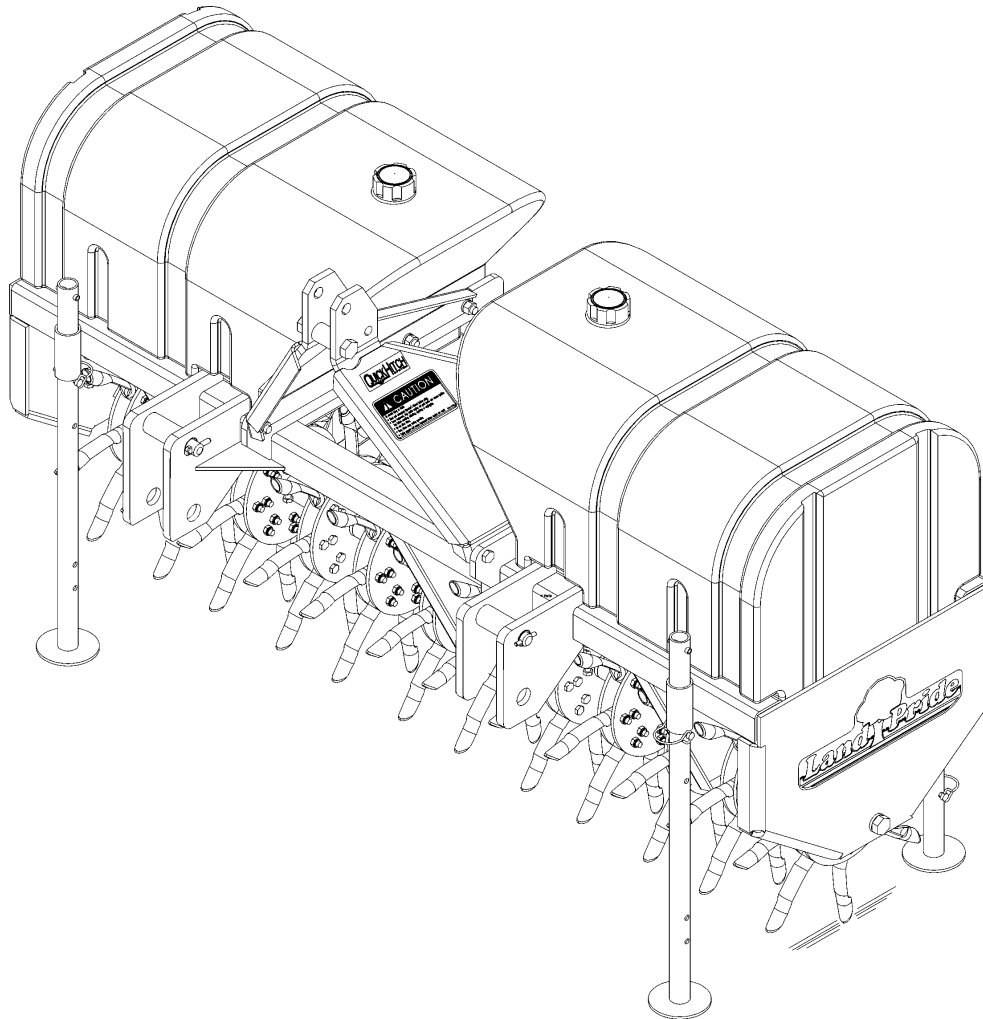


Core Aerators

CA2548, CA2560, CA2572



18984

325-020P Parts Manual



Read the Operator's Manual entirely. When you see this symbol, the subsequent instructions and warnings are serious - follow without exception. Your life and the lives of others depend on it!

© Copyright 2018 Printed 07/10/18

Cover photo may show optional equipment not supplied with standard unit.





Table of Contents

Section 1: Introduction.....4
Using This Manual.....4
Manual Replacement Information.....4
Manual Revisions.....4
Touch-up Paint.....4
Hardware Legend.....5
Replacement Hardware.....5
Serial Numbers.....5
Part Number Service Coding.....5

CA25 SERIES

Section 2: Frame.....6
Frame.....6
Hitch and Rotor.....6
Section 3: Rotors.....8
Rotor Assembly.....8
Section 4: Decals.....10
Decal Placement.....10
Land Pride Touch-up Paints.....12
Section 5: Options & Accessories.....14
Water Tanks.....14

Part Number Index.....16

© Copyright 2018. All rights reserved.

Land Pride provides this publication “as is” without warranty of any kind, either expressed or implied. While every precaution has been taken in the preparation of this manual, Land Pride assumes no responsibility for errors or omissions. Neither is any liability assumed for damages resulting from the use of the information contained herein. Land Pride reserves the right to revise and improve its products as it sees fit. This publication describes the state of this product at the time of its publication, and may not reflect the product in the future. The illustrations in this manual are not intended for safe and proper assembly or disassembly of equipment. The illustrations are intended for ordering parts only.

Land Pride is registered trademark.

All other brands and product names are trademarks or registered trademarks of their respective holders.

Printed in the United States of America.



Alphabetized Table of Contents

CA25 SERIES

D	
Decal Placement.....	10
F	
Frame, Hitch and Rotor.....	6
L	
Land Pride Touch-up Paints.....	12
R	
Rotor Assembly.....	8
W	
Water Tanks.....	14

General Information

Using This Manual

This manual is divided into sections. The first section contains General Information. The remaining sections divide the machine into segments (i.e. Frames, Drives, Hydraulics, etc.) which illustrate and list all parts. A Parts Number Index is located at the back of the book.

The Land Pride parts in this manual are specially designed for this machine and should be replaced with Land Pride parts only.

The information in this manual is current at time of printing. Some parts may change to assure top performance.

Right-hand and left-hand as used in this manual are determined by facing the direction the machine will travel while in use.

Below is an example of two facing pages from a parts manual. Familiarize yourself with the type of information contained on these pages.

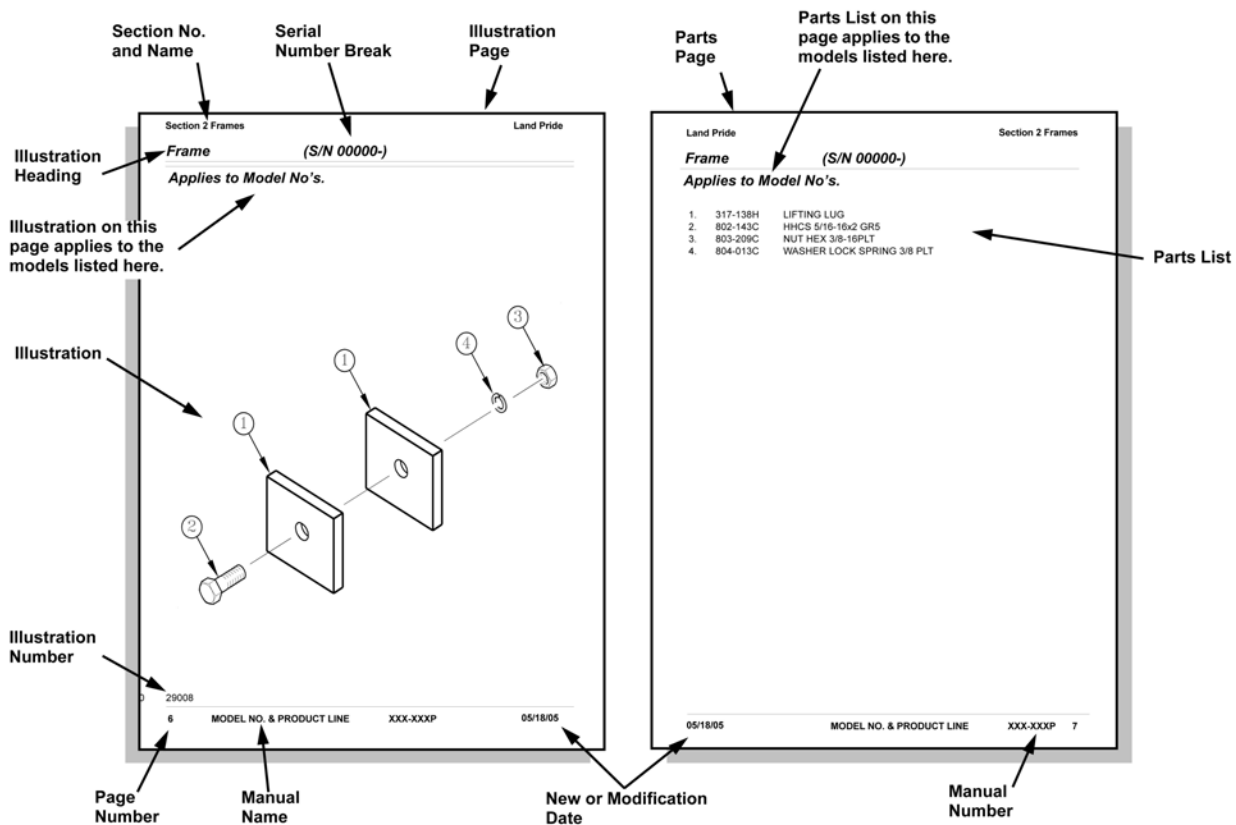
Manual Replacement Information

Replacement manuals are available. Refer to our website at www.landpride.com or e-mail us at lit@landpride.com for additional information. Our website continues to provide the most up-to-date manuals available.

Touch-up Paint

Repaint parts where paint is worn or scratched to prevent rust. Aerosol cans and touch-up bottles with brush applicator are available through your local dealer. Also available are quart and gallon size paints. Add QT or GL to end of the Aerosol P/N.

Land Pride color descriptions and part numbers are listed on the "Land Pride Touch-up Paints" page in the "Decals" section of this book. Color options vary by product.



General Information

Hardware Legend

AR	As Required
BLADE	Blade Bolt
C	Cap Screw
CP	Cotter Pin
CPHSSS	Cup Point Hex Socket Set Screw
CPSHSS	Cup Point Square Head Set Screw
CPSQHSS	Cup Point Square Head Set Screw
CRFCHMS3	Cross Recess Flat Countersunk Head Machine Screw
CRPHMS	Cross Recess Pan Head Machine Screw
CRPHTF	Cross Recess Pan Head Thread Forming
CRRHMS	Cross Recess Round Head Machine Screw
CRTHMS	Cross Recess Truss Head Machine Screw
CSNB	Countersunk Square Neck Bolt
FHMS	Flat Head Machine Screw
FTC	Full Thread Cap Screw
H	Hex Nut
HCLN	Hex Center Lock Nut
HFLCS	Hex Flange Lock Cap Screw
HFS	Hex Flange Screw
HFSLN	Hex Flange Serrated Lock Nut
HFSS	Hex Flange Serrated Screw
HHCS	Hex Head Cap Screw or Metric Bolt
HSBHCS	Hex Socket Button Head Cap Screw
HSFCHCS	Hex Socket Flat Countersunk Head Cap Screw
HSHCS	Hex Socket Head Cap Screw
HSSS	Hex Socket Head Screw
HTLN	Hex Top Lock Nut
HWHCS	Hex Washer Head Cap Screw

HWHMS	Hex Washer Head Machine Screw
HXBHCS	Hex Socket Button Head Cap Screw
J	Hex Jam Nut
JIC	37 Degree Tapered Thread
L	Helical Spring Lock Washer
LUG	Lug Bolt
NFC	National Fine Cap Screw
NPSM	National Pipe Straight Mechanical
NPTF	National Pipe Taper Fuel
P	Wide Plain Washer
PHMS	Pan Head Machine Screw
PLOW	Plow Bolt
RHMS	Round Head Machine Screw
RHSNB	Round Head Square Neck Bolt
SCREW LEVELING	Leveling Screw
SCREW THUMB	Thumb Screw
SCREW WELD	Weld Screw
SFCHMS	Slotted Flat Countersunk Head Machine Screw
SFHMS	Slotted Fillister Head Machine Screw
SP	Special
SP SCREW	Special Screw
SOHSS	Square Head Set Screw
SRHMS	Slotted Round Head Machine Screw
SSS	Socket Set Screw
STCS	Self Tapping Cap Screw
STHMS	Slotted Truss Head Machine Screw
WHEEL	Wheel Studs and Hub Long Bolts
WING	Wing Bolt

Replacement Hardware

The **Hardware Legend** above lists hardware abbreviations used in the parts list. All bolts and nuts are Grade 5 unless otherwise noted. The use of improper grades of hardware can result in personal injury, damage to equipment, or loss of property.

Colored Replacement Parts

Land Pride offers replacement parts in factory standard colors and also on select models in Green, Orange, Red and Blue. Because of the variety of colors available, special attention must be given to the part number to prevent ordering the wrong replacement part.

A suffix number corresponding to one of the colors below must be added at the end of Land Pride's part number when ordering a replacement part with that color.

81 Green 83 Red
82 Orange 84 Blue

For example, if you are ordering a replacement part with part number 555-555C and the part you need is red, then add the suffix 83 to the end of the number to make the part number read 555-555C83. Parts ordered without a suffix number will be supplied in factory standard colors.

Black Replacement Parts

Some parts are factory standard black and some must be special ordered black. If your part is special ordered black, a second part number with the additional suffix number 85 on the end will be available. In this situation you must order that part with the suffix number for it to be black. Parts that are factory standard black will not have the suffix number.

Part Number Service Coding

Within the parts list some part numbers are coded for revisions and interchangeability. See notations in revision column.

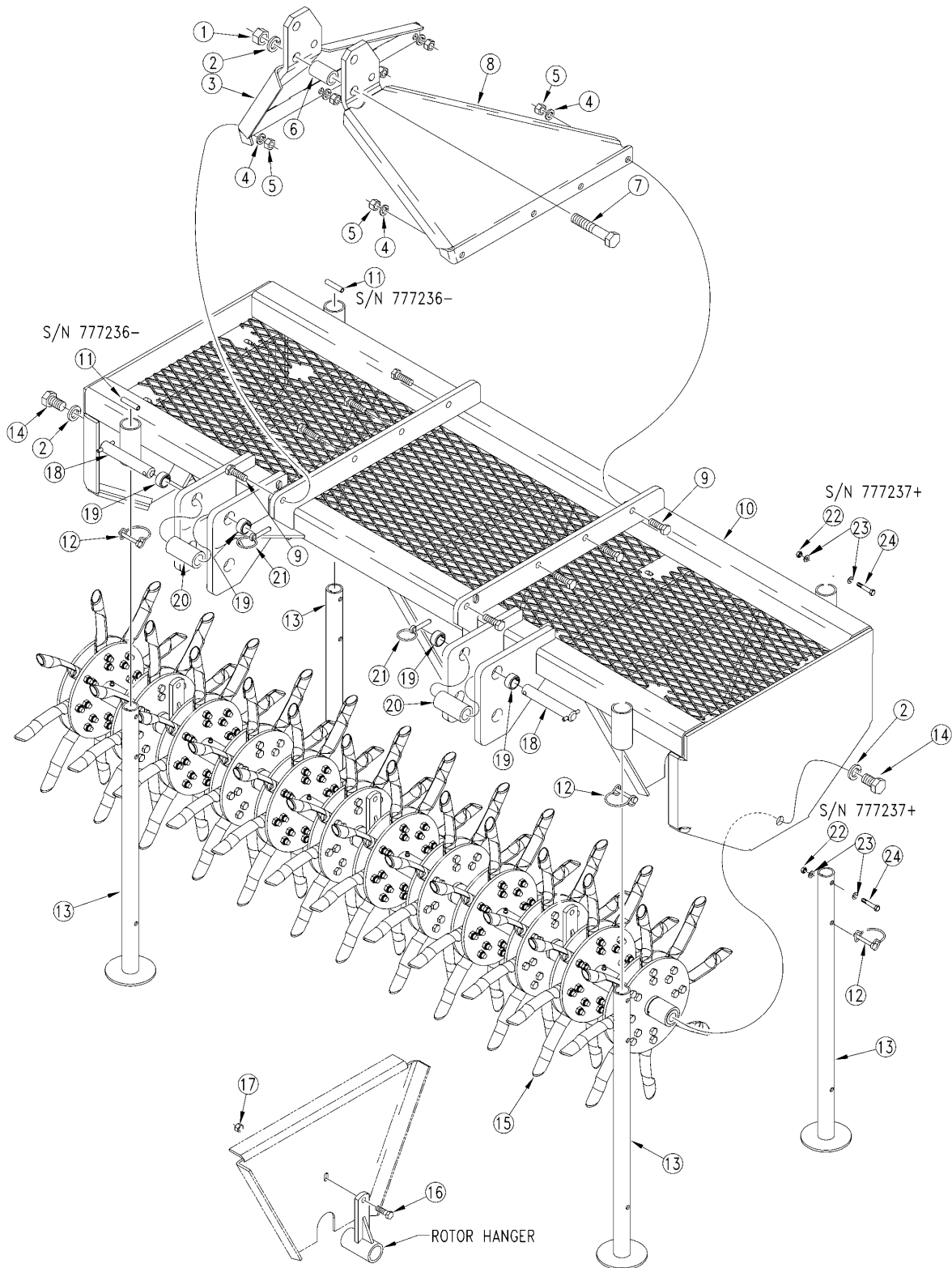
Serial Numbers

Always use the serial and model number when ordering parts. Refer to the Operator's Manual for serial number plate location.

- (S/N 20001+) Includes serial numbers 20001 and above (to the latest number)
- (S/N 10001 to 20000) Includes serial numbers between and including 10001 and 20000
- (S/N 10000-) Includes serial numbers 10000 and below (to the earliest number)

Frame, Hitch and Rotor

Applies to CA2548, CA2560, CA2572



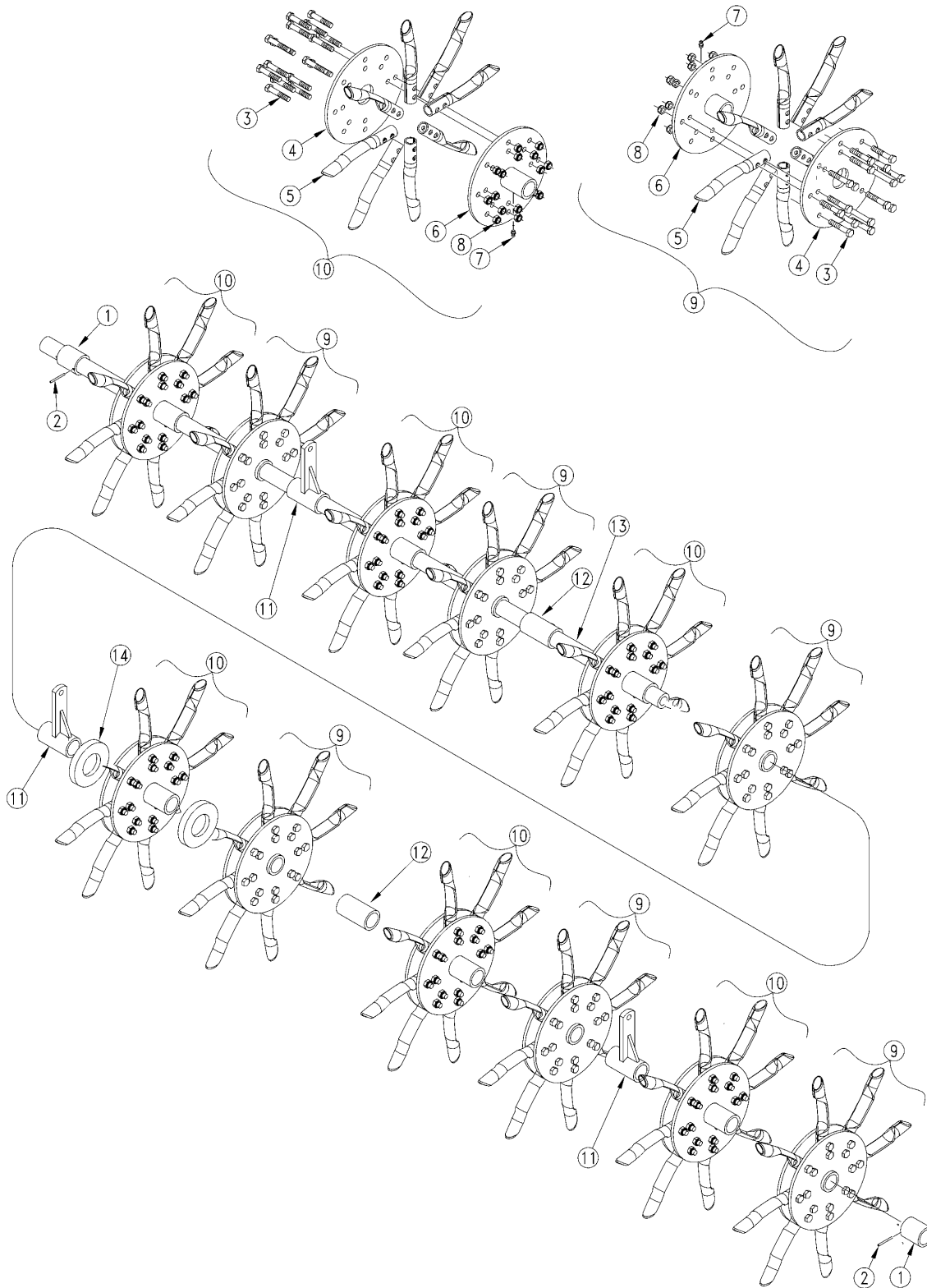
19025

Frame, Hitch and Rotor**Applies to CA2548, CA2560, CA2572**

Ref	Part No.	Part Description	Comments	Revision
	dwg19025	Drawing Image Number		
1.	803-027C	NUT HEX 3/4-10 PLT		
2.	804-023C	WASHER LOCK SPRING 3/4 PLT		
3.	325-008E	RH UPPER HITCH WELD		
3.	325-008E82	RH UPPER HITCH WELD ORANGE		
4.	804-015C	WASHER LOCK SPRING 1/2 PLT		
5.	803-020C	NUT HEX 1/2-13 PLT		
6.	308-400D	SPACER 1 1/4OD X 25/32ID X 2LG		
7.	802-068C	HHCS 3/4-10X4 GR5		
8.	325-007E	LH UPPER HITCH WELD		
8.	325-007E82	LH UPPER HITCH WELD ORANGE		
9.	802-091C	HHCS 1/2-13X1 1/2 GR5		
10.	325-011H	48 AERATOR FRAME WELDMENT	OB	
10.	325-011H82	48 AERATOR FRAME WMT ORANGE	OB	
10.	325-014H	60 AERATOR FRAME WELDMENT	Shown	
10.	325-014H82	60 AERATOR FRAME WMT ORANGE		
10.	325-004H	72 AERATOR FRAME WELDMENT		
10.	325-004H82	72 AERATOR FRAME WMT ORANGE		
11.	805-161C	PIN ROLL 3/8 X 1 3/4 LG PLT	S/N 777236-	
12.	805-065C	PIN WIRE RETAINING 1/4 X 1 3/4		
13.	300-171H	SUPPORT STAND WELDMENT RB35/25		
13.	300-171H82	SPRT STND LR&RB15/25/35 ORANGE		
14.	802-573C	HHCS 3/4-10X1 1/4 GR5		
15.	325-010K	48 AERATOR ROTOR ASSY		
15.	325-013K	60 AERATOR ROTOR ASSY	SHOWN	
15.	325-003K	72 AERATOR ROTOR ASSY		
16.	802-079C	HHCS 3/8-16X1 1/4 GR5		
17.	803-209C	NUT FLANGE LOCK 3/8-16 PLT		
18.	303-017S	LOWER HITCH PIN 7/8 X 5 5/8		
19.	890-144C	BUSHING 1 1/8 X 7/8 X 5/8	S/N 617620-	
20.	325-017D	QH ADAPTOR TUBE		
21.	805-015C	PIN LYNCH 5/16 X 1 3/4		
22.	803-084C	NUT HEX NYLOCK 5/16-18 PLT	S/N 777237+	
23.	804-036C	WASHER FLAT 5/16 SAE PLT	S/N 777237+	
24.	802-013C	HHCS 5/16-18X1 3/4 GR5	S/N 777237+	

Rotor Assembly

Applies to CA2548, CA2560, CA2572



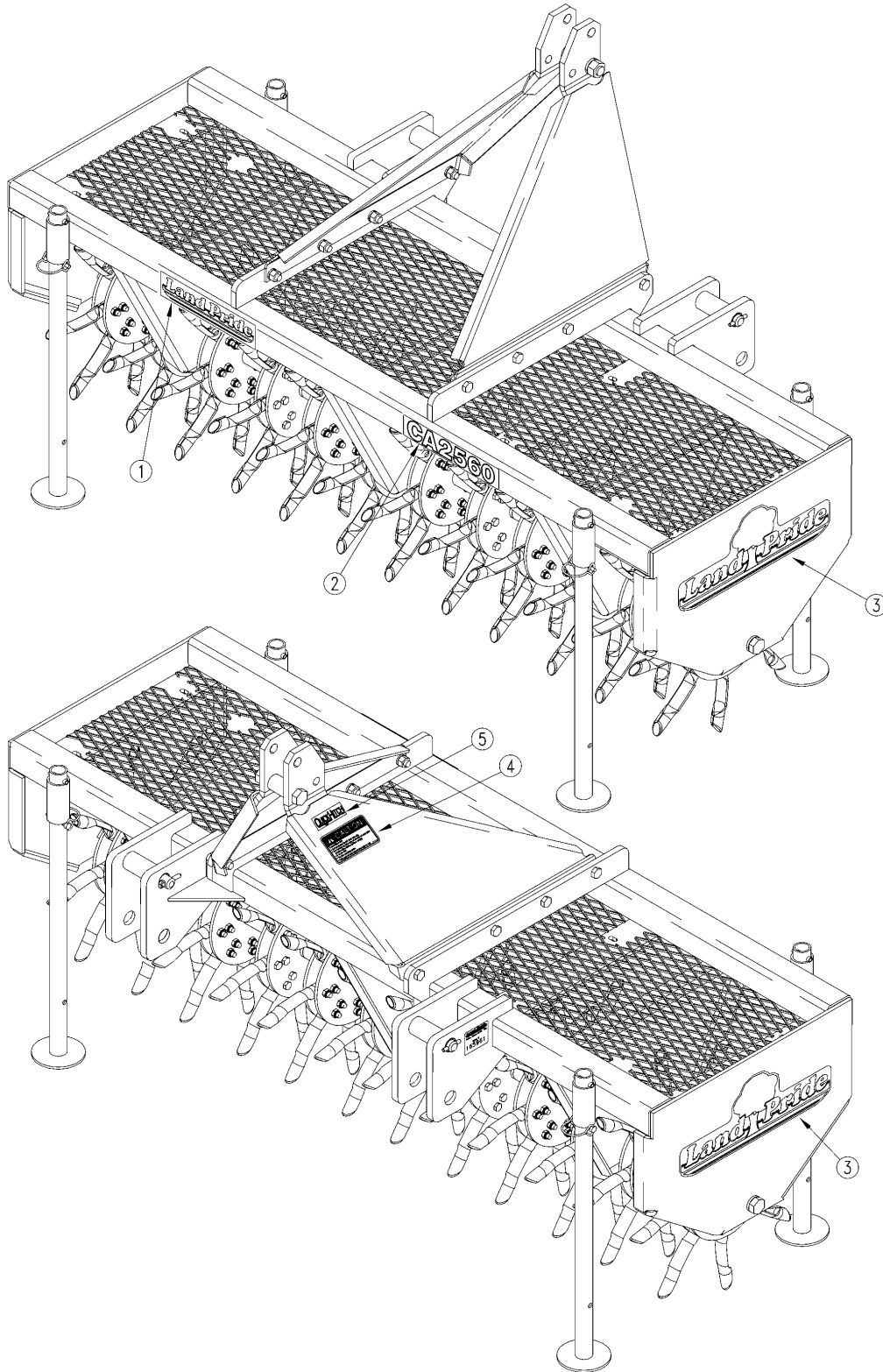
19026

Rotor Assembly**Applies to CA2548, CA2560, CA2572**

Ref	Part No.	Part Description	Comments	Revision
	dwg19026	Drawing Image Number		
1.	325-005D	SHANK MTG. SPACER SH.		
2.	805-136C	PIN ROLL 1/8 X 1 1/4 LG. PLT		
3.	802-621C	HHCS 3/8-24 X 2 GR5 PLT		
4.	325-001D	SHANK MOUNT PLATE		
5.	820-231C	3/4 HARDEN AERATOR SPOON	CA2548 64 Total, CA2560 96 Total & CA2572 96 Total	
6.	325-016H	SINGLE HUB SHANK WELDMENT		
7.	800-080C	GREASE ZERK 1/4-28 THD FORMING		
8.	803-305C	NUT HEX NYLOCK 3/8-24 PLT		
9.	325-018S	SINGLE HUB WHEEL SUB LH		
10.	325-017S	SINGLE HUB WHEEL SUB RH		
11.	325-015H	ROTOR HANGER BEARING 60	CA2560 (SHOWN)	
11.	325-006H	ROTOR HANGER BEARING	CA2548 & CA2572	
12.	325-029D	SHANK MTG. SPACER 60 SHORT	CA2560	
12.	325-028D	SHANK MTG. SPACER LG. 48-72	CA2548 & CA2572	
13.	325-021D	48 ROTOR SHAFT		
13.	325-025D	60 ROTOR SHAFT	SHOWN	
13.	325-006D	72 ROTOR SHAFT		
14.	804-039C	WASHER FLAT 1 1/4 SAE PLT	SN 338123+ 22 Ea CA2572, 16 Ea CA2560 & 10 Ea CA2548	

Decal Placement

Applies to CA2548, CA2560, CA2572



19027

Decal Placement**Applies to CA2548, CA2560, CA2572**

Ref	Part No.	Part Description	Comments	Revision
	Dwg 19027	Drawing Image Number		
1.	818-897C	RPBY 848-159C	Beige Unit	
1.	848-159C	DECAL LANDPRIDE 10" BROWN/GOLD	Orange Unit	
2.	838-254C	DECAL CA2548	Beige Unit	
2.	848-259C	DECAL CA2548-GOLD	Orange Unit	
2.	838-255C	DECAL CA2560-GOLD		
2.	848-191C	RPBY 838-255C	Obsolete	
2.	838-256C	DECAL CA2572-GOLD		
2.	848-192C	RPBY 838-256C	Obsolete	
3.	818-893C	RPBY 838-964C	Beige Unit	
3.	838-964C	DECAL LP 16" W/TREE BROWN/GOLD	Orange Unit	
4.	818-719C	DECAL CAUTION GENERAL INSTR		
5.	838-517C	DECAL QUICK HITCH SYSTEM		

Land Pride Touch-up Paints

Applies to CA2548, CA2560, CA2572

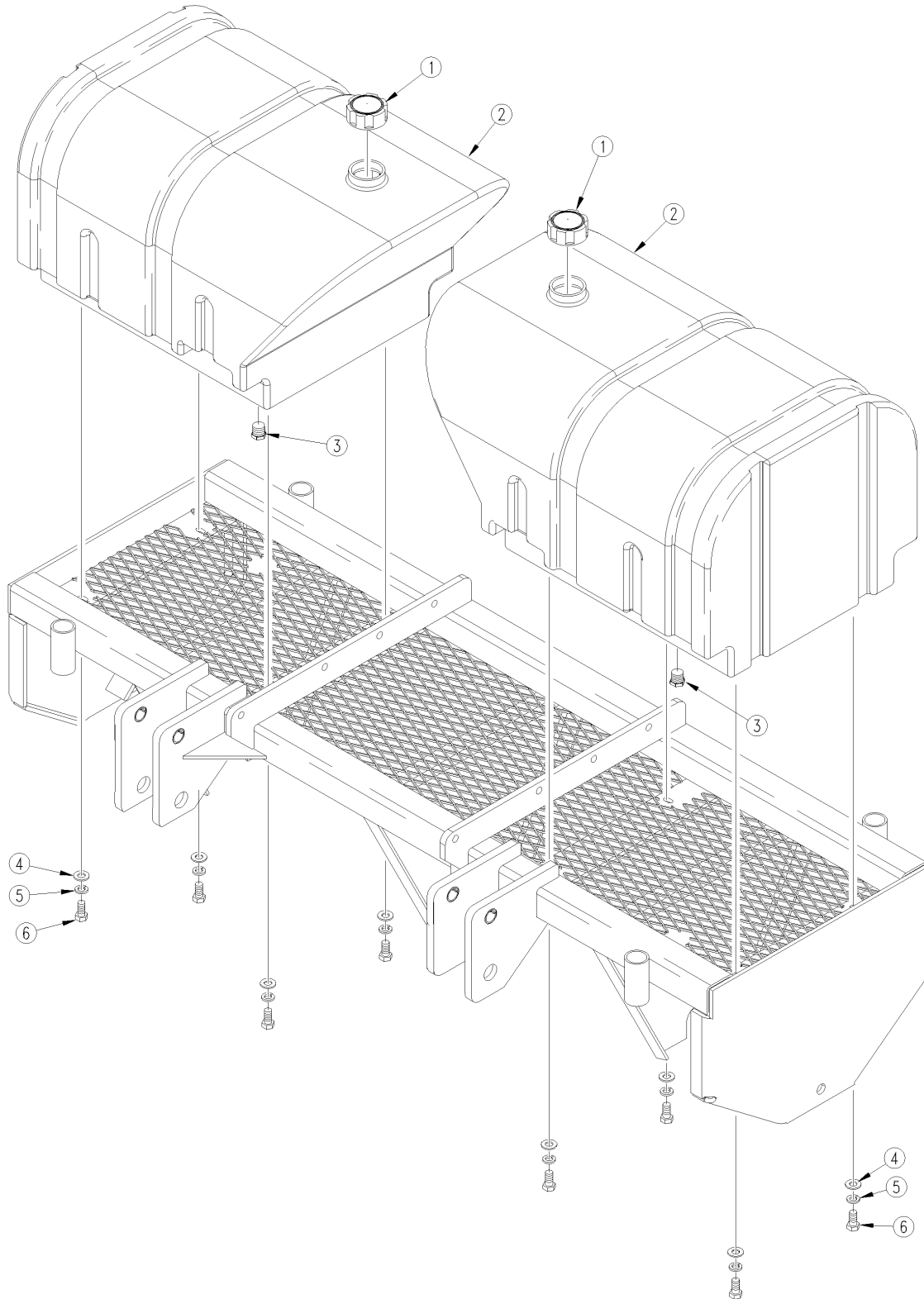
No diagram associated with this Parts List

Land Pride Touch-up Paints**Applies to CA2548, CA2560, CA2572**

Ref	Part No.	Part Description	Comments	Revision
1.	821-011C	LP BEIGE SPRAY CAN	Spray can	
1.	821-070C	GLOSS BLACK SPRAY CAN	Spray can	
1.	821-054C	MED. RED SPRAY TRCK/CTR	Spray can	
1.	821-058C	GREEN SPRAY CUTTERS	Spray can	
1.	821-066C	ORANGE SPRAY CAN	Spray can	
1.	821-067C	BLUE SPRAY CAN	Spray can	
1.	821-080C	PAINT ALUMINUM/ZINC SPRAY CAN	Spray can	
2.	821-011CTU	LP BEIGE TOUCH-UP 5OZ	Touch-up bottle with brush	
2.	821-070CTU	GLOSS BLACK TOUCH-UP 5OZ	Touch-up bottle with brush	
2.	821-054CTU	MED RED TOUCH-UP 5OZ	Touch-up bottle with brush	
2.	821-058CTU	GREEN TOUCH-UP 5OZ	Touch-up bottle with brush	
2.	821-066CTU	ORANGE TOUCH-UP 5OZ	Touch-up bottle with brush	
2.	821-067CTU	BLUE TOUCH-UP 5OZ	Touch-up bottle with brush	
2.	821-080CTU	PAINT ALUMINUM/ZINC TOUCH UP	Touch-up bottle with brush	
3.	821-011CQT	LP BEIGE QUART	Quart can	
3.	821-070CQT	GLOSS BLACK QUART	Quart can	
3.	821-054CQT	MED RED QUART	Quart can	
3.	821-058CQT	GREEN QUART	Quart can	
3.	821-066CQT	ORANGE QUART	Quart can	
3.	821-067CQT	BLUE QUART	Quart can	
3.	821-080CQT	PAINT ALUMINUM/ZINC QUART	Quart can	
4.	821-011CGL	LP BEIGE GALLON	Gallon can	
4.	821-070CGL	GLOSS BLACK GALLON	Gallon can	
4.	821-054CGL	MED RED GALLON	Gallon can	
4.	821-058CGL	GREEN GALLON	Gallon can	
4.	821-066CGL	ORANGE GALLON	Gallon can	
4.	821-067CGL	BLUE GALLON	Gallon can	
4.	821-080CGL	PAINT ALUMINUM/ZINC GALLON	Gallon can	

Water Tanks

Applies to CA2560, CA2572



19028

Water Tanks

Applies to CA2560, CA2572

Ref	Part No.	Part Description	Comments	Revision
	dwg19028	Drawing Image Number		
	325-026A	CA/CR2560 WEIGHT TANK BUNDLE		
	325-025A	CA/CR2572 WEIGHT TANK BUNDLE		
1.	817-439C	KELCH H63500B TOP VENT CAP		
2.	817-435C	CA2560 WATER TANK	SHOWN	
2.	817-434C	CA2572 WATER TANK		
3.	817-440C	PLUG DRAIN 1/2-14 NPT		
4.	804-011C	WASHER FLAT 3/8 USS PLT		
5.	804-013C	WASHER LOCK SPRING 3/8 PLT		
6.	802-017C	HHCS 3/8-16X1 GR5		



Part Number Index

The Part Number Index is a numeric index of all part numbers included in this manual. The index shows what page(s) the part is used on.

Part Number	Page	Part Number	Page
300-171H	7	821-054CTU	13
300-171H82	7	821-058C	13
303-017S	7	821-058CGL	13
308-400D	7	821-058CQT	13
325-001D	9	821-058CTU	13
325-003K	7	821-066C	13
325-004H	7	821-066CGL	13
325-004H82	7	821-066CQT	13
325-005D	9	821-066CTU	13
325-006D	9	821-067C	13
325-006H	9	821-067CGL	13
325-007E	7	821-067CQT	13
325-007E82	7	821-067CTU	13
325-008E	7	821-070C	13
325-008E82	7	821-070CGL	13
325-010K	7	821-070CQT	13
325-011H	7	821-070CTU	13
325-011H82	7	821-080C	13
325-013K	7	821-080CGL	13
325-014H	7	821-080CQT	13
325-014H82	7	821-080CTU	13
325-015H	9	838-254C	11
325-016H	9	838-255C	11
325-017D	7	838-256C	11
325-017S	9	838-517C	11
325-018S	9	838-964C	11
325-021D	9	848-159C	11
325-025A	15	848-191C	11
325-025D	9	848-192C	11
325-026A	15	848-259C	11
325-028D	9	890-144C	7
325-029D	9	Dwg 19027	11
800-080C	9	dwg19025	7
802-013C	7	dwg19026	9
802-017C	15	dwg19028	15
802-068C	7		
802-079C	7		
802-091C	7		
802-573C	7		
802-621C	9		
803-020C	7		
803-027C	7		
803-084C	7		
803-209C	7		
803-305C	9		
804-011C	15		
804-013C	15		
804-015C	7		
804-023C	7		
804-036C	7		
804-039C	9		
805-015C	7		
805-065C	7		
805-136C	9		
805-161C	7		
817-434C	15		
817-435C	15		
817-439C	15		
817-440C	15		
818-719C	11		
818-893C	11		
818-897C	11		
820-231C	9		
821-011C	13		
821-011CGL	13		
821-011CQT	13		
821-011CTU	13		
821-054C	13		
821-054CGL	13		
821-054CQT	13		

This Page Intentionally Left Blank



Great Plains Manufacturing, Inc.

Corporate Office: P.O. Box 5060
Salina, Kansas 67402-5060 USA

www.landpride.com
