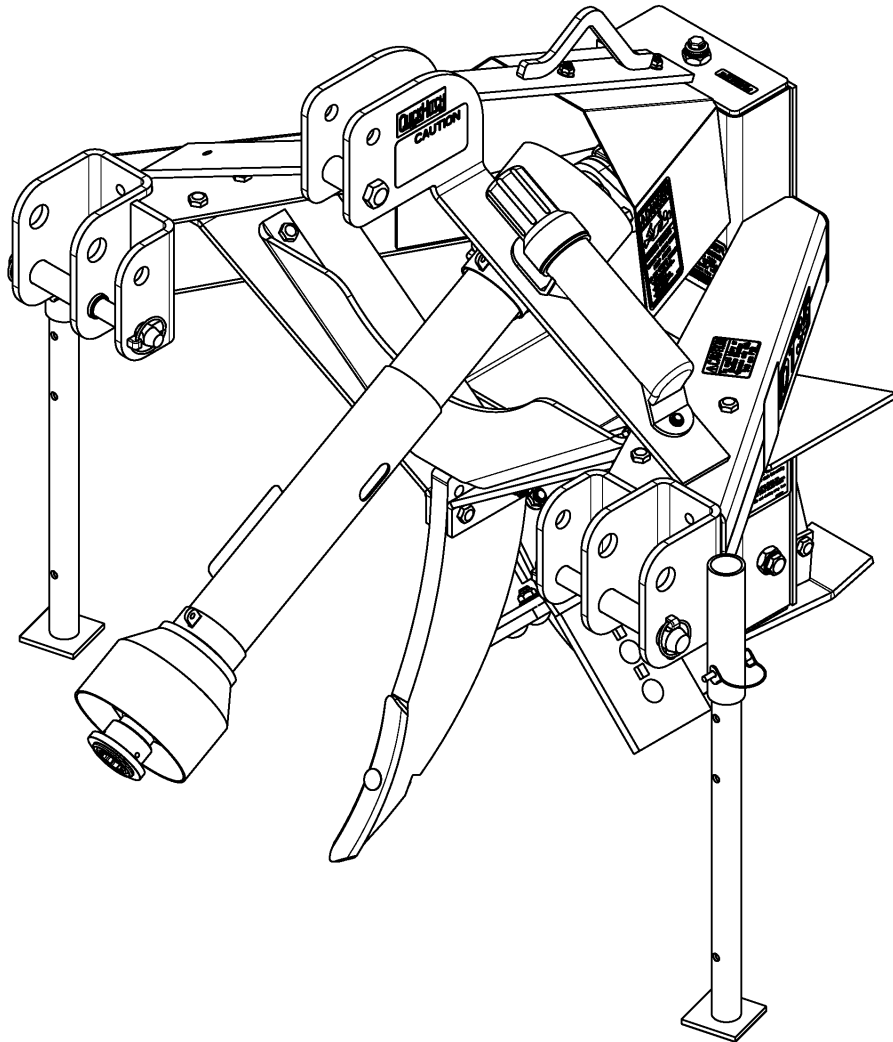


Ditcher

DT35



33328

324-099P
Parts Manual



Read the Operator's Manual entirely. When you see this symbol, the subsequent instructions and warnings are serious - follow without exception. Your life and the lives of others depend on it!

© Copyright 2018 Printed 07/10/18

Cover photo may show optional equipment not supplied with standard unit.





Table of Contents

Section 1: Introduction.....	4
Using This Manual.....	4
Manual Replacement Information.....	4
Manual Revisions.....	4
Touch-up Paint.....	4
Hardware Legend.....	5
Replacement Hardware.....	5
Serial Numbers.....	5
Part Number Service Coding.....	5
Section 2: Frame.....	6
Ditcher Frame DT35.....	6
Ripper Components.....	8
Skid Shoe Components.....	10
Section 3: Drive.....	12
Drive Assembly.....	12
Impeller Components.....	14
Section 4: Driveline.....	16
Driveline (826-717C).....	16
Section 5: Decals.....	18
Decal Placement.....	18
Land Pride Touch-up Paints.....	20
Part Number Index.....	22

© Copyright 2018. All rights reserved.

Land Pride provides this publication “as is” without warranty of any kind, either expressed or implied. While every precaution has been taken in the preparation of this manual, Land Pride assumes no responsibility for errors or omissions. Neither is any liability assumed for damages resulting from the use of the information contained herein. Land Pride reserves the right to revise and improve its products as it sees fit. This publication describes the state of this product at the time of its publication, and may not reflect the product in the future. The illustrations in this manual are not intended for safe and proper assembly or disassembly of equipment. The illustrations are intended for ordering parts only.

Land Pride is registered trademark.

All other brands and product names are trademarks or registered trademarks of their respective holders.

Printed in the United States of America.



Alphabetized Table of Contents

D

Decal Placement.....	18
Ditcher Frame DT35.....	6
Drive Assembly.....	12
Driveline (826-717C).....	16

I

Impeller Components.....	14
--------------------------	----

L

Land Pride Touch-up Paints.....	20
---------------------------------	----

R

Ripper Components.....	8
------------------------	---

S

Skid Shoe Components.....	10
---------------------------	----

General Information

Using This Manual

This manual is divided into sections. The first section contains General Information. The remaining sections divide the machine into segments (i.e. Frames, Drives, Hydraulics, etc.) which illustrate and list all parts. A Parts Number Index is located at the back of the book.

The Land Pride parts in this manual are specially designed for this machine and should be replaced with Land Pride parts only.

The information in this manual is current at time of printing. Some parts may change to assure top performance.

Right-hand and left-hand as used in this manual are determined by facing the direction the machine will travel while in use.

Below is an example of two facing pages from a parts manual. Familiarize yourself with the type of information contained on these pages.

Manual Replacement Information

Replacement manuals are available. Refer to our website at www.landpride.com or e-mail us at lit@landpride.com for additional information. Our website continues to provide the most up-to-date manuals available.

Touch-up Paint

Repaint parts where paint is worn or scratched to prevent rust. Aerosol cans and touch-up bottles with brush applicator are available through your local dealer. Also available are quart and gallon size paints. Add QT or GL to end of the Aerosol P/N.

Land Pride color descriptions and part numbers are listed on the "Land Pride Touch-up Paints" page in the "Decals" section of this book. Color options vary by product.



General Information

Hardware Legend

AR	As Required
BLADE	Blade Bolt
C	Cap Screw
CP	Cotter Pin
CPHSSS	Cup Point Hex Socket Set Screw
CPSHSS	Cup Point Square Head Set Screw
CPSQHSS	Cup Point Square Head Set Screw
CRFCHMS3	Cross Recess Flat Countersunk Head Machine Screw
CRPHMS	Cross Recess Pan Head Machine Screw
CRPHTF	Cross Recess Pan Head Thread Forming
CRRHMS	Cross Recess Round Head Machine Screw
CRTHMS	Cross Recess Truss Head Machine Screw
CSNB	Countersunk Square Neck Bolt
FHMS	Flat Head Machine Screw
FTC	Full Thread Cap Screw
H	Hex Nut
HCLN	Hex Center Lock Nut
HFLCS	Hex Flange Lock Cap Screw
HFS	Hex Flange Screw
HFSLN	Hex Flange Serrated Lock Nut
HFSS	Hex Flange Serrated Screw
HHCS	Hex Head Cap Screw or Metric Bolt
HSBHCS	Hex Socket Button Head Cap Screw
HSFCHCS	Hex Socket Flat Countersunk Head Cap Screw
HSHCS	Hex Socket Head Cap Screw
HSSS	Hex Socket Head Screw
HTLN	Hex Top Lock Nut
HWHCS	Hex Washer Head Cap Screw

HWHMS	Hex Washer Head Machine Screw
HXBHCS	Hex Socket Button Head Cap Screw
J	Hex Jam Nut
JIC	37 Degree Tapered Thread
L	Helical Spring Lock Washer
LUG	Lug Bolt
NFC	National Fine Cap Screw
NPSM	National Pipe Straight Mechanical
NPTF	National Pipe Taper Fuel
P	Wide Plain Washer
PHMS	Pan Head Machine Screw
PLOW	Plow Bolt
RHMS	Round Head Machine Screw
RHSNB	Round Head Square Neck Bolt
SCREW LEVELING	Leveling Screw
SCREW THUMB	Thumb Screw
SCREW WELD	Weld Screw
SFCHMS	Slotted Flat Countersunk Head Machine Screw
SFHMS	Slotted Fillister Head Machine Screw
SP	Special
SP SCREW	Special Screw
SOHSS	Square Head Set Screw
SRHMS	Slotted Round Head Machine Screw
SSS	Socket Set Screw
STCS	Self Tapping Cap Screw
STHMS	Slotted Truss Head Machine Screw
WHEEL	Wheel Studs and Hub Long Bolts
WING	Wing Bolt

Replacement Hardware

The **Hardware Legend** above lists hardware abbreviations used in the parts list. All bolts and nuts are Grade 5 unless otherwise noted. The use of improper grades of hardware can result in personal injury, damage to equipment, or loss of property.

Colored Replacement Parts

Land Pride offers replacement parts in factory standard colors and also on select models in Green, Orange, Red and Blue. Because of the variety of colors available, special attention must be given to the part number to prevent ordering the wrong replacement part.

A suffix number corresponding to one of the colors below must be added at the end of Land Pride's part number when ordering a replacement part with that color.

81 Green 83 Red
82 Orange 84 Blue

For example, if you are ordering a replacement part with part number 555-555C and the part you need is red, then add the suffix 83 to the end of the number to make the part number read 555-555C83. Parts ordered without a suffix number will be supplied in factory standard colors.

Black Replacement Parts

Some parts are factory standard black and some must be special ordered black. If your part is special ordered black, a second part number with the additional suffix number 85 on the end will be available. In this situation you must order that part with the suffix number for it to be black. Parts that are factory standard black will not have the suffix number.

Part Number Service Coding

Within the parts list some part numbers are coded for revisions and interchangeability. See notations in revision column.

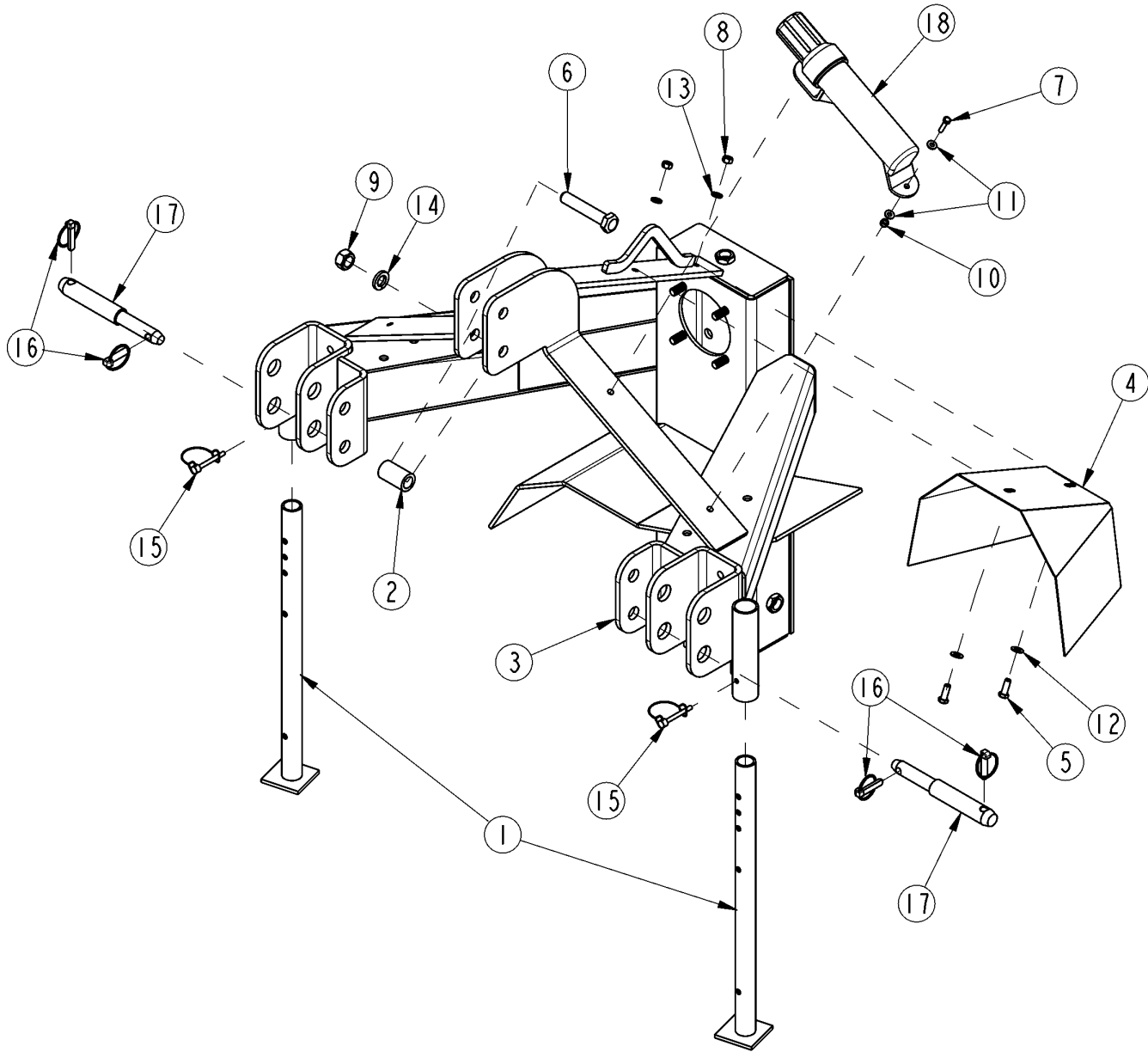
Serial Numbers

Always use the serial and model number when ordering parts. Refer to the Operator's Manual for serial number plate location.

- | | |
|----------------------|--|
| (S/N 20001+) | Includes serial numbers 20001 and above (to the latest number) |
| (S/N 10001 to 20000) | Includes serial numbers between and including 10001 and 20000 |
| (S/N 10000-) | Includes serial numbers 10000 and below (to the earliest number) |

Ditcher Frame DT35

Applies to DT35



33329

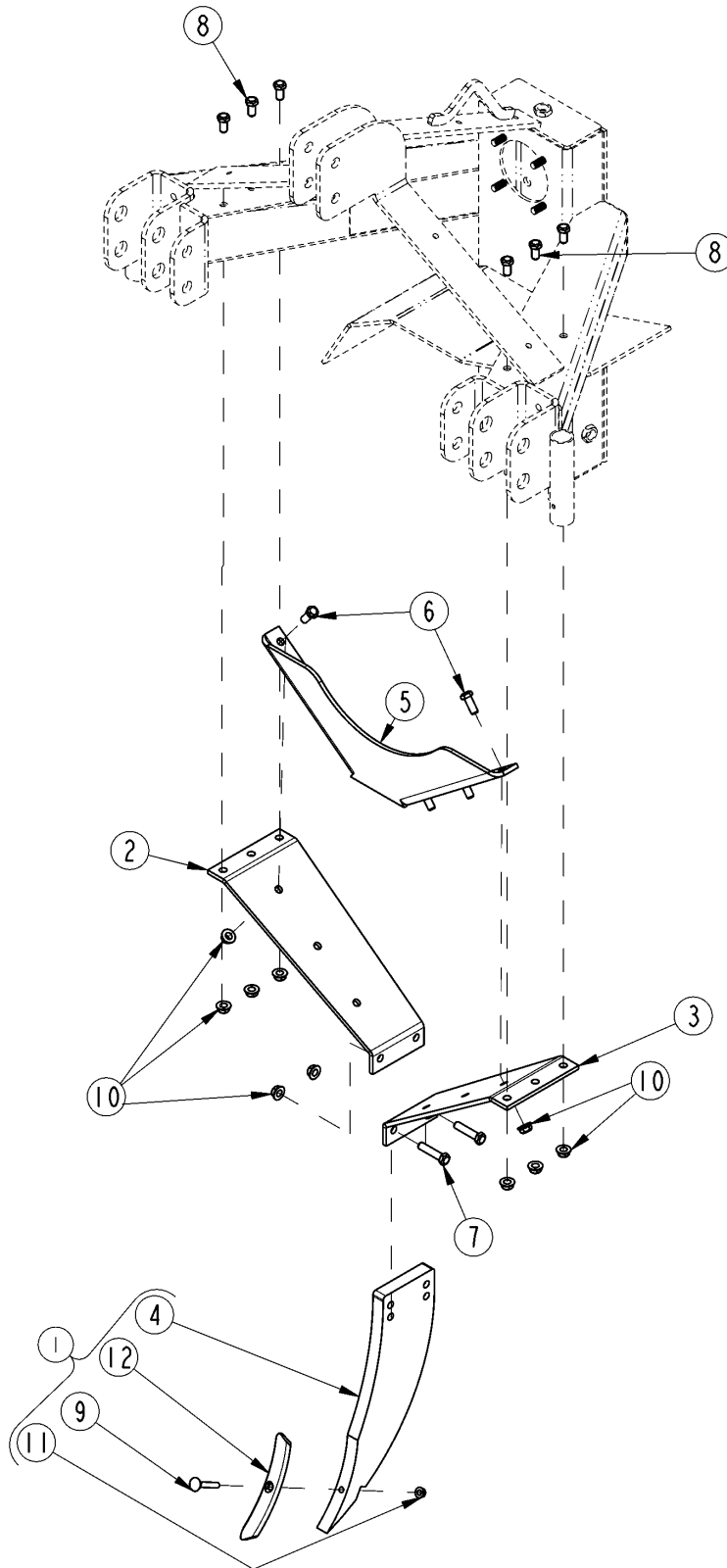
Ditcher Frame DT35

Applies to DT35

Ref	Part No.	Part Description	Comments	Revision
	dwg33329	Drawing Image Number		
1.	311-101H	PARKING STAND RTA25/35		
1.	311-101H82	PARKING STAND RTA25/35 ORANGE		
1.	311-101H83	PARKING STAND RTA25/35 RED		
2.	322-009D	SPACER 1 1/4ODX7/32WLX2.12LG		
3.	324-093H	FRAME WELD DT35		
3.	324-093H82	FRAME WELD DT35 ORANGE		
3.	324-093H83	FRAME WELD DT35 RED		
4.	324-154D	SHIELD SHEAR BOLT		
5.	802-017C	HHCS 3/8-16X1 GR5		
6.	802-068C	HHCS 3/4-10X4 GR5		
7.	802-224C	HHCS 1/4-20X1 1/4 GR5		
8.	803-014C	NUT HEX 3/8-16 PLT		
9.	803-027C	NUT HEX 3/4-10 PLT		
10.	803-255C	NUT HEX NYLOCK 1/4-20		
11.	804-007C	WASHER FLAT 1/4 SAE PLT		
12.	804-012C	WASHER FLAT 3/8 SAE PLT		
13.	804-013C	WASHER LOCK SPRING 3/8 PLT		
14.	804-023C	WASHER LOCK SPRING 3/4 PLT		
15.	805-065C	PIN WIRE RETAINING 1/4 X 1 3/4		
16.	805-103C	PIN LINCH 7/16 X 1 3/4		
17.	805-407C	PIN HITCH CAT. I-II		
18.	816-504C	MANUAL STORAGE CONTAINER		

Ripper Components

Applies to DT35



33331

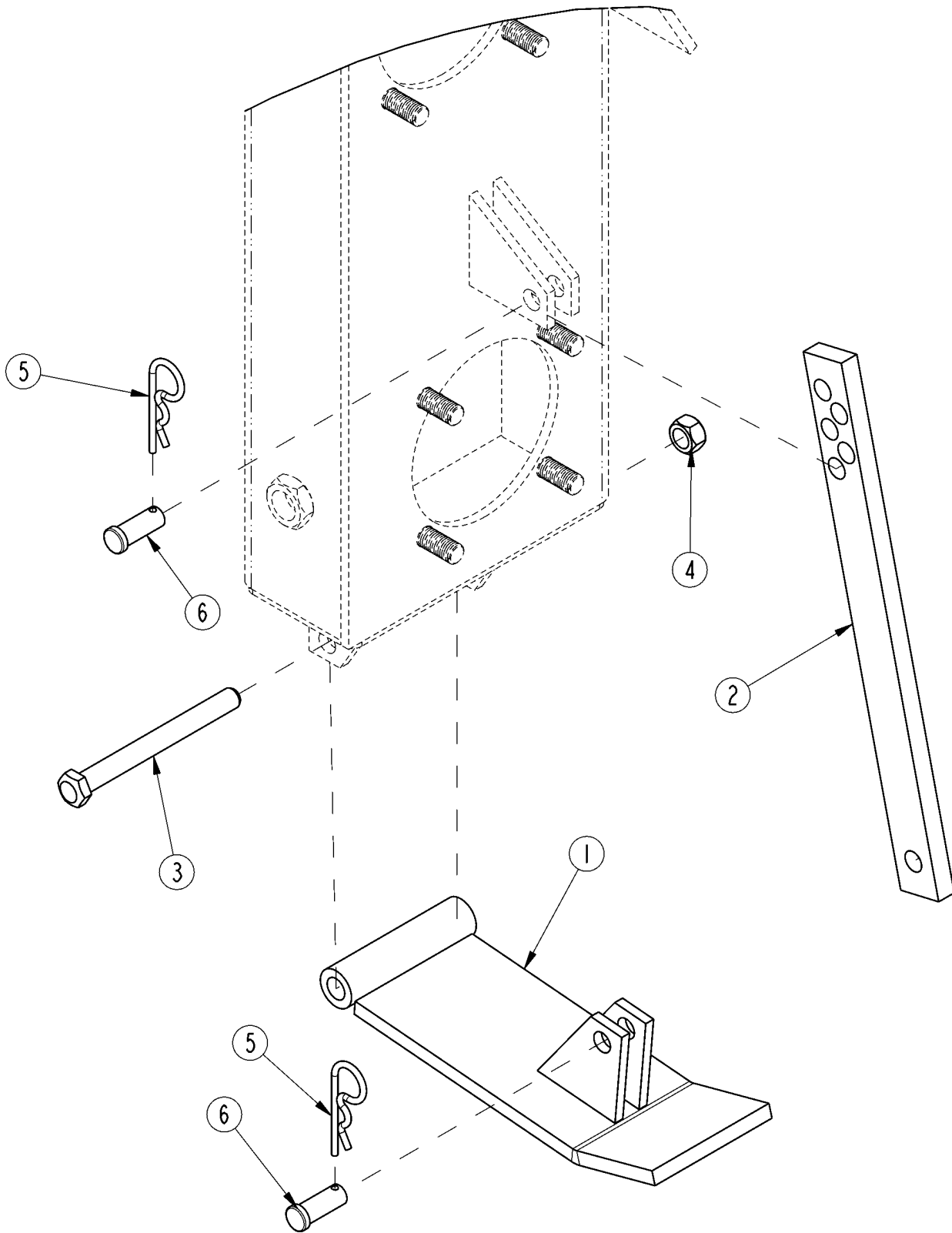
Ripper Components

Applies to DT35

Ref	Part No.	Part Description	Comments	Revision
	dwg33331	Drawing Image Number		
1.	324-097K	SHANK ASSY		
2.	324-150D	RIPPER MNT RH		
3.	324-151D	RIPPER MNT LH		
4.	324-152D	RIPPER SHANK		
5.	324-162D	RIPPER ANCHOR		
6.	802-034C	HHCS 1/2-13X1 1/4 GR5		
7.	802-038C	HHCS 1/2-13X2 1/4 GR5		
8.	802-258C	HHCS 1/2-13X1 GR5		
9.	802-682C	PLOW 3/8-16X2 1/2 GR5 BLK		
10.	803-169C	NUT HEX FLG LOCK 1/2-13 PLT		
11.	803-209C	NUT FLANGE LOCK 3/8-16 PLT		
12.	820-008C	DANISH TINE TOOTH 1 1/2 WIDE		

Skid Shoe Components

Applies to DT35



33332

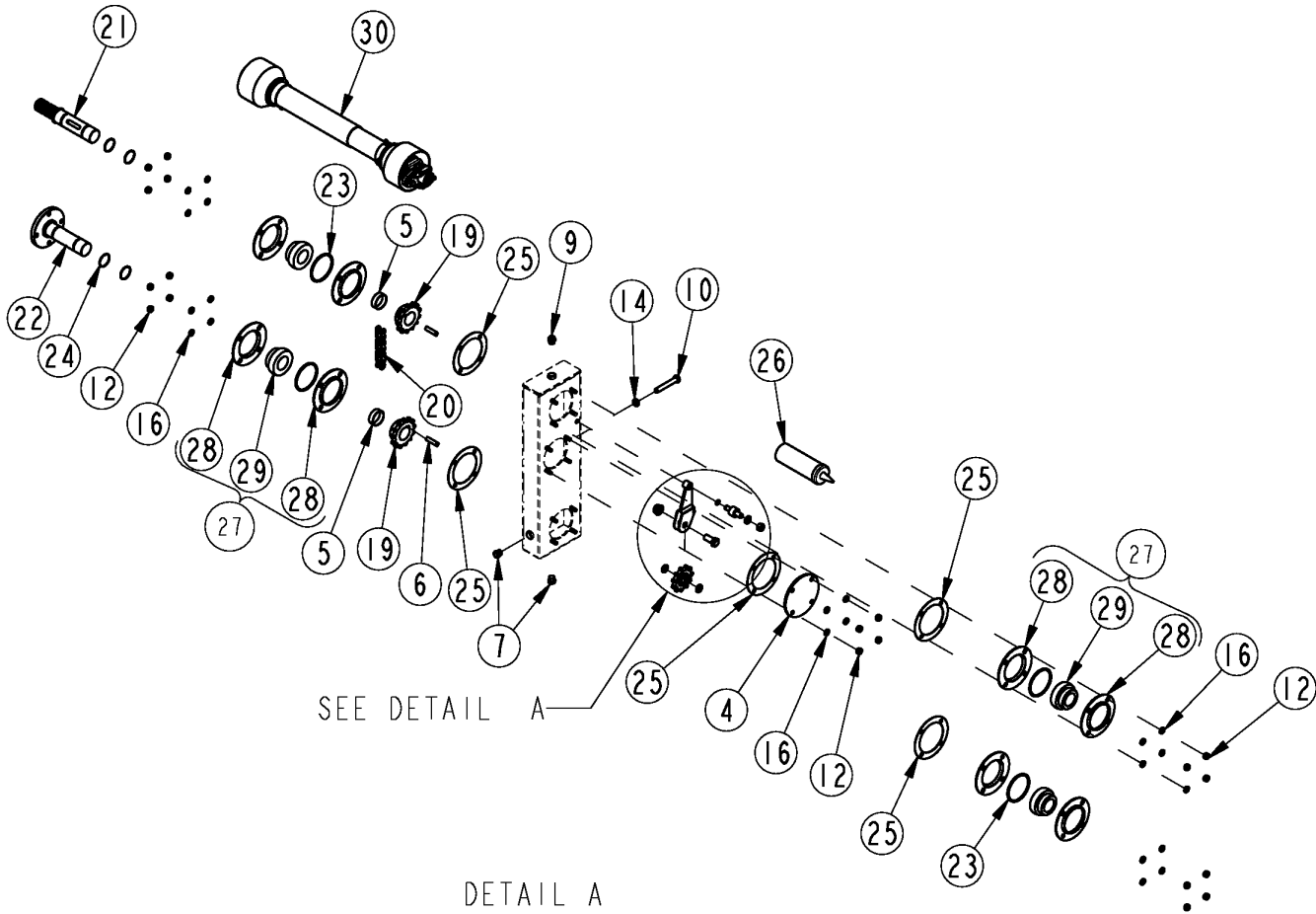
Skid Shoe Components

Applies to DT35

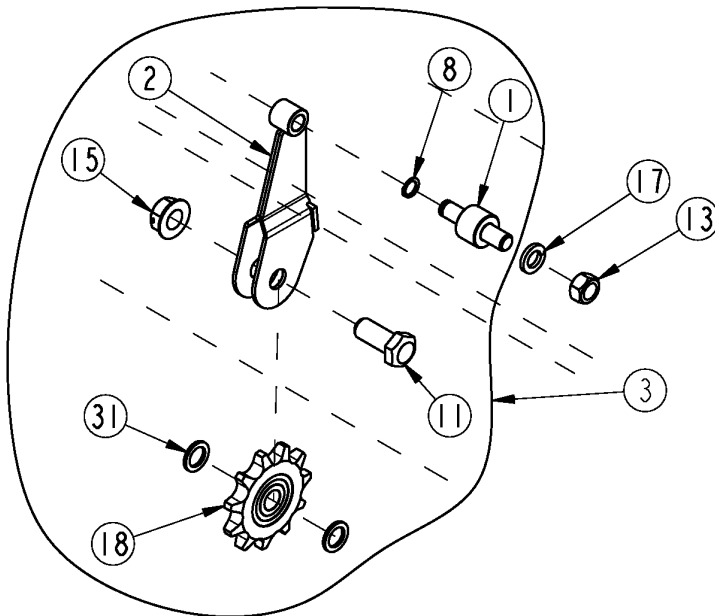
Ref	Part No.	Part Description	Comments	Revision
	dwg33332	Drawing Image Number		
1.	324-092H	SKID SHOE WELD		
2.	324-149D	SKID ADJ BAR		
3.	802-045C	HHCS 1/2-13X5 GR5		
4.	803-019C	NUT LOCK 1/2-13 PLT		
5.	805-032C	PIN HAIR COTTER .148 WIRE		
6.	805-381C	PIN CLEVIS 1/2X1 1/4 PLT		

Drive Assembly

Applies to DT35



DETAIL A



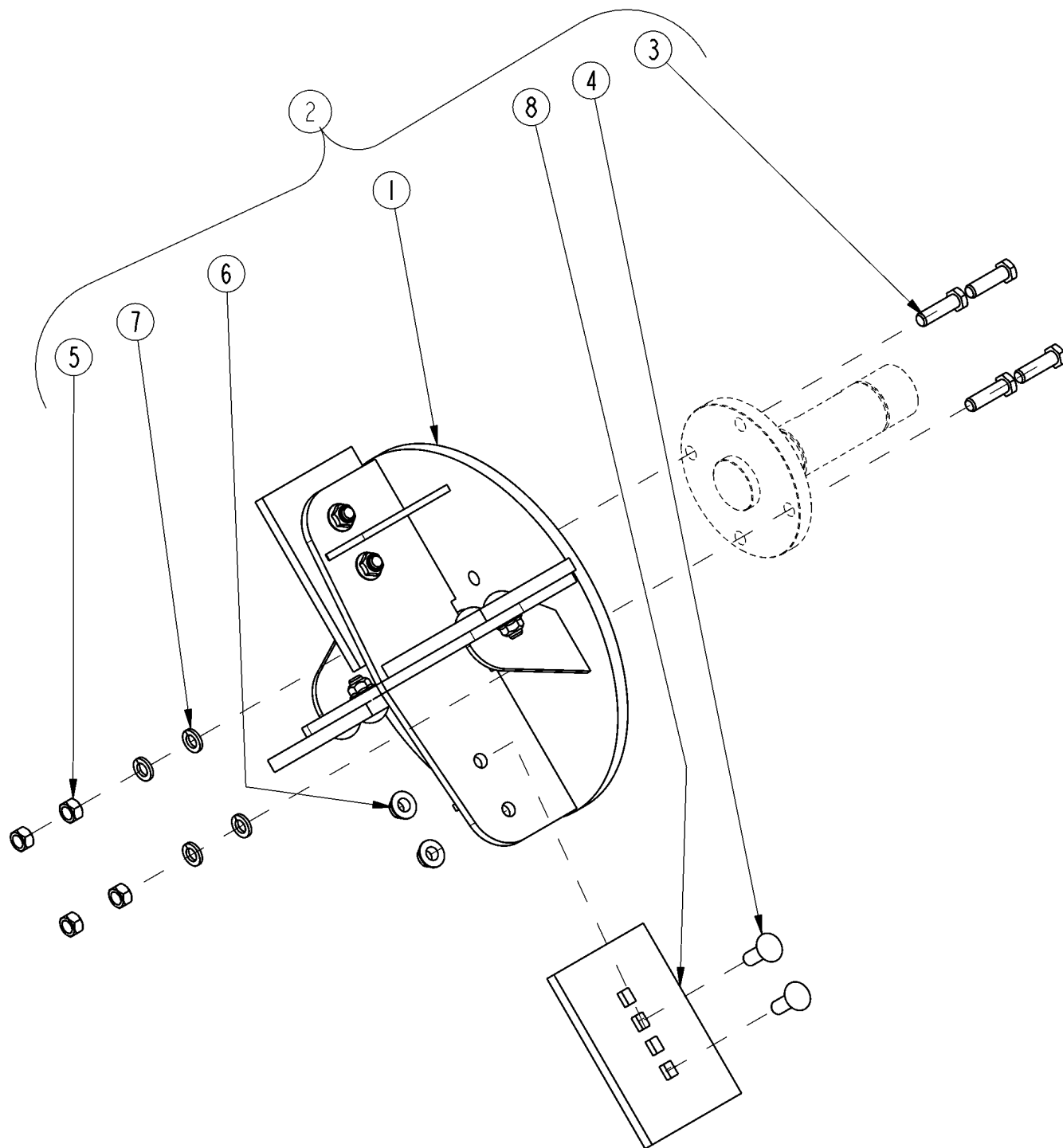
33334

Drive Assembly**Applies to DT35**

Ref	Part No.	Part Description	Comments	Revision
	Dwg 33334	Drawing Image Number		
1.	311-200D	CHAIN TIGHTNER PIVOT RTA25/35		
2.	324-104H	TIGHTENER WELD		
3.	324-105K	TIGHTENER BUNDLE		
4.	324-148D	ACCESS COVER		
5.	324-153D	SPACER SPROCKET		
6.	411-609D	KEY 1/2 X 1/2 X 2		
7.	800-066C	DRAIN PLUG 3/4-16 UNF PLATED		
8.	800-074C	SNAP RING EXT .543 .050T		
9.	800-306C	FILL PLUG VENTED 3/4-16 PLT	S/N 767296+	
9.	800-066C	DRAIN PLUG 3/4-16 UNF PLATED	S/N 767295-	
10.	802-286C	HHCS 5/8-11X4 GR5 FTHD		
11.	802-392C	HHCS 3/4-10X1 3/4 GR5		
12.	803-020C	NUT HEX 1/2-13 PLT		
13.	803-022C	NUT HEX 5/8-18 PLT		
14.	803-023C	NUT HEX JAM 5/8-11 PLT		
15.	803-181C	NUT HEX FLANGE LOCK 3/4-10 PLT		
16.	804-015C	WASHER LOCK SPRING 1/2 PLT		
17.	804-022C	WASHER LOCK SPRING 5/8 PLT		
18.	808-317C	SPKT 8OSER11T WITH BRG		
19.	808-435C	SPKT 80B13 2" BORE W/KEY&SET		
20.	809-305C	CHAIN RL #80HR -54 PITCH W/CON	S/N 767296+	
20.	809-303C	RPBY 809-305C	S/N 767295-	
21.	815-378C	SHAFT TOP DT35		
22.	815-379C	SHAFT LOWER DT35		
23.	816-704C	O-RING 3.917IDX4.195ODX.139		
24.	816-705C	O-RING 1.818IDX2.024ODX.103		
25.	816-706C	GASKET FLANGETTE		
26.	821-045C	GRS SHELL GADUS S2 V22000 32OZ		
27.	822-283C	BRG W/FLG 2.00ID 4-BOLT	S/N 767296+	
27.	822-264C	RPBY 822-283C	S/N 767295-	
28.	822-284C	FLANGETTE 100MM 4-BOLT RD PLT		
29.	822-285C	BRG 2.00IDX3.937OD LOCK		
30.	826-717C	DRVLN, DITCHER 2100 SHEAR DT35		
31.	827-007C	G.W. SPACER TUBE-SHORT		

Impeller Components

Applies to DT35



33333

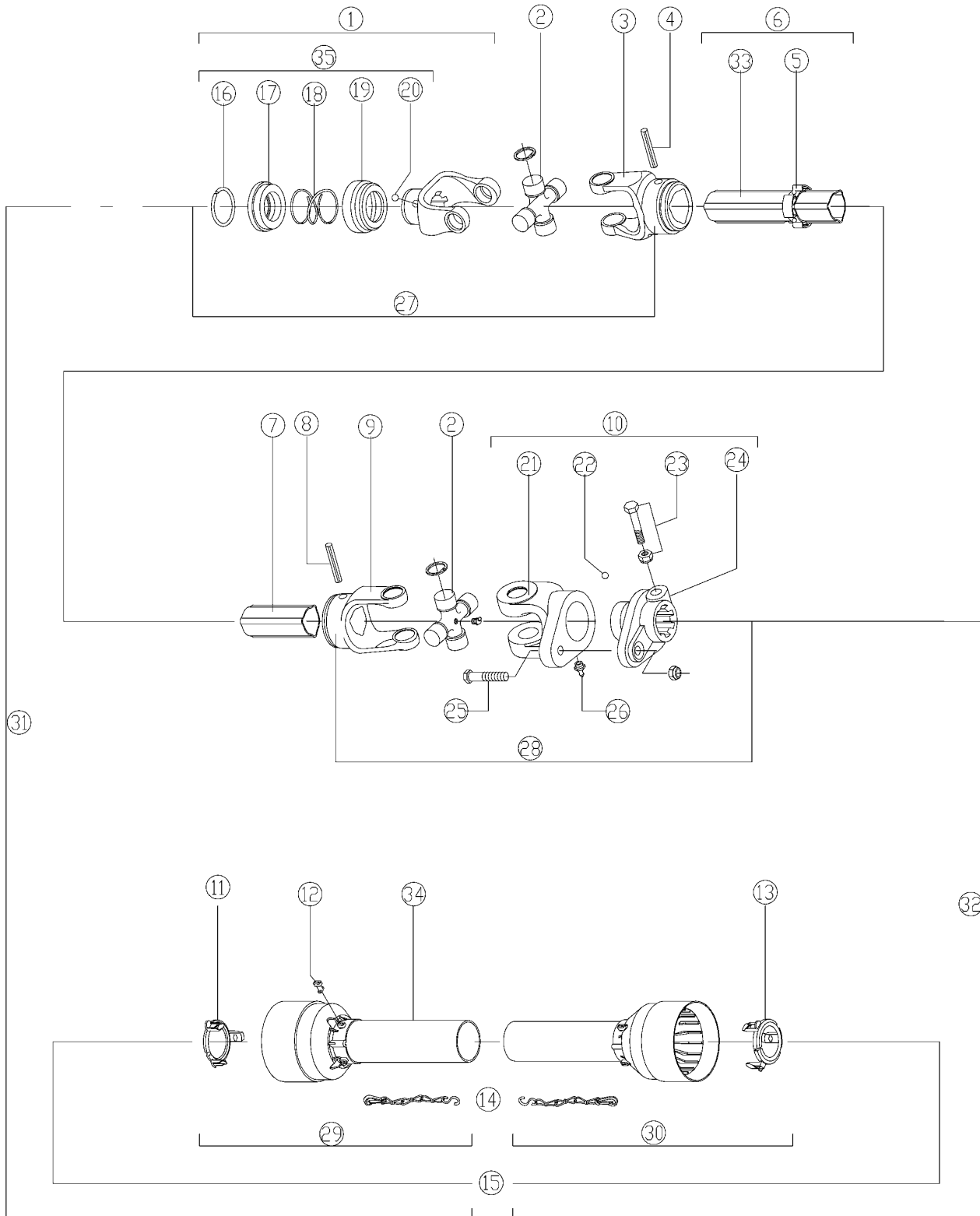
Impeller Components

Applies to DT35

Ref	Part No.	Part Description	Comments	Revision
	dwg33333	Drawing Image Number		
1.	324-091H	ROTOR WELD		
2.	324-094K	ROTOR		
3.	802-082C	HHCS 1/2-13X1 3/4 GR5		
4.	802-106C	RHSNB 1/2-13X1 1/2 GR5		
5.	803-020C	NUT HEX 1/2-13 PLT		
6.	803-169C	NUT HEX FLG LOCK 1/2-13 PLT		
7.	804-015C	WASHER LOCK SPRING 1/2 PLT		
8.	820-455C	DITCHER BLADE		

Driveline (826-717C)

Applies to DT35



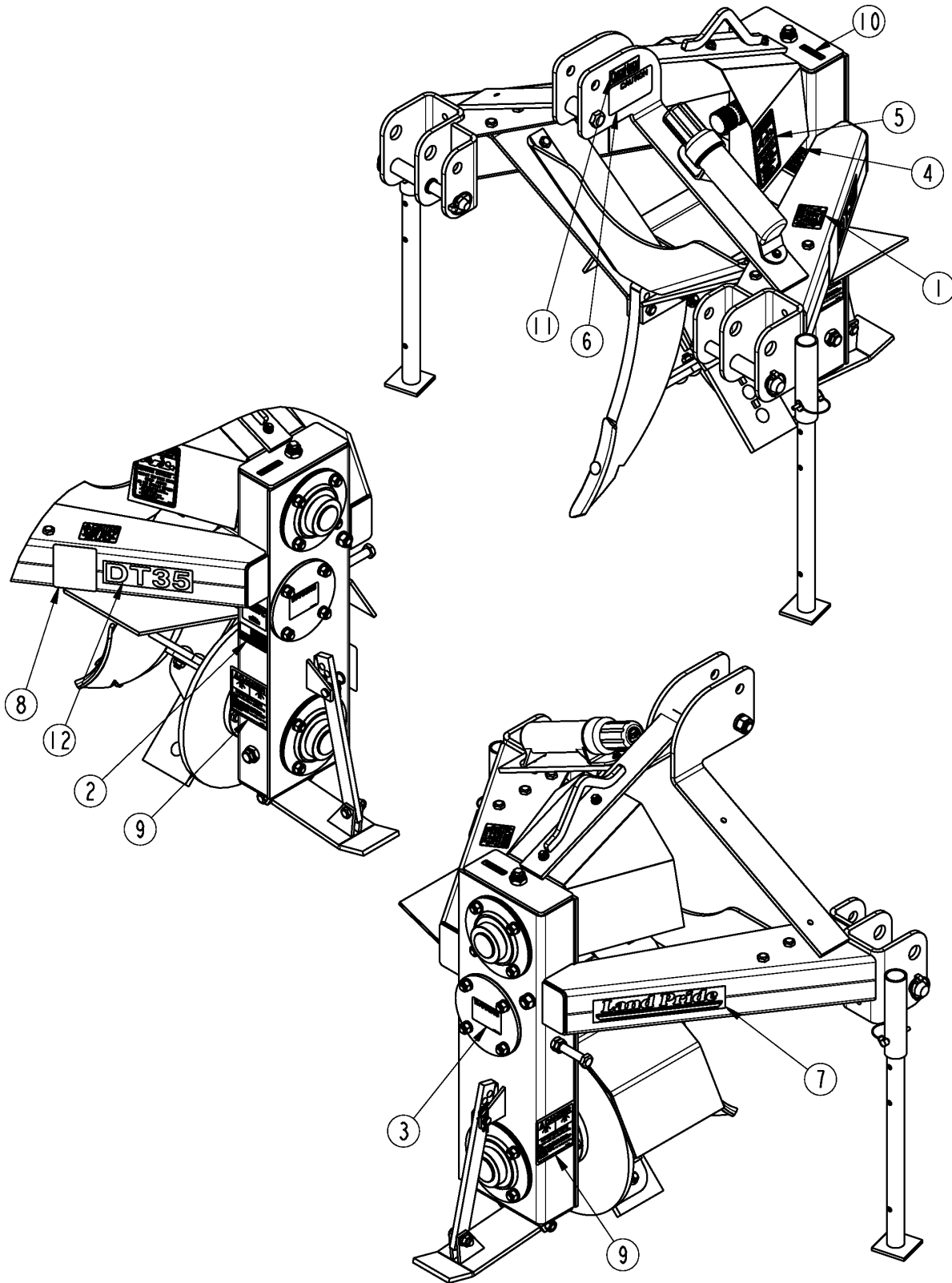
33336

Driveline (826-717C)**Applies to DT35**

Ref	Part No.	Part Description	Comments	Revision
	dwg33336 826-717C	Drawing Image Number DRVLN, DITCHER 2100 SHEAR DT35 *		
1.	141.026.544.1	CO COMPLETE COLLAR YOKE C12		
2.	180.016.130	COMER CROSS ASSEMBLY		
3.	151.016.028.1	CO OUTER YOKE		
4.	190.000.018	CO ROLL PIN OUTER TUBE		
5.	180.016.316	CO BUSH WITH GREASE FITTING		
6.	152.170.2630710	CO COMPLETE OUTER TUBE		
7.	153.160.174	CO INNER TUBE		
8.	190.000.016	COMER ROLL PIN, INNER TUBE		
9.	151.016.029.1	CO INNER YOKE		
10.	143.260.055.1	CO COMPLETE SHEAR BOLT(46XM10)		
11.	180.016.237	CO GRD RETAIN CLLR FOR OTR TB		
12.	180.014.240	COMER BOLT		
13.	180.016.238	CO GRD RETAIN CLLR FOR INR TB		
14.	180.016.636	CO SAFETY CHAINS	(S/N 940014-)	
15.	142.260.4997621	CO COMPLETE GRD W/INSTR. MNL		
16.	190.000.451	COMER OUTER CIRCLIP		
17.	151.016.486	COMER SLIDING SLEEVE COLLER		
18.	180.016.487	COMER SPRING		
19.	180.016.483	COMER FIXED SLEEVE		
20.	190.000.078	COMER BALL 1/2"		
21.	151.016.258.1	CO YOKE FOR HUB B02 (46XM10)		
22.	190.000.023	CO BALL DIA 5/16"		
23.	165.000.576	CO BOLT & NUT M16X2X80 C1.8.8		
24.	151.016.838.1	CO HUB B02 (46XM10)		
25.	165.000.511	CO BOLT M10X55 C1.8.8 AND NUT		
26.	190.000.021	CO GREASE FITING M10X1		
27.	N/A	CO U JOINT FOR OUTER TUBE		
28.	121.026.1263.11	CO U JOINT FOR INNER TUBE		
29.	142.266.2757621	CO HALF FEMALE GUARD		
30.	142.261.2797621	CO HALF MALE GUARD		
31.	123.360.468.11	COMER HALF FEMALE SHFT W/GUARD		
32.	123.460.1024.11	CO HALF MALE SHFT W/GUARDING		
33.	190.000.098	COMER DANGER LABEL OUTER TUBE		
34.	190.000.099	COMER DANGER LABEL GUARD OUTER		
35.	165.000.628	COMER COLLOR KIT 1-3/8 YOKE		

Decal Placement

Applies to DT35



33335

Decal Placement**Applies to DT35**

Ref	Part No.	Part Description	Comments	Revision
	Dwg 33335	Drawing Image Number		
1.	818-130C	DECAL CAUTION 540 RPM		
2.	818-190C	DECAL FLAG		
3.	818-205C	DECAL WARNING MOVING PARTS HAZ		
4.	818-543C	DECAL DANGER PD GUARD MISS SML		
5.	818-552C	DECAL DANGER PTO DRIVELINE		
6.	818-719C	DECAL CAUTION GENERAL INSTR		
7.	818-897C	RPBY 848-159C	Beige Unit	
7.	848-159C	DECAL LANDPRIDE 10" BROWN/GOLD	Orange Unit & Red Unit	
8.	838-287C	DECAL THROWN OBJECT DITCHER		
9.	838-295C	DECAL ROTATING BLADE DT55 SW407		
10.	838-415C	DECAL SHELL GADUS S2 V220 00		
11.	838-517C	DECAL QUICK HITCH SYSTEM		
12.	848-737C	DECAL DT35 GOLD		
12.	848-808C	RPBY 848-737C	Obsolete	

Land Pride Touch-up Paints

Applies to DT35

No diagram associated with this Parts List

Land Pride Touch-up Paints**Applies to DT35**

Ref	Part No.	Part Description	Comments	Revision
1.	821-011C	LP BEIGE SPRAY CAN	Spray can	
1.	821-070C	GLOSS BLACK SPRAY CAN	Spray can	
1.	821-054C	MED. RED SPRAY TRCK/CTR	Spray can	
1.	821-058C	GREEN SPRAY CUTTERS	Spray can	
1.	821-066C	ORANGE SPRAY CAN	Spray can	
1.	821-067C	BLUE SPRAY CAN	Spray can	
1.	821-080C	PAINT ALUMINUM/ZINC SPRAY CAN	Spray can	
2.	821-011CTU	LP BEIGE TOUCH-UP 5OZ	Touch-up bottle with brush	
2.	821-070CTU	GLOSS BLACK TOUCH-UP 5OZ	Touch-up bottle with brush	
2.	821-054CTU	MED RED TOUCH-UP 5OZ	Touch-up bottle with brush	
2.	821-058CTU	GREEN TOUCH-UP 5OZ	Touch-up bottle with brush	
2.	821-066CTU	ORANGE TOUCH-UP 5OZ	Touch-up bottle with brush	
2.	821-067CTU	BLUE TOUCH-UP 5OZ	Touch-up bottle with brush	
2.	821-080CTU	PAINT ALUMINUM/ZINC TOUCH UP	Touch-up bottle with brush	
3.	821-011CQT	LP BEIGE QUART	Quart can	
3.	821-070CQT	GLOSS BLACK QUART	Quart can	
3.	821-054CQT	MED RED QUART	Quart can	
3.	821-058CQT	GREEN QUART	Quart can	
3.	821-066CQT	ORANGE QUART	Quart can	
3.	821-067CQT	BLUE QUART	Quart can	
3.	821-080CQT	PAINT ALUMINUM/ZINC QUART	Quart can	
4.	821-011CGL	LP BEIGE GALLON	Gallon can	
4.	821-070CGL	GLOSS BLACK GALLON	Gallon can	
4.	821-054CGL	MED RED GALLON	Gallon can	
4.	821-058CGL	GREEN GALLON	Gallon can	
4.	821-066CGL	ORANGE GALLON	Gallon can	
4.	821-067CGL	BLUE GALLON	Gallon can	
4.	821-080CGL	PAINT ALUMINUM/ZINC GALLON	Gallon can	



Part Number Index

The Part Number Index is a numeric index of all part numbers included in this manual. The index shows what page(s) the part is used on.

Part Number	Page	Part Number	Page	Part Number	Page
121.026.1263.11	17	802-392C	13	821-080CTU	21
123.360.468.11	17	802-682C	9	822-264C	13
123.460.1024.11	17	803-014C	7	822-283C	13
141.026.544.1	17	803-019C	11	822-284C	13
142.260.4997621	17	803-020C	13, 15	822-285C	13
142.261.2797621	17	803-022C	13	826-717C	13, 17
142.266.2757621	17	803-023C	13	827-007C	13
143.260.055.1	17	803-027C	7	838-287C	19
151.016.028.1	17	803-169C	9, 15	838-295C	19
151.016.029.1	17	803-181C	13	838-415C	19
151.016.258.1	17	803-209C	9	838-517C	19
151.016.486	17	803-255C	7	848-159C	19
151.016.838.1	17	804-007C	7	848-737C	19
152.170.2630710	17	804-012C	7	848-808C	19
153.160.174	17	804-013C	7	Dwg 33334	13
165.000.511	17	804-015C	13, 15	Dwg 33335	19
165.000.576	17	804-022C	13	dwg33329	7
165.000.628	17	804-023C	7	dwg33331	9
180.014.240	17	805-032C	11	dwg33332	11
180.016.130	17	805-065C	7	dwg33333	15
180.016.237	17	805-103C	7	dwg33336	17
180.016.238	17	805-381C	11	N/A	17
180.016.316	17	805-407C	7		
180.016.483	17	808-317C	13		
180.016.487	17	808-435C	13		
180.016.636	17	809-303C	13		
190.000.016	17	809-305C	13		
190.000.018	17	815-378C	13		
190.000.021	17	815-379C	13		
190.000.023	17	816-504C	7		
190.000.078	17	816-704C	13		
190.000.098	17	816-705C	13		
190.000.099	17	816-706C	13		
190.000.451	17	818-130C	19		
311-101H	7	818-190C	19		
311-101H82	7	818-205C	19		
311-101H83	7	818-543C	19		
311-200D	13	818-552C	19		
322-009D	7	818-719C	19		
324-091H	15	818-897C	19		
324-092H	11	820-008C	9		
324-093H	7	820-455C	15		
324-093H82	7	821-011C	21		
324-093H83	7	821-011CGL	21		
324-094K	15	821-011CQT	21		
324-097K	9	821-011CTU	21		
324-104H	13	821-045C	13		
324-105K	13	821-054C	21		
324-148D	13	821-054CGL	21		
324-149D	11	821-054CQT	21		
324-150D	9	821-054CTU	21		
324-151D	9	821-058C	21		
324-152D	9	821-058CGL	21		
324-153D	13	821-058CQT	21		
324-154D	7	821-058CTU	21		
324-162D	9	821-066C	21		
411-609D	13	821-066CGL	21		
800-066C	13	821-066CQT	21		
800-074C	13	821-066CTU	21		
800-306C	13	821-067C	21		
802-017C	7	821-067CGL	21		
802-034C	9	821-067CQT	21		
802-038C	9	821-067CTU	21		
802-045C	11	821-070C	21		
802-068C	7	821-070CGL	21		
802-082C	15	821-070CQT	21		
802-106C	15	821-070CTU	21		
802-224C	7	821-080C	21		
802-258C	9	821-080CGL	21		
802-286C	13	821-080CQT	21		

This Page Intentionally Left Blank



Great Plains Manufacturing, Inc.

Corporate Office: P.O. Box 5060
Salina, Kansas 67402-5060 USA

www.landpride.com
