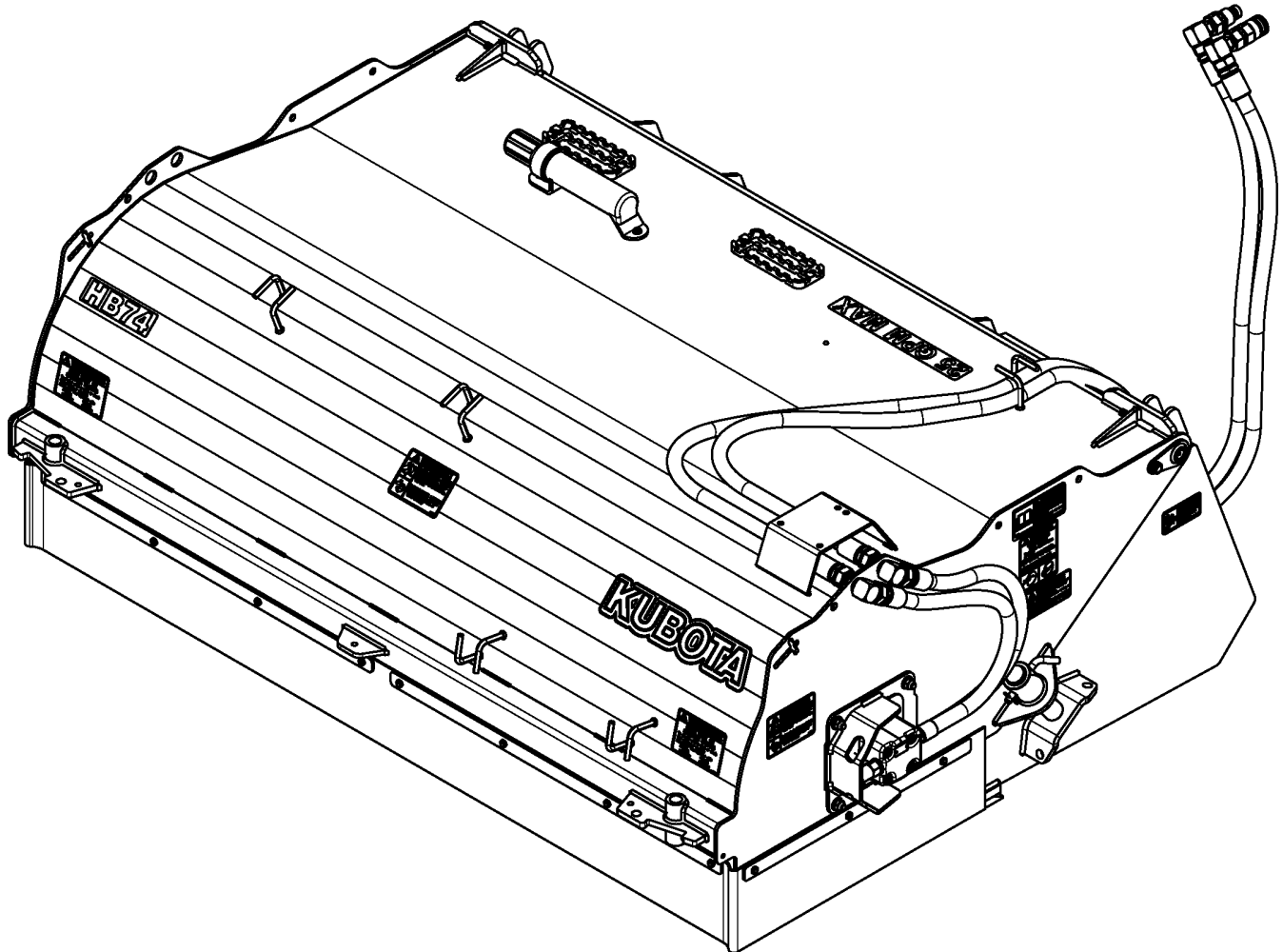


# Hopper Broom

## AP-HB74 & AP-HB84



70994

### 323-161PK Parts Manual

# Kubota®



Read the Operator's Manual entirely. When you see this symbol, the subsequent instructions and warnings are serious - follow without exception. Your life and the lives of others depend on it!

© Copyright 2019 Printed 09/03/19

*Cover photo may show optional equipment not supplied with standard unit.*



# Table of Contents

---

<b>Section 1: Introduction.....</b>	<b>4</b>
Using This Manual.....	4
Manual Replacement Information.....	4
Manual Revisions.....	4
Touch-up Paint.....	4
Hardware Legend.....	5
Replacement Hardware.....	5
Serial Numbers.....	5
Part Number Service Coding.....	5
<b>Section 2: Main Assembly.....</b>	<b>6</b>
Broom Components.....	6
Bucket & Components.....	8
Manual Tube.....	10
Shroud & Components.....	12
<b>Section 3: Hydraulics.....</b>	<b>14</b>
Hydraulic Motor (850-304C).....	14
Hydraulic Motor (850-312C).....	16
Hydraulics & Drive Components.....	18
<b>Section 4: Options &amp; Accessories.....</b>	<b>20</b>
Dust Suppression Kit Filter.....	20
Front & Gutter Broom Dust Suppression Kit.....	22
Front Dust Suppression Kit.....	24
Gutter Broom.....	26
<b>Section 5: Decals.....</b>	<b>28</b>
Decal Placement.....	28
Kubota Touch-up Paints.....	30
<b>Section 6: Accessories.....</b>	<b>32</b>
Gutter Broom Dust Suppression Kit.....	32
<b>Part Number Index.....</b>	<b>34</b>

© Copyright 2019. All rights reserved.

Kubota provides this publication “as is” without warranty of any kind, either expressed or implied. While every precaution has been taken in the preparation of this manual, Kubota assumes no responsibility for errors or omissions. Neither is any liability assumed for damages resulting from the use of the information contained herein. Kubota reserves the right to revise and improve its products as it sees fit. This publication describes the state of this product at the time of its publication, and may not reflect the product in the future. The illustrations in this manual are not intended for safe and proper assembly or disassembly of equipment. The illustrations are intended for ordering parts only.

Kubota is registered trademark.

All other brands and product names are trademarks or registered trademarks of their respective holders.

*Printed in the United States of America.*



# Alphabetized Table of Contents

---

<b>B</b>	
	Broom Components.....6
	Bucket & Components.....8
<b>D</b>	
	Decal Placement.....28
	Dust Suppression Kit Filter.....20
<b>F</b>	
	Front & Gutter Broom Dust Suppression Kit.....22
	Front Dust Suppression Kit.....24
<b>G</b>	
	Gutter Broom.....26
	Gutter Broom Dust Suppression Kit.....32
<b>H</b>	
	Hydraulic Motor (850-304C).....14
	Hydraulic Motor (850-312C).....16
	Hydraulics & Drive Components.....18
<b>K</b>	
	Kubota Touch-up Paints.....30
<b>M</b>	
	Manual Tube.....10
<b>S</b>	
	Shroud & Components.....12

# General Information

## Using This Manual

This manual is divided into sections. The first section contains General Information. The remaining sections divide the machine into segments (i.e. Frames, Drives, Hydraulics, etc.) which illustrate and list all parts. A Parts Number Index is located at the back of the book.

The Kubota parts in this manual are specially designed for this machine and should be replaced with Kubota parts only.

The information in this manual is current at time of printing. Some parts may change to assure top performance.

Right-hand and left-hand as used in this manual are determined by facing the direction the machine will travel while in use.

Below is an example of two facing pages from a parts manual. Familiarize yourself with the type of information contained on these pages.

## Manual Replacement Information

Replacement manuals are available. Refer to our website at [www.landpride.com](http://www.landpride.com) for additional information. Our website continues to provide the most up-to-date manuals available.

## Touch-up Paint

Repaint parts where paint is worn or scratched to prevent rust. Aerosol cans and touch-up bottles with brush applicator are available through your local dealer. Also available are quart and gallon size paints. Add QT or GL to end of the Aerosol P/N.

Kubota color descriptions and part numbers are listed on the "Kubota Touch-up Paints" page in the "Decals" section of this book.



# General Information

## Hardware Legend

AR	As Required
BLADE	Blade Bolt
C	Cap Screw
CP	Cotter Pin
CPHSSS	Cup Point Hex Socket Set Screw
CPSHSS	Cup Point Square Head Set Screw
CPSQHSS	Cup Point Square Head Set Screw
CRFCHMS3	Cross Recess Flat Countersunk Head Machine Screw
CRPHMS	Cross Recess Pan Head Machine Screw
CRPHTFS	Cross Recess Pan Head Thread Forming
CRRHMS	Cross Recess Round Head Machine Screw
CRTHMS	Cross Recess Truss Head Machine Screw
CSNB	Countersunk Square Neck Bolt
FHMS	Flat Head Machine Screw
FTC	Full Thread Cap Screw
H	Hex Nut
HCLN	Hex Center Lock Nut
HFLCS	Hex Flange Lock Cap Screw
HFS	Hex Flange Screw
HFSLN	Hex Flange Serrated Lock Nut
HFSS	Hex Flange Serrated Screw
HHCS	Hex Head Cap Screw or Metric Bolt
HSBHCS	Hex Socket Button Head Cap Screw
HSFCHCS	Hex Socket Flat Countersunk Head Cap Screw
HSHCS	Hex Socket Head Cap Screw
HSSS	Hex Socket Head Screw
HTLN	Hex Top Lock Nut
HWHCS	Hex Washer Head Cap Screw

HWHMS	Hex Washer Head Machine Screw
HXBHCS	Hex Socket Button Head Cap Screw
J	Hex Jam Nut
JIC	37 Degree Tapered Thread
L	Helical Spring Lock Washer
LUG	Lug Bolt
NFC	National Fine Cap Screw
NPSM	National Pipe Straight Mechanical
NPTF	National Pipe Taper Fuel
P	Wide Plain Washer
PHMS	Pan Head Machine Screw
PLOW	Plow Bolt
RHMS	Round Head Machine Screw
RHSNB	Round Head Square Neck Bolt
SCREW LEVELING	Leveling Screw
SCREW THUMB	Thumb Screw
SCREW WELD	Weld Screw
SFCHMS	Slotted Flat Countersunk Head Machine Screw
SFHMS	Slotted Fillister Head Machine Screw
SP	Special
SP SCREW	Special Screw
SQHSS	Square Head Set Screw
SRHMS	Slotted Round Head Machine Screw
SSS	Socket Set Screw
STCS	Self Tapping Cap Screw
STHMS	Slotted Truss Head Machine Screw
WHEEL	Wheel Studs and Hub Long Bolts
WING	Wing Bolt

## Replacement Hardware

The **Hardware Legend** above lists hardware abbreviations used in the parts list. All bolts and nuts are Grade 5 unless otherwise noted. The use of improper grades of hardware can result in personal injury, damage to equipment, or loss of property.

## Part Number Service Coding

Within the parts list some part numbers are coded for revisions and interchangeability. See notations in revision column.

### Serial Numbers

Always use the serial and model number when ordering parts. Refer to the Operator's Manual for serial number plate location.

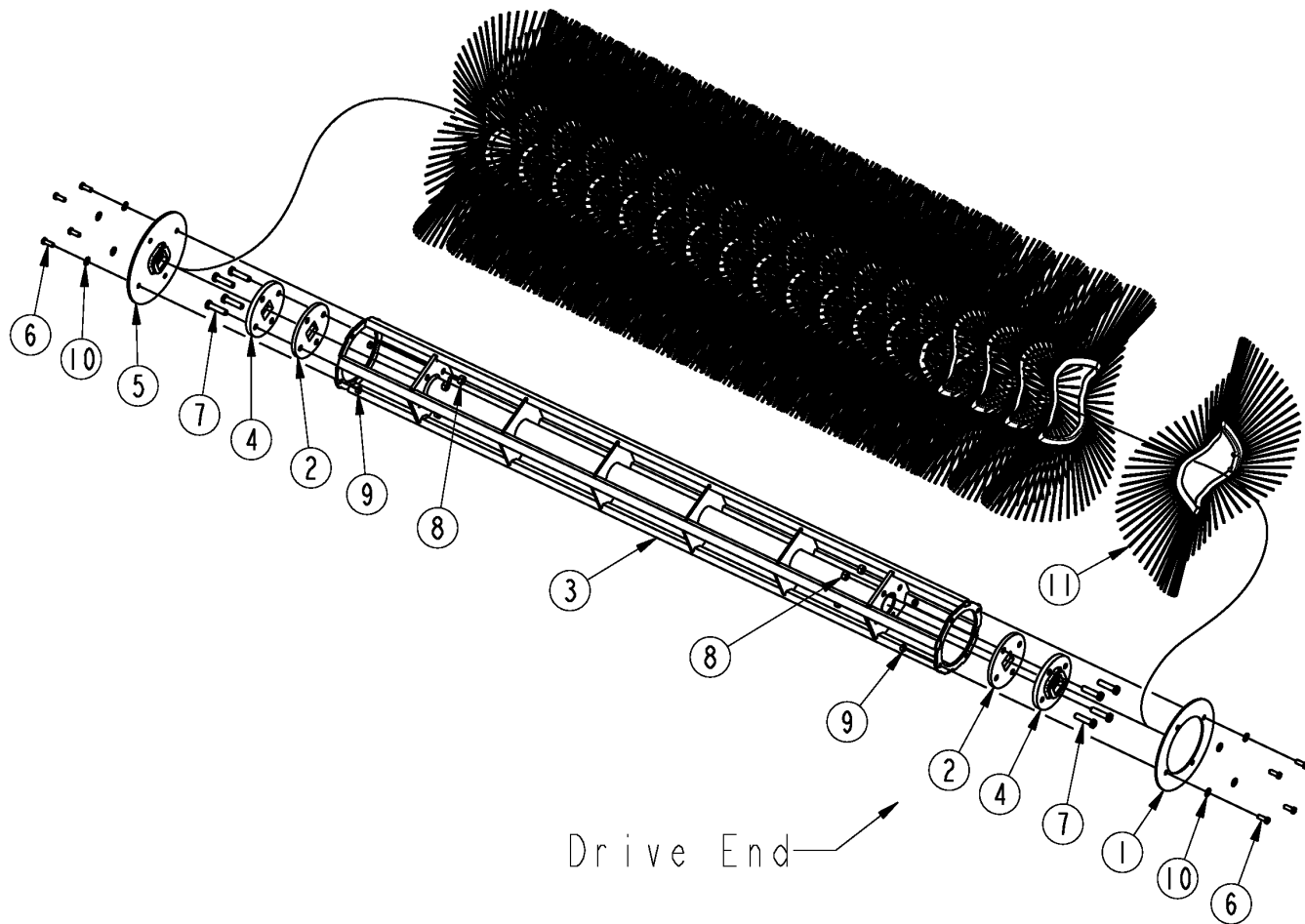
(S/N 20001+)                      Includes serial numbers 20001 and above (to the latest number)

(S/N 10001 to 20000)            Includes serial numbers between and including 10001 and 20000

(S/N 10000-)                      Includes serial numbers 10000 and below (to the earliest number)

# Broom Components

Applies to AP-HB74, AP-HB84



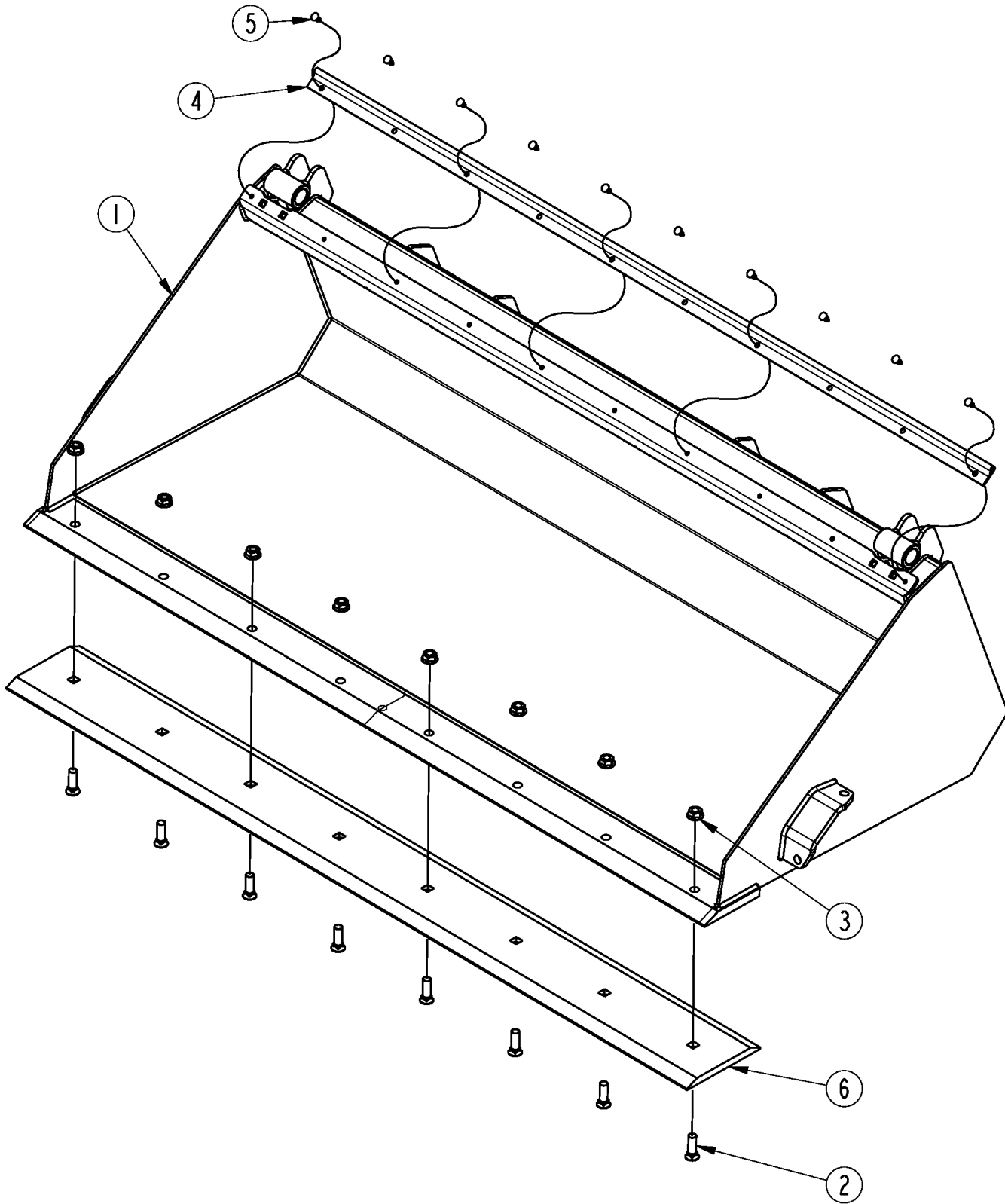
72001

**Broom Components****Applies to AP-HB74, AP-HB84**

<b>Ref</b>	<b>Part No.</b>	<b>Part Description</b>	<b>Comments</b>	<b>Revision</b>
	Dwg 72001	Image No.		
	323-113A	BROOM ASSY POLY 74	HB74 (36 poly wafers)	
	323-145A	BROOM ASSY WIRE 74	HB74 (36 wire wafers)	
	323-148A	BROOM ASSY COMBO 74	HB74 (18 poly wafes & 18 wire wafers)	
	323-114A	BROOM ASSY POLY 84	HB84 (41 poly wafers)	
	323-143A	BROOM ASSY WIRE 84	HB84 (41 wire wafers)	
	323-146A	BROOM ASSY COMBO 84	HB84 (21 poly wafes & 20 wire wafers)	
		*		
1.	323-082D	DRUM PLATE		
2.	323-092D	DRUM SPACER		
3.	323-122H	DRUM WLDMT 74 BROOM	HB74	
3.	323-123H	DRUM WLDMT 84 BROOM	HB84	
4.	323-125H	DRUM MOUNT WLDMT		
5.	323-126H	DRUM MOUNT WLDMT BRG END		
6.	802-017C	HHCS 3/8-16X1 GR5		
7.	802-128C	HHCS 1/2-13X2 GR5		
8.	803-019C	NUT LOCK 1/2-13 PLT		
9.	803-123C	NUT HEX TOP LOCK 3/8-16 PLT		
10.	804-012C	WASHER FLAT 3/8 SAE PLT		
11.	891-819C	POLY CONVOLUTED WAFER	Poly	
11.	891-820C	WIRE CONVOLUTED WAFER	Wire	

# Bucket & Components

Applies to AP-HB74, AP-HB84



70997



**Bucket & Components**

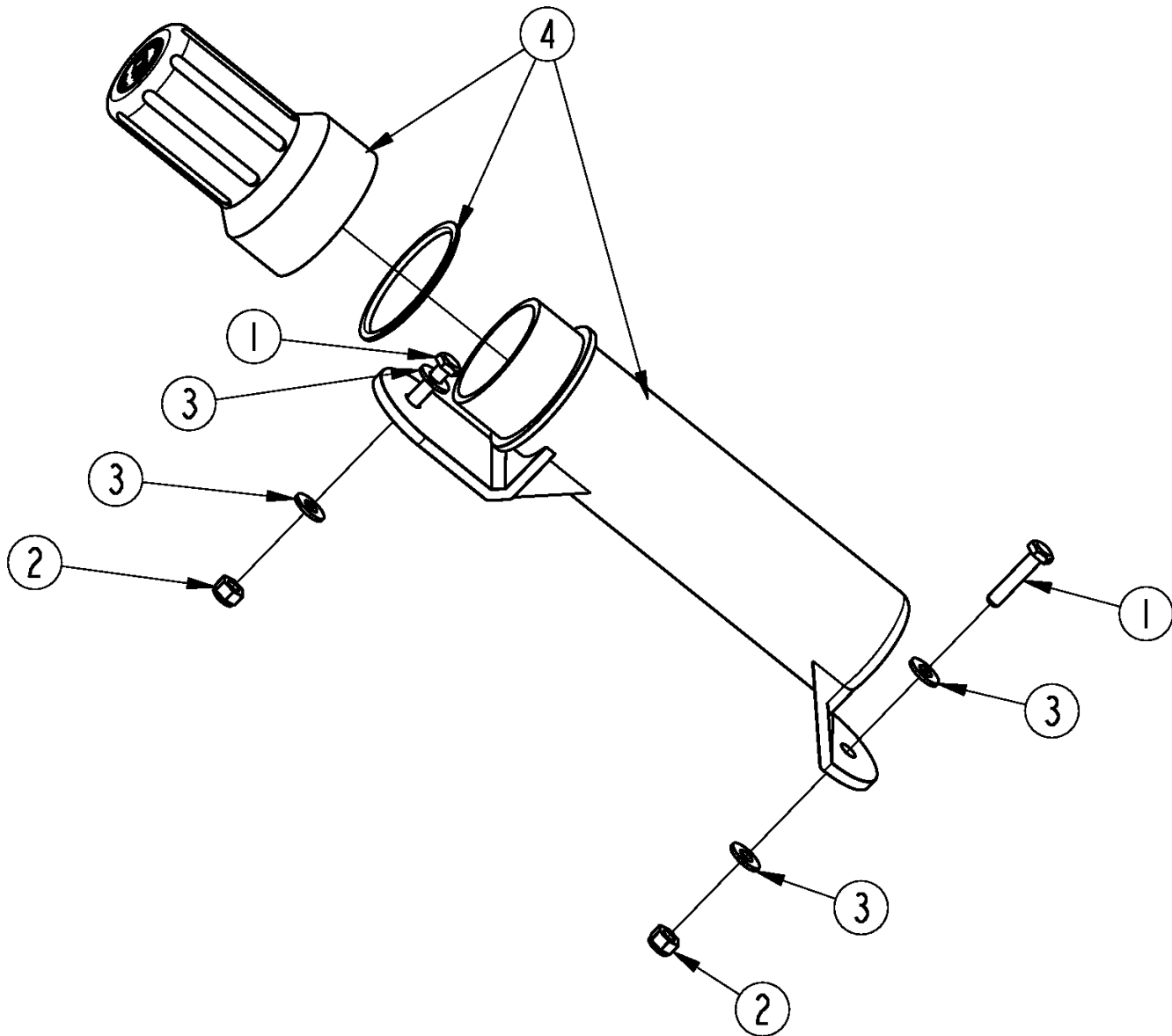
---

**Applies to AP-HB74, AP-HB84**

<b>Ref</b>	<b>Part No.</b>	<b>Part Description</b>	<b>Comments</b>	<b>Revision</b>
	Dwg 70997	Image No.		
1.	323-124H	BROOM BUCKET 74	HB74	
1.	323-149H	BROOM BUCKET 84	HB84	
2.	802-288C	PLOW 5/8-11X2 GR5		
3.	803-304C	NUT HEX WHIZ 5/8-11 PLT		
4.	816-946C	RUBBER SEAL, 74 BROOM BUCKET	HB74	
4.	816-950C	RUBBER SEAL, 84 BROOM BUCKET	HB84	
5.	817-323C	NYLON RATCHET (TREE RIVET)		
6.	820-691C	CUTTING EDGE,74" BUCKT BLT ON	HB74 (8 bolt holes)	
6.	820-692C	CUTTING EDGE,84" BUCKT BLT ON	HB84 (9 bolt holes)	

# Manual Tube

Applies to AP-HB74, AP-HB84



39163

**Manual Tube**

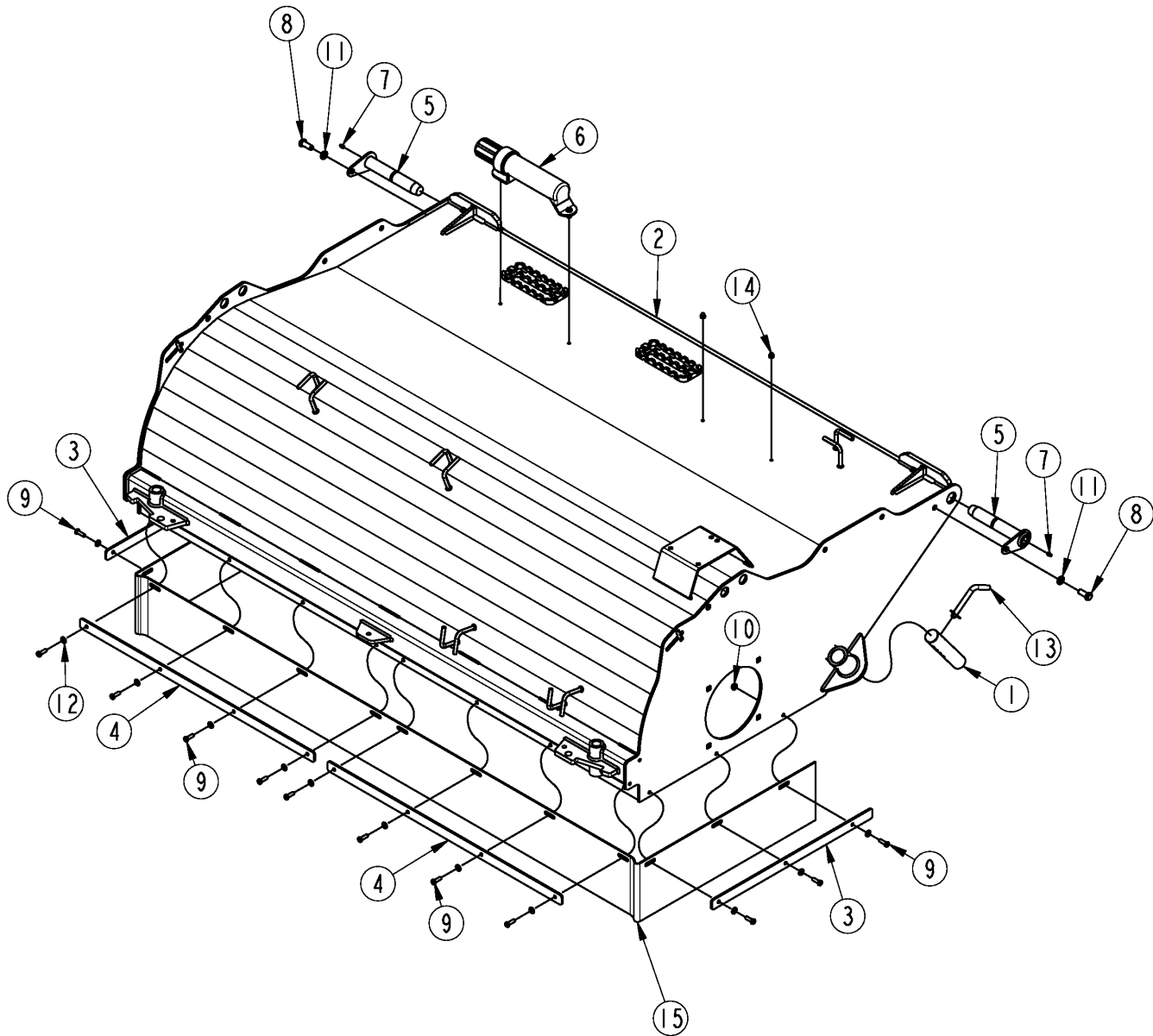
---

**Applies to AP-HB74, AP-HB84**

<b>Ref</b>	<b>Part No.</b>	<b>Part Description</b>	<b>Comments</b>	<b>Revision</b>
	Dwg 39163 326-282S	Image No. MANUAL CONTAINER KIT, 1" *		
1.	802-005C	HHCS 1/4-20X1 GR5		
2.	803-255C	NUT HEX NYLOCK 1/4-20		
3.	804-007C	WASHER FLAT 1/4 SAE PLT		
4.	816-504C	MANUAL STORAGE CONTAINER		

# Shroud & Components

Applies to AP-HB74, AP-HB84



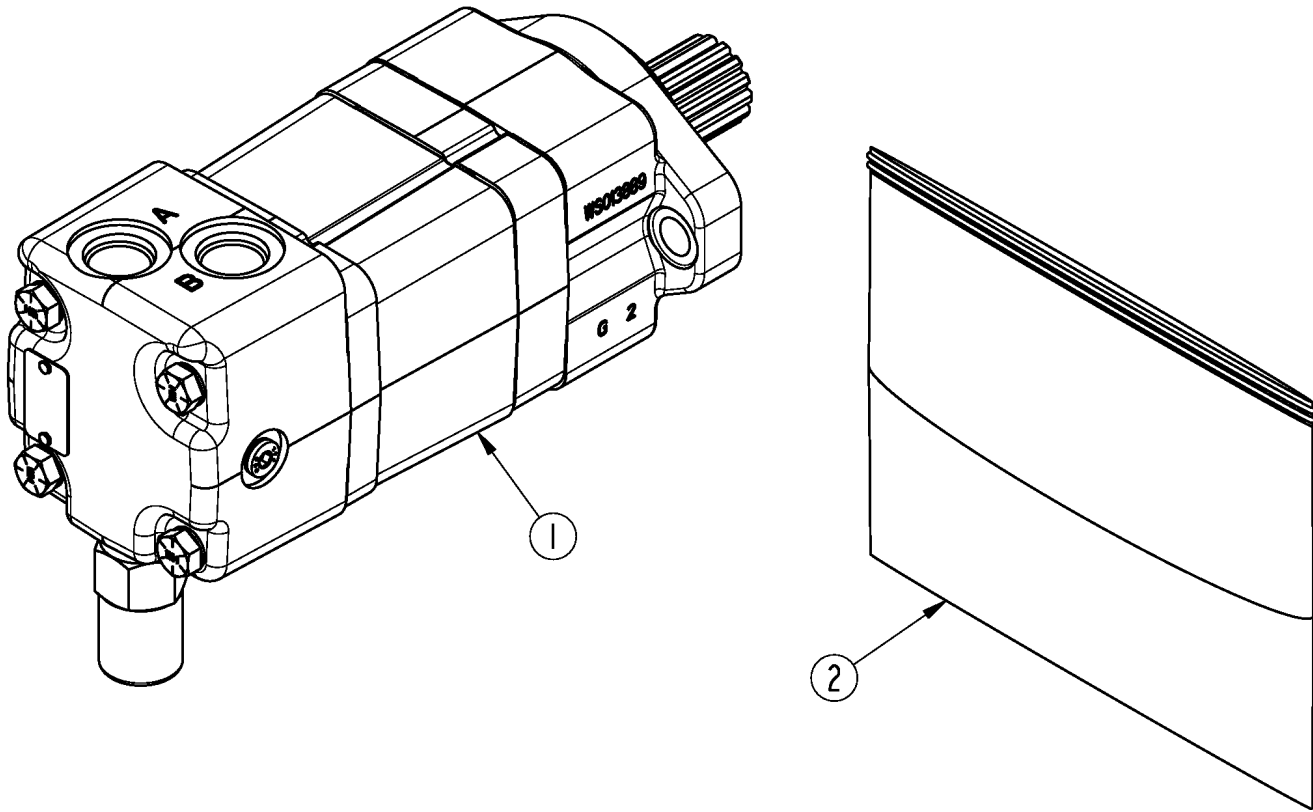
70995

**Shroud & Components****Applies to AP-HB74, AP-HB84**

<b>Ref</b>	<b>Part No.</b>	<b>Part Description</b>	<b>Comments</b>	<b>Revision</b>
	Dwg 70995	Image No.		
1.	323-098D	BROOM HEAD ADJUSTMENT PIN		
2.	323-128H	WMT, 74 BROOM SHROUD	HB74	
2.	323-151H	WMT, 84 BROOM SHROUD	HB84	
3.	323-132D	SIDE STRAP, RUBBER DEFLCTR		
4.	323-133D	FRONT STRAP, 74 RUBBER DEFLCTR	HB74	
4.	323-167D	FRONT STRAP, 84 RUBBER DEFLCTR	HB84	
5.	323-136H	WMT, BROOM HEAD PIVOT PIN		
6.	326-282S	MANUAL CONTAINER KIT, 1"		
7.	800-001C	GREASE ZERK STRAIGHT 1/4-28		
8.	802-034C	HHCS 1/2-13X1 1/4 GR5		
9.	802-159C	HHCS 5/16-18X1 GR5		
10.	803-177C	NUT HEX FLG TP LK 5/16-18ZNYCR		
11.	804-015C	WASHER LOCK SPRING 1/2 PLT		
12.	804-036C	WASHER FLAT 5/16 SAE PLT		
13.	805-035C	PIN BENT .50X3.0 USBL W/PIN		
14.	816-491C	TAILGATE BUMPER		
15.	816-949C	RUBBER DEFLECTOR, 74 BROOM	HB74	
15.	816-953C	RUBBER DEFLECTOR, 84 BROOM	HB84	

# Hydraulic Motor (850-304C)

Applies to AP-HB74, AP-HB84



***Hydraulic Motor (850-304C)***

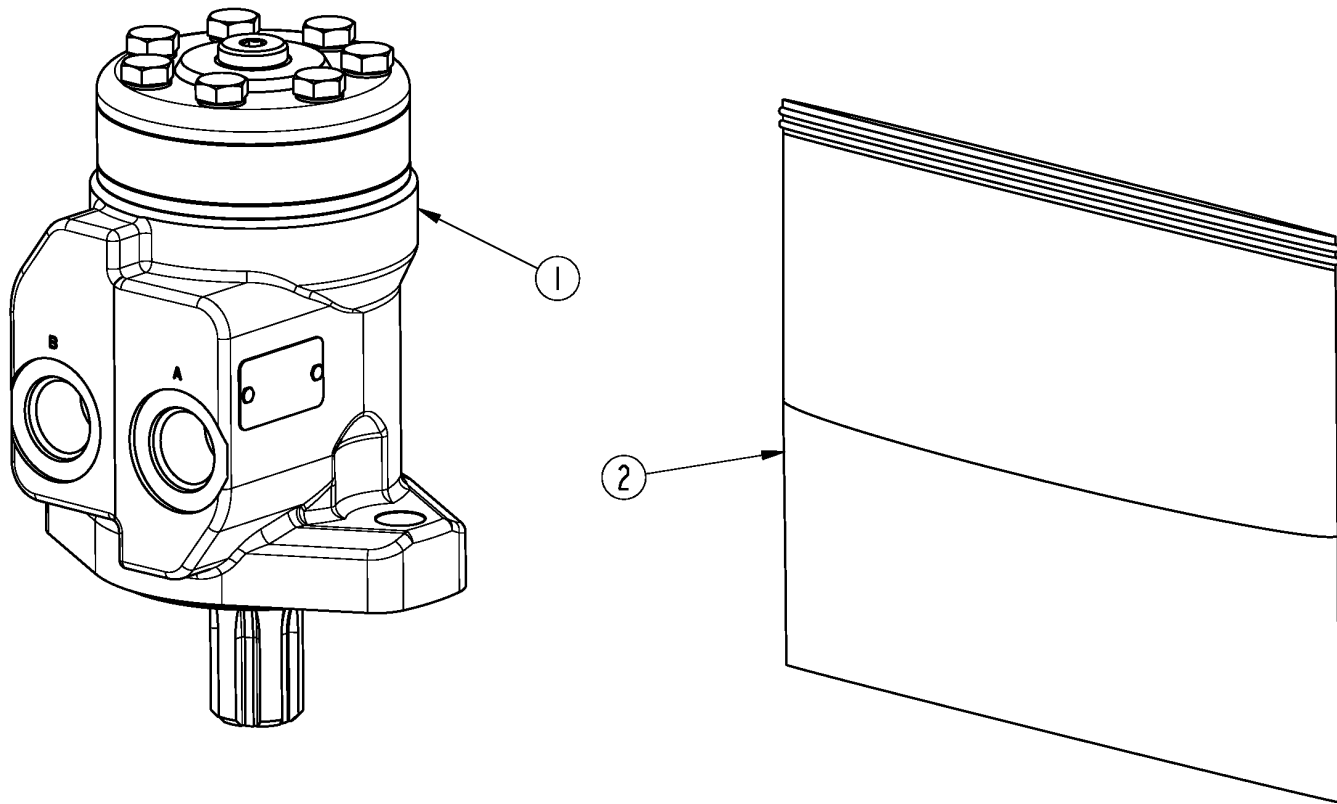
---

**Applies to AP-HB74, AP-HB84**

<b>Ref</b>	<b>Part No.</b>	<b>Part Description</b>	<b>Comments</b>	<b>Revision</b>
	Dwg 72011	Image No.		
1.	850-304C	HYD MTR 19.6 CID 14 TOOTH		
2.	850-410C	SEAL KIT FOR 850-304C		

# Hydraulic Motor (850-312C)

Applies to AP-HB74, AP-HB84



72013



***Hydraulic Motor (850-312C)***

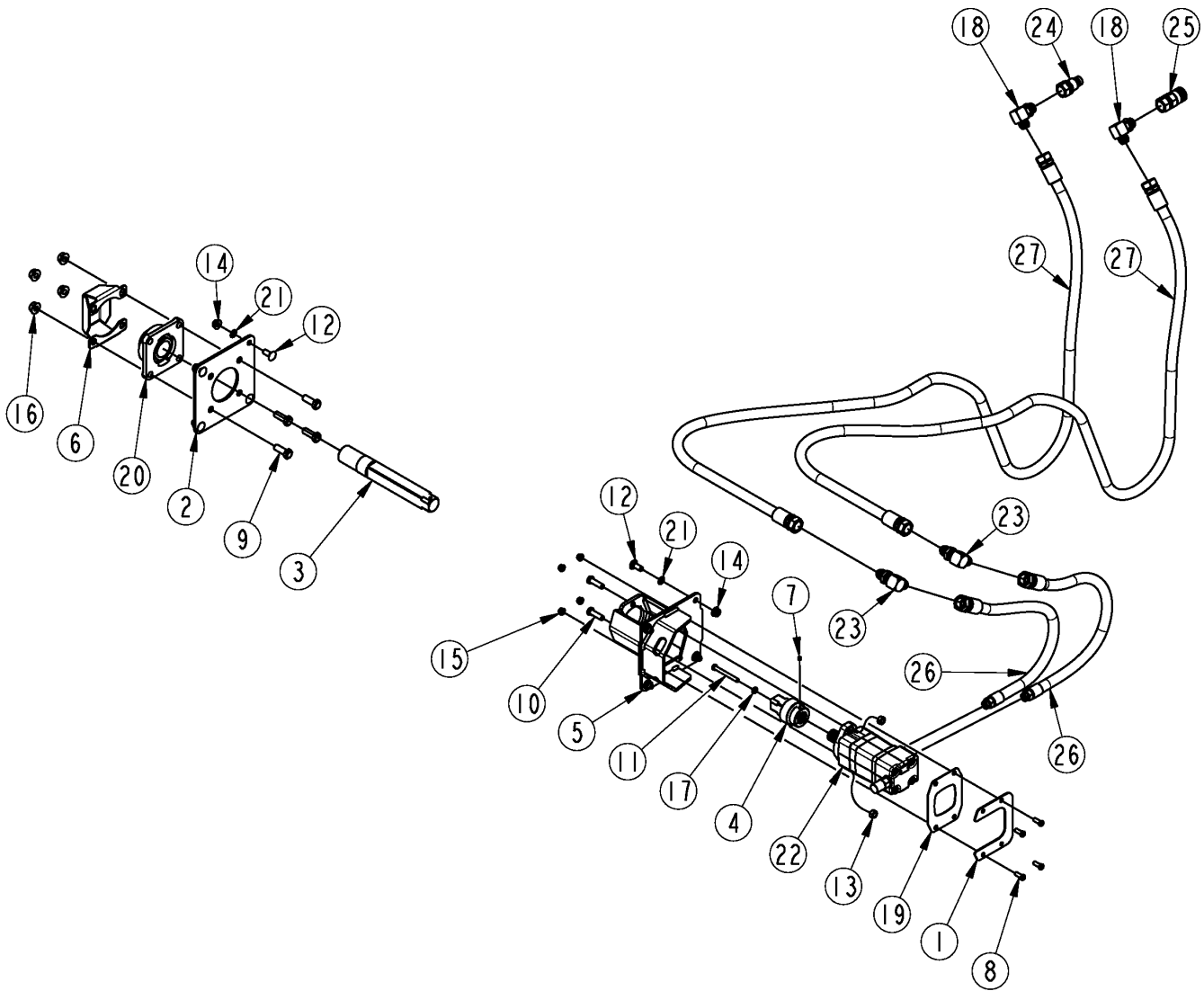
---

**Applies to AP-HB74, AP-HB84**

<b>Ref</b>	<b>Part No.</b>	<b>Part Description</b>	<b>Comments</b>	<b>Revision</b>
	Dwg 72013	Image No.		
1.	850-312C	HYD MTR 7.6 CID 6 TOOTH		
2.	850-411C	SEAL KIT FOR 850-312C		

# Hydraulics & Drive Components

Applies to AP-HB74, AP-HB84



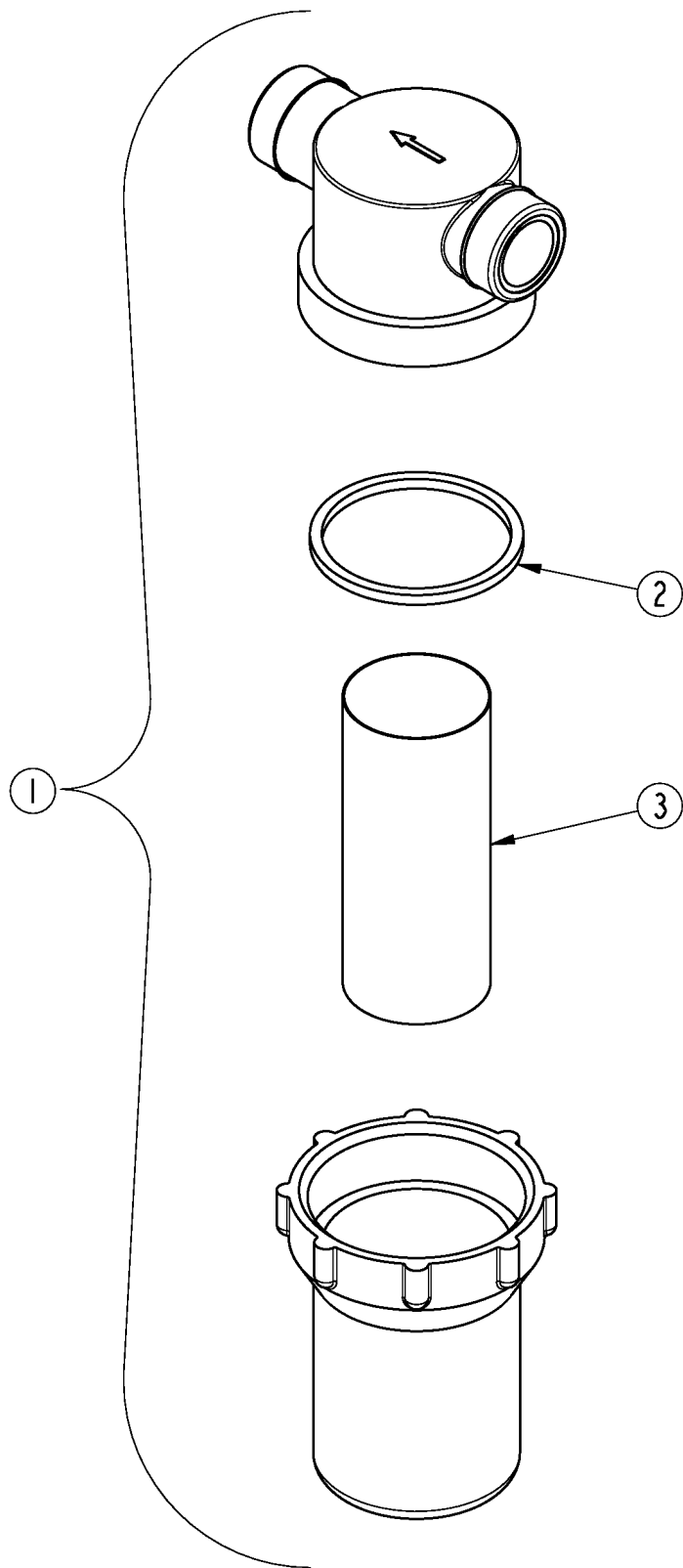
70999

**Hydraulics & Drive Components****Applies to AP-HB74, AP-HB84**

<b>Ref</b>	<b>Part No.</b>	<b>Part Description</b>	<b>Comments</b>	<b>Revision</b>
	Dwg 70999	Image No.		
1.	323-122D	GASKET FLANGE		
2.	323-124D	BRG MOUNT PLT		
3.	323-125D	SHAFT, BROOM NON-DRIVE		
4.	323-132H	WMT, MOTOR DRIVE STUB SHAFT		
5.	323-162H	WMT, MOTOR MNT		
6.	323-175D	COVER, NON-DRIVE BRG		
7.	801-231C	SCR SET SKT KCP 5/16-18X5/16NY		
8.	802-017C	HHCS 3/8-16X1 GR5		
9.	802-053C	HHCS 5/8-11X1 3/4 GR5 FTHD		
10.	802-082C	HHCS 1/2-13X1 3/4 GR5 FTHD		
11.	802-147C	HHCS 3/8-16X3 1/2 GR5		
12.	802-214C	RHSNB 1/2-13X1 1/4 GR5		
13.	803-019C	NUT LOCK 1/2-13 PLT		
14.	803-037C	NUT HEX WHIZ 1/2-13 PLT GR5		
15.	803-198C	NUT HEX WHIZ 3/8-16 PLT		
16.	803-304C	NUT HEX WHIZ 5/8-11 PLT		
17.	804-013C	WASHER LOCK SPRING 3/8 PLT		
18.	811-411C	EL 1 1/16MJIC 1 1/16MORB		
19.	816-947C	RUBBER GASKET, BROOM MOTOR		
20.	822-244C	BRG FLG 1.9375 ID 4BLT LOCK		
21.	840-263C	PUSH ON RETAINER NUT 1/2		
22.	850-304C	HYD MTR 19.6 CID 14 TOOTH		
23.	851-286C	EL 1 1/16MJIC BLKHD		
24.	851-947C	CUP 1 1/16FORB MALE QUICK CPLR		
25.	851-948C	CUP 1 1/16FORB FML QUICK CPLR		
26.	861-270C	HH3/4R16 033 7/8MORB 1.06FJIC		
27.	861-272C	HH3/4R16 112 1.06FJIC		

# Dust Suppression Kit Filter

Applies to AP-HB74, AP-HB84



72253

***Dust Suppression Kit Filter***

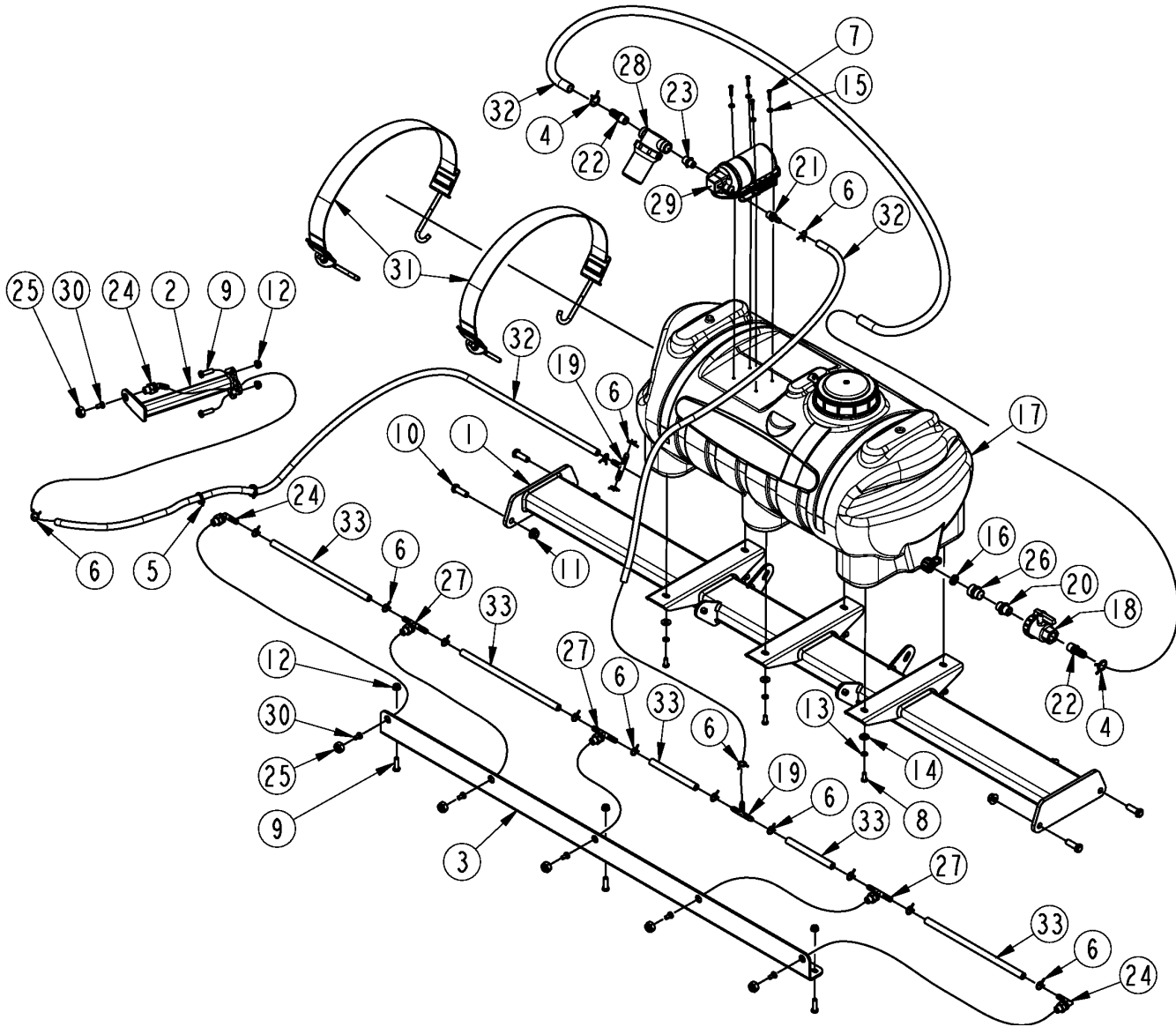
---

**Applies to AP-HB74, AP-HB84**

<b>Ref</b>	<b>Part No.</b>	<b>Part Description</b>	<b>Comments</b>	<b>Revision</b>
	Dwg 72253	Drawing Image Number		
1.	831-066C	NYLON LINE FILTER, 1/2 FNPT		
2.	CP23173-EPR	NAT. PRIDE RUBBER O-RING		
3.	CP45102-3-SSPP	NAT. PRIDE WIRE MESH SCREEN		

# Front & Gutter Broom Dust Suppression Kit

Applies to AP-HB74, AP-HB84



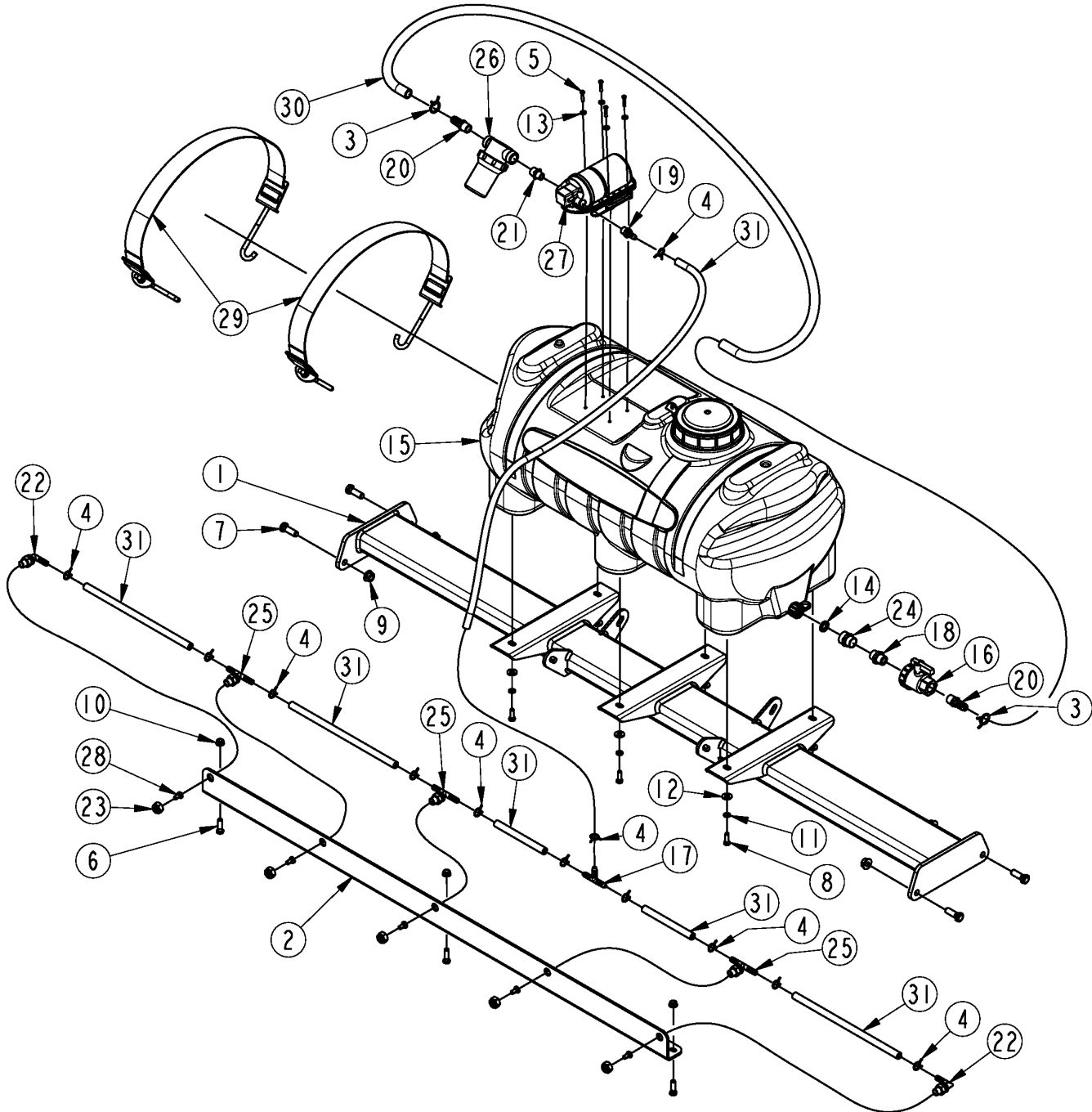
72005

**Front & Gutter Broom Dust Suppression Kit****Applies to AP-HB74, AP-HB84**

Ref	Part No.	Part Description	Comments	Revision
	Dwg 72005	Image No.		
	323-160A	HB74 GTR BRM DUST SUPPRESS KIT	HB74	
	323-164A	HB84 GTR BRM DUST SUPPRESS KIT	HB84	
		*		
1.	323-141H	WMT, 74 WATER TANK MNT	HB74	
	323-157H	WMT, 84 WATER TANK MNT	HB84	
2.	323-142H	WMT, GUTTER BROOM SPRY NZL MNT		
3.	323-147D	CHNL, 74 SPRAY NOZZLE MNT	HB74	
3.	323-168D	CHNL, 84 SPRAY NOZZLE MNT	HB84	
4.	800-029C	SINGLE WIRE HOSE CLAMP #14		
5.	800-303C	CABLE TIE 2 DIA MIN - BLK		
6.	800-381C	SINGLE WIRE HOSE CLAMP #9.5		
7.	801-236C	HSBHCS #10-24 X 1		
8.	802-007C	HHCS 5/16-18X3/4 GR5	S/N 1068810K+ Torque to 60 in-lbs or 5 ft-lbs	
8.	802-159C	HHCS 5/16-18X1 GR5	S/N 1068809K- Torque to 60 in-lbs or 5 ft-lbs	
9.	802-079C	HHCS 3/8-16X1 1/4 GR5		
10.	802-091C	HHCS 1/2-13X1 1/2 GR5		
11.	803-037C	NUT HEX WHIZ 1/2-13 PLT GR5		
12.	803-198C	NUT HEX WHIZ 3/8-16 PLT		
13.	804-009C	WASHER LOCK SPRING 5/16 PLT		
14.	804-010C	WASHER FLAT 5/16 USS PLT		
15.	804-046C	WASHER FLAT #10 SAE PLT		
16.	816-159C	WASHER FLAT RUBBER 5/8 ID		
17.	817-835C	WATER TANK 25 GAL.		
18.	829-039C	VALVE - 1/2FNPT SINGLE UN BALL		
19.	830-010C	TEE 3/8HB POLYPROP		
20.	830-041C	AD 1/2MNPT POLYPROP		
21.	830-074C	AD 3/8MNPT X 3/8HB POLYPROP		
22.	830-222C	AD 1/2MNPT X 5/8 HB POLYP		
23.	830-394C	AD 1/2MNPT X 3/8MNPT POLY		
24.	830-395C	EL BLKHD 5/8-16 X 3/8 HB		
25.	830-396C	CAP, 5/8-16 POLY NOZZLE		
26.	830-398C	AD 3/4FGHT X 1/2FNPT		
27.	830-477C	TEE BLKHD 11/16-16 X 3/8 HB		
28.	831-066C	NYLON LINE FILTER, 1/2 FNPT	See "Dust Suppresion Kit Filter" page for a parts breakdown	
29.	831-067C	PUMP,12V DC 30PSI MAX WATER		
30.	832-060C	NOZZLE TIP, BRASS TK-1.5		
31.	891-920C	STRAP KIT, WATER TANK		
32.	990-171R	HOSE 5/8 PVC	6' (Sold by the foot)	
33.	990-250R	HOSE CLEAR PVC 3/8ID X 1/8WL	HB74 = 15.5' HB84 = 16.25' (Sold by the foot)	

# Front Dust Suppression Kit

Applies to AP-HB74, AP-HB84



72004

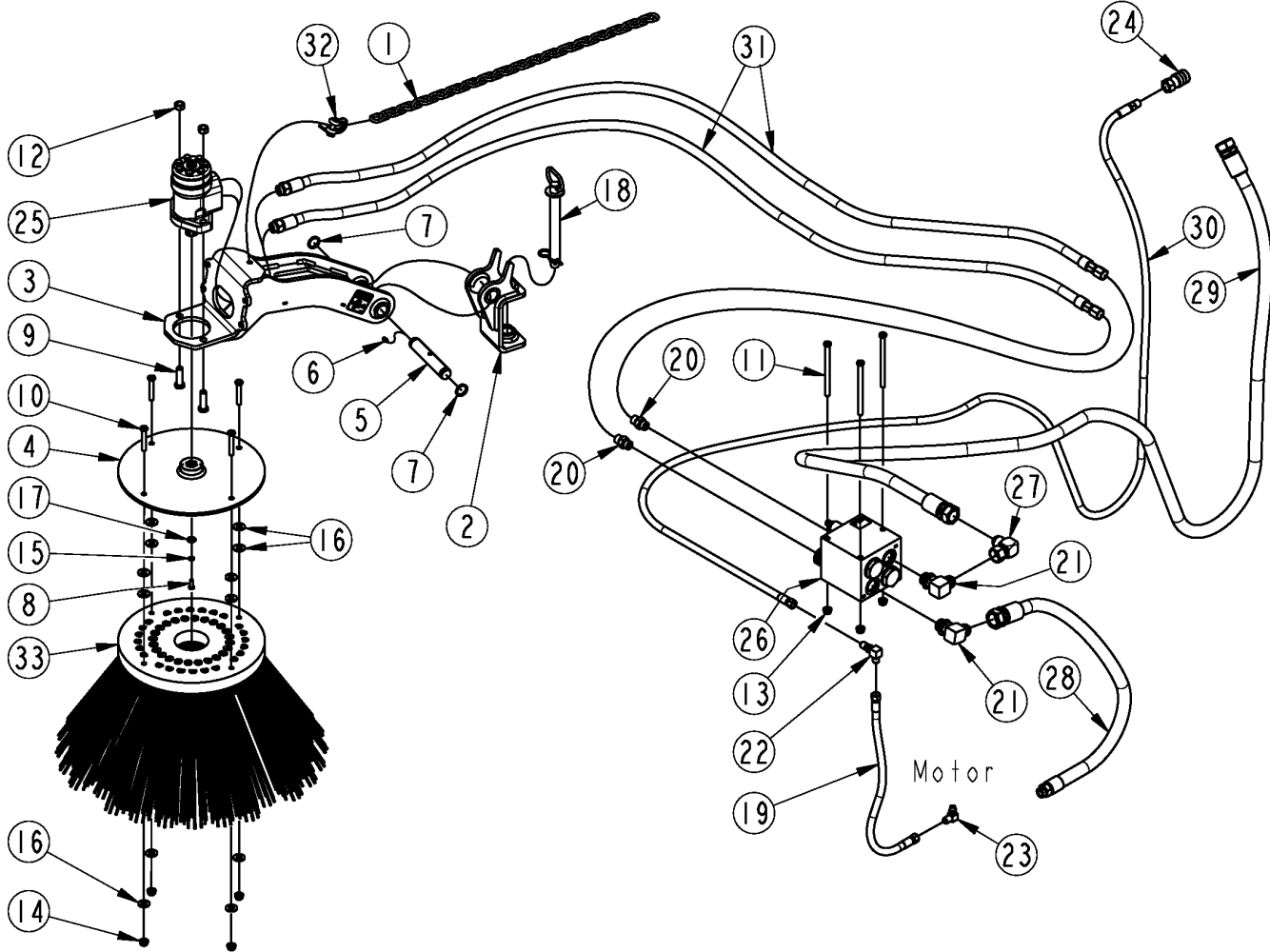


**Front Dust Suppression Kit****Applies to AP-HB74, AP-HB84**

Ref	Part No.	Part Description	Comments	Revision
	Dwg 72004	Image No.		
	323-158A	HB74 DUST SUPPRESSION KIT	HB74	
	323-159A	HB84 DUST SUPPRESSION KIT *	HB84	
1.	323-141H	WMT, 74 WATER TANK MNT	HB74	
	323-157H	WMT, 84 WATER TANK MNT	HB84	
2.	323-147D	CHNL, 74 SPRAY NOZZLE MNT	HB74	
2.	323-168D	CHNL, 84 SPRAY NOZZLE MNT	HB84	
3.	800-029C	SINGLE WIRE HOSE CLAMP #14		
4.	800-381C	SINGLE WIRE HOSE CLAMP #9.5		
5.	801-236C	HSBHCS #10-24 X 1		
6.	802-079C	HHCS 3/8-16X1 1/4 GR5		
7.	802-091C	HHCS 1/2-13X1 1/2 GR5		
8.	802-007C	HHCS 5/16-18X3/4 GR5	S/N 1068810K+ Max. torque 60 in-lbs or 5 ft-lbs	
8.	802-159C	HHCS 5/16-18X1 GR5	S/N 1068809K- Max. torque 60 in-lbs or 5 ft-lbs	
9.	803-037C	NUT HEX WHIZ 1/2-13 PLT GR5		
10.	803-198C	NUT HEX WHIZ 3/8-16 PLT		
11.	804-009C	WASHER LOCK SPRING 5/16 PLT		
12.	804-010C	WASHER FLAT 5/16 USS PLT		
13.	804-046C	WASHER FLAT #10 SAE PLT		
14.	816-159C	WASHER FLAT RUBBER 5/8 ID		
15.	817-835C	WATER TANK 25 GAL.		
16.	829-039C	VALVE - 1/2FNPT SINGLE UN BALL		
17.	830-010C	TEE 3/8HB POLYPROP		
18.	830-041C	AD 1/2MNPT POLYPROP		
19.	830-074C	AD 3/8MNPT X 3/8HB POLYPROP		
20.	830-222C	AD 1/2MNPT X 5/8 HB POLYP		
21.	830-394C	AD 1/2MNPT X 3/8MNPT POLY		
22.	830-395C	EL BLKHD 5/8-16 X 3/8 HB		
23.	830-396C	CAP, 5/8-16 POLY NOZZLE		
24.	830-398C	AD 3/4FGHT X 1/2FNPT		
25.	830-477C	TEE BLKHD 11/16-16 X 3/8 HB		
26.	831-066C	NYLON LINE FILTER, 1/2 FNPT	See "Dust Suppression Kit Filter" page for a parts breakdown	
27.	831-067C	PUMP,12V DC 30PSI MAX WATER		
28.	832-060C	NOZZLE TIP, BRASS TK-1.5		
29.	891-920C	STRAP KIT, WATER TANK		
30.	990-171R	HOSE 5/8 PVC	6' (Sold by the foot)	
31.	990-250R	HOSE CLEAR PVC 3/8ID X 1/8WL	HB74 = 8.5' HB84 = 9.25' (Sold by the foot)	

# Gutter Broom

Applies to AP-HB74, AP-HB84



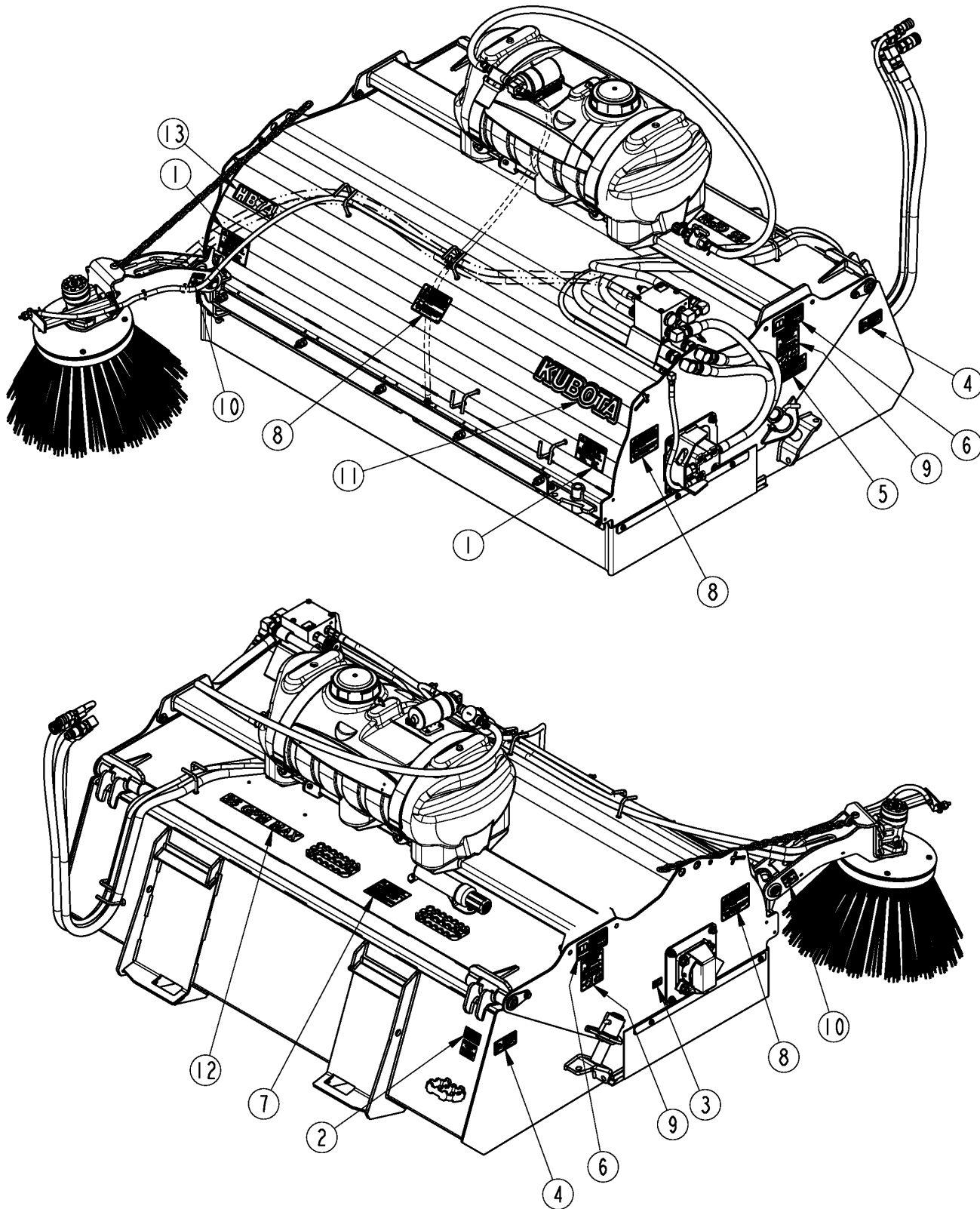
72002

**Gutter Broom****Applies to AP-HB74, AP-HB84**

<b>Ref</b>	<b>Part No.</b>	<b>Part Description</b>	<b>Comments</b>	<b>Revision</b>
	Dwg 72002 323-138A	Image No. ASY, GUTTER BROOM *		
1.	113-007D	CHAIN COIL 1/4 HIGH TEST 35 IN		
2.	323-137H	WMT, GUTTER BROOM HINGE		
3.	323-139H	WMT, GUTTER BROOM ARM		
4.	323-140H	WMT, GUTTER BROOM MNT		
5.	323-145D	PIN, GUTTER BROOM HINGE		
6.	800-001C	GREASE ZERK STRAIGHT 1/4-28		
7.	800-085C	SNAP RING EXT 1 HEAVY		
8.	802-004C	HHCS 1/4-20X3/4 GR5		
9.	802-082C	HHCS 1/2-13X1 3/4 GR5 FTHD		
10.	802-382C	HHCS 3/8-16X2 1/4 GR5		
11.	802-616C	HHCS 3/8-16X5 1/2 GR5		
12.	803-019C	NUT LOCK 1/2-13 PLT		
13.	803-198C	NUT HEX WHIZ 3/8-16 PLT		
14.	803-209C	NUT FLANGE LOCK 3/8-16 PLT		
15.	804-006C	WASHER LOCK SPRING 1/4 PLT		
16.	804-011C	WASHER FLAT 3/8 USS PLT		
17.	804-075C	WASHER FLAT 1/4 USS PLT		
18.	805-305C	PIN HTCH .88X7.0 USBL W/PIN		
19.	811-057C	HH1/4R2 020 9/16FJIC		
20.	811-088C	AD 3/4MORB 3/4MJIC		
21.	811-411C	EL 1 1/16MJIC 1 1/16MORB		
22.	811-423C	EL 9/16MJIC BLKHD W/ LN		
23.	811-719C	EL 90 9/16MJIC 7/16MORB		
24.	841-539C	CP 3/8 FEMALE QD 3/8FNPT		
25.	850-312C	HYD MTR 7.6 CID 6 TOOTH		
26.	850-316C	VALVE, GUTTER BROOM CONTROL		
27.	861-062C	EL 1.06FJIC1.06MJIC 90		
28.	861-270C	HH3/4R16 033 7/8MORB 1.06FJIC		
29.	861-272C	HH3/4R16 112 1.06FJIC_INST		
30.	861-274C	HH1/4R2 120 9/16FJIC 3/8MNPT		
31.	861-276C	HH1/2R2 100 7/8MORB 3/4FJIC		
32.	891-148C	5/16 X 1 1/4 UTILITY CLEVIS		
33.	891-822C	GUTTER BROOM		

# Decal Placement

Applies to AP-HB74, AP-HB84



72007

***Decal Placement*****Applies to AP-HB74, AP-HB84**

<b>Ref</b>	<b>Part No.</b>	<b>Part Description</b>	<b>Comments</b>	<b>Revision</b>
	Dwg 72007	Image No.		
1.	818-045C	DECAL WARNING PINCH PT/CRUSH		
2.	818-190C	DECAL FLAG		
3.	818-402C	DECAL GREASE 10 HRS RH		
4.	818-798C	DECAL WARNING PINCH POINT GEN		
5.	838-094C	DECAL WARNING HYD PRESS LONG		
6.	838-293C	DECAL WARNING READ MANUAL		
7.	844-124C	DECAL WARNING SLCA DUST PRTCLS	S/N _____+	
8.	848-372C	DECAL WARNING FLYING OBJ/ENTNG		
9.	848-392C	DECAL WARNING EYES & BREATHING		
10.	858-148C	DECAL PIC--PINCH POINT		
11.	858-399C	DECAL KUBOTA 15"		
12.	858-940C	DECAL, 25 GPM MAX		
13.	858-942C	DECAL HB74 WHITE	HB74	
13.	858-943C	DECAL HB84 WHITE	HB84	

***Kubota Touch-up Paints***

---

Applies to AP-HB74, AP-HB84

**No diagram associated with this Parts List**

***Kubota Touch-up Paints***

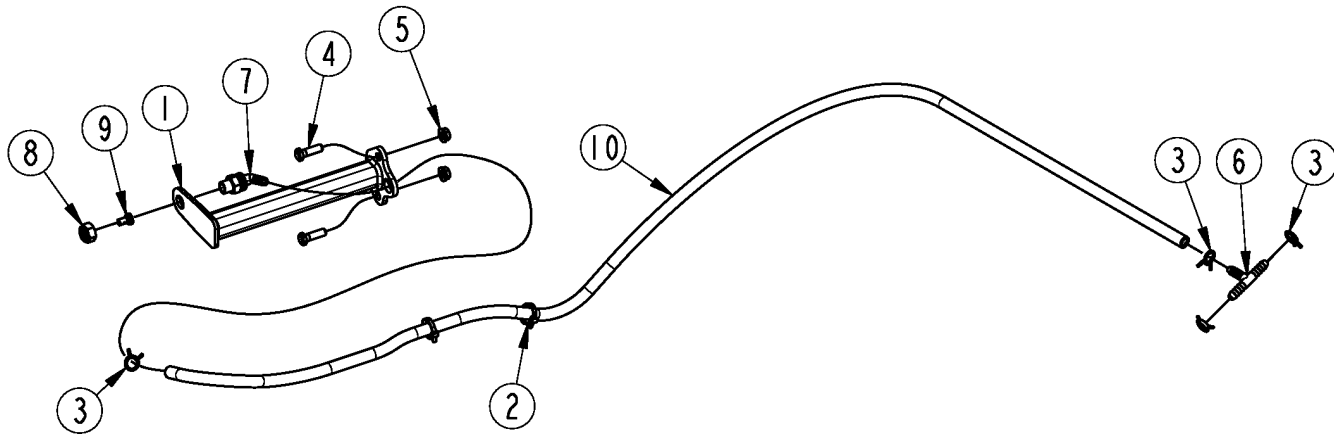
---

**Applies to AP-HB74, AP-HB84**

<b>Ref</b>	<b>Part No.</b>	<b>Part Description</b>	<b>Comments</b>	<b>Revision</b>
1.	821-070C	GLOSS BLACK SPRAY CAN	All Products	
2.	821-070CTU	GLOSS BLACK TOUCH-UP 5OZ		
3.	821-070CQT	GLOSS BLACK QUART		
4.	821-070CGL	GLOSS BLACK GALLON		

# Gutter Broom Dust Suppression Kit

Applies to AP-HB74



72008



***Gutter Broom Dust Suppression Kit*****Applies to AP-HB74**

<b>Ref</b>	<b>Part No.</b>	<b>Part Description</b>	<b>Comments</b>	<b>Revision</b>
	Dwg 72008 323-165K	Image No. HB GUTTER BRM DUST SUPRESS KIT *		
1.	323-142H	WMT, GUTTER BROOM SPRY NZL MNT		
2.	800-303C	CABLE TIE 2 DIA MIN - BLK		
3.	800-381C	SINGLE WIRE HOSE CLAMP #9.5		
4.	802-079C	HHCS 3/8-16X1 1/4 GR5		
5.	803-198C	NUT HEX WHIZ 3/8-16 PLT		
6.	830-010C	TEE 3/8HB POLYPROP		
7.	830-395C	EL BLKHD 5/8-16 X 3/8 HB		
8.	830-396C	CAP, 5/8-16 POLY NOZZLE		
9.	832-060C	NOZZLE TIP, BRASS TK-1.5		
10.	990-250R	HOSE CLEAR PVC 3/8ID X 1/8WL	7' (Sold by the foot)	



# Part Number Index

The Part Number Index is a numeric index of all part numbers included in this manual. The index shows what page(s) the part is used on.

<u>Part Number</u>	<u>Page</u>	<u>Part Number</u>	<u>Page</u>	<u>Part Number</u>	<u>Page</u>
113-007D	27	803-177C	13	851-947C	19
323-082D	7	803-198C	19, 23, 25, 27, 33	851-948C	19
323-092D	7	803-209C	27	858-148C	29
323-098D	13	803-255C	11	858-399C	29
323-113A	7	803-304C	9, 19	858-940C	29
323-114A	7	804-006C	27	858-942C	29
323-122D	19	804-007C	11	858-943C	29
323-122H	7	804-009C	23, 25	861-062C	27
323-123H	7	804-010C	23, 25	861-270C	19, 27
323-124D	19	804-011C	27	861-272C	19, 27
323-124H	9	804-012C	7	861-274C	27
323-125D	19	804-013C	19	861-276C	27
323-125H	7	804-015C	13	891-148C	27
323-126H	7	804-036C	13	891-819C	7
323-128H	13	804-046C	23, 25	891-820C	7
323-132D	13	804-075C	27	891-822C	27
323-132H	19	805-035C	13	891-920C	23, 25
323-133D	13	805-305C	27	990-171R	23, 25
323-136H	13	811-057C	27	990-250R	23, 25, 33
323-137H	27	811-088C	27	CP23173-EPR	21
323-138A	27	811-411C	19, 27	CP45102-3-SSPP	21
323-139H	27	811-423C	27	Dwg 39163	11
323-140H	27	811-719C	27	Dwg 70995	13
323-141H	23, 25	816-159C	23, 25	Dwg 70997	9
323-142H	23, 33	816-491C	13	Dwg 70999	19
323-143A	7	816-504C	11	Dwg 72001	7
323-145A	7	816-946C	9	Dwg 72002	27
323-145D	27	816-947C	19	Dwg 72004	25
323-146A	7	816-949C	13	Dwg 72005	23
323-147D	23, 25	816-950C	9	Dwg 72007	29
323-148A	7	816-953C	13	Dwg 72008	33
323-149H	9	817-323C	9	Dwg 72011	15
323-151H	13	817-835C	23, 25	Dwg 72013	17
323-157H	23, 25	818-045C	29	Dwg 72253	21
323-158A	25	818-190C	29		
323-159A	25	818-402C	29		
323-160A	23	818-798C	29		
323-162H	19	820-691C	9		
323-164A	23	820-692C	9		
323-165K	33	821-070C	31		
323-167D	13	821-070CGL	31		
323-168D	23, 25	821-070CQT	31		
323-175D	19	821-070CTU	31		
326-282S	11, 13	822-244C	19		
800-001C	13, 27	829-039C	23, 25		
800-029C	23, 25	830-010C	23, 25, 33		
800-085C	27	830-041C	23, 25		
800-303C	23, 33	830-074C	23, 25		
800-381C	23, 25, 33	830-222C	23, 25		
801-231C	19	830-394C	23, 25		
801-236C	23, 25	830-395C	23, 25, 33		
802-004C	27	830-396C	23, 25, 33		
802-005C	11	830-398C	23, 25		
802-007C	23, 25	830-477C	23, 25		
802-017C	7, 19	831-066C	21, 23, 25		
802-034C	13	831-067C	23, 25		
802-053C	19	832-060C	23, 25, 33		
802-079C	23, 25, 33	838-094C	29		
802-082C	19, 27	838-293C	29		
802-091C	23, 25	840-263C	19		
802-128C	7	841-539C	27		
802-147C	19	844-124C	29		
802-159C	13, 23, 25	848-372C	29		
802-214C	19	848-392C	29		
802-288C	9	850-304C	15, 19		
802-382C	27	850-312C	17, 27		
802-616C	27	850-316C	27		
803-019C	7, 19, 27	850-410C	15		
803-037C	19, 23, 25	850-411C	17		
803-123C	7	851-286C	19		

***This Page Intentionally Left Blank***



**KUBOTA TRACTOR CORPORATION**  
1000 Kubota Drive, Grapevine, TX 76051  
Telephone: (817) 756-1171

Western Division: 1175 S. Guild Ave., Lodi, CA 95240  
Telephone: (209) 334-9910

Central Division: 14855 FAA Blvd., Fort Worth, TX 76155  
Telephone: (817) 571-0900

Northern Division: 6300 at One Kubota Way, Groveport, OH 43125  
Telephone: (614) 835-1100

Southeast Division: 1025 Northbrook Parkway, Suwanee, GA 30024  
Telephone: (770) 995-8855

[www.kubota.com](http://www.kubota.com)

---