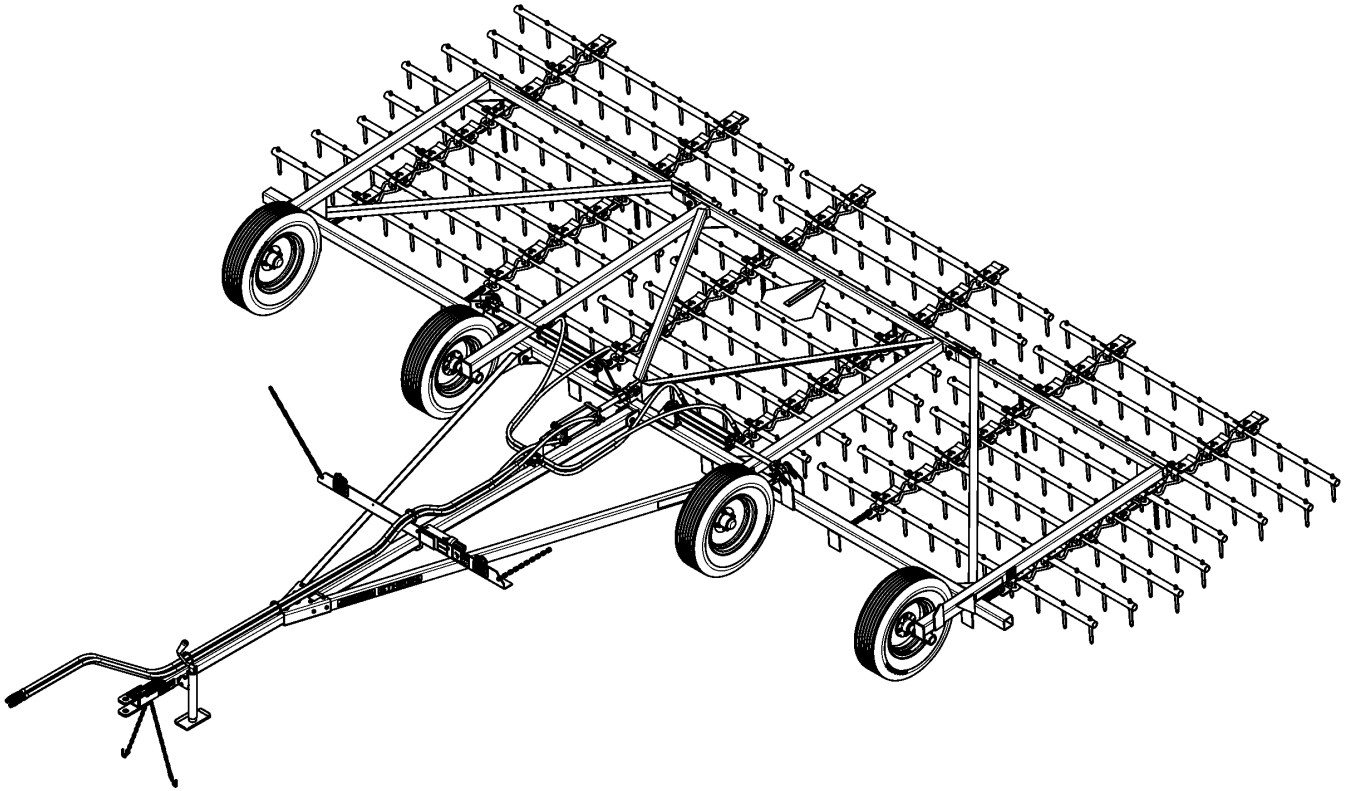


Spike Tooth Harrow

STH2024



30897

322-315P **Parts Manual**



Read the Operator's Manual entirely. When you see this symbol, the subsequent instructions and warnings are serious - follow without exception. Your life and the lives of others depend on it!

© Copyright 2018 Printed 07/10/18

Cover photo may show optional equipment not supplied with standard unit.





Table of Contents

| | |
|---|-----------|
| Section 1: Introduction..... | 4 |
| Using This Manual..... | 4 |
| Manual Replacement Information..... | 4 |
| Manual Revisions..... | 4 |
| Touch-up Paint..... | 4 |
| Hardware Legend..... | 5 |
| Replacement Hardware..... | 5 |
| Serial Numbers..... | 5 |
| Part Number Service Coding..... | 5 |
| Section 2: Transport Components..... | 6 |
| Transport Tire Components..... | 6 |
| Transport Tongue Components..... | 8 |
| Section 3: Harrow Components..... | 10 |
| Center Harrow Gang Components..... | 10 |
| Harrow Frame Components..... | 12 |
| Harrow Gang LH Components..... | 14 |
| Harrow Gang RH Components..... | 16 |
| Light Kit..... | 18 |
| Section 4: Hydraulics..... | 20 |
| Hydraulic Components..... | 20 |
| Hydraulic Cylinder (810-713C)..... | 22 |
| Hydraulic Cylinder (810-714C)..... | 24 |
| Section 5: Decals..... | 26 |
| Decal Placement..... | 26 |
| Land Pride Touch-up Paints..... | 28 |
| | |
| Part Number Index..... | 30 |

© Copyright 2018. All rights reserved.

Land Pride provides this publication “as is” without warranty of any kind, either expressed or implied. While every precaution has been taken in the preparation of this manual, Land Pride assumes no responsibility for errors or omissions. Neither is any liability assumed for damages resulting from the use of the information contained herein. Land Pride reserves the right to revise and improve its products as it sees fit. This publication describes the state of this product at the time of its publication, and may not reflect the product in the future. The illustrations in this manual are not intended for safe and proper assembly or disassembly of equipment. The illustrations are intended for ordering parts only.

Land Pride is registered trademark.

All other brands and product names are trademarks or registered trademarks of their respective holders.

Printed in the United States of America.



Alphabetized Table of Contents

| | |
|------------------------------------|----|
| C | |
| Center Harrow Gang Components..... | 10 |
| D | |
| Decal Placement..... | 26 |
| H | |
| Harrow Frame Components..... | 12 |
| Harrow Gang LH Components..... | 14 |
| Harrow Gang RH Components..... | 16 |
| Hydraulic Components..... | 20 |
| Hydraulic Cylinder (810-713C)..... | 22 |
| Hydraulic Cylinder (810-714C)..... | 24 |
| L | |
| Land Pride Touch-up Paints..... | 28 |
| Light Kit..... | 18 |
| T | |
| Transport Tire Components..... | 6 |
| Transport Tounge Components..... | 8 |

General Information

Using This Manual

This manual is divided into sections. The first section contains General Information. The remaining sections divide the machine into segments (i.e. Frames, Drives, Hydraulics, etc.) which illustrate and list all parts. A Parts Number Index is located at the back of the book.

The Land Pride parts in this manual are specially designed for this machine and should be replaced with Land Pride parts only.

The information in this manual is current at time of printing. Some parts may change to assure top performance.

Right-hand and left-hand as used in this manual are determined by facing the direction the machine will travel while in use.

Below is an example of two facing pages from a parts manual. Familiarize yourself with the type of information contained on these pages.

Manual Replacement Information

Replacement manuals are available. Refer to our website at www.landpride.com or e-mail us at lit@landpride.com for additional information. Our website continues to provide the most up-to-date manuals available.

Touch-up Paint

Repaint parts where paint is worn or scratched to prevent rust. Aerosol cans and touch-up bottles with brush applicator are available through your local dealer. Also available are quart and gallon size paints. Add QT or GL to end of the Aerosol P/N.

Land Pride color descriptions and part numbers are listed on the "Land Pride Touch-up Paints" page in the "Decals" section of this book. Color options vary by product.



General Information

Hardware Legend

| | |
|-----------------|--|
| AR | As Required |
| BLADE | Blade Bolt |
| C | Cap Screw |
| CP | Cotter Pin |
| CPHSSS | Cup Point Hex Socket Set Screw |
| CPSHSS | Cup Point Square Head Set Screw |
| CPSQHSS | Cup Point Square Head Set Screw |
| CRFCHMS3 | Cross Recess Flat Countersunk Head Machine Screw |
| CRPHMS | Cross Recess Pan Head Machine Screw |
| CRPHTF | Cross Recess Pan Head Thread Forming |
| CRRHMS | Cross Recess Round Head Machine Screw |
| CRTHMS | Cross Recess Truss Head Machine Screw |
| CSNB | Countersunk Square Neck Bolt |
| FHMS | Flat Head Machine Screw |
| FTC | Full Thread Cap Screw |
| H | Hex Nut |
| HCLN | Hex Center Lock Nut |
| HFLCS | Hex Flange Lock Cap Screw |
| HFS | Hex Flange Screw |
| HFSLN | Hex Flange Serrated Lock Nut |
| HFSS | Hex Flange Serrated Screw |
| HHCS | Hex Head Cap Screw or Metric Bolt |
| HSBHCS | Hex Socket Button Head Cap Screw |
| HSFCHCS | Hex Socket Flat Countersunk Head Cap Screw |
| HSHCS | Hex Socket Head Cap Screw |
| HSSS | Hex Socket Head Screw |
| HTLN | Hex Top Lock Nut |
| HWHCS | Hex Washer Head Cap Screw |

| | |
|-----------------------|---|
| HWHMS | Hex Washer Head Machine Screw |
| HXBHCS | Hex Socket Button Head Cap Screw |
| J | Hex Jam Nut |
| JIC | 37 Degree Tapered Thread |
| L | Helical Spring Lock Washer |
| LUG | Lug Bolt |
| NFC | National Fine Cap Screw |
| NPSM | National Pipe Straight Mechanical |
| NPTF | National Pipe Taper Fuel |
| P | Wide Plain Washer |
| PHMS | Pan Head Machine Screw |
| PLOW | Plow Bolt |
| RHMS | Round Head Machine Screw |
| RHSNB | Round Head Square Neck Bolt |
| SCREW LEVELING | Leveling Screw |
| SCREW THUMB | Thumb Screw |
| SCREW WELD | Weld Screw |
| SFCHMS | Slotted Flat Countersunk Head Machine Screw |
| SFHMS | Slotted Fillister Head Machine Screw |
| SP | Special |
| SP SCREW | Special Screw |
| SOHSS | Square Head Set Screw |
| SRHMS | Slotted Round Head Machine Screw |
| SSS | Socket Set Screw |
| STCS | Self Tapping Cap Screw |
| STHMS | Slotted Truss Head Machine Screw |
| WHEEL | Wheel Studs and Hub Long Bolts |
| WING | Wing Bolt |

Replacement Hardware

The **Hardware Legend** above lists hardware abbreviations used in the parts list. All bolts and nuts are Grade 5 unless otherwise noted. The use of improper grades of hardware can result in personal injury, damage to equipment, or loss of property.

Colored Replacement Parts

Land Pride offers replacement parts in factory standard colors and also on select models in Green, Orange, Red and Blue. Because of the variety of colors available, special attention must be given to the part number to prevent ordering the wrong replacement part.

A suffix number corresponding to one of the colors below must be added at the end of Land Pride's part number when ordering a replacement part with that color.

81 Green 83 Red
82 Orange 84 Blue

For example, if you are ordering a replacement part with part number 555-555C and the part you need is red, then add the suffix 83 to the end of the number to make the part number read 555-555C83. Parts ordered without a suffix number will be supplied in factory standard colors.

Black Replacement Parts

Some parts are factory standard black and some must be special ordered black. If your part is special ordered black, a second part number with the additional suffix number 85 on the end will be available. In this situation you must order that part with the suffix number for it to be black. Parts that are factory standard black will not have the suffix number.

Part Number Service Coding

Within the parts list some part numbers are coded for revisions and interchangeability. See notations in revision column.

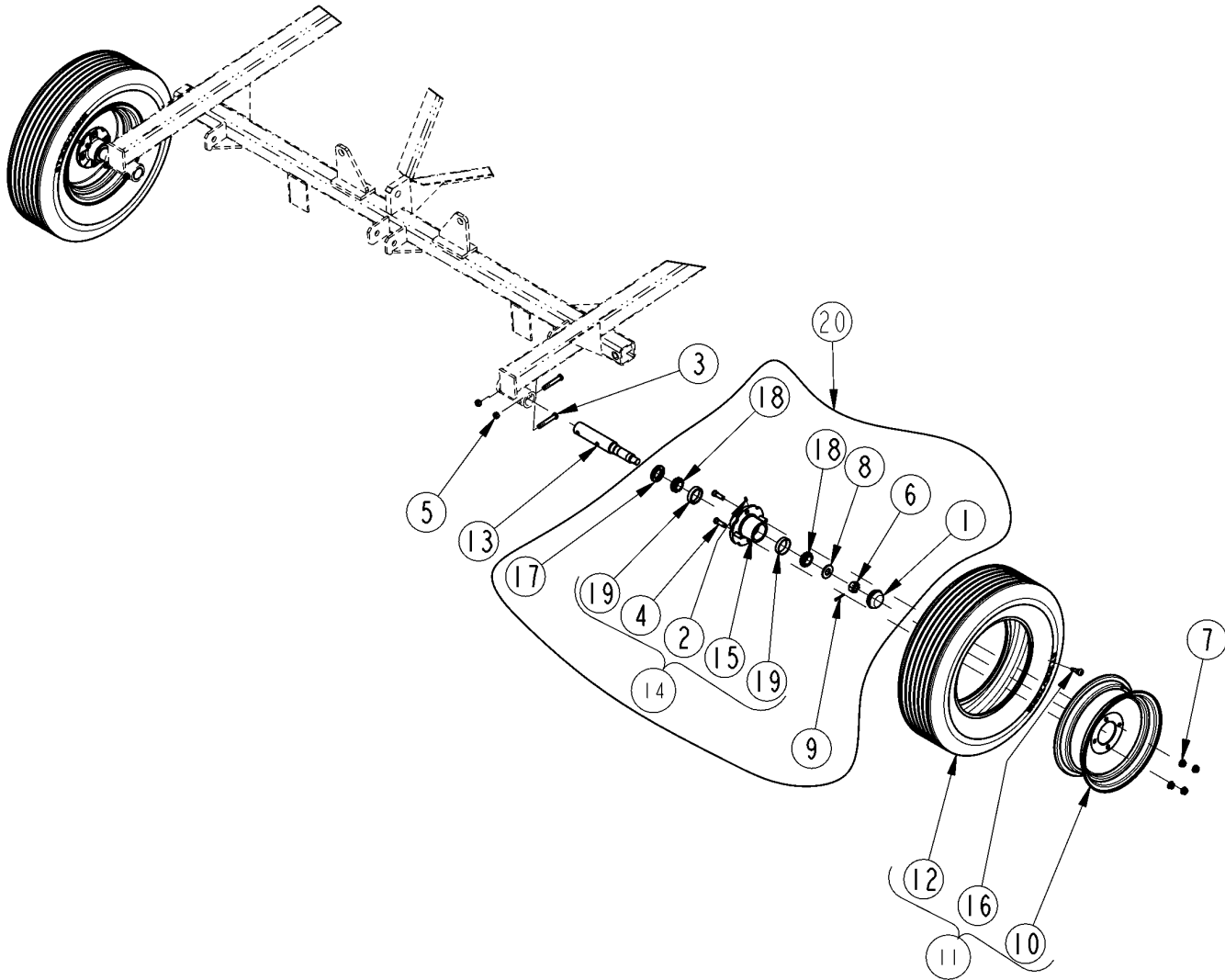
Serial Numbers

Always use the serial and model number when ordering parts. Refer to the Operator's Manual for serial number plate location.

- (S/N 20001+) Includes serial numbers 20001 and above (to the latest number)
- (S/N 10001 to 20000) Includes serial numbers between and including 10001 and 20000
- (S/N 10000-) Includes serial numbers 10000 and below (to the earliest number)

Transport Tire Components

Applies to STH2024



30899

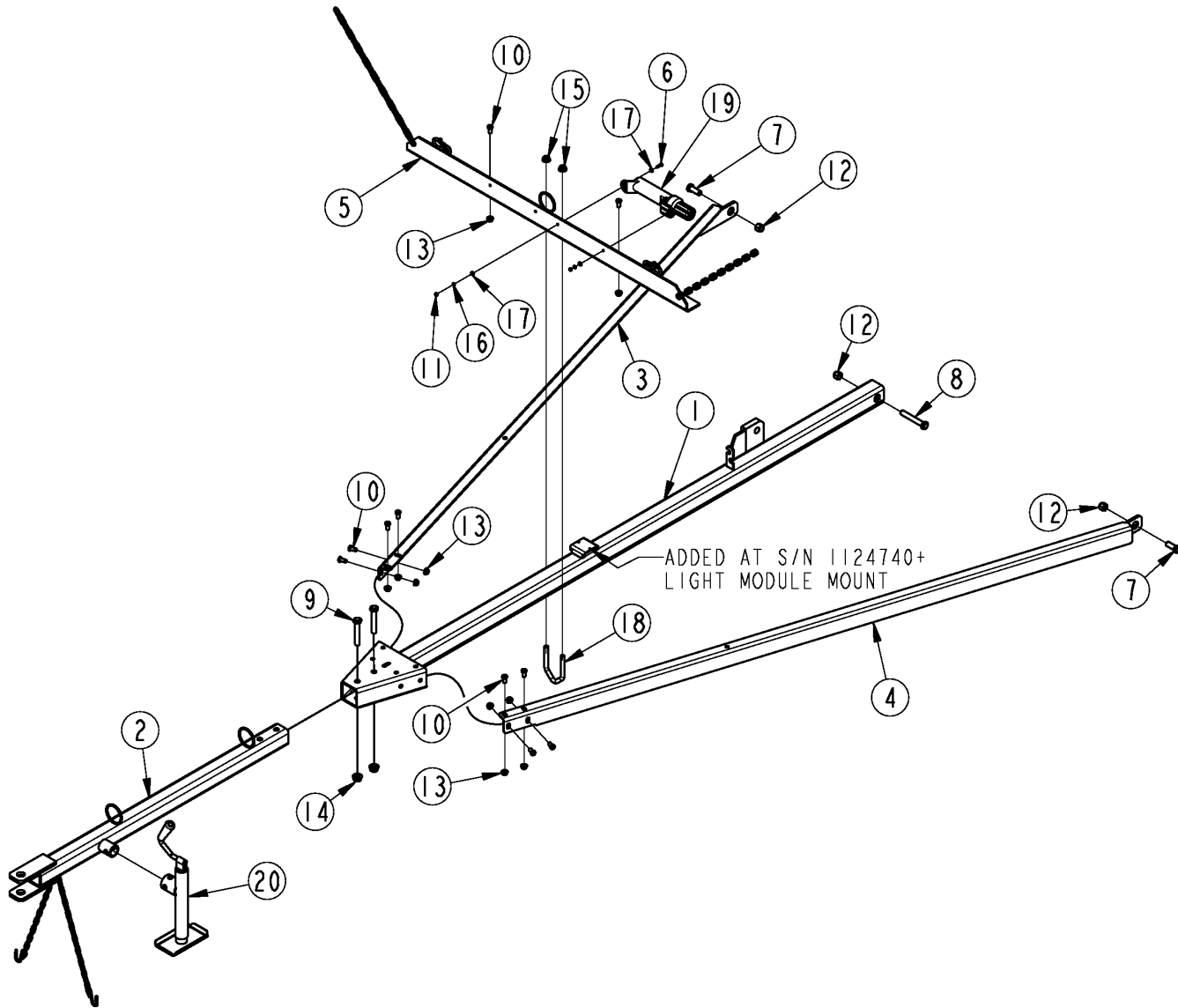
Transport Tire Components

Applies to STH2024

| Ref | Part No. | Part Description | Comments | Revision |
|------------|-----------------|--------------------------------|-----------------|-----------------|
| | dwg30899 | Drawing Image Number | | |
| 1. | 200-001D | HUB GREASE CAP | | |
| 2. | 800-001C | GREASE ZERK STRAIGHT 1/4-28 | | |
| 3. | 802-099C | HHCS 1/2-13X3 1/4 GR5 | | |
| 4. | 802-135C | HUB STUD 1/2-20X1 5/8 GR5 | | |
| 5. | 803-019C | NUT LOCK 1/2-13 PLT | | |
| 6. | 803-029C | NUT HEX SLOTTED 7/8-14 PLT | | |
| 7. | 803-308C | NUT HEX FLG/LK 1/2-20 PLT GR G | | |
| 8. | 804-055C | WASHER SPINDLE - 7/8 | | |
| 9. | 805-016C | PIN COTTER 3/16 X 1 1/4 PLT | | |
| 10. | 814-066C | WHEEL 15 X 5 X 4 BOLT | | |
| 11. | 814-403C | WHEEL ST205/75R15 W/4BOLT RIM | | |
| 12. | 814-404C | TIRE ST205/75R15 (LOAD 1820) | | |
| 13. | 815-108C | SPINDLE - SINGLE AXLE BOLT ON | | |
| 14. | 815-230C | HUB 4 BLT W/CUPS, ZERK & STUDS | | |
| 15. | N/A | HUB 4BLT DUCTILE(USE 815-230C) | | |
| 16. | 816-035C | VALVE STEM TR415X.625X1 1/4 LG | | |
| 17. | 816-098C | SEAL 1 3/8 ID X 2.441 OD X.313 | | |
| 18. | 822-091C | BRG 1.25ID CONE 15123 | | |
| 19. | 822-092C | BRG CUP 2.44OD 15245 | | |
| 20. | 815-236C | HUB 4 BOLT COMPLETE | | |

Transport Tounge Components

Applies to STH2024



30898

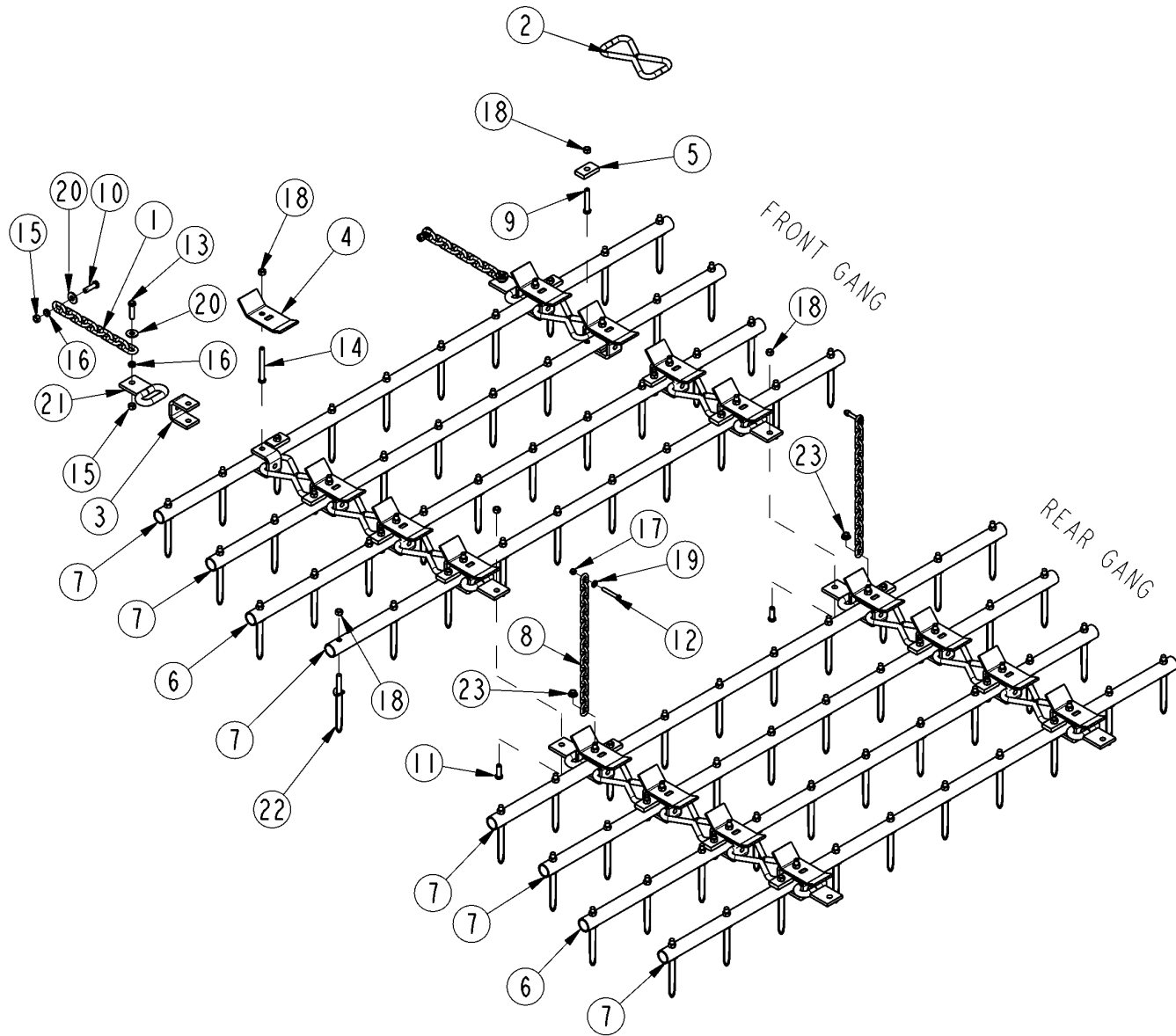
Transport Tounge Components

Applies to STH2024

| Ref | Part No. | Part Description | Comments | Revision |
|------------|-----------------|--------------------------------|-----------------|-----------------|
| | Dwg 30898 | Drawing Image Number | | |
| 1. | 322-340H | MAIN TUBE HITCH REAR WLDMT | | |
| 1. | 322-340H82 | MAIN HITCH REAR WLDMT ORANGE | | |
| 2. | 322-341H | MAIN TUBE HITCH FRONT WLDMT | | |
| 2. | 322-341H82 | MAIN HITCH FRONT WLDMT ORANGE | | |
| 3. | 322-342H | SIDE RAIL RH WLDMT | | |
| 3. | 322-342H82 | SIDE RAIL RH WLDMT ORANGE | | |
| 4. | 322-343H | SIDE RAIL LH WLDMT | | |
| 4. | 322-343H82 | SIDE RAIL LH WLDMT ORANGE | | |
| 5. | 322-344H | CARRIER CROSS SUPPORT WLDMT | | |
| 5. | 322-344H82 | CARRIER CROSS SPPRT WLD ORANGE | | |
| 6. | 802-005C | HHCS 1/4-20X1 GR5 | | |
| 7. | 802-064C | HHCS 3/4-10X2 GR5 | | |
| 8. | 802-069C | HHCS 3/4-10X5 GR5 | | |
| 9. | 802-192C | HHCS 3/4-10X4 1/2 GR5 | | |
| 10. | 802-258C | HHCS 1/2-13X1 GR5 | | |
| 11. | 803-006C | NUT HEX 1/4-20 PLT | | |
| 12. | 803-025C | NUT HEX 3/4-10 PLT NYLOCK | | |
| 13. | 803-169C | NUT HEX FLG LOCK 1/2-13 PLT | | |
| 14. | 803-181C | NUT HEX FLANGE LOCK 3/4-10 PLT | | |
| 15. | 803-263C | NUT HEX FLANGE LOCK 5/8-11 PLT | | |
| 16. | 804-006C | WASHER LOCK SPRING 1/4 PLT | | |
| 17. | 804-007C | WASHER FLAT 1/4 SAE PLT | | |
| 18. | 806-227C | U-BOLT 5/8-11 X 3.06 3-CORNER | | |
| 19. | 816-504C | MANUAL STORAGE CONTAINER | | |
| 20. | 890-118C | SCREW JACK 2000# 14-24 TOP-WND | | |

Center Harrow Gang Components

Applies to STH2024



30902

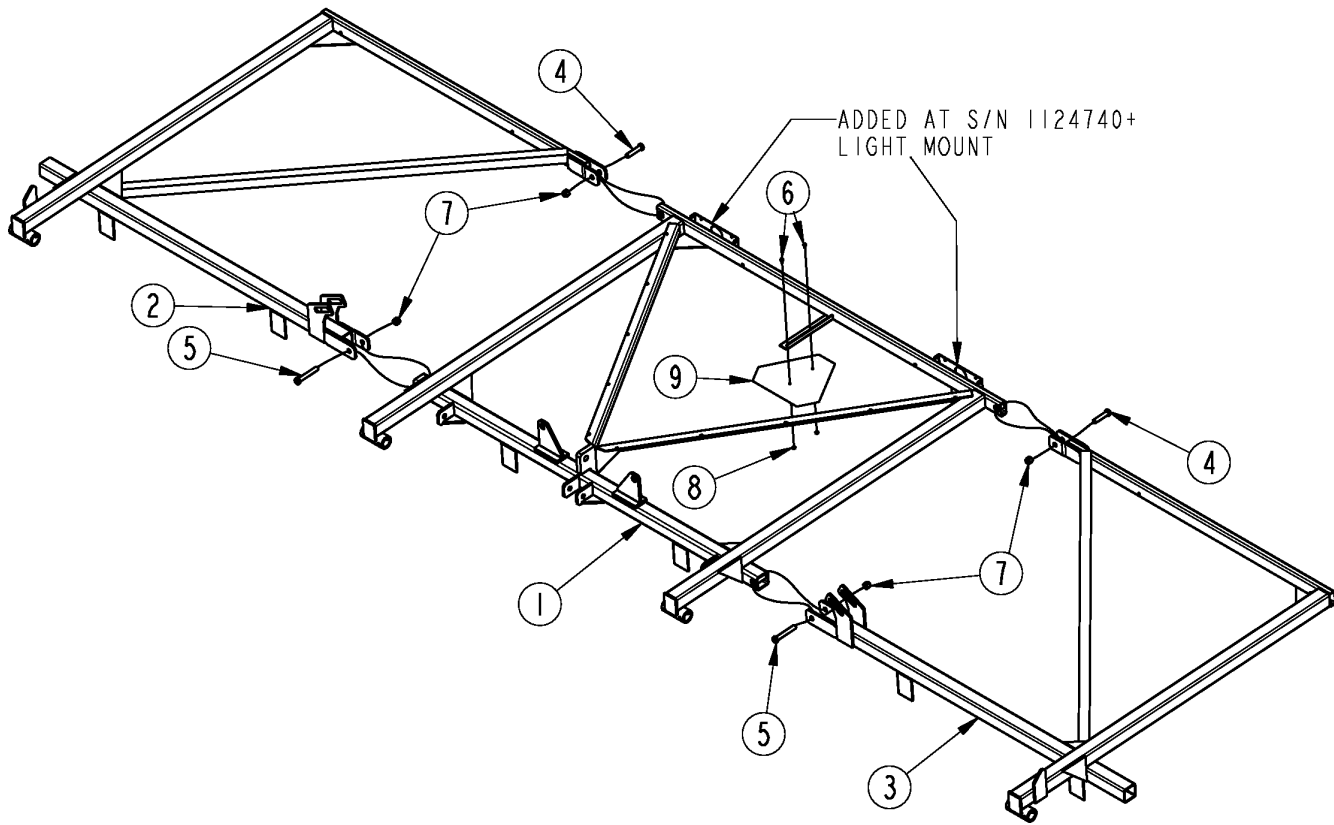
Center Harrow Gang Components

Applies to STH2024

| Ref | Part No. | Part Description | Comments | Revision |
|------------|-----------------|-------------------------------|-----------------|-----------------|
| | dwg30902 | Drawing Image Number | | |
| 1. | 322-318D | CHAIN 3/8 HIGH TEST 10 LINKS | | |
| 2. | 564-037H | BOW TIE ASSY | | |
| 3. | 564-081D | U-CLEVIS | | |
| 4. | 564-082D | TOOTH ANGLE PLATE | | |
| 5. | 564-083D | ANTI TURN BLOCK | | |
| 6. | 564-088D | DRAG BAR 7.5FT #3 | | |
| 7. | 564-089D | DRAG BAR 7.5FT #1, 2, 4 | | |
| 8. | 564-090D | CHAIN 5/16 HIGH TEST 17 LINKS | | |
| 9. | 802-039C | HHCS 1/2-13X3 GR5 | | |
| 10. | 802-082C | HHCS 1/2-13X1 3/4 GR5 | | |
| 11. | 802-091C | HHCS 1/2-13X1 1/2 GR5 | | |
| 12. | 802-114C | HHCS 3/8-16X2 1/2 GR5 | | |
| 13. | 802-128C | HHCS 1/2-13X2 GR5 | | |
| 14. | 802-413C | HHCS 1/2-13X4 1/2 GR5 | | |
| 15. | 803-019C | NUT LOCK 1/2-13 PLT | | |
| 16. | 803-036C | NUT HEX JAM 1/2-13 PLT | | |
| 17. | 803-078C | NUT LOCK 3/8-16 NYLON INSERT | | |
| 18. | 803-342C | NUT HEX TOP LOCK 1/2-13 PLT | | |
| 19. | 804-012C | WASHER FLAT 3/8 SAE PLT | | |
| 20. | 804-017C | WASHER FLAT 1/2 USS PLT | | |
| 21. | 891-237C | PULL TAB ASSY | | |
| 22. | 891-238C | HARROW TOOTH - 8 1/2" DIAMOND | | |
| 23. | 803-169C | NUT HEX FLG LOCK 1/2-13 PLT | | |

Harrow Frame Components

Applies to STH2024



30900

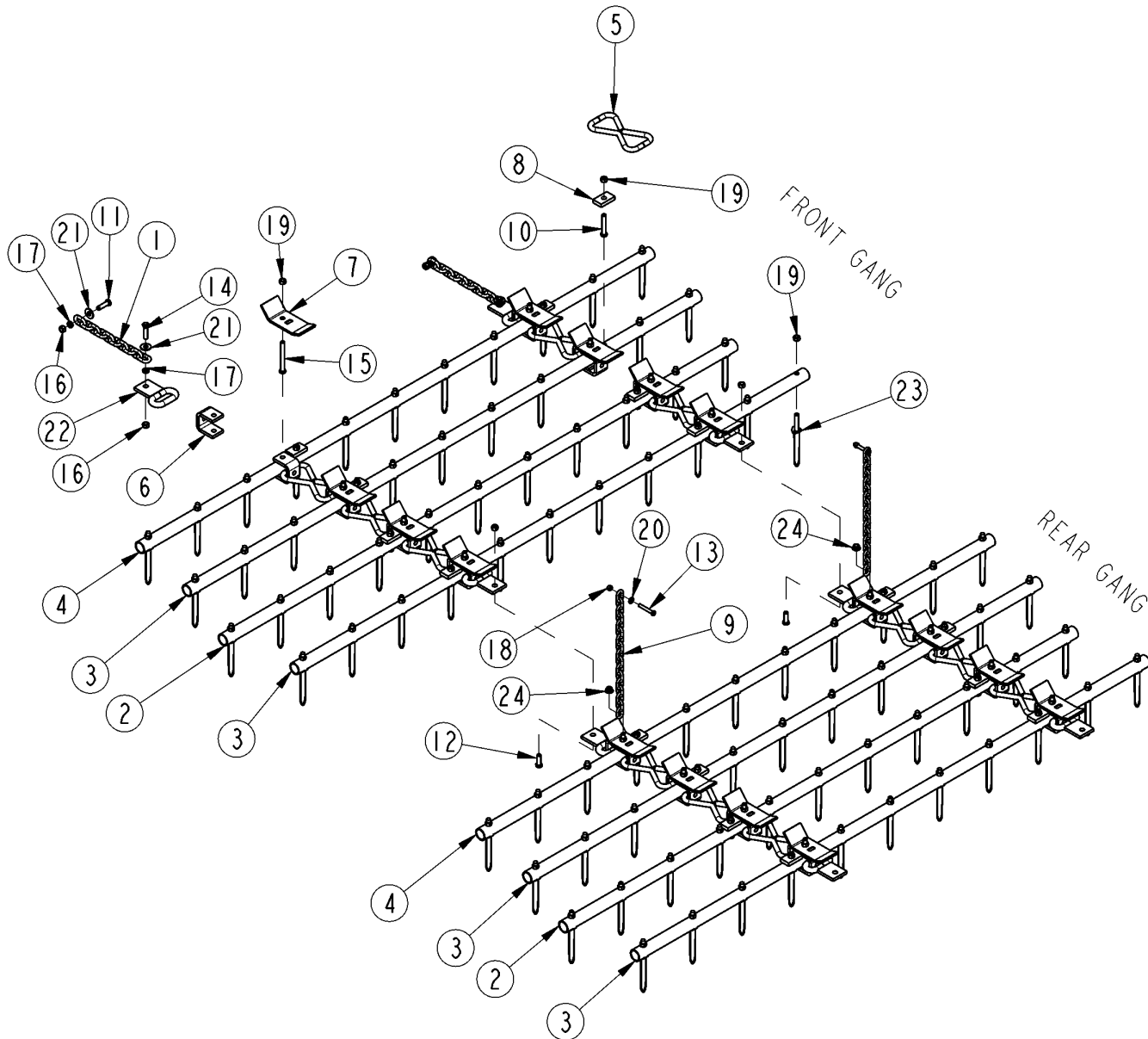
Harrow Frame Components

Applies to STH2024

| Ref | Part No. | Part Description | Comments | Revision |
|------------|-----------------|--------------------------------|-----------------|-----------------|
| | Dwg 30900 | Drawing Image Number | | |
| 1. | 322-322H | CENTER SECTION FRAME WLDMT | | |
| 1. | 322-322H82 | CENTER FRAME WLDMNT ORANGE | | |
| 2. | 322-324H | RH WING WELDMENT | | |
| 2. | 322-324H82 | RH WING WELDMENT ORANGE | | |
| 3. | 322-326H | LH WING WELDMENT | | |
| 3. | 322-326H82 | LH WING WELDMENT ORANGE | | |
| 4. | 802-066C | HHCS 3/4-10X3 1/2 GR5 | | |
| 5. | 802-069C | HHCS 3/4-10X5 GR5 | | |
| 6. | 802-196C | HFSS 1/4-20X5/8 GR5 | | |
| 7. | 803-025C | NUT HEX 3/4-10 PLT NYLOCK | | |
| 8. | 803-230C | NUT HEX FLANGE 1/4-20 PLT | | |
| 9. | 818-055C | DECAL SLOW MOVING-GALV. BACKED | | |

Harrow Gang LH Components

Applies to STH2024



30901

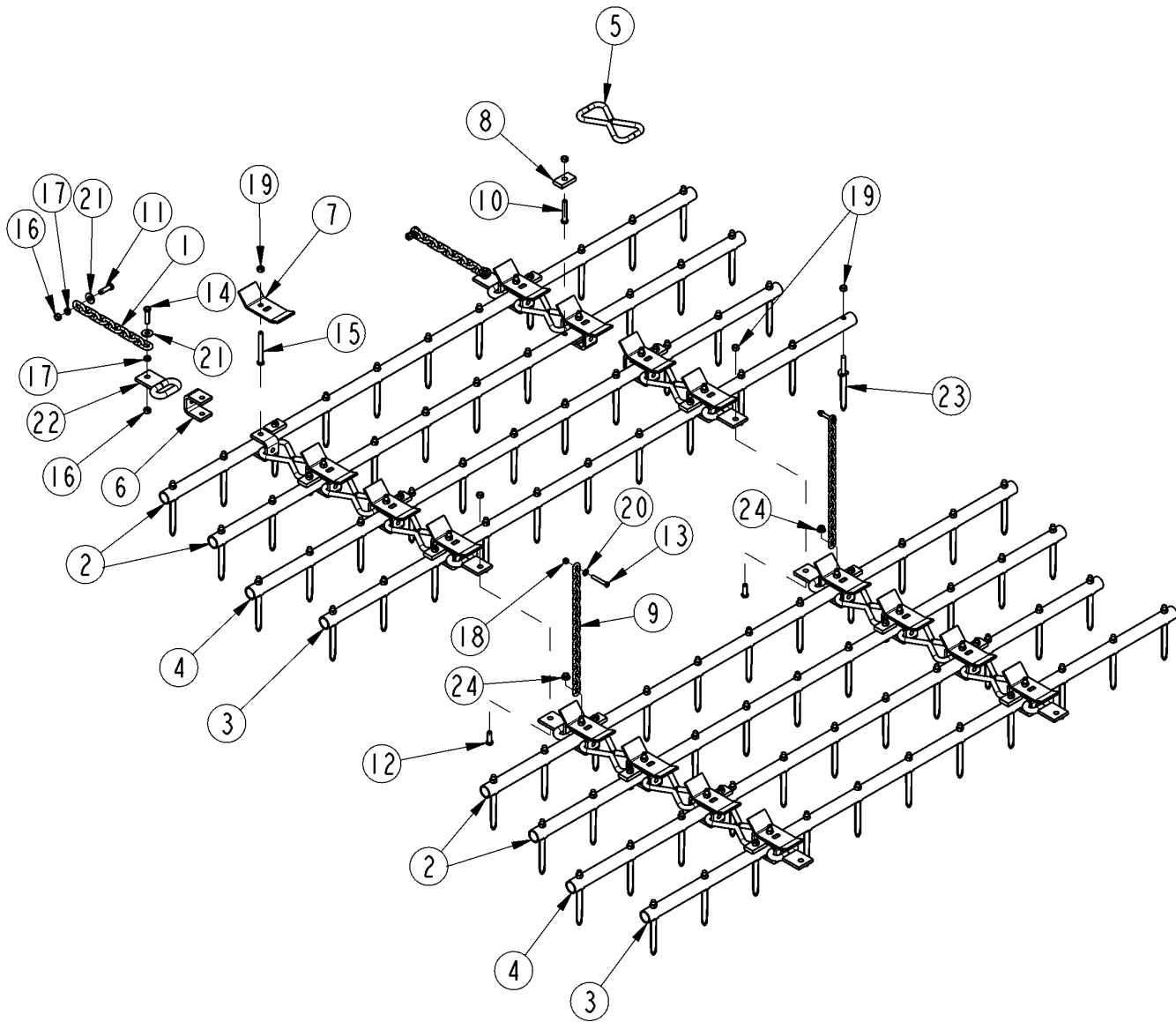
Harrow Gang LH Components

Applies to STH2024

| Ref | Part No. | Part Description | Comments | Revision |
|------------|-----------------|-------------------------------|-----------------|-----------------|
| | dwg30901 | Drawing Image Number | | |
| 1. | 322-318D | CHAIN 3/8 HIGH TEST 10 LINKS | | |
| 2. | 322-319D | DRAG BAR 7.75 FT 2 HOLE | | |
| 3. | 322-320D | DRAG BAR 7.75 FT 1 HOLE | | |
| 4. | 322-321D | DRAG BAR 7.75 FT 1 HOLE | | |
| 5. | 564-037H | BOW TIE ASSY | | |
| 6. | 564-081D | U-CLEVIS | | |
| 7. | 564-082D | TOOTH ANGLE PLATE | | |
| 8. | 564-083D | ANTI TURN BLOCK | | |
| 9. | 564-090D | CHAIN 5/16 HIGH TEST 17 LINKS | | |
| 10. | 802-039C | HHCS 1/2-13X3 GR5 | | |
| 11. | 802-082C | HHCS 1/2-13X1 3/4 GR5 | | |
| 12. | 802-091C | HHCS 1/2-13X1 1/2 GR5 | | |
| 13. | 802-114C | HHCS 3/8-16X2 1/2 GR5 | | |
| 14. | 802-128C | HHCS 1/2-13X2 GR5 | | |
| 15. | 802-413C | HHCS 1/2-13X4 1/2 GR5 | | |
| 16. | 803-019C | NUT LOCK 1/2-13 PLT | | |
| 17. | 803-036C | NUT HEX JAM 1/2-13 PLT | | |
| 18. | 803-078C | NUT LOCK 3/8-16 NYLON INSERT | | |
| 19. | 803-342C | NUT HEX TOP LOCK 1/2-13 PLT | | |
| 20. | 804-012C | WASHER FLAT 3/8 SAE PLT | | |
| 21. | 804-017C | WASHER FLAT 1/2 USS PLT | | |
| 22. | 891-237C | PULL TAB ASSY | | |
| 23. | 891-238C | HARROW TOOTH - 8 1/2" DIAMOND | | |
| 24. | 803-169C | NUT HEX FLG LOCK 1/2-13 PLT | | |

Harrow Gang RH Components

Applies to STH2024



30903

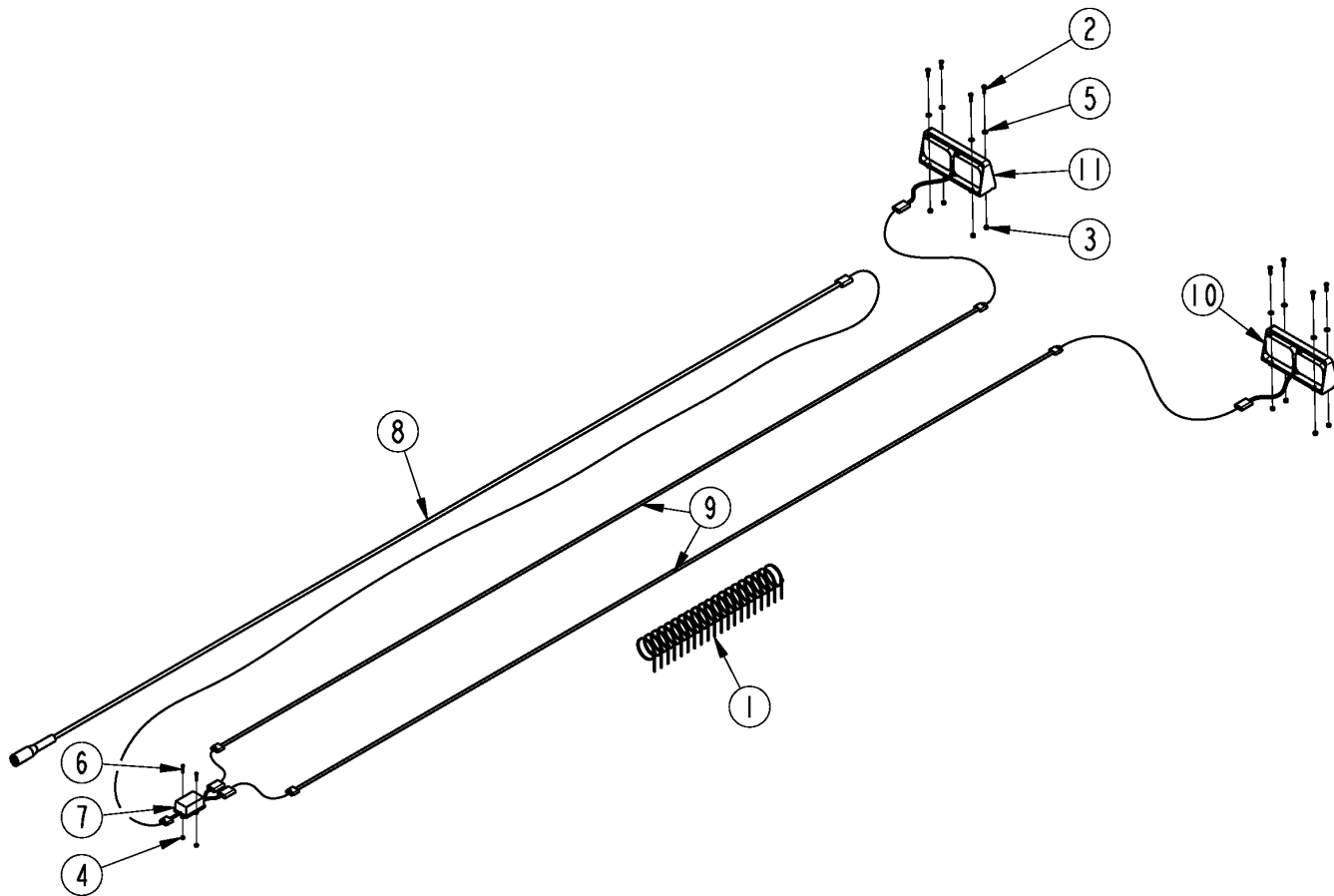
Harrow Gang RH Components

Applies to STH2024

| Ref | Part No. | Part Description | Comments | Revision |
|------------|-----------------|-------------------------------|-----------------|-----------------|
| | dwg30903 | Drawing Image Number | | |
| 1. | 322-318D | CHAIN 3/8 HIGH TEST 10 LINKS | | |
| 2. | 322-320D | DRAG BAR 7.75 FT 1 HOLE | | |
| 3. | 322-321D | DRAG BAR 7.75 FT 1 HOLE | | |
| 4. | 322-322D | DRAG BAR 7.75 FT 2 HOLE | | |
| 5. | 564-037H | BOW TIE ASSY | | |
| 6. | 564-081D | U-CLEVIS | | |
| 7. | 564-082D | TOOTH ANGLE PLATE | | |
| 8. | 564-083D | ANTI TURN BLOCK | | |
| 9. | 564-090D | CHAIN 5/16 HIGH TEST 17 LINKS | | |
| 10. | 802-039C | HHCS 1/2-13X3 GR5 | | |
| 11. | 802-082C | HHCS 1/2-13X1 3/4 GR5 | | |
| 12. | 802-091C | HHCS 1/2-13X1 1/2 GR5 | | |
| 13. | 802-114C | HHCS 3/8-16X2 1/2 GR5 | | |
| 14. | 802-128C | HHCS 1/2-13X2 GR5 | | |
| 15. | 802-413C | HHCS 1/2-13X4 1/2 GR5 | | |
| 16. | 803-019C | NUT LOCK 1/2-13 PLT | | |
| 17. | 803-036C | NUT HEX JAM 1/2-13 PLT | | |
| 18. | 803-078C | NUT LOCK 3/8-16 NYLON INSERT | | |
| 19. | 803-342C | NUT HEX TOP LOCK 1/2-13 PLT | | |
| 20. | 804-012C | WASHER FLAT 3/8 SAE PLT | | |
| 21. | 804-017C | WASHER FLAT 1/2 USS PLT | | |
| 22. | 891-237C | PULL TAB ASSY | | |
| 23. | 891-238C | HARROW TOOTH - 8 1/2" DIAMOND | | |
| 24. | 803-169C | NUT HEX FLG LOCK 1/2-13 PLT | | |

Light Kit

Applies to STH2024



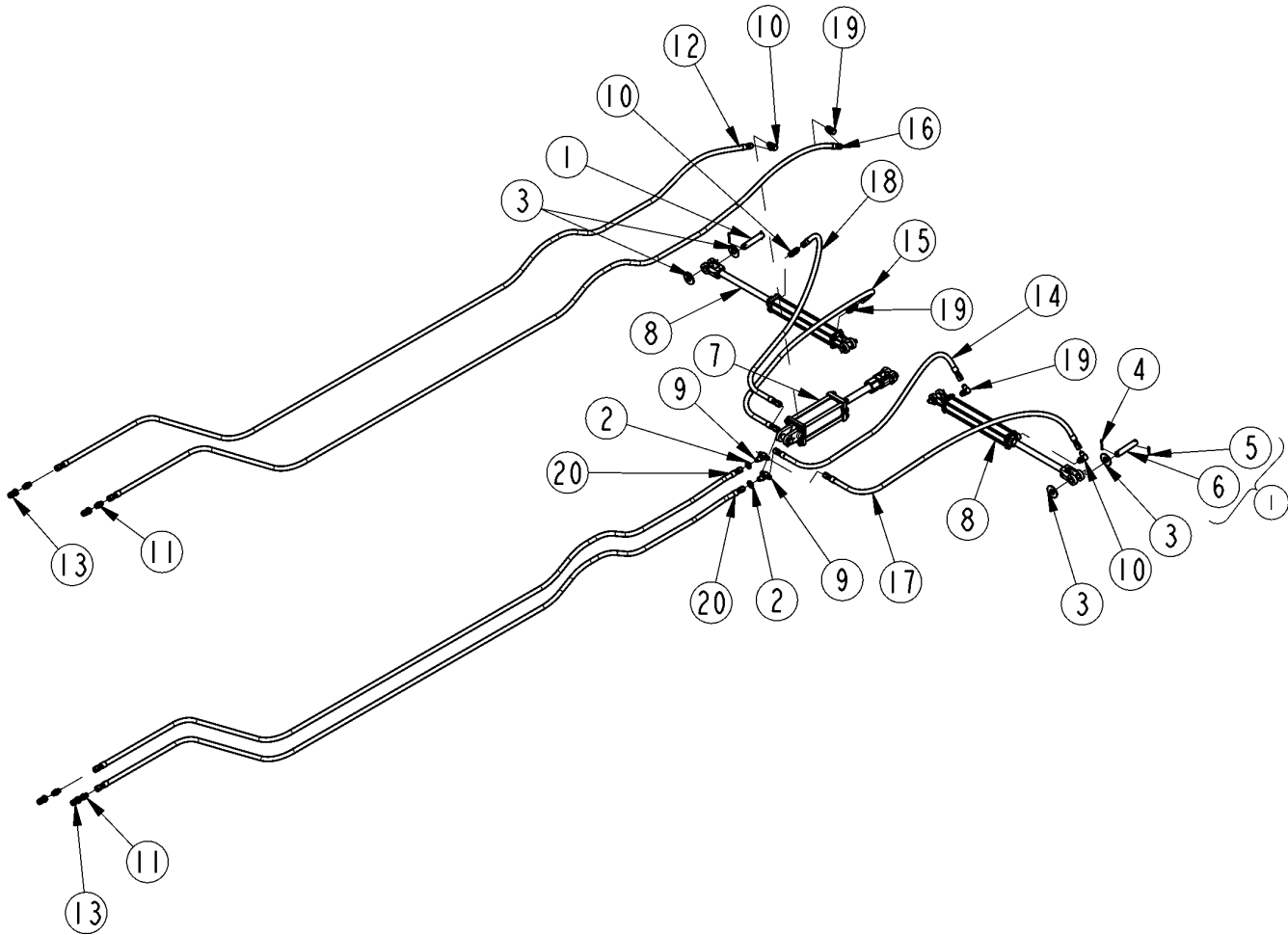
70025

Light Kit**Applies to STH2024**

| Ref | Part No. | Part Description | Comments | Revision |
|-----|-----------------------|--|-------------------------|----------|
| | Dwg 70025 322-368L | Image No. STH20 INCANDESCENT LIGHT KIT * | | |
| 1. | 800-060C | CABLE TIE .19X14.25 3DIA 50LB | | |
| 2. | 802-005C | HHCS 1/4-20X1 GR5 | | |
| 3. | 803-255C | NUT HEX NYLOCK 1/4-20 | | |
| 4. | 803-268C | NUT HEX NYLOCK 10-24 PLT | | |
| 5. | 804-007C | WASHER FLAT 1/4 SAE PLT | | |
| 6. | 842-265C | HHCS #10-24X1 GR5 | | |
| 7. | 891-531C | ENHANCE MODULE | | |
| 8. | 891-533C | LEAD WIRE HARNESS 13' | | |
| 9. | 891-792C | LIGHT WIRE HARNESS 12' | | |
| 10. | 891-794C | DUAL INCANDESCENT LIGHT LH | Complete light assembly | |
| 10. | J-AC1-15-A | AMBER INCANDESCENT LENS COVER | Amber lens cover | |
| 10. | J-AC1-15-B | BLACK LENS COVER | Black lens cover | |
| 10. | J-AC1-15-R | RED INCANDESCENT LENS COVER | Red lens cover | |
| 10. | 1157 | INCANDESCENT BULB | Bulb | |
| 11. | 891-795C | DUAL INCANDESCENT LIGHT RH | Complete light assembly | |
| 11. | J-AC1-15-A | AMBER INCANDESCENT LENS COVER | Amber lens cover | |
| 11. | J-AC1-15-B | BLACK LENS COVER | Black lens cover | |
| 11. | J-AC1-15-R | RED INCANDESCENT LENS COVER | Red lens cover | |
| 11. | 1157 | INCANDESCENT BULB | Bulb | |

Hydraulic Components

Applies to STH2024



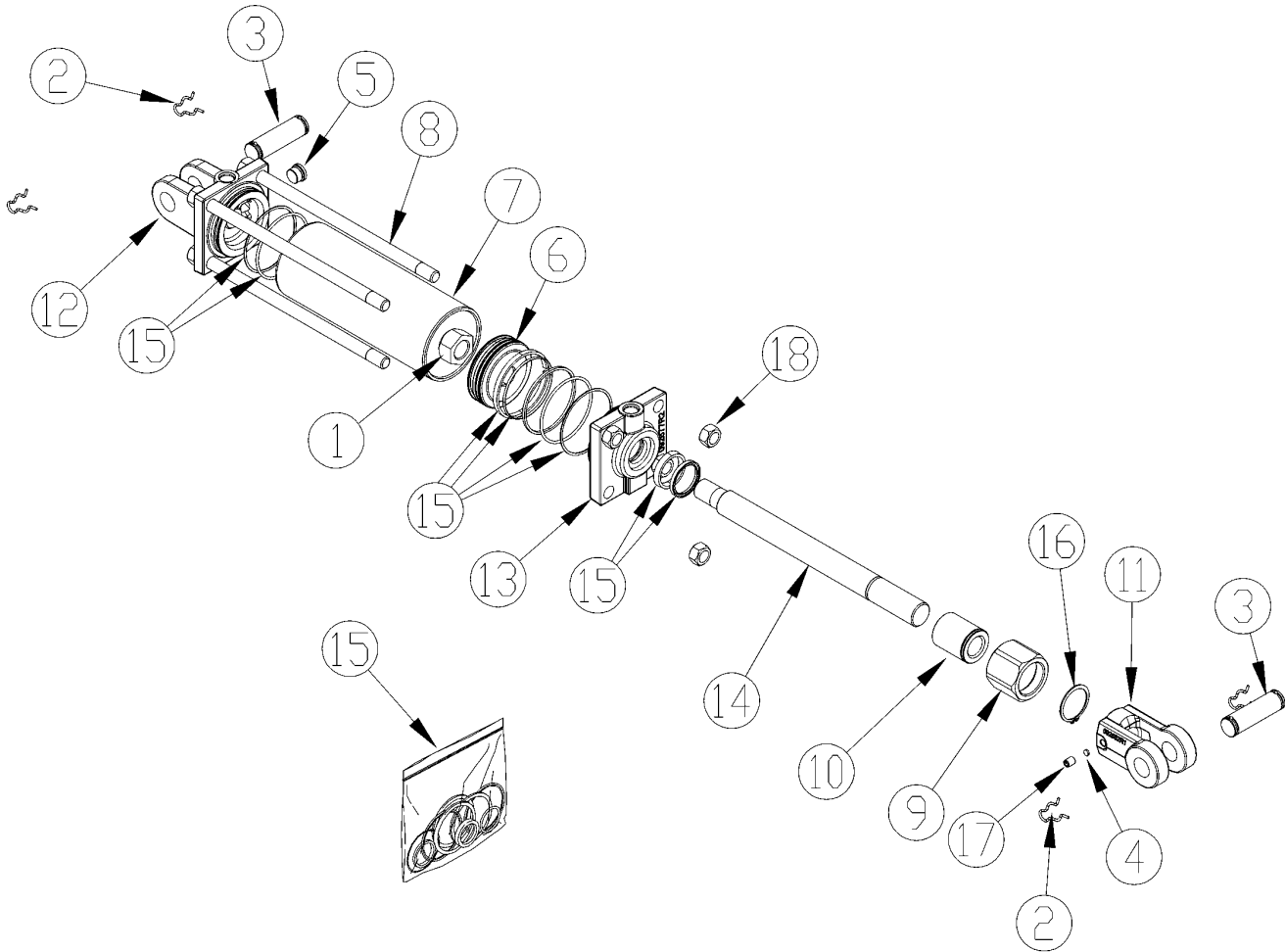
30905

Hydraulic Components**Applies to STH2024**

| Ref | Part No. | Part Description | Comments | Revision |
|------------|-----------------|--------------------------------|-----------------|-----------------|
| | dwg30905 | Drawing Image Number | | |
| 1. | 300-077S | PIVOT PIN ASSY | | |
| 2. | 804-017C | WASHER FLAT 1/2 USS PLT | | |
| 3. | 804-028C | WASHER FLAT 1 USS PLT | | |
| 4. | 805-017C | PIN COTTER 3/16 X 1 3/4 PLT | | |
| 5. | 805-041C | PIN ROLL 1/4X1 3/4 | | |
| 6. | 805-205C | PIN 1 OD X 4 7/32 USABLE | | |
| 7. | 810-713C | CYL 3 1/2X8X1.25 ROD (TIE ROD) | | |
| 8. | 810-714C | CYL 2X14X1.12 ROD (TIE ROD) | | |
| 9. | 811-039C | TE 3/4MJICBH 3/4MJIC 3/4MJIC | | |
| 10. | 811-063C | EL 3/4MJIC 3/4MORB | | |
| 11. | 811-088C | AD 3/4MORB 3/4MJIC | | |
| 12. | 811-310C | HH3/8R2 198 3/4FJIC | | |
| 13. | 811-394C | CP 3/4FORB MALE QD POPPET TYPE | | |
| 14. | 811-685C | HH3/8R2 048 3/4FJIC 3/4FJIC | | |
| 15. | 811-685C | HH3/8R2 048 3/4FJIC 3/4FJIC | | |
| 16. | 811-884C | HH3/8R2 206 3/4FJIC | | |
| 17. | 841-022C | HH3/8R2 059 3/4FJIC | | |
| 18. | 841-022C | HH3/8R2 059 3/4FJIC | | |
| 19. | 841-205C | OREL 1/32 3/4MJIC 3/4MORB | | |
| 20. | 841-274C | HH3/8R2 191 3/4FJIC | | |

Hydraulic Cylinder (810-713C)

Applies to STH2024



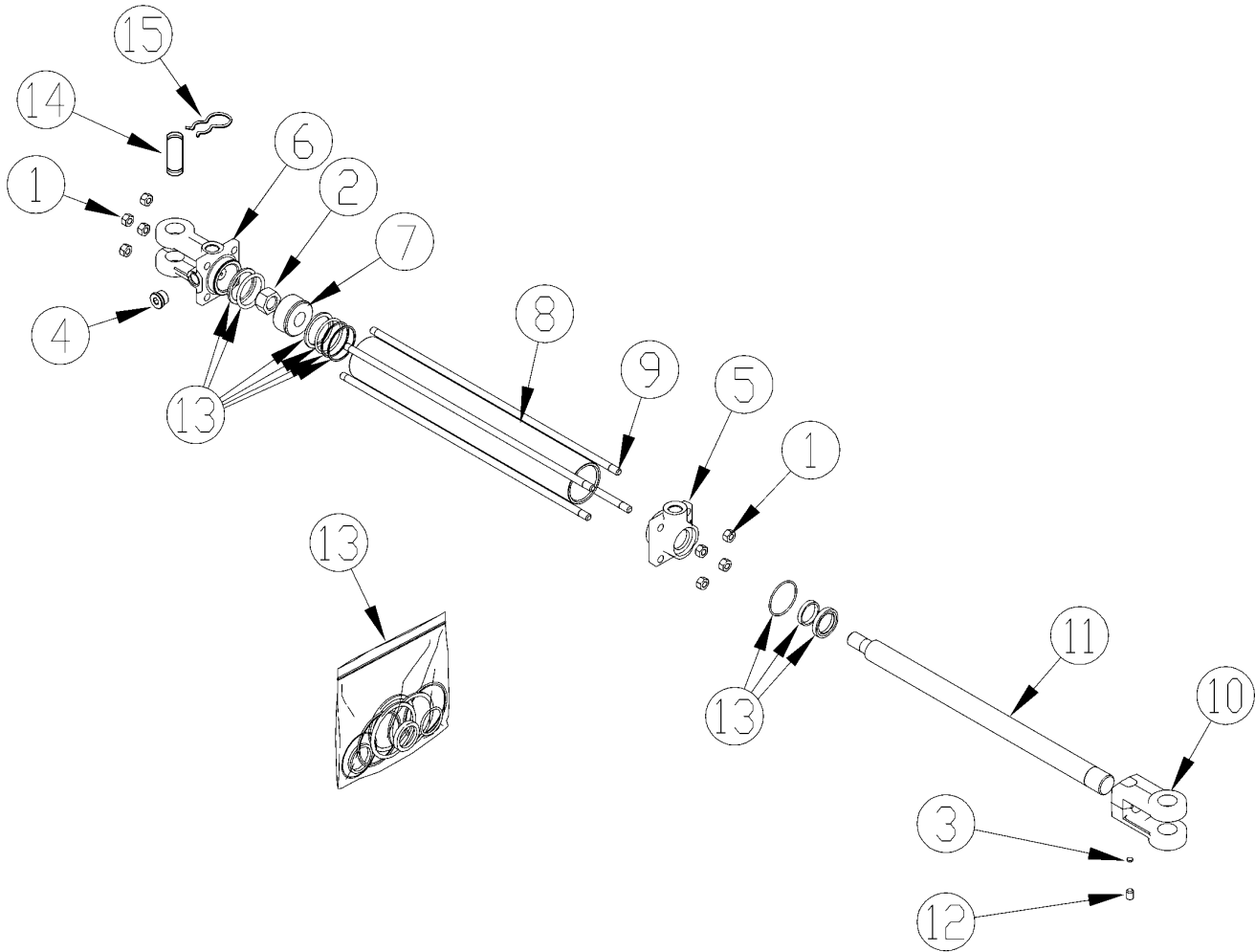
30908

Hydraulic Cylinder (810-713C)**Applies to STH2024**

| Ref | Part No. | Part Description | Comments | Revision |
|------------|-----------------|--------------------------------|-----------------|-----------------|
| | Dwg 30908 | Drawing Image Number | | |
| 1. | 130560 | MON PISTON NUT | | |
| 2. | 134952 | LION PIN CLIP-CLEVIS | | |
| 3. | 134953 | LION PIN | | |
| 4. | 148000 | MON SET SCREW 3/8INC ONE PIECE | | |
| 5. | 186562 | LION PLUG 3/4-16UNF SOCKET HD | | |
| 6. | 258827 | MON PISTN 3.50-1.00-TSS-ISO-WR | | |
| 7. | 491798 | LION CYL. TUBE 3.5 X 8 | | |
| 8. | 492338 | LION TIE ROD 5/8 X 8 | | |
| 9. | 492611 | MON NUT CYLINDER STOP | | |
| 10. | 492612 | MON THREADED COLLAR | | |
| 11. | 492652 | LION ROD CLEVIS 1 1/4 (1PIN) | | |
| 12. | 492676 | LION CLEVIS CAP 3.5 ORB | | |
| 13. | 494286 | MON ROD CAP3.5-1.25-3/4ORB-TSS | | |
| 14. | 492700 | LION ROD 1.25 DIA. ASAE 8 | | |
| 15. | 810-885C | MON SEAL KIT 620279 | | |
| 16. | 800-365C | SNAP RING EXT 1.772 | | |
| 17. | 801-023C | SCREW SET SH 3/8-16X3/8 TYPE C | | |
| 18. | 803-022C | NUT HEX 5/8-18 PLT | | |

Hydraulic Cylinder (810-714C)

Applies to STH2024



30907

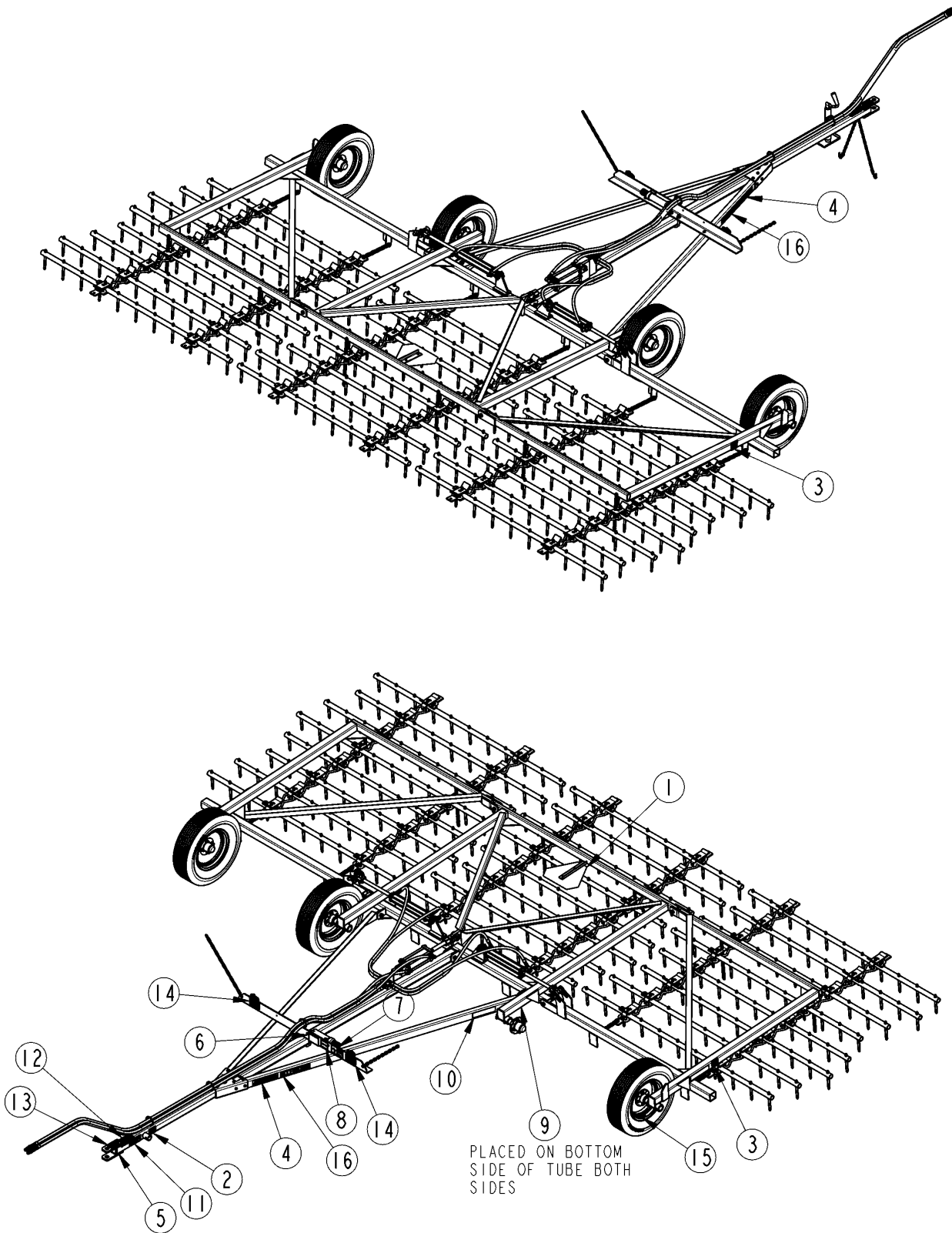
Hydraulic Cylinder (810-714C)

Applies to STH2024

| Ref | Part No. | Part Description | Comments | Revision |
|------------|-----------------------|--|-----------------|-----------------|
| | dwg 30907 810-714C | Drawing Image Number CYL 2X14X1.12 ROD (TIE ROD) * | | |
| 1. | 803-014C | NUT HEX 3/8-16 PLT | | |
| 2. | 130556 | MON PISTON NUT | | |
| 3. | 148000 | MON SET SCREW 3/8INC ONE PIECE | | |
| 4. | 186562 | LION PLUG 3/4-16UNF SOCKET HD | | |
| 5. | 494270 | MON ROD CAP2.0-1.12-3/4ORB-TSS | | |
| 6. | 292672 | MON CLEVIS CAP | | |
| 7. | 258851 | MON PISTON 2.00-.75-TSS-ISO-WR | | |
| 8. | 491614 | MON TUBE | | |
| 9. | 492224 | MON TIE ROD | | |
| 10. | 492650 | LION ROD CLEVIS 1 1/8-12UNF | | |
| 11. | 492854 | MON ROD | | |
| 12. | 801-023C | SCREW SET SH 3/8-16X3/8 TYPE C | | |
| 13. | 810-883C | MON SEAL KIT 620271 | | |
| 14. | 134953 | LION PIN | | |
| 15. | 134952 | LION PIN CLIP-CLEVIS | | |

Decal Placement

Applies to STH2024



30906

Decal Placement**Applies to STH2024**

| Ref | Part No. | Part Description | Comments | Revision |
|------------|-----------------|--------------------------------|-----------------|-----------------|
| | dwg30906 | Drawing Image Number | | |
| 1. | 818-055C | DECAL SLOW MOVING-GALV. BACKED | | |
| 2. | 818-337C | DECAL WARNING 20 MPH TRANS SML | | |
| 3. | 818-398C | DECAL CAUTION TIRES NOT A STEP | | |
| 4. | 818-897C | RPBY 848-159C | Beige Unit | |
| 4. | 848-159C | DECAL LANDPRIDE 10" BROWN/GOLD | Orange Unit | |
| 5. | 838-094C | DECAL WARNING HYD PRESS LONG | | |
| 6. | 838-598C | DECAL CAUTION GENERAL 4X5 | | |
| 7. | 838-599C | DECAL DANGER ELECTROCUTION HA | | |
| 8. | 838-602C | DECAL WARNING OVERHEAD WING | | |
| 9. | 838-614C | DECAL REFLECTOR RED 2X9 | | |
| 10. | 838-615C | DECAL REFLECTOR AMBER 2X9 | | |
| 11. | 848-704C | DECAL - CYL. OR FRM DAMAGE | | |
| 12. | 848-705C | DECAL - TIP OVER WARNING | | |
| 13. | 848-706C | DECAL - FOLDING WARNING | | |
| 14. | 848-728C | NOTICE WING FOLD ADJUSTMENT | | |
| 15. | 848-730C | DECAL NOTICE 15 PSI TIRE | | |
| 16. | 848-733C | DECAL STH2024 GOLD | Beige Unit | |
| 16. | 848-734C | DECAL STH2024 GOLD | Orange Unit | |

Land Pride Touch-up Paints

Applies to STH2024

No diagram associated with this Parts List

Land Pride Touch-up Paints**Applies to STH2024**

| Ref | Part No. | Part Description | Comments | Revision |
|------------|-----------------|-------------------------------|----------------------------|-----------------|
| 1. | 821-011C | LP BEIGE SPRAY CAN | Spray can | |
| 1. | 821-070C | GLOSS BLACK SPRAY CAN | Spray can | |
| 1. | 821-054C | MED. RED SPRAY TRCK/CTR | Spray can | |
| 1. | 821-058C | GREEN SPRAY CUTTERS | Spray can | |
| 1. | 821-066C | ORANGE SPRAY CAN | Spray can | |
| 1. | 821-067C | BLUE SPRAY CAN | Spray can | |
| 1. | 821-080C | PAINT ALUMINUM/ZINC SPRAY CAN | Spray can | |
| 2. | 821-011CTU | LP BEIGE TOUCH-UP 5OZ | Touch-up bottle with brush | |
| 2. | 821-070CTU | GLOSS BLACK TOUCH-UP 5OZ | Touch-up bottle with brush | |
| 2. | 821-054CTU | MED RED TOUCH-UP 5OZ | Touch-up bottle with brush | |
| 2. | 821-058CTU | GREEN TOUCH-UP 5OZ | Touch-up bottle with brush | |
| 2. | 821-066CTU | ORANGE TOUCH-UP 5OZ | Touch-up bottle with brush | |
| 2. | 821-067CTU | BLUE TOUCH-UP 5OZ | Touch-up bottle with brush | |
| 2. | 821-080CTU | PAINT ALUMINUM/ZINC TOUCH UP | Touch-up bottle with brush | |
| 3. | 821-011CQT | LP BEIGE QUART | Quart can | |
| 3. | 821-070CQT | GLOSS BLACK QUART | Quart can | |
| 3. | 821-054CQT | MED RED QUART | Quart can | |
| 3. | 821-058CQT | GREEN QUART | Quart can | |
| 3. | 821-066CQT | ORANGE QUART | Quart can | |
| 3. | 821-067CQT | BLUE QUART | Quart can | |
| 3. | 821-080CQT | PAINT ALUMINUM/ZINC QUART | Quart can | |
| 4. | 821-011CGL | LP BEIGE GALLON | Gallon can | |
| 4. | 821-070CGL | GLOSS BLACK GALLON | Gallon can | |
| 4. | 821-054CGL | MED RED GALLON | Gallon can | |
| 4. | 821-058CGL | GREEN GALLON | Gallon can | |
| 4. | 821-066CGL | ORANGE GALLON | Gallon can | |
| 4. | 821-067CGL | BLUE GALLON | Gallon can | |
| 4. | 821-080CGL | PAINT ALUMINUM/ZINC GALLON | Gallon can | |



Part Number Index

The Part Number Index is a numeric index of all part numbers included in this manual. The index shows what page(s) the part is used on.

| <u>Part Number</u> | <u>Page</u> | <u>Part Number</u> | <u>Page</u> | <u>Part Number</u> | <u>Page</u> |
|--------------------|-------------|--------------------|----------------|--------------------|-------------|
| 1157 | 19 | 802-196C | 13 | 821-067C | 29 |
| 130556 | 25 | 802-258C | 9 | 821-067CGL | 29 |
| 130560 | 23 | 802-413C | 11, 15, 17 | 821-067CQT | 29 |
| 134952 | 23, 25 | 803-006C | 9 | 821-067CTU | 29 |
| 134953 | 23, 25 | 803-014C | 25 | 821-070C | 29 |
| 148000 | 23, 25 | 803-019C | 7, 11, 15, 17 | 821-070CGL | 29 |
| 186562 | 23, 25 | 803-022C | 23 | 821-070CQT | 29 |
| 200-001D | 7 | 803-025C | 9, 13 | 821-070CTU | 29 |
| 258827 | 23 | 803-029C | 7 | 821-080C | 29 |
| 258851 | 25 | 803-036C | 11, 15, 17 | 821-080CGL | 29 |
| 292672 | 25 | 803-078C | 11, 15, 17 | 821-080CQT | 29 |
| 300-077S | 21 | 803-169C | 9, 11, 15, 17 | 821-080CTU | 29 |
| 322-318D | 11, 15, 17 | 803-181C | 9 | 822-091C | 7 |
| 322-319D | 15 | 803-230C | 13 | 822-092C | 7 |
| 322-320D | 15, 17 | 803-255C | 19 | 838-094C | 27 |
| 322-321D | 15, 17 | 803-263C | 9 | 838-598C | 27 |
| 322-322D | 17 | 803-268C | 19 | 838-599C | 27 |
| 322-322H | 13 | 803-308C | 7 | 838-602C | 27 |
| 322-322H82 | 13 | 803-342C | 11, 15, 17 | 838-614C | 27 |
| 322-324H | 13 | 804-006C | 9 | 838-615C | 27 |
| 322-324H82 | 13 | 804-007C | 9, 19 | 841-022C | 21 |
| 322-326H | 13 | 804-012C | 11, 15, 17 | 841-205C | 21 |
| 322-326H82 | 13 | 804-017C | 11, 15, 17, 21 | 841-274C | 21 |
| 322-340H | 9 | 804-028C | 21 | 842-265C | 19 |
| 322-340H82 | 9 | 804-055C | 7 | 848-159C | 27 |
| 322-341H | 9 | 805-016C | 7 | 848-704C | 27 |
| 322-341H82 | 9 | 805-017C | 21 | 848-705C | 27 |
| 322-342H | 9 | 805-041C | 21 | 848-706C | 27 |
| 322-342H82 | 9 | 805-205C | 21 | 848-728C | 27 |
| 322-343H | 9 | 806-227C | 9 | 848-730C | 27 |
| 322-343H82 | 9 | 810-713C | 21 | 848-733C | 27 |
| 322-344H | 9 | 810-714C | 21, 25 | 848-734C | 27 |
| 322-344H82 | 9 | 810-883C | 25 | 890-118C | 9 |
| 322-368L | 19 | 810-885C | 23 | 891-237C | 11, 15, 17 |
| 491614 | 25 | 811-039C | 21 | 891-238C | 11, 15, 17 |
| 491798 | 23 | 811-063C | 21 | 891-531C | 19 |
| 492224 | 25 | 811-088C | 21 | 891-533C | 19 |
| 492338 | 23 | 811-310C | 21 | 891-792C | 19 |
| 492611 | 23 | 811-394C | 21 | 891-794C | 19 |
| 492612 | 23 | 811-685C | 21 | 891-795C | 19 |
| 492650 | 25 | 811-884C | 21 | Dwg 30898 | 9 |
| 492652 | 23 | 814-066C | 7 | Dwg 30900 | 13 |
| 492676 | 23 | 814-403C | 7 | dwg 30907 | 25 |
| 492700 | 23 | 814-404C | 7 | Dwg 30908 | 23 |
| 492854 | 25 | 815-108C | 7 | Dwg 70025 | 19 |
| 494270 | 25 | 815-230C | 7 | dwg30899 | 7 |
| 494286 | 23 | 815-236C | 7 | dwg30901 | 15 |
| 564-037H | 11, 15, 17 | 816-035C | 7 | dwg30902 | 11 |
| 564-081D | 11, 15, 17 | 816-098C | 7 | dwg30903 | 17 |
| 564-082D | 11, 15, 17 | 816-504C | 9 | dwg30905 | 21 |
| 564-083D | 11, 15, 17 | 818-055C | 13, 27 | dwg30906 | 27 |
| 564-088D | 11 | 818-337C | 27 | J-AC1-15-A | 19 |
| 564-089D | 11 | 818-398C | 27 | J-AC1-15-B | 19 |
| 564-090D | 11, 15, 17 | 818-897C | 27 | J-AC1-15-R | 19 |
| 800-001C | 7 | 821-011C | 29 | N/A | 7 |
| 800-060C | 19 | 821-011CGL | 29 | | |
| 800-365C | 23 | 821-011CQT | 29 | | |
| 801-023C | 23, 25 | 821-011CTU | 29 | | |
| 802-005C | 9, 19 | 821-054C | 29 | | |
| 802-039C | 11, 15, 17 | 821-054CGL | 29 | | |
| 802-064C | 9 | 821-054CQT | 29 | | |
| 802-066C | 13 | 821-054CTU | 29 | | |
| 802-069C | 9, 13 | 821-058C | 29 | | |
| 802-082C | 11, 15, 17 | 821-058CGL | 29 | | |
| 802-091C | 11, 15, 17 | 821-058CQT | 29 | | |
| 802-099C | 7 | 821-058CTU | 29 | | |
| 802-114C | 11, 15, 17 | 821-066C | 29 | | |
| 802-128C | 11, 15, 17 | 821-066CGL | 29 | | |
| 802-135C | 7 | 821-066CQT | 29 | | |
| 802-192C | 9 | 821-066CTU | 29 | | |

This Page Intentionally Left Blank



Great Plains Manufacturing, Inc.

Corporate Office: P.O. Box 5060
Salina, Kansas 67402-5060 USA

www.landpride.com
