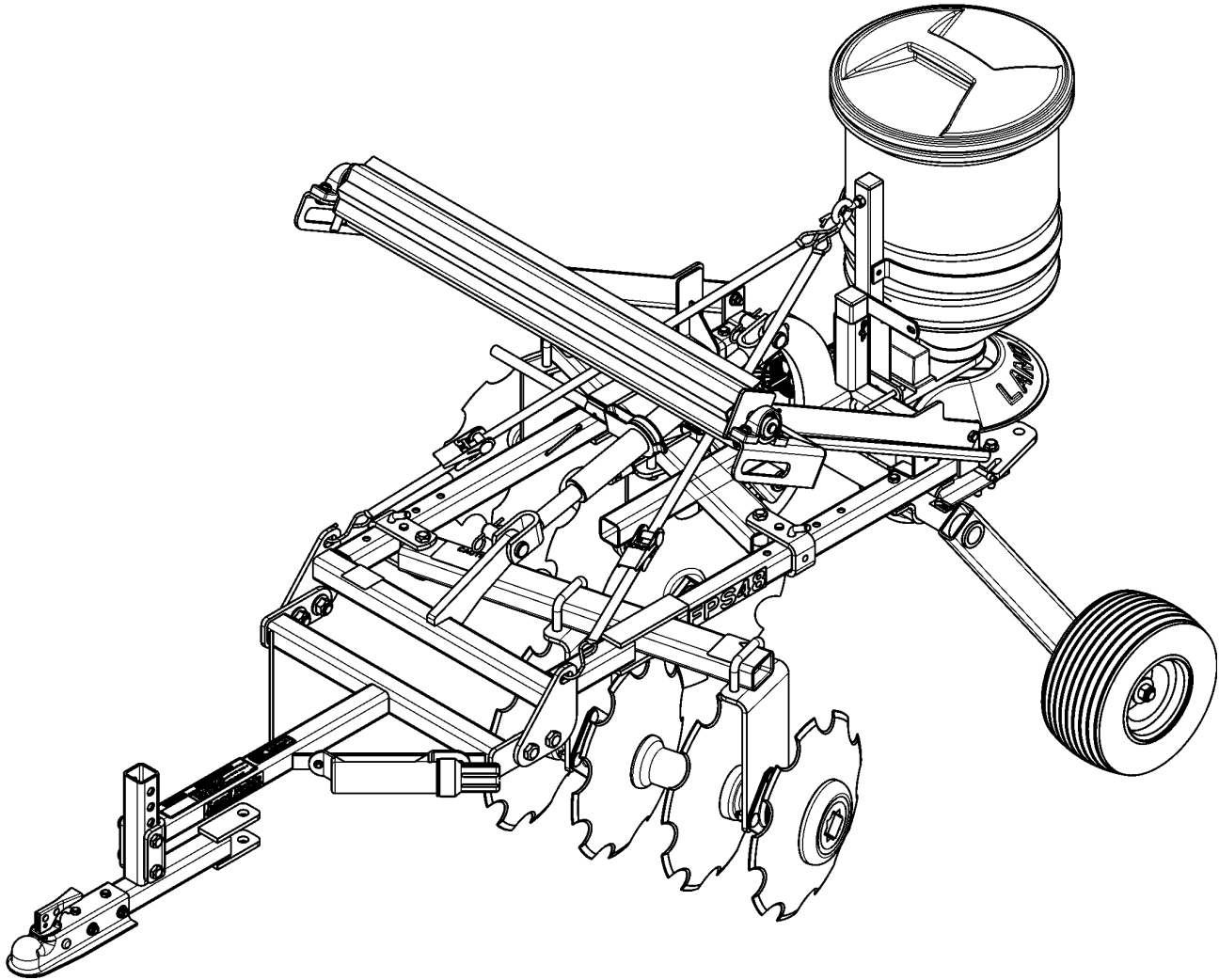


Food Plot Seeder

FPS48 Plot Ranger



23896

322-118P **Parts Manual**



Read the Operator's Manual entirely. When you see this symbol, the subsequent instructions and warnings are serious - follow without exception. Your life and the lives of others depend on it!

© Copyright 2020 Printed 09/01/20

Cover photo may show optional equipment not supplied with standard unit.





Table of Contents

Section 1: Introduction.....4
Using This Manual.....4
Manual Replacement Information.....4
Manual Revisions.....4
Touch-up Paint.....4
Hardware Legend.....5
Replacement Hardware.....5
Serial Numbers.....5
Part Number Service Coding.....5

FOOD PLOT SEEDER

Section 2: Frame.....6
Frame and Hitch.....6
Transport Axle S/N 551159-.....8
Transport Axle S/N 551160+.....10
Section 3: Disc Assembly.....12
Disc Gang Assembly FPS S/N _____+.....12
Disc Gang Assembly FPS S/N _____-.....14
Disc Gang to Frame.....16
Section 4: Decals.....18
Decal Placement.....18
Touch-up Paints - LP.....20
Section 5: Options & Accessories.....22
Electric Lift Option.....22
Rear Roller Option.....24
Seed Spreader Option.....26

Part Number Index.....28

© Copyright 2020. All rights reserved.

Land Pride provides this publication “as is” without warranty of any kind, either expressed or implied. While every precaution has been taken in the preparation of this manual, Land Pride assumes no responsibility for errors or omissions. Neither is any liability assumed for damages resulting from the use of the information contained herein. Land Pride reserves the right to revise and improve its products as it sees fit. This publication describes the state of this product at the time of its publication, and may not reflect the product in the future. The illustrations in this manual are not intended for safe and proper assembly or disassembly of equipment. The illustrations are intended for ordering parts only.

Land Pride is registered trademark.

All other brands and product names are trademarks or registered trademarks of their respective holders.

Printed in the United States of America.



Alphabetized Table of Contents

FOOD PLOT SEEDER

D

| | |
|---|----|
| Decal Placement..... | 18 |
| Disc Gang Assembly FPS S/N _____ +..... | 12 |
| Disc Gang Assembly FPS S/N _____ -..... | 14 |
| Disc Gang to Frame..... | 16 |

E

| | |
|---------------------------|----|
| Electric Lift Option..... | 22 |
|---------------------------|----|

F

| | |
|----------------------|---|
| Frame and Hitch..... | 6 |
|----------------------|---|

R

| | |
|-------------------------|----|
| Rear Roller Option..... | 24 |
|-------------------------|----|

S

| | |
|---------------------------|----|
| Seed Spreader Option..... | 26 |
|---------------------------|----|

T

| | |
|---------------------------------|----|
| Touch-up Paints - LP..... | 20 |
| Transport Axle S/N 551159-..... | 8 |
| Transport Axle S/N 551160+..... | 10 |

General Information

Using This Manual

This manual is divided into sections. The first section contains General Information. The remaining sections divide the machine into segments (i.e. Frames, Drives, Hydraulics, etc.) which illustrate and list all parts. A Parts Number Index is located at the back of the book.

The Land Pride parts in this manual are specially designed for this machine and should be replaced with Land Pride parts only.

The information in this manual is current at time of printing. Some parts may change to assure top performance.

Right-hand and left-hand as used in this manual are determined by facing the direction the machine will travel while in use.

Below is an example of two facing pages from a parts manual. Familiarize yourself with the type of information contained on these pages.

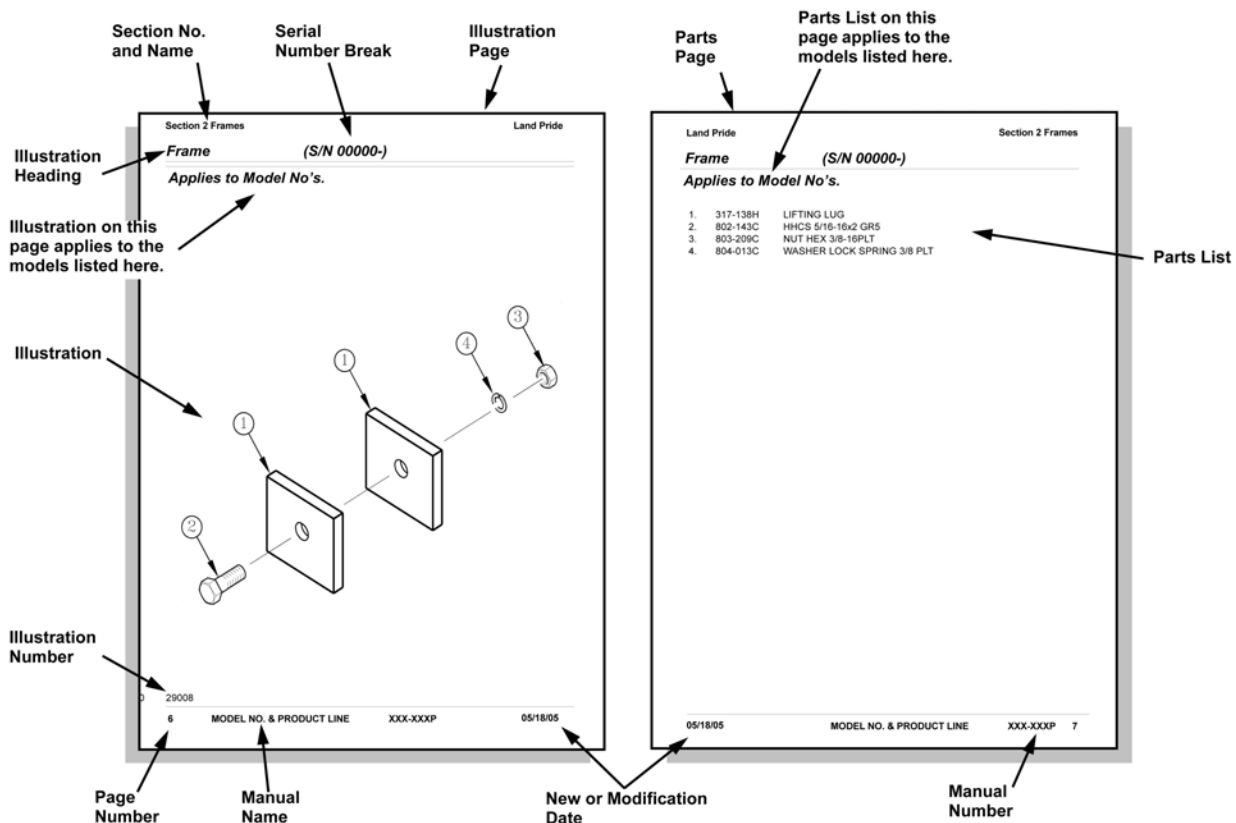
Manual Replacement Information

Replacement manuals are available. Refer to our website at www.landpride.com or e-mail us at lit@landpride.com for additional information. Our website continues to provide the most up-to-date manuals available.

Touch-up Paint

Repaint parts where paint is worn or scratched to prevent rust. Aerosol cans and touch-up bottles with brush applicator are available through your local dealer. Also available are quart and gallon size paints. Add QT or GL to end of the Aerosol P/N.

Land Pride color descriptions and part numbers are listed on the "Land Pride Touch-up Paints" page in the "Decals" section of this book. Color options vary by product.



General Information

Hardware Legend

| | |
|-----------------|--|
| AR | As Required |
| BLADE | Blade Bolt |
| C | Cap Screw |
| CP | Cotter Pin |
| CPHSSS | Cup Point Hex Socket Set Screw |
| CPSHSS | Cup Point Square Head Set Screw |
| CPSQHSS | Cup Point Square Head Set Screw |
| CRFCHMS3 | Cross Recess Flat Countersunk Head Machine Screw |
| CRPHMS | Cross Recess Pan Head Machine Screw |
| CRPHTF | Cross Recess Pan Head Thread Forming |
| CRRHMS | Cross Recess Round Head Machine Screw |
| CRTHMS | Cross Recess Truss Head Machine Screw |
| CSNB | Countersunk Square Neck Bolt |
| FHMS | Flat Head Machine Screw |
| FTC | Full Thread Cap Screw |
| H | Hex Nut |
| HCLN | Hex Center Lock Nut |
| HFLCS | Hex Flange Lock Cap Screw |
| HFS | Hex Flange Screw |
| HFSLN | Hex Flange Serrated Lock Nut |
| HFSS | Hex Flange Serrated Screw |
| HHCS | Hex Head Cap Screw or Metric Bolt |
| HSBHCS | Hex Socket Button Head Cap Screw |
| HSFCHCS | Hex Socket Flat Countersunk Head Cap Screw |
| HSHCS | Hex Socket Head Cap Screw |
| HSSS | Hex Socket Head Screw |
| HTLN | Hex Top Lock Nut |
| HWHCS | Hex Washer Head Cap Screw |

| | |
|-----------------------|---|
| HWHMS | Hex Washer Head Machine Screw |
| HXBHCS | Hex Socket Button Head Cap Screw |
| J | Hex Jam Nut |
| JIC | 37 Degree Tapered Thread |
| L | Helical Spring Lock Washer |
| LUG | Lug Bolt |
| NFC | National Fine Cap Screw |
| NPSM | National Pipe Straight Mechanical |
| NPTF | National Pipe Taper Fuel |
| P | Wide Plain Washer |
| PHMS | Pan Head Machine Screw |
| PLOW | Plow Bolt |
| RHMS | Round Head Machine Screw |
| RHSNB | Round Head Square Neck Bolt |
| SCREW LEVELING | Leveling Screw |
| SCREW THUMB | Thumb Screw |
| SCREW WELD | Weld Screw |
| SFCHMS | Slotted Flat Countersunk Head Machine Screw |
| SFHMS | Slotted Fillister Head Machine Screw |
| SP | Special |
| SP SCREW | Special Screw |
| SQHSS | Square Head Set Screw |
| SRHMS | Slotted Round Head Machine Screw |
| SSS | Socket Set Screw |
| STCS | Self Tapping Cap Screw |
| STHMS | Slotted Truss Head Machine Screw |
| WHEEL | Wheel Studs and Hub Long Bolts |
| WING | Wing Bolt |

Replacement Hardware

The **Hardware Legend** above lists hardware abbreviations used in the parts list. All bolts and nuts are Grade 5 unless otherwise noted. The use of improper grades of hardware can result in personal injury, damage to equipment, or loss of property.

Colored Replacement Parts

Land Pride offers replacement parts in factory standard colors and also on select models in Green, Orange, Red and Blue. Because of the variety of colors available, special attention must be given to the part number to prevent ordering the wrong replacement part.

A suffix number corresponding to one of the colors below must be added at the end of Land Pride's part number when ordering a replacement part with that color.

81 Green 83 Red
82 Orange 84 Blue

For example, if you are ordering a replacement part with part number 555-555C and the part you need is red, then add the suffix 83 to the end of the number to make the part number read 555-555C83. Parts ordered without a suffix number will be supplied in factory standard colors.

Black Replacement Parts

Some parts are factory standard black and some must be special ordered black. If your part is special ordered black, a second part number with the additional suffix number 85 on the end will be available. In this situation you must order that part with the suffix number for it to be black. Parts that are factory standard black will not have the suffix number.

Part Number Service Coding

Within the parts list some part numbers are coded for revisions and interchangeability. See notations in revision column.

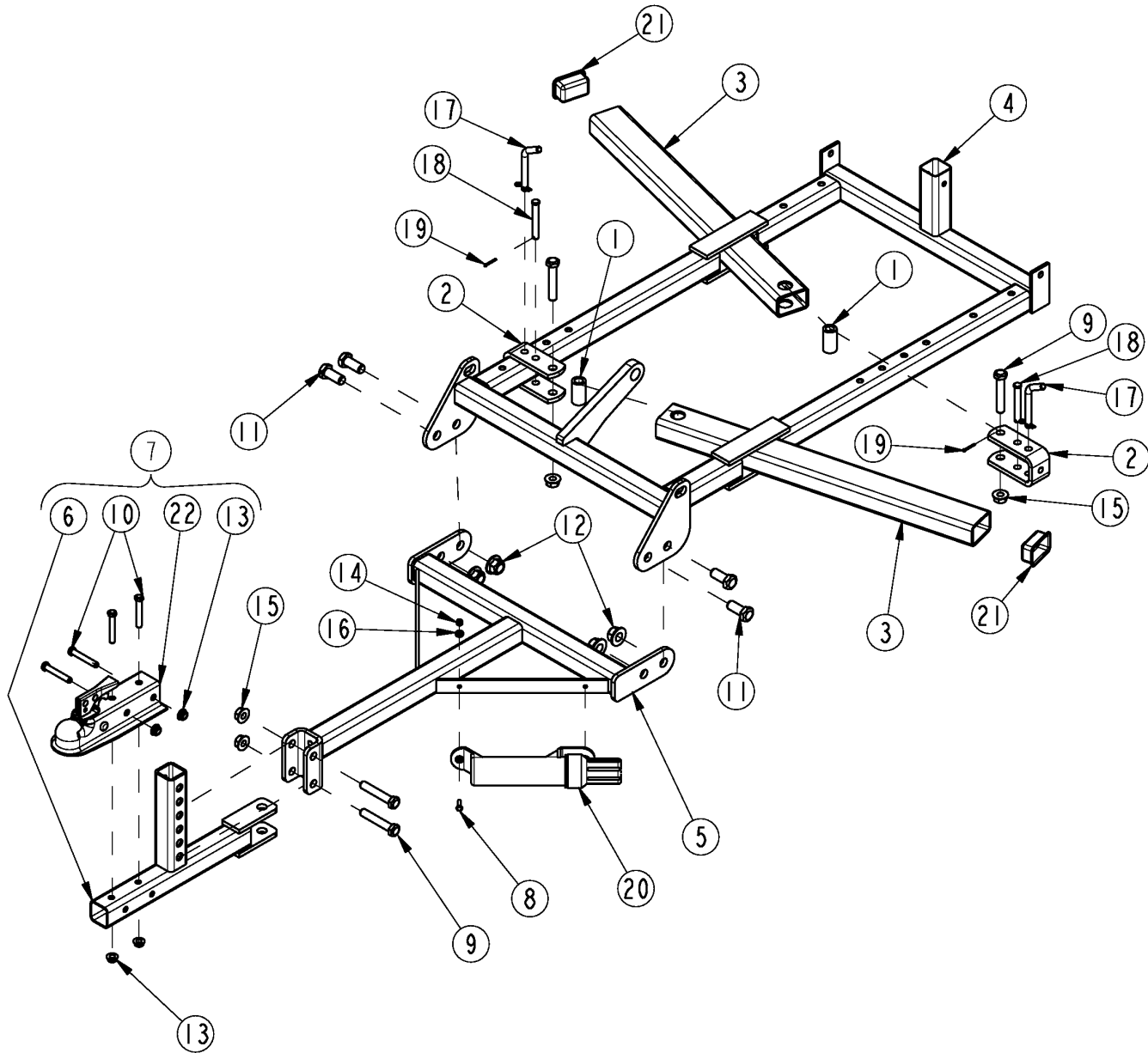
Serial Numbers

Always use the serial and model number when ordering parts. Refer to the Operator's Manual for serial number plate location.

- (S/N 20001+) Includes serial numbers 20001 and above (to the latest number)
- (S/N 10001 to 20000) Includes serial numbers between and including 10001 and 20000
- (S/N 10000-) Includes serial numbers 10000 and below (to the earliest number)

Frame and Hitch

Applies to FPS48



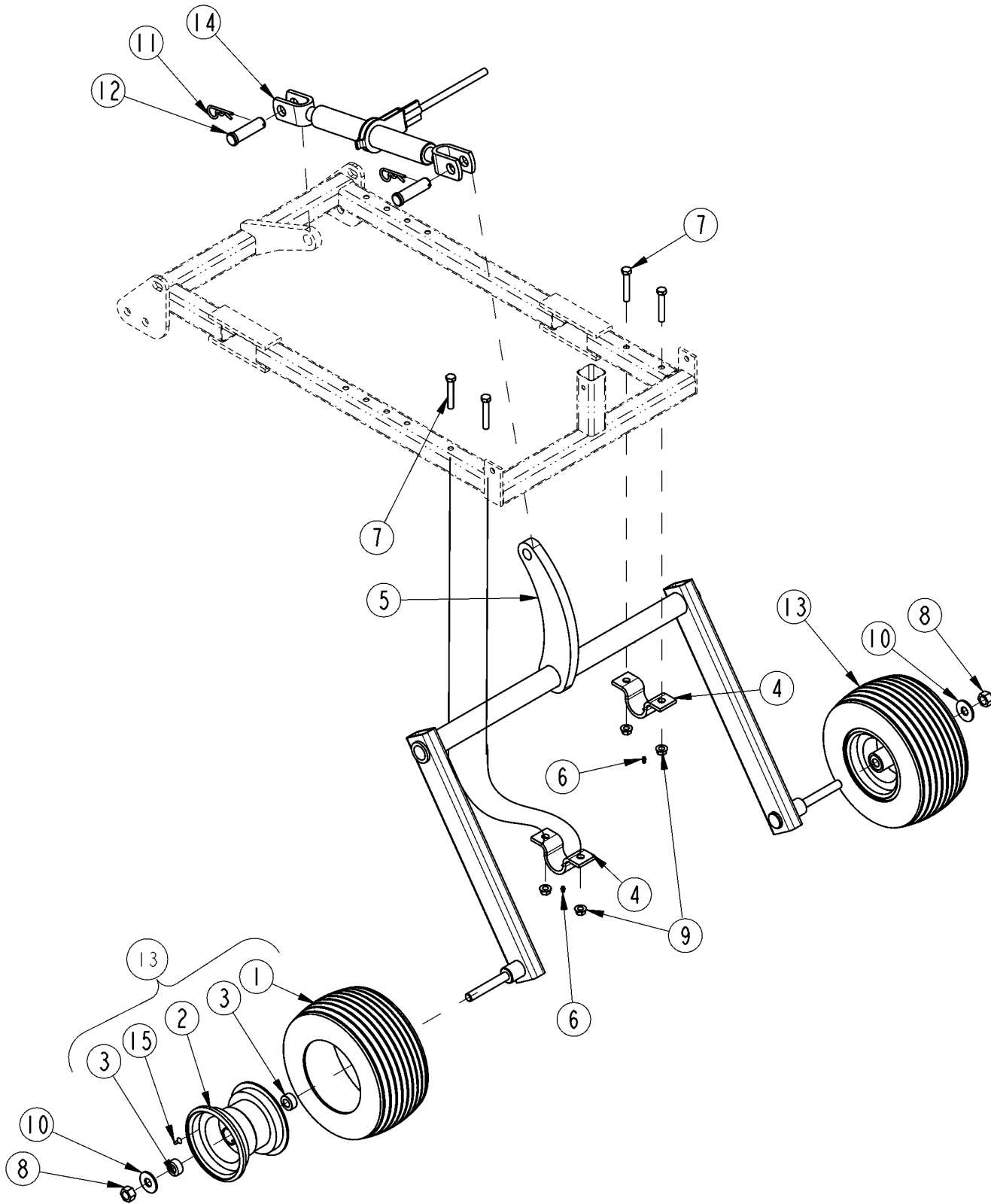
23897

Frame and Hitch**Applies to FPS48**

| Ref | Part No. | Part Description | Comments | Revision |
|------------|-----------------|--------------------------------|-----------------|-----------------|
| | dwg23897 | Drawing Image Number | | |
| 1. | 322-017D | DISC SPACER TUBE SWING ARM | | |
| 2. | 322-067D | SLIDE ADJUSTMENT U-CHANNEL | | |
| 2. | 322-067D82 | SLIDE ADJUSTMENT U-CHNL ORANGE | | |
| 3. | 322-077D | DISC FNT/BCK SWNG ARM TUBE FPS | | |
| 3. | 322-077D82 | DISC FNT/BK SWNG TB FPS ORANGE | | |
| 4. | 322-106H | FRAME WELDMENT FPS48 | | |
| 4. | 322-106H82 | FRAME WELDMENT FPS48 ORANGE | | |
| 5. | 322-110H | FRONT HITCH WELDMENT FPS | | |
| 5. | 322-110H82 | FRONT HITCH WMT FPS ORANGE | | |
| 6. | 322-123H | 2"BALL/CLEVIS HITCH WELDMENT | | |
| 6. | 322-123H82 | 2"BALL/CLEVIS HITCH WMT ORANGE | | |
| 7. | 322-124S | 2" BALL/CLEVIS HITCH ASSEMBLY | | |
| 8. | 802-005C | HHCS 1/4-20X1 GR5 | | |
| 9. | 802-162C | HHCS 5/8-11X3 1/2 GR5 | | |
| 10. | 802-315C | HHCS 7/16-14X2 3/4 GR5 | | |
| 11. | 802-392C | HHCS 3/4-10X1 3/4 GR5 | | |
| 12. | 803-299C | NUT HEX FLG TOP LK 3/4-10 PLT | | |
| 13. | 803-229C | NUT HEX FLANGE LOC 7/16-14 PLT | | |
| 14. | 803-255C | NUT HEX NYLOCK 1/4-20 | | |
| 15. | 803-304C | NUT HEX WHIZ 5/8-11 PLT | | |
| 16. | 804-007C | WASHER FLAT 1/4 SAE PLT | | |
| 17. | 805-035C | PIN BENT 1/2 X 3 W/HAIRPIN 12B | | |
| 18. | 805-108C | PIN CLEVIS 1/2 X 3 1/2 PLT | | |
| 19. | 805-363C | PIN COTTER 1/8 X 1 | | |
| 20. | 816-504C | MANUAL STORAGE CONTAINER | | |
| 21. | 817-387C | PLASTIC END CAP 3X2X3/16 WL TB | | |
| 22. | 891-245C | HITCH, 2"BALL RECVR CLSS 2 PLT | S/N 766008+ | |
| 22. | 890-903C | RPBY 891-245C | S/N 766007- | |

Transport Axle S/N 551159-

Applies to FPS48



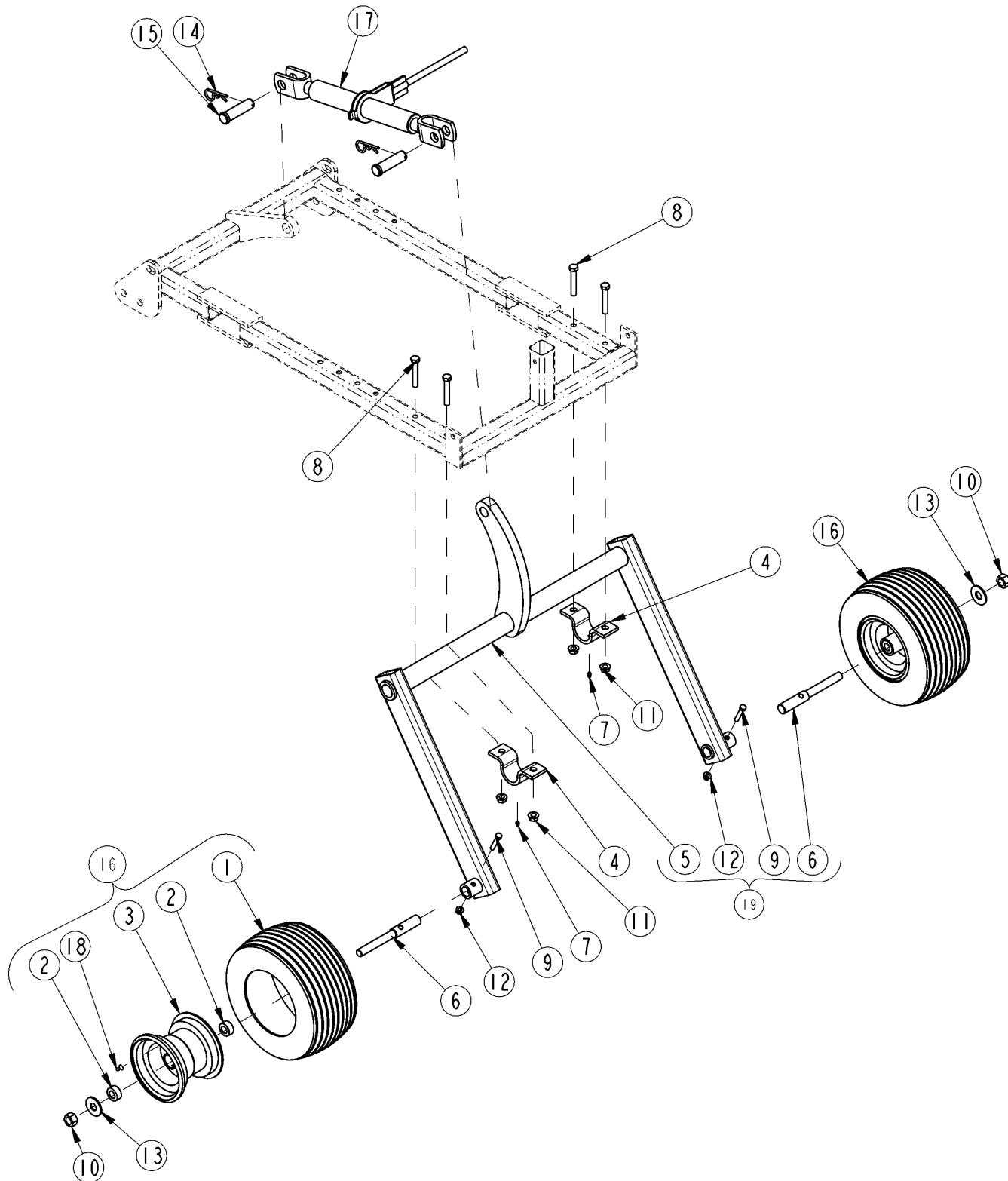
23899

Transport Axle S/N 551159-**Applies to FPS48**

| Ref | Part No. | Part Description | Comments | Revision |
|-----|--------------|--------------------------------|---|----------|
| | dwg23899 | Drawing Image Number | | |
| 1. | 5181861 | CARLISLE TIRE 13 X 6.5-6 4PLY | | |
| 2. | 0631188014 | CARLISLE RIM | | |
| 3. | 015300000042 | CARLISLE 3/4" ID BEARING | | |
| 4. | 175-061D | PUSH, PIVOT TUBE HALF CLAMP | | |
| 4. | 175-061D82 | PUSH, PVT TB HALF CLMP ORANGE | | |
| 5. | 322-258S | REAR AXLE W/BLT N SPNDL | Includes Replaceable Spindle Shafts & and Hardware | |
| 5. | 322-258S82 | REAR AXLE W/BLT N SPNDL ORANGE | Includes Replaceable Spindle Shafts & and Hardware | |
| 6. | 800-001C | GREASE ZERK STRAIGHT 1/4-28 | | |
| 7. | 802-039C | HHCS 1/2-13X3 GR5 | | |
| 8. | 803-026C | NUT LOCK 3/4-10 PLT | | |
| 9. | 803-169C | NUT HEX FLG. LOCK 1/2-13 PLT. | | |
| 10. | 804-024C | WASHER FLAT 3/4 USS PLT | S/N 507899+ | |
| 10. | 804-025C | WASHER FLAT 3/4 SAE PLT | S/N 507898- | |
| 11. | 805-088C | PIN, HAIR COTTER 3/16 WIRE DIA | | |
| 12. | 805-090C | PIN CLEVIS 1 X 3 3/16 LG | | |
| 13. | 814-121C | TIRE/WHEEL ASM 13/6.50X6 | | |
| 14. | 890-177C | RATCHET JACK - HEAVY DUT | | |
| 15. | TR-412 | T1. VALVE MARTIN | | |

Transport Axle S/N 551160+

Applies to FPS48



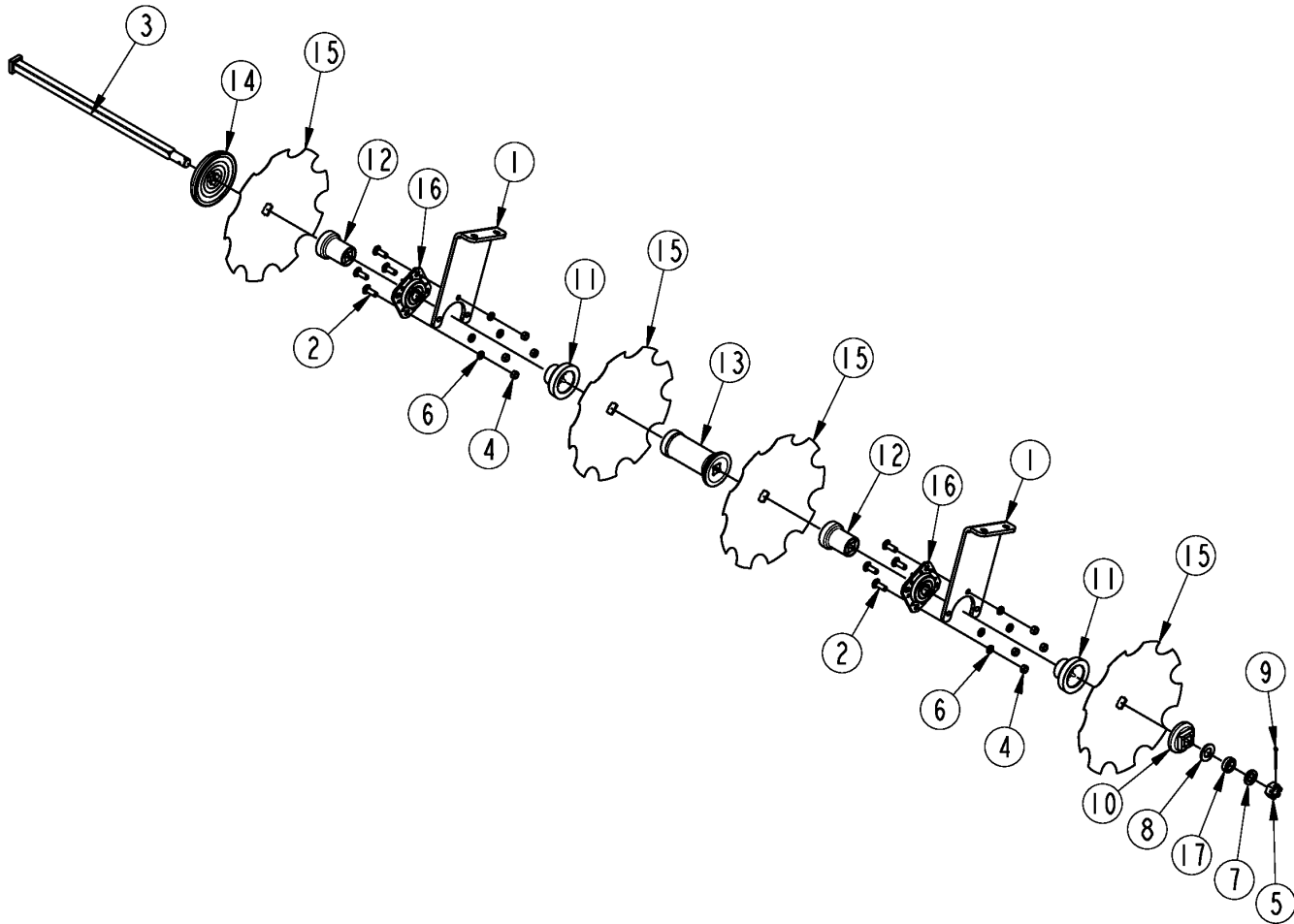
25779

Transport Axle S/N 551160+**Applies to FPS48**

| Ref | Part No. | Part Description | Comments | Revision |
|------------|-----------------|--------------------------------|-----------------|-----------------|
| | dwg25779 | Drawing Image Number | | |
| 1. | 5181861 | CARLISLE TIRE 13 X 6.5-6 4PLY | | |
| 2. | 015300000042 | CARLISLE 3/4" ID BRG | | |
| 3. | 0631188014 | CARLISLE RIM | | |
| 4. | 175-061D | PUSH, PVT TB HALF CLMP | | |
| 5. | 322-108H | REAR AXLEWELDMENT FPS | | |
| 5. | 322-108H82 | REAR AXLEWELDMENT FPS ORANGE | | |
| 6. | 322-232D | STUB WHEEL SHAFT LONG | | |
| 7. | 800-001C | GREASE ZERK STRAIGHT 1/4-28 | | |
| 8. | 802-039C | HHCS 1/2-13X3 GR5 | | |
| 9. | 802-143C | HHCS 3/8-16X2 GR5 | | |
| 10. | 803-026C | NUT LOCK 3/4-10 PLT | | |
| 11. | 803-169C | NUT HEX FLG. LOCK 1/2-13 PLT. | | |
| 12. | 803-209C | NUT FLANGE LOCK 3/8-16 PLT | | |
| 13. | 804-024C | WASHER FLAT 3/4 USS PLT | | |
| 14. | 805-088C | PIN, HAIR COTTER 3/16 WIRE DIA | | |
| 15. | 805-090C | PIN CLEVIS 1 X 3 3/16 LG | | |
| 16. | 814-121C | TIRE/WHEEL ASM 13/6.50X6 | | |
| 17. | 890-177C | RATCHET JACK - HEAVY DUT | | |
| 18. | TR-412 | T1. VALVE MARTIN | | |
| 19. | 322-258S | REAR AXLE W/BLT N SPNDL | | |
| 19. | 322-258S82 | REAR AXLE W/BLT N SPNDL ORANGE | | |

Disc Gang Assembly FPS S/N_____+

Applies to FPS48



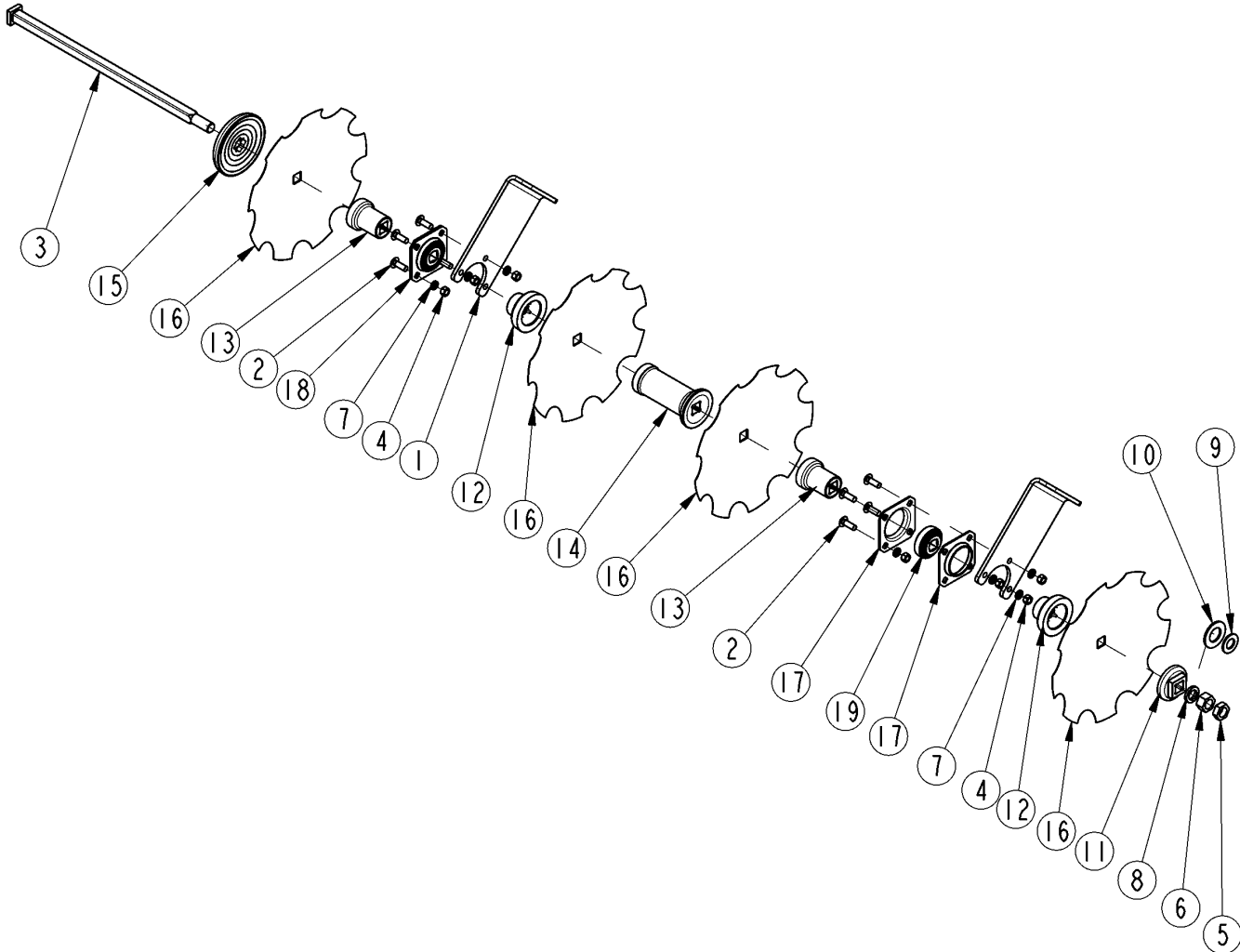
74765

Disc Gang Assembly FPS S/N_____+**Applies to FPS48**

| Ref | Part No. | Part Description | Comments | Revision |
|------------|-----------------------|--|-----------------|-----------------|
| | Dwg 74765 322-086S | Image No. 4-16 IN. NOTCHED DISC SUB-ASSY * | | |
| 1. | 322-061D | DISC HANGER BRACKET DH10 | | |
| 2. | 802-106C | RHSNB 1/2-13X1 1/2 GR5 | | |
| 3. | 802-635C | SP SQHD 1-8 X 26.38 SQ.SHANK | | |
| 4. | 803-020C | NUT HEX 1/2-13 PLT | | |
| 5. | 803-071C | NUT HEX SLOTTED 1-8 PLT. | | |
| 6. | 804-015C | WASHER LOCK SPRING 1/2 PLT | | |
| 7. | 804-027C | WASHER LOCK SPRING 1 PLT | | |
| 8. | 804-029C | WASHER FLAT 1 SAE | | |
| 9. | 805-094C | PIN COTTER 3/16 X 2 1/4 PLT | | |
| 10. | 812-276C | DISC HARROW SMALL CAP CASTING | | |
| 11. | 812-277C | DISC HARROW 2 3/8LG SPCR CAST. | | |
| 12. | 812-278C | DISC HARROW 3 5/8LG SPCR CAST. | | |
| 13. | 812-279C | DISC HARROW 7 7/16LG SPCR CAST | | |
| 14. | 812-280C | DISC HARROW LARGE CAP CASTING | | |
| 15. | 820-349C | 16IN 3MM NOTCHED DISC BLD SQHL | | |
| 16. | 822-180C | BRG FLG 1.00SQ 4BOLT | | |
| 17. | 827-001C | SPACER 1/2 | | |

Disc Gang Assembly FPS S/N_____ -

Applies to FPS48



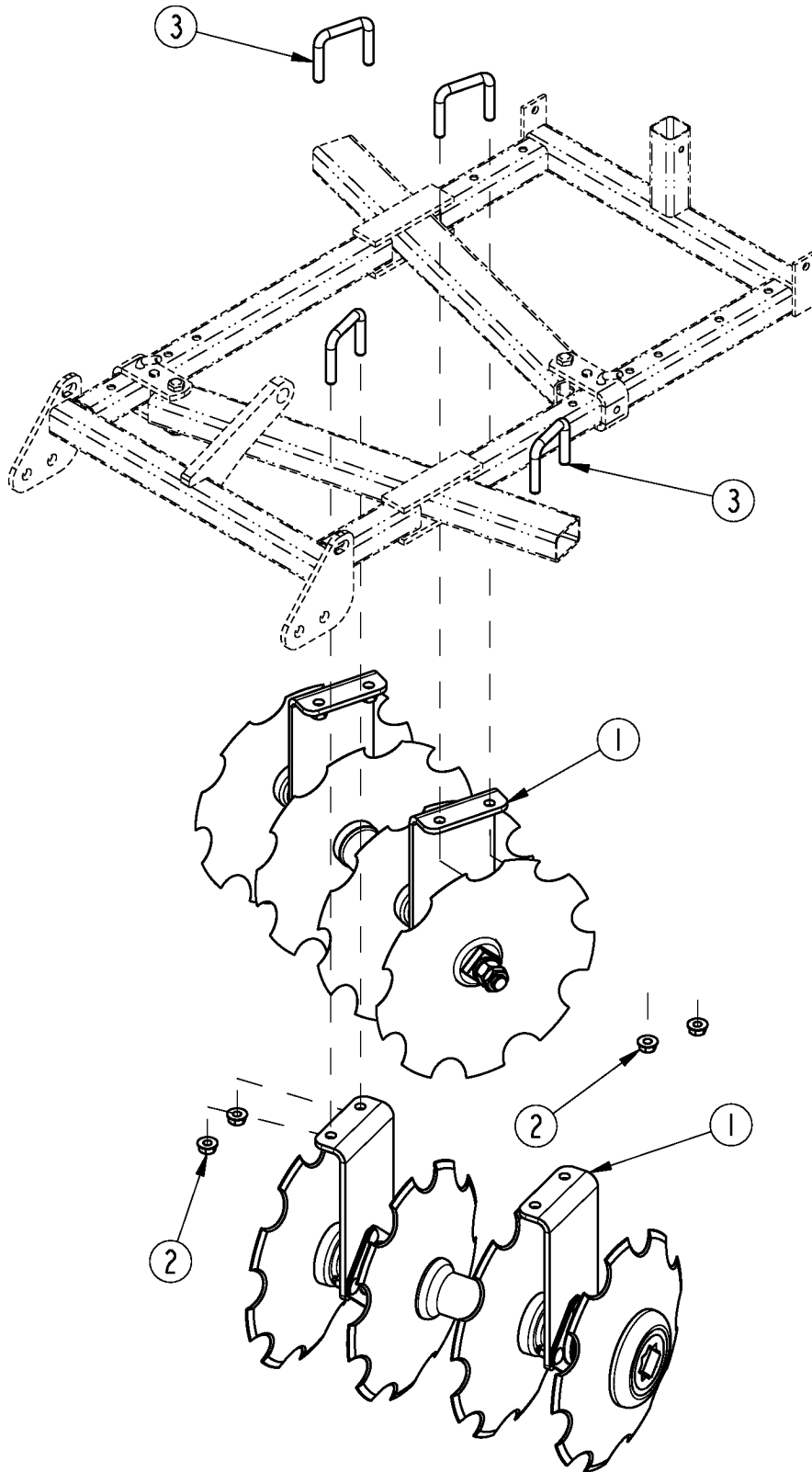
23765

Disc Gang Assembly FPS S/N_____ -**Applies to FPS48**

| Ref | Part No. | Part Description | Comments | Revision |
|-----|-----------------------|---|-------------|----------|
| | Dwg 23765 322-086S | Drawing Image Number 4-16 IN. NOTCHED DISC SUB-ASSY * | | |
| 1. | 322-061D | DISC HANGER BRACKET DH10 | | |
| 2. | 802-106C | RHSNB 1/2-13X1 1/2 GR5 | | |
| 3. | 802-635C | SP SQHD 1-8 X 26.38 SQ.SHANK | | |
| 4. | 803-020C | NUT HEX 1/2-13 PLT | | |
| 5. | 803-030C | NUT HEX JAM 1-8 PLT | | |
| 6. | 803-031C | NUT HEX 1-8 PLT | | |
| 7. | 804-015C | WASHER LOCK SPRING 1/2 PLT | | |
| 8. | 804-027C | WASHER LOCK SPRING 1 PLT | | |
| 9. | 804-029C | WASHER FLAT 1 SAE | As Required | |
| 10. | 804-171C | WASHER FLAT 1 3/8 HARD ASTMF436 | As Required | |
| 11. | 812-276C | DISC HARROW SMALL CAP CASTING | | |
| 12. | 812-277C | DISC HARROW 2 3/8LG SPCR CAST. | | |
| 13. | 812-278C | DISC HARROW 3 5/8LG SPCR CAST. | | |
| 14. | 812-279C | DISC HARROW 7 7/16LG SPCR CAST | | |
| 15. | 812-280C | DISC HARROW LARGE CAP CASTING | | |
| 16. | 820-349C | 16IN 3MM NOTCHED DISC BLD SQHL | | |
| 17. | 822-179C | FLANGETTE 4 BLT FLG,4.687 B.C. | | |
| 18. | 822-180C | FLANGED BEARING INCORP BALLBRG | | |
| 19. | 822-181C | BRG SPHERE 1SQ.B. W208PPB6-NCO | | |

Disc Gang to Frame

Applies to FPS48



23898

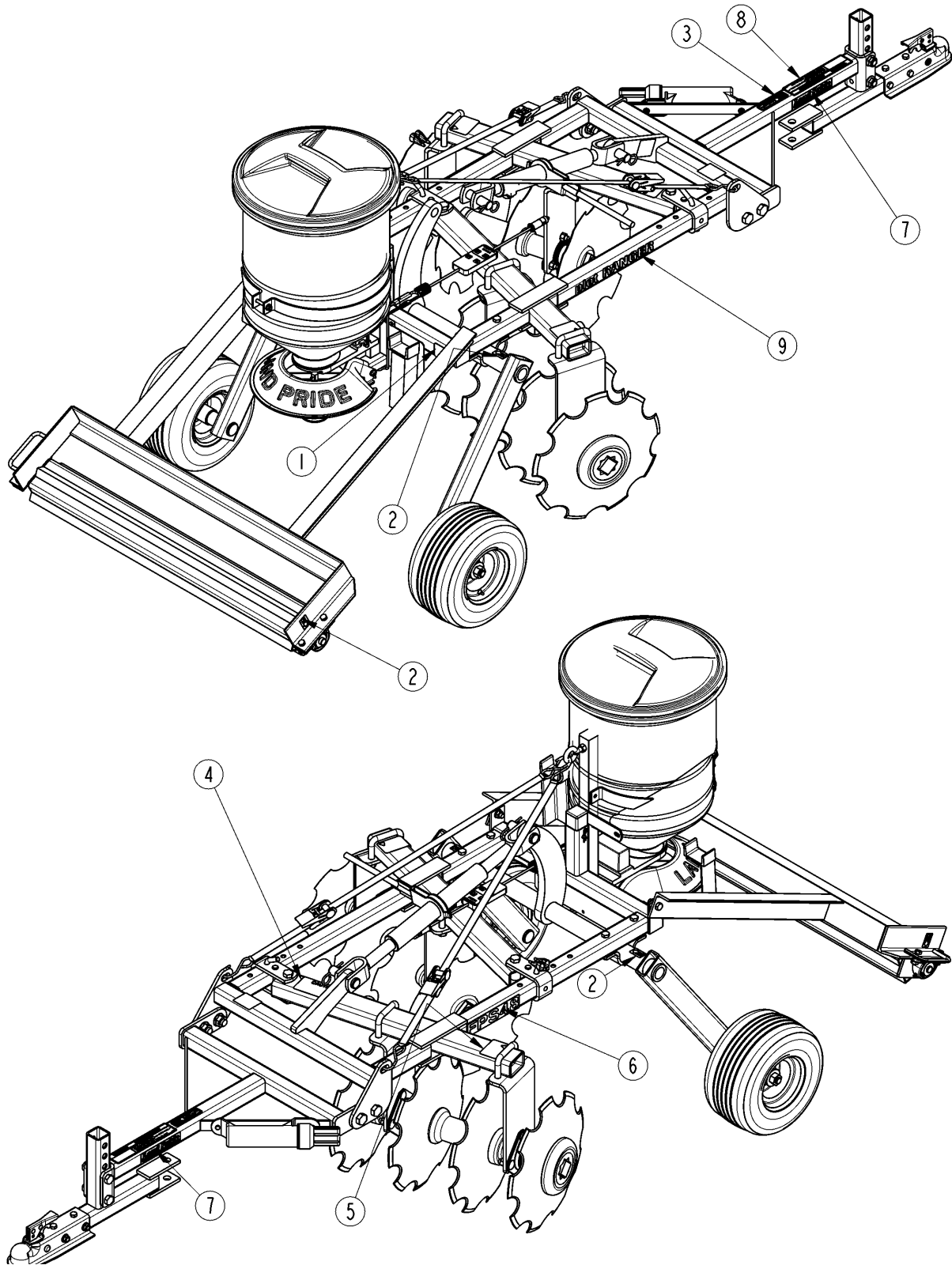
Disc Gang to Frame

Applies to FPS48

| Ref | Part No. | Part Description | Comments | Revision |
|------------|-----------------|--------------------------------|-----------------|-----------------|
| | dwg23898 | Drawing Image Number | | |
| 1. | 322-086S | 4-16 IN. NOTCHED DISC SUB-ASSY | | |
| 2. | 803-304C | NUT HEX WHIZ 5/8-11 PLT | S/N 824186+ | |
| 2. | 803-263C | NUT HEX FLANGE LOCK 5/8-11 PLT | S/N 824185- | |
| 3. | 806-201C | U-BOLT,5/8-11X3 1/32X3 | | |

Decal Placement

Applies to FPS48



23902

Decal Placement**Applies to FPS48**

| Ref | Part No. | Part Description | Comments | Revision |
|------------|-----------------|--------------------------------|-----------------|-----------------|
| | dwg23902 | Drawing Image Number | | |
| 1. | 858-095C | DECAL REFLECTOR RED 2X4.5 | S/N 821964+ | |
| 1. | 818-230C | DECAL RED REFLECTOR | S/N 821963- | |
| 2. | 818-298C | DECAL GREASE 25HRS BLACK/WHITE | | |
| 3. | 818-681C | DECAL NOTICE - 20 MPH MAX | | |
| 4. | 818-719C | DECAL CAUTION GENERAL INSTR | | |
| 5. | 838-093C | DECAL SHARP OBJ HAZARD DISCS | | |
| 6. | 838-887C | DECAL, FPS48 | Beige Unit | |
| 6. | 848-223C | DECAL FPS48-GOLD | Orange Unit | |
| 7. | 838-936C | RPBY 838-967C | Beige Unit | |
| 7. | 838-967C | DECAL LANDPRIDE 6" BROWN/GOLD | Orange Unit | |
| 8. | 838-939C | DECAL WARNING NEG TONGUE FPS | | |
| 9. | 838-940C | DECAL PLOT RANGER | Beige Unit | |
| 9. | 848-238C | DECAL LANDPRIDE 6" BROWN/GOLD | Orange Unit | |

Touch-up Paints - LP

Applies to FPS48

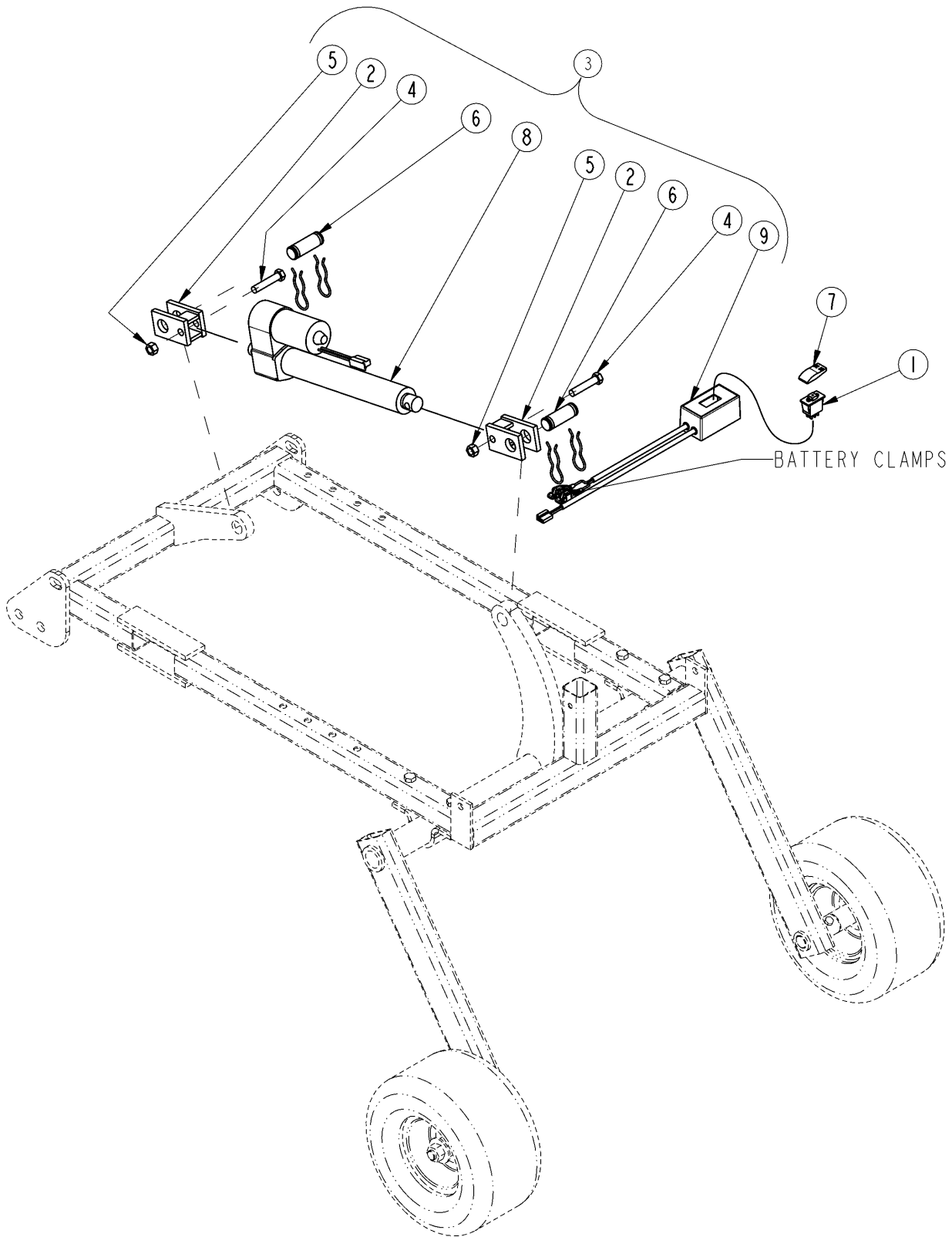
No diagram associated with this Parts List

Touch-up Paints - LP**Applies to FPS48**

| Ref | Part No. | Part Description | Comments | Revision |
|------------|-----------------|-------------------------------|----------------------------|-----------------|
| 1. | 821-011C | LP BEIGE SPRAY CAN | Spray can | |
| 1. | 821-011CTU | LP BEIGE TOUCH-UP 5OZ | Touch-up bottle with brush | |
| 1. | 821-011CQT | LP BEIGE QUART | Quart can | |
| 1. | 821-011CGL | LP BEIGE GALLON | Gallon can | |
| 2. | 821-070C | GLOSS BLACK SPRAY CAN | Spray can | |
| 2. | 821-070CTU | GLOSS BLACK TOUCH-UP 5OZ | Touch-up bottle with brush | |
| 2. | 821-070CQT | GLOSS BLACK QUART | Quart can | |
| 2. | 821-070CGL | GLOSS BLACK GALLON | Gallon can | |
| 3. | 821-054C | MED. RED SPRAY TRCK/CTR | Spray can | |
| 3. | 821-054CTU | MED RED TOUCH-UP 5OZ | Touch-up bottle with brush | |
| 3. | 821-054CQT | MED RED QUART | Quart can | |
| 3. | 821-054CGL | MED RED GALLON | Gallon can | |
| 4. | 821-058C | GREEN SPRAY CUTTERS | Spray can | |
| 4. | 821-058CTU | GREEN TOUCH-UP 5OZ | Touch-up bottle with brush | |
| 4. | 821-058CQT | GREEN QUART | Quart can | |
| 4. | 821-058CGL | GREEN GALLON | Gallon can | |
| 5. | 821-066C | ORANGE SPRAY CAN | Spray can | |
| 5. | 821-066CTU | ORANGE TOUCH-UP 5OZ | Touch-up bottle with brush | |
| 5. | 821-066CQT | ORANGE QUART | Quart can | |
| 5. | 821-066CGL | ORANGE GALLON | Gallon can | |
| 6. | 821-067C | BLUE SPRAY CAN | Spray can | |
| 6. | 821-067CTU | BLUE TOUCH-UP 5OZ | Touch-up bottle with brush | |
| 6. | 821-067CQT | BLUE QUART | Quart can | |
| 6. | 821-067CGL | BLUE GALLON | Gallon can | |
| 7. | 821-080C | PAINT ALUMINUM/ZINC SPRAY CAN | Spray can | |
| 7. | 821-080CTU | PAINT ALUMINUM/ZINC TOUCH UP | Touch-up bottle with brush | |
| 7. | 821-080CQT | PAINT ALUMINUM/ZINC QUART | Quart can | |
| 7. | 821-080CGL | PAINT ALUMINUM/ZINC GALLON | Gallon can | |

Electric Lift Option

Applies to FPS48



23903

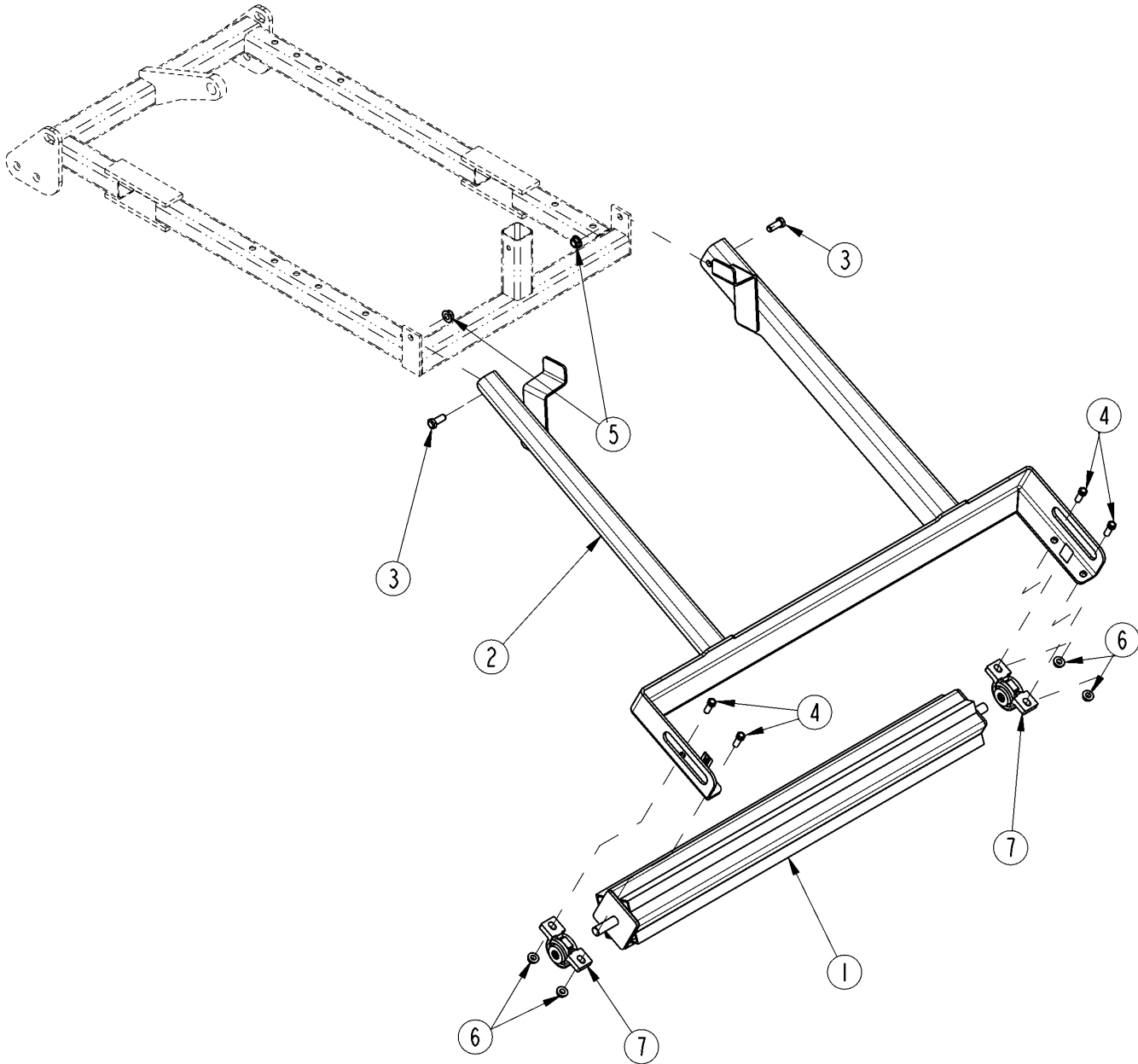
Electric Lift Option

Applies to FPS48

| Ref | Part No. | Part Description | Comments | Revision |
|------------|-----------------|--------------------------------|-----------------|-----------------|
| | dwg23903 | Drawing Image Number | | |
| 1. | 44324 | SWITCH DPDT MOM ON-OFF-MOM ON | | |
| 2. | 322-109H | CYLINDER ADAPTER WELDMENT | | |
| 3. | 322-119A | ELECTRIC LIFT ACTUATOR PACKAGE | | |
| 4. | 802-130C | HHCS 1/2-13X2 1/2 GR5 | | |
| 5. | 803-019C | NUT LOCK 1/2-13 PLT | | |
| 6. | 805-012C | PIN CLEVIS 1 X 2 1/8 USABLE LG | With Clips | |
| 7. | 833-271C | SWITCH ACTUATOR | | |
| 8. | 833-318C | ELECT. LINEAR ACTUATOR 8" STRK | | |
| 9. | 833-402C | WIRING HARNESS W/SWITCH | Obsolete | |

Rear Roller Option

Applies to FPS48



23900

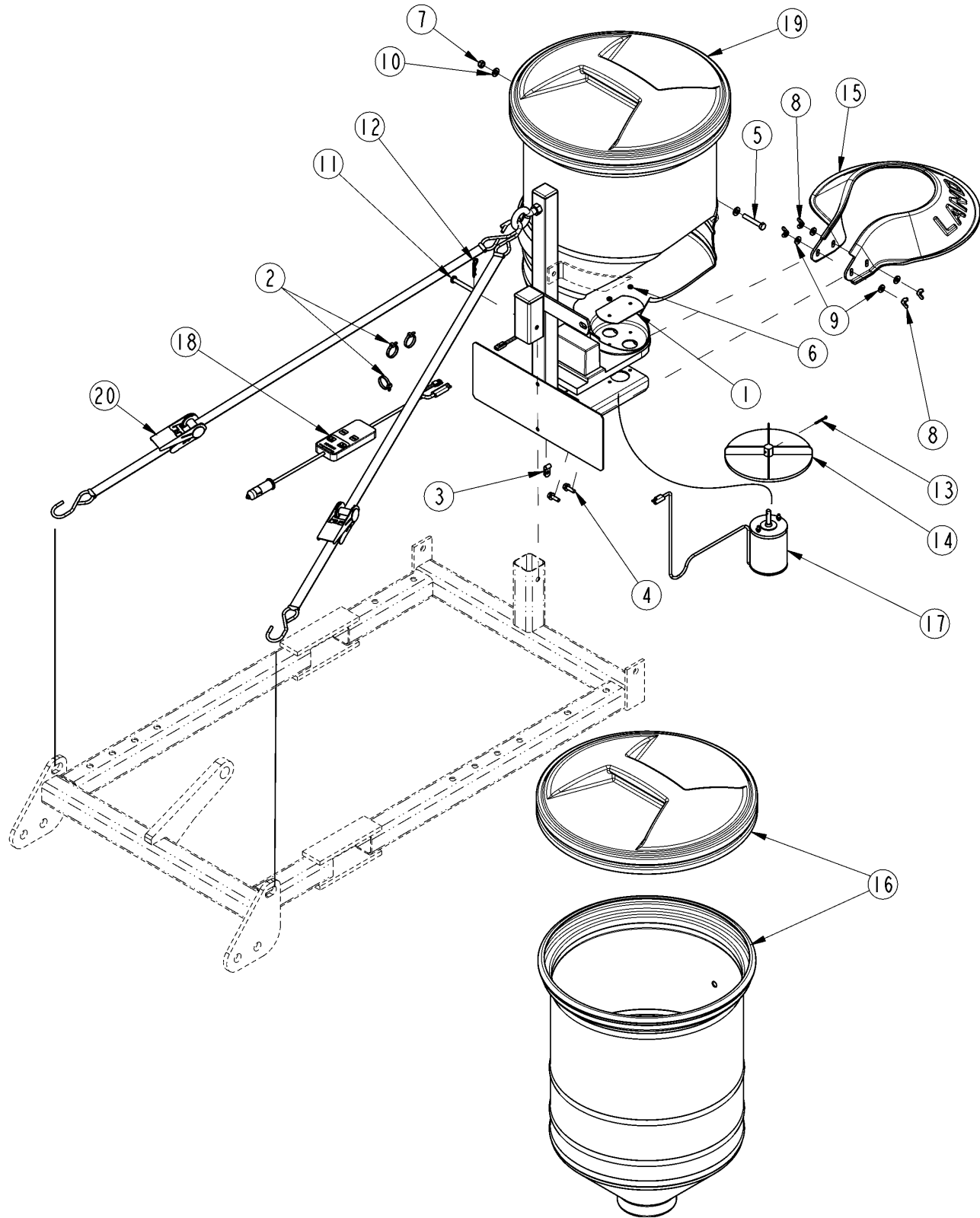
Rear Roller Option

Applies to FPS48

| Ref | Part No. | Part Description | Comments | Revision |
|-----|----------|--------------------------------|------------|----------|
| | dwg23900 | Drawing Image Number | | |
| | 322-114A | REAR ROLLER ASSEMBLY * | | |
| 1. | 322-113H | REAR ROLLER WELDMENT | | |
| 2. | 322-310H | FRAME, REAR ROLLER | S/N _____+ | |
| 2. | 322-115H | REAR ROLLER FRAME WELDMENT | S/N _____- | |
| 3. | 802-034C | HHCS 1/2-13X1 1/4 GR5 | | |
| 4. | 802-673C | HHCS 7/16-14X1 1/4 GR5 PLT | | |
| 5. | 803-169C | NUT HEX FLG. LOCK 1/2-13 PLT. | | |
| 6. | 803-229C | NUT HEX FLANGE LOC 7/16-14 PLT | | |
| 7. | 822-221C | BEARING PILLOW BLOCK 3/4ID 204 | | |

Seed Spreader Option

Applies to FPS48



23901

Seed Spreader Option**Applies to FPS48**

| Ref | Part No. | Part Description | Comments | Revision |
|-----|----------|-------------------------------|---|----------|
| | dwg23901 | Drawing Image Number | | |
| | 322-117A | SPIN SPREADER ASSEMBLY * | | |
| 1. | 322-106D | RESTRICTOR SMALL SEED | | |
| 2. | 800-060C | CABLE TIE .19X14.25 3DIA 50LB | As Required | |
| 3. | 800-347C | WIRING/TUBE CLIP FOR 1/4 OD | | |
| 4. | 802-257C | HFSS 1/4-20X3/4 GR5 | | |
| 5. | 802-473C | HHCS 5/16-18X2 FTHD | | |
| 6. | 803-064C | NUT HEX 8-32 | | |
| 7. | 803-084C | NUT HEX NYLOCK 5/16-18 PLT | | |
| 8. | 803-202C | NUT WING 1/4-20 PLT | | |
| 9. | 804-007C | WASHER FLAT 1/4 SAE PLT | S/N 519924+ | |
| 10. | 804-036C | WASHER FLAT 5/16 SAE PLT | | |
| 11. | 805-009C | PIN CLEVIS 5/16 X 2 1/2 | | |
| 12. | 805-010C | PIN HAIR COTTER .094 | | |
| 13. | 805-363C | PIN COTTER 1/8 X 1 | | |
| 14. | 817-690C | SPIN PLATE, SPIN SPREADER | | |
| 15. | 817-706C | DEFLECTOR SPIN SPREADER | S/N 519924+ | |
| 15. | 322-116H | RPBY 817-706C | S/N 519923- | |
| 16. | 817-707C | HOPPER & LID, SPREADER | | |
| 17. | 833-411C | MOTOR ELECTRIC, SPIN SPREADER | | |
| 18. | 833-412C | HARNESS ASSY, SPIN SPREADER | | |
| 19. | 840-246C | FERT/SEED SPREADER, ATV | Complete less Ref. 1 thru 12 & Item 15 | |
| 20. | 890-921C | STRAP, RATCHETING TIE DOWN | | |



Part Number Index

The Part Number Index is a numeric index of all part numbers included in this manual. The index shows what page(s) the part is used on.

| Part Number | Page | Part Number | Page | Part Number | Page |
|--------------|------------|-------------|--------|-------------|-------|
| 015300000042 | 9, 11 | 804-027C | 13, 15 | 838-936C | 19 |
| 0631188014 | 9, 11 | 804-029C | 13, 15 | 838-939C | 19 |
| 175-061D | 9, 11 | 804-036C | 27 | 838-940C | 19 |
| 175-061D82 | 9 | 804-171C | 15 | 838-967C | 19 |
| 322-017D | 7 | 805-009C | 27 | 840-246C | 27 |
| 322-061D | 13, 15 | 805-010C | 27 | 848-223C | 19 |
| 322-067D | 7 | 805-012C | 23 | 848-238C | 19 |
| 322-067D82 | 7 | 805-035C | 7 | 858-095C | 19 |
| 322-077D | 7 | 805-088C | 9, 11 | 890-177C | 9, 11 |
| 322-077D82 | 7 | 805-090C | 9, 11 | 890-903C | 7 |
| 322-086S | 13, 15, 17 | 805-094C | 13 | 890-921C | 27 |
| 322-106D | 27 | 805-108C | 7 | 891-245C | 7 |
| 322-106H | 7 | 805-363C | 7, 27 | Dwg 23765 | 15 |
| 322-106H82 | 7 | 806-201C | 17 | Dwg 74765 | 13 |
| 322-108H | 11 | 812-276C | 13, 15 | dwg23897 | 7 |
| 322-108H82 | 11 | 812-277C | 13, 15 | dwg23898 | 17 |
| 322-109H | 23 | 812-278C | 13, 15 | dwg23899 | 9 |
| 322-110H | 7 | 812-279C | 13, 15 | dwg23900 | 25 |
| 322-110H82 | 7 | 812-280C | 13, 15 | dwg23901 | 27 |
| 322-113H | 25 | 814-121C | 9, 11 | dwg23902 | 19 |
| 322-114A | 25 | 816-504C | 7 | dwg23903 | 23 |
| 322-115H | 25 | 817-387C | 7 | dwg25779 | 11 |
| 322-116H | 27 | 817-690C | 27 | TR-412 | 9, 11 |
| 322-117A | 27 | 817-706C | 27 | | |
| 322-119A | 23 | 817-707C | 27 | | |
| 322-123H | 7 | 818-230C | 19 | | |
| 322-123H82 | 7 | 818-298C | 19 | | |
| 322-124S | 7 | 818-681C | 19 | | |
| 322-232D | 11 | 818-719C | 19 | | |
| 322-258S | 9, 11 | 820-349C | 13, 15 | | |
| 322-258S82 | 9, 11 | 821-011C | 21 | | |
| 322-310H | 25 | 821-011CGL | 21 | | |
| 44324 | 23 | 821-011CQT | 21 | | |
| 5181861 | 9, 11 | 821-011CTU | 21 | | |
| 800-001C | 9, 11 | 821-054C | 21 | | |
| 800-060C | 27 | 821-054CGL | 21 | | |
| 800-347C | 27 | 821-054CQT | 21 | | |
| 802-005C | 7 | 821-054CTU | 21 | | |
| 802-034C | 25 | 821-058C | 21 | | |
| 802-039C | 9, 11 | 821-058CGL | 21 | | |
| 802-106C | 13, 15 | 821-058CQT | 21 | | |
| 802-130C | 23 | 821-058CTU | 21 | | |
| 802-143C | 11 | 821-066C | 21 | | |
| 802-162C | 7 | 821-066CGL | 21 | | |
| 802-257C | 27 | 821-066CQT | 21 | | |
| 802-315C | 7 | 821-066CTU | 21 | | |
| 802-392C | 7 | 821-067C | 21 | | |
| 802-473C | 27 | 821-067CGL | 21 | | |
| 802-635C | 13, 15 | 821-067CQT | 21 | | |
| 802-673C | 25 | 821-067CTU | 21 | | |
| 803-019C | 23 | 821-070C | 21 | | |
| 803-020C | 13, 15 | 821-070CGL | 21 | | |
| 803-026C | 9, 11 | 821-070CQT | 21 | | |
| 803-030C | 15 | 821-070CTU | 21 | | |
| 803-031C | 15 | 821-080C | 21 | | |
| 803-064C | 27 | 821-080CGL | 21 | | |
| 803-071C | 13 | 821-080CQT | 21 | | |
| 803-084C | 27 | 821-080CTU | 21 | | |
| 803-169C | 9, 11, 25 | 822-179C | 15 | | |
| 803-202C | 27 | 822-180C | 13, 15 | | |
| 803-209C | 11 | 822-181C | 15 | | |
| 803-229C | 7, 25 | 822-221C | 25 | | |
| 803-255C | 7 | 827-001C | 13 | | |
| 803-263C | 17 | 833-271C | 23 | | |
| 803-299C | 7 | 833-318C | 23 | | |
| 803-304C | 7, 17 | 833-402C | 23 | | |
| 804-007C | 7, 27 | 833-411C | 27 | | |
| 804-015C | 13, 15 | 833-412C | 27 | | |
| 804-024C | 9, 11 | 838-093C | 19 | | |
| 804-025C | 9 | 838-887C | 19 | | |

This Page Intentionally Left Blank



Great Plains Manufacturing, Inc.

Corporate Office: P.O. Box 5060
Salina, Kansas 67402-5060 USA

www.landpride.com
