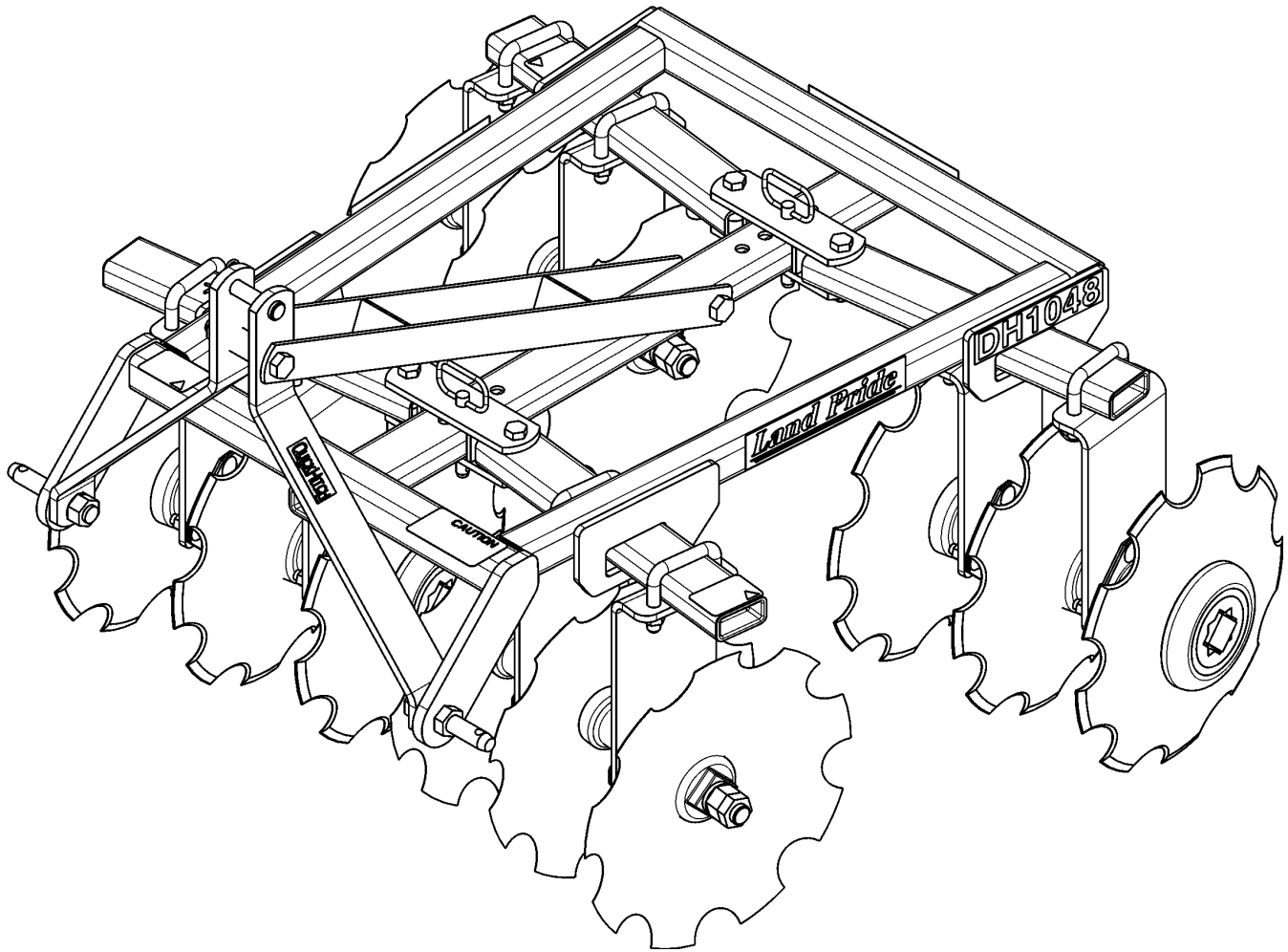


Disc Harrows

DH1048 & DH1060



23753

322-083P **Parts Manual**



Read the Operator's Manual entirely. When you see this symbol, the subsequent instructions and warnings are serious - follow without exception. Your life and the lives of others depend on it!

© Copyright 2020 Printed 08/31/20

Cover photo may show optional equipment not supplied with standard unit.





Table of Contents

Section 1: Introduction.....4
Using This Manual.....4
Manual Replacement Information.....4
Manual Revisions.....4
Touch-up Paint.....4
Hardware Legend.....5
Replacement Hardware.....5
Serial Numbers.....5
Part Number Service Coding.....5

DH10 SERIES

Section 2: Frame.....6
Frame and Hitch.....6
Section 3: Disc Assembly.....8
Disc Gang Assembly S/N _____ +.....8
Disc Gang Assembly S/N _____ -.....10
Disc Gang Assembly S/N _____ +.....12
Disc Gang Assembly S/N _____ -.....14
Disc Gang to Frame.....16
Section 4: Decals.....18
Decal Placement.....18
Touch-up Paints - LP.....20
Section 5: Options & Accessories.....22
Spreader/Hitch Option.....22

Part Number Index.....24

© Copyright 2020. All rights reserved.

Land Pride provides this publication “as is” without warranty of any kind, either expressed or implied. While every precaution has been taken in the preparation of this manual, Land Pride assumes no responsibility for errors or omissions. Neither is any liability assumed for damages resulting from the use of the information contained herein. Land Pride reserves the right to revise and improve its products as it sees fit. This publication describes the state of this product at the time of its publication, and may not reflect the product in the future. The illustrations in this manual are not intended for safe and proper assembly or disassembly of equipment. The illustrations are intended for ordering parts only.

Land Pride is registered trademark.

All other brands and product names are trademarks or registered trademarks of their respective holders.

Printed in the United States of America.



Alphabetized Table of Contents

DH10 SERIES

D

Decal Placement.....	18
Disc Gang Assembly S/N _____ +.....	8
Disc Gang Assembly S/N _____ -.....	10
Disc Gang Assembly S/N _____ +.....	12
Disc Gang Assembly S/N _____ -.....	14
Disc Gang to Frame.....	16

F

Frame and Hitch.....	6
----------------------	---

S

Spreader/Hitch Option.....	22
----------------------------	----

T

Touch-up Paints - LP.....	20
---------------------------	----

General Information

Using This Manual

This manual is divided into sections. The first section contains General Information. The remaining sections divide the machine into segments (i.e. Frames, Drives, Hydraulics, etc.) which illustrate and list all parts. A Parts Number Index is located at the back of the book.

The Land Pride parts in this manual are specially designed for this machine and should be replaced with Land Pride parts only.

The information in this manual is current at time of printing. Some parts may change to assure top performance.

Right-hand and left-hand as used in this manual are determined by facing the direction the machine will travel while in use.

Below is an example of two facing pages from a parts manual. Familiarize yourself with the type of information contained on these pages.

Manual Replacement Information

Replacement manuals are available. Refer to our website at www.landpride.com or e-mail us at lit@landpride.com for additional information. Our website continues to provide the most up-to-date manuals available.

Touch-up Paint

Repaint parts where paint is worn or scratched to prevent rust. Aerosol cans and touch-up bottles with brush applicator are available through your local dealer. Also available are quart and gallon size paints. Add QT or GL to end of the Aerosol P/N.

Land Pride color descriptions and part numbers are listed on the "Land Pride Touch-up Paints" page in the "Decals" section of this book. Color options vary by product.



General Information

Hardware Legend

AR	As Required
BLADE	Blade Bolt
C	Cap Screw
CP	Cotter Pin
CPHSSS	Cup Point Hex Socket Set Screw
CPSHSS	Cup Point Square Head Set Screw
CPSQHSS	Cup Point Square Head Set Screw
CRFCHMS3	Cross Recess Flat Countersunk Head Machine Screw
CRPHMS	Cross Recess Pan Head Machine Screw
CRPHTF	Cross Recess Pan Head Thread Forming
CRRHMS	Cross Recess Round Head Machine Screw
CRTHMS	Cross Recess Truss Head Machine Screw
CSNB	Countersunk Square Neck Bolt
FHMS	Flat Head Machine Screw
FTC	Full Thread Cap Screw
H	Hex Nut
HCLN	Hex Center Lock Nut
HFLCS	Hex Flange Lock Cap Screw
HFS	Hex Flange Screw
HFSLN	Hex Flange Serrated Lock Nut
HFSS	Hex Flange Serrated Screw
HHCS	Hex Head Cap Screw or Metric Bolt
HSBHCS	Hex Socket Button Head Cap Screw
HSFCHCS	Hex Socket Flat Countersunk Head Cap Screw
HSHCS	Hex Socket Head Cap Screw
HSSS	Hex Socket Head Screw
HTLN	Hex Top Lock Nut
HWHCS	Hex Washer Head Cap Screw

HWHMS	Hex Washer Head Machine Screw
HXBHCS	Hex Socket Button Head Cap Screw
J	Hex Jam Nut
JIC	37 Degree Tapered Thread
L	Helical Spring Lock Washer
LUG	Lug Bolt
NFC	National Fine Cap Screw
NPSM	National Pipe Straight Mechanical
NPTF	National Pipe Taper Fuel
P	Wide Plain Washer
PHMS	Pan Head Machine Screw
PLOW	Plow Bolt
RHMS	Round Head Machine Screw
RHSNB	Round Head Square Neck Bolt
SCREW LEVELING	Leveling Screw
SCREW THUMB	Thumb Screw
SCREW WELD	Weld Screw
SFCHMS	Slotted Flat Countersunk Head Machine Screw
SFHMS	Slotted Fillister Head Machine Screw
SP	Special
SP SCREW	Special Screw
SQHSS	Square Head Set Screw
SRHMS	Slotted Round Head Machine Screw
SSS	Socket Set Screw
STCS	Self Tapping Cap Screw
STHMS	Slotted Truss Head Machine Screw
WHEEL	Wheel Studs and Hub Long Bolts
WING	Wing Bolt

Replacement Hardware

The **Hardware Legend** above lists hardware abbreviations used in the parts list. All bolts and nuts are Grade 5 unless otherwise noted. The use of improper grades of hardware can result in personal injury, damage to equipment, or loss of property.

Colored Replacement Parts

Land Pride offers replacement parts in factory standard colors and also on select models in Green, Orange, Red and Blue. Because of the variety of colors available, special attention must be given to the part number to prevent ordering the wrong replacement part.

A suffix number corresponding to one of the colors below must be added at the end of Land Pride's part number when ordering a replacement part with that color.

81 Green 83 Red
82 Orange 84 Blue

For example, if you are ordering a replacement part with part number 555-555C and the part you need is red, then add the suffix 83 to the end of the number to make the part number read 555-555C83. Parts ordered without a suffix number will be supplied in factory standard colors.

Black Replacement Parts

Some parts are factory standard black and some must be special ordered black. If your part is special ordered black, a second part number with the additional suffix number 85 on the end will be available. In this situation you must order that part with the suffix number for it to be black. Parts that are factory standard black will not have the suffix number.

Part Number Service Coding

Within the parts list some part numbers are coded for revisions and interchangeability. See notations in revision column.

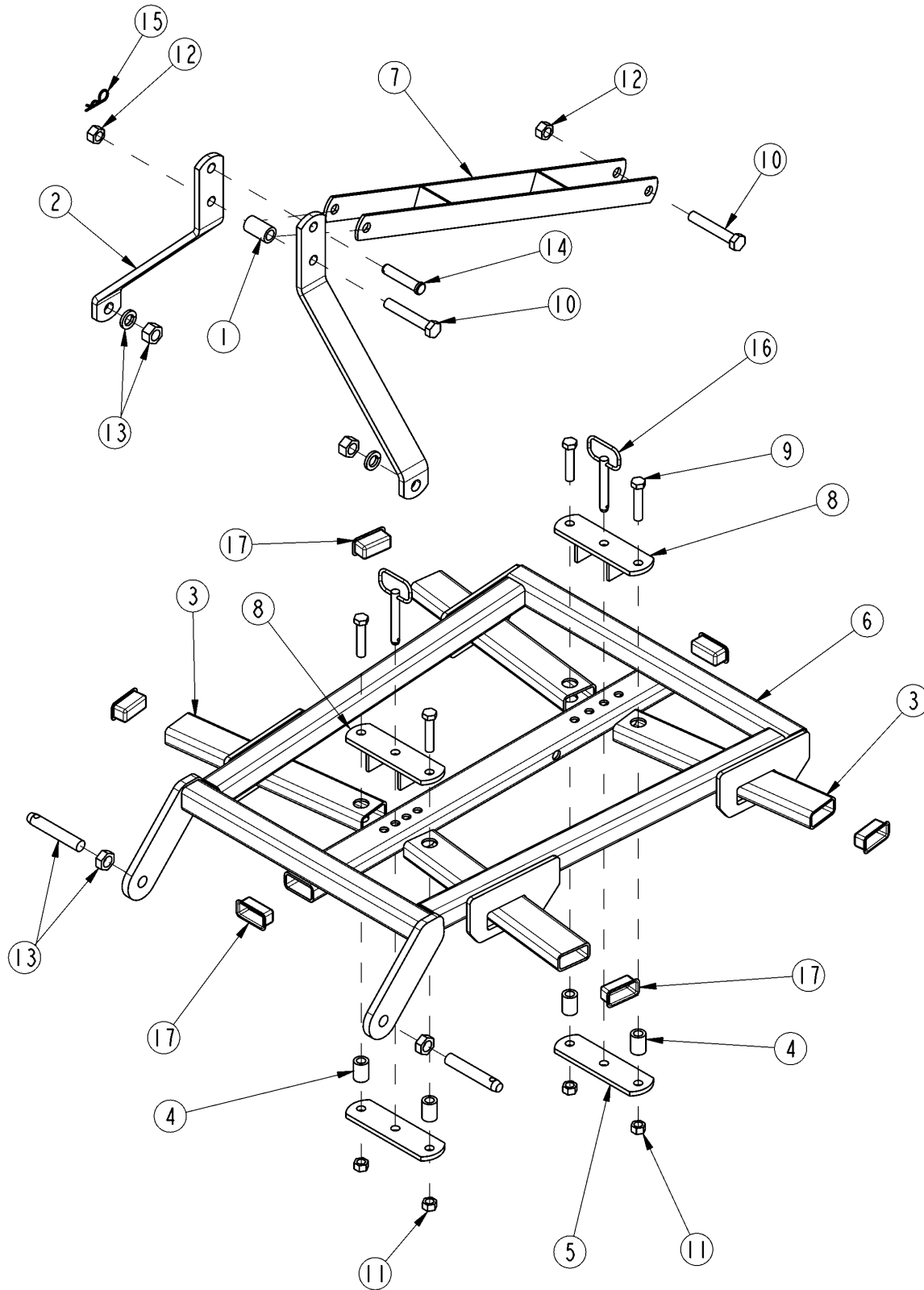
Serial Numbers

Always use the serial and model number when ordering parts. Refer to the Operator's Manual for serial number plate location.

- | | |
|----------------------|--|
| (S/N 20001+) | Includes serial numbers 20001 and above (to the latest number) |
| (S/N 10001 to 20000) | Includes serial numbers between and including 10001 and 20000 |
| (S/N 10000-) | Includes serial numbers 10000 and below (to the earliest number) |

Frame and Hitch

Applies to DH1048, DH1060



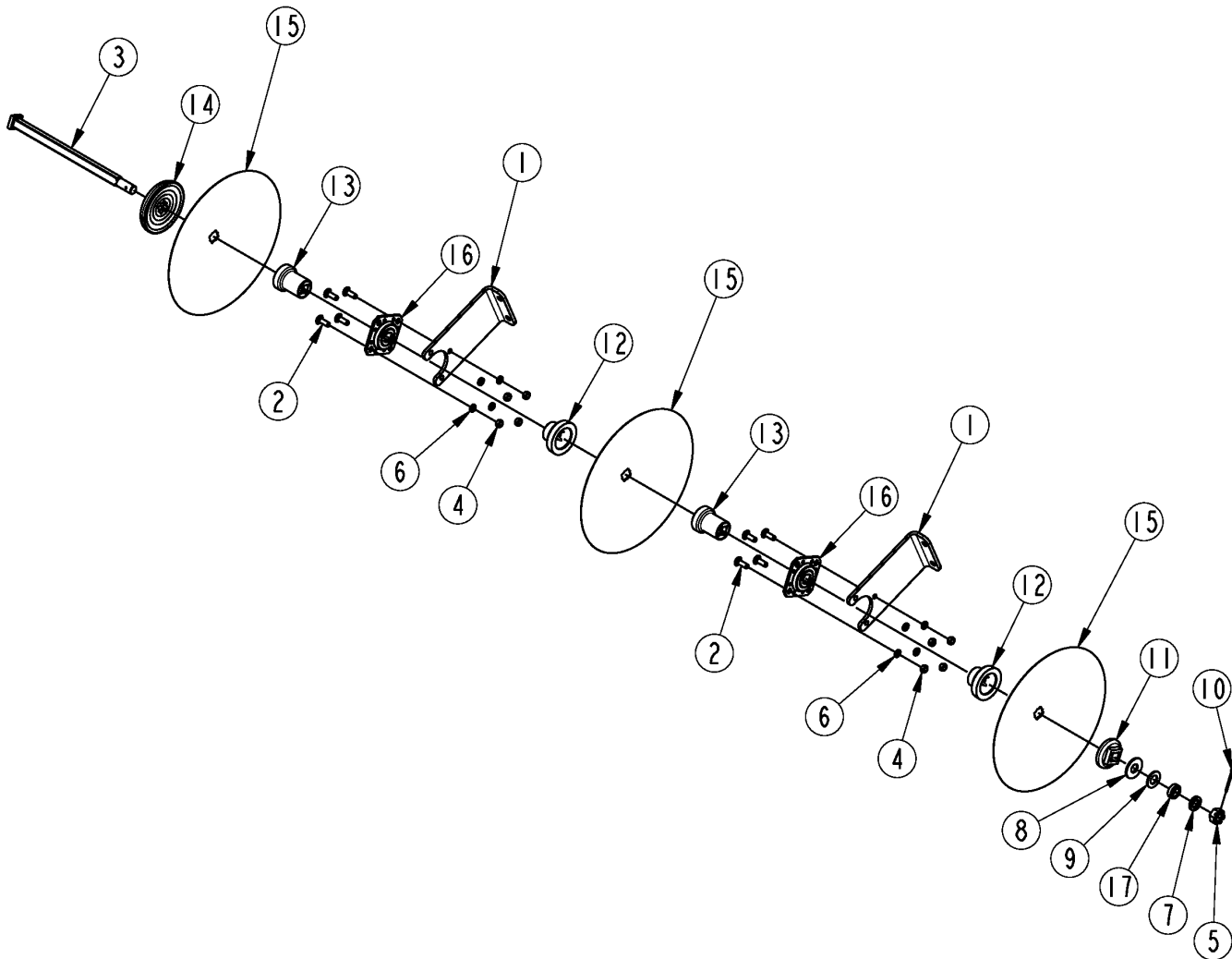
23749

Frame and Hitch**Applies to DH1048, DH1060**

Ref	Part No.	Part Description	Comments	Revision
	dwg24749	Drawing Image Number		
1.	322-009D	SPACER 1 1/4ODX7/32WLX2.12LG		
2.	322-010D	DISC UPPER 3PT STRAP SHORT		
2.	322-010D82	UPPER 3PNT STRAP SHORT ORANGE		
3.	322-055D	DISC FNT/BCK SWNG ARM TUBE 4FT		
3.	322-055D82	SWING ARM TUBE 4FT ORANGE		
3.	322-062D	DISC FNT/BCK SWG ARM TB DH1060		
3.	322-062D82	SWING ARM TUBE 5FT ORANGE		
4.	322-060D	DISC SPACER TB SWING ARM 1.56		
5.	322-066D	DISC SLIDE BRACKET DH10		
5.	322-066D82	DISC SLIDE BRACKET DH10 ORANGE		
6.	322-085H	DH10 FRAME WELDMNT		
6.	322-085H82	DH10 FRAME WELDMNT ORANGE		
7.	322-095H	BRACE UPPER 3PT WLDMT DH10		
7.	322-095H82	BRACE UPPER 3PT WLDMT ORANGE		
8.	322-096H	ADJ. SLIDE WLDMT TOP 3PT DH10		
8.	322-096H82	ADJUSTMNT SLIDE TOP 3PT ORANGE		
9.	802-059C	HHCS 5/8-11X3 GR5		
10.	802-192C	HHCS 3/4-10X4 1/2 GR5		
11.	803-024C	NUT LOCK 5/8-11 PLT		
12.	803-026C	NUT LOCK 3/4-10 PLT		
13.	805-111C	PIN DRAW 7/8 X 5		
14.	805-142C	PIN CLEVIS 3/4 X 3 1/2 PLT		
15.	805-143C	PIN HAIR COTTER .120 PLT		
16.	805-175C	PIN DETENT 5/8 X 3 3/4 USE-LG		
17.	817-654C	PLASTIC END CAP 3X1.5X.187WL		

Disc Gang Assembly S/N _____ +

Applies to DH1048



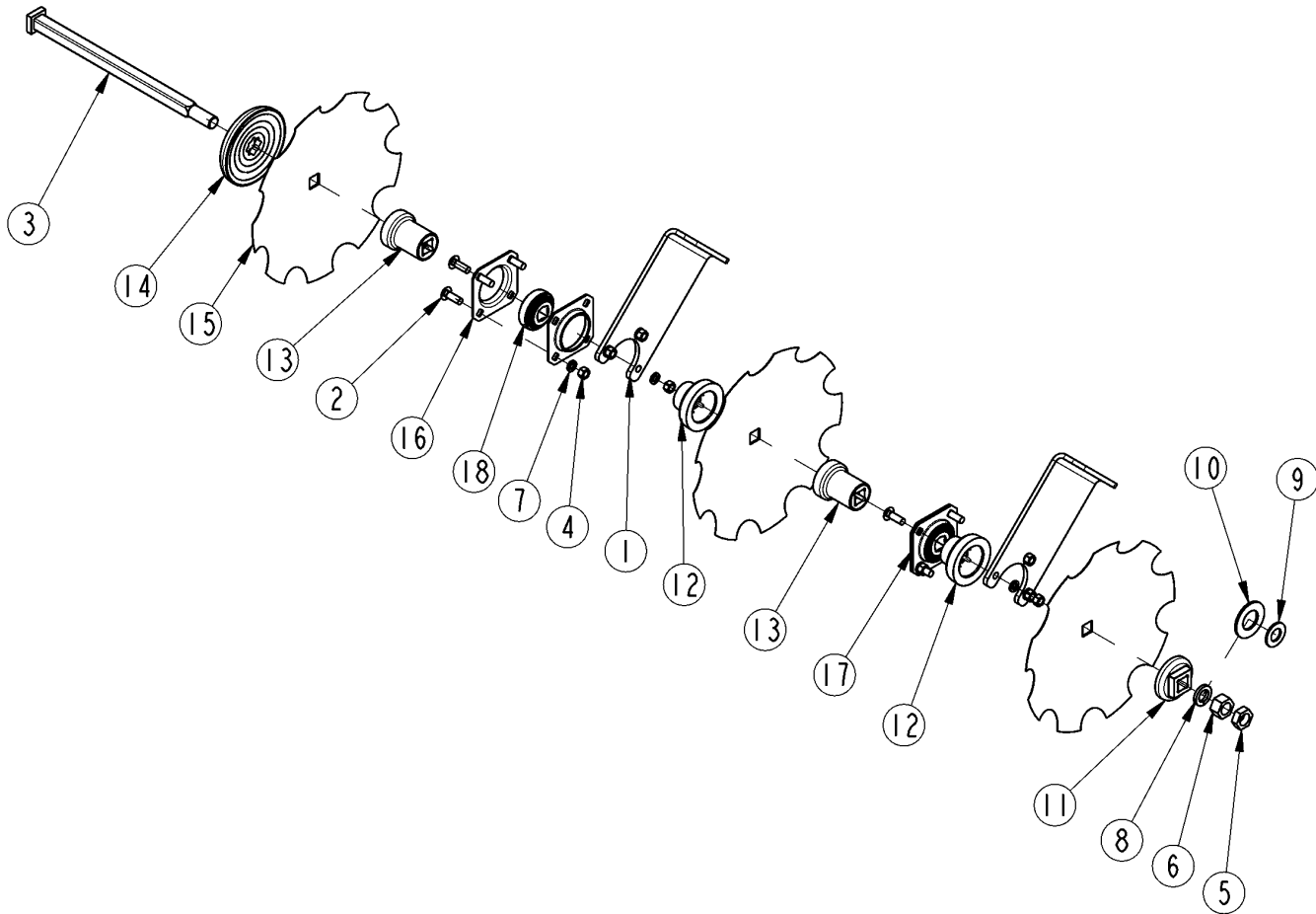
74733

Disc Gang Assembly S/N _____ +**Applies to DH1048**

Ref	Part No.	Part Description	Comments	Revision
	Dwg 74733	Image No.		
	322-097S	3-16 IN NOTCHED DISC SUB-ASSY		
	322-098S	3-18 IN NOTCHED DISC SUB-ASSY		
	322-099S	3-16 IN SMOOTH DISC SUB-ASSY		
	322-100S	3-18 IN SMOOTH DISC SUB-ASSY		
		*		
1.	322-061D	DISC HANGER BRACKET DH10		
2.	802-106C	RHSNB 1/2-13X1 1/2 GR5		
3.	802-801C	SP SQHD 1-8 X 18.83 SQ. SHANK		
4.	803-020C	NUT HEX 1/2-13 PLT		
5.	803-071C	NUT HEX SLOTTED 1-8 PLT.		
6.	804-015C	WASHER LOCK SPRING 1/2 PLT		
7.	804-027C	WASHER LOCK SPRING 1 PLT		
8.	804-028C	WASHER FLAT 1 USS PLT		
9.	804-029C	WASHER FLAT 1 SAE		
10.	805-094C	PIN COTTER 3/16 X 2 1/4 PLT		
11.	812-276C	DISC HARROW SMALL CAP CASTING		
12.	812-277C	DISC HARROW 2 3/8LG SPCR CAST.		
13.	812-278C	DISC HARROW 3 5/8LG SPCR CAST.		
14.	812-280C	DISC HARROW LARGE CAP CASTING		
15.	820-348C	16IN 3MM PLAIN DISC BLADE SQHL		
15.	820-349C	16IN 3MM NOTCHED DISC BLD SQHL		
15.	820-221C	18IN 3MM NOTCHED DISC BLD SQHL		
15.	820-223C	18IN 3MM PLAIN DISC BLADE SQHL		
16.	822-180C	BRG FLG 1.00SQ 4BOLT		
17.	827-001C	SPACER 1/2		

Disc Gang Assembly S/N _____ -

Applies to DH1048



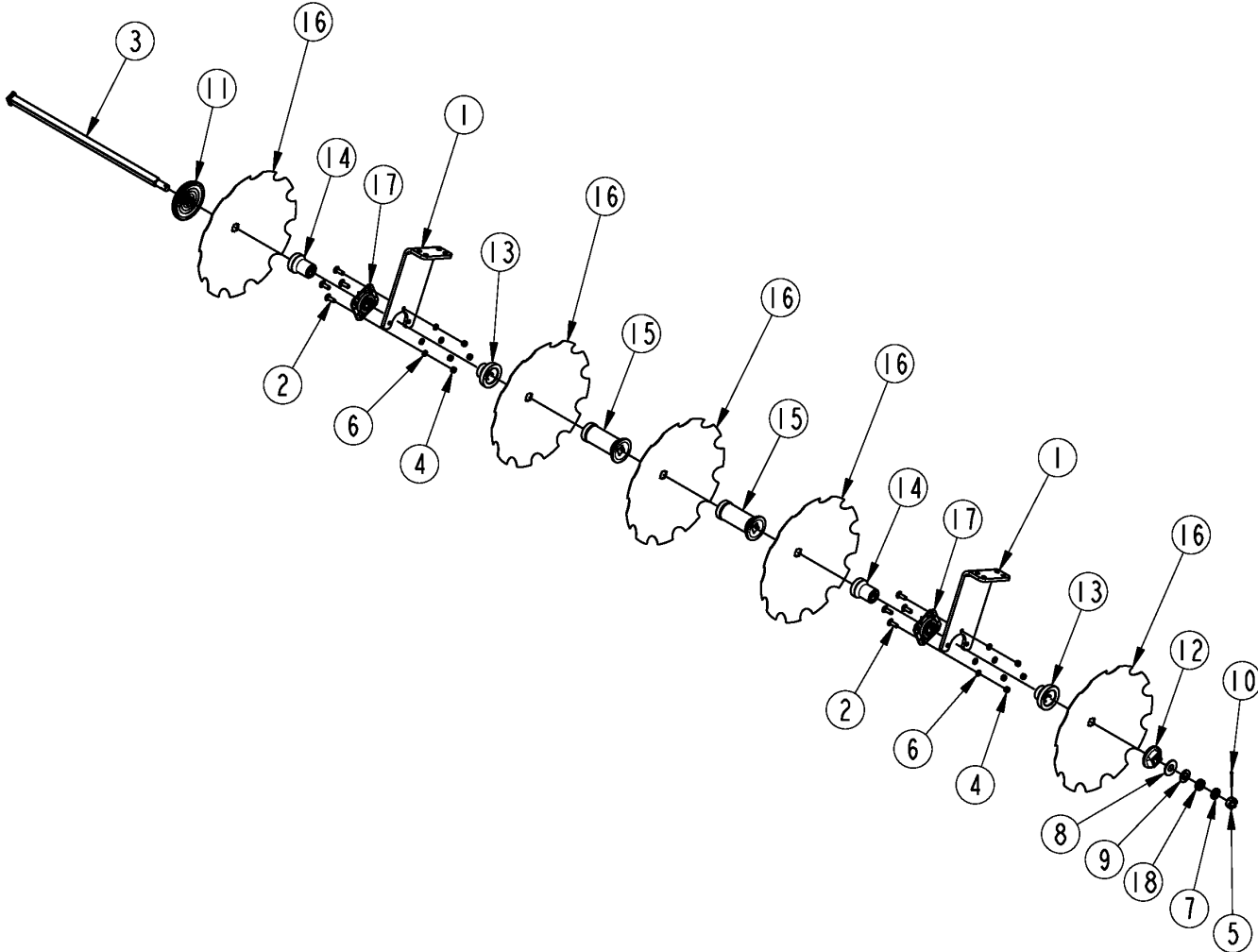
23750

Disc Gang Assembly S/N _____ -**Applies to DH1048**

Ref	Part No.	Part Description	Comments	Revision
	Dwg 23750	Drawing Image Number		
	322-097S	3-16 IN NOTCHED DISC SUB-ASSY		
	322-098S	3-18 IN NOTCHED DISC SUB-ASSY		
	322-099S	3-16 IN SMOOTH DISC SUB-ASSY		
	322-100S	3-18 IN SMOOTH DISC SUB-ASSY		
		*		
1.	322-061D	DISC HANGER BRACKET DH10		
2.	802-106C	RHSNB 1/2-13X1 1/2 GR5		
3.	802-801C	SP SQHD 1-8 X 18.83 SQ. SHANK		
4.	803-020C	NUT HEX 1/2-13 PLT		
5.	803-030C	NUT HEX JAM 1-8 PLT		
6.	803-031C	NUT HEX 1-8 PLT		
7.	804-015C	WASHER LOCK SPRING 1/2 PLT		
8.	804-027C	WASHER LOCK SPRING 1 PLT		
9.	804-029C	WASHER FLAT 1 SAE		
10.	804-171C	WASHER FLAT 1 3/8HARD ASTM436		
11.	812-276C	DISC HARROW SMALL CAP CASTING		
12.	812-277C	DISC HARROW 2 3/8LG SPCR CAST.		
13.	812-278C	DISC HARROW 3 5/8LG SPCR CAST.		
14.	812-280C	DISC HARROW LARGE CAP CASTING		
15.	820-349C	16IN 3MM NOTCHED DISC BLD SQHL		
15.	820-348C	16IN 3MM PLAIN DISC BLADE SQHL		
15.	820-221C	18IN 3MM NOTCHED DISC BLD SQHL		
15.	820-223C	18IN 3MM PLAIN DISC BLADE SQHL		
16.	822-179C	FLANGETTE 4 BLT FLG,4.687 B.C.		
17.	822-180C	FLANGED BEARING INCORP BALLBRG		
18.	822-181C	BRG SPHERE 1SQ.B. W208PPB6-NCO		

Disc Gang Assembly S/N _____ +

Applies to DH1060



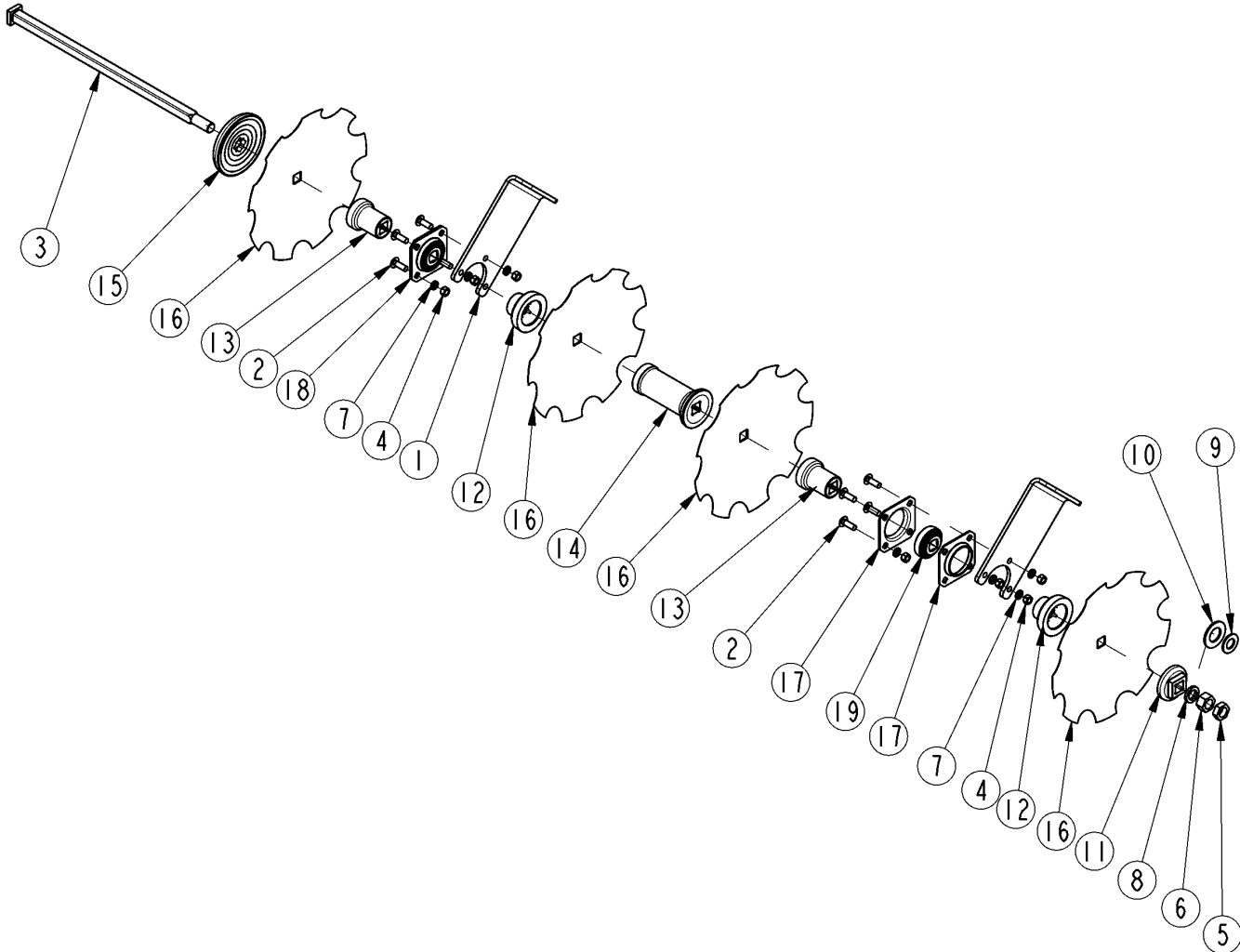
74739

Disc Gang Assembly S/N_____+**Applies to DH1060**

Ref	Part No.	Part Description	Comments	Revision
	Dwg 74739	Image No.		
	322-086S	4-16 IN. NOTCHED DISC SUB-ASSY		
	322-087S	4-18 IN. NOTCHED DISC SUB-ASSY		
	322-088S	4-16 IN. SMOOTH DISC SUB-ASSY		
	322-089S	4-18 IN. SMOOTH DISC SUB-ASSY		
		*		
1.	322-039D	25 DISC HANGER BRACKET		
2.	802-106C	RHSNB 1/2-13X1 1/2 GR5		
3.	802-693C	SP SQHD 1 1/8 SQ.SHANK 33.88LG		
4.	803-020C	NUT HEX 1/2-13 PLT		
5.	803-071C	NUT HEX SLOTTED 1-8 PLT.		
6.	804-015C	WASHER LOCK SPRING 1/2 PLT		
7.	804-027C	WASHER LOCK SPRING 1 PLT		
8.	804-028C	WASHER FLAT 1 USS PLT		
9.	804-029C	WASHER FLAT 1 SAE		
10.	805-094C	PIN COTTER 3/16 X 2 1/4 PLT		
11.	812-280C	DISC HARROW LARGE CAP CASTING		
12.	812-284C	DISC SMALL CAP CASTING 1 1/8SQ		
13.	812-285C	DISC 2 3/8LG SPCR CAST 1 1/8SQ		
14.	812-286C	DISC 3 5/8LG SPCR CAST 1 1/8SQ		
15.	812-287C	DISC 7 7/16LG SPCR CAST1 1/8SQ		
16.	820-349C	16IN 3MM NOTCHED DISC BLD SQHL		
16.	820-348C	16IN 3MM PLAIN DISC BLADE SQHL		
16.	820-221C	18IN 3MM NOTCHED DISC BLD SQHL		
16.	820-223C	18IN 3MM PLAIN DISC BLADE SQHL		
17.	822-183C	BRG FLG 1 1/8SQ 4BOLT		
18.	827-001C	SPACER 1/2		

Disc Gang Assembly S/N _____ -

Applies to DH1060



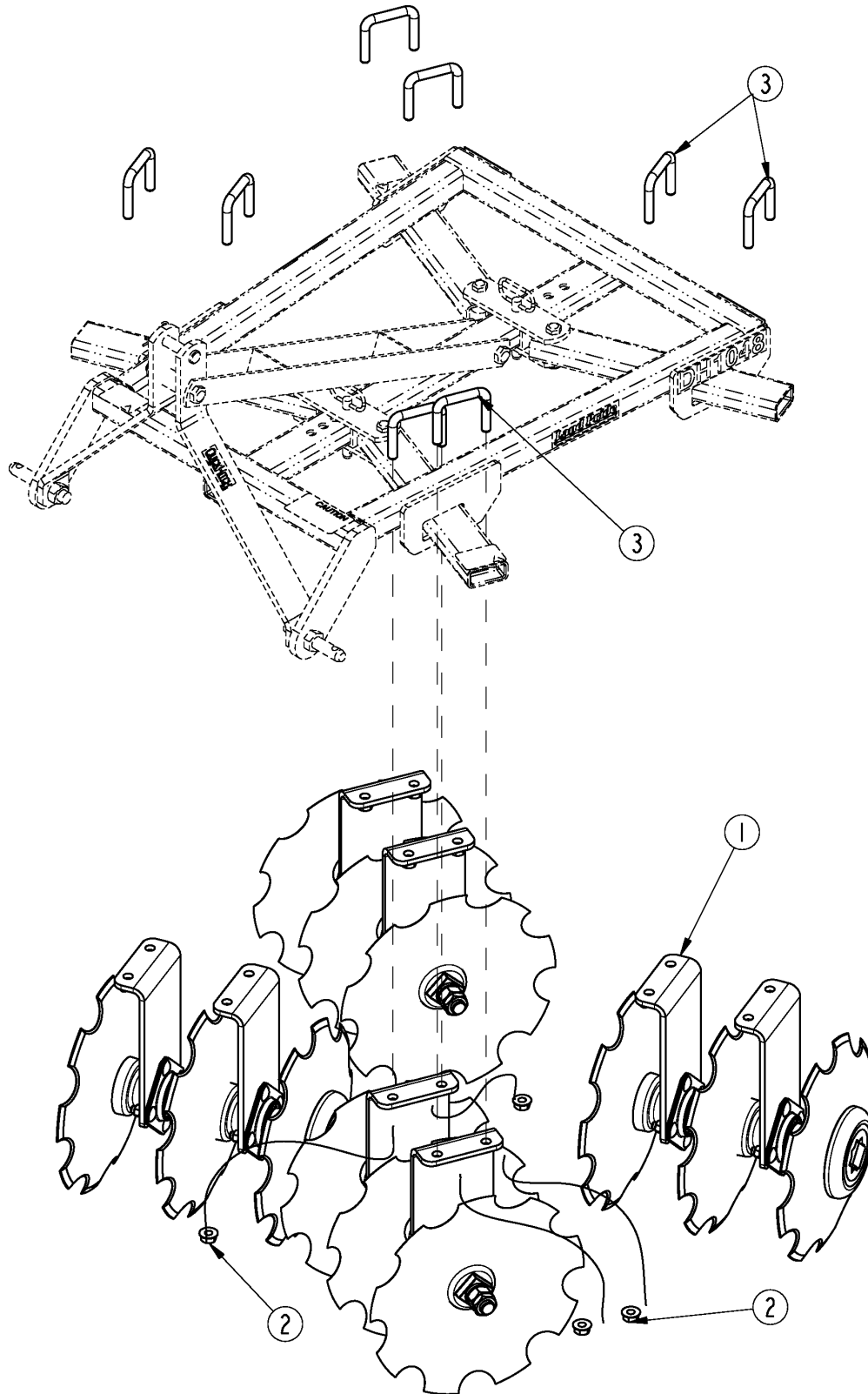
23765

Disc Gang Assembly S/N_____ -**Applies to DH1060**

Ref	Part No.	Part Description	Comments	Revision
	Dwg 23765	Drawing Image Number		
	322-086S	4-16 IN. NOTCHED DISC SUB-ASSY		
	322-087S	4-18 IN. NOTCHED DISC SUB-ASSY		
	322-088S	4-16 IN. SMOOTH DISC SUB-ASSY		
	322-089S	4-18 IN. SMOOTH DISC SUB-ASSY		
		*		
1.	322-061D	DISC HANGER BRACKET DH10		
2.	802-106C	RHSNB 1/2-13X1 1/2 GR5		
3.	802-635C	SP SQHD 1-8 X 26.38 SQ.SHANK		
4.	803-020C	NUT HEX 1/2-13 PLT		
5.	803-030C	NUT HEX JAM 1-8 PLT		
6.	803-031C	NUT HEX 1-8 PLT		
7.	804-015C	WASHER LOCK SPRING 1/2 PLT		
8.	804-027C	WASHER LOCK SPRING 1 PLT		
9.	804-029C	WASHER FLAT 1 SAE	As Required	
10.	804-171C	WASHER FLAT 1 3/8 HARD ASTM436	As Required	
11.	812-276C	DISC HARROW SMALL CAP CASTING		
12.	812-277C	DISC HARROW 2 3/8LG SPCR CAST.		
13.	812-278C	DISC HARROW 3 5/8LG SPCR CAST.		
14.	812-279C	DISC HARROW 7 7/16LG SPCR CAST		
15.	812-280C	DISC HARROW LARGE CAP CASTING		
16.	820-349C	16IN 3MM NOTCHED DISC BLD SQHL		
16.	820-348C	16IN 3MM PLAIN DISC BLADE SQHL		
16.	820-221C	18IN 3MM NOTCHED DISC BLD SQHL		
16.	820-223C	18IN 3MM PLAIN DISC BLADE SQHL		
17.	822-179C	FLANGETTE 4 BLT FLG,4.687 B.C.		
18.	822-180C	FLANGED BEARING INCORP BALLBRG		
19.	822-181C	BRG SPHERE 1SQ.B. W208PPB6-NCO		

Disc Gang to Frame

Applies to DH1048, DH1060



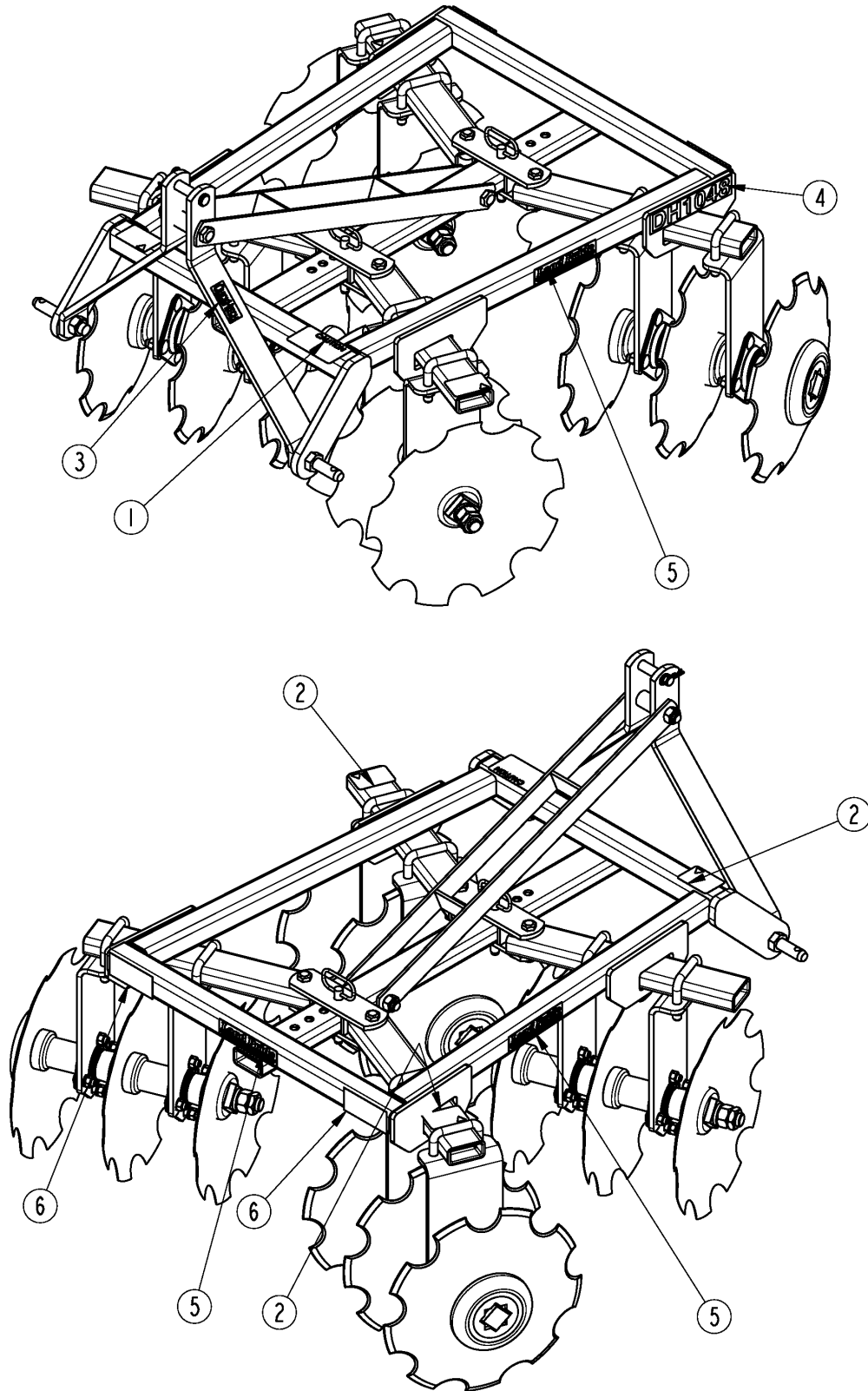
23751

Disc Gang to Frame**Applies to DH1048, DH1060**

Ref	Part No.	Part Description	Comments	Revision
	dwg23751	Drawing Image Number		
1.	322-097S	3-16 IN NOTCHED DISC SUB-ASSY		
1.	322-086S	4-16 IN. NOTCHED DISC SUB-ASSY		
1.	322-087S	4-18 IN. NOTCHED DISC SUB-ASSY		
1.	322-088S	4-16 IN. SMOOTH DISC SUB-ASSY		
1.	322-089S	4-18 IN. SMOOTH DISC SUB-ASSY		
1.	322-097S	3-16 IN NOTCHED DISC SUB-ASSY		
1.	322-098S	3-18 IN NOTCHED DISC SUB-ASSY		
1.	322-099S	3-16 IN SMOOTH DISC SUB-ASSY		
1.	322-100S	3-18 IN SMOOTH DISC SUB-ASSY		
2.	803-304C	NUT HEX WHIZ 5/8-11 PLT	S/N 824186+	
2.	803-263C	NUT HEX FLANGE LOCK 5/8-11 PLT	S/N 824185-	
3.	806-201C	U-BOLT,5/8-11X3 1/32X3		

Decal Placement

Applies to DH1048, DH1060



23752

Decal Placement**Applies to DH1048, DH1060**

Ref	Part No.	Part Description	Comments	Revision
	Dwg 26752	Drawing Image Number		
1.	818-719C	DECAL CAUTION GENERAL INSTR		
2.	838-093C	DECAL SHARP OBJ HAZARD DISCS		
3.	838-517C	DECAL QUICK HITCH SYSTEM		
4.	838-825C	DECAL DH1048-GOLD		
4.	848-224C	RPBY 838-825C	Obsolete	
4.	838-826C	DECAL DH1060-GOLD	Beige Unit	
4.	848-225C	DECAL DH1060-GOLD	Orange Unit	
5.	838-936C	RPBY 838-967C	(S/N 494088 +) Beige Unit	
5.	838-967C	DECAL LANDPRIDE 6" BROWN/GOLD	Orange Unit	
5.	818-897C	RPBY 848-159C	(S/N 494087 -)	
5.	848-159C	DECAL LANDPRIDE 10" BROWN/GOLD		
6.	858-095C	DECAL REFLECTOR RED 2X4.5	S/N 821694+	

Touch-up Paints - LP

Applies to DH1048, DH1060

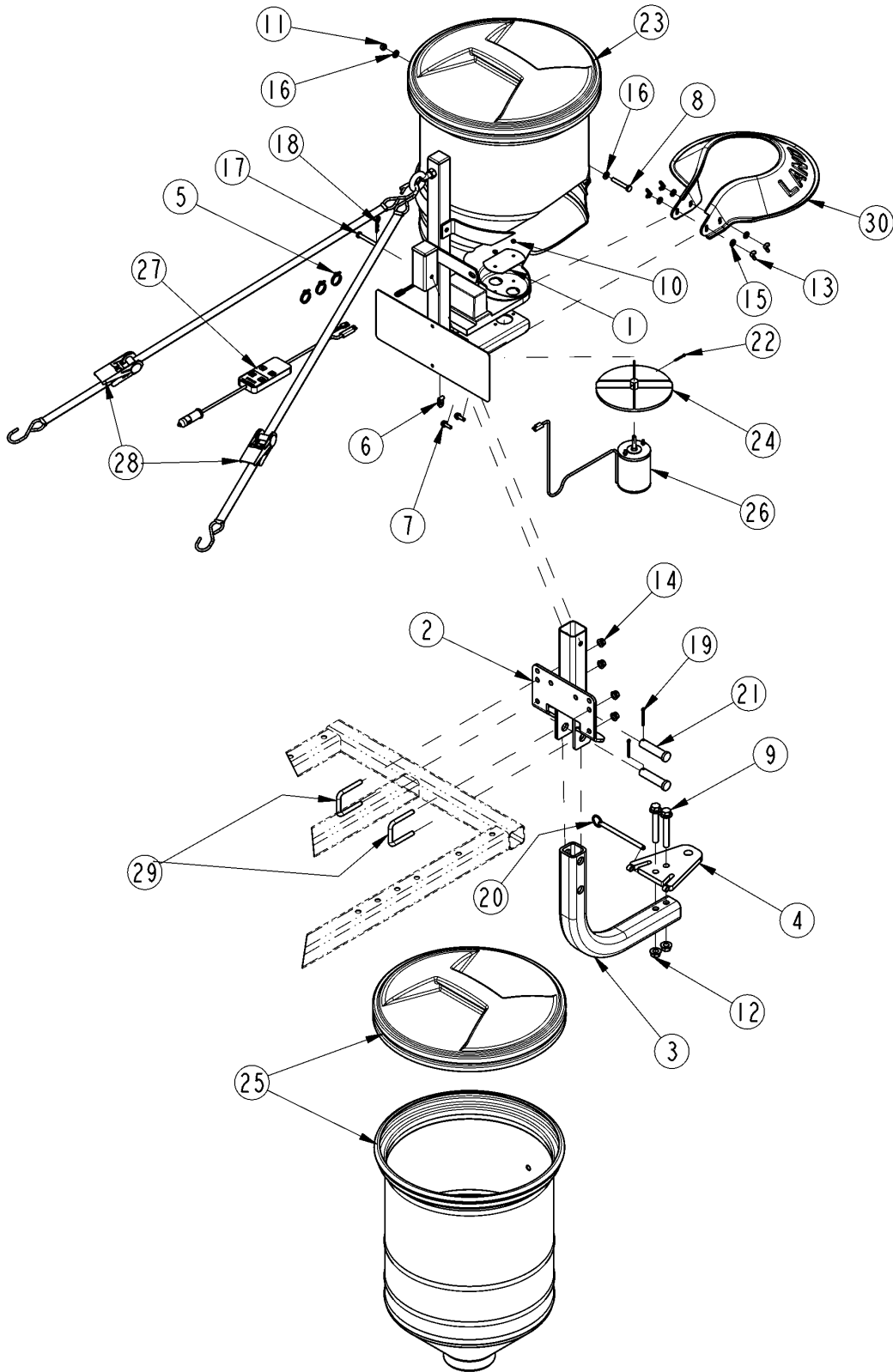
No diagram associated with this Parts List

Touch-up Paints - LP**Applies to DH1048, DH1060**

Ref	Part No.	Part Description	Comments	Revision
1.	821-011C	LP BEIGE SPRAY CAN	Spray can	
1.	821-011CTU	LP BEIGE TOUCH-UP 5OZ	Touch-up bottle with brush	
1.	821-011CQT	LP BEIGE QUART	Quart can	
1.	821-011CGL	LP BEIGE GALLON	Gallon can	
2.	821-070C	GLOSS BLACK SPRAY CAN	Spray can	
2.	821-070CTU	GLOSS BLACK TOUCH-UP 5OZ	Touch-up bottle with brush	
2.	821-070CQT	GLOSS BLACK QUART	Quart can	
2.	821-070CGL	GLOSS BLACK GALLON	Gallon can	
3.	821-054C	MED. RED SPRAY TRCK/CTR	Spray can	
3.	821-054CTU	MED RED TOUCH-UP 5OZ	Touch-up bottle with brush	
3.	821-054CQT	MED RED QUART	Quart can	
3.	821-054CGL	MED RED GALLON	Gallon can	
4.	821-058C	GREEN SPRAY CUTTERS	Spray can	
4.	821-058CTU	GREEN TOUCH-UP 5OZ	Touch-up bottle with brush	
4.	821-058CQT	GREEN QUART	Quart can	
4.	821-058CGL	GREEN GALLON	Gallon can	
5.	821-066C	ORANGE SPRAY CAN	Spray can	
5.	821-066CTU	ORANGE TOUCH-UP 5OZ	Touch-up bottle with brush	
5.	821-066CQT	ORANGE QUART	Quart can	
5.	821-066CGL	ORANGE GALLON	Gallon can	
6.	821-067C	BLUE SPRAY CAN	Spray can	
6.	821-067CTU	BLUE TOUCH-UP 5OZ	Touch-up bottle with brush	
6.	821-067CQT	BLUE QUART	Quart can	
6.	821-067CGL	BLUE GALLON	Gallon can	
7.	821-080C	PAINT ALUMINUM/ZINC SPRAY CAN	Spray can	
7.	821-080CTU	PAINT ALUMINUM/ZINC TOUCH UP	Touch-up bottle with brush	
7.	821-080CQT	PAINT ALUMINUM/ZINC QUART	Quart can	
7.	821-080CGL	PAINT ALUMINUM/ZINC GALLON	Gallon can	

Spreader/Hitch Option

Applies to DH1048, DH1060



25793

Spreader/Hitch Option**Applies to DH1048, DH1060**

Ref	Part No.	Part Description	Comments	Revision
	dwg25793	Drawing Image Number		
	322-156A	SPIN SPRDR W/MOUNT AND HITCH *		
1.	322-106D	RESTRICTOR SMALL SEED		
2.	322-131H	SPREADER MOUNT WLDMT REAR		
3.	322-148D	HITCH REAR, DISC		
4.	322-187H	HITCH WLDMT		
5.	800-060C	CABLE TIE .19X14.25 3DIA 50LB		
6.	800-347C	WIRING/TUBE CLIP FOR 1/4 OD		
7.	802-257C	HFSS 1/4-20X3/4 GR5		
8.	802-473C	HHCS 5/16-18X2 FTHD		
9.	802-658C	HFS 1/2-13 X 3 1/2 GR5/8		
10.	803-064C	NUT HEX 8-32		
11.	803-084C	NUT HEX NYLOCK 5/16-18 PLT		
12.	803-169C	NUT HEX FLG. LOCK 1/2-13 PLT.		
13.	803-202C	NUT WING 1/4-20 PLT		
14.	803-209C	NUT FLANGE LOCK 3/8-16 PLT		
15.	804-007C	WASHER FLAT 1/4 SAE PLT		
16.	804-036C	WASHER FLAT 5/16 SAE PLT		
17.	805-009C	PIN CLEVIS 5/16 X 2 1/2		
18.	805-010C	PIN HAIR COTTER .094		
19.	805-089C	PIN COTTER 5/32 X 1 1/2 LONG		
20.	805-308C	PIN HITCH 3/8X5 1/8USBL DETENT		
21.	805-318C	PIN CLEVIS 3/4 X 2 49/64 USBL		
22.	805-363C	PIN COTTER 1/8 X 1		
23.	840-246C	FERT/SEED SPREADER, ATV	Includes Item 24 Thru 28	
24.	817-690C	SPIN PLATE, SPIN SPREADER		
25.	817-707C	HOPPER & LID, SPREADER		
26.	833-411C	MOTOR ELECTRIC, SPIN SPREADER		
27.	833-412C	HARNESS ASSY, SPIN SPREADER		
28.	890-921C	STRAP, RATCHETING TIE DOWN		
29.	806-004C	U-BOLT 3/8-16 X 2 X 2 3/4		
30.	817-706C	DEFLECTOR SPIN SPREADER		



Part Number Index

The Part Number Index is a numeric index of all part numbers included in this manual. The index shows what page(s) the part is used on.

<u>Part Number</u>	<u>Page</u>	<u>Part Number</u>	<u>Page</u>	<u>Part Number</u>	<u>Page</u>
322-009D	7	805-308C	23	890-921C	23
322-010D	7	805-318C	23	Dwg 23750	11
322-010D82	7	805-363C	23	Dwg 23765	15
322-039D	13	806-004C	23	Dwg 26752	19
322-055D	7	806-201C	17	Dwg 74733	9
322-055D82	7	812-276C	9, 11, 15	Dwg 74739	13
322-060D	7	812-277C	9, 11, 15	dwg23751	17
322-061D	9, 11, 15	812-278C	9, 11, 15	dwg24749	7
322-062D	7	812-279C	15	dwg25793	23
322-062D82	7	812-280C	9, 11, 13, 15		
322-066D	7	812-284C	13		
322-066D82	7	812-285C	13		
322-085H	7	812-286C	13		
322-085H82	7	812-287C	13		
322-086S	13, 15, 17	817-654C	7		
322-087S	13, 15, 17	817-690C	23		
322-088S	13, 15, 17	817-706C	23		
322-089S	13, 15, 17	817-707C	23		
322-095H	7	818-719C	19		
322-095H82	7	818-897C	19		
322-096H	7	820-221C	9, 11, 13, 15		
322-096H82	7	820-223C	9, 11, 13, 15		
322-097S	9, 11, 17	820-348C	9, 11, 13, 15		
322-098S	9, 11, 17	820-349C	9, 11, 13, 15		
322-099S	9, 11, 17	821-011C	21		
322-100S	9, 11, 17	821-011CGL	21		
322-106D	23	821-011CQT	21		
322-131H	23	821-011CTU	21		
322-148D	23	821-054C	21		
322-156A	23	821-054CGL	21		
322-187H	23	821-054CQT	21		
800-060C	23	821-054CTU	21		
800-347C	23	821-058C	21		
802-059C	7	821-058CGL	21		
802-106C	9, 11, 13, 15	821-058CQT	21		
802-192C	7	821-058CTU	21		
802-257C	23	821-066C	21		
802-473C	23	821-066CGL	21		
802-635C	15	821-066CQT	21		
802-658C	23	821-066CTU	21		
802-693C	13	821-067C	21		
802-801C	9, 11	821-067CGL	21		
803-020C	9, 11, 13, 15	821-067CQT	21		
803-024C	7	821-067CTU	21		
803-026C	7	821-070C	21		
803-030C	11, 15	821-070CGL	21		
803-031C	11, 15	821-070CQT	21		
803-064C	23	821-070CTU	21		
803-071C	9, 13	821-080C	21		
803-084C	23	821-080CGL	21		
803-169C	23	821-080CQT	21		
803-202C	23	821-080CTU	21		
803-209C	23	822-179C	11, 15		
803-263C	17	822-180C	9, 11, 15		
803-304C	17	822-181C	11, 15		
804-007C	23	822-183C	13		
804-015C	9, 11, 13, 15	827-001C	9, 13		
804-027C	9, 11, 13, 15	833-411C	23		
804-028C	9, 13	833-412C	23		
804-029C	9, 11, 13, 15	838-093C	19		
804-036C	23	838-517C	19		
804-171C	11, 15	838-825C	19		
805-009C	23	838-826C	19		
805-010C	23	838-936C	19		
805-089C	23	838-967C	19		
805-094C	9, 13	840-246C	23		
805-111C	7	848-159C	19		
805-142C	7	848-224C	19		
805-143C	7	848-225C	19		
805-175C	7	858-095C	19		

This Page Intentionally Left Blank



Great Plains Manufacturing, Inc.

Corporate Office: P.O. Box 5060
Salina, Kansas 67402-5060 USA

www.landpride.com
