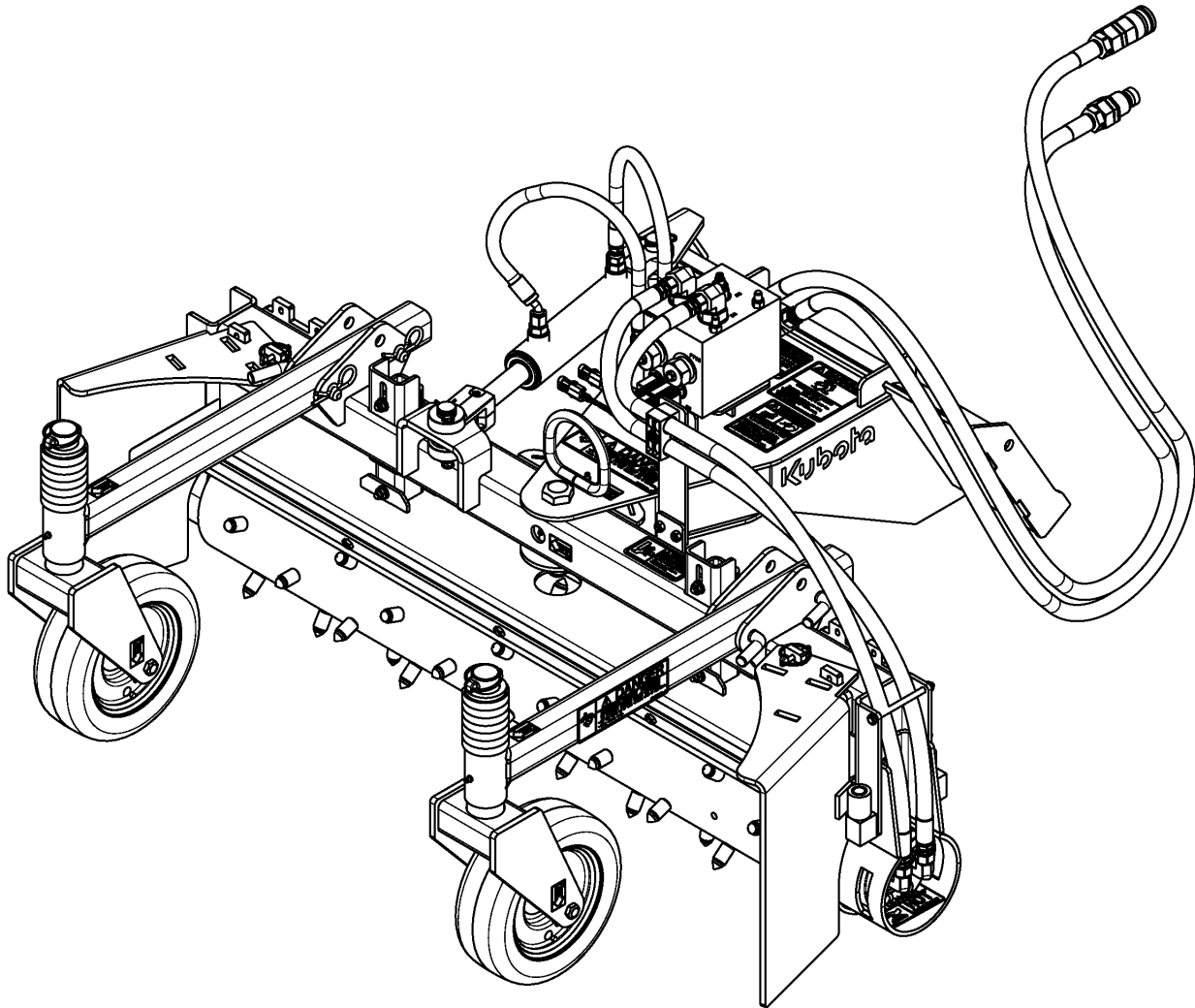


# Compact Powered Rake

AP-CSR1048



74760

**321-150PK**  
**Parts Manual**

**Kubota**®



Read the Operator's Manual entirely. When you see this symbol, the subsequent instructions and warnings are serious - follow without exception. Your life and the lives of others depend on it!

© Copyright 2020 Printed 11/06/20

*Cover photo may show optional equipment not supplied with standard unit.*



# Table of Contents

---

<b>Section 1: Introduction.....</b>	<b>4</b>
Using This Manual.....	4
Manual Replacement Information.....	4
Manual Revisions.....	4
Touch-up Paint.....	4
Hardware Legend.....	5
Replacement Hardware.....	5
Serial Numbers.....	5
Part Number Service Coding.....	5
<b>Section 2: Frame Hitch and Drive Components.....</b>	<b>6</b>
Hitch.....	6
Mainframe with Roller and Blades.....	8
Motor Mounting Components.....	10
<b>Section 3: Gauge Wheels.....</b>	<b>12</b>
Gauge Wheel Assembly.....	12
Gauge Wheel.....	14
Air (814-071C).....	14
<b>Section 4: Hydraulic Components.....</b>	<b>16</b>
Arrangement for Hydraulic Angling.....	16
Arrangement for Manual Angling.....	18
Control Harness to 12V Battery (323-097A).....	20
Hydraulic CSR10 Valve (850-430C).....	22
Hydraulic Cylinder (810-734C) Monarch.....	24
Hydraulic Motor (826-957C).....	26
<b>Section 5: Decals &amp; Paint.....</b>	<b>28</b>
Decal Placement.....	28
Touch-up Paints - Kubota.....	30
<b>Part Number Index.....</b>	<b>32</b>

© Copyright 2020. All rights reserved.

Kubota provides this publication “as is” without warranty of any kind, either expressed or implied. While every precaution has been taken in the preparation of this manual, Kubota assumes no responsibility for errors or omissions. Neither is any liability assumed for damages resulting from the use of the information contained herein. Kubota reserves the right to revise and improve its products as it sees fit. This publication describes the state of this product at the time of its publication, and may not reflect the product in the future. The illustrations in this manual are not intended for safe and proper assembly or disassembly of equipment. The illustrations are intended for ordering parts only.

Kubota is registered trademark.

All other brands and product names are trademarks or registered trademarks of their respective holders.

*Printed in the United States of America.*



# Alphabetized Table of Contents

---

<b>A</b>	
Arrangement for Hydraulic Angling.....	16
Arrangement for Manual Angling.....	18
<b>C</b>	
Control Harness to 12V Battery (323-097A).....	20
<b>D</b>	
Decal Placement.....	28
<b>G</b>	
Gauge Wheel Assembly.....	12
Gauge Wheel, Air (814-071C).....	14
<b>H</b>	
Hitch.....	6
Hydraulic CSR10 Valve (850-430C).....	22
Hydraulic Cylinder (810-734C) Monarch.....	24
Hydraulic Motor (826-957C).....	26
<b>M</b>	
Mainframe with Roller and Blades.....	8
Motor Mounting Components.....	10
<b>T</b>	
Touch-up Paints - Kubota.....	30

# General Information

## Using This Manual

This manual is divided into sections. The first section contains General Information. The remaining sections divide the machine into segments (i.e. Frames, Drives, Hydraulics, etc.) which illustrate and list all parts. A Parts Number Index is located at the back of the book.

The Kubota parts in this manual are specially designed for this machine and should be replaced with Kubota parts only.

The information in this manual is current at time of printing. Some parts may change to assure top performance.

Right-hand and left-hand as used in this manual are determined by facing the direction the machine will travel while in use.

Below is an example of two facing pages from a parts manual. Familiarize yourself with the type of information contained on these pages.

## Manual Replacement Information

Replacement manuals are available. Refer to our website at [www.landpride.com](http://www.landpride.com) for additional information. Our website continues to provide the most up-to-date manuals available.

## Touch-up Paint

Repaint parts where paint is worn or scratched to prevent rust. Aerosol cans and touch-up bottles with brush applicator are available through your local dealer. Also available are quart and gallon size paints. Add QT or GL to end of the Aerosol P/N.

Kubota color descriptions and part numbers are listed on the "Kubota Touch-up Paints" page in the "Decals" section of this book.



# General Information

## Hardware Legend

AR	As Required
BLADE	Blade Bolt
C	Cap Screw
CP	Cotter Pin
CPHSSS	Cup Point Hex Socket Set Screw
CPSHSS	Cup Point Square Head Set Screw
CPSQHSS	Cup Point Square Head Set Screw
CRFCHMS3	Cross Recess Flat Countersunk Head Machine Screw
CRPHMS	Cross Recess Pan Head Machine Screw
CRPHTFS	Cross Recess Pan Head Thread Forming
CRRHMS	Cross Recess Round Head Machine Screw
CRTHMS	Cross Recess Truss Head Machine Screw
CSNB	Countersunk Square Neck Bolt
FHMS	Flat Head Machine Screw
FTC	Full Thread Cap Screw
H	Hex Nut
HCLN	Hex Center Lock Nut
HFLCS	Hex Flange Lock Cap Screw
HFS	Hex Flange Screw
HFSLN	Hex Flange Serrated Lock Nut
HFSS	Hex Flange Serrated Screw
HHCS	Hex Head Cap Screw or Metric Bolt
HSBHCS	Hex Socket Button Head Cap Screw
HSFCHCS	Hex Socket Flat Countersunk Head Cap Screw
HSHCS	Hex Socket Head Cap Screw
HSSS	Hex Socket Head Screw
HTLN	Hex Top Lock Nut
HWHCS	Hex Washer Head Cap Screw

HWHMS	Hex Washer Head Machine Screw
HXBHCS	Hex Socket Button Head Cap Screw
J	Hex Jam Nut
JIC	37 Degree Tapered Thread
L	Helical Spring Lock Washer
LUG	Lug Bolt
NFC	National Fine Cap Screw
NPSM	National Pipe Straight Mechanical
NPTF	National Pipe Taper Fuel
P	Wide Plain Washer
PHMS	Pan Head Machine Screw
PLOW	Plow Bolt
RHMS	Round Head Machine Screw
RHSNB	Round Head Square Neck Bolt
SCREW LEVELING	Leveling Screw
SCREW THUMB	Thumb Screw
SCREW WELD	Weld Screw
SFCHMS	Slotted Flat Countersunk Head Machine Screw
SFHMS	Slotted Fillister Head Machine Screw
SP	Special
SP SCREW	Special Screw
SQHSS	Square Head Set Screw
SRHMS	Slotted Round Head Machine Screw
SSS	Socket Set Screw
STCS	Self Tapping Cap Screw
STHMS	Slotted Truss Head Machine Screw
WHEEL	Wheel Studs and Hub Long Bolts
WING	Wing Bolt

## Replacement Hardware

The **Hardware Legend** above lists hardware abbreviations used in the parts list. All bolts and nuts are Grade 5 unless otherwise noted. The use of improper grades of hardware can result in personal injury, damage to equipment, or loss of property.

## Part Number Service Coding

Within the parts list some part numbers are coded for revisions and interchangeability. See notations in revision column.

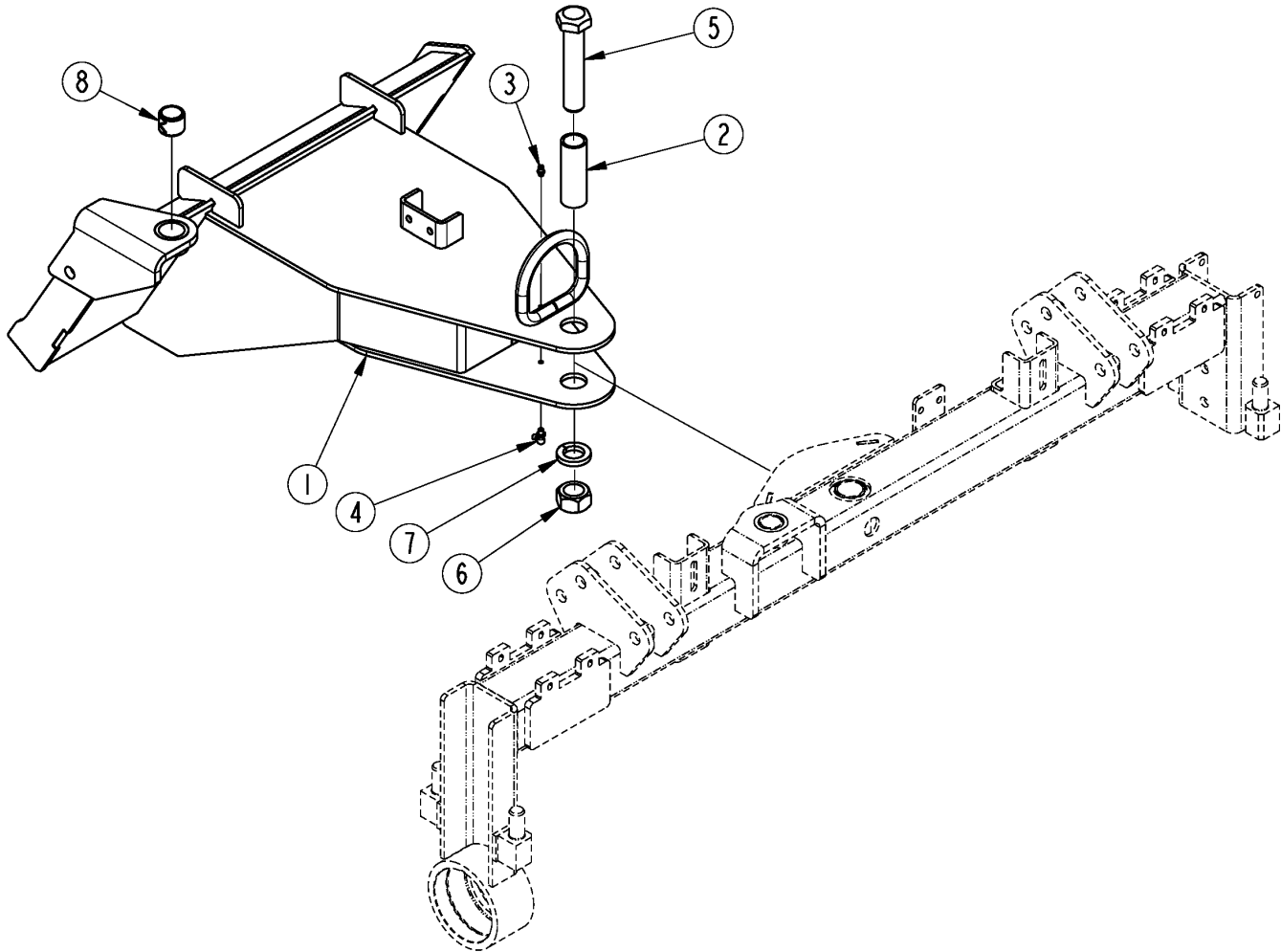
### Serial Numbers

Always use the serial and model number when ordering parts. Refer to the Operator's Manual for serial number plate location.

- (S/N 20001+)                      Includes serial numbers 20001 and above (to the latest number)
- (S/N 10001 to 20000)           Includes serial numbers between and including 10001 and 20000
- (S/N 10000-)                      Includes serial numbers 10000 and below (to the earliest number)

# Hitch

Applies to AP-CSR1048



74789

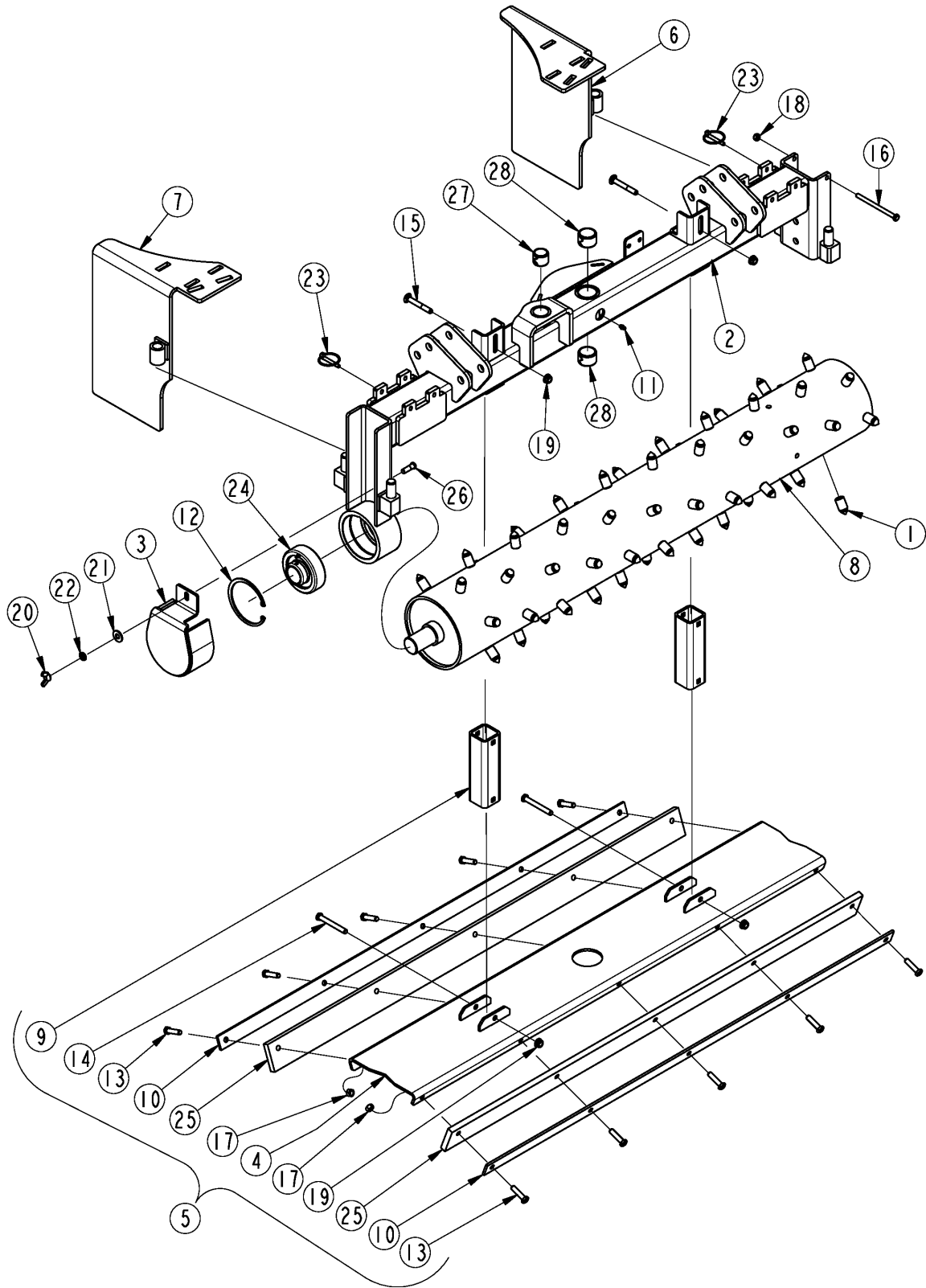
## Hitch

### Applies to AP-CSR1048

Ref	Part No.	Part Description	Comments	Revision
	Dwg 74789	Image No.		
1.	321-147H	POWER RAKE HITCH		
2.	321-200D	1 1/4 PIVOT SPACER		
3.	800-001C	GREASE ZERK STRAIGHT 1/4-28		
4.	800-073C	GREASE ZERK 1/4-28 X 90-DEG		
5.	802-235C	HHCS 1-8X5 GR5		
6.	803-031C	NUT HEX 1-8 PLT		
7.	804-027C	WASHER LOCK SPRING 1 PLT		
8.	890-005C	BUSHING CYL 1 1/4 X 1 X 1		

# Mainframe with Roller and Blades

Applies to AP-CSR1048



74788

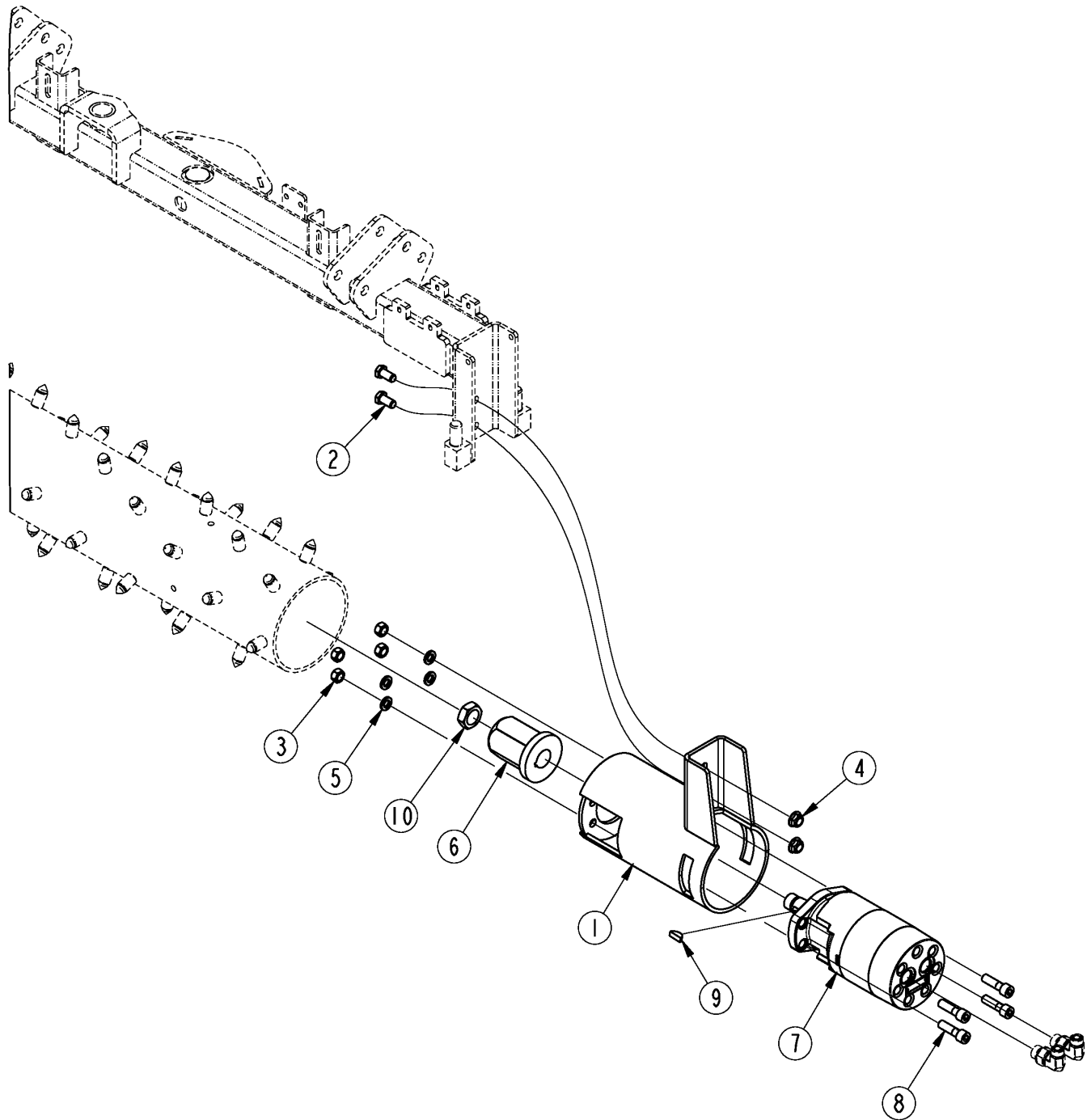


**Mainframe with Roller and Blades****Applies to AP-CSR1048**

<b>Ref</b>	<b>Part No.</b>	<b>Part Description</b>	<b>Comments</b>	<b>Revision</b>
	Dwg 74788	Image No.		
1.	314-321D	3/4X1 1/2 CRBD TIP STUD W/FLX		
2.	321-148H	48" POWER RAKE FRAME		
3.	321-149H	BEARING COVER		
4.	321-152H	DEFLECTOR MOUNT		
5.	321-153S	48" DEFLECTOR ASY		
6.	321-156H	RH WING		
7.	321-157H	LH WING		
8.	321-160H	48" STUD ROLLER		
9.	321-178D	ADJUSTMENT TUBE		
10.	321-195D	MATL CONTROL CLAMP 48		
11.	800-001C	GREASE ZERK STRAIGHT 1/4-28		
12.	800-309C	SNAP RING INT 4.107 OD .120W		
13.	802-022C	HHCS 3/8-16X1 1/2 GR5		
14.	802-024C	HHCS 3/8-16X3 GR5		
15.	802-468C	RHSNB 3/8-16X2 3/4 GR5 PLT		
16.	802-474C	HHCS 5/16-18X4 1/2 GR5		
17.	803-013C	NUT LOCK 3/8-16 PLT		
18.	803-084C	NUT HEX NYLOCK 5/16-18 PLT		
19.	803-198C	NUT HEX WHIZ 3/8-16 PLT		
20.	803-231C	NUT WING 3/8-16 PLT		
21.	804-011C	WASHER FLAT 3/8 USS PLT		
22.	804-013C	WASHER LOCK SPRING 3/8 PLT		
23.	805-126C	PIN LINCH 1/4 X 1 3/4 PLT		
24.	822-182C	BRG INS 1.50IDX3.93OD SPH		
25.	837-361C	MATERIAL CONTROL BLADE, 48"		
26.	842-405C	WHEEL STUD 3/8-16		
27.	890-005C	BUSHING CYL 1 1/4 X 1 X 1		
28.	890-011C	BUSHING SPINDLE 1 1/2X1 1/4X1		

# Motor Mounting Components

Applies to AP-CSR1048



74796

## **Motor Mounting Components**

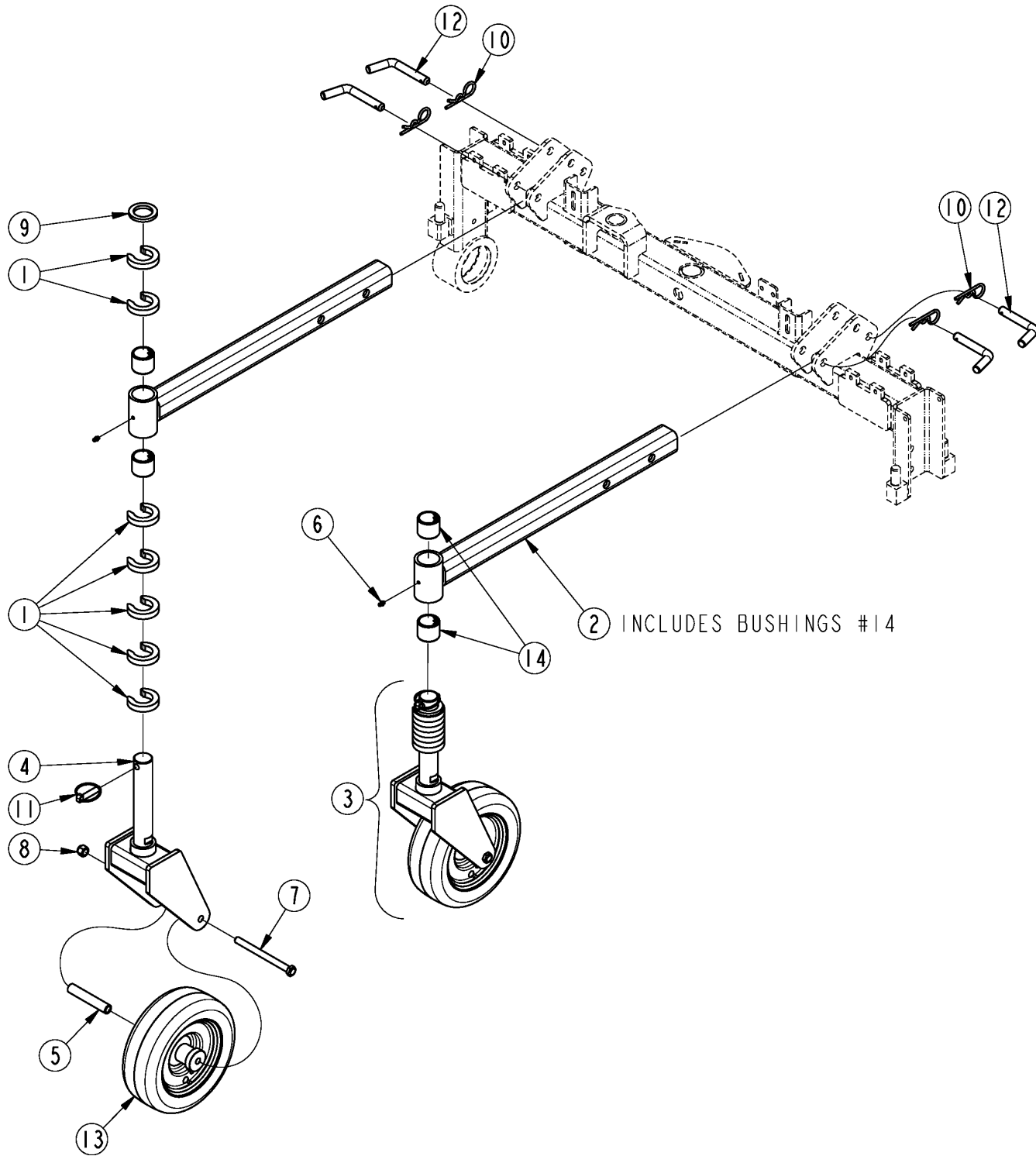
---

### **Applies to AP-CSR1048**

<b>Ref</b>	<b>Part No.</b>	<b>Part Description</b>	<b>Comments</b>	<b>Revision</b>
	Dwg 74796	Image No.		
1.	321-151H	ROLLER MOTOR MOUNT		
2.	802-258C	HHCS 1/2-13X1 GR5		
3.	803-020C	NUT HEX 1/2-13 PLT		
4.	803-169C	NUT HEX FLG LOCK 1/2-13 PLT		
5.	804-015C	WASHER LOCK SPRING 1/2 PLT		
6.	815-312C	HUB, HEX 2 1/2X1 1/4 TPRD BORE		
7.	826-957C	HYD MOTOR, 170CC 1 1/4 TAP SFT		
8.	842-419C	HSHCS 1/2-13X1 3/4 PLT		
9.	038016	WOODDRUFF KEY (5/16X1)		
10.	025126	NUT 1-20 SELF LOCK		

# Gauge Wheel Assembly

Applies to AP-CSR1048



74763

## ***Gauge Wheel Assembly***

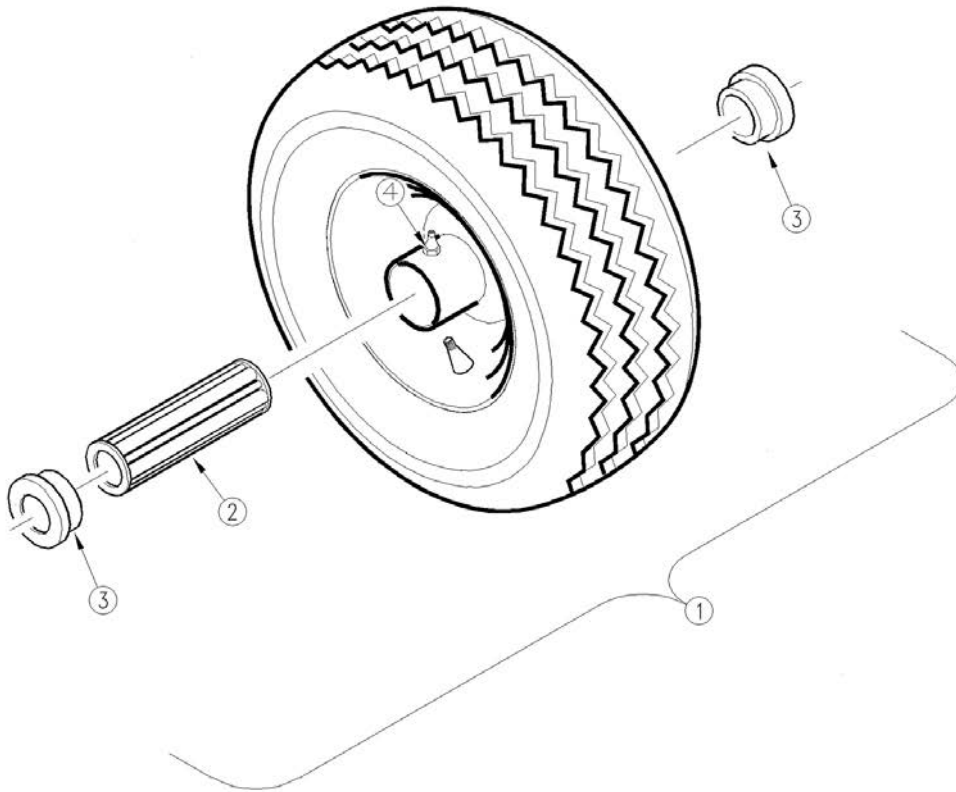
---

### **Applies to AP-CSR1048**

<b>Ref</b>	<b>Part No.</b>	<b>Part Description</b>	<b>Comments</b>	<b>Revision</b>
	Dwg 74764	Image No.		
1.	315-733D	C SPACER COLLAR 1/2X1 17/32 ID		
2.	321-154H	GAUGE WHEEL ARM		
3.	321-155S	SR GAUGE WHEEL AND YOKE ASY		
4.	321-162H	GAUGE WHEEL YOKE		
5.	321-198D	WHEEL SPANNER		
6.	800-001C	GREASE ZERK STRAIGHT 1/4-28		
7.	802-820C	HHCS 1/2-13X6 GR8		
8.	803-147C	NUT HEX NYLOCK 1/2-13		
9.	804-202C	WASHER 2 1/4X1 17/32X1/4		
10.	805-088C	PIN, HAIR COTTER 3/16 WIRE DIA		
11.	805-341C	PIN LINCH 7/16 X 2		
12.	805-502C	PIN BENT 5/8X2 3/4 USBL		
13.	814-071C	TIRE 4.10/3.50-4 TUBELESS AIR		
14.	890-264C	BUSHING 1 3/4 X 1 1/2 X 1 1/		

# Gauge Wheel, Air (814-071C)

Applies to AP-CSR1048



74764

***Gauge Wheel, Air (814-071C)***

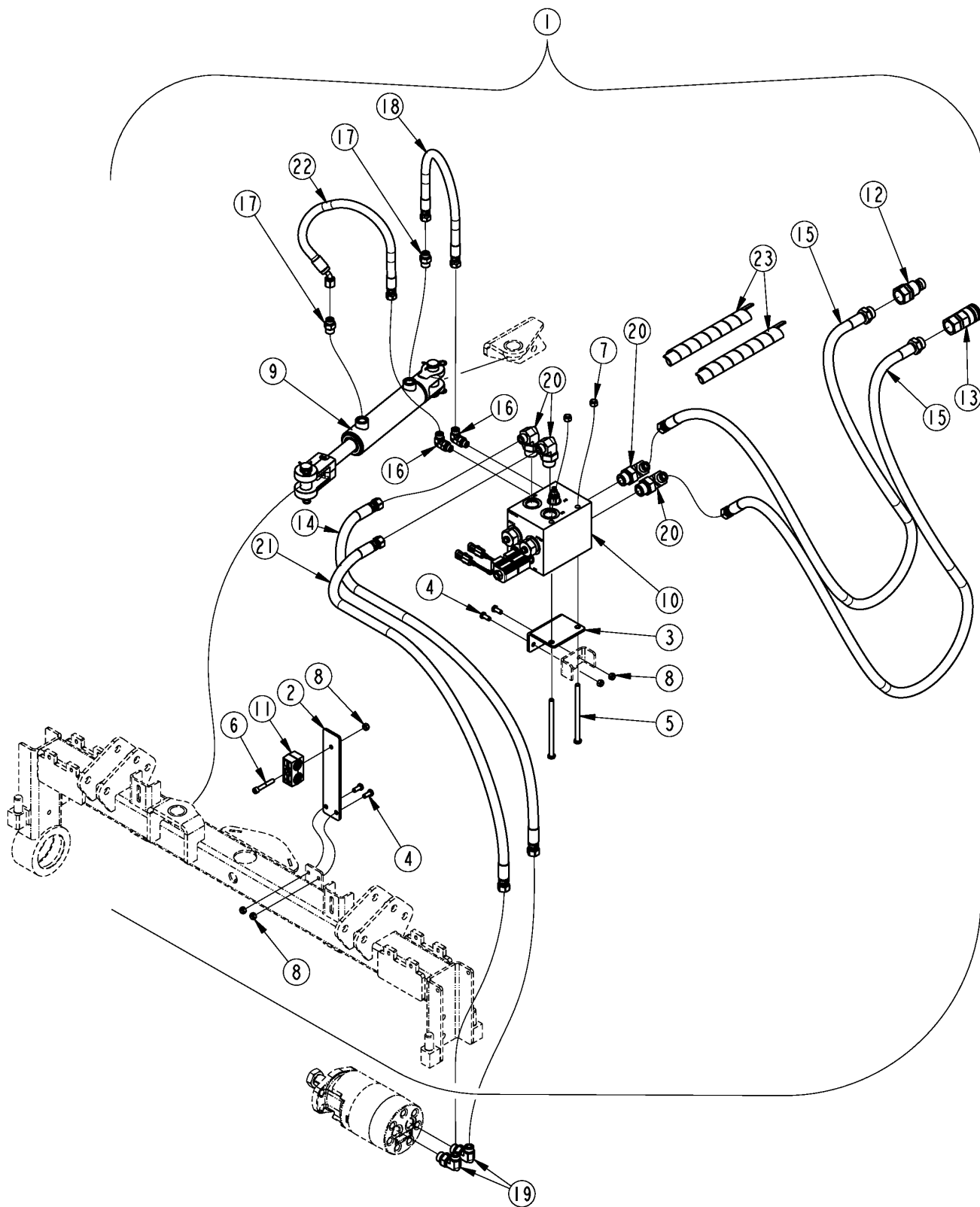
---

**Applies to AP-CSR1048**

<b>Ref</b>	<b>Part No.</b>	<b>Part Description</b>	<b>Comments</b>	<b>Revision</b>
	Dwg 74764	Image No.		
1.	814-071C	TIRE 10 X 4 TUBELESS AIR		
2.	53-182	TILDEN BRG 3/4IDX1 3/8ODX3 1/4		
3.	53-164	TILDEN RTNR 3/4IDX1 3/8ODX1/4L		
4.	800-058C	GREASE ZERK 1/4-28 X 45-DEG		

# Arrangement for Hydraulic Angling

Applies to AP-CSR1048



74790



**Arrangement for Hydraulic Angling**

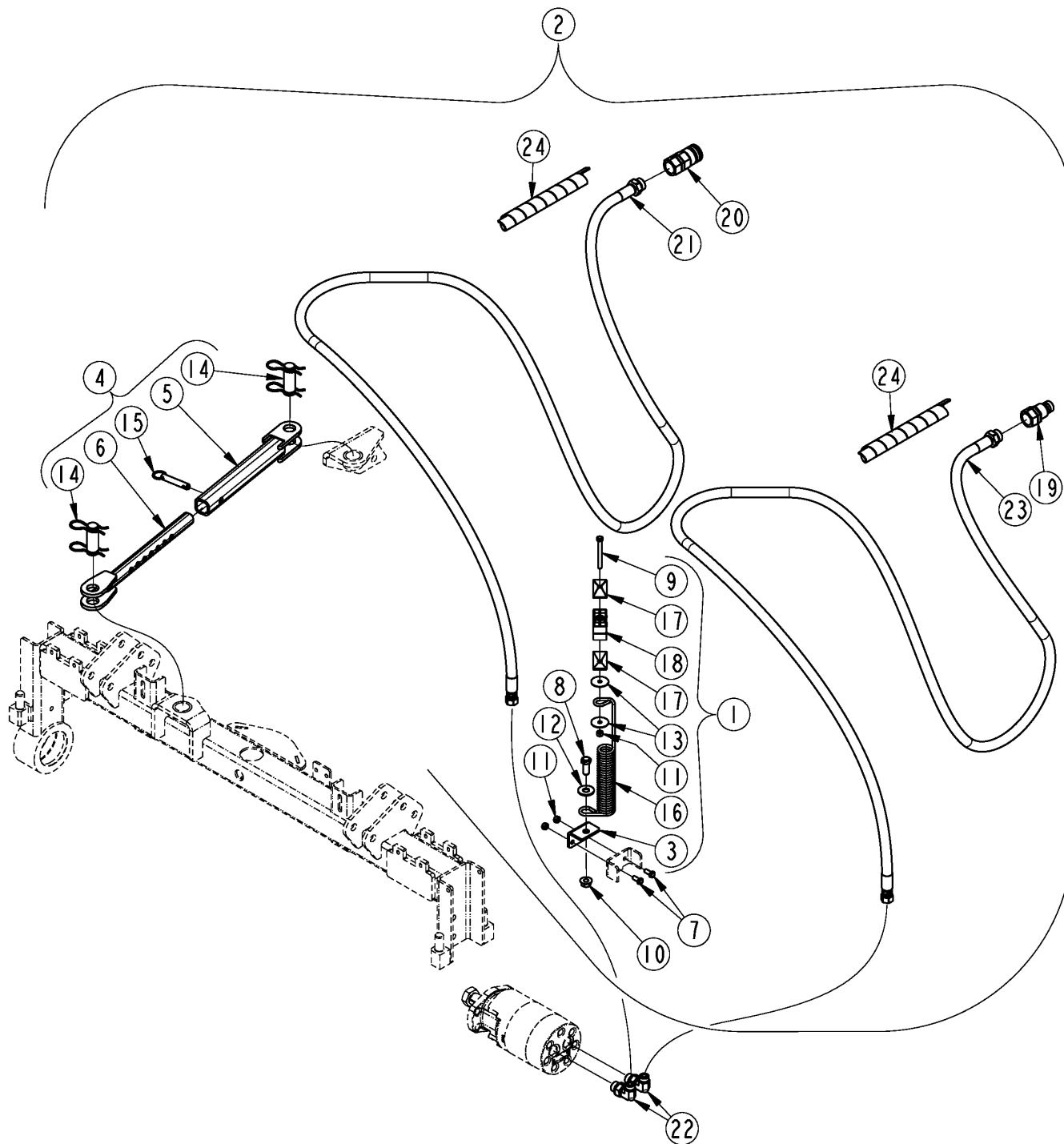
---

**Applies to AP-CSR1048**

<b>Ref</b>	<b>Part No.</b>	<b>Part Description</b>	<b>Comments</b>	<b>Revision</b>
	Dwg 74790	Image No.		
1.	321-164A	HYDRAULIC ANGLE ASY		
2.	321-182D	HOSE HOLDER MOUNT		
3.	321-201D	VALVE MOUNT		
4.	802-007C	HHCS 5/16-18X3/4 GR5		
5.	802-381C	HHCS 3/8-16X6 GR5		
6.	802-509C	HSHCS 5/16-18X2 GR8 BLK		
7.	803-078C	NUT LOCK 3/8-16 NYLON INSERT		
8.	803-084C	NUT HEX NYLOCK 5/16-18 PLT		
9.	810-734C	CYL 2X6X1.125 WELDED		
10.	850-430C	VALVE, CSR10		
11.	851-859C	STAUFF CLAMP BODY 3D 1.0 HOLE		
12.	851-947C	CUP 1 1/16FORB MALE QUICK CPLR		
13.	851-948C	CUP 1 1/16FORB FML QUICK CPLR		
14.	861-558C	HH1/2 51 13/16FORFS		
15.	861-559C	HH1/2 60 1.06MORB 13/16FORFS		
16.	861-574C	EL 9/16MORB 11/16ORFS		
17.	861-577C	AD 3/4MORB 11/16ORFS		
18.	861-735C	HH3/8 020 11/16FORFS		
19.	861-765C	EL 7/8MORB 13/16MORFS		
20.	861-809C	EL 1 1/16MORB 13/16MORFS		
21.	861-810C	HH1/2 48 13/16FORFS		
22.	861-811C	HH3/8 020 11/16FORFS (1)45		
23.	990-228R	SPIRAL HOSE WRAP 1 ID PLASTIC		

# Arrangement for Manual Angling

Applies to AP-CSR1048



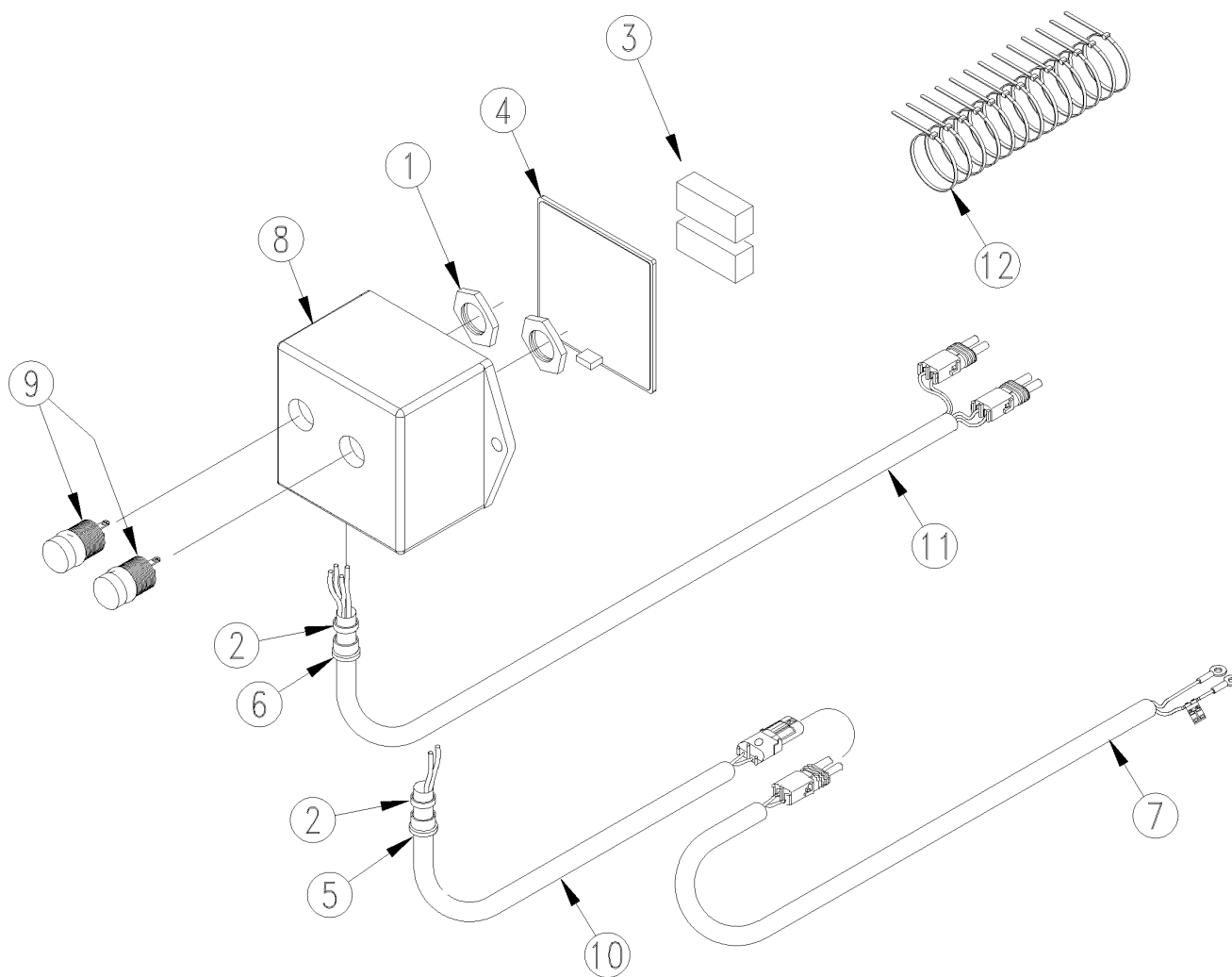
74791

**Arrangement for Manual Angling****Applies to AP-CSR1048**

<b>Ref</b>	<b>Part No.</b>	<b>Part Description</b>	<b>Comments</b>	<b>Revision</b>
	Dwg 74791	Image No.		
1.	301-682S	SPRING MOUNTED HOSE CLAMP ASY		
2.	321-158A	7 POSITION MANUAL ANGLE ASY		
3.	321-205D	BRKT, SPRING CLAMP		
4.	323-102K	BROOM TELESCOPING ANGLE ADJ		
5.	323-103H	ANGLE ADJUSTER BASE END		
6.	323-104H	ANGLE ADJUSTER ROD END		
7.	802-007C	HHCS 5/16-18X3/4 GR5		
8.	802-034C	HHCS 1/2-13X1 1/4 GR5		
9.	802-131C	HHCS 5/16-18X3 GR5		
10.	803-037C	NUT HEX WHIZ 1/2-13 PLT GR5		
11.	803-084C	NUT HEX NYLOCK 5/16-18 PLT		
12.	804-017C	WASHER FLAT 1/2 USS PLT		
13.	804-168C	WASHER FENDER 5/16 X 1 1/2		
14.	805-012C	PIN CLVS HDLS 1.0X2.13 USBL		
15.	805-380C	PIN HTCH DTNT .50X2.0 USBL		
16.	807-385C	SPRING HOSE CLAMP MOUNT		
17.	851-245C	STAUFF COVER PLATE GROUP 3D		
18.	851-859C	STAUFF CLAMP BODY 3D 1.0 HOLE		
19.	851-947C	CUP 1 1/16FORB MALE QUICK CPLR		
20.	851-948C	CUP 1 1/16FORB FML QUICK CPLR		
21.	861-535C	HH1/2R2 121 1.06MORB13/16FORFS		
22.	861-765C	EL 7/8MORB 13/16MORFS		
23.	861-806C	HH1/2R2 117 1.06MORB13/16FORFS		
24.	990-228R	SPIRAL HOSE WRAP 1 ID PLASTIC		

# Control Harness to 12V Battery (323-097A)

Applies to AP-CSR1048



18537

**Control Harness to 12V Battery (323-097A)**

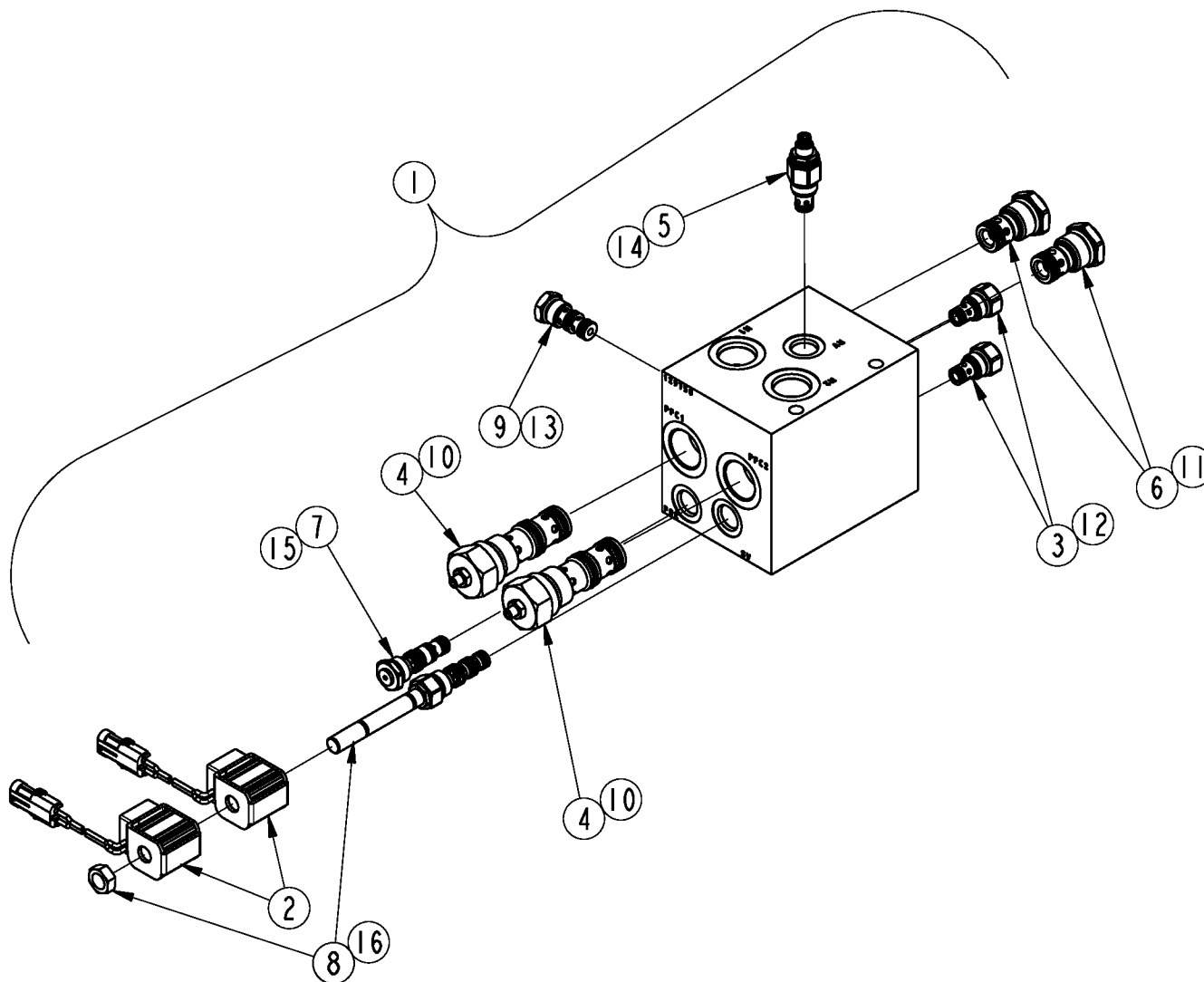
---

**Applies to AP-CSR1048**

<b>Ref</b>	<b>Part No.</b>	<b>Part Description</b>	<b>Comments</b>	<b>Revision</b>
	dwg18537	Drawing Image Number		
	323-097A	SWITCH & WIRE HARNESS *		
1.	213-425	FASSE NUT JAM 15/32" BLK		
2.	800-303C	CABLE TIE 2 DIA MIN - BLK		
3.	219-082	FASSE MAG CERAMIC 1"X2"X.5"		
4.	251-031	FASSE ENCLOSED COVER 2X2		
5.	259-001	FASSE GROMMET .5000D SNAP		
6.	259-002	FASSE GROMMET .625OD SNAP		
7.	310-022	FASSE HRNSS 2 CON 15GA 2WPT /9		
8.	319-817	FASSE ENCL DRL 251030 4X1/2		
9.	319-895	FASSE SW ASSY PB MOM O R SW		
10.	320-046	FASSE HRNES 200N 16GA 2YPT/1.5		
11.	320-048	FASSE HRN 400N 16G 2X2 WPT/9.5		
12.	800-060C	CABLE TIE .19X14.25 3DIA 50LB		

# Hydraulic CSR10 Valve (850-430C)

Applies to AP-CSR1048



74794

**Hydraulic CSR10 Valve (850-430C)**

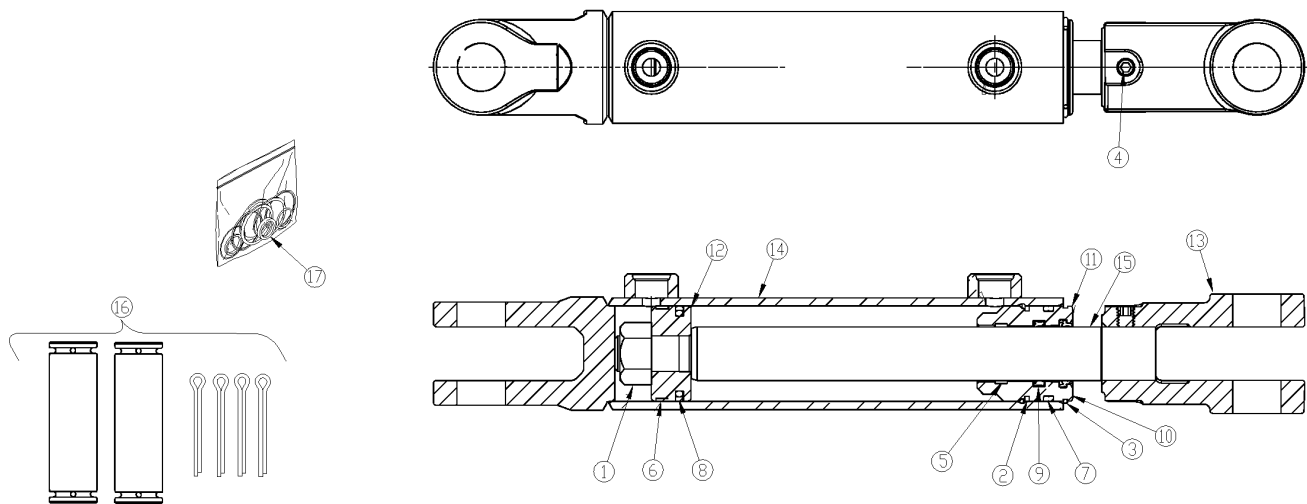
---

**Applies to AP-CSR1048**

<b>Ref</b>	<b>Part No.</b>	<b>Part Description</b>	<b>Comments</b>	<b>Revision</b>
	Dwg 74794	Image No.		
1.	850-430C	VALVE, CSR10 *	Complete assembly	
2.	CCP012PM	COL19W 12 VDC PACKARD MALE		
3.	CVH081P30N	CHECK VALVE ASSY 08		
4.	J1A125ZN	STERLING FLOW REG. VALVE		
5.	RDH082S30	RELIEF VALVE C10D RECT ACTING		
6.	CVH121P	CHECK VALVE CVH121P		
7.	CPD084P	DUAL P.O. CHECK VALVE		
8.	GS025900N	83P4W FLOATING CENTER VALVE		
9.	K02A3NHCS	CART C/V (BALL TYPE 6000PSI)		
10.	SK30011N-1	SEAL KIT J1A125ZN		
11.	SK12-2	SEAL KIT CVH121P		
12.	SK08-2N	SEAL KIT CVH081P30N		
13.	SK30521N-1	SEAL KIT K02A3NHCS		
14.	SK08-2	SEAL KIT RDH082S30		
15.	SK08-4N	SEAL KIT CPD084P		
16.	SK30078N-1	SEAL KIT GS025900N		

# Hydraulic Cylinder (810-734C) Monarch

Applies to AP-CSR1048



33401

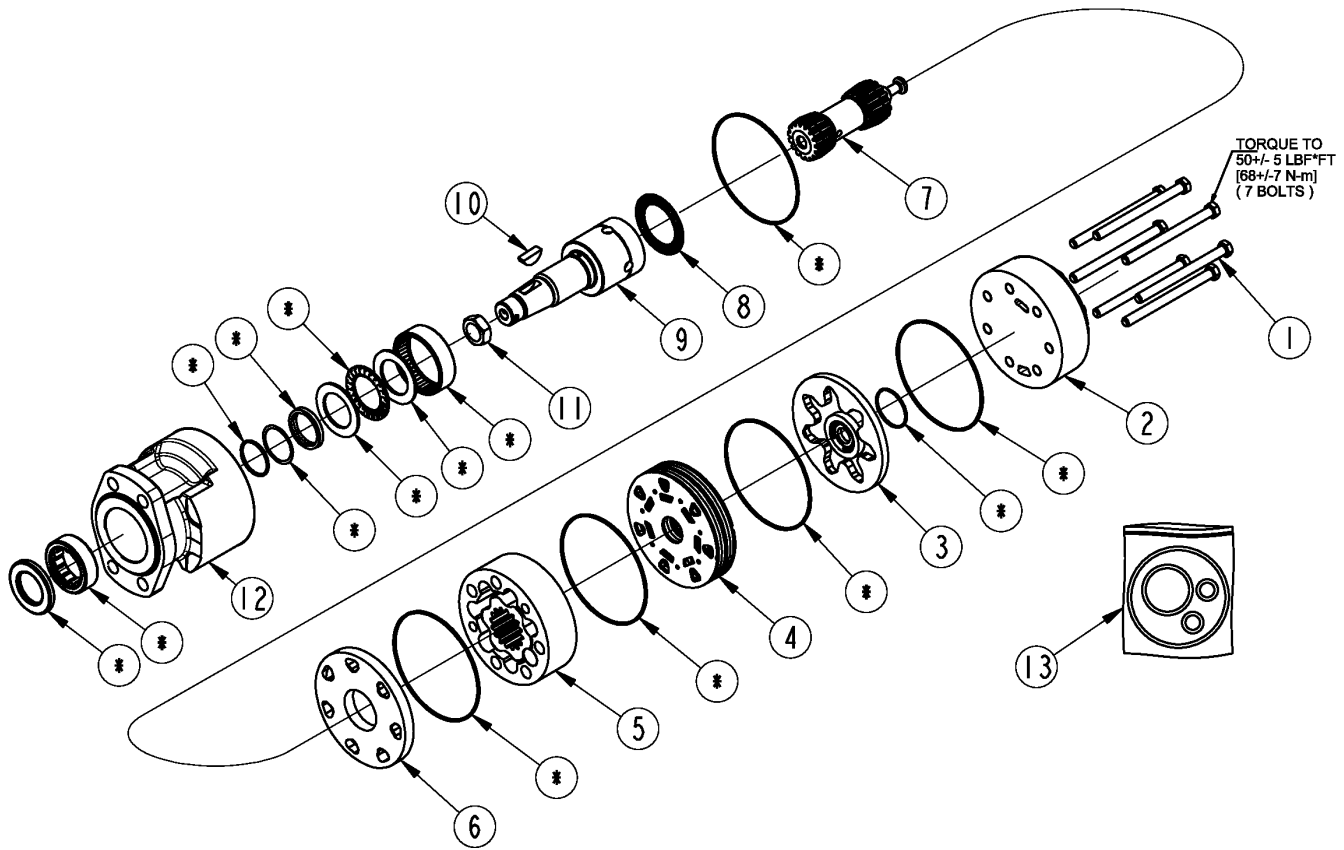


**Hydraulic Cylinder (810-734C) Monarch****Applies to AP-CSR1048**

Ref	Part No.	Part Description	Comments	Revision
	Dwg 33401 810-734C	Drawing Image Number CYL 2X6X1.125 WELDED *		
1.	130556	MON PISTON NUT		
2.	138006	MON RETAINING RING INT 2.00		
3.	138007	MON RETAINING RING EXT 2.00		
4.	148000	MON SET SCREW 3/8INC ONE PIECE		
5.	N/A	MON WEAR RING 1.25-1.13-0.250		
6.	N/A	MON WEAR RING 2.00-1.88-0.260		
7.	N/A	MON SEAL ZURCON U-CUP RU9 1.13		
8.	N/A	MON SEAL ZURCON WYNSEAL 2.00		
9.	N/A	MON SEAL DUAL 2.00-.208		
10.	N/A	MON SEAL WIPER 1.13 WNUC TSS		
11.	258753	MON CYL HEAD 2.00-1.13-WET-TSS		
12.	258851	MON PISTON 2.00-.75-TSS-ISO-WR		
13.	492650	LION ROD CLEVIS 1 1/8-12UNF		
14.	741798	MON TUBE WELDT 2.00-06.00-W		
15.	741800	MON ROD CYL 1.12-06-0.75-1.12		
16.	235005	MON PIN KIT 1.00C/W COTTER PIN		
17.	649190	RPBY 850-310C	Obsolete	
17.	850-310C	MON SEAL KIT 649190		

# Hydraulic Motor (826-957C)

Applies to AP-CSR1048



74800

**Hydraulic Motor (826-957C)**

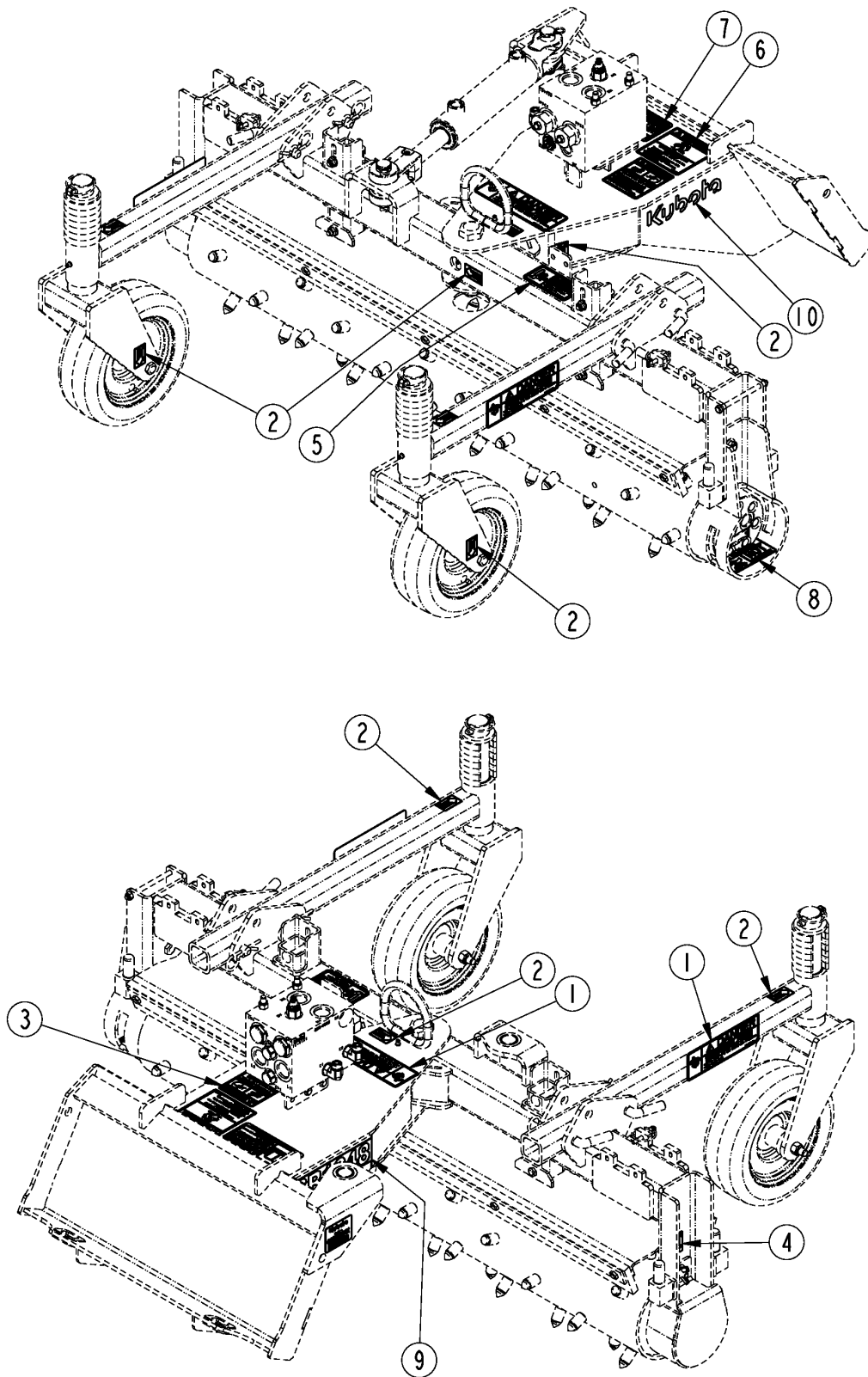
---

**Applies to AP-CSR1048**

<b>Ref</b>	<b>Part No.</b>	<b>Part Description</b>	<b>Comments</b>	<b>Revision</b>
	Dwg 74800	Image No.		
	826-957C	HYD MOTOR, 170CC 1 1/4 TAP SFT *	Complete Assembly	
1.	021387	SPECIAL BOLT		
2.	ME016009	END COVER		
3.	ME018001A1P	COMMUTATOR ASSEMBLY		
4.	ME015000	MANIFOLD (CW)		
5.	ME107003	ROTOR ASSEMBLY		
6.	477342	WEAR PLATE		
7.	ME103000	DRIVE LINK		
8.	068024	THRUST BEARING		
9.	ME019000	COUPLING SHAFT		
10.	038016	WOODRUFF KEY (5/16 X 1)		
11.	025126	NUT 1-20 SELF LOCK		
12.	ME012043A3P	HOUSING ASSEMBLY		
13.	SK_____	TG SEALKIT		

# Decal Placement

Applies to AP-CSR1048



74804

## ***Decal Placement***

---

### **Applies to AP-CSR1048**

<b>Ref</b>	<b>Part No.</b>	<b>Part Description</b>	<b>Comments</b>	<b>Revision</b>
	Dwg 74804	Image No.		
1.	818-254C	DECAL DANGER ENTANGLEMENT HAZ		
2.	818-298C	DECAL GREASE 25HRS BLACK/WHITE		
3.	818-339C	DECAL WARNING HIGH PRESSUR SML		
4.	818-349C	DECAL GREASE 10 HRS LH		
5.	818-798C	DECAL WARNING PINCH POINT GEN		
6.	838-107C	DECAL WARNING THROWN OBJECT		
7.	838-293C	DECAL WARNING READ MANUAL		
8.	844-001C	DECAL DANGER HOT		
9.	844-118C	DECAL, CSR1048		
10.	844-216C	DECAL, 7" KUBOTA BLOCK		

***Touch-up Paints - Kubota***

---

Applies to AP-CSR1048

**No diagram associated with this Parts List**

***Touch-up Paints - Kubota***

---

**Applies to AP-CSR1048**

<b>Ref</b>	<b>Part No.</b>	<b>Part Description</b>	<b>Comments</b>	<b>Revision</b>
1.	821-070C	GLOSS BLACK SPRAY CAN	Spray can	
2.	821-070CTU	GLOSS BLACK TOUCH-UP 5OZ	Touch-up bottle with brush	
3.	821-070CQT	GLOSS BLACK QUART	Quart can	
4.	821-070CGL	GLOSS BLACK GALLON	Gallon Can	
5.	821-006C	ORANGE SPRAY CAN	Spray can	
6.	821-066CTU	ORANGE TOUCH-UP 5OZ	Touch-up bottle with brush	
7.	821-066CQT	ORANGE QUART	Quart can	
8.	821-066CGL	ORANGE GALLON	Gallon Can	
9.	821-085C	PAINT KBT DARK GRAY SPRAY CAN	Spray can	
10.	821-085CTU	PAINT KBT DARK GRAY TCH-UP 4OZ	Touch-up bottle with brush	



# Part Number Index

The Part Number Index is a numeric index of all part numbers included in this manual. The index shows what page(s) the part is used on.

<u>Part Number</u>	<u>Page</u>	<u>Part Number</u>	<u>Page</u>	<u>Part Number</u>	<u>Page</u>
021387	27	802-468C	9	861-809C	17
025126	11, 27	802-474C	9	861-810C	17
038016	11, 27	802-509C	17	861-811C	17
068024	27	802-820C	13	890-005C	7, 9
130556	25	803-013C	9	890-011C	9
138006	25	803-020C	11	890-264C	13
138007	25	803-031C	7	990-228R	17, 19
148000	25	803-037C	19	CCP012PM	23
213-425	21	803-078C	17	CPD084P	23
219-082	21	803-084C	9, 17, 19	CVH081P30N	23
235005	25	803-147C	13	CVH121P	23
251-031	21	803-169C	11	Dwg 33401	25
258753	25	803-198C	9	Dwg 74764	13, 15
258851	25	803-231C	9	Dwg 74788	9
259-001	21	804-011C	9	Dwg 74789	7
259-002	21	804-013C	9	Dwg 74790	17
301-682S	19	804-015C	11	Dwg 74791	19
310-022	21	804-017C	19	Dwg 74794	23
314-321D	9	804-027C	7	Dwg 74796	11
315-733D	13	804-168C	19	Dwg 74800	27
319-817	21	804-202C	13	Dwg 74804	29
319-895	21	805-012C	19	dwg18537	21
320-046	21	805-088C	13	GS025900N	23
320-048	21	805-126C	9	J1A125ZN	23
321-147H	7	805-341C	13	K02A3NHCS	23
321-148H	9	805-380C	19	ME012043A3P	27
321-149H	9	805-502C	13	ME015000	27
321-151H	11	807-385C	19	ME016009	27
321-152H	9	810-734C	17, 25	ME018001A1P	27
321-153S	9	814-071C	13, 15	ME019000	27
321-154H	13	815-312C	11	ME103000	27
321-155S	13	818-254C	29	ME107003	27
321-156H	9	818-298C	29	N/A	25
321-157H	9	818-339C	29	RDH082S30	23
321-158A	19	818-349C	29	SK08-2	23
321-160H	9	818-798C	29	SK08-2N	23
321-162H	13	821-006C	31	SK08-4N	23
321-164A	17	821-066CGL	31	SK12-2	23
321-178D	9	821-066CQT	31	SK30011N-1	23
321-182D	17	821-066CTU	31	SK30078N-1	23
321-195D	9	821-070C	31	SK30521N-1	23
321-198D	13	821-070CGL	31	SK_____	27
321-200D	7	821-070CQT	31		
321-201D	17	821-070CTU	31		
321-205D	19	821-085C	31		
323-097A	21	821-085CTU	31		
323-102K	19	822-182C	9		
323-103H	19	826-957C	11, 27		
323-104H	19	837-361C	9		
477342	27	838-107C	29		
492650	25	838-293C	29		
53-164	15	842-405C	9		
53-182	15	842-419C	11		
649190	25	844-001C	29		
741798	25	844-118C	29		
741800	25	844-216C	29		
800-001C	7, 9, 13	850-310C	25		
800-058C	15	850-430C	17, 23		
800-060C	21	851-245C	19		
800-073C	7	851-859C	17, 19		
800-303C	21	851-947C	17, 19		
800-309C	9	851-948C	17, 19		
802-007C	17, 19	861-535C	19		
802-022C	9	861-558C	17		
802-024C	9	861-559C	17		
802-034C	19	861-574C	17		
802-131C	19	861-577C	17		
802-235C	7	861-735C	17		
802-258C	11	861-765C	17, 19		
802-381C	17	861-806C	19		



***This Page Intentionally Left Blank***



**KUBOTA TRACTOR CORPORATION**

1000 Kubota Drive, Grapevine, TX 76051

Telephone: (817) 756-1171

Western Division: 1175 S. Guild Ave., Lodi, CA 95240  
Telephone: (209) 334-9910

Central Division: 14855 FAA Blvd., Fort Worth, TX 76155  
Telephone: (817) 571-0900

Northern Division: 6300 at One Kubota Way, Groveport, OH 43125  
Telephone: (614) 835-1100

Southeast Division: 1025 Northbrook Parkway, Suwanee, GA 30024  
Telephone: (770) 995-8855

[www.kubota.com](http://www.kubota.com)

---