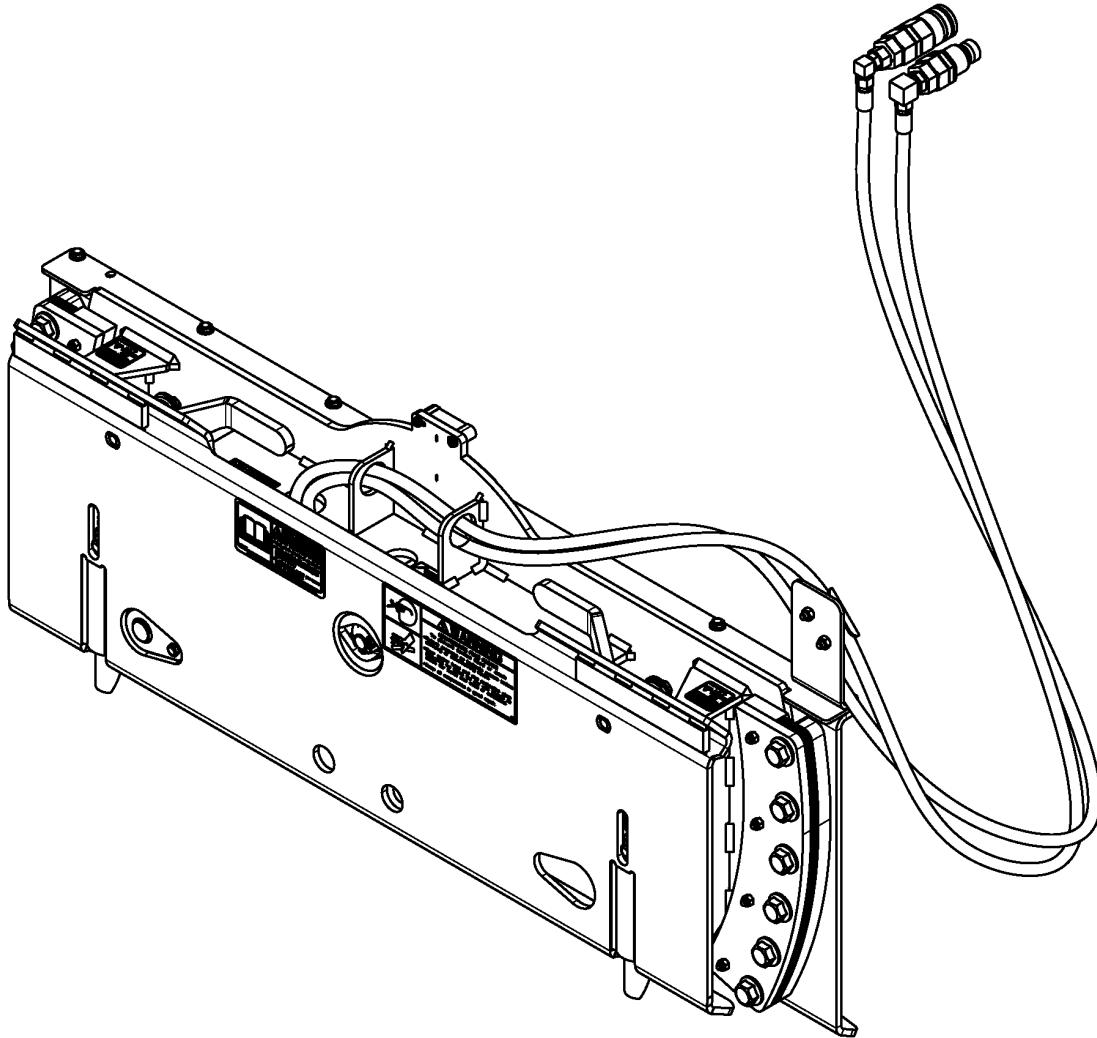


Tilt Hitch

AP-TH35



70731

320-084PK **Parts Manual**

Kubota®



Read the Operator's Manual entirely. When you see this symbol, the subsequent instructions and warnings are serious - follow without exception. Your life and the lives of others depend on it!

© Copyright 2020 Printed 09/22/20

Cover photo may show optional equipment not supplied with standard unit.



Table of Contents

Section 1: Introduction.....	4
Using This Manual.....	4
Manual Replacement Information.....	4
Manual Revisions.....	4
Touch-up Paint.....	4
Hardware Legend.....	5
Replacement Hardware.....	5
Serial Numbers.....	5
Part Number Service Coding.....	5
Section 2: Main Assembly.....	6
Hitch Plate Assembly.....	6
Hitch Slide Pin Assembly.....	8
Hydraulics.....	10
Section 3: Decals.....	12
Decal Placement.....	12
Touch-up Paints - Kubota.....	14
Part Number Index.....	16

© Copyright 2020. All rights reserved.

Kubota provides this publication “as is” without warranty of any kind, either expressed or implied. While every precaution has been taken in the preparation of this manual, Kubota assumes no responsibility for errors or omissions. Neither is any liability assumed for damages resulting from the use of the information contained herein. Kubota reserves the right to revise and improve its products as it sees fit. This publication describes the state of this product at the time of its publication, and may not reflect the product in the future. The illustrations in this manual are not intended for safe and proper assembly or disassembly of equipment. The illustrations are intended for ordering parts only.

Kubota is registered trademark.

All other brands and product names are trademarks or registered trademarks of their respective holders.

Printed in the United States of America.



Alphabetized Table of Contents

D	
Decal Placement.....	12
H	
Hitch Plate Assembly.....	6
Hitch Slide Pin Assembly.....	8
Hydraulics.....	10
T	
Touch-up Paints - Kubota.....	14

General Information

Using This Manual

This manual is divided into sections. The first section contains General Information. The remaining sections divide the machine into segments (i.e. Frames, Drives, Hydraulics, etc.) which illustrate and list all parts. A Parts Number Index is located at the back of the book.

The Kubota parts in this manual are specially designed for this machine and should be replaced with Kubota parts only.

The information in this manual is current at time of printing. Some parts may change to assure top performance.

Right-hand and left-hand as used in this manual are determined by facing the direction the machine will travel while in use.

Below is an example of two facing pages from a parts manual. Familiarize yourself with the type of information contained on these pages.

Manual Replacement Information

Replacement manuals are available. Refer to our website at www.landpride.com for additional information. Our website continues to provide the most up-to-date manuals available.

Touch-up Paint

Repaint parts where paint is worn or scratched to prevent rust. Aerosol cans and touch-up bottles with brush applicator are available through your local dealer. Also available are quart and gallon size paints. Add QT or GL to end of the Aerosol P/N.

Kubota color descriptions and part numbers are listed on the "Kubota Touch-up Paints" page in the "Decals" section of this book.



General Information

Hardware Legend

AR	As Required
BLADE	Blade Bolt
C	Cap Screw
CP	Cotter Pin
CPHSSS	Cup Point Hex Socket Set Screw
CPSHSS	Cup Point Square Head Set Screw
CPSQHSS	Cup Point Square Head Set Screw
CRFCHMS3	Cross Recess Flat Countersunk Head Machine Screw
CRPHMS	Cross Recess Pan Head Machine Screw
CRPHTFS	Cross Recess Pan Head Thread Forming
CRRHMS	Cross Recess Round Head Machine Screw
CRTHMS	Cross Recess Truss Head Machine Screw
CSNB	Countersunk Square Neck Bolt
FHMS	Flat Head Machine Screw
FTC	Full Thread Cap Screw
H	Hex Nut
HCLN	Hex Center Lock Nut
HFLCS	Hex Flange Lock Cap Screw
HFS	Hex Flange Screw
HFSLN	Hex Flange Serrated Lock Nut
HFSS	Hex Flange Serrated Screw
HHCS	Hex Head Cap Screw or Metric Bolt
HSBHCS	Hex Socket Button Head Cap Screw
HSFCHCS	Hex Socket Flat Countersunk Head Cap Screw
HSHCS	Hex Socket Head Cap Screw
HSSS	Hex Socket Head Screw
HTLN	Hex Top Lock Nut
HWHCS	Hex Washer Head Cap Screw

HWHMS	Hex Washer Head Machine Screw
HXBHCS	Hex Socket Button Head Cap Screw
J	Hex Jam Nut
JIC	37 Degree Tapered Thread
L	Helical Spring Lock Washer
LUG	Lug Bolt
NFC	National Fine Cap Screw
NPSM	National Pipe Straight Mechanical
NPTF	National Pipe Taper Fuel
P	Wide Plain Washer
PHMS	Pan Head Machine Screw
PLOW	Plow Bolt
RHMS	Round Head Machine Screw
RHSNB	Round Head Square Neck Bolt
SCREW LEVELING	Leveling Screw
SCREW THUMB	Thumb Screw
SCREW WELD	Weld Screw
SFCHMS	Slotted Flat Countersunk Head Machine Screw
SFHMS	Slotted Fillister Head Machine Screw
SP	Special
SP SCREW	Special Screw
SQHSS	Square Head Set Screw
SRHMS	Slotted Round Head Machine Screw
SSS	Socket Set Screw
STCS	Self Tapping Cap Screw
STHMS	Slotted Truss Head Machine Screw
WHEEL	Wheel Studs and Hub Long Bolts
WING	Wing Bolt

Replacement Hardware

The **Hardware Legend** above lists hardware abbreviations used in the parts list. All bolts and nuts are Grade 5 unless otherwise noted. The use of improper grades of hardware can result in personal injury, damage to equipment, or loss of property.

Part Number Service Coding

Within the parts list some part numbers are coded for revisions and interchangeability. See notations in revision column.

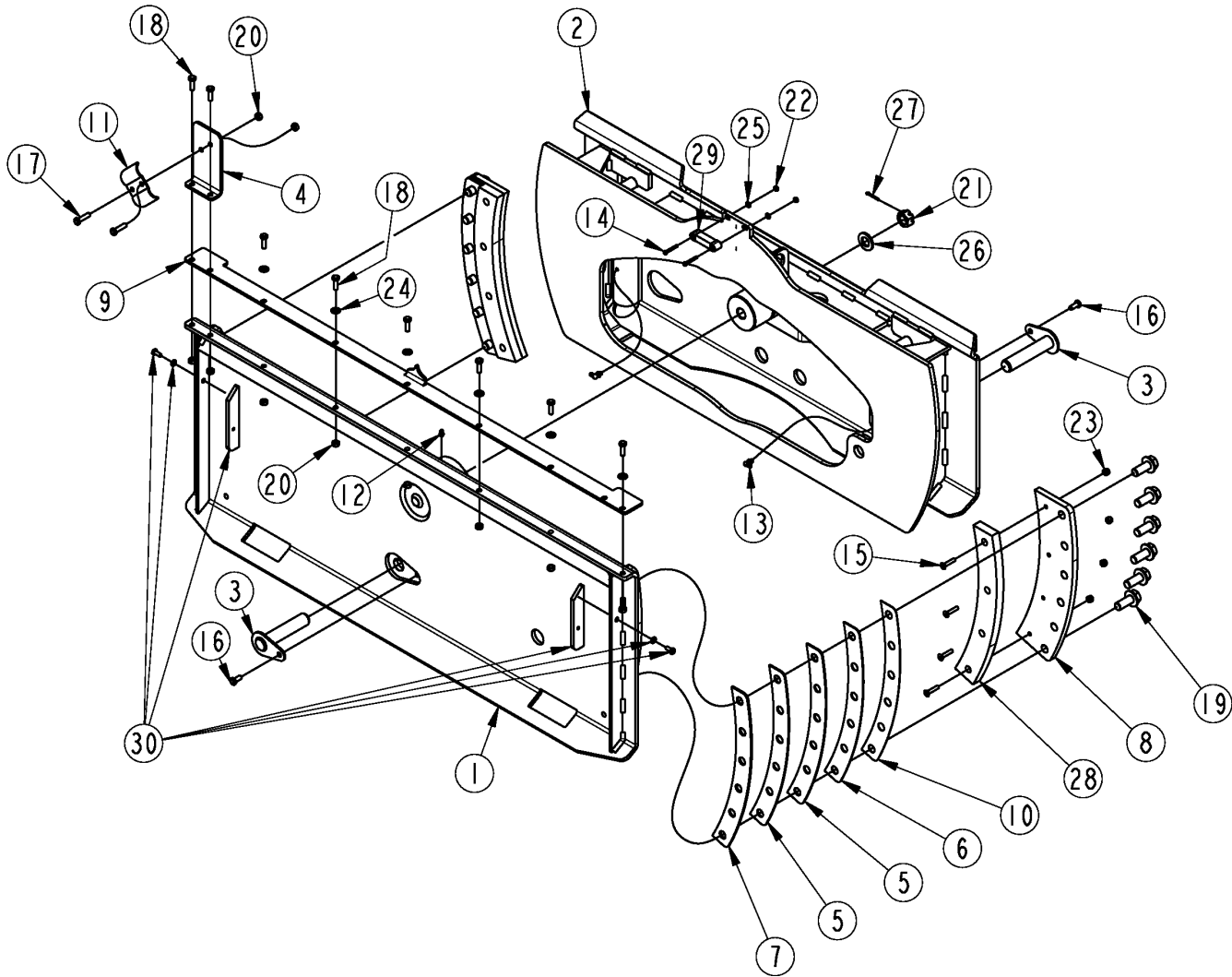
Serial Numbers

Always use the serial and model number when ordering parts. Refer to the Operator's Manual for serial number plate location.

- (S/N 20001+) Includes serial numbers 20001 and above (to the latest number)
- (S/N 10001 to 20000) Includes serial numbers between and including 10001 and 20000
- (S/N 10000-) Includes serial numbers 10000 and below (to the earliest number)

Hitch Plate Assembly

Applies to AP-TH35



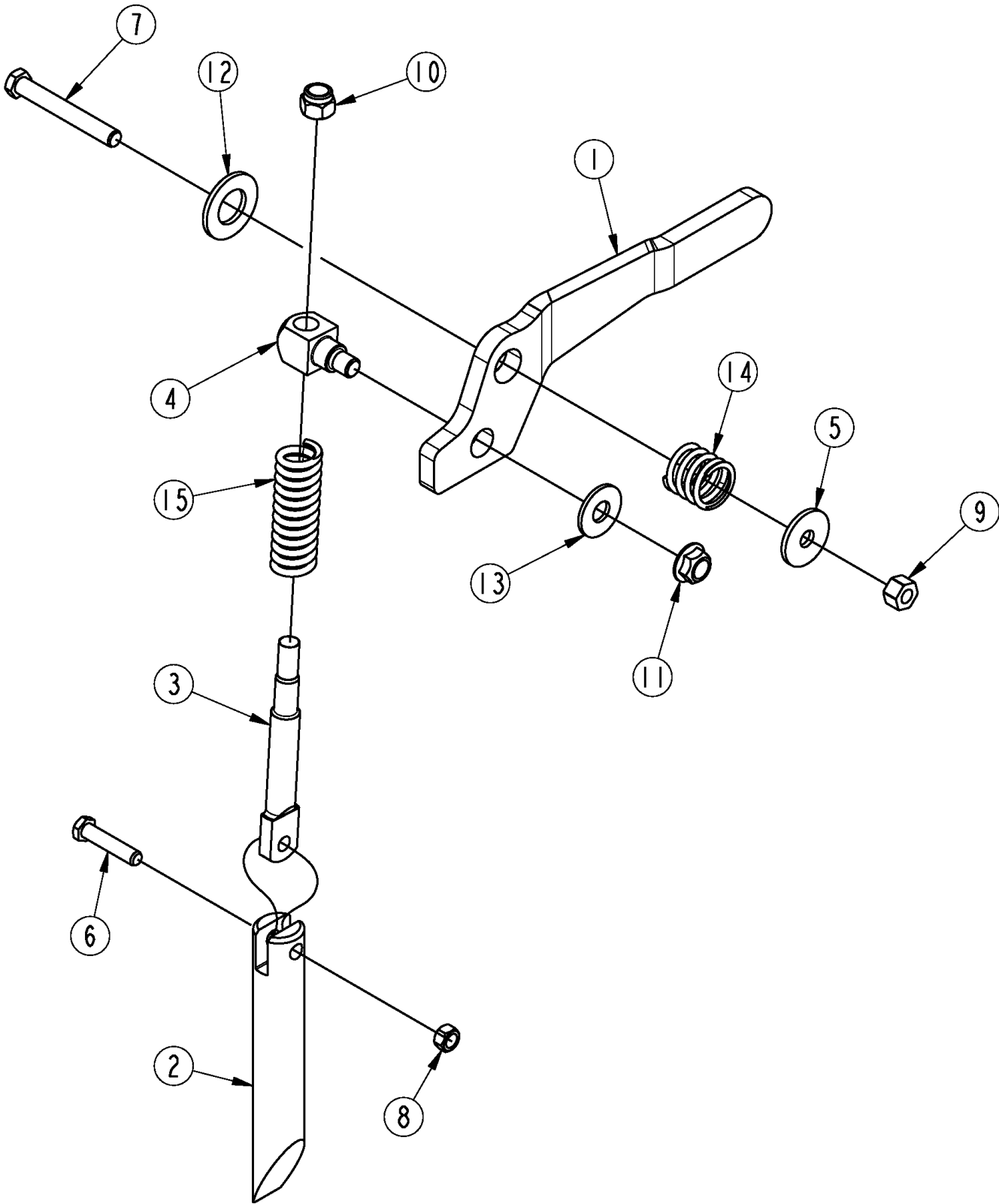
70732

Hitch Plate Assembly**Applies to AP-TH35**

Ref	Part No.	Part Description	Comments	Revision
	Dwg 70732	Image No.		
1.	320-085H	REAR HITCH WLDMT		
2.	320-086H	FRONT PLATE	Redesigned at S/N 1066510K+	
3.	320-088H	PIN, CYL SHIELD PIVOT		
4.	320-239D	BRACKET HYDRAULIC HOLDOWN		
5.	320-256D	SHIM .10 THK		
6.	320-257D	SHIM .07 THK		
7.	320-258D	SHIM .134 THK		
8.	320-259D	CLAMP 1/2		
9.	320-260D	WIPER MOUNT		
10.	320-265D	SHIM .04 THK		
11.	502-068D	HYD HOSE CLAMP BRACKET		
12.	800-001C	GREASE ZERK STRAIGHT 1/4-28		
13.	800-073C	GREASE ZERK 1/4-28 X 90-DEG		
14.	801-274C	SCREW RD HD 8-32 X 1 1/4LG PLT		
15.	801-276C	HSFCHCS 1/4-20X1 1/4 PLT		
16.	802-007C	HHCS 5/16-18X3/4 GR5		
17.	802-010C	HHCS 5/16-18X1 1/4 GR5		
18.	802-159C	HHCS 5/16-18X1 GR5		
19.	802-407C	HFS 5/8-18X1 1/2 GR8 ZINC & Y		
20.	803-011C	NUT LOCK 5/16-18 PLT		
21.	803-053C	NUT HEX SLOTTED 3/4-16		
22.	803-064C	NUT HEX 8-32		
23.	803-255C	NUT HEX NYLOCK 1/4-20	S/N 1043921K+	
23.	803-007C	NUT LOCK 1/4-20 PLT	S/N 1043920K-	
24.	804-036C	WASHER FLAT 5/16 SAE PLT		
25.	804-088C	WASHER FLAT #8 SAE PLT		
26.	804-093C	WASHER FLAT 3/4 HARD ASTM436		
27.	805-363C	PIN COTTER 1/8 X 1		
28.	837-155C	WEAR PAD		
29.	837-157C	BUBBLE LEVEL		
30.	320-131B	SPACER BARS W/HRDWR HTCH KIT	S/N 1056166K+	

Hitch Slide Pin Assembly

Applies to AP-TH35



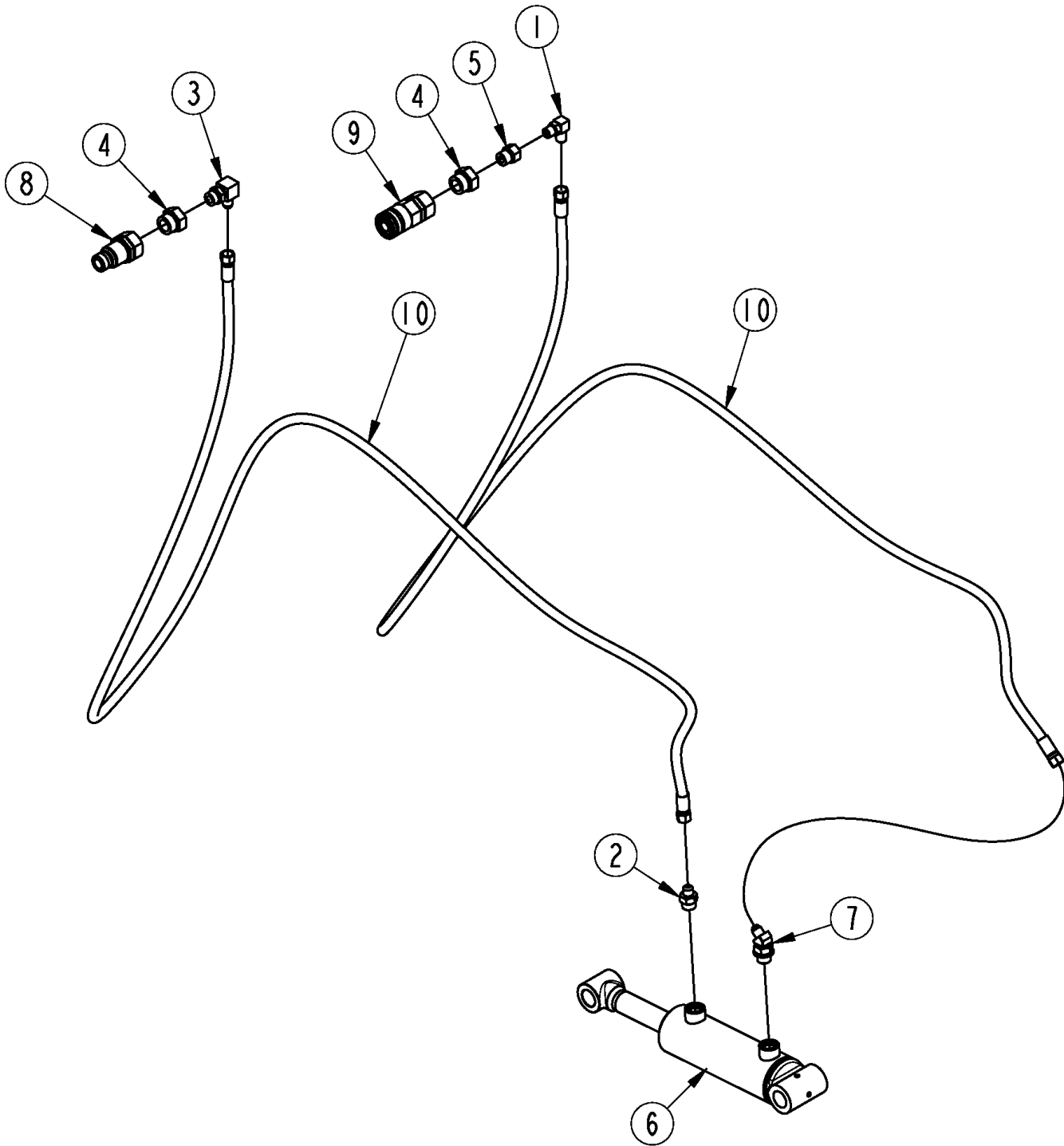
70737

Hitch Slide Pin Assembly**Applies to AP-TH35**

Ref	Part No.	Part Description	Comments	Revision
	Dwg 70737	Image No.		
1.	320-196D	LP HANDLE RIGHT		
1.	320-197D	LP HANDLE LEFT		
2.	320-207D	HITCH SLIDE PIN		
3.	320-208D	HITCH SLIDE PIN CONNECTOR	Redesigned at S/N 1066510K+	
4.	320-209D	HITCH HANDLE CONNECTOR		
5.	320-266D	WASHER FLAT 1.50X.45X.13T PLT		
6.	802-023C	HHCS 3/8-16X1 3/4 GR5		
7.	802-907C	HHCS 7/16-20X3 1/4 GR8		
8.	803-013C	NUT LOCK 3/8-16 PLT		
9.	803-108C	NUT HEX 7/16-20 TOP STK GRBPLT		
10.	803-178C	NUT NYLOCK JAM NUT 1/2-13	S/N 1066510K+	
10.	803-147C	NUT HEX NYLOCK 1/2-13	S/N 1066509K-	
11.	803-169C	NUT HEX FLG LOCK 1/2-13 PLT		
12.	804-026C	WASHER FLAT 7/8 SAE PLT		
13.	804-017C	WASHER FLAT 1/2 USS PLT		
14.	807-374C	SPRING COMP 1.30ODX1.18LX.148W		
15.	807-384C	SPRING COMP 1.13IDX3.44IX.188W		

Hydraulics

Applies to AP-TH35



70734

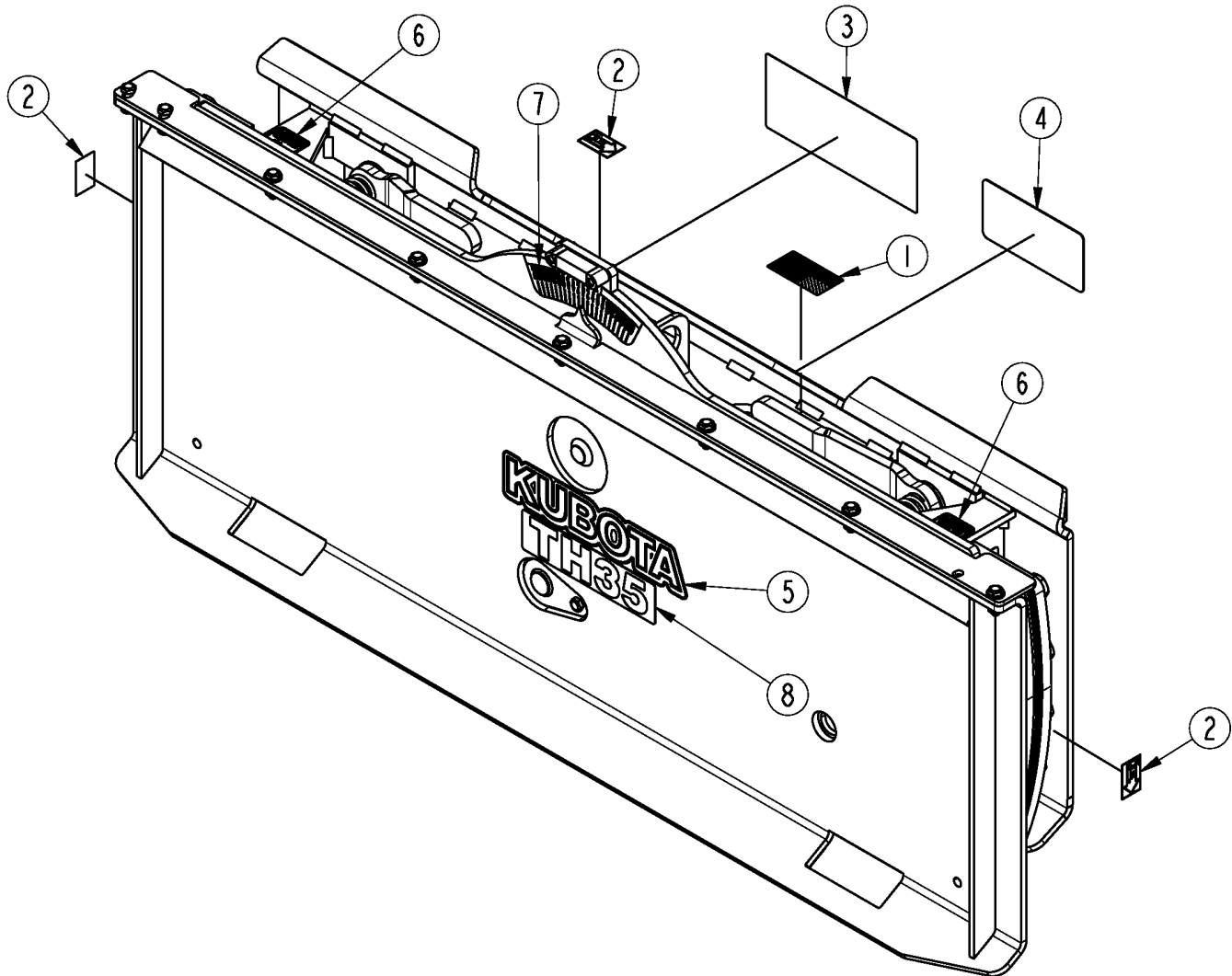
Hydraulics

Applies to AP-TH35

Ref	Part No.	Part Description	Comments	Revision
	Dwg 70734	Image No.		
1.	811-062C	OREL 1/32 9/16MJIC 9/16MORB		
2.	811-133C	AD 9/16MJIC 3/4MORB		
3.	811-171C	EL 3/4MORB 9/16MJIC		
4.	841-002C	AD 1 1/16MORB 3/4FORB		
5.	841-103C	AD 3/4MORB 9/16FORB		
6.	850-236C	CYL 2.5X5X1.25 ROD WLD		
7.	851-870C	EL 45 3/4MORB 9/16MJIC		
8.	851-947C	CUP 1 1/16FORB MALE QUICK CPLR		
9.	851-948C	CUP 1 1/16FORB FML QUICK CPLR		
10.	861-218C	HH1/4R2 110 9/16FJIC CRDRA SLV		

Decal Placement

Applies to AP-TH35



70738

Decal Placement

Applies to AP-TH35

Ref	Part No.	Part Description	Comments	Revision
	Dwg 70738	Image No.		
1.	N/A			
2.	818-298C	DECAL GREASE 25HRS BLACK/WHITE		
3.	818-831C	DECAL WARNING HIGH PRESSURE		
4.	838-293C	DECAL WARNING READ MANUAL		
5.	844-221C	DECAL, 10" KUBOTA BLOCK		
5.	858-398C	RPBY 844-221C	Obsolete	
6.	858-765C	DECAL PIC--PINCH POINT		
7.	858-826C	ANGLE INDICATOR DECAL		
8.	858-839C	DECAL TH35 WHITE		

Touch-up Paints - Kubota

Applies to AP-TH35

No diagram associated with this Parts List

Touch-up Paints - Kubota

Applies to AP-TH35

Ref	Part No.	Part Description	Comments	Revision
1.	821-070C	GLOSS BLACK SPRAY CAN	Spray can	
2.	821-070CTU	GLOSS BLACK TOUCH-UP 5OZ	Touch-up bottle with brush	
3.	821-070CQT	GLOSS BLACK QUART	Quart can	
4.	821-070CGL	GLOSS BLACK GALLON	Gallon Can	
5.	821-006C	ORANGE SPRAY CAN	Spray can	
6.	821-066CTU	ORANGE TOUCH-UP 5OZ	Touch-up bottle with brush	
7.	821-066CQT	ORANGE QUART	Quart can	
8.	821-066CGL	ORANGE GALLON	Gallon Can	
9.	821-085C	PAINT KBT DARK GRAY SPRAY CAN	Spray can	
10.	821-085CTU	PAINT KBT DARK GRAY TCH-UP 4OZ	Touch-up bottle with brush	



Part Number Index

The Part Number Index is a numeric index of all part numbers included in this manual. The index shows what page(s) the part is used on.

<u>Part Number</u>	<u>Page</u>	<u>Part Number</u>	<u>Page</u>
320-085H	7	851-948C	11
320-086H	7	858-398C	13
320-088H	7	858-765C	13
320-131B	7	858-826C	13
320-196D	9	858-839C	13
320-197D	9	861-218C	11
320-207D	9	Dwg 70732	7
320-208D	9	Dwg 70734	11
320-209D	9	Dwg 70737	9
320-239D	7	Dwg 70738	13
320-256D	7	N/A	13
320-257D	7		
320-258D	7		
320-259D	7		
320-260D	7		
320-265D	7		
320-266D	9		
502-068D	7		
800-001C	7		
800-073C	7		
801-274C	7		
801-276C	7		
802-007C	7		
802-010C	7		
802-023C	9		
802-159C	7		
802-407C	7		
802-907C	9		
803-007C	7		
803-011C	7		
803-013C	9		
803-053C	7		
803-064C	7		
803-108C	9		
803-147C	9		
803-169C	9		
803-178C	9		
803-255C	7		
804-017C	9		
804-026C	9		
804-036C	7		
804-088C	7		
804-093C	7		
805-363C	7		
807-374C	9		
807-384C	9		
811-062C	11		
811-133C	11		
811-171C	11		
818-298C	13		
818-831C	13		
821-006C	15		
821-066CGL	15		
821-066CQT	15		
821-066CTU	15		
821-070C	15		
821-070CGL	15		
821-070CQT	15		
821-070CTU	15		
821-085C	15		
821-085CTU	15		
837-155C	7		
837-157C	7		
838-293C	13		
841-002C	11		
841-103C	11		
844-221C	13		
850-236C	11		
851-870C	11		
851-947C	11		

This Page Intentionally Left Blank



KUBOTA TRACTOR CORPORATION

1000 Kubota Drive, Grapevine, TX 76051

Telephone: (817) 756-1171

Western Division: 1175 S. Guild Ave., Lodi, CA 95240
Telephone: (209) 334-9910

Central Division: 14855 FAA Blvd., Fort Worth, TX 76155
Telephone: (817) 571-0900

Northern Division: 6300 at One Kubota Way, Groveport, OH 43125
Telephone: (614) 835-1100

Southeast Division: 1025 Northbrook Parkway, Suwanee, GA 30024
Telephone: (770) 995-8855

www.kubota.com
