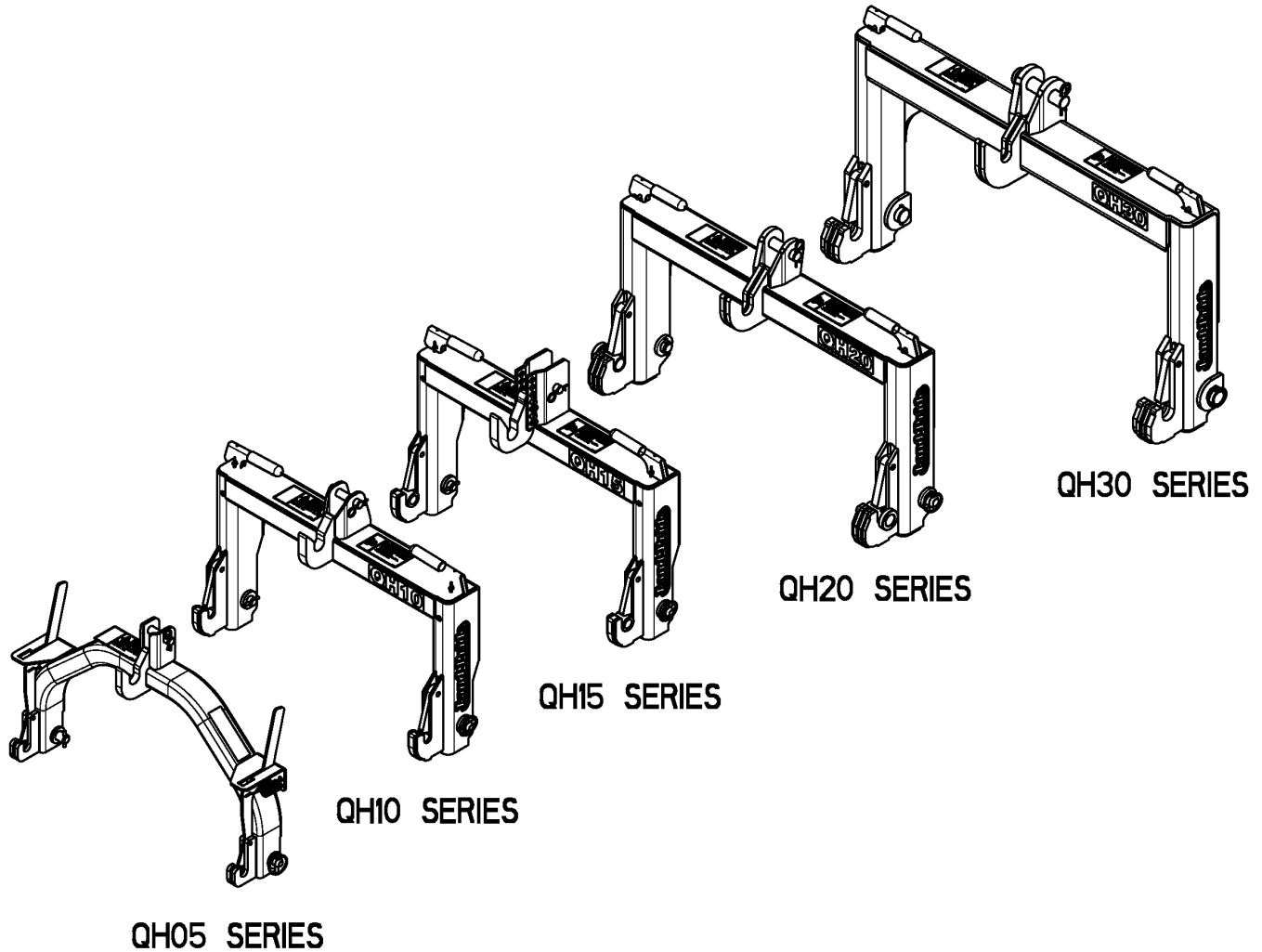


Quick Hitch

QH05, QH10, QH15, QH20 & QH30



22131

320-003P Parts Manual



Read the Operator's Manual entirely. When you see this symbol, the subsequent instructions and warnings are serious - follow without exception. Your life and the lives of others depend on it!

© Copyright 2018 Printed 07/10/18

Cover photo may show optional equipment not supplied with standard unit.





Table of Contents

Section 1: Introduction.....	4
Using This Manual.....	4
Manual Replacement Information.....	4
Manual Revisions.....	4
Touch-up Paint.....	4
Hardware Legend.....	5
Replacement Hardware.....	5
Serial Numbers.....	5
Part Number Service Coding.....	5
Section 2: Complete Assembly.....	6
Complete Assembly QH05.....	6
Complete Assembly QH10.....	8
Complete Assembly QH15.....	10
Complete Assembly QH20.....	12
Complete Assembly QH30.....	14
Section 3: Decals.....	16
Decal Placement QH05.....	16
Decal Placement QH10.....	18
Decal Placement QH15.....	20
Decal Placement QH20.....	22
Decal Placement QH30.....	24
Land Pride Touch-up Paints.....	26
Section 4: Options & Accessories.....	28
Category 1 Top Pin Adaptor Kit QH20.....	28
Floating Top Link QH05 & QH10.....	30
Floating Top Link QH15.....	32
Floating Top Link QH20.....	34
Part Number Index.....	36

© Copyright 2018. All rights reserved.

Land Pride provides this publication “as is” without warranty of any kind, either expressed or implied. While every precaution has been taken in the preparation of this manual, Land Pride assumes no responsibility for errors or omissions. Neither is any liability assumed for damages resulting from the use of the information contained herein. Land Pride reserves the right to revise and improve its products as it sees fit. This publication describes the state of this product at the time of its publication, and may not reflect the product in the future. The illustrations in this manual are not intended for safe and proper assembly or disassembly of equipment. The illustrations are intended for ordering parts only.

Land Pride is registered trademark.

All other brands and product names are trademarks or registered trademarks of their respective holders.

Printed in the United States of America.



Alphabetized Table of Contents

C

Category 1 Top Pin Adaptor Kit QH20.....	28
Complete Assembly QH05.....	6
Complete Assembly QH10.....	8
Complete Assembly QH15.....	10
Complete Assembly QH20.....	12
Complete Assembly QH30.....	14

D

Decal Placement QH05.....	16
Decal Placement QH10.....	18
Decal Placement QH15.....	20
Decal Placement QH20.....	22
Decal Placement QH30.....	24

F

Floating Top Link QH05 & QH10.....	30
Floating Top Link QH15.....	32
Floating Top Link QH20.....	34

L

Land Pride Touch-up Paints.....	26
---------------------------------	----

General Information

Using This Manual

This manual is divided into sections. The first section contains General Information. The remaining sections divide the machine into segments (i.e. Frames, Drives, Hydraulics, etc.) which illustrate and list all parts. A Parts Number Index is located at the back of the book.

The Land Pride parts in this manual are specially designed for this machine and should be replaced with Land Pride parts only.

The information in this manual is current at time of printing. Some parts may change to assure top performance.

Right-hand and left-hand as used in this manual are determined by facing the direction the machine will travel while in use.

Below is an example of two facing pages from a parts manual. Familiarize yourself with the type of information contained on these pages.

Manual Replacement Information

Replacement manuals are available. Refer to our website at www.landpride.com or e-mail us at lit@landpride.com for additional information. Our website continues to provide the most up-to-date manuals available.

Touch-up Paint

Repaint parts where paint is worn or scratched to prevent rust. Aerosol cans and touch-up bottles with brush applicator are available through your local dealer. Also available are quart and gallon size paints. Add QT or GL to end of the Aerosol P/N.

Land Pride color descriptions and part numbers are listed on the "Land Pride Touch-up Paints" page in the "Decals" section of this book. Color options vary by product.



General Information

Hardware Legend

AR	As Required
BLADE	Blade Bolt
C	Cap Screw
CP	Cotter Pin
CPHSSS	Cup Point Hex Socket Set Screw
CPSHSS	Cup Point Square Head Set Screw
CPSQHSS	Cup Point Square Head Set Screw
CRFCHMS3	Cross Recess Flat Countersunk Head Machine Screw
CRPHMS	Cross Recess Pan Head Machine Screw
CRPHTF	Cross Recess Pan Head Thread Forming
CRRHMS	Cross Recess Round Head Machine Screw
CRTHMS	Cross Recess Truss Head Machine Screw
CSNB	Countersunk Square Neck Bolt
FHMS	Flat Head Machine Screw
FTC	Full Thread Cap Screw
H	Hex Nut
HCLN	Hex Center Lock Nut
HFLCS	Hex Flange Lock Cap Screw
HFS	Hex Flange Screw
HFSLN	Hex Flange Serrated Lock Nut
HFSS	Hex Flange Serrated Screw
HHCS	Hex Head Cap Screw or Metric Bolt
HSBHCS	Hex Socket Button Head Cap Screw
HSFCHCS	Hex Socket Flat Countersunk Head Cap Screw
HSHCS	Hex Socket Head Cap Screw
HSSS	Hex Socket Head Screw
HTLN	Hex Top Lock Nut
HWHCS	Hex Washer Head Cap Screw

HWHMS	Hex Washer Head Machine Screw
HXBHCS	Hex Socket Button Head Cap Screw
J	Hex Jam Nut
JIC	37 Degree Tapered Thread
L	Helical Spring Lock Washer
LUG	Lug Bolt
NFC	National Fine Cap Screw
NPSM	National Pipe Straight Mechanical
NPTF	National Pipe Taper Fuel
P	Wide Plain Washer
PHMS	Pan Head Machine Screw
PLOW	Plow Bolt
RHMS	Round Head Machine Screw
RHSNB	Round Head Square Neck Bolt
SCREW LEVELING	Leveling Screw
SCREW THUMB	Thumb Screw
SCREW WELD	Weld Screw
SFCHMS	Slotted Flat Countersunk Head Machine Screw
SFHMS	Slotted Fillister Head Machine Screw
SP	Special
SP SCREW	Special Screw
SOHSS	Square Head Set Screw
SRHMS	Slotted Round Head Machine Screw
SSS	Socket Set Screw
STCS	Self Tapping Cap Screw
STHMS	Slotted Truss Head Machine Screw
WHEEL	Wheel Studs and Hub Long Bolts
WING	Wing Bolt

Replacement Hardware

The **Hardware Legend** above lists hardware abbreviations used in the parts list. All bolts and nuts are Grade 5 unless otherwise noted. The use of improper grades of hardware can result in personal injury, damage to equipment, or loss of property.

Colored Replacement Parts

Land Pride offers replacement parts in factory standard colors and also on select models in Green, Orange, Red and Blue. Because of the variety of colors available, special attention must be given to the part number to prevent ordering the wrong replacement part.

A suffix number corresponding to one of the colors below must be added at the end of Land Pride's part number when ordering a replacement part with that color.

81 Green 83Red
82 Orange 84Blue

For example, if you are ordering a replacement part with part number 555-555C and the part you need is red, then add the suffix 83 to the end of the number to make the part number read 555-555C83. Parts ordered without a suffix number will be supplied in factory standard colors.

Black Replacement Parts

Some parts are factory standard black and some must be special ordered black. If your part is special ordered black, a second part number with the additional suffix number 85 on the end will be available. In this situation you must order that part with the suffix number for it to be black. Parts that are factory standard black will not have the suffix number.

Part Number Service Coding

Within the parts list some part numbers are coded for revisions and interchangeability. See notations in revision column.

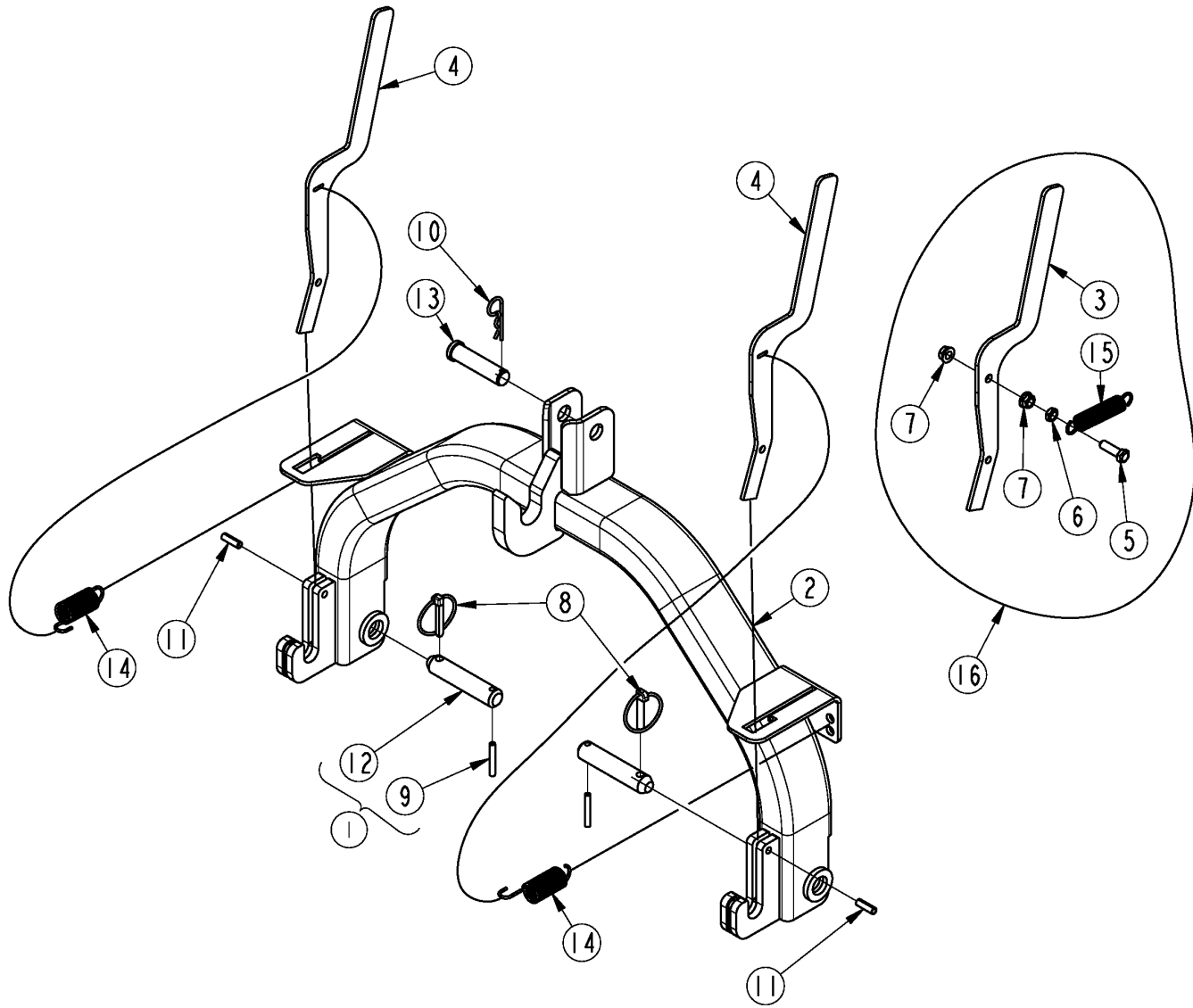
Serial Numbers

Always use the serial and model number when ordering parts. Refer to the Operator's Manual for serial number plate location.

- (S/N 20001+) Includes serial numbers 20001 and above (to the latest number)
- (S/N 10001 to 20000) Includes serial numbers between and including 10001 and 20000
- (S/N 10000-) Includes serial numbers 10000 and below (to the earliest number)

Complete Assembly QH05

Applies to QH05



37042

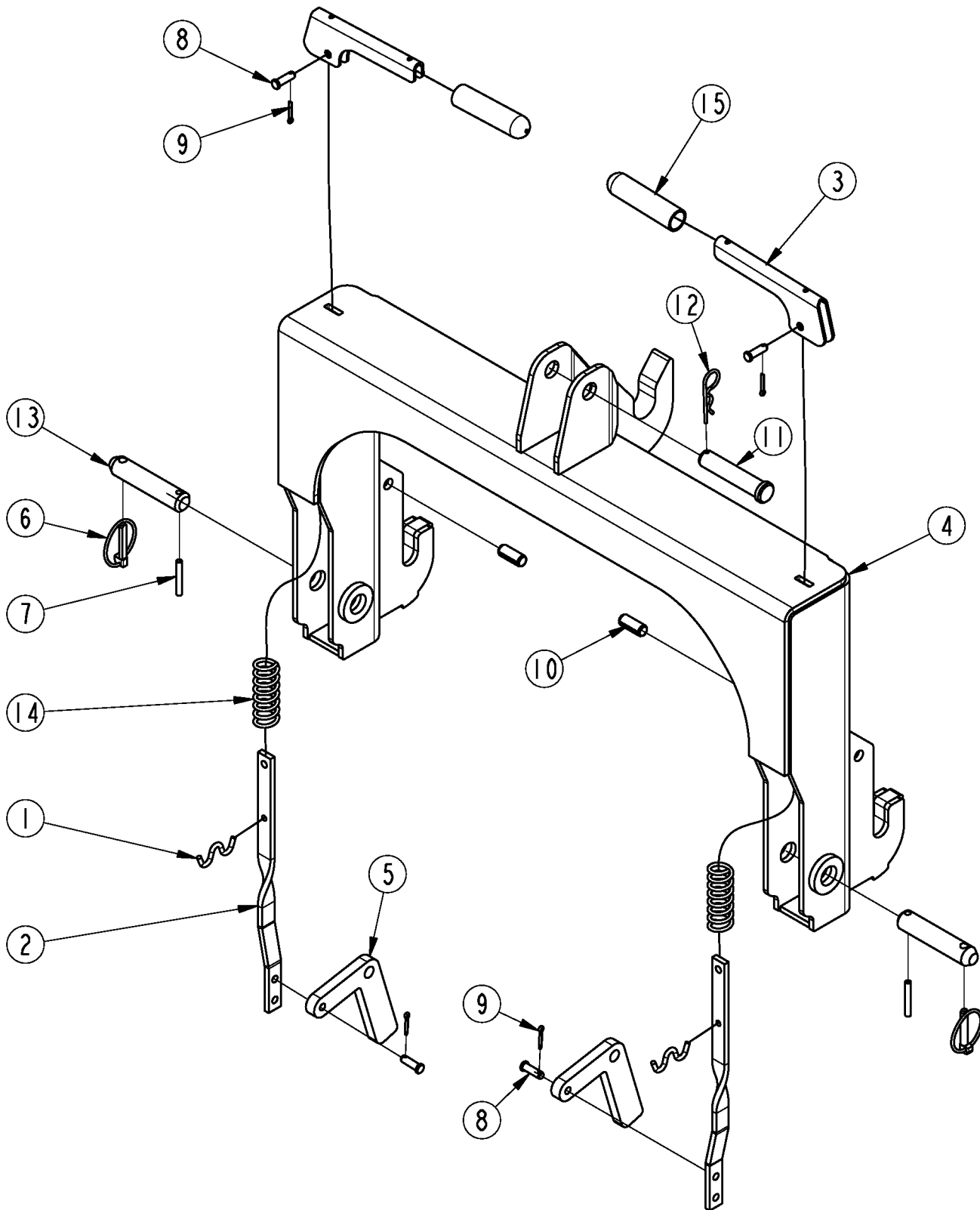
Complete Assembly QH05

Applies to QH05

Ref	Part No.	Part Description	Comments	Revision
	Dwg 37042	Drawing Image Number		
1.	310-020S	LOWER HITCH PIN		
2.	320-056H	FRAME WLDMT QH05	Black unit	
2.	320-056H81	FRAME WLDMT QH05 GREEN	Green unit	
2.	320-056H82	FRAME WLDMT QH05 ORANGE	Orange unit	
2.	320-056H83	FRAME WLDMT QH05 RED	Red unit	
3.	320-148D	LOCK HANDLE	S/N 1192618-	
4.	320-253D	LOCK HANDLE	S/N 1192619+	
5.	802-079C	HHCS 3/8-16X1 1/4 GR5	S/N 1192618-	
6.	803-012C	NUT HEX JAM 3/8-16 PLT	S/N 1192618-	
7.	803-198C	NUT HEX WHIZ 3/8-16 PLT	S/N 1192618-	
8.	805-015C	PIN LINCH 5/16 X 1 3/4		
9.	805-041C	PIN ROLL 1/4X1 3/4		
10.	805-143C	PIN HAIR COTTER .120 PLT		
11.	805-156C	PIN ROLL 5/16 X 1 LG		
12.	805-198C	PIN CLVS HDLS .88X3.08 USBL		
13.	805-318C	PIN CLVS .75X2.77 USBL		
14.	807-185C	SPRING EX 1ODX3.5LX.105 OFFSET	S/N 1192619+	
15.	807-309C	SPRING EXT, .750D X .095 X 4.0		
16.	320-109S	QH05 LOCK HANDLE KIT-OLD	S/N 1192618-	

Complete Assembly QH10

Applies to QH10



70124

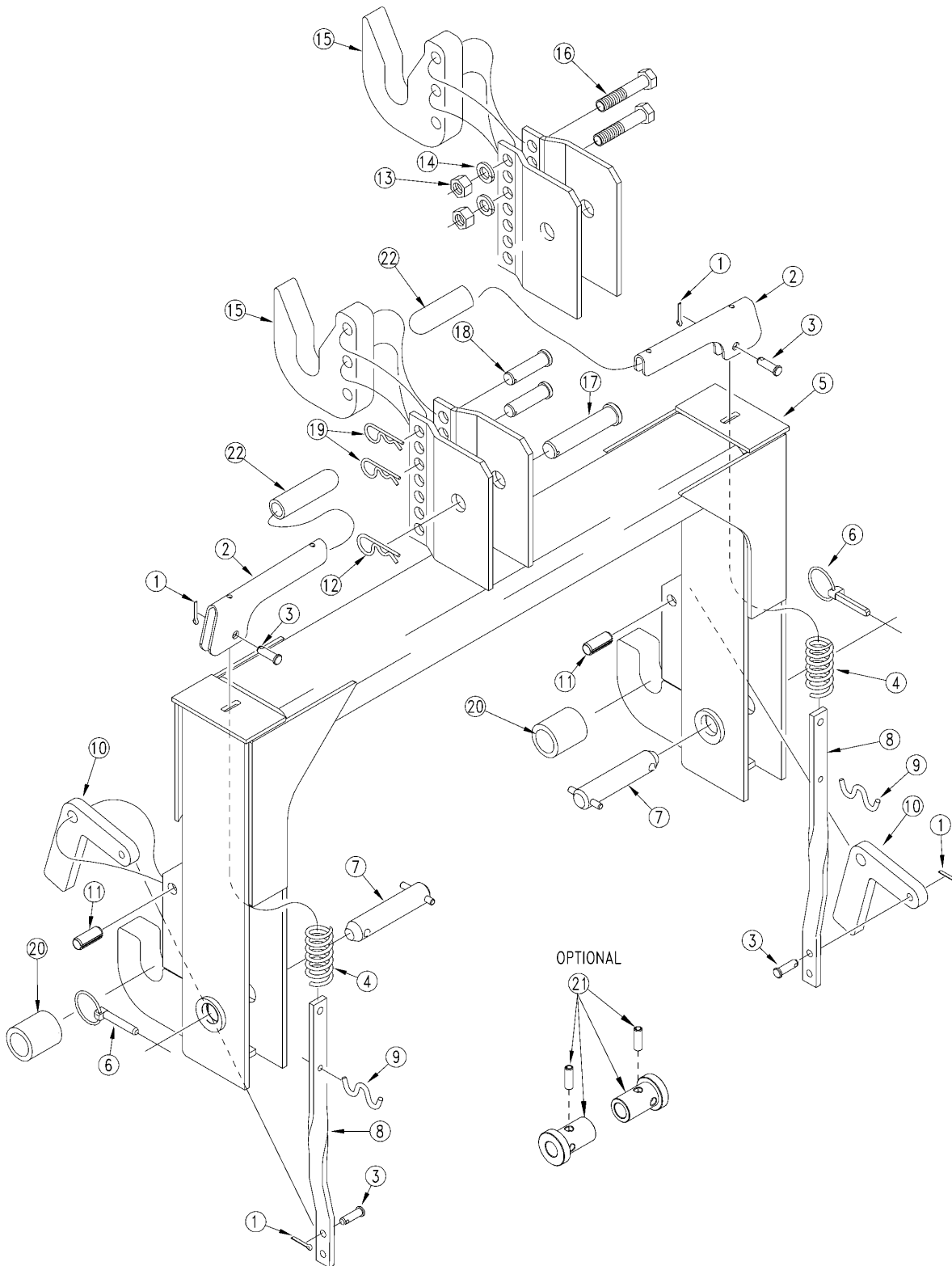
Complete Assembly QH10

Applies to QH10

Ref	Part No.	Part Description	Comments	Revision
	Dwg 70124	Image No.		
1.	107-027D	DISC SPRING BAR WIRE CLIP		
2.	320-001D	LEVER ARM SPRING STRAP W/TWIST		
3.	320-014D	LOCK UP HANDLE		
4.	320-096H	CAT.1 QH FRAME WLDMT		
5.	320-218D	LOWER 3 POINT LOCK ARM		
6.	805-015C	PIN LINCH 5/16 X 1 3/4		
7.	805-041C	PIN ROLL 1/4X1 3/4		
8.	805-066C	PIN CLVS .31X.79 USBL		
9.	805-067C	PIN COTTER 1/8 X 3/4		
10.	805-123C	PIN ROLL 1/2 X 1 1/4 PLT		
11.	805-142C	PIN CLVS .75X3.26 USBL		
12.	805-143C	PIN HAIR COTTER .120 PLT		
13.	805-198C	PIN CLVS HDLS .88X3.08 USBL		
14.	807-007C	SPRING LEVER		
15.	817-246C	GRIP HANDLE .84 ID X 4 LG		

Complete Assembly QH15

Applies to QH15



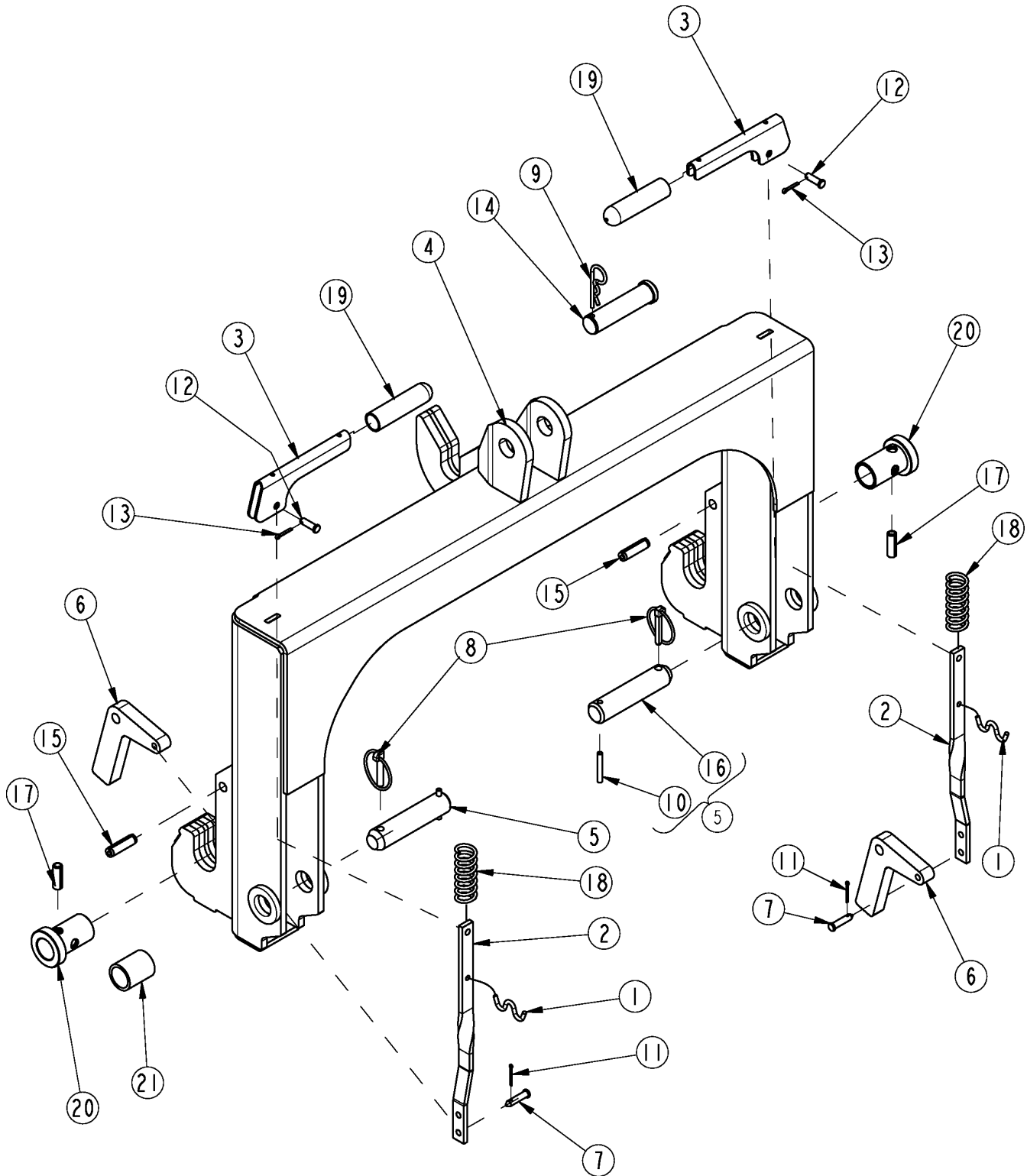
17287

Complete Assembly QH15**Applies to QH15**

Ref	Part No.	Part Description	Comments	Revision
	Dwg 17287	Drawing Image Number		
1.	805-067C	PIN COTTER 1/8 X 3/4		
2.	320-014D	LOCK UP HANDLE		
3.	805-066C	PIN CLEVIS 5/16 X 1 BEE IND.		
4.	807-007C	SPRING LEVER		
5.	320-001H	CAT.1 QUICK HITCH FRAME WLDMT	BLACK UNIT	
5.	320-001H81	CAT.1 QUICK HITCH FRAME WLDMT GREEN	GREEN UNIT	
5.	320-001H82	CAT.1 QUICK HITCH FRAME WLDMT ORANGE	ORANGE UNIT	
5.	320-001H83	CAT.1 QUICK HITCH FRAME WLDMT RED	RED UNIT	
6.	805-015C	LINCHPIN 5/16 X 1 3/4		
7.	310-020S	LOWER HITCH PIN		
8.	320-001D	LEVER ARM SPRING STRAP W/TWIST		
9.	107-027D	DISC SPRING BAR WIRE CLIP		
10.	320-049D	LOWER 3 POINT LOCK ARM	(S/N 388293+)	Rev. 2 not compat. w/Rev. 1
10.	320-011D	LOWER 3 POINT LOCK ARM	(S/N 388292-)	Rev. 1
11.	805-123C	PIN ROLL 1/2 X 1 1/4 PLT		
12.	805-143C	PIN HAIR COTTER .120 PLT		
13.	803-019C	NUT LOCK 1/2-13 PLT	(S/N 269720 <-> 291925)	Rev. 2 not compat. w/Rev. 1
13.	803-020C	NUT HEX 1/2-13 PLT	(S/N 269719-)	Rev. 1
14.	804-015C	WASHER LOCK SPRING 1/2 PLT	(S/N 291925-)	
15.	320-004D	TOP 3 POINT LUG CAT.1 BLACK	(S/N 560922- & 567338+)	
15.	320-004D81	TOP 3 POINT LUG CAT.1 GREEN	(S/N 560922- & 567338+)	
15.	320-004D82	TOP 3 POINT LUG CAT.1 ORANGE	(S/N 560922- & 567338+)	
15.	320-004D83	TOP 3 POINT LUG CAT.1 RED	(S/N 560922- & 567338+)	
15.	320-073D	TOP 3 POINT LUG CAT.1 SPCL	(S/N 560923 to 567337)	
16.	802-128C	HHCS 1/2-13X2 GR5	(S/N 269720 <-> 291925)	Rev. 2 not compat. w/Rev. 1
16.	802-130C	HHCS 1/2-13X2 1/2 GR5	(S/N 269719-)	Rev. 1
17.	805-142C	PIN CLEVIS 3/4 X 3 1/2 PLT		
18.	805-303C	PIN CLEVIS 1/2X1 49/64 USABLE	(S/N 291926+)	
19.	805-010C	PIN HAIR COTTER .094	(S/N 291926+)	
20.	320-048D	CAT1 QUICK HITCH LWR SPCR TUBE	(S/N 388293+) Standard	
20.	320-044D	SPCR TUBE 1.44 OD X .93 ID X 1.50 LG	Optional Order as Required	
20.	320-045D	SPCR TUBE 1.44 OD X .93 ID X 1.93LG	Optional Order as Required	
20.	320-050D	SPCR TUBE 1.44 OD X .93 ID X 2.18 LG	Optional Order as Required	
20.	320-051D	SPCR TUBE 1.44 OD X .93 ID X 2.43 LG	Optional Order as Required	
20.	325-017D	SPCR TUBE 1.44 OD X .93 ID X 2.88 LG	Optional Order as Required	
20.	320-052D	SPCR TUBE 1.44 OD X .93 ID X 3.50 LG	Optional Order as Required	
21.	320-034A	ADPTR KIT QH CAT I-III LWR 3PT	Optional Order as Required	
22.	817-246C	GRIP HANDLE .84 ID X 4 LG	(S/N 434022+)	

Complete Assembly QH20

Applies to QH20



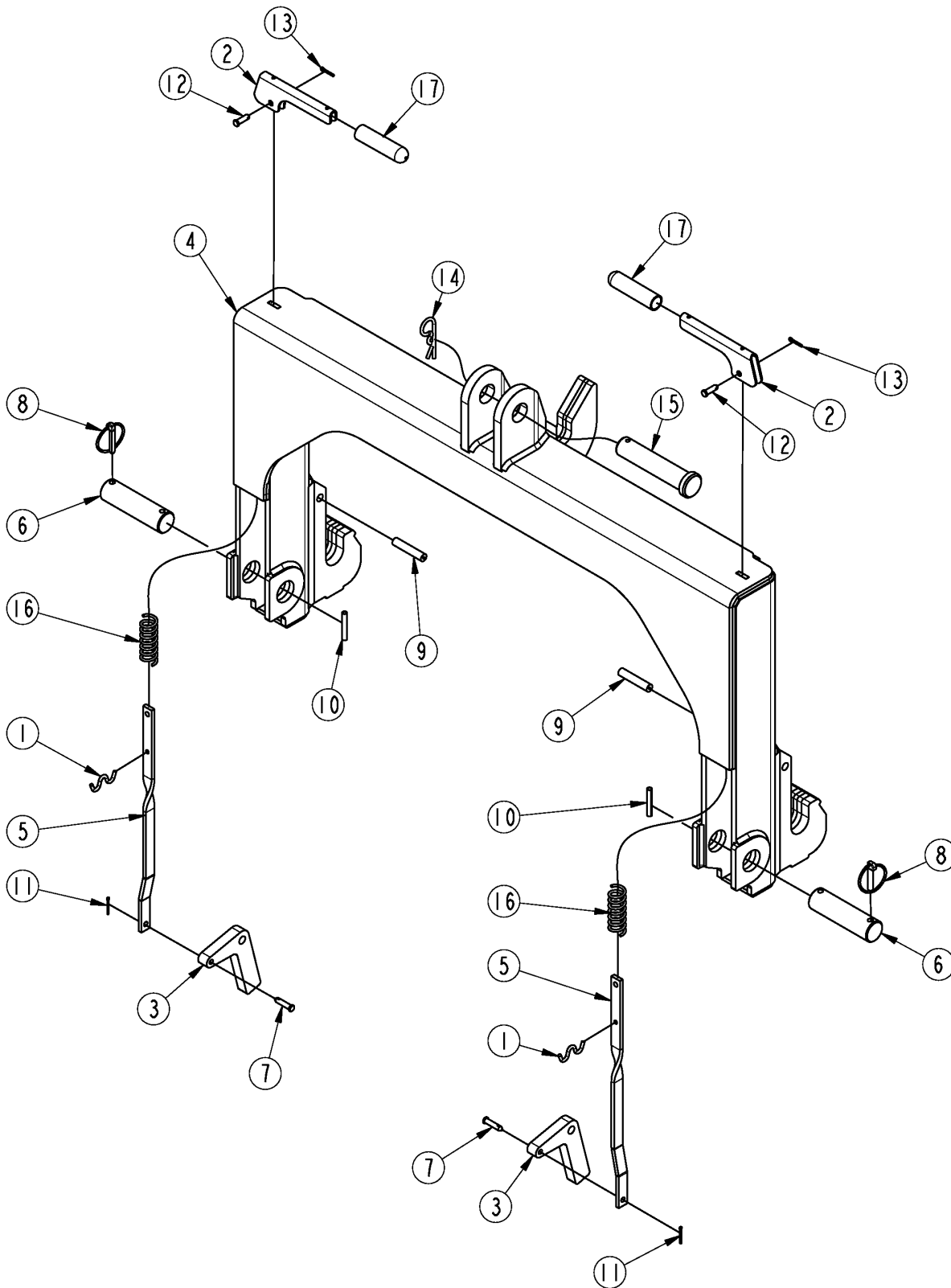
24923

Complete Assembly QH20**Applies to QH20**

Ref	Part No.	Part Description	Comments	Revision
	Dwg 24923	Drawing Image Number		
1.	107-027D	DISC SPRING BAR WIRE CLIP		
2.	320-001D	LEVER ARM SPRING STRAP W/TWIST		
3.	320-014D	LOCK UP HANDLE		
4.	320-044H	CAT. II Q.H. FRAME WELDMENT BLACK	S/N _____+	
4.	320-044H81	CAT. II Q.H. FRAME WELDMENT GREEN	S/N _____+	
4.	320-044H82	CAT. II Q.H. FRAME WELDMENT ORANGE	S/N _____+	
4.	320-044H83	CAT. II Q.H. FRAME WELDMENT RED	S/N _____+	
4.	320-026H	RPBY 320-044H	S/N _____-	
5.	320-027S	LOWER HITCH PIN ASY CAT II		
6.	320-063D	LOWER 3 POINT LOCK ARM CAT II		
7.	805-011C	PIN CLEVIS 5/16 X 1 13/32		
8.	805-015C	PIN LINCH 5/16 X 1 3/4		
9.	805-032C	PIN HAIR COTTER .148 WIRE		
10.	805-041C	PIN ROLL 1/4X1 3/4		
11.	805-063C	PIN COTTER 3/32 X 1 LONG		
12.	805-066C	PIN CLEVIS 5/16 X 1 BEE IND.		
13.	805-067C	PIN COTTER 1/8 X 3/4		
14.	805-124C	PIN CLVS 1.0X3.69 USBL GR5		
15.	805-357C	PIN SPIROL 1/2 X 1 3/4		
16.	805-392C	HITCH PIN LOWER CAT II		
17.	805-393C	PIN ROLL 7/16 X 1 3/8 PLT		
18.	807-007C	SPRING LEVER		
19.	817-246C	GRIP HANDLE .84 ID X 4 LG		
20.	890-938C	ADAPTER QH CAT II LWR 3PT	Standard	
21.	890-939C	ADAPTER BUSHING CAT II 1-3/4"L	Optional Order As Required	
21.	890-940C	ADAPTER BUSHING CAT II 2-1/2"L	Optional Order As Required	
21.	890-941C	ADAPTER BUSHING CAT II 2-3/4"L	Optional Order As Required	

Complete Assembly QH30

Applies to QH30



70318

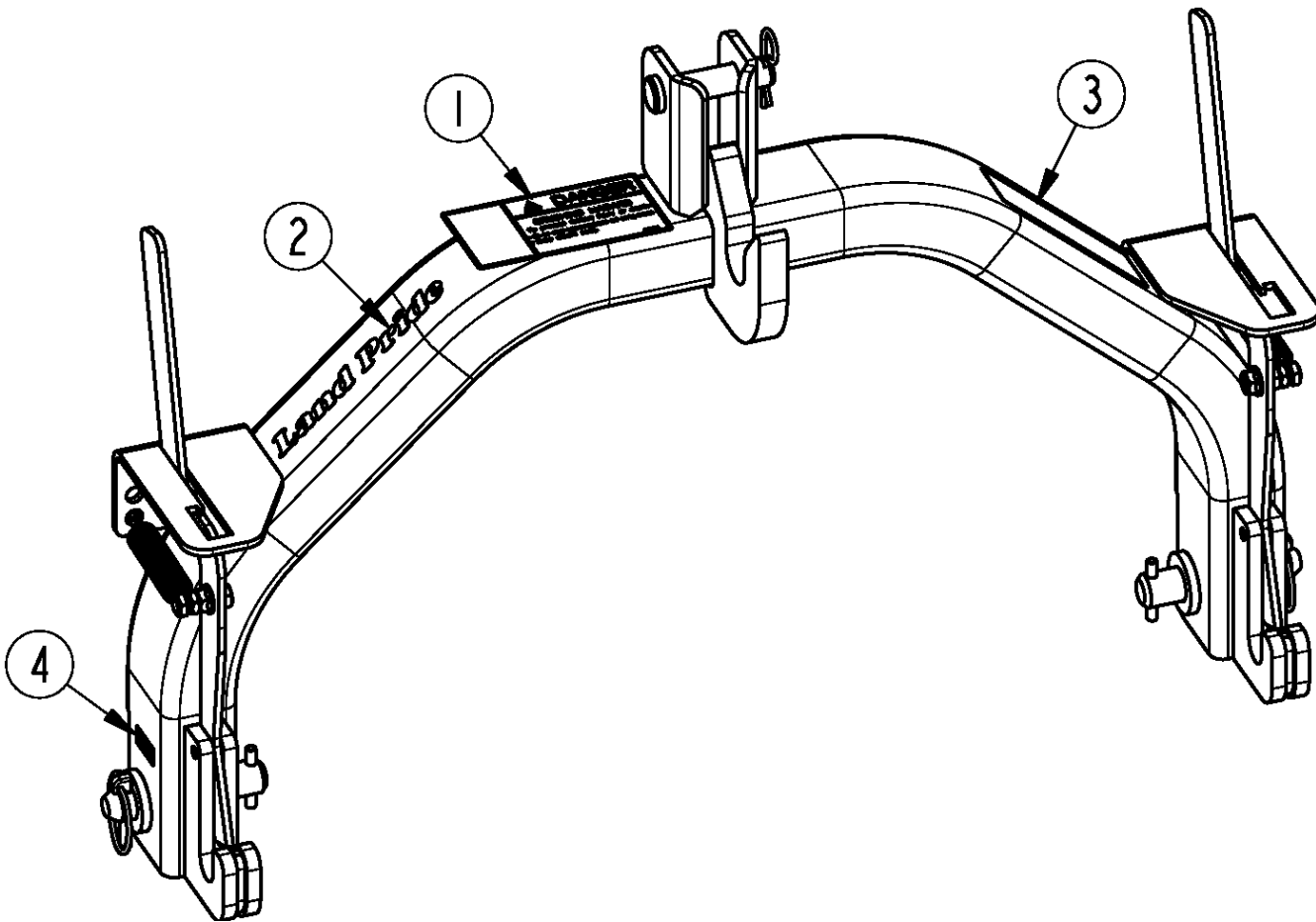
Complete Assembly QH30

Applies to QH30

Ref	Part No.	Part Description	Comments	Revision
	Dwg 70318	Image No.		
1.	107-027D	DISC SPRING BAR WIRE CLIP		
2.	320-014D	LOCK UP HANDLE		
3.	320-063D	LOWER 3 POINT LOCK ARM		
4.	320-098H	CAT. III QH FRAME WLDMT		
5.	320-222D	ARM SPRING STRAP LG W/TWIST		
6.	320-236D	LOWER 3PT PIN		
7.	805-011C	PIN CLVS .31X1.0 USBL		
8.	805-015C	PIN LINCH 5/16 X 1 3/4		
9.	805-037C	PIN SPIROL 1/2X2 1/2 PLAIN		
10.	805-053C	PIN ROLL 5/16 X 2 LG.PLT		
11.	805-063C	PIN COTTER 3/32 X 1 LONG		
12.	805-066C	PIN CLVS .31X.79 USBL		
13.	805-067C	PIN COTTER 1/8 X 3/4		
14.	805-088C	PIN, HAIR COTTER 3/16 WIRE DIA		
15.	805-411C	PIN CLVS 1.25X5.19 USBL		
16.	807-007C	SPRING LEVER		
17.	817-246C	GRIP HANDLE .84 ID X 4 LG		

Decal Placement QH05

Applies to QH05



37043

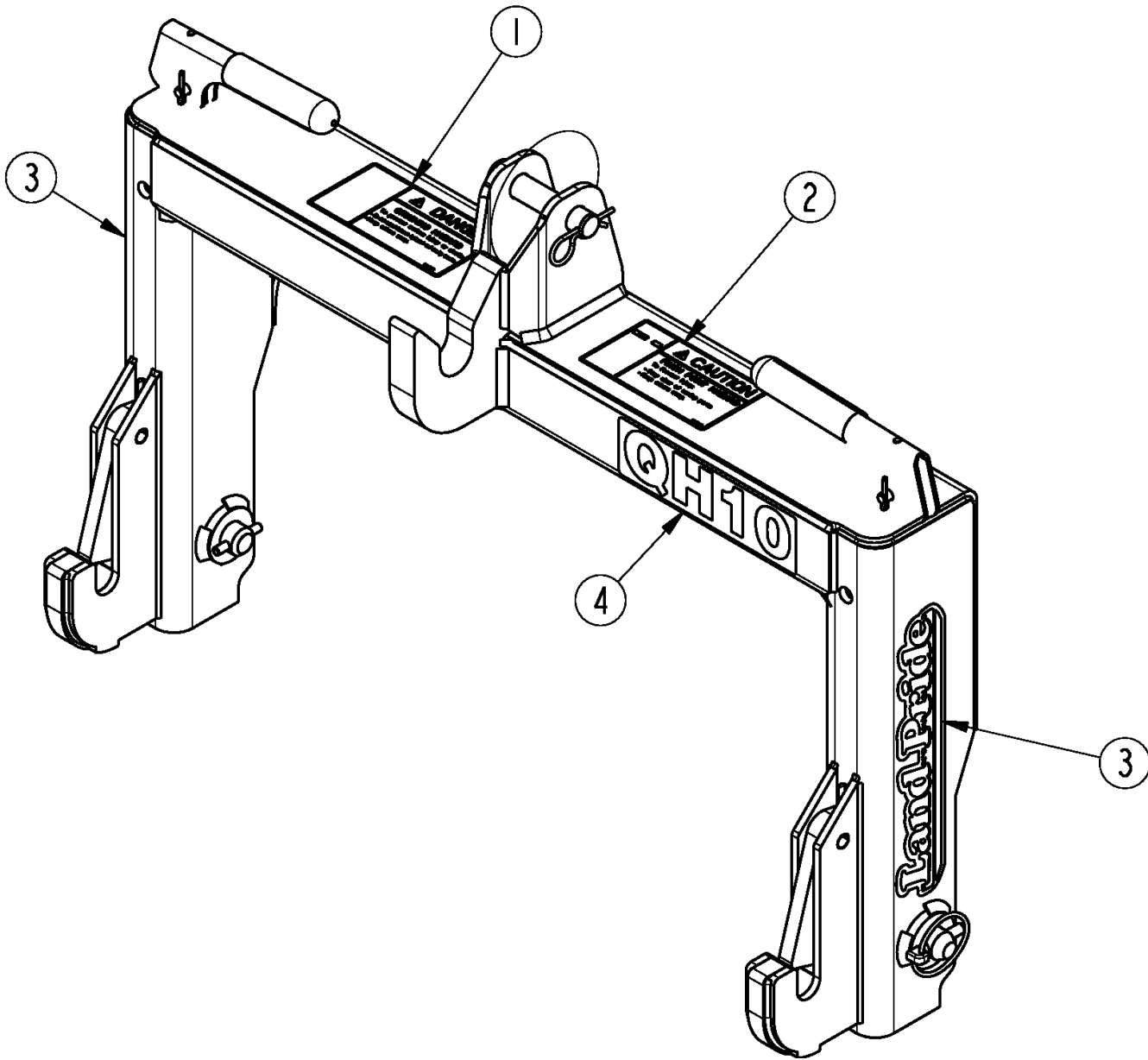
Decal Placement QH05

Applies to QH05

Ref	Part No.	Part Description	Comments	Revision
	Dwg 37043	Drawing Image Number		
1.	818-590C	DECAL DANGER CRUSH TRCTR & 3PT	S/N _____ -	
1.	818-714C	DECAL DANGER CRUSHING TWO IMP	S/N _____ +	
2.	838-851C	RPBY 838-967C		
2.	838-967C	DECAL LANDPRIDE 6" BROWN/GOLD		
3.	858-217C	DECAL SUB-COMPACT QUICK HITCH		
4.	858-778C	DECAL QH05 PATENT NUMBER		

Decal Placement QH10

Applies to QH10



70125

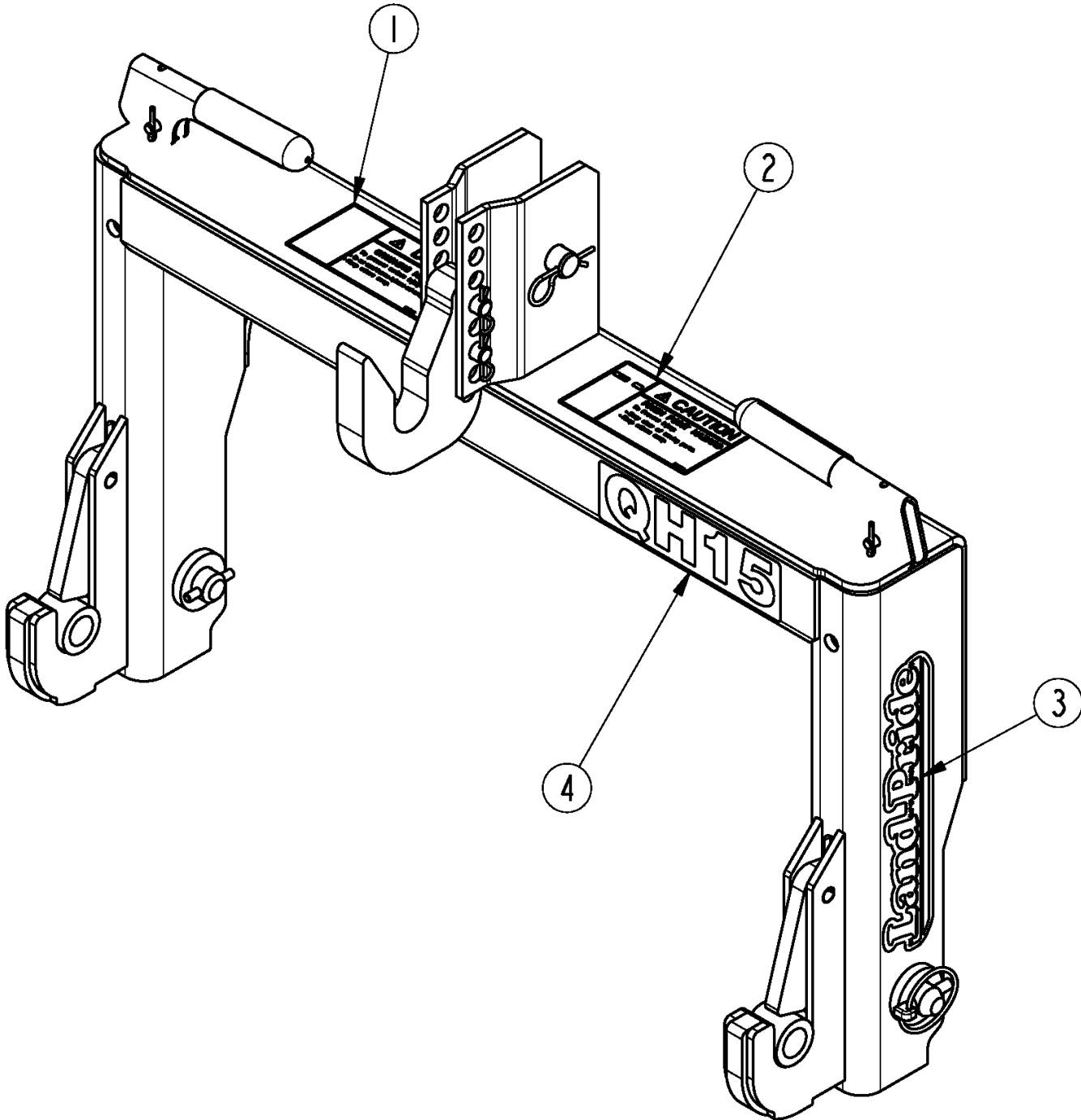
Decal Placement QH10

Applies to QH10

Ref	Part No.	Part Description	Comments	Revision
	Dwg 70125	Image No.		
1.	818-590C	DECAL DANGER CRUSH TRCTR & 3PT	S/N _____ -	
1.	818-714C	DECAL DANGER CRUSHING TWO IMP	S/N _____ +	
2.	818-866C	DECAL CAUTION PINCH POINT HAZ.		
3.	848-159C	DECAL LANDPRIDE 10" BROWN/GOLD		
4.	858-862C	DECAL, QH10 GOLD		

Decal Placement QH15

Applies to QH15



37446

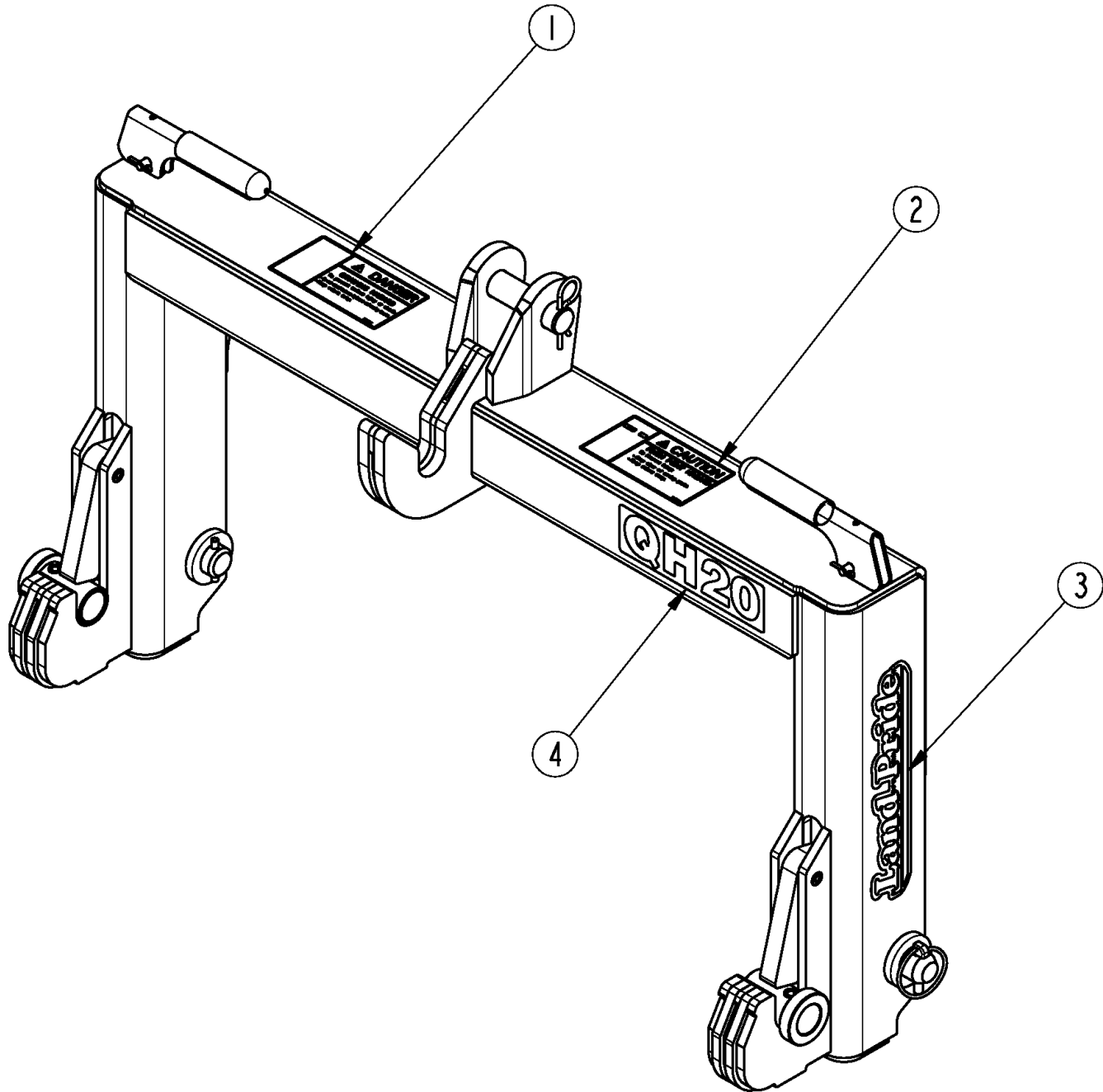
Decal Placement QH15

Applies to QH15

Ref	Part No.	Part Description	Comments	Revision
	Dwg 37446	Image No.		
1.	818-590C	DECAL DANGER CRUSH TRCTR & 3PT	S/N _____ -	
1.	818-714C	DECAL DANGER CRUSHING TWO IMP	S/N _____ +	
2.	818-866C	DECAL CAUTION PINCH POINT HAZ.		
3.	848-159C	DECAL LANDPRIDE 10" BROWN/GOLD	S/N 927217+	
4.	858-374C	DECAL, QH15 GOLD	S/N 927217+	

Decal Placement QH20

Applies to QH20



37447

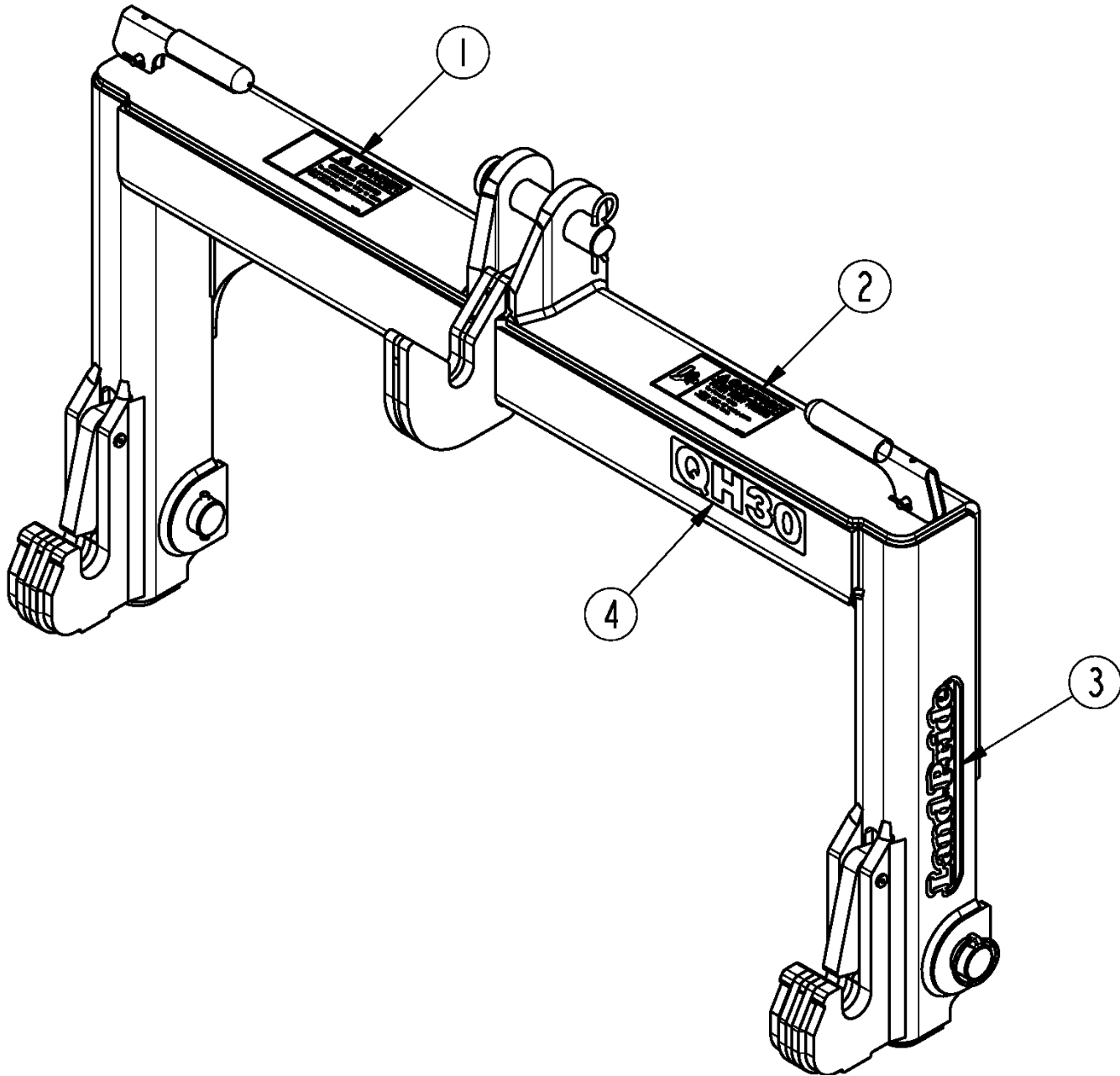
Decal Placement QH20

Applies to QH20

Ref	Part No.	Part Description	Comments	Revision
	Dwg 37447	Image No.		
1.	818-590C	DECAL DANGER CRUSH TRCTR & 3PT	S/N _____ -	
1.	818-714C	DECAL DANGER CRUSHING TWO IMP	S/N _____ +	
2.	818-866C	DECAL CAUTION PINCH POINT HAZ.		
3.	848-159C	DECAL LANDPRIDE 10" BROWN/GOLD	S/N 927217+	
4.	858-375C	DECAL, QH20 GOLD	S/N 927217+	

Decal Placement QH30

Applies to QH30



70319

Decal Placement QH30

Applies to QH30

Ref	Part No.	Part Description	Comments	Revision
	Dwg 70319	Image No.		
1.	818-590C	DECAL DANGER CRUSH TRCTR & 3PT	S/N _____ -	
1.	818-714C	DECAL DANGER CRUSHING TWO IMP	S/N _____ +	
2.	818-866C	DECAL CAUTION PINCH POINT HAZ.		
3.	848-159C	DECAL LANDPRIDE 10" BROWN/GOLD		
4.	858-873C	DECAL, QH30 GOLD		

Land Pride Touch-up Paints

Applies to QH05, QH10, QH15, QH20, QH30

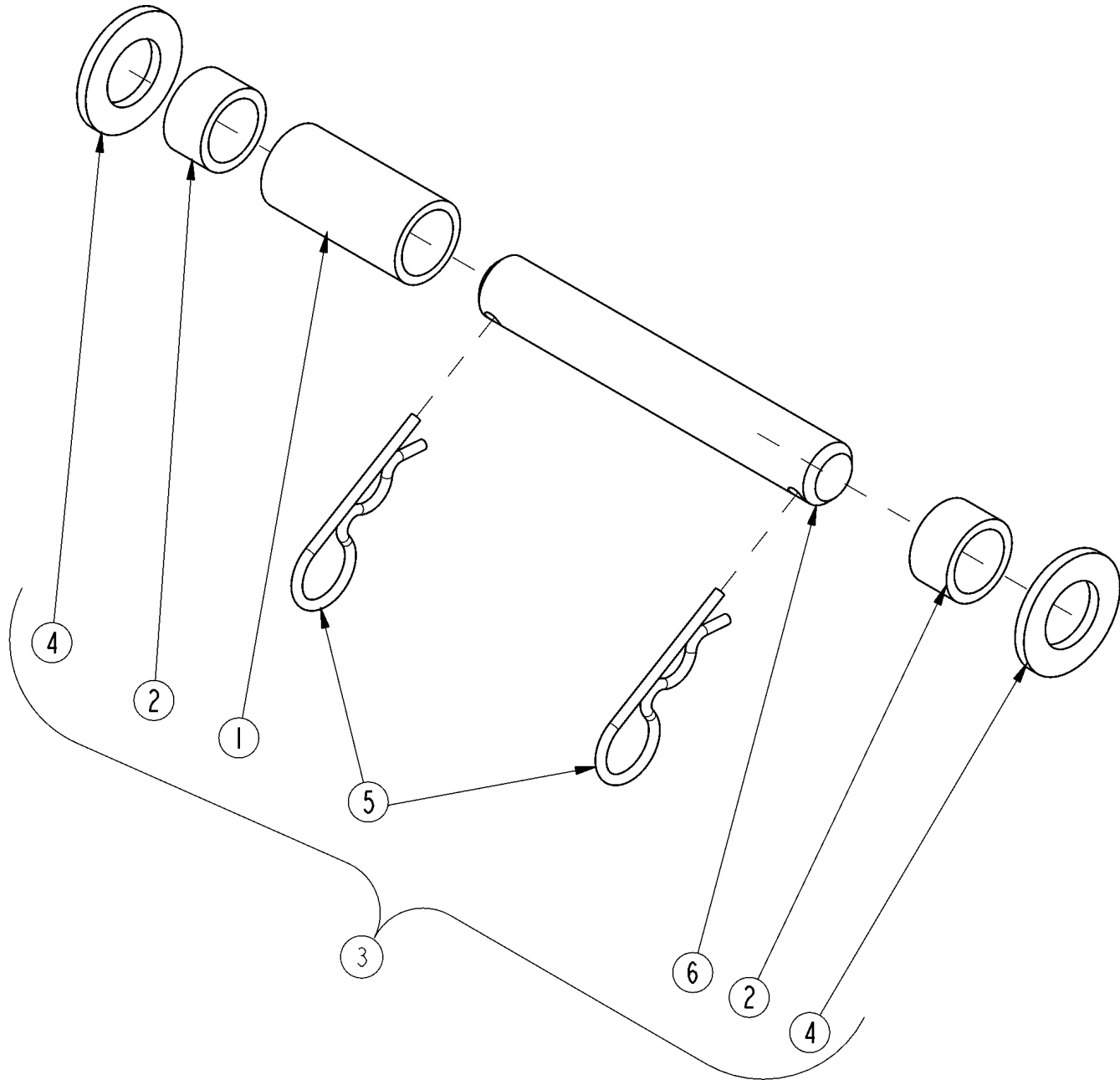
No diagram associated with this Parts List

Land Pride Touch-up Paints**Applies to QH05, QH10, QH15, QH20, QH30**

Ref	Part No.	Part Description	Comments	Revision
1.	821-011C	LP BEIGE SPRAY CAN	Spray can	
1.	821-070C	GLOSS BLACK SPRAY CAN	Spray can	
1.	821-054C	MED. RED SPRAY TRCK/CTR	Spray can	
1.	821-058C	GREEN SPRAY CUTTERS	Spray can	
1.	821-066C	ORANGE SPRAY CAN	Spray can	
1.	821-067C	BLUE SPRAY CAN	Spray can	
1.	821-080C	PAINT ALUMINUM/ZINC SPRAY CAN	Spray can	
2.	821-011CTU	LP BEIGE TOUCH-UP 5OZ	Touch-up bottle with brush	
2.	821-070CTU	GLOSS BLACK TOUCH-UP 5OZ	Touch-up bottle with brush	
2.	821-054CTU	MED RED TOUCH-UP 5OZ	Touch-up bottle with brush	
2.	821-058CTU	GREEN TOUCH-UP 5OZ	Touch-up bottle with brush	
2.	821-066CTU	ORANGE TOUCH-UP 5OZ	Touch-up bottle with brush	
2.	821-067CTU	BLUE TOUCH-UP 5OZ	Touch-up bottle with brush	
2.	821-080CTU	PAINT ALUMINUM/ZINC TOUCH UP	Touch-up bottle with brush	
3.	821-011CQT	LP BEIGE QUART	Quart can	
3.	821-070CQT	GLOSS BLACK QUART	Quart can	
3.	821-054CQT	MED RED QUART	Quart can	
3.	821-058CQT	GREEN QUART	Quart can	
3.	821-066CQT	ORANGE QUART	Quart can	
3.	821-067CQT	BLUE QUART	Quart can	
3.	821-080CQT	PAINT ALUMINUM/ZINC QUART	Quart can	
4.	821-011CGL	LP BEIGE GALLON	Gallon can	
4.	821-070CGL	GLOSS BLACK GALLON	Gallon can	
4.	821-054CGL	MED RED GALLON	Gallon can	
4.	821-058CGL	GREEN GALLON	Gallon can	
4.	821-066CGL	ORANGE GALLON	Gallon can	
4.	821-067CGL	BLUE GALLON	Gallon can	
4.	821-080CGL	PAINT ALUMINUM/ZINC GALLON	Gallon can	

Category 1 Top Pin Adaptor Kit QH20

Applies to QH20



24926

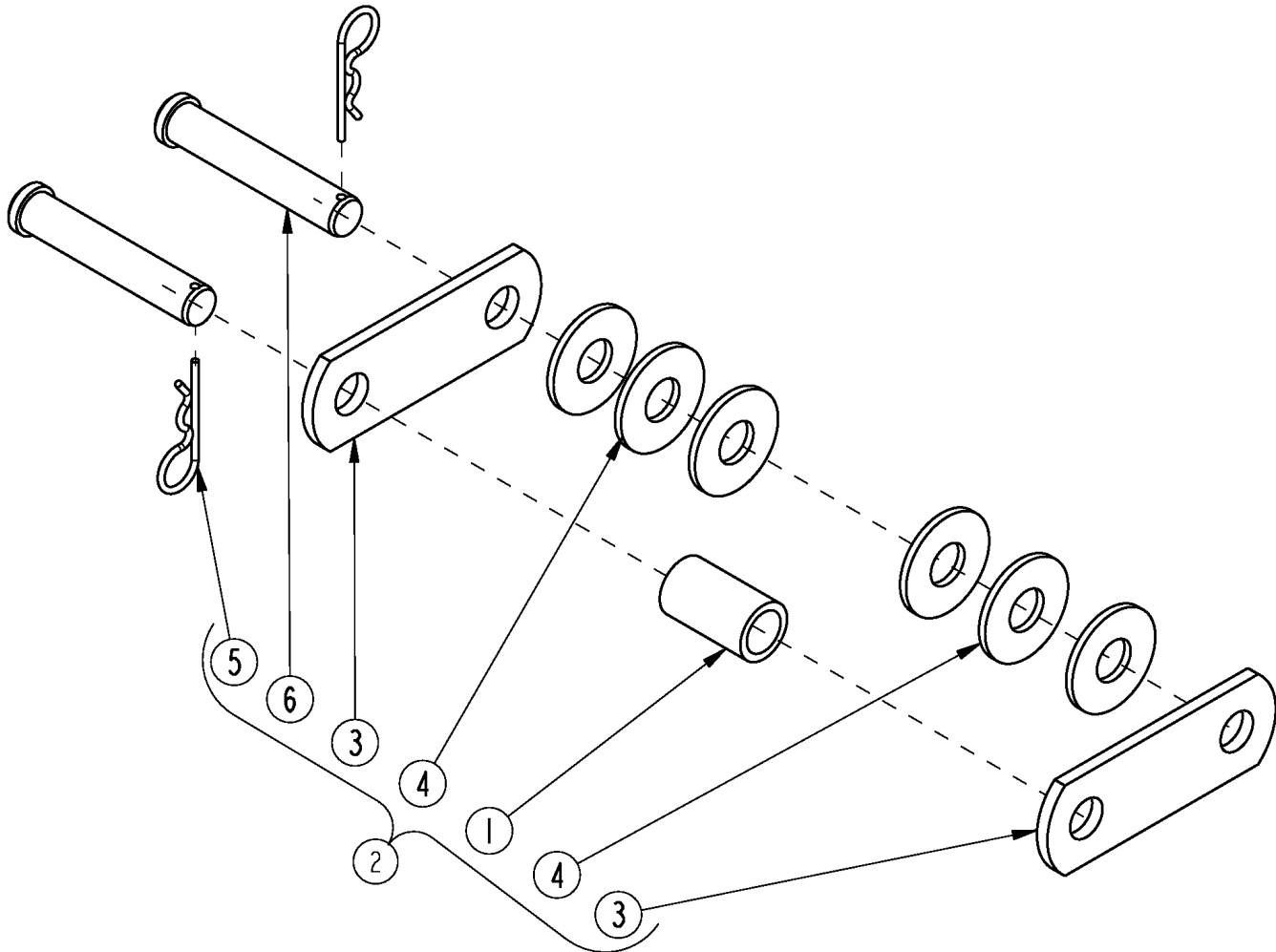
Category 1 Top Pin Adaptor Kit QH20

Applies to QH20

Ref	Part No.	Part Description	Comments	Revision
	dwg24926	Drawing Image Number		
1.	122-076D	PW PIVOT TUBE LONG		
2.	316-233D	PIVOT BUSHING		
3.	320-031A	ADAPT KIT TOP FLOAT CATII-I		
4.	804-025C	WASHER FLAT 3/4 SAE PLT		
5.	805-143C	PIN HAIR COTTER .120 PLT		
6.	805-230C	PIN 3/4 X 4 13/32 USEABLE		

Floating Top Link QH05 & QH10

Applies to QH05, QH10



37044

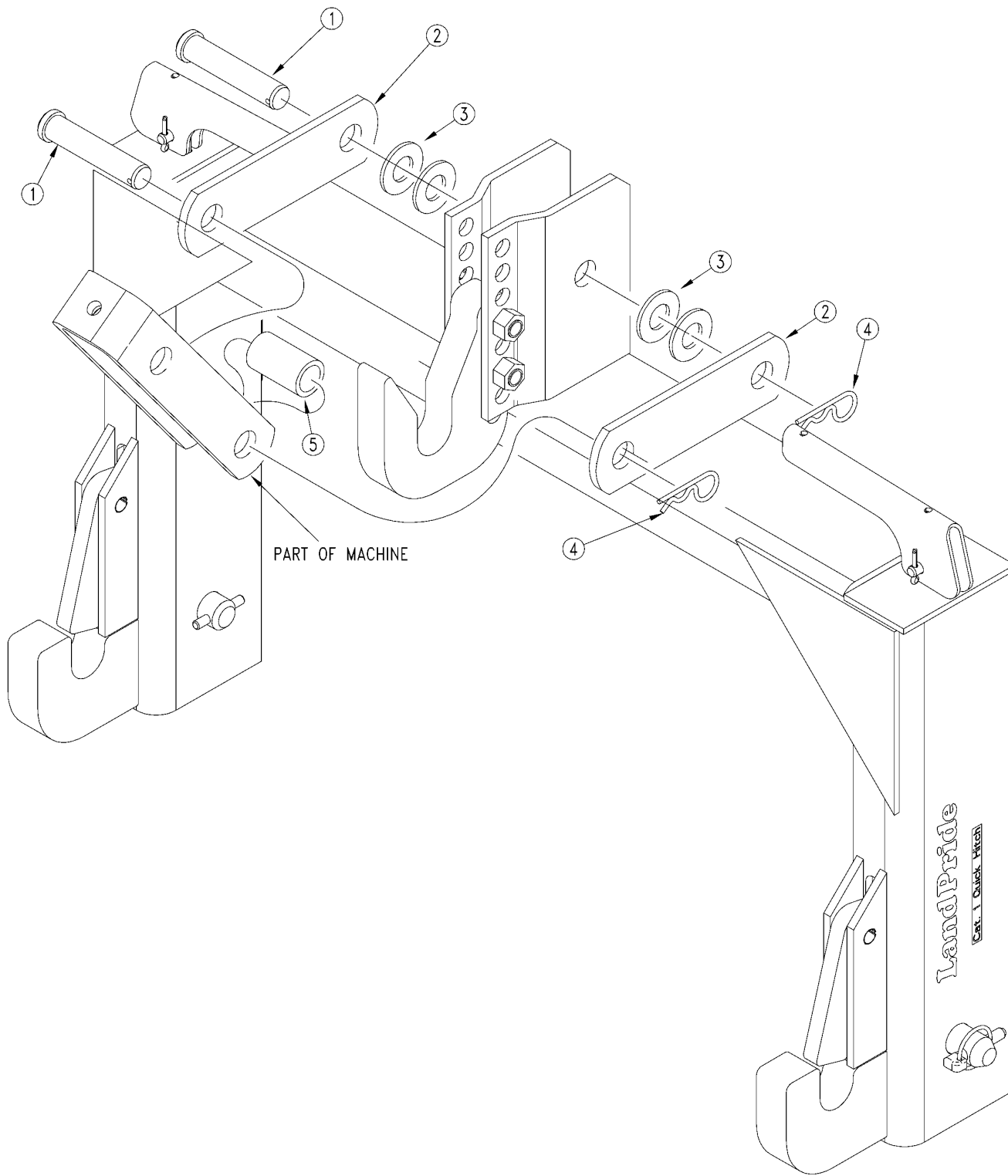
Floating Top Link QH05 & QH10

Applies to QH05, QH10

Ref	Part No.	Part Description	Comments	Revision
	Dwg 37044	Drawing Image Number		
1.	320-035D	FLT TP SPCR1.125ODX.81IDX1.94L		
2.	320-052A	QH05/10 FLOATING TOP LINK ASM		
3.	320-137D	QH05/10 FLOATING TOP LINK BAR		
4.	804-024C	WASHER FLAT 3/4 USS PLT		
5.	805-143C	PIN HAIR COTTER .120 PLT		
6.	805-228C	PIN CLVS .75X3.94 USBL		

Floating Top Link QH15

Applies to QH15



18196

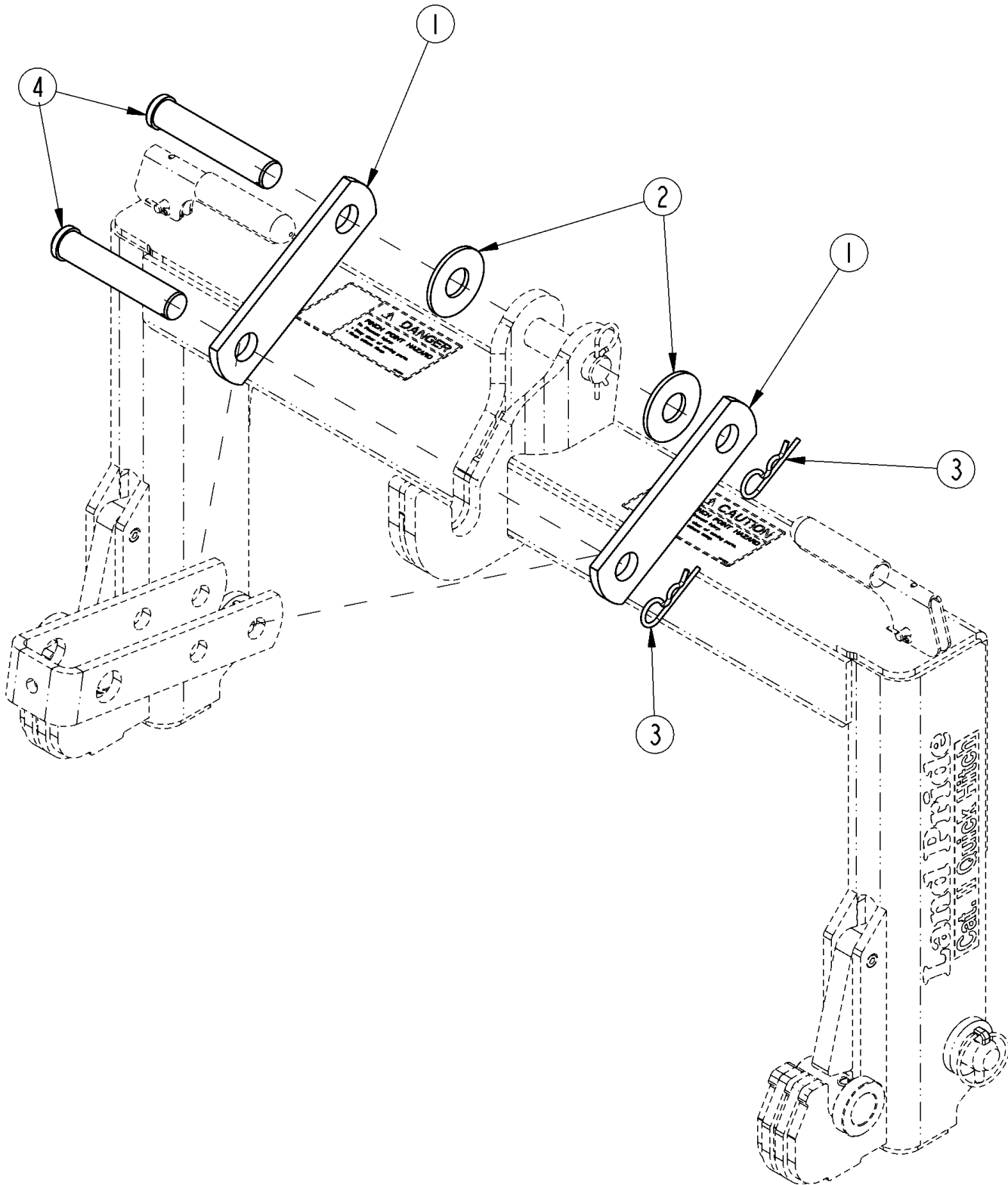
Floating Top Link QH15

Applies to QH15

Ref	Part No.	Part Description	Comments	Revision
	Dwg 18196 320-013A	Drawing Image Number QH FLOATING TOP LINK ASSEMBLY	Includes one each of item 5, two each of items 1, 2, 4 & four each of item 3	
		*		
1.	805-228C	PIN CLVS .75X3.94 USBL		
2.	320-034D	QH FLOATING TOP LINK BAR		
3.	804-024C	WASHER FLAT 3/4 USS PLT		
4.	805-143C	PIN HAIR COTTER .120 PLT		
5.	320-035D	FLT TP SPCR1.125ODX.81IDX1.94L		

Floating Top Link QH20

Applies to QH20



24925

Floating Top Link QH20

Applies to QH20

Ref	Part No.	Part Description	Comments	Revision
	Dwg 24925	Drawing Image Number		
	320-028A	QH20 FLOATING TOP LINK PCKG *		
1.	320-067D	QH FLOATING TOP LINK CAT II		
2.	804-028C	WASHER FLAT 1 USS PLT		
3.	805-032C	PIN HAIR COTTER .148 WIRE		
4.	805-131C	PIN CLVS 1.0X4.69 USBL		



Part Number Index

The Part Number Index is a numeric index of all part numbers included in this manual. The index shows what page(s) the part is used on.

<u>Part Number</u>	<u>Page</u>	<u>Part Number</u>	<u>Page</u>	<u>Part Number</u>	<u>Page</u>
107-027D	9, 11, 13, 15	805-063C	13, 15	Dwg 24923	13
122-076D	29	805-066C	9, 11, 13, 15	Dwg 24925	35
310-020S	7, 11	805-067C	9, 11, 13, 15	Dwg 37042	7
316-233D	29	805-088C	15	Dwg 37043	17
320-001D	9, 11, 13	805-123C	9, 11	Dwg 37044	31
320-001H	11	805-124C	13	Dwg 37446	21
320-001H81	11	805-131C	35	Dwg 37447	23
320-001H82	11	805-142C	9, 11	Dwg 70124	9
320-001H83	11	805-143C	7, 9, 11, 29, 31, 33	Dwg 70125	19
320-004D	11	805-156C	7	Dwg 70318	15
320-004D81	11	805-198C	7, 9	Dwg 70319	25
320-004D82	11	805-228C	31, 33	dwg24926	29
320-004D83	11	805-230C	29		
320-011D	11	805-303C	11		
320-013A	33	805-318C	7		
320-014D	9, 11, 13, 15	805-357C	13		
320-026H	13	805-392C	13		
320-027S	13	805-393C	13		
320-028A	35	805-411C	15		
320-031A	29	807-007C	9, 11, 13, 15		
320-034A	11	807-185C	7		
320-034D	33	807-309C	7		
320-035D	31, 33	817-246C	9, 11, 13, 15		
320-044D	11	818-590C	17, 19, 21, 23, 25		
320-044H	13	818-714C	17, 19, 21, 23, 25		
320-044H81	13	818-866C	19, 21, 23, 25		
320-044H82	13	821-011C	27		
320-044H83	13	821-011CGL	27		
320-045D	11	821-011CQT	27		
320-048D	11	821-011CTU	27		
320-049D	11	821-054C	27		
320-050D	11	821-054CGL	27		
320-051D	11	821-054CQT	27		
320-052A	31	821-054CTU	27		
320-052D	11	821-058C	27		
320-056H	7	821-058CGL	27		
320-056H81	7	821-058CQT	27		
320-056H82	7	821-058CTU	27		
320-056H83	7	821-066C	27		
320-063D	13, 15	821-066CGL	27		
320-067D	35	821-066CQT	27		
320-073D	11	821-066CTU	27		
320-096H	9	821-067C	27		
320-098H	15	821-067CGL	27		
320-109S	7	821-067CQT	27		
320-137D	31	821-067CTU	27		
320-148D	7	821-070C	27		
320-218D	9	821-070CGL	27		
320-222D	15	821-070CQT	27		
320-236D	15	821-070CTU	27		
320-253D	7	821-080C	27		
325-017D	11	821-080CGL	27		
802-079C	7	821-080CQT	27		
802-128C	11	821-080CTU	27		
802-130C	11	838-851C	17		
803-012C	7	838-967C	17		
803-019C	11	848-159C	19, 21, 23, 25		
803-020C	11	858-217C	17		
803-198C	7	858-374C	21		
804-015C	11	858-375C	23		
804-024C	31, 33	858-778C	17		
804-025C	29	858-862C	19		
804-028C	35	858-873C	25		
805-010C	11	890-938C	13		
805-011C	13, 15	890-939C	13		
805-015C	7, 9, 11, 13, 15	890-940C	13		
805-032C	13, 35	890-941C	13		
805-037C	15	Dwg 17287	11		
805-041C	7, 9, 13	Dwg 18196	33		
805-053C	15				

This Page Intentionally Left Blank



Great Plains Manufacturing, Inc.

Corporate Office: P.O. Box 5060
Salina, Kansas 67402-5060 USA

www.landpride.com
