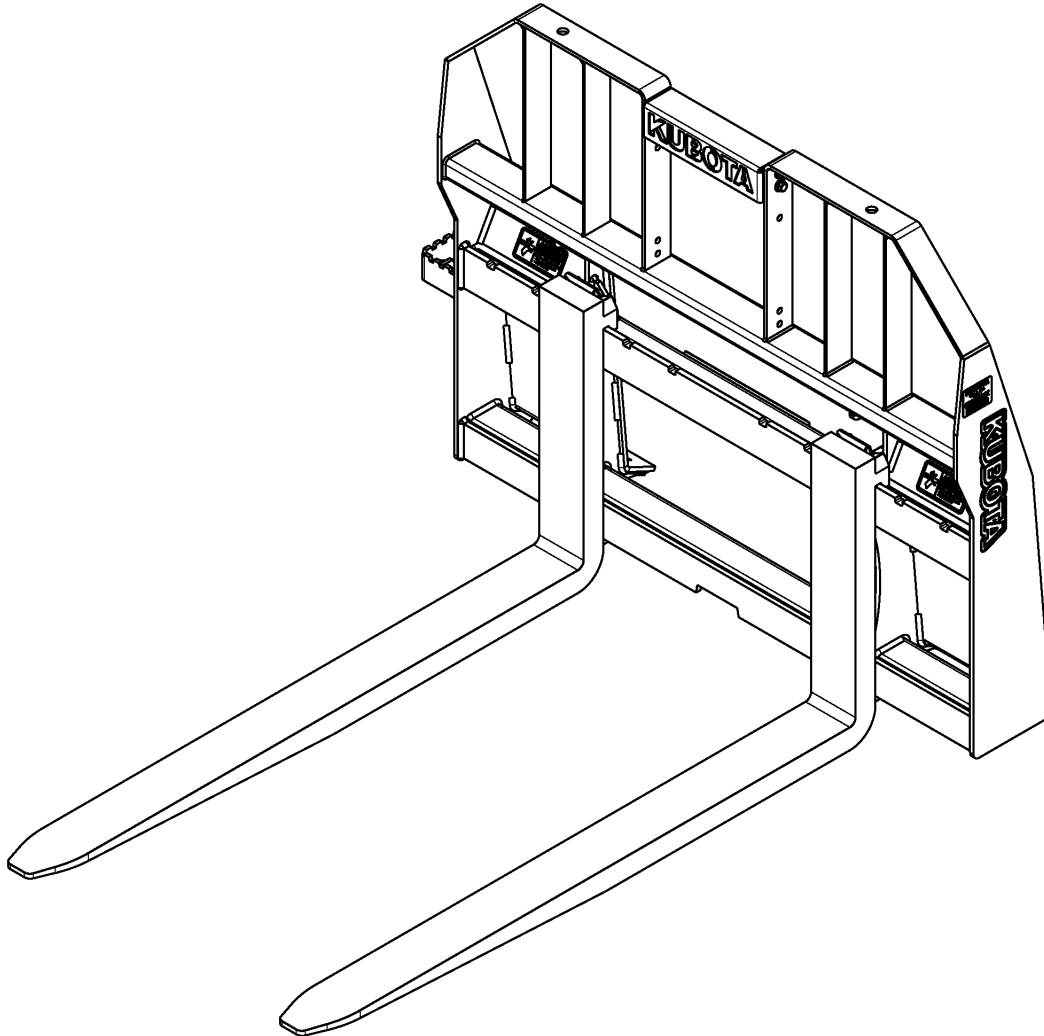


# Pallet Forks

---

**AP-PFL4548, AP-PFL5548, & AP-PFL5560**



37672

**319-038PK**  
**Parts Manual**

**Kubota®**



Read the Operator's Manual entirely. When you see this symbol, the subsequent instructions and warnings are serious - follow without exception. Your life and the lives of others depend on it!

© Copyright 2020 Printed 05/08/20

*Cover photo may show optional equipment not supplied with standard unit.*



# Table of Contents

---

<b>Section 1: Introduction.....</b>	<b>4</b>
Using This Manual.....	4
Manual Replacement Information.....	4
Manual Revisions.....	4
Touch-up Paint.....	4
Hardware Legend.....	5
Replacement Hardware.....	5
Serial Numbers.....	5
Part Number Service Coding.....	5
<b>Section 3: Complete Assembly PFL45 PFL55</b>	
<b>Series.....</b>	<b>6</b>
Complete Assembly Skid Steer Hitch.....	6
Touch-up Paints - Kubota.....	12
<b>Part Number Index.....</b>	<b>14</b>

© Copyright 2020. All rights reserved.

Kubota provides this publication “as is” without warranty of any kind, either expressed or implied. While every precaution has been taken in the preparation of this manual, Kubota assumes no responsibility for errors or omissions. Neither is any liability assumed for damages resulting from the use of the information contained herein. Kubota reserves the right to revise and improve its products as it sees fit. This publication describes the state of this product at the time of its publication, and may not reflect the product in the future. The illustrations in this manual are not intended for safe and proper assembly or disassembly of equipment. The illustrations are intended for ordering parts only.

Kubota is registered trademark.

All other brands and product names are trademarks or registered trademarks of their respective holders.

*Printed in the United States of America.*



# Alphabetized Table of Contents

---

<b>C</b>	
Complete Assembly Skid Steer Hitch.....	6
<b>T</b>	
Touch-up Paints - Kubota.....	12

# General Information

## Using This Manual

This manual is divided into sections. The first section contains General Information. The remaining sections divide the machine into segments (i.e. Frames, Drives, Hydraulics, etc.) which illustrate and list all parts. A Parts Number Index is located at the back of the book.

The Kubota parts in this manual are specially designed for this machine and should be replaced with Kubota parts only.

The information in this manual is current at time of printing. Some parts may change to assure top performance.

Right-hand and left-hand as used in this manual are determined by facing the direction the machine will travel while in use.

Below is an example of two facing pages from a parts manual. Familiarize yourself with the type of information contained on these pages.

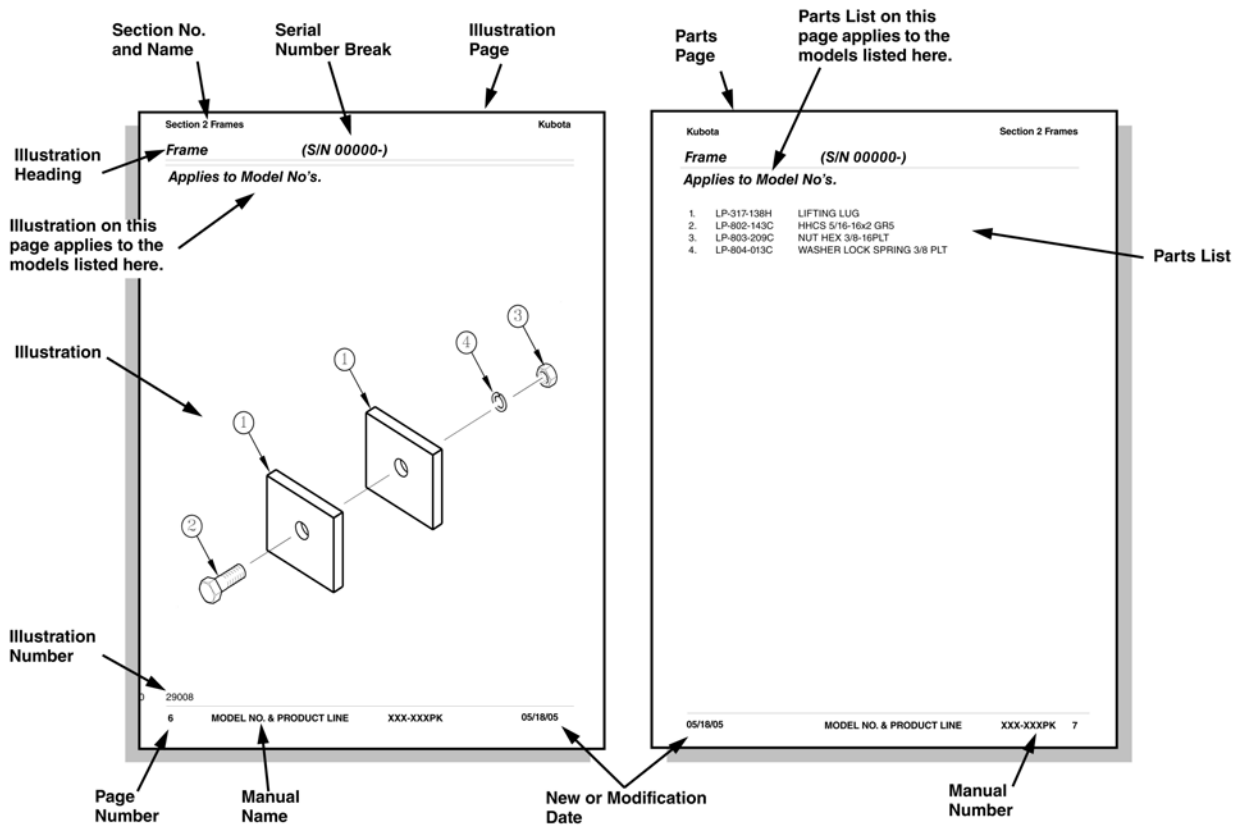
## Manual Replacement Information

Replacement manuals are available. Refer to our website at [www.landpride.com](http://www.landpride.com) for additional information. Our website continues to provide the most up-to-date manuals available.

## Touch-up Paint

Repaint parts where paint is worn or scratched to prevent rust. Aerosol cans and touch-up bottles with brush applicator are available through your local dealer. Also available are quart and gallon size paints. Add QT or GL to end of the Aerosol P/N.

Kubota color descriptions and part numbers are listed on the "Kubota Touch-up Paints" page in the "Decals" section of this book.



# General Information

## Hardware Legend

AR	As Required
BLADE	Blade Bolt
C	Cap Screw
CP	Cotter Pin
CPHSSS	Cup Point Hex Socket Set Screw
CPSHSS	Cup Point Square Head Set Screw
CPSQHSS	Cup Point Square Head Set Screw
CRFCHMS3	Cross Recess Flat Countersunk Head Machine Screw
CRPHMS	Cross Recess Pan Head Machine Screw
CRPHTFS	Cross Recess Pan Head Thread Forming
CRRHMS	Cross Recess Round Head Machine Screw
CRTHMS	Cross Recess Truss Head Machine Screw
CSNB	Countersunk Square Neck Bolt
FHMS	Flat Head Machine Screw
FTC	Full Thread Cap Screw
H	Hex Nut
HCLN	Hex Center Lock Nut
HFLCS	Hex Flange Lock Cap Screw
HFS	Hex Flange Screw
HFSLN	Hex Flange Serrated Lock Nut
HFSS	Hex Flange Serrated Screw
HHCS	Hex Head Cap Screw or Metric Bolt
HSBHCS	Hex Socket Button Head Cap Screw
HSFCHCS	Hex Socket Flat Countersunk Head Cap Screw
HSHCS	Hex Socket Head Cap Screw
HSSS	Hex Socket Head Screw
HTLN	Hex Top Lock Nut
HWHCS	Hex Washer Head Cap Screw

HWHMS	Hex Washer Head Machine Screw
HXBHCS	Hex Socket Button Head Cap Screw
J	Hex Jam Nut
JIC	37 Degree Tapered Thread
L	Helical Spring Lock Washer
LUG	Lug Bolt
NFC	National Fine Cap Screw
NPSM	National Pipe Straight Mechanical
NPTF	National Pipe Taper Fuel
P	Wide Plain Washer
PHMS	Pan Head Machine Screw
PLOW	Plow Bolt
RHMS	Round Head Machine Screw
RHSNB	Round Head Square Neck Bolt
SCREW LEVELING	Leveling Screw
SCREW THUMB	Thumb Screw
SCREW WELD	Weld Screw
SFCHMS	Slotted Flat Countersunk Head Machine Screw
SFHMS	Slotted Fillister Head Machine Screw
SP	Special
SP SCREW	Special Screw
SQHSS	Square Head Set Screw
SRHMS	Slotted Round Head Machine Screw
SSS	Socket Set Screw
STCS	Self Tapping Cap Screw
STHMS	Slotted Truss Head Machine Screw
WHEEL	Wheel Studs and Hub Long Bolts
WING	Wing Bolt

## Replacement Hardware

The **Hardware Legend** above lists hardware abbreviations used in the parts list. All bolts and nuts are Grade 5 unless otherwise noted. The use of improper grades of hardware can result in personal injury, damage to equipment, or loss of property.

## Part Number Service Coding

Within the parts list some part numbers are coded for revisions and interchangeability. See notations in revision column.

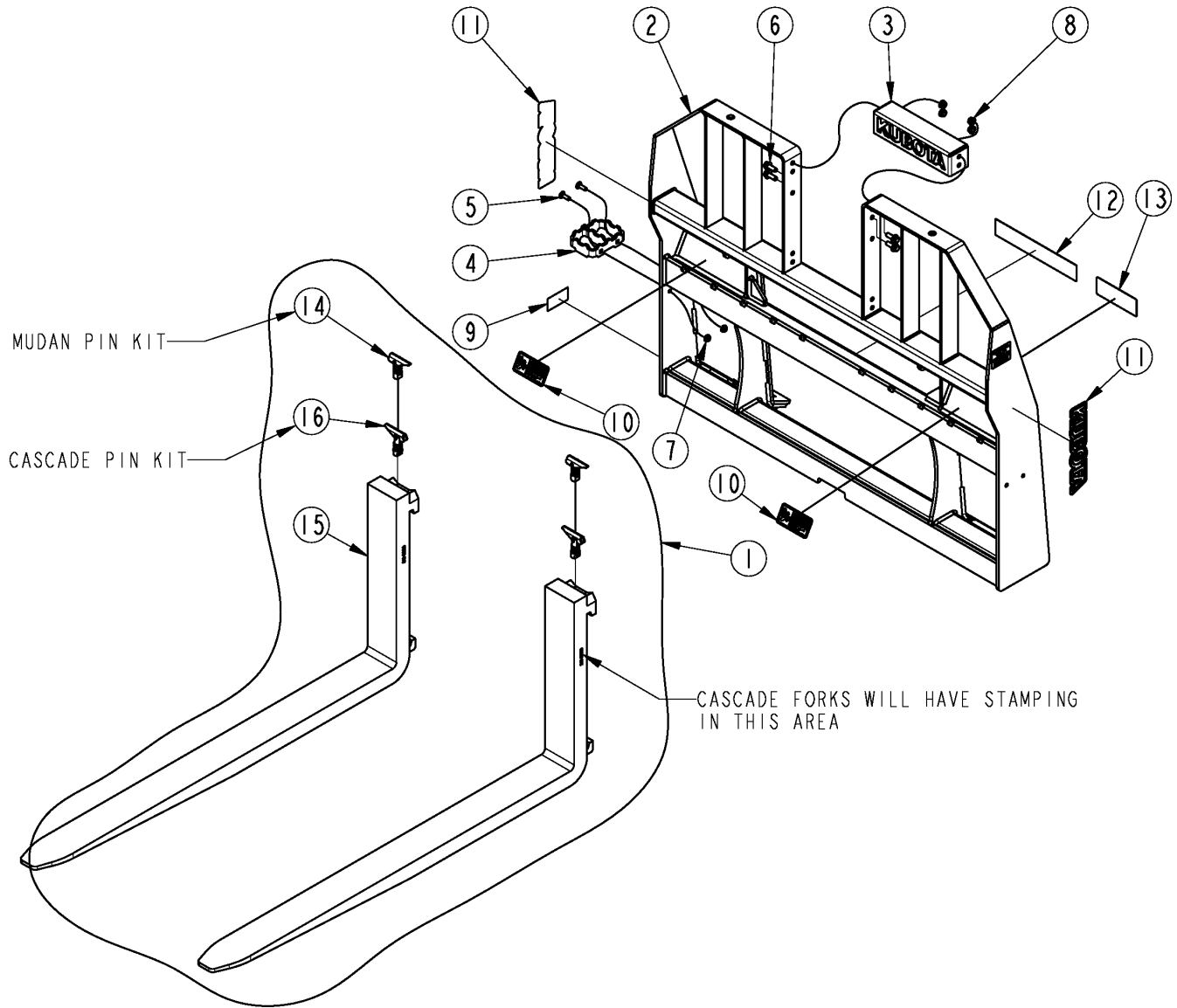
### Serial Numbers

Always use the serial and model number when ordering parts. Refer to the Operator's Manual for serial number plate location.

- (S/N 20001+)                      Includes serial numbers 20001 and above (to the latest number)
- (S/N 10001 to 20000)           Includes serial numbers between and including 10001 and 20000
- (S/N 10000-)                      Includes serial numbers 10000 and below (to the earliest number)

# Complete Assembly Skid Steer Hitch

Applies to AP-PFL4548, AP-PFL5548, AP-PFL5560



**Complete Assembly Skid Steer Hitch****Applies to AP-PFL4548, AP-PFL5548, AP-PFL5560**

Ref	Part No.	Part Description	Comments	Revision
	Dwg 37673	Drawing Image Number		
1.	319-082S	SET,1.77X3.94X48 ITA CL 2A FRK	AP-PFL5548 (Switched to Cascade forks & pin kits)	
1.	319-083S	SET,1.77X3.94X60 ITA CL 2A FRK	AP-PFL5560 (Switched to Cascade forks & pin kits)	
1.	319-047S	SET, 1 1/2X4X48 ITA CL2 FORK	AP-PFL4548 (Switched to Cascade forks & pin kits)	
2.	319-090H	FRAME, MEDIUM PALLET FORK	Weldment revised at S/N 1015003K	
3.	319-130DKB	PLT, KUBOTA		
3.	319-126DA0	PLT, ZIMMERER KUBOTA		
3.	319-126DA1	PLT, WINDHAM TRACTOR		
3.	319-126DA2	PLT, TERRY CO TRACTOR		
3.	319-126DA3	PLT, SOUND TRACTOR		
3.	319-126DA4	PLT, CHICKASAW EQUIPMENT		
3.	319-126DA5	PLT, FAIRPLAIN TRACTOR		
3.	319-126DA6	PLT, HUMPHREY'S OD PWR		
3.	319-126DA7	PLT, SCHERER KUBOTA		
3.	319-126DA8	PLT, KNOXLAND EQUIPMENT		
3.	319-126DA9	PLT, BAR H EQ. & AUC SRV		
3.	319-126DB0	PLT, HOPE TRACTOR		
3.	319-126DB1	PLT, HEART OF TEXAS KUBOTA		
3.	319-126DB2	PLT, J & I POWER EQUIPMENT		
3.	319-126DB3	PLT, LASHLEY TRACTOR		
3.	319-126DB4	PLT, BURKE EQUIPMENT CO		
3.	319-126DB5	PLT, NORFOLK POWER		
3.	319-126DB6	PLT, DORRS EQUIPMENT		
3.	319-126DB7	PLT, B & G EQUIPMENT		
3.	319-126DB8	PLT, KUBOTA CENTER		
3.	319-126DB9	PLT, PARISH TRACTOR		
3.	319-126DC0	PLT, HENARD UTILITY		
3.	319-126DC1	PLT, BONNEVILLE EQUIPMENT		
3.	319-126DC2	PLT, SIX & MANGO		
3.	319-126DC3	PLT, NEWARK KUBOTA		
3.	319-126DC4	PLT, SEAL TRACTOR CO		
3.	319-126DC5	PLT, MB TRACTOR		
3.	319-126DC6	PLT, HLAVINKA EQ		
3.	319-126DC7	PLT, FLORIDA COAST EQUIPMENT		
3.	319-126DC8	PLT, CHAPMAN TRACTOR CO		
3.	319-126DC9	PLT, SHREVEPORT TRACTOR		
3.	319-126DD0	PLT, COASTAL MACHINERY CO		
3.	319-126DD1	PLT, LM		
3.	319-126DD2	PLT, RICER EQ		
3.	319-126DD3	PLT, LEMON'S FARM EQ		
3.	319-126DD4	PLT, BARLOW EQUIPMENT		
3.	319-126DD5	PLT, PLATEAU TRUCK & TRACTOR		
3.	319-126DD6	PLT, KAN EQUIP		
3.	319-126DD7	PLT, WESTERN IMPLEMENT		
3.	319-126DD8	PLT, PIONEER WEST		
3.	319-126DD9	PLT, WC TRACTOR		
3.	319-126DE0	PLT, BENTLEY BROS		
3.	319-126DE1	PLT, NM MACHINERY		
3.	319-126DE2	PLT, CENTRAL KUBOTA		
3.	319-126DE3	PLT, SEALYTRACTOR.COM		
3.	319-126DE4	PLT, TURFTEAM.COM		
3.	319-126DE5	PLT, EMPIRE TRACTOR		
3.	319-126DE6	PLT, BOBBY FORD KUBOTA		
3.	319-126DE7	PLT, DAVID SELF TRACTOR		
3.	319-126DE8	PLT, HAMMER EQUIPMENT		

**Complete Assembly Skid Steer Hitch (continued)****Applies to AP-PFL4548, AP-PFL5548, AP-PFL5560**

<b>Ref</b>	<b>Part No.</b>	<b>Part Description</b>	<b>Comments</b>	<b>Revision</b>
3.	319-126DE9	PLT, GINOP SALES		
3.	319-126DF0	PLT, ROSY BROS		
3.	319-126DF1	PLT, RIDDLE TRACTOR		
3.	319-126DF2	PLT, PATRICK-MILLER TRACTOR		
3.	319-126DF3	PLT, BAGLEY TRACTOR		
3.	319-126DF4	PLT, LOWE TRACTOR		
3.	319-126DF5	PLT, PARCS.COM		
3.	319-126DF6	PLT, TIPTON INTERNATIONAL		
3.	319-126DF7	PLT, PACIFIC TRACTOR		
3.	319-126DF8	PLT, SCHOLTEN'S EQUIPMENT		
3.	319-126DF9	PLT, RMT		
3.	319-126DG0	PLT, FRONT RANGE KUBOTA		
3.	319-126DG1	PLT, SHEPPARDS		
3.	319-126DG2	PLT, JENNINGS EQUIPMENT		
3.	319-126DG3	PLT, DAN'S TRACTOR		
3.	319-126DG4	PLT, MID VALLEY		
3.	319-126DG5	PLT, UV TRACTOR		
3.	319-126DG6	PLT, PARSONS TRACTOR		
3.	319-126DG7	PLT, DEEN KUBOTA		
3.	319-126DG8	PLT, BIG SKY KUBOTA		
3.	319-126DG9	PLT, MCCONNELL MACHINERY CO		
3.	319-126DH0	PLT, RICKREALL FARM SUPPLY		
3.	319-126DH1	PLT, SINK FARM EQUIPMENT		
3.	319-126DH2	PLT, FRANKLIN KUBOTA		
3.	319-126DH3	PLT, WAYDES		
3.	319-126DH4	PLT, ACME		
3.	319-126DH5	PLT, COOPER TRACTOR		
3.	319-126DH6	PLT, WISS & WISS		
3.	319-126DH7	PLT, BAKER IMPLEMENT		
3.	319-126DH8	PLT, MASON TRACTOR CO.		
3.	319-126DH9	PLT, TALLADEGA TRACTOR		
3.	319-126DJ0	PLT, NELSON TRACTOR		
3.	319-126DJ1	PLT, BESHEARS TRACTOR		
3.	319-126DJ2	PLT, CIRCLE C TRACTOR		
3.	319-126DJ3	PLT, PBE		
3.	319-126DJ4	PLT, KUNAU		
3.	319-126DJ5	PLT, LOEWER EQUIPMENT		
3.	319-126DJ6	PLT, OAKDALE MOTORS		
3.	319-126DJ7	PLT, GREEN & SONS		
3.	319-126DJ8	PLT, NELSON TRACTOR CO		
3.	319-126DJ9	PLT, GARTON TRACTOR		
3.	319-126DK0	PLT, UNION FARM EQUIPMENT		
3.	319-126DK1	PLT, BACON UNIVERSAL		
3.	319-126DK2	PLT, ATHENS TRACTOR & EQUIP		
3.	319-126DK3	PLT, MESA TRACTOR		
3.	319-126DK4	PLT, YEARWOOD EQUIPMENT CO.		
3.	319-126DK5	PLT, COLEMAN TRACTOR		
3.	319-126DK6	PLT, HERMANSEN'S EQUIPMENT		
3.	319-126DK7	PLT, JOHNSON CITY KUBOTA		
3.	319-126DK8	PLT, MOUNTAIN KUBOTA		
3.	319-126DK9	PLT, GREENE COUNTY KUBOTA		
3.	319-126DL0	PLT, C & N TRACTORS		
3.	319-126DL1	PLT, PITTSBURG TRACTOR		
3.	319-126DL2	PLT, RUCKER EQUIPMENT		
3.	319-126DL3	PLT, STATE EQUIPMENT		
3.	319-126DL4	PLT, IHK		
3.	319-126DL5	PLT, FEH		
3.	319-126DL6	PLT, FARM-RITE		



**Complete Assembly Skid Steer Hitch (continued)****Applies to AP-PFL4548, AP-PFL5548, AP-PFL5560**

<b>Ref</b>	<b>Part No.</b>	<b>Part Description</b>	<b>Comments</b>	<b>Revision</b>
3.	319-126DL7	PLT, HUNTSVILLE TRACTOR		
3.	319-126DL8	PLT, CAHABA TRACTOR CO.		
3.	319-126DL9	PLT, GENE & MATT TRACTOR SALES		
3.	319-126DM0	PLT, EWALD KUBOTA		
3.	319-126DM1	PLT, DOLK TRACTOR		
3.	319-126DM2	PLT, FULLER TRACTOR		
3.	319-126DM3	PLT, PAULEY EQUIPMENT		
3.	319-126DM4	PLT, PIONEER EQUIPMENT		
3.	319-126DM5	PLT, MURFREESBORO KUBOTA		
3.	319-126DM6	PLT, BOYKIN TRACTOR CO.		
3.	319-126DM7	PLT, ABSOLUTE KUBOTA		
3.	319-126DM8	PLT, SACRAMENTO FOR TRACTORS		
3.	319-126DM9	PLT, PERRIN FARM EQUIPMENT		
3.	319-126DN0	PLT, R.H.I.		
3.	319-126DN1	PLT, CENTRAL EQUIPMENT		
3.	319-126DN2	PLT, FUTCHS TRACTOR DEPOT		
3.	319-126DN3	PLT, PARIS FARM & RANCH		
3.	319-126DN4	PLT, RUSTON TRACTOR		
3.	319-126DN5	PLT, GREEN VALLEY TRACTOR		
3.	319-126DN6	PLT, GULF COAST TRACTOR		
3.	319-126DN7	PLT, GOLD COUNTRY TRACTORS		
3.	319-126DN8	PLT, COASTAL EQUIPMENT SYSTEMS		
3.	319-126DN9	PLT, CRYSTAL TRACTOR		
3.	319-126DO0	PLT, CAROLINA POWER EQUIPMENT		
3.	319-126DO1	PLT, KUBOTA OF THE TRISTATE		
3.	319-126DO2	PLT, ZIMMER TRACTOR		
3.	319-126DO3	PLT, HOLBROOK IMPLEMENT		
3.	319-126DO4	PLT, KUBOTA OF CULPEPER		
3.	319-126DO5	PLT, DICKSON FARM SALES		
3.	319-126DO6	PLT, M V T		
3.	319-126DO7	PLT, CROSBY EQUIPMENT		
3.	319-126DO8	PLT, BANE-WELKER		
3.	319-126DO9	PLT, OVS		
3.	319-126DP0	PLT, HENDRIX MACHINERY		
3.	319-126DP1	PLT, PETERS TRACTOR		
3.	319-126DP2	PLT, WICKHAM TRACTOR		
3.	319-126DP3	PLT, H & R AGRI-POWER		
3.	319-126DP4	PLT, MURPHY FAMILY		
3.	319-126DP5	PLT, BEAUMONT TRACTOR		
3.	319-126DP6	PLT, ALVIN EQ		
3.	319-126DP7	PLT, THOMPSON'S		
3.	319-126DP8	PLT, COLUMBIA KUBOTA		
3.	319-126DP9	PLT, SANDHILL EQUIPMENT		
3.	319-126DQ0	PLT, TEXSTAR KUBOTA		
3.	319-126DQ1	PLT, JAMES BROS		
3.	319-126DQ2	PLT, MFG		
3.	319-126DQ3	PLT, ESI		
3.	319-126DQ4	PLT, DICKINSON EQUIPMENT		
3.	319-126DQ5	PLT, BVT		
3.	319-126DQ6	PLT, MARSHALL		
3.	319-126DQ7	PLT, BAXLA TRACTOR		
3.	319-126DQ8	PLT, M&L INDUSTRIES		
3.	319-126DQ9	PLT, TENNESSEE VALLEY TRACTOR		
3.	319-126DR0	PLT, FARM COUNTRY		
3.	319-126DR1	PLT, HENDERSON IMPLEMENT		
3.	319-126DR2	PLT, ROMANS OUTDOOR POWER		
3.	319-126DR3	PLT, CHOICE KUBOTA		
3.	319-126DR4	PLT, WICHITA TRACTOR CO		

**Complete Assembly Skid Steer Hitch (continued)****Applies to AP-PFL4548, AP-PFL5548, AP-PFL5560**

Ref	Part No.	Part Description	Comments	Revision
3.	319-126DR5	PLT, PREMIER EQUIPMENT		
3.	319-126DR6	PLT, RELIABLE EQUIPMENT		
3.	319-126DR7	PLT, RUWET & SIBLEY		
3.	319-126DR8	PLT, TIMBERLINE		
3.	319-126DR9	PLT, BYRD TRACTOR		
3.	319-126DS0	PLT, ROB'S HYDRAULICS		
3.	319-126DS1	PLT, STAR EQUIPMENT		
3.	319-126DS2	PLT, APEX RENTALS		
3.	319-126DS3	PLT, LAND & COATES		
3.	319-126DS4	PLT, LAMB & WEBSTER		
3.	319-126DS5	PLT, POWERCO		
3.	319-126DS6	PLT, HEARTLAND TRACTOR		
3.	319-126DS7	PLT, SEC		
3.	319-126DS8	PLT, PIEDMONT POWER		
3.	319-126DS9	PLT, FARBELT		
3.	319-126DT0	PLT, GORDON TRACTOR		
3.	319-126DT1	PLT, WINONA TRACTOR		
3.	319-126DT2	PLT, M & R POWER		
3.	319-126DT3	PLT, INDUSTRIAL POWER PRODUCTS		
3.	319-126DT4	PLT, SECURITY EQUIPMENT		
3.	319-126DT5	PLT, DYKES EQUIPMENT		
3.	319-126DT6	PLT, SOUTHSIDE EQUIPMENT		
3.	319-126DT7	PLT, AL'S KUBOTA		
3.	319-126DT8	PLT, NEVADA POWER PRODUCTS		
3.	319-126DT9	PLT, DEVINEY EQUIPMENT		
3.	319-126DU0	PLT, KUBOTA OF FAYETTEVILLE		
3.	319-126DU1	PLT, COLEMAN EQUIPMENT		
3.	319-126DU2	PLT, SOUTH GEORGIA TRACTOR		
3.	319-126DU3	PLT, MORE FARM STORE		
3.	319-126DU4	PLT, WILSON TRACTOR		
3.	319-126DU5	PLT, DIRT N TURF		
3.	319-126DU6	PLT, WOWCO		
3.	319-126DU7	PLT, BONDY'S		
3.	319-126DU8	PLT, LEE TRACTOR CO		
3.	319-126DU9	PLT, KUBOTA OF CHATTANOOGA		
3.	319-126DV0	PLT, PANHANDLE		
3.	319-126DV1	PLT, TRINITY DIESEL		
3.	319-126DV2	PLT, GOLDEN EAGLE EQ		
3.	319-126DV3	PLT, BOB EVANS EQUIPMENT		
3.	319-126DV4	PLT, AP KUBOTA		
3.	319-126DV5	PLT, CAPITAL EQUIPMENT		
3.	319-126DV6	PLT, MOEN		
3.	319-126DV7	PLT, AMIGO MACHINERY		
3.	319-126DV8	PLT, RADKE IMPLEMENT		
3.	319-126DV9	PLT, EMERICH'S		
3.	319-126DW0	PLT, DIAMOND A EQUIPMENT		
3.	319-126DW1	PLT, FLOYD'S KUBOTA		
3.	319-126DW2	PLT, SERVICE MOTOR COMPANY		
3.	319-126DW3	PLT, KAIGE KUBOTA		
4.	350-527D	SKID STEP CASTING BLACK	S/N _____+	
5.	802-282C	RHSNB 5/16-18X1 GR5	S/N _____+	
6.	802-388C	HFS 3/8-16X1 GR5		
7.	803-177C	NUT HEX FLG TP LK 5/16-18ZNYCR	S/N _____+	
8.	803-198C	NUT HEX WHIZ 3/8-16 PLT	S/N 1019136K+	
8.	803-209C	NUT FLANGE LOCK 3/8-16 PLT	S/N 1019135K-	
9.	N/A	DISCONTINUED		
10.	818-798C	DECAL WARNING PINCH POINT GEN		
11.	858-398C	DECAL KUBOTA 10"		

**Complete Assembly Skid Steer Hitch (continued)**

**Applies to AP-PFL4548, AP-PFL5548, AP-PFL5560**

<b>Ref</b>	<b>Part No.</b>	<b>Part Description</b>	<b>Comments</b>	<b>Revision</b>
12.	858-468C	DECAL PFL5548 WHITE		
12.	858-469C	DECAL PFL5560 WHITE		
12.	858-467C	DECAL PFL4548 WHITE		
13.	858-971C	DECAL WARNING SIDE LOAD	S/N 1040337K+	
14.	891-216C	KIT, FORK POSITION LOCK PIN	Mudan pin kit	
15.	N/A	FORK		
16.	891-877C	PIN KIT CASCADE 7032054	Cascade pin kit	

## ***Touch-up Paints - Kubota***

---

Applies to AP-PFL4548, AP-PFL5548, AP-PFL5560

# **No diagram associated with this Parts List**

***Touch-up Paints - Kubota***

---

**Applies to AP-PFL4548, AP-PFL5548, AP-PFL5560**

<b>Ref</b>	<b>Part No.</b>	<b>Part Description</b>	<b>Comments</b>	<b>Revision</b>
1.	821-070C	GLOSS BLACK SPRAY CAN	All Products	
2.	821-070CTU	GLOSS BLACK TOUCH-UP 5OZ		
3.	821-070CQT	GLOSS BLACK QUART		
4.	821-070CGL	GLOSS BLACK GALLON		
5.	821-006C	ORANGE SPRAY CAN	Spray can	
5.	821-066CTU	ORANGE TOUCH-UP 5OZ	Touch-up bottle with brush	
5.	821-066CQT	ORANGE QUART	Quart can	
5.	821-066CGL	ORANGE GALLON	Gallon Can	



# Part Number Index

The Part Number Index is a numeric index of all part numbers included in this manual. The index shows what page(s) the part is used on.

Part Number	Page	Part Number	Page	Part Number	Page	Part Number	Page
319-047S	7	319-126DG6	8	319-126DO6	9	319-126DV6	10
319-082S	7	319-126DG7	8	319-126DO7	9	319-126DV7	10
319-083S	7	319-126DG8	8	319-126DO8	9	319-126DV8	10
319-090H	7	319-126DG9	8	319-126DO9	9	319-126DV9	10
319-126DA0	7	319-126DH0	8	319-126DP0	9	319-126DW0	10
319-126DA1	7	319-126DH1	8	319-126DP1	9	319-126DW1	10
319-126DA2	7	319-126DH2	8	319-126DP2	9	319-126DW2	10
319-126DA3	7	319-126DH3	8	319-126DP3	9	319-126DW3	10
319-126DA4	7	319-126DH4	8	319-126DP4	9	319-130DKB	7
319-126DA5	7	319-126DH5	8	319-126DP5	9	350-527D	10
319-126DA6	7	319-126DH6	8	319-126DP6	9	802-282C	10
319-126DA7	7	319-126DH7	8	319-126DP7	9	802-388C	10
319-126DA8	7	319-126DH8	8	319-126DP8	9	803-177C	10
319-126DA9	7	319-126DH9	8	319-126DP9	9	803-198C	10
319-126DB0	7	319-126DJ0	8	319-126DQ0	9	803-209C	10
319-126DB1	7	319-126DJ1	8	319-126DQ1	9	818-798C	10
319-126DB2	7	319-126DJ2	8	319-126DQ2	9	821-006C	13
319-126DB3	7	319-126DJ3	8	319-126DQ3	9	821-066CGL	13
319-126DB4	7	319-126DJ4	8	319-126DQ4	9	821-066CQT	13
319-126DB5	7	319-126DJ5	8	319-126DQ5	9	821-066CTU	13
319-126DB6	7	319-126DJ6	8	319-126DQ6	9	821-070C	13
319-126DB7	7	319-126DJ7	8	319-126DQ7	9	821-070CGL	13
319-126DB8	7	319-126DJ8	8	319-126DQ8	9	821-070CQT	13
319-126DB9	7	319-126DJ9	8	319-126DQ9	9	821-070CTU	13
319-126DC0	7	319-126DK0	8	319-126DR0	9	858-398C	10
319-126DC1	7	319-126DK1	8	319-126DR1	9	858-467C	11
319-126DC2	7	319-126DK2	8	319-126DR2	9	858-468C	11
319-126DC3	7	319-126DK3	8	319-126DR3	9	858-469C	11
319-126DC4	7	319-126DK4	8	319-126DR4	9	858-971C	11
319-126DC5	7	319-126DK5	8	319-126DR5	10	891-216C	11
319-126DC6	7	319-126DK6	8	319-126DR6	10	891-877C	11
319-126DC7	7	319-126DK7	8	319-126DR7	10	Dwg 37673	7
319-126DC8	7	319-126DK8	8	319-126DR8	10	N/A	10, 11
319-126DC9	7	319-126DK9	8	319-126DR9	10		
319-126DD0	7	319-126DL0	8	319-126DS0	10		
319-126DD1	7	319-126DL1	8	319-126DS1	10		
319-126DD2	7	319-126DL2	8	319-126DS2	10		
319-126DD3	7	319-126DL3	8	319-126DS3	10		
319-126DD4	7	319-126DL4	8	319-126DS4	10		
319-126DD5	7	319-126DL5	8	319-126DS5	10		
319-126DD6	7	319-126DL6	8	319-126DS6	10		
319-126DD7	7	319-126DL7	9	319-126DS7	10		
319-126DD8	7	319-126DL8	9	319-126DS8	10		
319-126DD9	7	319-126DL9	9	319-126DS9	10		
319-126DE0	7	319-126DM0	9	319-126DT0	10		
319-126DE1	7	319-126DM1	9	319-126DT1	10		
319-126DE2	7	319-126DM2	9	319-126DT2	10		
319-126DE3	7	319-126DM3	9	319-126DT3	10		
319-126DE4	7	319-126DM4	9	319-126DT4	10		
319-126DE5	7	319-126DM5	9	319-126DT5	10		
319-126DE6	7	319-126DM6	9	319-126DT6	10		
319-126DE7	7	319-126DM7	9	319-126DT7	10		
319-126DE8	7	319-126DM8	9	319-126DT8	10		
319-126DE9	8	319-126DM9	9	319-126DT9	10		
319-126DF0	8	319-126DN0	9	319-126DU0	10		
319-126DF1	8	319-126DN1	9	319-126DU1	10		
319-126DF2	8	319-126DN2	9	319-126DU2	10		
319-126DF3	8	319-126DN3	9	319-126DU3	10		
319-126DF4	8	319-126DN4	9	319-126DU4	10		
319-126DF5	8	319-126DN5	9	319-126DU5	10		
319-126DF6	8	319-126DN6	9	319-126DU6	10		
319-126DF7	8	319-126DN7	9	319-126DU7	10		
319-126DF8	8	319-126DN8	9	319-126DU8	10		
319-126DF9	8	319-126DN9	9	319-126DU9	10		
319-126DG0	8	319-126DO0	9	319-126DV0	10		
319-126DG1	8	319-126DO1	9	319-126DV1	10		
319-126DG2	8	319-126DO2	9	319-126DV2	10		
319-126DG3	8	319-126DO3	9	319-126DV3	10		
319-126DG4	8	319-126DO4	9	319-126DV4	10		
319-126DG5	8	319-126DO5	9	319-126DV5	10		

***This Page Intentionally Left Blank***



**KUBOTA TRACTOR CORPORATION**

1000 Kubota Drive, Grapevine, TX 76051

Telephone: (817) 756-1171

Western Division: 1175 S. Guild Ave., Lodi, CA 95240  
Telephone: (209) 334-9910

Central Division: 14855 FAA Blvd., Fort Worth, TX 76155  
Telephone: (817) 571-0900

Northern Division: 6300 at One Kubota Way, Groveport, OH 43125  
Telephone: (614) 835-1100

Southeast Division: 1025 Northbrook Parkway, Suwanee, GA 30024  
Telephone: (770) 995-8855

[www.kubota.com](http://www.kubota.com)

---