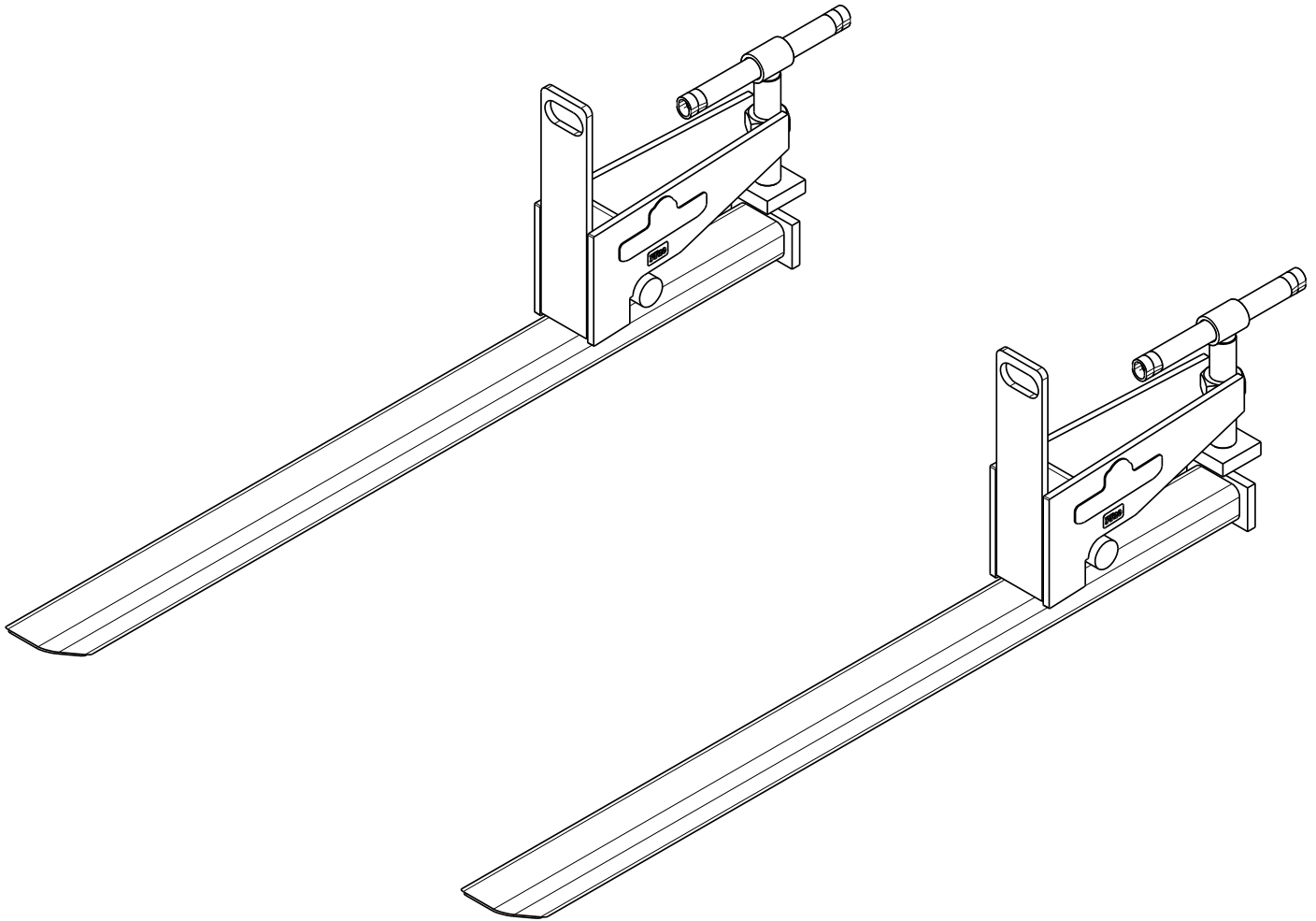


Pallet Forks

PF10 & PF20



25760

319-033M Operator's Manual



Read the Operator's Manual entirely. When you see this symbol, the subsequent instructions and warnings are serious - follow without exception. Your life and the lives of others depend on it!

Cover photo may show optional equipment not supplied with standard unit.

For an Operator's Manual and Decal Kit in French Language, please see your Land Pride dealer.



Machine Identification

Record your machine details in the log below. If you replace this manual, be sure to transfer this information to the new manual.

If you, or the dealer, have added Options not originally ordered with the machine, or removed Options that were originally ordered, the weights and measurements are no longer accurate for your machine. Update the record by adding the machine weight and measurements provided in the Specifications & Capacities Section of this manual with the Option(s) weight and measurements.

Model Number	
Serial Number	
Machine Height	
Machine Length	
Machine Width	
Machine Weight	
Delivery Date	
First Operation	
Accessories	<hr/> <hr/> <hr/>

Dealer Contact Information


Name: _____

Street: _____

City/State: _____

Telephone: _____

Email: _____

 California Proposition 65 WARNING: Cancer and reproductive harm - www.P65Warnings.ca.gov

Important Safety Information 1
Safety at All Times 1
Look for the Safety Alert Symbol 1
Safety Labels 4
Introduction 5
Application 5
Using This Manual 5
Owner Assistance 5
Section 1: Installation 6
Installation 6
Two Pallet Fork Installation 6
Three Pallet Fork Installation 6
Section 2: Operating Procedures 7
Operating Checklist 7
Safety Information 7
Instructions 7
Pallet Fork Operation 8
Picking up a load 8
Traveling with a load 8
Placing a load 8
General Operating Instructions 8
Section 3: Maintenance & Lubrication 9
Maintenance 9
Lubrication 9
Thrusts & Bearing Surface 9
Section 4: Specifications & Capacities 10
Section 5: Features & Benefits 11
Section 6: Torque Values Chart 12
Section 7: Warranty 13



© Copyright 2018 All rights Reserved

Land Pride provides this publication “as is” without warranty of any kind, either expressed or implied. While every precaution has been taken in the preparation of this manual, Land Pride assumes no responsibility for errors or omissions. Neither is any liability assumed for damages resulting from the use of the information contained herein. Land Pride reserves the right to revise and improve its products as it sees fit. This publication describes the state of this product at the time of its publication, and may not reflect the product in the future.

Land Pride is a registered trademark.

All other brands and product names are trademarks or registered trademarks of their respective holders.

Printed in the United States of America.

See previous page for Table of contents.



Parts Manual QR Locator

The QR (Quick Reference) code on the cover and to the left will take you to the Parts Manual for this equipment. Download the appropriate App on your smart phone, open the App, point your phone on the QR code and take a picture.



Dealer QR Locator

The QR code on the left will link you to available dealers for Land Pride products. Refer to Parts Manual QR Locator on this page for detailed instructions.

Listed below are common practices that may or may not be applicable to the products described in this manual.

Safety at All Times

Careful operation is your best assurance against an accident.

All operators, no matter how much experience they may have, should carefully read this manual and other related manuals, or have the manuals read to them, before operating the power machine and this attachment.

- ▲ Thoroughly read and understand the “Safety Label” section. Read all instructions noted on them.
- ▲ Do not operate the equipment while under the influence of drugs or alcohol as they impair the ability to safely and properly operate the equipment.
- ▲ Operator should be familiar with all functions of the tractor/skid steer and attachment and be able to handle emergencies quickly.
- ▲ Make sure all guards and shields appropriate for the operation are in place and secured before operating attachment.
- ▲ Keep all bystanders away from equipment and work area.
- ▲ Start tractor/skid steer from the driver’s seat with steering levers and hydraulic controls in neutral.
- ▲ Operate tractor/skid steer and controls from the driver’s seat only.
- ▲ Never dismount from a moving tractor/skid steer or leave machine unattended with engine running.
- ▲ Do not allow anyone to stand between tractor/skid steer and attachment while hooking-up.
- ▲ Keep hands, feet, and clothing away from power-driven parts.
- ▲ While transporting and operating equipment, watch out for objects overhead and along side such as fences, trees, buildings, wires, etc.
- ▲ Store attachment in an area where children normally do not play. When needed, secure attachment against falling with support blocks.



Look for the Safety Alert Symbol

The SAFETY ALERT SYMBOL indicates there is a potential hazard to personal safety involved and extra safety precaution must be taken. When you see this symbol, be alert and carefully read the message that follows it. In addition to design and configuration of equipment, hazard control, and accident prevention are dependent upon the awareness, concern, prudence, and proper training of personnel involved in the operation, transport, maintenance, and storage of equipment.

Be Aware of Signal Words

A signal word designates a degree or level of hazard seriousness. The signal words are:

DANGER

Indicates a hazardous situation that, if not avoided, will result in death or serious injury.

WARNING

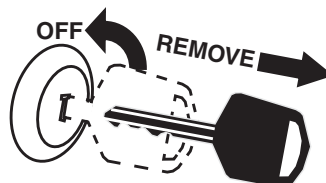
Indicates a hazardous situation that, if not avoided, could result in death or serious injury.

CAUTION

Indicates a hazardous situation that, if not avoided, may result in minor or moderate injury.

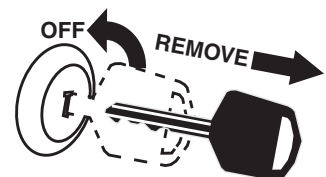
Tractor Shutdown & Storage

- ▲ Reduce engine speed and shut-off all power to the attachment.
- ▲ Park on solid, level ground and lower attachment to ground or onto support blocks.
- ▲ Put tractor in park or set park brake, turn off engine, and remove switch key to prevent unauthorized starting.
- ▲ Relieve all hydraulic pressures.
- ▲ Wait for all components to stop before leaving operator’s seat.
- ▲ Use steps, grab-handles and anti-slip surfaces when stepping on and off the tractor.
- ▲ Detach and store implement in an area where children normally do not play. Secure implement using blocks and supports.



Skid Steer Shutdown And Storage

- ▲ Reduce engine speed and shut-off all power to the attachment.
- ▲ Park on solid, level ground and lower attachment until it is flat on the ground or support blocks.
- ▲ Turn off engine, and remove switch key to prevent unauthorized starting.
- ▲ Relieve all hydraulic pressures.
- ▲ If included, raise seat bar and move controls until both lock.
- ▲ Wait for all components to stop before leaving operator’s seat.
- ▲ Use steps, grab-handles and anti-slip surfaces when stepping on and off the skid steer.
- ▲ Detach and store attachment in an area where children normally do not play. Secure attachment by using blocks and supports.



Listed below are common practices that may or may not be applicable to the products described in this manual.

Safety Precautions for Children

Tragedy can occur if the operator is not alert to the presence of children. Children generally are attracted to attachments and their work.

- ▲ Never assume children will remain where you last saw them.
- ▲ Keep children out of the work area and under the watchful eye of a responsible adult.
- ▲ Be alert and shut the attachment and skid steer/track loader down if children enter the work area.
- ▲ Never carry children on the power machine or attachment. There is not a safe place for them to ride. They may fall off and be run over or interfere with the control of the power machine.
- ▲ Never allow children to operate the power machine, even under adult supervision.
- ▲ Never allow children to play on the power machine or attachment.
- ▲ Use extra caution when backing up. Before the power machine starts to move, look down and behind to make sure the area is clear.

Tire Safety

- ▲ Tire changing can be dangerous and must be performed by trained personnel using the correct tools and equipment.
- ▲ Always maintain correct tire pressure. Do not inflate tires above recommended pressures shown in the Operator's Manual.
- ▲ When inflating tires, use a clip-on chuck and extension hose long enough to allow you to stand to one side and NOT in front of or over the tire assembly. Use a safety cage if available.
- ▲ Securely support the attachment when changing a wheel.
- ▲ When removing and installing wheels, use wheel handling equipment adequate for the weight involved.
- ▲ Make sure wheel bolts have been tightened to the specified torque.

Transport Safely

- ▲ Comply with federal, state, and local laws.
- ▲ Use towing vehicle and trailer of adequate size and capacity. Secure equipment towed on a trailer with tie downs and chains.
- ▲ Sudden braking can cause a towed trailer to swerve and upset. Reduce speed if towed trailer is not equipped with brakes.
- ▲ Avoid contact with any overhead utility lines or electrically charged conductors.
- ▲ Always drive with load on end of loader arms low to the ground.
- ▲ Always drive straight up and down steep inclines with heavy end of skid steer or tractor with loader attachment on the "uphill" side.
- ▲ Engage park brake when stopped on an incline.
- ▲ Maximum transport speed for an attached equipment is 20 mph. DO NOT EXCEED. Never travel at a speed which does not allow adequate control of steering and stopping. Some rough terrains require a slower speed.
- ▲ As a guideline, use the following maximum speed weight ratios for attached equipment:
 - 20 mph when weight of attached equipment is less than or equal to the weight of machine towing the equipment.
 - 10 mph when weight of attached equipment exceeds weight of machine towing equipment but not more than double the weight.
- ▲ **IMPORTANT:** Do not tow a load that is more than double the weight of the vehicle towing the load.



Practice Safe Maintenance

- ▲ Understand procedure before doing work. Refer to the Operator's Manual for additional information.
- ▲ Work on a level surface in a clean dry area that is well-lit.
- ▲ Lower attachment to the ground and follow all shutdown procedures before leaving the operator's seat to perform maintenance.
- ▲ Do not work under any hydraulic supported equipment. It can settle, suddenly leak down, or be lowered accidentally. If it is necessary to work under the equipment, securely support it with stands or suitable blocking beforehand.
- ▲ Use properly grounded electrical outlets and tools.
- ▲ Use correct tools and equipment for the job that are in good condition.
- ▲ Allow equipment to cool before working on it.
- ▲ Disconnect battery ground cable (-) before servicing or adjusting electrical systems or before welding on equipment.
- ▲ Inspect all parts. Make certain parts are in good condition & installed properly.
- ▲ Replace parts on this attachment with genuine Land Pride parts only. Do not alter this attachment in a way which will adversely affect its performance.
- ▲ Do not grease or oil attachment while it is in operation.
- ▲ Remove buildup of grease, oil, or debris.
- ▲ Always make sure any material and waste products from the repair and maintenance of the attachment are properly collected and disposed.
- ▲ Remove all tools and unused parts before operation.



Listed below are common practices that may or may not be applicable to the products described in this manual.

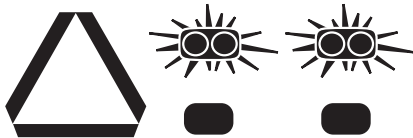
Prepare for Emergencies

- ▲ Be prepared if a fire starts.
- ▲ Keep a first aid kit and fire extinguisher handy.
- ▲ Keep emergency numbers for doctor, ambulance, hospital, and fire department near phone.



Use Safety Lights and Devices

- ▲ Slow moving tractors, skid steers, and self-propelled machines can create a hazard when driven on public roads. They are difficult to see, especially at night. Use the Slow Moving Vehicle (SMV) sign when on public roads.
- ▲ Flashing warning lights and turn signals are recommended whenever driving on public roads.



Avoid Underground Utilities

- ▲ **Dig Safe, Call 811 (USA).** Always contact your local utility companies (electrical, telephone, gas, water, sewer, and others) before digging so that they may mark the location of any underground services in the area.
- ▲ Be sure to ask how close you can work to the marks they positioned.



Wear Personal Protective Equipment (PPE)

- ▲ Wear protective clothing and equipment appropriate for the job such as safety shoes, safety glasses, hard hat, and ear plugs.
- ▲ Clothing should fit snug without fringes and pull strings to avoid entanglement with moving parts.
- ▲ Prolonged exposure to loud noise can cause hearing impairment or hearing loss. Wear suitable hearing protection such as earmuffs or earplugs.
- ▲ Operating equipment safely requires the operator's full attention. Avoid wearing headphones while operating equipment.



Use Seat Belt and ROPS

- ▲ Land Pride recommends the use of a CAB or roll-over-protective-structures (ROPS) and seat belt in almost all power machines. Combination of a CAB or ROPS and seat belt will reduce the risk of serious injury or death if the power machine should be upset.
- ▲ If ROPS is in the locked-up position, fasten seat belt snugly and securely to help protect against serious injury or death from falling and machine overturn.



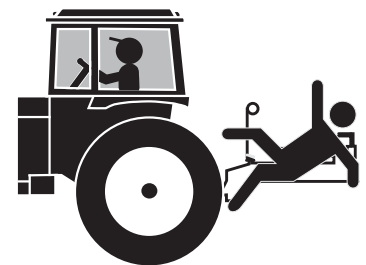
Avoid High Pressure Fluids Hazard

- ▲ Escaping fluid under pressure can penetrate the skin causing serious injury.
- ▲ Relieve all residual pressure before disconnecting hydraulic lines or performing work on the hydraulic system.
- ▲ Make sure all hydraulic fluid connections are tight and all hydraulic hoses and lines are in good condition before applying pressure to the system.
- ▲ Use a piece of paper or cardboard, NOT BODY PARTS, to check for suspected leaks.
- ▲ Wear protective gloves and safety glasses or goggles when working with hydraulic systems.
- ▲ **DO NOT DELAY.** If an accident occurs, see a doctor familiar with this type of injury immediately. Any fluid injected into the skin or eyes must be treated within a few hours or gangrene may result.



Keep Riders Off Machinery

- ▲ Never carry riders on the power machine or attachment.
- ▲ Riders obstruct operator's view and interfere with the control of the power machine.
- ▲ Riders can be struck by objects or thrown from the equipment.
- ▲ Never use power machine or attachment to lift or transport riders.

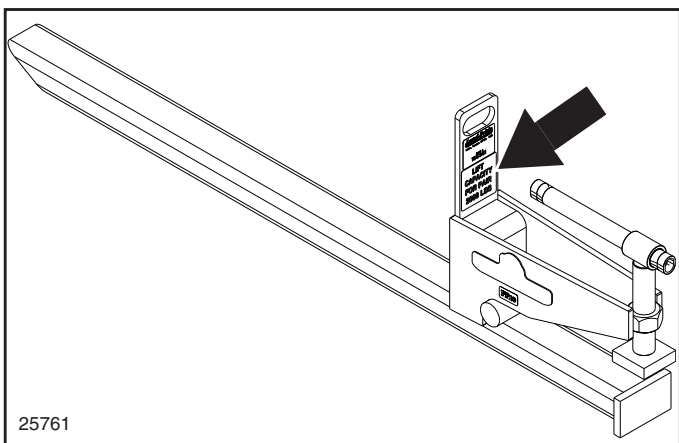


Important Safety Information

Safety Labels

Your Pallet Forks comes equipped with all safety labels in place. They were designed to help you safely operate your implement. Read and follow their directions.

1. Keep all safety labels clean and legible.
2. Refer to this section for proper label placement. Replace all damaged or missing labels. Order new labels from your nearest Land Pride dealer. To find your nearest dealer, visit our dealer locator at www.landpride.com.
3. Some new equipment installed during repair requires safety labels to be affixed to the replaced component as specified by Land Pride. When ordering new components make sure the correct safety labels are included in the request.
4. Refer to this section for proper label placement. To install new labels:
 - a. Clean surface area where label is to be placed.
 - b. Spray soapy water onto the cleaned area.
 - c. Peel backing from label and press label firmly onto the surface.
 - d. Squeeze out air bubbles with edge of a credit card or with a similar type of straight edge.



LIFT
CAPACITY
FOR PAIR
1000 LBS

LIFT
CAPACITY
FOR PAIR
2000 LBS

848-144C

Lift capacity for 1000 lbs rating - PF10 Model

848-143C

Lift capacity for 2000 lbs rating - PF20 Model

Introduction

Land Pride welcomes you to the growing family of new product owners. This Pallet Fork has been designed with care and built by skilled workers using quality materials. Proper assembly, maintenance, and safe operating practices will help you get years of satisfactory use from this Pallet Fork.

Application

The Land Pride PF10 and PF20 Bucket Mounted Pallet Forks have uses and applications in farming, ranching, construction sites, nurseries, campuses, theme parks, salvage operations, warehouses, lumber yards, and large or small retail outlets. They have the capability of turning your tractor or skid steer bucket loader into a forklift for expanded material handling capability. Whether you choose the 1000 lb. capacity PF10 series or 2000 lb. capacity PF20 Series Pallet Forks you'll find that the Land Pride product will save you time and money and make getting the material handling job done a great deal easier.

See “**Specifications & Capacities**” on page 10 and “**Features and Benefits**” on page 11 for additional information and performance enhancing options.

Using This Manual

- This Operator’s Manual is designed to help familiarize the operator with safety, assembly, operation, adjustments, troubleshooting, and maintenance. Read this manual and follow the recommendations to help ensure safe and efficient operation.
- The information contained within this manual was current at the time of printing. Some parts may change slightly to assure you of the best performance.
- To order a new Operator’s or Parts Manual, contact your authorized dealer. Manuals can also be downloaded, free-of-charge, from our website at www.landpride.com

Terminology

“Right” or “Left” as used in this manual is determined by facing forward in the direction the machine will operate while in use unless otherwise stated.

Definitions

IMPORTANT: A special point of information related to the following topic. Land Pride’s intention is this information must be read & noted before continuing.

NOTE: A special point of information that the operator should be aware of before continuing.

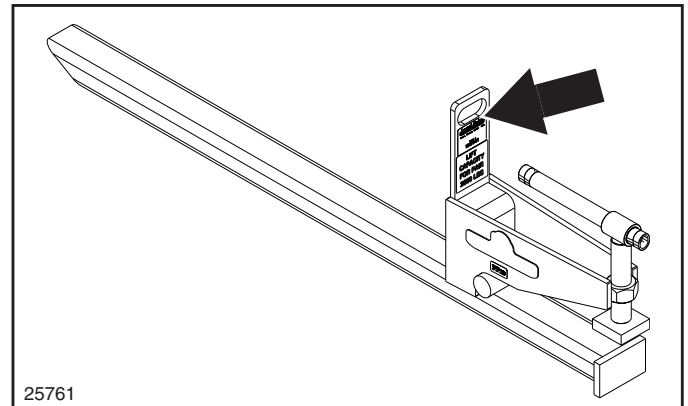
Owner Assistance

The dealer should complete the Online Warranty Registration at the time of purchase. This information is necessary to provide you with quality customer service.

The parts on your Pallet Forks have been specially designed by Land Pride and should only be replaced with genuine Land Pride parts. Contact a Land Pride dealer if customer service or repair parts are required. Your Land Pride dealer has trained personnel, repair parts, and equipment needed to service the implement.

Serial Number

For quick reference and prompt service, record model and serial number on the inside cover page and again on the warranty page. Always provide model number and serial number when ordering parts and in all correspondences with your Land Pride dealer. For location of your serial number plate, see Figure 1.



Serial Number Plate Location
Figure 1

Further Assistance

Your dealer wants you to be satisfied with your new Pallet Forks. If for any reason you do not understand any part of this manual or are not satisfied with the service received, the following actions are suggested:

1. Discuss any problems you have with your implement with your dealership service personnel so they can address the problem.
1. Discuss any problems you have with your attachment with your dealership service personnel so they can address the problem.
2. If you are still not satisfied, seek out the owner or general manager of the dealership, explain the problem, and request assistance.
3. For further assistance write to:

Land Pride Service Department
1525 East North Street

P.O. Box 5060
Salina, Ks. 67402-5060

E-mail address
lp servicedept@landpride.com

Section 1: Installation

Installation

The PF10 and PF20 Pallet Forks are designed for Skid Steer and Tractor Loader buckets.

WARNING

To avoid serious injury or death:

Lightweight power machines may need weight added to the rear to maintain steering control and prevent forward tipping or side tipping caused by a heavy front load. Consult your power machine Operator's Manual to determine proper weight requirements and maximum weight limitations..

IMPORTANT: The throat opening is designed to accommodate a variety of bucket sizes and does not fit tight. Therefore, it is normal for the Pallet Forks to have some movement around the throat opening when not under load.

Two Pallet Fork Installation

Refer to Figure 1-1:

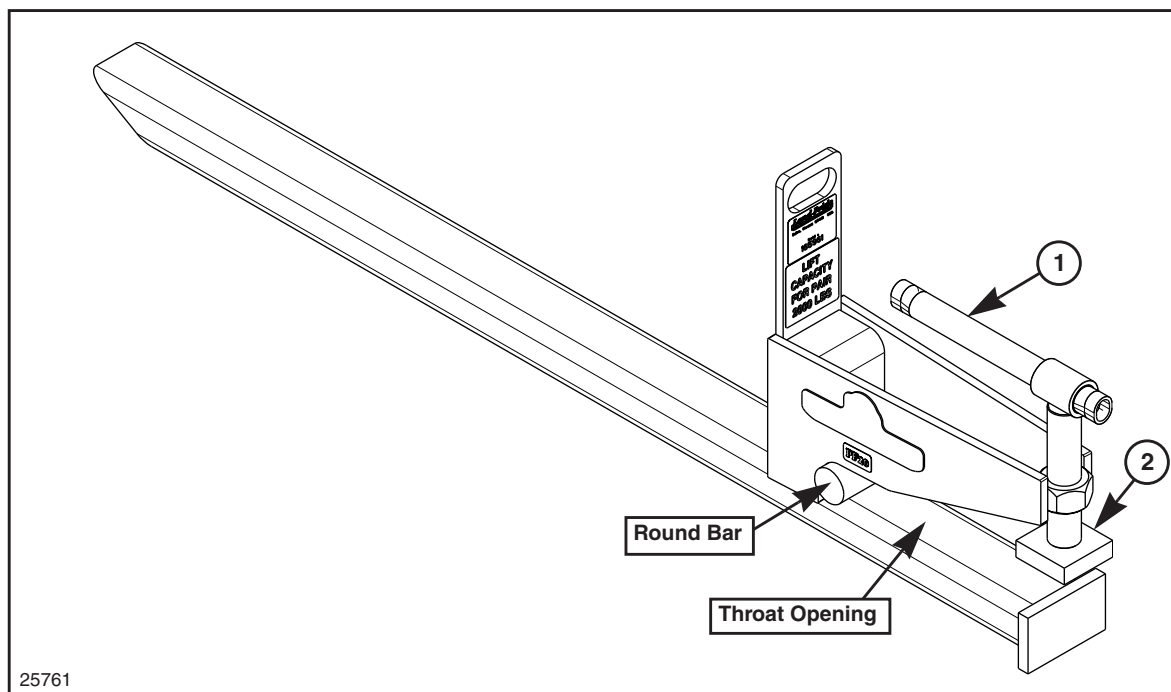
1. Open throat of Pallet Forks by unscrewing swivel pad (#2) with sliding clamp handle (#1).
2. When possible, attach Pallet Fork to a reinforced section of the bucket approximately 8 1/2" right of bucket center. If bucket is equipped with teeth, make sure Pallet Fork is positioned between the teeth.
3. Slide throat of Pallet Fork onto the bucket floor until front of bucket is as far forward as possible under the round bar.

4. Position the other Pallet Fork an equal distance left of bucket center and slide throat of Pallet Fork onto the bucket floor until front of bucket is as far forward as possible under the round bar. If bucket is equipped with teeth, make sure unit is positioned between the teeth.
5. Secure Pallet Forks to the bucket by tightening handles (#1) until swivel pad (#2) is tight against the bucket floor. Do not over-tighten.

Three Pallet Fork Installation

Refer to Figure 1-1:

1. Open throat of Pallet Forks by unscrewing swivel pad (#2) with sliding clamp handle (#1).
2. Center one of the Pallet Forks in the middle of the bucket and slide throat of Pallet Fork onto the bucket floor until front of bucket is as far forward as possible under the round bar. If bucket is equipped with teeth, make sure the unit is positioned between the teeth when sliding it on.
3. Position the other two Pallet Forks an equal distance (8 1/2" or more) left and right of center fork and slide throat of Pallet Forks onto the bucket floor until front of bucket is as far forward under the round bar. If bucket is equipped with teeth, make sure the Pallet Forks are positioned between the teeth when sliding them on.
4. Secure Pallet Forks to the bucket by tightening sliding clamp handles (#1) until swivel pad (#2) is tight against the bucket floor. Do not over-tighten.



Pallet Fork Installation
Figure 1-1

Section 2: Operating Procedures

Operating Checklist

Hazard control and accident prevention are dependent upon the awareness, concern, prudence, and proper training involved in the operation, transport, storage, and maintenance of the Pallet Forks. Therefore, it is absolutely essential that no one operates the Pallet Forks without first having read, fully understood, and become totally familiar with the Operator's Manual. Make sure the operator has paid particular attention to:

- **Important Safety Information**, page 1
- **Section 1: Installation**, page 6
- **Section 2: Operating Procedures**, page 7
- **Section 3: Maintenance & Lubrication**, page 9

Safety Information

DANGER

To avoid serious injury or death:

- *Keep load slightly tilted back when using Pallet Forks. Rotating the front of the Pallet Forks too high can cause the load to shift and fall on the operator and others. Rotating the front of the Pallet Forks level or lower than the back can cause the load to fall forward.*
- *Always keep load centered on the Pallet Forks and machine at all times, even when stopped. Otherwise, the machine could tip or the load could shift and fall causing damage to the machine, load, and injury to yourself and others.*
- *Do not drive up to anyone or an animal in front of a fixed object such as a wall or bench. Never assume that the power machine will stop in time.*
- *Use a "spotter" when it is hard to see in the direction you are traveling and when placing a load that obstructs your vision. A person or animal could be nearby in a blind spot.*
- *Keep bystanders, pets, and livestock away from your work area. Never allow anyone to go near or under the attachment or its load. The attachment and/or load can fall.*
- *Always secure equipment with solid, non-concrete supports before working under it. Never go under equipment supported by concrete blocks or hydraulics. Concrete can break, hydraulic lines can burst, and/or hydraulic controls can be actuated even when power to hydraulics is off.*
- *Keep attachment, loader arms, and/or load away from overhead electrical power lines. Place an orange warning sign under overhead lines indicating type of danger above.*

WARNING

To avoid serious injury or death:

- *Always travel straight up and straight down inclines. Make turns only on level ground.*
- *Backup alarm must be in good working order to warn others. Use a rear-view mirror that is in good condition to help see undesirable situations behind the unit. Drive at a slower speed to compensate for blind spots.*

- *Always transport over ramps and inclines with the heavy end of the power machine on the "uphill" side. This may require one to drive up and back down inclines.*
- *Transporting loads across inclines, over ramps, on bumpy, soft, or slippery surfaces reduces machine stability and lift capacity. Transporting and lifting loads under these conditions is extremely dangerous. Follow all transport instructions in your power machine Operator's Manual.*
- *Lift objects only with pallets. Make sure objects on the pallets are secure. Not using pallets can result in the load falling, damaging the machine and load, and injury to yourself and others.*
- *Do not lift loads that exceed the back height of the bucket or if available, bucket load guard.*
- *Using Pallet Forks will reduced stability of a machine. Always transport a load on the Pallet Forks low to the ground to help maintain stability of the load and machine. Follow recommendations provided by the manufacturer of the machine when adding counter weights and other ballast.*
- *Never carry riders on the attachment or power machine. Riders can obstruct the operator's view, interfere with control of the equipment, be pinched by moving components, become entangled in rotating components, be struck by objects, be thrown or fall from the equipment, etc.*

CAUTION

To avoid minor or moderate injury:

Do not use Pallet Forks for digging, pushing, or pulling objects, and do not use them for lifting objects except on pallets. Misuse of the Pallet Forks can damage the forks and bucket.

Instructions

1. Make sure Pallet Forks are fully on, swivel pads are in good working condition and clamped tight to the bucket.
2. Always know the weight of the load being lifted. Never lift a load exceeding the maximum lift capacity of the Pallet Forks and machine, whichever is less. Maximum lift capacity of the machine should be approximately 17% less than the rated lift capacity due to the increased load stresses caused by the added extension of the Pallet Forks.
3. Always lower Pallet Forks to ground level before dismounting from the machine. Follow manufacturer's recommendations when dismounting and parking the machine.
4. Always store Pallet Forks in a secure position so that they will not fall over.
5. Always stack pallets in such a manner that they will not tip or fall.

Pallet Fork Operation

Picking up a load

1. Make sure the load does not exceed forklift capacity.
2. Center forks under the pallet to evenly distribute the weight.
3. Make sure the load is balanced and secure.
4. Check for overhead obstructions.
5. Stop completely before positioning the forks at the correct height.
6. Drive into the load as far as possible.
7. Lift the load slightly and tilt it back.
8. Back out slowly to clear racks or other obstacles.
9. Lower load to safe traveling height (two to four inches above the floor) before moving.

Traveling with a load

1. Pedestrians always have the right-of-way.
2. Keep the load tilted back slightly.
3. Keep the forks low, two to four inches above the floor, if possible.
4. Continually scan all sides for pedestrians or other traffic.
5. If the load is large and blocks your view, travel in reverse.
6. Always drive at a safe speed and slow down when going around corners. Avoid sudden braking.
7. Leave enough clearance when turning so the Pallet Forks and load do not contact obstacles such as buildings, trees, or fences.
8. When traveling over a ramp or incline, keep the load on the “uphill” side of the forklift.
9. If possible, travel straight up and down on grades, ramps, or inclines, and avoid turning.
10. Lift or lower the load only when stopped, never when traveling.

Placing a load

1. Stop in front of desired location.
2. Slowly raise load to required height.
3. Move forward slowly with load raised.
4. Position load for placement, tilting it forward to level.
5. Place load square and straight.
6. Before backing, check all sides for pedestrians or other traffic.
7. Once the load has settled, back up slowly.
8. Make sure the forks clear the pallet before turning or changing fork height.
9. Lower forks before moving again.

General Operating Instructions

By now you should have familiarized yourself with the operator’s manual for your PF10 or PF20 Bucket Mounted Pallet Forks. If you haven’t, please do so now. Then proceed by getting onto the seat of your tractor or loader and starting it up. It isn’t going to take you long to learn how to use your new Land Pride Pallet Forks, but we do recommend that you take a little time to practice lifting, lowering, maneuvering, and placing an empty pallet on a level site just until you gain enough confidence and skill to develop a good feel for what you are doing. We can not begin to overstress the importance of following the safety operating procedures that are spelled out in the operator’s manual.

As you quickly become more skilled and adept in using your PF10 or PF20 Pallet forks, you will soon learn that “it is always more important to focus on the don’ts than it is to focus on the dos.” For example don’t exceed the lift capacity of your forks, tractor, or loader. Don’t lift your load too high creating an unstable load and unsafe situation. Don’t tilt your load too far backwards, setting up a situation that could cause your load to roll or spill backwards onto you, the tractor and the operator’s platform. Don’t drive too fast for your ground and load conditions. Don’t work on or around slippery or sloped areas that could cause you to lose control of the tractor or the load. Don’t allow pedestrians, pets, or livestock to approach the danger zone of your working area. Don’t leave you tractor or loader with the forks or a load raised off of the ground.

If you follow these few safety reminders you will find that you will quickly become very adept, handy, and skillful at using your PF10 and PF20 Land Pride Pallet Forks. See the Features and Benefits section of this Operator’s Manual for additional information.

Section 3: Maintenance & Lubrication

Maintenance

DANGER

To avoid serious injury or death:

Always secure equipment with solid, non-concrete supports before working under it. Never go under equipment supported by concrete blocks or hydraulics. Concrete can break, hydraulic lines can burst, and/or hydraulic controls can be actuated even when power to hydraulics is off.

WARNING

To avoid serious injury or death:

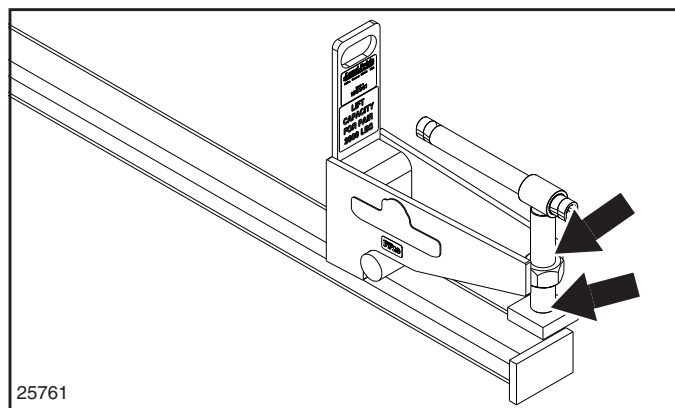
- Perform scheduled maintenance. Check for loose hardware, missing parts, broken parts, structural cracks, and excessive wear. Make repairs before putting implement back into service. Serious breakdowns can result in injury or death.
- Do not alter implement or replace parts on the implement with other brands. Other brands may not fit properly or meet OEM (Original Equipment Manufacturer) specifications. They can weaken the integrity and impair the safety, function, performance, and life of the implement. Replace parts only with genuine OEM parts.

Proper servicing and adjustments are key to the long life of any implement. With careful inspection and routine maintenance, you can avoid costly downtime and repair.

1. After using your Pallet Forks for a few lifts, check clamps to be sure they are tight.
2. Replace any worn, damaged, or illegible safety labels by obtaining new labels from your Land Pride dealer.

Lubrication

Lubrication Legend	Multi-purpose spray lube	Multi-purpose grease lube	Multi-purpose oil lube	50 Hrs Intervals in hours at which lubrication is required
				As Required

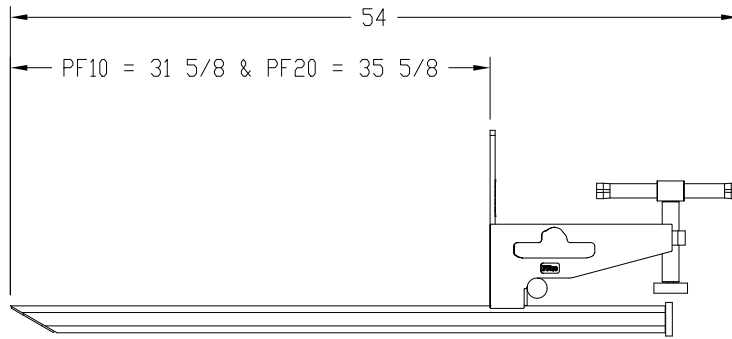
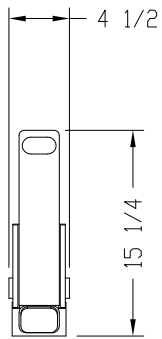


Thrusts & Bearing Surface

Multi-purpose Spray Lube
Quantity = As needed

PF10 & PF20 Pallet Forks

Description	Model PF10	Model PF20
Lift Capacity Per Set of 2 Pallet Forks	1,000 lbs.	2,000 lbs.
Tine Length	31 5/8"	35 5/8"
Weight Each	45 lbs.	55 lbs.
Tine Width	3"	
Tine Height	2"	
Threaded Clamp Rod	1 1/4" - 7"	
Throat Opening	1 1/2"	
Throat Depth	10 3/4"	
Sliding Clamp Handles	9" Arm Length (Center of screw to end of arm)	



26759

PF10 & PF20 Series

Features	Benefits
Large clamp spacing	Stabilizes forks and spreads load across a wider area.
Large sliding clamp handles	Makes clamping easier and ensures tight secure fit.
Tall rear uprights	Keep loads from slipping backwards.
PF10 Fork: 3" x 2" x 3/16" x 31 5/8" Tube PF20 Fork: 3" x 2" x 1/4" x 35 5/8" Tube	Set of two pallet forks are capable of lifting 1,000 lbs. Set of two pallet forks are capable of lifting 2,000 lbs.
Swiveling top and hinged bottom	Ensures easy fit and function.
Two capacities and two sizes	Meets most needs for low cost fork lift handling on customers own front loader or skid steer loader.

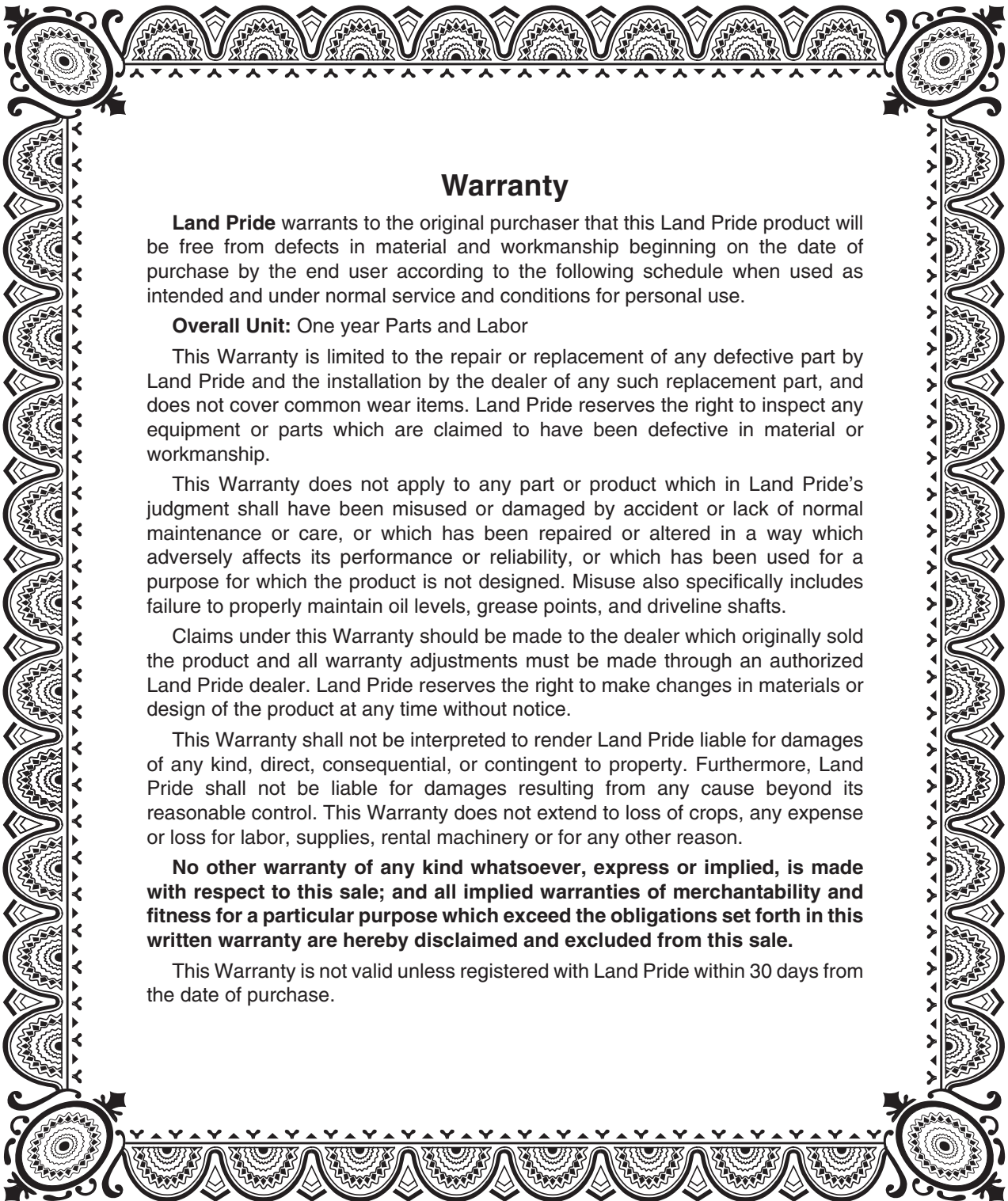
Table of Contents

Section 6: Torque Values Chart



Torque Values Chart For Common Bolt Size													
Bolt Size (inches)	Bolt Head Identification						Bolt Size (Metric)	Bolt Head Identification					
	 Grade 2		 Grade 5		 Grade 8			 Class 5.8		 Class 8.8		 Class 10.9	
in-tpi ¹	N · m ²	ft-lb ³	N · m	ft-lb	N · m	ft-lb	mm x pitch ⁴	N · m	ft-lb	N · m	ft-lb	N · m	ft-lb
1/4" - 20	7.4	5.6	11	8	16	12	M 5 X 0.8	4	3	6	5	9	7
1/4" - 28	8.5	6	13	10	18	14	M 6 X 1	7	5	11	8	15	11
5/16" - 18	15	11	24	17	33	25	M 8 X 1.25	17	12	26	19	36	27
5/16" - 24	17	13	26	19	37	27	M 8 X 1	18	13	28	21	39	29
3/8" - 16	27	20	42	31	59	44	M10 X 1.5	33	24	52	39	72	53
3/8" - 24	31	22	47	35	67	49	M10 X 0.75	39	29	61	45	85	62
7/16" - 14	43	32	67	49	95	70	M12 X 1.75	58	42	91	67	125	93
7/16" - 20	49	36	75	55	105	78	M12 X 1.5	60	44	95	70	130	97
1/2" - 13	66	49	105	76	145	105	M12 X 1	90	66	105	77	145	105
1/2" - 20	75	55	115	85	165	120	M14 X 2	92	68	145	105	200	150
9/16" - 12	95	70	150	110	210	155	M14 X 1.5	99	73	155	115	215	160
9/16" - 18	105	79	165	120	235	170	M16 X 2	145	105	225	165	315	230
5/8" - 11	130	97	205	150	285	210	M16 X 1.5	155	115	240	180	335	245
5/8" - 18	150	110	230	170	325	240	M18 X 2.5	195	145	310	230	405	300
3/4" - 10	235	170	360	265	510	375	M18 X 1.5	220	165	350	260	485	355
3/4" - 16	260	190	405	295	570	420	M20 X 2.5	280	205	440	325	610	450
7/8" - 9	225	165	585	430	820	605	M20 X 1.5	310	230	650	480	900	665
7/8" - 14	250	185	640	475	905	670	M24 X 3	480	355	760	560	1050	780
1" - 8	340	250	875	645	1230	910	M24 X 2	525	390	830	610	1150	845
1" - 12	370	275	955	705	1350	995	M30 X 3.5	960	705	1510	1120	2100	1550
1-1/8" - 7	480	355	1080	795	1750	1290	M30 X 2	1060	785	1680	1240	2320	1710
1-1/8" - 12	540	395	1210	890	1960	1440	M36 X 3.5	1730	1270	2650	1950	3660	2700
1-1/4" - 7	680	500	1520	1120	2460	1820	M36 X 2	1880	1380	2960	2190	4100	3220
1-1/4" - 12	750	555	1680	1240	2730	2010	¹ in-tpi = nominal thread diameter in inches-threads per inch ² N · m = newton-meters ³ ft-lb= foot pounds ⁴ mm x pitch = nominal thread diameter in millimeters x thread pitch						
1-3/8" - 6	890	655	1990	1470	3230	2380							
1-3/8" - 12	1010	745	2270	1670	3680	2710							
1-1/2" - 6	1180	870	2640	1950	4290	3160							
1-1/2" - 12	1330	980	2970	2190	4820	3560							

Torque tolerance + 0%, -15% of torquing values. Unless otherwise specified use torque values listed above.



Warranty

Land Pride warrants to the original purchaser that this Land Pride product will be free from defects in material and workmanship beginning on the date of purchase by the end user according to the following schedule when used as intended and under normal service and conditions for personal use.

Overall Unit: One year Parts and Labor

This Warranty is limited to the repair or replacement of any defective part by Land Pride and the installation by the dealer of any such replacement part, and does not cover common wear items. Land Pride reserves the right to inspect any equipment or parts which are claimed to have been defective in material or workmanship.

This Warranty does not apply to any part or product which in Land Pride's judgment shall have been misused or damaged by accident or lack of normal maintenance or care, or which has been repaired or altered in a way which adversely affects its performance or reliability, or which has been used for a purpose for which the product is not designed. Misuse also specifically includes failure to properly maintain oil levels, grease points, and driveline shafts.

Claims under this Warranty should be made to the dealer which originally sold the product and all warranty adjustments must be made through an authorized Land Pride dealer. Land Pride reserves the right to make changes in materials or design of the product at any time without notice.

This Warranty shall not be interpreted to render Land Pride liable for damages of any kind, direct, consequential, or contingent to property. Furthermore, Land Pride shall not be liable for damages resulting from any cause beyond its reasonable control. This Warranty does not extend to loss of crops, any expense or loss for labor, supplies, rental machinery or for any other reason.

No other warranty of any kind whatsoever, express or implied, is made with respect to this sale; and all implied warranties of merchantability and fitness for a particular purpose which exceed the obligations set forth in this written warranty are hereby disclaimed and excluded from this sale.

This Warranty is not valid unless registered with Land Pride within 30 days from the date of purchase.

IMPORTANT: The Online Warranty Registration should be completed by the dealer at the time of purchase. This information is necessary to provide you with quality customer service.

Model Number _____

Serial Number _____



Corporate Office: P.O. Box 5060
Salina, Kansas 67402-5060 USA
www.landpride.com
