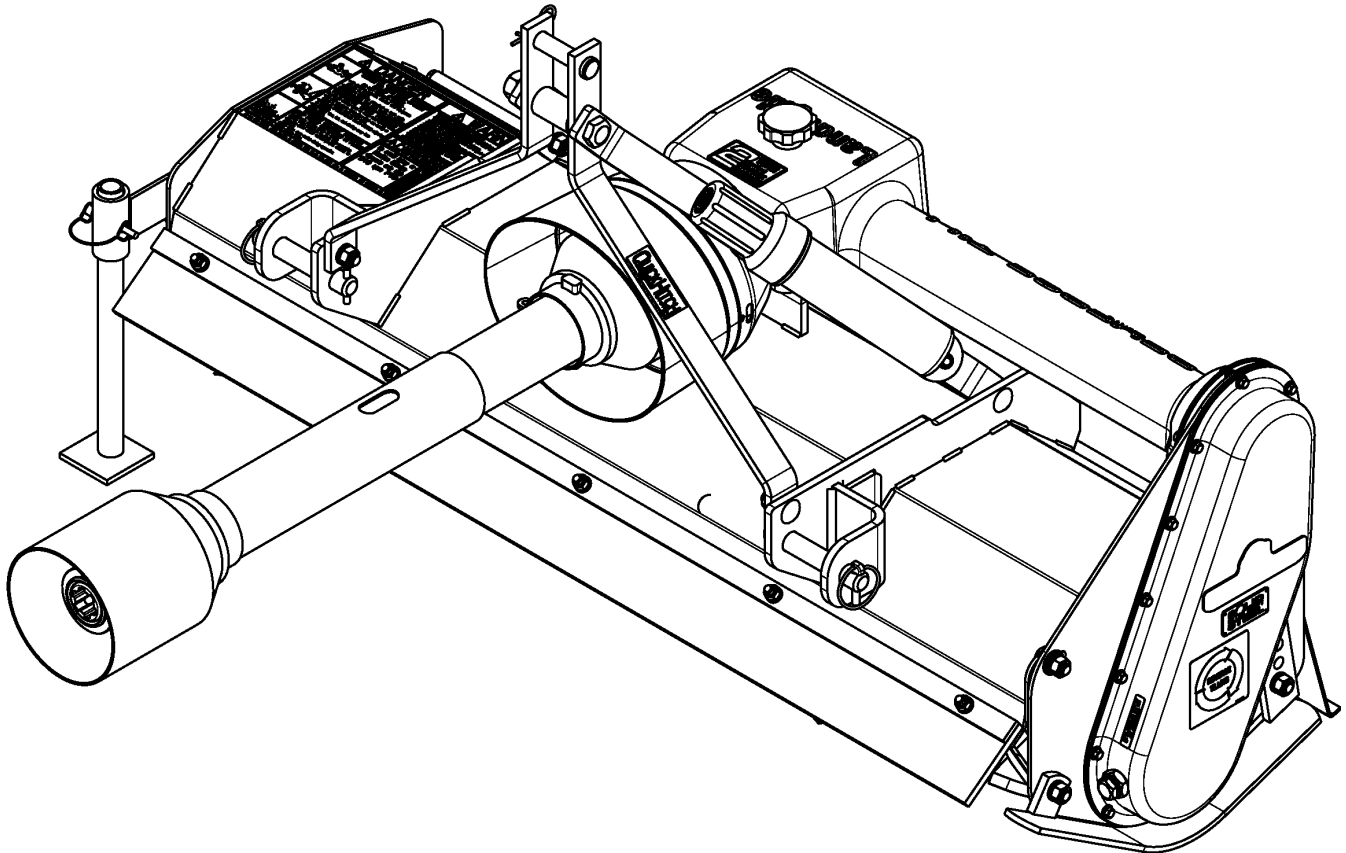


Rotary Tillers

RTR0542 & RTR0550



23769

311-464P **Parts Manual**



Read the Operator's Manual entirely. When you see this symbol, the subsequent instructions and warnings are serious - follow without exception. Your life and the lives of others depend on it!

© Copyright 2019 Printed 08/23/19

Cover photo may show optional equipment not supplied with standard unit.





Table of Contents

Section 1: Introduction.....	4
Using This Manual.....	4
Manual Replacement Information.....	4
Manual Revisions.....	4
Touch-up Paint.....	4
Hardware Legend.....	5
Replacement Hardware.....	5
Serial Numbers.....	5
Part Number Service Coding.....	5
Section 2: Frame.....	6
Deflector Front and Rear.....	6
Frame & Hitch S/N 1023708-.....	8
Frame & Hitch S/N 1023709+.....	12
Section 3: Rotor.....	15
Rotor Assembly.....	16
Section 4: Drive.....	18
Drive Components.....	18
Driveline with Clutch (826-505C) Comer.....	20
Driveline with Shear Bolt (826-500C) Comer.....	22
Driveline with Shear Bolt (826-500C) Eurocardan.....	24
Gearbox Comer 826-473C.....	26
Section 5: Decals.....	28
Decal Placement.....	28
Land Pride Touch-up Paints.....	30
Part Number Index.....	32

© Copyright 2019. All rights reserved.

Land Pride provides this publication “as is” without warranty of any kind, either expressed or implied. While every precaution has been taken in the preparation of this manual, Land Pride assumes no responsibility for errors or omissions. Neither is any liability assumed for damages resulting from the use of the information contained herein. Land Pride reserves the right to revise and improve its products as it sees fit. This publication describes the state of this product at the time of its publication, and may not reflect the product in the future. The illustrations in this manual are not intended for safe and proper assembly or disassembly of equipment. The illustrations are intended for ordering parts only.

Land Pride is registered trademark.

All other brands and product names are trademarks or registered trademarks of their respective holders.

Printed in the United States of America.



Alphabetized Table of Contents

D

Decal Placement.....	28
Deflector Front and Rear.....	6
Drive Components.....	18
Driveline with Clutch (826-505C) Comer.....	20
Driveline with Shear Bolt (826-500C) Comer.....	22
Driveline with Shear Bolt (826-500C) Eurocardan.....	24

F

Frame & Hitch S/N 1023708-.....	8
Frame & Hitch S/N 1023709+.....	12

G

Gearbox Comer 826-473C.....	26
-----------------------------	----

L

Land Pride Touch-up Paints.....	30
---------------------------------	----

R

Rotor Assembly.....	16
---------------------	----

General Information

Using This Manual

This manual is divided into sections. The first section contains General Information. The remaining sections divide the machine into segments (i.e. Frames, Drives, Hydraulics, etc.) which illustrate and list all parts. A Parts Number Index is located at the back of the book.

The Land Pride parts in this manual are specially designed for this machine and should be replaced with Land Pride parts only.

The information in this manual is current at time of printing. Some parts may change to assure top performance.

Right-hand and left-hand as used in this manual are determined by facing the direction the machine will travel while in use.

Below is an example of two facing pages from a parts manual. Familiarize yourself with the type of information contained on these pages.

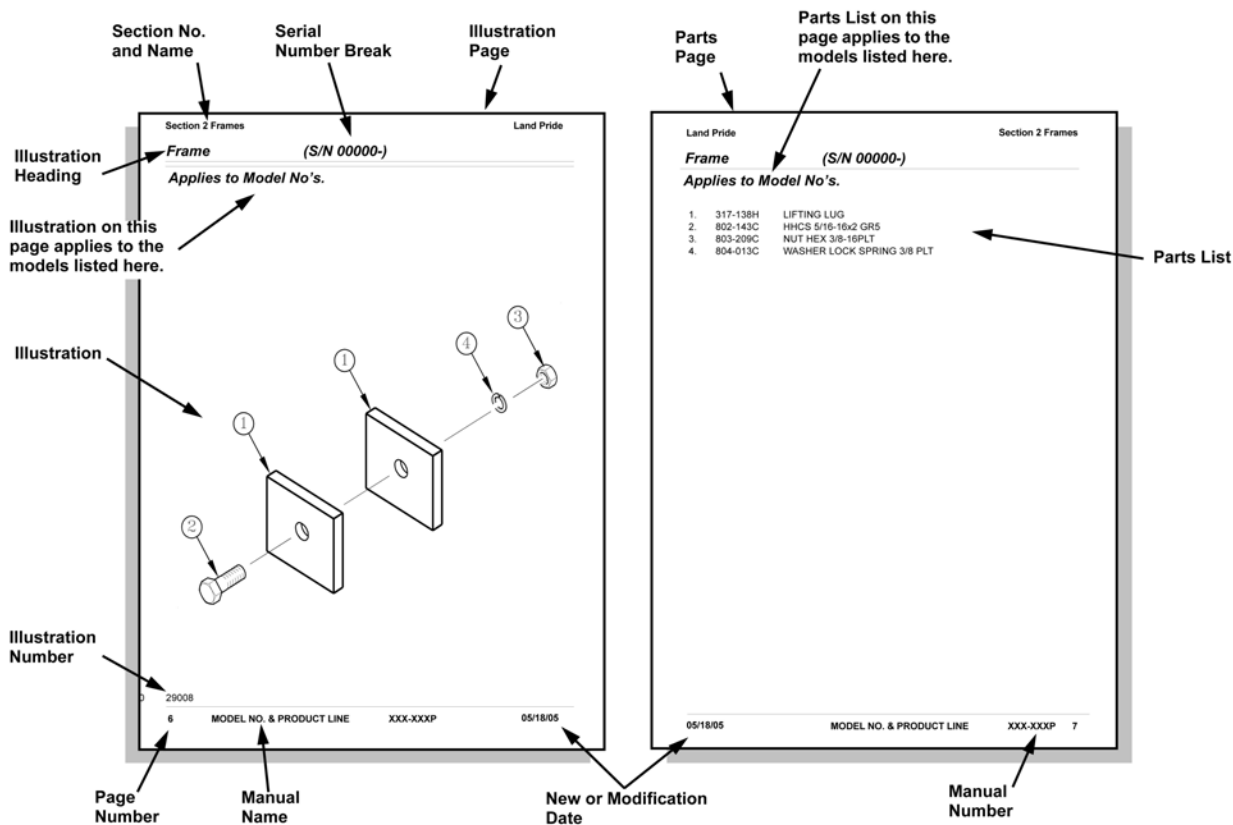
Manual Replacement Information

Replacement manuals are available. Refer to our website at www.landpride.com or e-mail us at lit@landpride.com for additional information. Our website continues to provide the most up-to-date manuals available.

Touch-up Paint

Repaint parts where paint is worn or scratched to prevent rust. Aerosol cans and touch-up bottles with brush applicator are available through your local dealer. Also available are quart and gallon size paints. Add QT or GL to end of the Aerosol P/N.

Land Pride color descriptions and part numbers are listed on the "Land Pride Touch-up Paints" page in the "Decals" section of this book. Color options vary by product.



General Information

Hardware Legend

AR	As Required
BLADE	Blade Bolt
C	Cap Screw
CP	Cotter Pin
CPHSSS	Cup Point Hex Socket Set Screw
CPSHSS	Cup Point Square Head Set Screw
CPSQHSS	Cup Point Square Head Set Screw
CRFCHMS3	Cross Recess Flat Countersunk Head Machine Screw
CRPHMS	Cross Recess Pan Head Machine Screw
CRPHTF	Cross Recess Pan Head Thread Forming
CRRHMS	Cross Recess Round Head Machine Screw
CRTHMS	Cross Recess Truss Head Machine Screw
CSNB	Countersunk Square Neck Bolt
FHMS	Flat Head Machine Screw
FTC	Full Thread Cap Screw
H	Hex Nut
HCLN	Hex Center Lock Nut
HFLCS	Hex Flange Lock Cap Screw
HFS	Hex Flange Screw
HFSLN	Hex Flange Serrated Lock Nut
HFSS	Hex Flange Serrated Screw
HHCS	Hex Head Cap Screw or Metric Bolt
HSBHCS	Hex Socket Button Head Cap Screw
HSFCHCS	Hex Socket Flat Countersunk Head Cap Screw
HSHCS	Hex Socket Head Cap Screw
HSSS	Hex Socket Head Screw
HTLN	Hex Top Lock Nut
HWHCS	Hex Washer Head Cap Screw

HWHMS	Hex Washer Head Machine Screw
HXBHCS	Hex Socket Button Head Cap Screw
J	Hex Jam Nut
JIC	37 Degree Tapered Thread
L	Helical Spring Lock Washer
LUG	Lug Bolt
NFC	National Fine Cap Screw
NPSM	National Pipe Straight Mechanical
NPTF	National Pipe Taper Fuel
P	Wide Plain Washer
PHMS	Pan Head Machine Screw
PLOW	Plow Bolt
RHMS	Round Head Machine Screw
RHSNB	Round Head Square Neck Bolt
SCREW LEVELING	Leveling Screw
SCREW THUMB	Thumb Screw
SCREW WELD	Weld Screw
SFCHMS	Slotted Flat Countersunk Head Machine Screw
SFHMS	Slotted Fillister Head Machine Screw
SP	Special
SP SCREW	Special Screw
SQHSS	Square Head Set Screw
SRHMS	Slotted Round Head Machine Screw
SSS	Socket Set Screw
STCS	Self Tapping Cap Screw
STHMS	Slotted Truss Head Machine Screw
WHEEL	Wheel Studs and Hub Long Bolts
WING	Wing Bolt

Replacement Hardware

The **Hardware Legend** above lists hardware abbreviations used in the parts list. All bolts and nuts are Grade 5 unless otherwise noted. The use of improper grades of hardware can result in personal injury, damage to equipment, or loss of property.

Colored Replacement Parts

Land Pride offers replacement parts in factory standard colors and also on select models in Green, Orange, Red and Blue. Because of the variety of colors available, special attention must be given to the part number to prevent ordering the wrong replacement part.

A suffix number corresponding to one of the colors below must be added at the end of Land Pride's part number when ordering a replacement part with that color.

81 Green 83 Red
82 Orange 84 Blue

For example, if you are ordering a replacement part with part number 555-555C and the part you need is red, then add the suffix 83 to the end of the number to make the part number read 555-555C83. Parts ordered without a suffix number will be supplied in factory standard colors.

Black Replacement Parts

Some parts are factory standard black and some must be special ordered black. If your part is special ordered black, a second part number with the additional suffix number 85 on the end will be available. In this situation you must order that part with the suffix number for it to be black. Parts that are factory standard black will not have the suffix number.

Part Number Service Coding

Within the parts list some part numbers are coded for revisions and interchangeability. See notations in revision column.

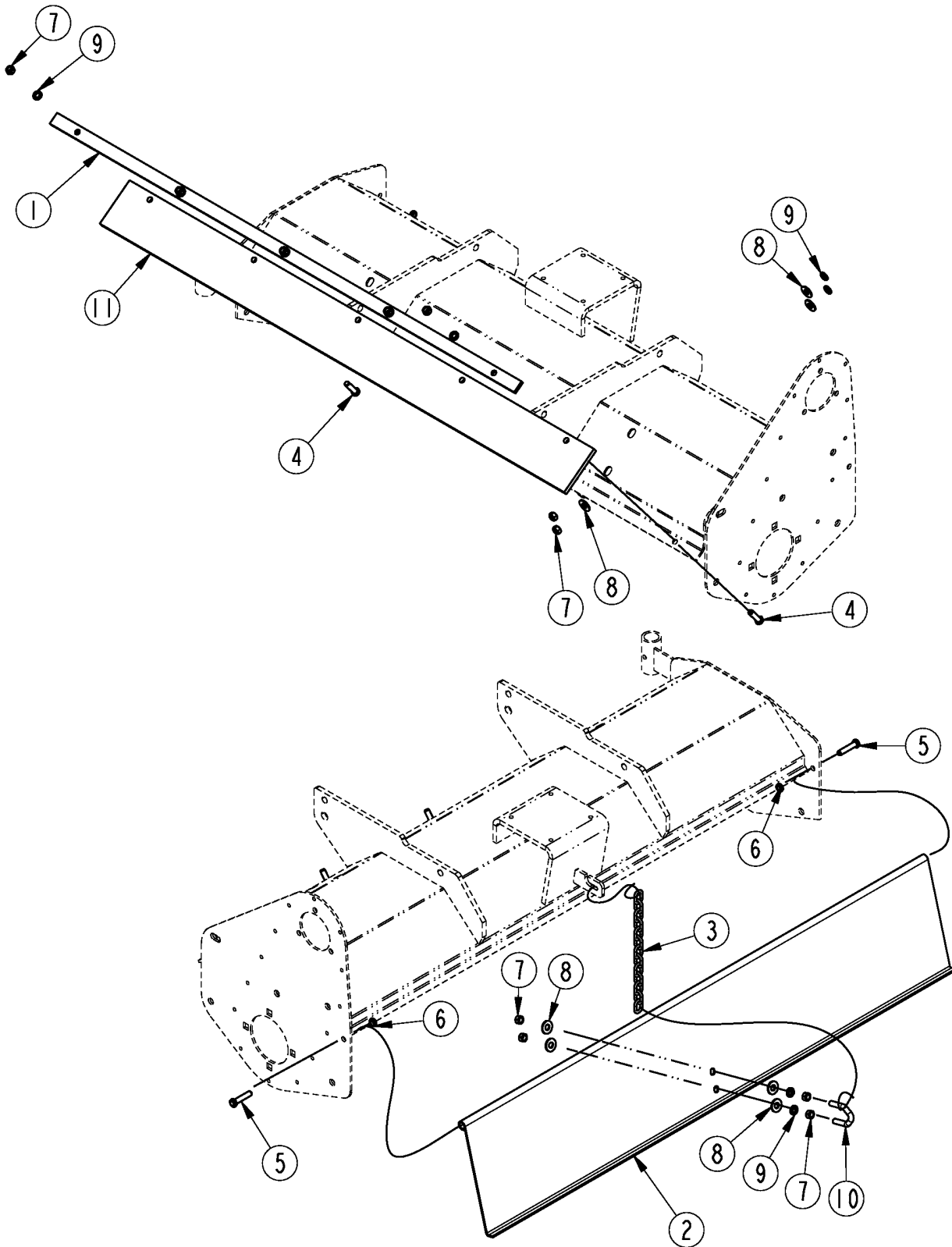
Serial Numbers

Always use the serial and model number when ordering parts. Refer to the Operator's Manual for serial number plate location.

- | | |
|----------------------|--|
| (S/N 20001+) | Includes serial numbers 20001 and above (to the latest number) |
| (S/N 10001 to 20000) | Includes serial numbers between and including 10001 and 20000 |
| (S/N 10000-) | Includes serial numbers 10000 and below (to the earliest number) |

Deflector Front and Rear

Applies to RTR0542, RTR0550



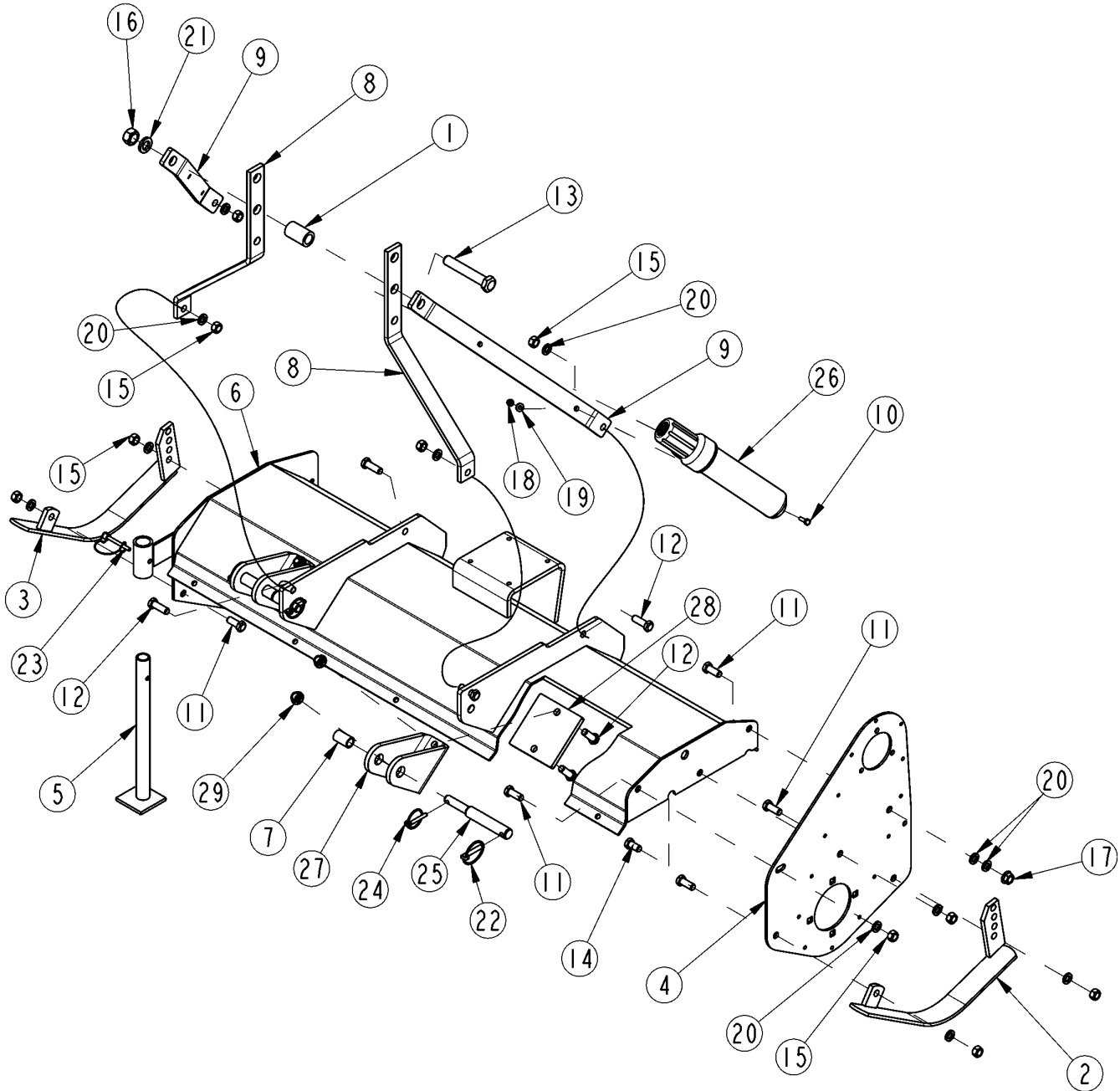
23784

Deflector Front and Rear**Applies to RTR0542, RTR0550**

Ref	Part No.	Part Description	Comments	Revision
	dwg23784	Drawing Image Number		
1.	311-586D	DEFLECTOR MOUNT FRONT 0550		
1.	311-626D	FRONT GUARD MOUNT 0542		
2.	311-618D	REAR DEFLECTOR 0550 BEIGE		
2.	311-618D81	REAR DEFLECTOR 0550 GREEN		
2.	311-618D82	REAR DEFLECTOR 0550 ORANGE		
2.	311-618D83	REAR DEFLECTOR 0550 RED		
2.	311-618D84	REAR DEFLECTOR 0550 BLUE		
2.	311-629D	REAR DEFLECTOR 0542 BEIGE		
2.	311-629D81	REAR DEFLECTOR 0542 GREEN		
2.	311-629D82	REAR DEFLECTOR 0542 ORANGE		
2.	311-629D83	REAR DEFLECTOR 0542 RED		
2.	311-629D84	REAR DEFLECTOR 0542 BLUE		
3.	311-624D	DEFLECTOR CHAIN 05		
4.	802-022C	HHCS 3/8-16X1 1/2 GR5		
5.	802-620C	HHCS 3/8-16X1 3/4 FULL THD PLT		
6.	803-012C	NUT HEX JAM 3/8-16 PLT		
7.	803-014C	NUT HEX 3/8-16 PLT		
7.	803-013C	NUT LOCK 3/8-16 PLT	S/N 881205-	
8.	804-011C	WASHER FLAT 3/8 USS PLT	S/N 881206+	
9.	804-013C	WASHER LOCK SPRING 3/8 PLT	S/N 881206+	
10.	806-181C	U-BOLT 3/8-16 X 1 1/8 3-CORNER		
11.	816-500C	FRONT DEFLECTOR 0542	RTR0542	
11.	816-488C	FRONT DEFLECTOR	RTR0550	

Frame & Hitch S/N 1023708-

Applies to RTR0542, RTR0550



23782

Frame & Hitch S/N 1023708-**Applies to RTR0542, RTR0550**

Ref	Part No.	Part Description	Comments	Revision
	dwg23782	Drawing Image Number		
1.	308-400D	SPACER 1 1/4OD X 25/32ID X 2LG		
2.	311-452H	SKID SHOE WELDMENT LH 05 BEIGE		
2.	311-452H81	SKID SHOE WELDMENT LH 05 GREEN		
2.	311-452H82	SKID SHOE WELDMENT LH 05 ORANGE		
2.	311-452H83	SKID SHOE WELDMENT LH 05 RED		
2.	311-452H84	SKID SHOE WELDMENT LH 05 BLUE		
3.	311-453H	SKID SHOE WELDMENT RH 05 BEIGE		
3.	311-453H81	SKID SHOE WELDMENT RH 05 GREEN		
3.	311-453H82	SKID SHOE WELDMENT RH 05 ORANGE		
3.	311-453D83	SKID SHOE WELDMENT RH 05 RED		
3.	311-453H84	SKID SHOE WELDMENT RH 05 BLUE		
4.	311-454H	DRIVE END WELDMENT 05 BEIGE		
4.	311-454H81	DRIVE END WELDMENT 05 GREEN		
4.	311-454H82	DRIVE END WELDMENT 05 ORANGE		
4.	311-454H83	DRIVE END WELDMENT 05 RED		
4.	311-454H84	DRIVE END WELDMENT 05 BLUE		
5.	311-470H	STAND WELDMENT 05 BEIGE		
5.	311-470H81	STAND WELDMENT 05 GREEN		
5.	311-470H82	STAND WELDMENT 05 ORANGE		
5.	311-470H83	STAND WELDMENT 05 RED		
5.	311-470H84	STAND WELDMENT 05 BLUE		
6.	311-585H	FRAME WELDMENT 0550 BEIGE	S/N 496610+	
6.	311-585H81	FRAME WELDMENT 0550 GREEN	S/N 496610+	
6.	311-585H82	FRAME WELDMENT 0550 ORANGE	S/N 496610+	
6.	311-585H83	FRAME WELDMENT 0550 RED	S/N 496610+	
6.	311-585H84	FRAME WELDMENT 0550 BLUE	S/N 496610+	
6.	311-482H	FRAME WELDMENT 0550 BEIGE	S/N 496609-	
6.	311-482H81	FRAME WELDMENT 0550 GREEN	S/N 496609-	
6.	311-482H82	FRAME WELDMENT 0550 ORANGE	S/N 496609-	
6.	311-482H83	FRAME WELDMENT 0550 RED	S/N 496609-	
6.	311-482H84	FRAME WELDMENT 0550 BLUE	S/N 496609-	
6.	311-584H	FRAME WELDMENT 0542 BEIGE	S/N 496610+	
6.	311-584H81	FRAME WELDMENT 0542 GREEN	S/N 496610+	
6.	311-584H82	FRAME WELDMENT 0542ORANGE	S/N 496610+	
6.	311-584H83	FRAME WELDMENT 0542 RED	S/N 496610+	
6.	311-584H84	FRAME WELDMENT 0542 BLUE	S/N 496610+	
6.	311-474H	FRAME WELDMENT 0542	S/N 496609-	
6.	311-474H81	FRAME WELDMENT 0542 GREEN	S/N 496609-	
6.	311-474H82	FRAME WELDMENT 0542 ORANGE	S/N 496609-	
6.	311-474H83	FRAME WELDMENT 0542 RED	S/N 496609-	
6.	311-474H84	FRAME WELDMENT 0542 BLUE	S/N 496609-	
7.	311-639D	BUSHING CAT 0 TO CAT 1		
8.	311-648D	MAST BAR 05 BEIGE		
8.	311-648D81	MAST BAR 05 GREEN		
8.	311-648D82	MAST BAR 05 ORANGE		
8.	311-648D83	MAST BAR 05 RED		
8.	311-648D84	MAST BAR 05 BLUE		
9.	311-649D	MAST BRACE 05 TILL		
9.	311-649D81	MAST BRACE 05 TILL GREEN		
9.	311-649D82	MAST BRACE 05 TILL ORANGE		
9.	311-649D83	MAST BRACE 05 TILL RED		
9.	311-649D84	MAST BRACE 05 TILL BLUE		
10.	802-224C	HHCS 1/4-20X1 1/4 GR5	S/N 546660+	
11.	802-034C	HHCS 1/2-13X1 1/4 GR5		
12.	802-091C	HHCS 1/2-13X1 1/2 GR5		
13.	802-192C	HHCS 3/4-10X4 1/2 GR5		
14.	802-258C	HHCS 1/2-13X1 GR5		

Frame & Hitch S/N 1023708- (continued)**Applies to RTR0542, RTR0550**

Ref	Part No.	Part Description	Comments	Revision
15.	803-020C	NUT HEX 1/2-13 PLT		
16.	803-027C	NUT HEX 3/4-10 PLT		
17.	803-193C	NUT HEX FLANGE 1/2-13 GR G PLT		
18.	803-255C	NUT HEX NYLOCK 1/4-20	S/N 546660+	
19.	804-007C	WASHER FLAT 1/4 SAE PLT	S/N 546660+	
20.	804-015C	WASHER LOCK SPRING 1/2 PLT		
21.	804-023C	WASHER LOCK SPRING 3/4 PLT		
22.	805-015C	PIN LINCH 5/16 X 1 3/4		
23.	805-065C	PIN WIRE RETAINING 1/4 X 1 3/4		
24.	805-126C	PIN LINCH 1/4 X 1 3/4 PLT		
25.	805-377C	LOWER HITCH PIN 05 TILLER		
26.	816-504C	MANUAL STORAGE CONTAINER	S/N 546660+	
27.	311-658D	CLEVIS HITCH	S/N 739136+	
28.	311-780D	CLEVIS DOUBLER RTR05 SERIES	S/N 739136+	
29.	803-169C	NUT HEX FLG LOCK 1/2-13 PLT	S/N 739136+	

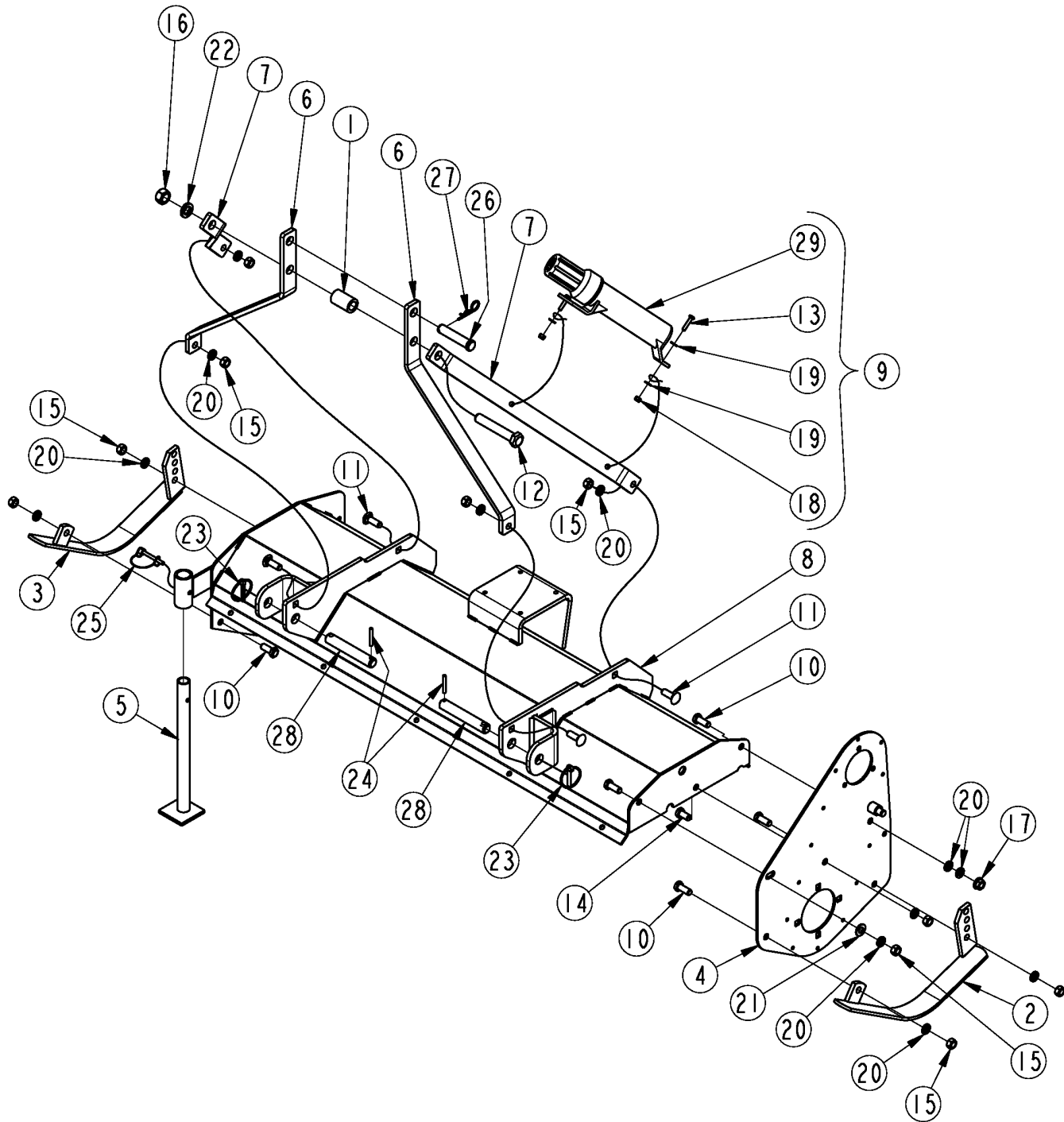
Frame & Hitch S/N 1023708- (continued)

Applies to RTR0542, RTR0550

This Page Intentionally Left Blank

Frame & Hitch S/N 1023709+

Applies to RTR0542, RTR0550



39347

Frame & Hitch S/N 1023709+**Applies to RTR0542, RTR0550**

Ref	Part No.	Part Description	Comments	Revision
	Dwg 39347	Image No.		
1.	308-400D	SPACER 1 1/4OD X 13/16ID X 2LG		
2.	311-452H	SKID SHOE WELDMENT LH 05 TILL	Beige	
2.	311-452H81	SKID SHOE WLD LH 05 TILL GREEN	Green	
2.	311-452H82	SKID SHOE WLD LH 05 TILL ORANG	Orange	
2.	311-452H83	SKID SHOE WLD LH 05 TILL RED	Red	
2.	311-452H84	SKID SHOE WLD LH 05 TILL BLUE	Blue	
3.	311-453H	SKID SHOE WELDMENT RH 05 TILL	Beige	
3.	311-453H81	SKID SHOE WLD RH 05 TILL GREEN	Green	
3.	311-453H82	SKID SHOE WLD RH 05 TILL ORANG	Orange	
3.	311-453H83	SKID SHOE WLD RH 05 TILL RED	Red	
3.	311-453H84	SKID SHOE WLD RH 05 TILL BLUE	Blue	
4.	311-454H	DRIVE END WELDMENT 05 TILL	Beige	
4.	311-454H81	DRIVE END WLD 05 TILL GREEN	Green	
4.	311-454H82	DRIVE END WLD 05 TILL ORANGE	Orange	
4.	311-454H83	DRIVE END WELDMENT 05 TILL RED	Red	
4.	311-454H84	DRIVE END WLD 05 TILL BLUE	Blue	
5.	311-470H	STAND WELDMENT 05 TILL	Beige	
5.	311-470H81	STAND WELDMENT 05 TILL GREEN	Green	
5.	311-470H82	STAND WELDMENT 05 TILL ORANGE	Orange	
5.	311-470H83	STAND WELDMENT 05 TILL RED	Red	
5.	311-470H84	STAND WELDMENT 05 TILL BLUE	Blue	
6.	311-852D	MAST BAR RTR05	Beige	
6.	311-852D81	MAST BAR RTR05 GREEN	Green	
6.	311-852D82	MAST BAR RTR05 ORANGE	Orange	
6.	311-852D83	MAST BAR RTR05 RED	Red	
7.	311-853D	MAST BRACE RTR05	Beige	
7.	311-853D81	MAST BRACE RTR05 GREEN	Green	
7.	311-853D82	MAST BRACE RTR05 ORANGE	Orange	
7.	311-853D83	MAST BRACE RTR05 RED	Red	
8.	311-933H	FRAME WELDMENT RTR0542	Beige (RTR0542)	
8.	311-933H81	FRAME WELDMENT RTR0542 GREEN	Green (RTR0542)	
8.	311-933H82	FRAME WELDMENT RTR0542 ORANGE	Orange (RTR0542)	
8.	311-933H83	FRAME WELDMENT RTR0542 RED	Red (RTR0542)	
8.	311-906H	FRAME WELDMENT RTR0550	Beige (RTR0550)	
8.	311-906H81	FRAME WELDMENT RTR0550 GREEN	Green (RTR0550)	
8.	311-906H82	FRAME WELDMENT RTR0550 ORANGE	Orange (RTR0550)	
8.	311-906H83	FRAME WELDMENT RTR0550 RED	Red (RTR0550)	
9.	326-095S	MANUAL CONTAINER KIT, 1 1/4		
10.	802-034C	HHCS 1/2-13X1 1/4 GR5		
11.	802-106C	RHSNB 1/2-13X1 1/2 GR5		
12.	802-192C	HHCS 3/4-10X4 1/2 GR5		
13.	802-224C	HHCS 1/4-20X1 1/4 GR5		
14.	802-258C	HHCS 1/2-13X1 GR5		
15.	803-020C	NUT HEX 1/2-13 PLT		
16.	803-027C	NUT HEX 3/4-10 PLT		
17.	803-193C	NUT HEX FLANGE 1/2-13 GR G PLT		
18.	803-255C	NUT HEX NYLOCK 1/4-20		
19.	804-007C	WASHER FLAT 1/4 SAE PLT		
20.	804-015C	WASHER LOCK SPRING 1/2 PLT		
21.	804-016C	WASHER FLAT 1/2 SAE PLT		
22.	804-023C	WASHER LOCK SPRING 3/4 PLT		
23.	805-015C	PIN LINCH 5/16 X 1 3/4		
24.	805-041C	PIN ROLL 1/4X1 3/4		
25.	805-065C	PIN WIRE RETAINING 1/4 X 1 3/4		
26.	805-142C	PIN CLVS .75X3.26 USBL		
27.	805-143C	PIN HAIR COTTER .120 PLT		
28.	805-207C	PIN CLVS HDLS .88X4.45 USBL		

Frame & Hitch S/N 1023709+ (continued)

Applies to RTR0542, RTR0550

Ref	Part No.	Part Description	Comments	Revision
29.	816-504C	MANUAL STORAGE CONTAINER		

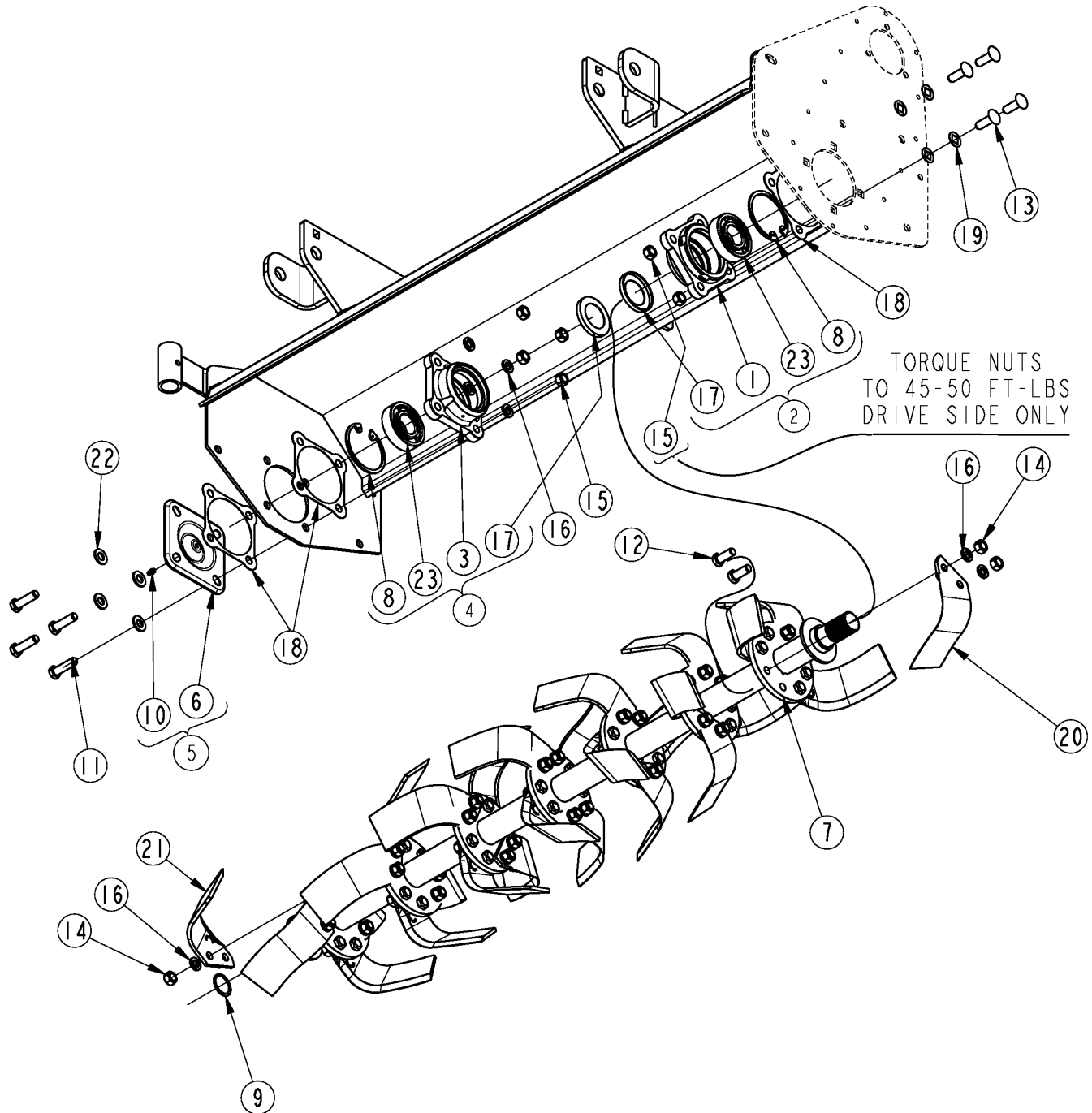
Frame & Hitch S/N 1023709+ (continued)

Applies to RTR0542, RTR0550

This Page Intentionally Left Blank

Rotor Assembly

Applies to RTR0542, RTR0550



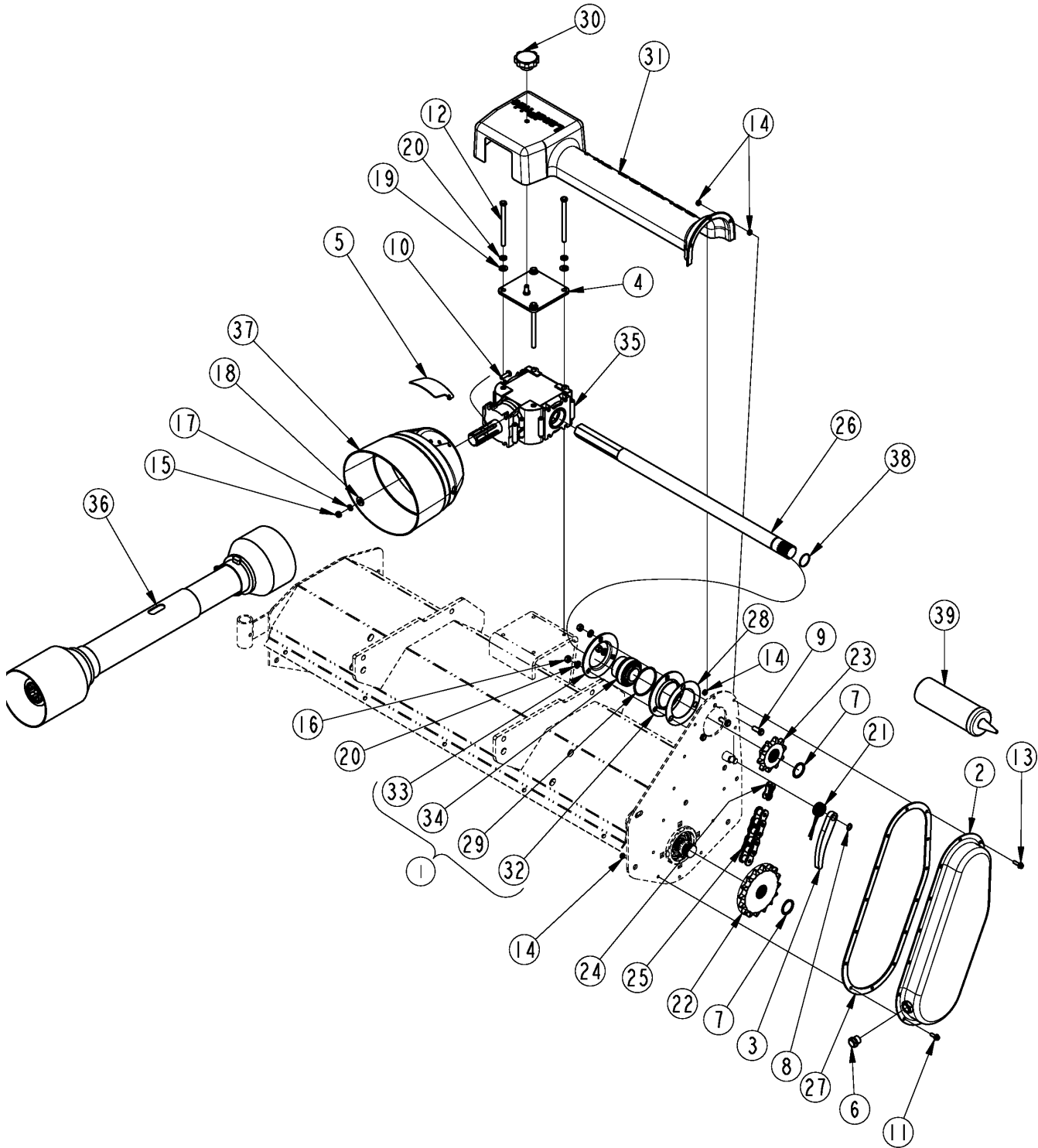
23785

Rotor Assembly**Applies to RTR0542, RTR0550**

Ref	Part No.	Part Description	Comments	Revision
	Dwg 23785	Drawing Image Number *		
1.	311-014D	BEARING MNT RTA10/15/20 RTR20		
2.	822-254C	HSG, 1.37ID X 4 BOLT,1.75 SEAL	Was 311-041S	
3.	311-042D	RH BOTTOM BRG MNT		
4.	822-255C	HSG, 1.37ID X 4 BOLT,1.75 SEAL	Was 311-042S	
5.	311-135S	RH BRG COVER W/ZRK		
5.	311-135S81	RH BRG COVER W/ZRK GREEN		
5.	311-135S82	RH BRG COVER W/ZRK ORANGE		
5.	311-135S83	RH BRG COVER W/ZRK RED		
5.	311-135S84	RH BRG COVER W/ZRK BLUE		
6.	311-205D	RH BEARING COVER		
6.	311-205D81	RH BEARING COVER GREEN		
6.	311-205D82	RH BEARING COVER ORANGE		
6.	311-205D83	RH BEARING COVER RED		
6.	311-205D84	RH BEARING COVER BLUE		
7.	311-471H	ROTOR WELDMENT 0550 TILL		
7.	311-476H	ROTOR WELDMENT 0542		
8.	800-053C	SNAP RING INT3.523OD N5000-315		
9.	800-079C	SNAP RING EXT 1 3/8 5100-137		
10.	800-080C	GREASE ZERK 1/4-28 THD FORMING		
11.	802-082C	HHCS 1/2-13X1 3/4 GR5		
12.	802-248C	SP TINE HHCS 1/2-20X1 1/4 GR5		
13.	802-477C	RHSSNB 1/2-13X1 1/2 GR5		
14.	803-018C	NUT HEX 1/2-20 PLT		
15.	803-020C	NUT HEX 1/2-13 PLT		
16.	804-015C	WASHER LOCK SPRING 1/2 PLT		
17.	816-068C	SEAL 1.75 X 2.75 X .313		
18.	816-070C	GASKET BRG MNT 10/15 TILLER		
19.	816-280C			
20.	820-329C	TILLER BLADE 05 & 12 SERIES LH	RTR0542 12 EA. TOTAL RTR0550 14 EA. TOTAL	
21.	820-330C	TILLER BLADE 05 & 12 SERIES RH	RTR0542 12 EA. TOTAL RTR0550 14 EA. TOTAL	
22.	804-094C	WASHER FLAT 1/2 HARD ASTM F436		
23.	822-082C	BEARING 307		

Drive Components

Applies to RTR0542, RTR0550



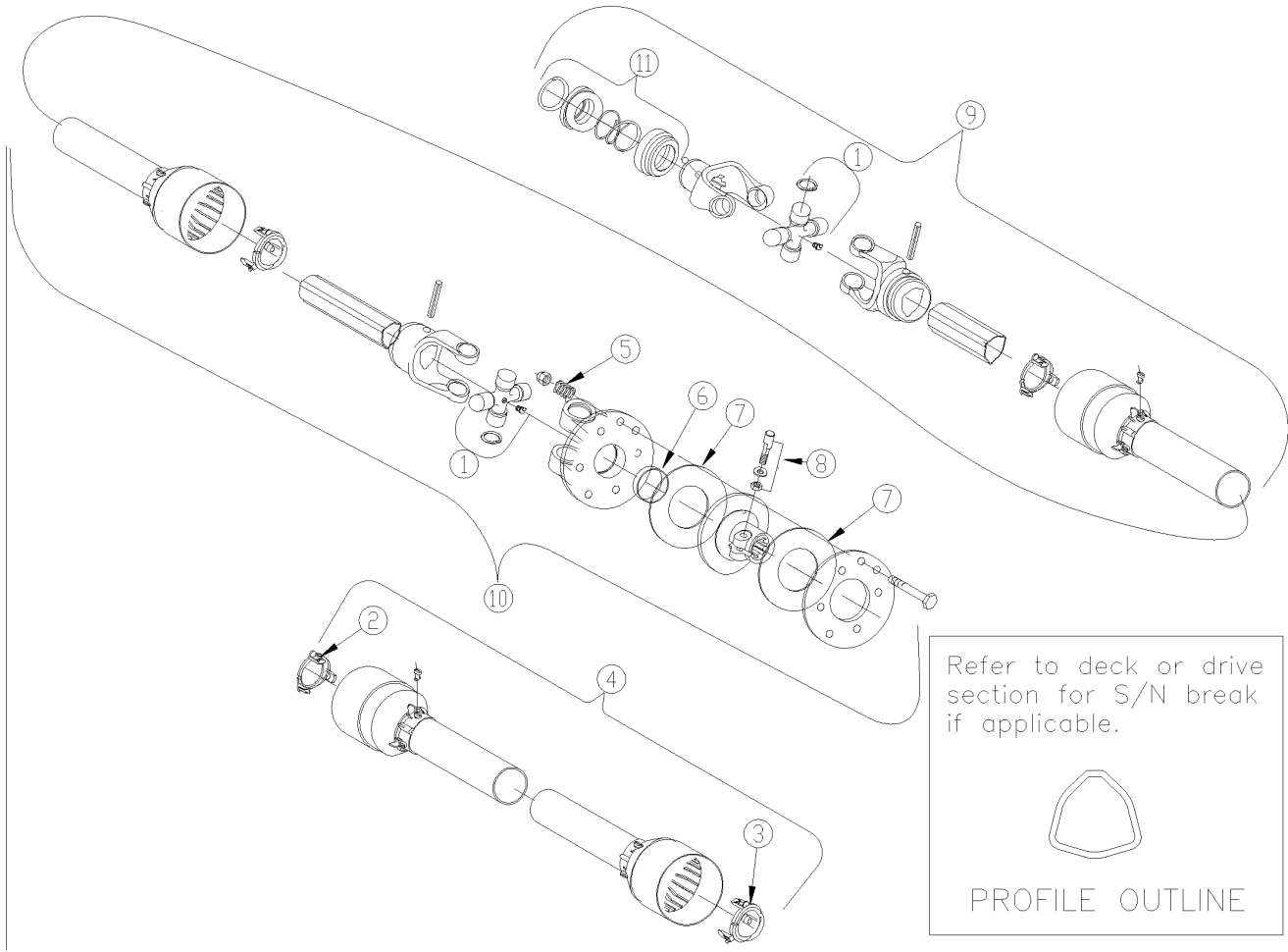
23786

Drive Components**Applies to RTR0542, RTR0550**

Ref	Part No.	Part Description	Comments	Revision
	Dwg 23786	Drawing Image Number		
1.		SOLD AS INDIVIDUAL PARTS		
2.	311-463H	CHAIN CASE WELDMENT 05 TILL		
2.	311-463H81	CHAIN CASE WELDMENT 05 GREEN		
2.	311-463H82	CHAIN CASE WELDMENT 05 ORANGE		
2.	311-463H83	CHAIN CASE WELDMENT 05 RED		
2.	311-463H84	CHAIN CASE WELDMENT 05 BLUE		
3.	311-465H	CHAIN TIGHTENER WELDMENT		
4.	311-580H	WLDMT, DRIVE COVER MOUNT		
5.	38-11	MCCN ACCESS COVER	Only for Meccanoplast brand covers on older models	
6.	800-066C	DRAIN PLUG 3/4-16 UNF PLATED		
7.	800-079C	SNAP RING EXT 1 3/8 5100-137		
8.	800-081C	SNAP RING EXT 1/2		
9.	802-017C	HHCS 3/8-16X1 GR5		
10.	802-159C	HHCS 5/16-18X1 GR5	S/N 49187+	
10.	802-007C	HHCS 5/16-18X3/4 GR5	S/N 49186-	
11.	802-257C	HFSS 1/4-20X3/4 GR5		
12.	802-318C	HHCS 3/8-16X5 GR5		
13.	802-719C	HFSS 1/4-20X7/8 GR5	S/N 49187+	
13.	802-224C	HHCS 1/4-20X1 1/4 GR5	S/N 49186-	
14.	803-007C	NUT LOCK 1/4-20 PLT	S/N 49187+	
14.	803-006C	NUT HEX 1/4-20 PLT	S/N 49186-	
15.	803-008C	NUT HEX 5/16-18 PLT		
16.	803-014C	NUT HEX 3/8-16 PLT		
17.	804-009C	WASHER LOCK SPRING 5/16 PLT		
18.	804-010C	WASHER FLAT 5/16 USS PLT	S/N 49187+	
19.	804-012C	WASHER FLAT 3/8 SAE PLT		
20.	804-013C	WASHER LOCK SPRING 3/8 PLT		
21.	807-249C	SPRNG TORSION 1 1/16 ID 3" LEG		
22.	808-082C	SPKT 80B16 1 3/8-21 SPLINE		
23.	808-360C	SPKT 80B10 1 3/8-21 SPLINE		
24.	809-087C	CONNECTOR #80 PEER		
25.	809-297C	CHAIN RL HT #80 X 40 PITCH		
26.	815-256C	DRIVE SHAFT 0550 TILLER		
26.	815-264C	DRIVE SHAFT 0542_34 TILLER		
27.	816-486C	CHAIN COVER GASKET		
28.	816-487C	GASKET FLANGETTE		
29.	816-489C	O-RING 2.812 ID		
30.	817-259C	KNOB 3/8-16 FEMALE THD 2 3/8OD		
31.	817-656C	GUARD DRIVE, PLASTIC RTR0550		
31.	817-657C	GUARD DRIVE, PLASTIC RTR0542		
32.	822-218C	FLANGETTE 72MM 3-BOLT PLT		
33.	822-219C	FLANGETTE 72 3-BOLT W/ZERK PLT		
34.	822-220C	BRG INS 138ID LOCK		
35.	826-473C	GBOX 05 30MM HEXTHRU 1.46:1		
36.	826-500C	PTO AX2 SHEAR BOLT 05 TILLER		
36.	826-505C	PTO AX2 SLIP CLUTCH 05 TILLER		
37.	826-519C	SMALL SHAFT CONE W/ACCESS DOOR		
38.	816-044C	O-RING 1-1/4 I.D. X 1-3/8 O.D.		
39.	821-045C	GRS SHELL GADUS S2 V22000 32OZ		

Driveline with Clutch (826-505C) Comer

Applies to RTR0542, RTR0550

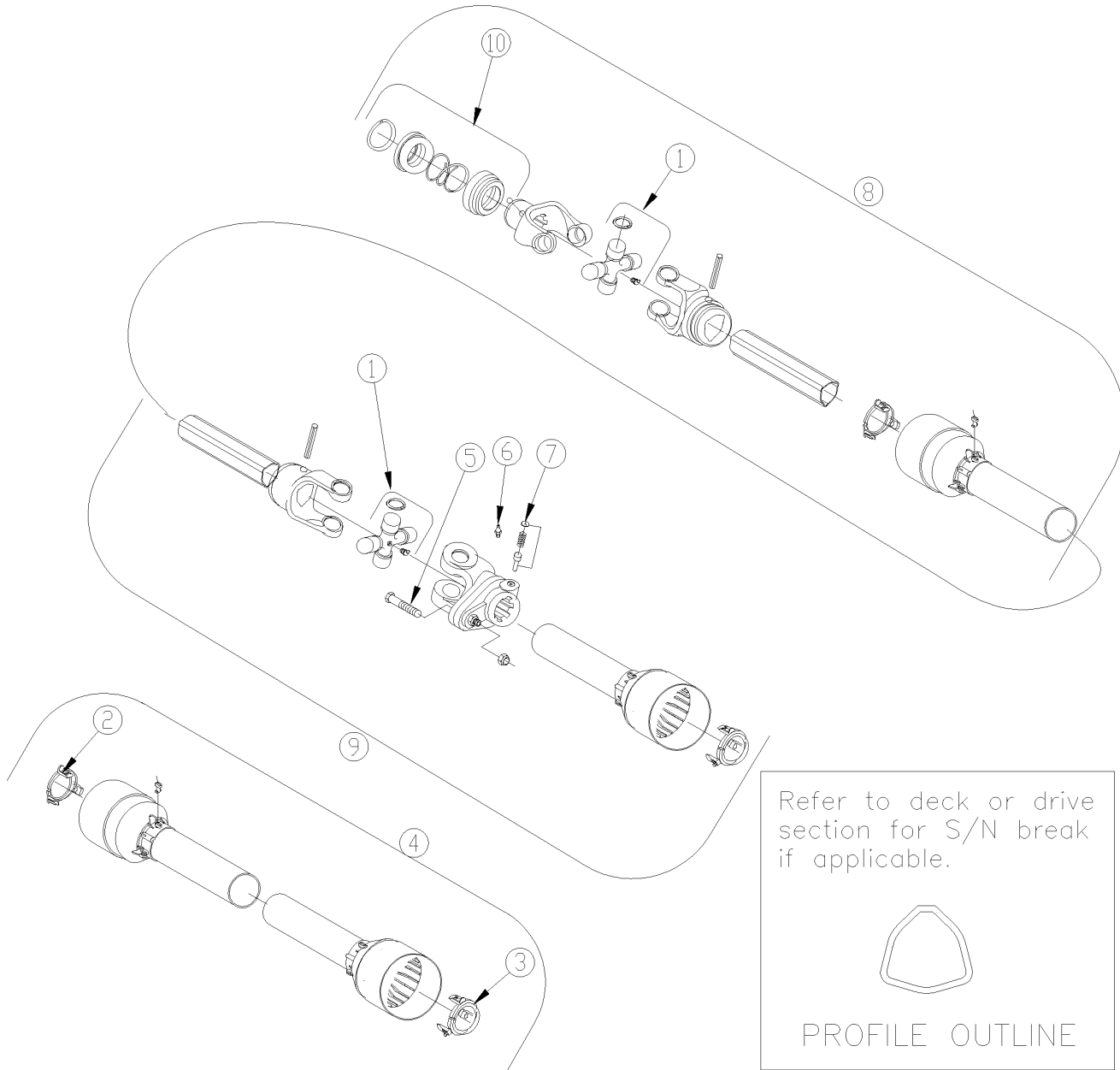


Driveline with Clutch (826-505C) Comer**Applies to RTR0542, RTR0550**

Ref	Part No.	Part Description	Comments	Revision
	dwg23858	Drawing Image Number		
	826-505C	PTO AX2 SLIP CLUTCH 05 TILLER *		
1.	180.012.130	COMER CROSS JOURNAL SET		
2.	8180.012.184	COMER GUARD RET COLLR OUTER TB		
3.	8180.012.183	COMER GUARD RET COLLAR INNR TB		
4.	81422203367221	COMER GUARD COMPLETE W/MAN		
5.	180.014.022	COMER SPRING		
6.	180.015.020	COMER BUSH		
7.	180.014.460	COMER LINING RING		
8.	165.000.502	COMER NUT & BOLT M12X1.25X65		
9.	8123.320.163.11	HALF FEMALE SHAFT WITH GUARDNG		
10.	8123.420.353.11	COMER HALF MALE SHAFT W/GUARD		
11.	165.000.628	COMER COLLER KIT 1 3/8 YOKE		

Driveline with Shear Bolt (826-500C) Comer

Applies to RTR0542, RTR0550



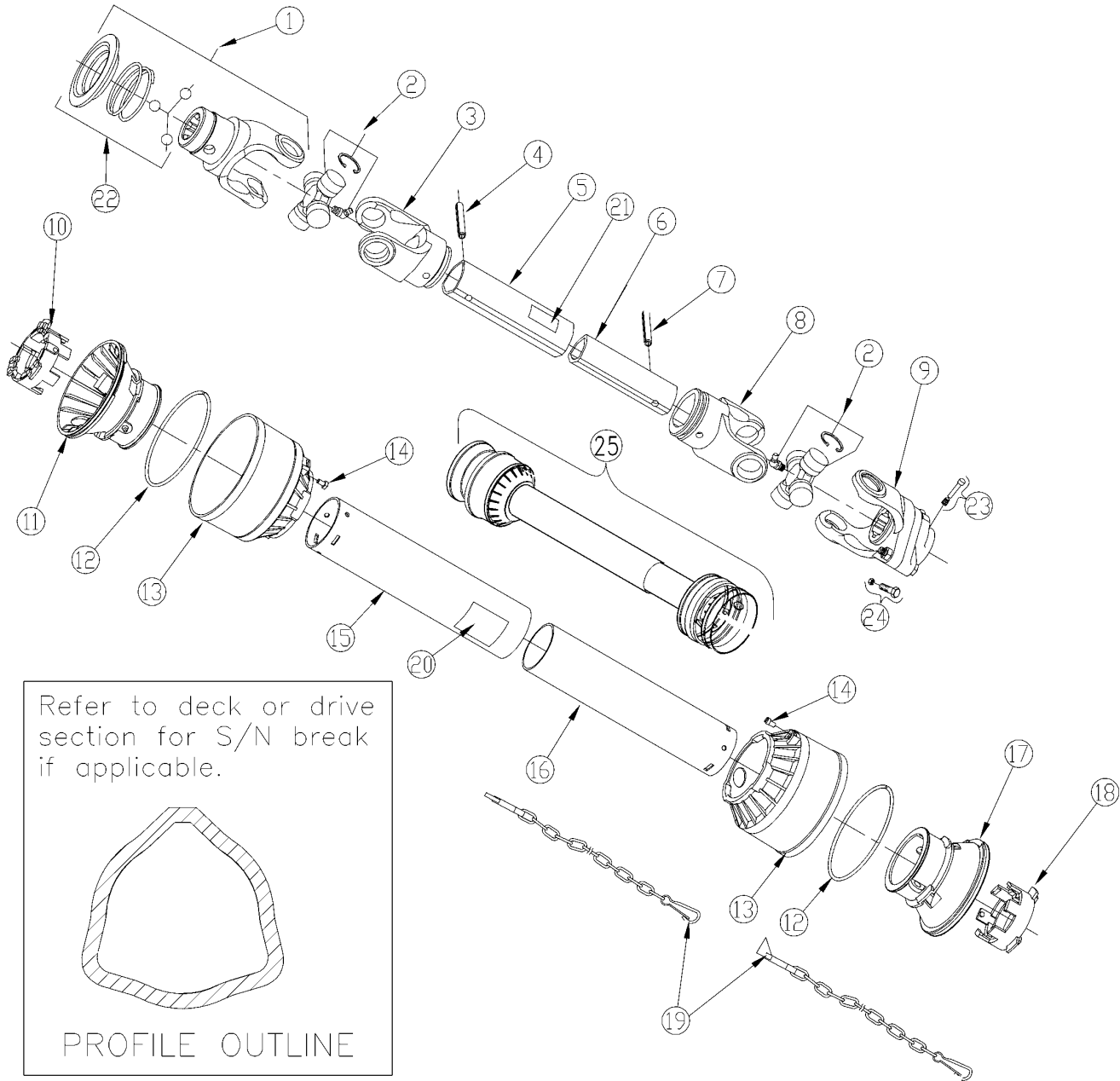
23859

Driveline with Shear Bolt (826-500C) Comer**Applies to RTR0542, RTR0550**

Ref	Part No.	Part Description	Comments	Revision
	dwg23859	Drawing Image Number		
	826-500C	PTO AX2 SHEAR BOLT 05 TILLER *		
1.	180.012.130	COMER CROSS JOURNAL SET		
2.	8180.012.184	COMER GUARD RET COLLR OUTER TB		
3.	8180.012.183	COMER GUARD RET COLLAR INNR TB		
4.	81422203357221	COMER COMP. GUARD W/INST MAN.		
5.	165.000.509	COMER BOLT & NUT M6X40 CL 8.8		
6.	190.000.020	COMER GREASE FITTING		
7.	166.026.004	COMER PUSH PIN SET 1 3/8		
8.	8123.320.163.11	HALF FEMALE SHAFT WITH GUARDNG		
9.	8123.420.350.11	COMER HALF MALE SHAFT W/GUARD		
10.	165.000.628	COMER COLLOR KIT 1-3/8 YOKE		

Driveline with Shear Bolt (826-500C) Eurocardan

Applies to RTR0542, RTR0550

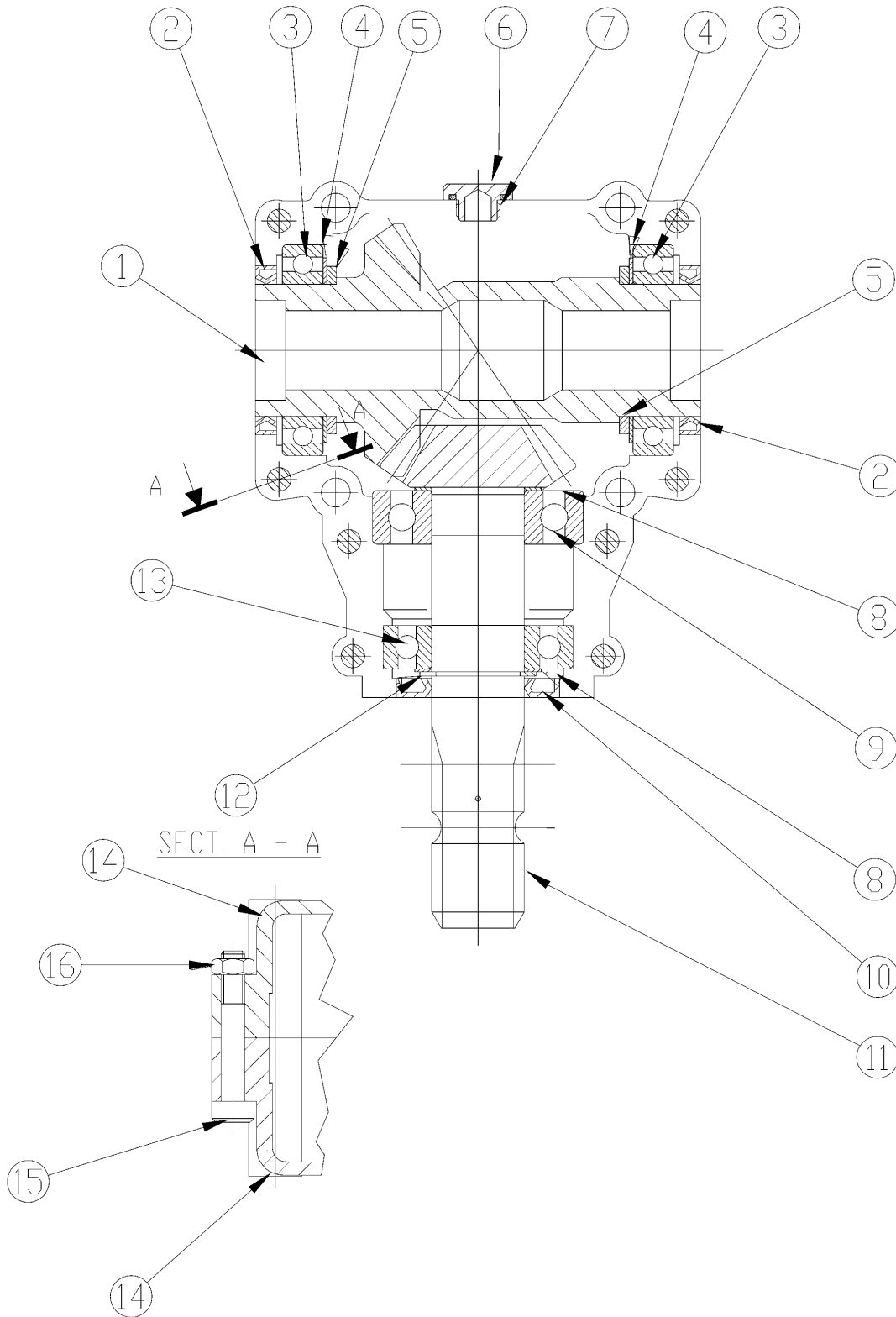


Driveline with Shear Bolt (826-500C) Eurocardan**Applies to RTR0542, RTR0550**

Ref	Part No.	Part Description	Comments	Revision
	Dwg 23861 826-500C	Drawing Image Number PTO AX2 SHEAR BOLT 05 TILLER *		
1.	1012013	EC YOKE ASM (IMPLEMENT END)		
2.	1002020	EC CROSS ASSEMBLY		
3.	1702027	EC OUTER TUBE YOKE		
4.	6330855	EC 8X55-DIN-1481 O/TUBE R/PIN		
5.	1523031	EC OUTER TUBE		
6.	1522031	EC INNER TUBE		
7.	6330855	EC 8X55-DIN-1481 O/TUBE R/PIN		
8.	1702029	EC INNER TUBE YOKE		
9.	1482038	EC BOLT TORQUE LIMITING DEVICE		
10.	1782210	EC TUBE BEARING		
11.	1884201	EC OUTER TUBE RIGID CONE		
12.	1213233	EC STIFFENING RING		
13.	1884203	EC SOFT CONE		
14.	1784212	EC PIN STOP ROTATION		
15.	1873023	EC OUTER TUBE SHEILD		
16.	1872023	EC INNER TUBE SHEILD		
17.	1884202	EC INNER TUBE RIGID CONE		
18.	1782211	EC TUBE BEARING IMP END		
19.	044321	DRIVELINE SHIELD SAFETY CHAIN	S/N 946472-	
20.	818-552C	DECAL DANGER PTO DRIVELINE		
21.	818-540C	DECAL DANGER GUARD MISS PTO		
22.	1004227	EC PULL COLLAR KIT EVOLUTION		
23.	1581038	RPBY 1581037	Obsolete	
24.	6690640	EC COMP. BOLT M6X40 W/NUT	M6 x 40 8.8 Bolt w/ M6 Nut	
25.	826-556C	SHIELD KIT, AX2		

Gearbox Comer 826-473C

Applies to RTR0542, RTR0550



23860

Gearbox Comer 826-473C**Applies to RTR0542, RTR0550**

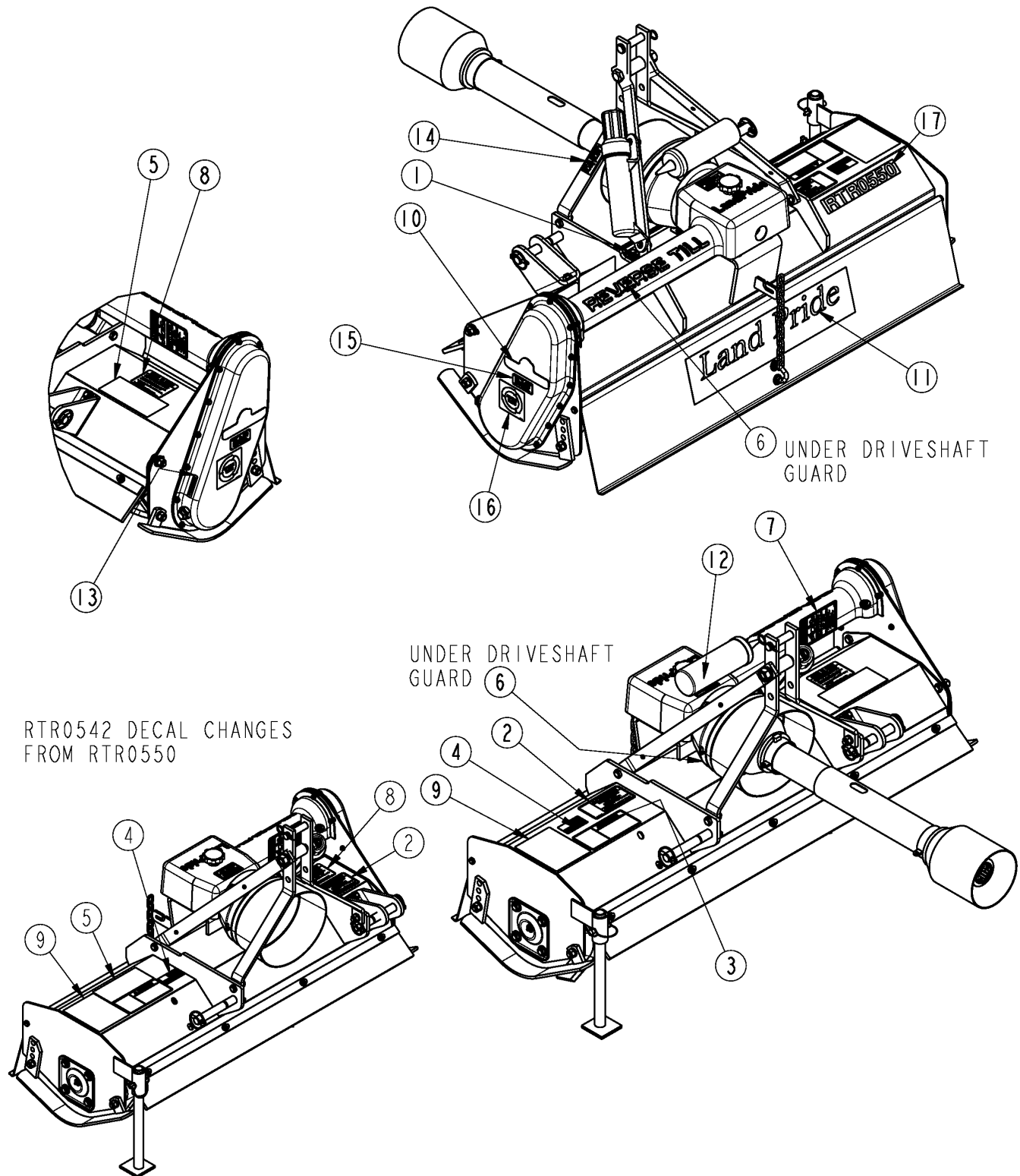
Ref	Part No.	Part Description	Comments	Revision
	dwg23860	Drawing Image Number		
	826-473C	GBOX 05 30MM HEXTHRU 1.46:1		
1.	N/A	COMER CROWN HEX .30 Z19 M5		
2.	8.7.1.01260	COMER DUST LIP 50X62X7		
3.	8.0.1.00473	COMER BALL BEARING 6010		
4.	A.712.500	COMER SHIM KIT		
5.	0.281.7103.00	COMER SPACER (51.5X63.5X3.7)		
6.	0.281.7100.00	COMER 3/8" GAS PLUG		
7.	8.7.6.00636	COMER O-RING 3068		
8.	A.259.500	CO ADJUST SPACER KIT, 35.3 X48		
9.	822-190C	BALL BEARING 6307		
10.	8.7.3.01259	COMER OIL SEAL 35X62X7		
11.	N/A	COMER PINION SHAFT Z13 M5		
12.	8.5.1.00005	CO SNAP RING EXT 35 UN17435		
13.	822-166C	BEARING BALL 6207		
14.	1.281.0303.00	COMER HALF CASING		
15.	8.1.2.01174	COMER M8X55 HEX SOCKET (8.8)		
16.	8.2.1.00382	COMER HEX NUT M8 UNI		

*

Notes: Oil Type 80-90W Capacity 1 Pints

Decal Placement

Applies to RTR0542, RTR0550



RTR0542 DECAL CHANGES FROM RTR0550

Decal Placement**Applies to RTR0542, RTR0550**

Ref	Part No.	Part Description	Comments	Revision
	Dwg 23787	Drawing Image Number		
1.	818-130C	DECAL WARNING 540 RPM		
2.	818-142C	DECAL DANGER PTO DRIVELINE EN		
3.	858-772C	DECAL DANGER ROTATING PARTS		
3.	818-171C	RPBY 858-772C	(Obsolete	
4.	818-190C	DECAL FLAG		
5.	818-284C	DECAL, WARNING FLYING DEBRIS		
6.	818-543C	DECAL DANGER PD GUARD MISS SML		
7.	818-552C	DECAL DANGER PTO DRIVELINE		
8.	818-560C	DECAL NOTICE TO OWNER-NO WARRA		
9.	818-858C	DECAL CAUTION GENERAL SAFTEY		
10.	818-896C	RPBY 838-968C	Beige Unit	
10.	838-968C	DECAL LP 6 W/TREE BROWN/GOLD	Green, Orange, Red & Blue Units	
11.	818-907C	RPBY 838-966C	Beige Unit	
11.	838-966C	DECAL LANDPRIDE 22" BROWN/GOLD	Green, Orange, Red & Blue Units	
12.	838-289C	DECAL 2 YEAR GEARBOX WARRANTY		
13.	838-415C	DECAL SHELL GADUS S2 V220 00		
14.	838-517C	DECAL QUICK HITCH SYSTEM		
15.	838-537C	DECAL SOLID ROTOR SHAFT STEEL	S/N 491987+	
16.	838-897C	DECAL REV TILLING W/ARROWS GLD		
17.	838-773C	DECAL RTR0550 BROWN	All Colors	
17.	838-819C	DECAL RTR0542-BROWN	All Colors	
	*			
	858-518C	DECAL, RTR CLUSTER	This new decal replaces items 1, 2, 3, 4, 5, 7, 8 & 9	

Land Pride Touch-up Paints

Applies to RTR0542, RTR0550

No diagram associated with this Parts List

Land Pride Touch-up Paints**Applies to RTR0542, RTR0550**

Ref	Part No.	Part Description	Comments	Revision
1.	821-011C	LP BEIGE SPRAY CAN	Spray can	
1.	821-011CTU	LP BEIGE TOUCH-UP 5OZ	Touch-up bottle with brush	
1.	821-011CQT	LP BEIGE QUART	Quart can	
1.	821-011CGL	LP BEIGE GALLON	Gallon can	
2.	821-070C	GLOSS BLACK SPRAY CAN	Spray can	
2.	821-070CTU	GLOSS BLACK TOUCH-UP 5OZ	Touch-up bottle with brush	
2.	821-070CQT	GLOSS BLACK QUART	Quart can	
2.	821-070CGL	GLOSS BLACK GALLON	Gallon can	
3.	821-054C	MED. RED SPRAY TRCK/CTR	Spray can	
3.	821-054CTU	MED RED TOUCH-UP 5OZ	Touch-up bottle with brush	
3.	821-054CQT	MED RED QUART	Quart can	
3.	821-054CGL	MED RED GALLON	Gallon can	
4.	821-058C	GREEN SPRAY CUTTERS	Spray can	
4.	821-058CTU	GREEN TOUCH-UP 5OZ	Touch-up bottle with brush	
4.	821-058CQT	GREEN QUART	Quart can	
4.	821-058CGL	GREEN GALLON	Gallon can	
5.	821-066C	ORANGE SPRAY CAN	Spray can	
5.	821-066CTU	ORANGE TOUCH-UP 5OZ	Touch-up bottle with brush	
5.	821-066CQT	ORANGE QUART	Quart can	
5.	821-066CGL	ORANGE GALLON	Gallon can	
6.	821-067C	BLUE SPRAY CAN	Spray can	
6.	821-067CTU	BLUE TOUCH-UP 5OZ	Touch-up bottle with brush	
6.	821-067CQT	BLUE QUART	Quart can	
6.	821-067CGL	BLUE GALLON	Gallon can	
7.	821-080C	PAINT ALUMINUM/ZINC SPRAY CAN	Spray can	
7.	821-080CTU	PAINT ALUMINUM/ZINC TOUCH UP	Touch-up bottle with brush	
7.	821-080CQT	PAINT ALUMINUM/ZINC QUART	Quart can	
7.	821-080CGL	PAINT ALUMINUM/ZINC GALLON	Gallon can	



Part Number Index

The Part Number Index is a numeric index of all part numbers included in this manual. The index shows what page(s) the part is used on.

Part Number	Page	Part Number	Page	Part Number	Page	Part Number	Page
*	17, 21, 23, 25, 27, 29	311-470H82	9, 13	6330855	25	81422203357221	23
0.281.7100.00	27	311-470H83	9, 13	6690640	25	81422203367221	21
0.281.7103.00	27	311-470H84	9, 13	8.0.1.00473	27	815-256C	19
044321	25	311-471H	17	8.1.2.01174	27	815-264C	19
1.281.0303.00	27	311-474H	9	8.2.1.00382	27	816-044C	19
1002020	25	311-474H81	9	8.5.1.00005	27	816-068C	17
1004227	25	311-474H82	9	8.7.1.01260	27	816-070C	17
1012013	25	311-474H83	9	8.7.3.01259	27	816-280C	17
1213233	25	311-474H84	9	8.7.6.00636	27	816-486C	19
1482038	25	311-476H	17	800-053C	17	816-487C	19
1522031	25	311-482H	9	800-066C	19	816-488C	7
1523031	25	311-482H81	9	800-079C	17, 19	816-489C	19
1581038	25	311-482H82	9	800-080C	17	816-500C	7
165.000.502	21	311-482H83	9	800-081C	19	816-504C	10, 14
165.000.509	23	311-482H84	9	802-007C	19	817-259C	19
165.000.628	21, 23	311-580H	19	802-017C	19	817-656C	19
166.026.004	23	311-584H	9	802-022C	7	817-657C	19
1702027	25	311-584H81	9	802-034C	9, 13	818-130C	29
1702029	25	311-584H82	9	802-082C	17	818-142C	29
1782210	25	311-584H83	9	802-091C	9	818-171C	29
1782211	25	311-584H84	9	802-106C	13	818-190C	29
1784212	25	311-585H	9	802-159C	19	818-284C	29
180.012.130	21, 23	311-585H81	9	802-192C	9, 13	818-540C	25
180.014.022	21	311-585H82	9	802-224C	9, 13, 19	818-543C	29
180.014.460	21	311-585H83	9	802-248C	17	818-552C	25, 29
180.015.020	21	311-585H84	9	802-257C	19	818-560C	29
1872023	25	311-586D	7	802-258C	9, 13	818-858C	29
1873023	25	311-618D	7	802-318C	19	818-896C	29
1884201	25	311-618D81	7	802-477C	17	818-907C	29
1884202	25	311-618D82	7	802-620C	7	8180.012.183	21, 23
1884203	25	311-618D83	7	802-719C	19	8180.012.184	21, 23
190.000.020	23	311-618D84	7	803-006C	19	820-329C	17
308-400D	9, 13	311-624D	7	803-007C	19	820-330C	17
311-014D	17	311-626D	7	803-008C	19	821-011C	31
311-042D	17	311-629D	7	803-012C	7	821-011CGL	31
311-135S	17	311-629D81	7	803-013C	7	821-011CQT	31
311-135S81	17	311-629D82	7	803-014C	7, 19	821-011CTU	31
311-135S82	17	311-629D83	7	803-018C	17	821-045C	19
311-135S83	17	311-629D84	7	803-020C	10, 13, 17	821-054C	31
311-135S84	17	311-639D	9	803-027C	10, 13	821-054CGL	31
311-205D	17	311-648D	9	803-169C	10	821-054CQT	31
311-205D81	17	311-648D81	9	803-193C	10, 13	821-054CTU	31
311-205D82	17	311-648D82	9	803-255C	10, 13	821-058C	31
311-205D83	17	311-648D83	9	804-007C	10, 13	821-058CGL	31
311-205D84	17	311-648D84	9	804-009C	19	821-058CQT	31
311-452H	9, 13	311-649D	9	804-010C	19	821-058CTU	31
311-452H81	9, 13	311-649D81	9	804-011C	7	821-066C	31
311-452H82	9, 13	311-649D82	9	804-012C	19	821-066CGL	31
311-452H83	9, 13	311-649D83	9	804-013C	7, 19	821-066CQT	31
311-452H84	9, 13	311-649D84	9	804-015C	10, 13, 17	821-066CTU	31
311-453D83	9	311-658D	10	804-016C	13	821-067C	31
311-453H	9, 13	311-780D	10	804-023C	10, 13	821-067CGL	31
311-453H81	9, 13	311-852D	13	804-094C	17	821-067CQT	31
311-453H82	9, 13	311-852D81	13	805-015C	10, 13	821-067CTU	31
311-453H83	13	311-852D82	13	805-041C	13	821-070C	31
311-453H84	9, 13	311-852D83	13	805-065C	10, 13	821-070CGL	31
311-454H	9, 13	311-853D	13	805-126C	10	821-070CQT	31
311-454H81	9, 13	311-853D81	13	805-142C	13	821-070CTU	31
311-454H82	9, 13	311-853D82	13	805-143C	13	821-080C	31
311-454H83	9, 13	311-853D83	13	805-143C	13	821-080CGL	31
311-454H84	9, 13	311-906H	13	805-207C	13	821-080CQT	31
311-463H	19	311-906H81	13	805-377C	10	821-080CTU	31
311-463H81	19	311-906H82	13	806-181C	7	822-082C	17
311-463H82	19	311-906H83	13	806-249C	19	822-166C	27
311-463H83	19	311-933H	13	808-082C	19	822-190C	27
311-463H84	19	311-933H81	13	808-360C	19	822-218C	19
311-465H	19	311-933H82	13	809-087C	19	822-219C	19
311-470H	9, 13	311-933H83	13	809-297C	19	822-220C	19
311-470H81	9, 13	326-095S	13	8123.320.163.11	21, 23	822-254C	17
		38-11	19	8123.420.350.11	23	822-255C	17
				8123.420.353.11	21		



Part Number Index (continued)

<u>Part Number</u>	<u>Page</u>
826-473C	19, 27
826-500C	19, 23, 25
826-505C	19, 21
826-519C	19
826-556C	25
838-289C	29
838-415C	29
838-517C	29
838-537C	29
838-773C	29
838-819C	29
838-897C	29
838-966C	29
838-968C	29
858-518C	29
858-772C	29
A.259.500	27
A.712.500	27
Dwg 23785	17
Dwg 23786	19
Dwg 23787	29
Dwg 23861	25
Dwg 39347	13
dwg23782	9
dwg23784	7
dwg23858	21
dwg23859	23
dwg23860	27
N/A	27



Great Plains Manufacturing, Inc.

Corporate Office: P.O. Box 5060
Salina, Kansas 67402-5060 USA

www.landpride.com
