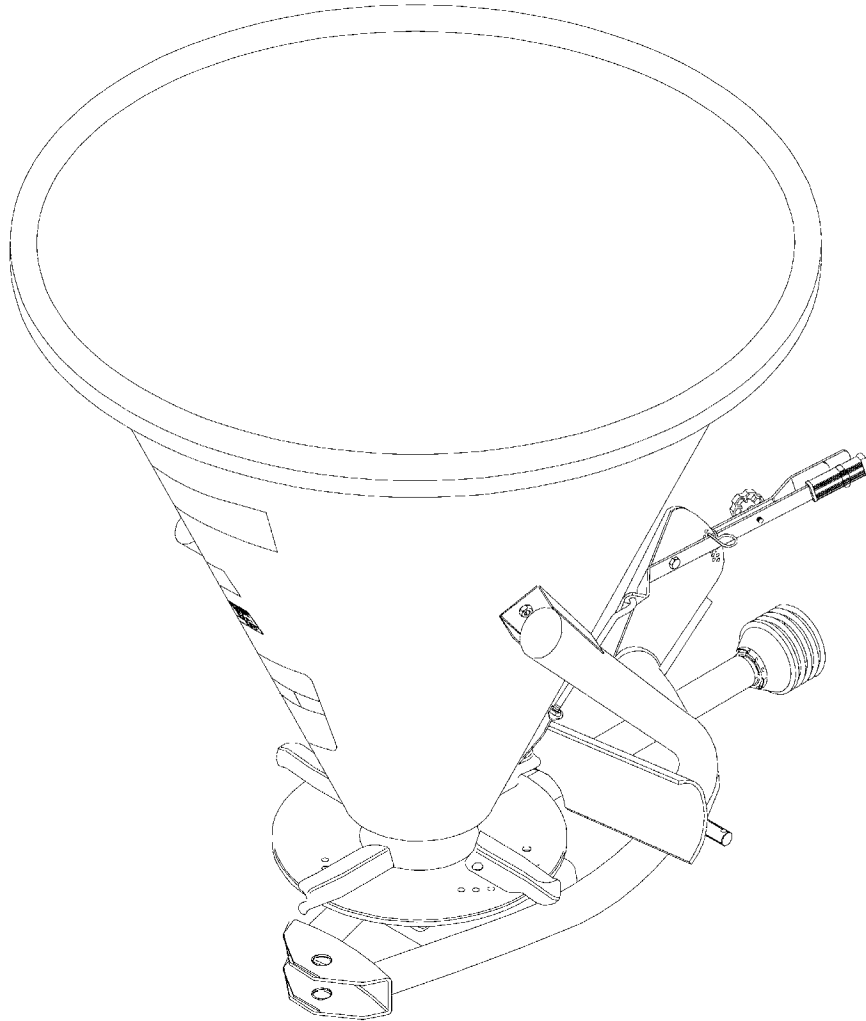


Fertilizer Spreader

FSP500, FSP700 & FSP1000



24974

309-065P **Parts Manual**



Read the Operator's Manual entirely. When you see this symbol, the subsequent instructions and warnings are serious - follow without exception. Your life and the lives of others depend on it!

© Copyright 2018 Printed 07/10/18

Cover photo may show optional equipment not supplied with standard unit.





Table of Contents

Section 1: Introduction.....	4
Using This Manual.....	4
Manual Replacement Information.....	4
Manual Revisions.....	4
Touch-up Paint.....	4
Hardware Legend.....	5
Replacement Hardware.....	5
Serial Numbers.....	5
Part Number Service Coding.....	5
Section 2: Complete Assembly.....	6
Complete Assembly.....	6
Section 3: Drivelines.....	8
Driveline (311.000) Binacchi.....	8
Driveline (311.001) Eurocardan.....	10
Section 4: Gearbox.....	12
Gearbox (322.002).....	12
Section 5: Decals.....	14
Decal Placement.....	14
Land Pride Touch-up Paints.....	16
Section 6: Options.....	18
Hopper Cover Polyester.....	18
Part Number Index.....	20

© Copyright 2018. All rights reserved.

Land Pride provides this publication “as is” without warranty of any kind, either expressed or implied. While every precaution has been taken in the preparation of this manual, Land Pride assumes no responsibility for errors or omissions. Neither is any liability assumed for damages resulting from the use of the information contained herein. Land Pride reserves the right to revise and improve its products as it sees fit. This publication describes the state of this product at the time of its publication, and may not reflect the product in the future. The illustrations in this manual are not intended for safe and proper assembly or disassembly of equipment. The illustrations are intended for ordering parts only.

Land Pride is registered trademark.

All other brands and product names are trademarks or registered trademarks of their respective holders.

Printed in the United States of America.



Alphabetized Table of Contents

C	
Complete Assembly.....	6
D	
Decal Placement.....	14
Driveline (311.000) Binacchi.....	8
Driveline (311.001) Eurocardan.....	10
G	
Gearbox (322.002).....	12
H	
Hopper Cover Polyester.....	18
L	
Land Pride Touch-up Paints.....	16

General Information

Using This Manual

This manual is divided into sections. The first section contains General Information. The remaining sections divide the machine into segments (i.e. Frames, Drives, Hydraulics, etc.) which illustrate and list all parts. A Parts Number Index is located at the back of the book.

The Land Pride parts in this manual are specially designed for this machine and should be replaced with Land Pride parts only.

The information in this manual is current at time of printing. Some parts may change to assure top performance.

Right-hand and left-hand as used in this manual are determined by facing the direction the machine will travel while in use.

Below is an example of two facing pages from a parts manual. Familiarize yourself with the type of information contained on these pages.

Manual Replacement Information

Replacement manuals are available. Refer to our website at www.landpride.com or e-mail us at lit@landpride.com for additional information. Our website continues to provide the most up-to-date manuals available.

Touch-up Paint

Repaint parts where paint is worn or scratched to prevent rust. Aerosol cans and touch-up bottles with brush applicator are available through your local dealer. Also available are quart and gallon size paints. Add QT or GL to end of the Aerosol P/N.

Land Pride color descriptions and part numbers are listed on the "Land Pride Touch-up Paints" page in the "Decals" section of this book. Color options vary by product.



General Information

Hardware Legend

AR	As Required
BLADE	Blade Bolt
C	Cap Screw
CP	Cotter Pin
CPHSSS	Cup Point Hex Socket Set Screw
CPSHSS	Cup Point Square Head Set Screw
CPSQHSS	Cup Point Square Head Set Screw
CRFCHMS3	Cross Recess Flat Countersunk Head Machine Screw
CRPHMS	Cross Recess Pan Head Machine Screw
CRPHTF	Cross Recess Pan Head Thread Forming
CRRHMS	Cross Recess Round Head Machine Screw
CRTHMS	Cross Recess Truss Head Machine Screw
CSNB	Countersunk Square Neck Bolt
FHMS	Flat Head Machine Screw
FTC	Full Thread Cap Screw
H	Hex Nut
HCLN	Hex Center Lock Nut
HFLCS	Hex Flange Lock Cap Screw
HFS	Hex Flange Screw
HFSLN	Hex Flange Serrated Lock Nut
HFSS	Hex Flange Serrated Screw
HHCS	Hex Head Cap Screw or Metric Bolt
HSBHCS	Hex Socket Button Head Cap Screw
HSFCHCS	Hex Socket Flat Countersunk Head Cap Screw
HSHCS	Hex Socket Head Cap Screw
HSSS	Hex Socket Head Screw
HTLN	Hex Top Lock Nut
HWHCS	Hex Washer Head Cap Screw

HWHMS	Hex Washer Head Machine Screw
HXBHCS	Hex Socket Button Head Cap Screw
J	Hex Jam Nut
JIC	37 Degree Tapered Thread
L	Helical Spring Lock Washer
LUG	Lug Bolt
NFC	National Fine Cap Screw
NPSM	National Pipe Straight Mechanical
NPTF	National Pipe Taper Fuel
P	Wide Plain Washer
PHMS	Pan Head Machine Screw
PLOW	Plow Bolt
RHMS	Round Head Machine Screw
RHSNB	Round Head Square Neck Bolt
SCREW LEVELING	Leveling Screw
SCREW THUMB	Thumb Screw
SCREW WELD	Weld Screw
SFCHMS	Slotted Flat Countersunk Head Machine Screw
SFHMS	Slotted Fillister Head Machine Screw
SP	Special
SP SCREW	Special Screw
SOHSS	Square Head Set Screw
SRHMS	Slotted Round Head Machine Screw
SSS	Socket Set Screw
STCS	Self Tapping Cap Screw
STHMS	Slotted Truss Head Machine Screw
WHEEL	Wheel Studs and Hub Long Bolts
WING	Wing Bolt

Replacement Hardware

The **Hardware Legend** above lists hardware abbreviations used in the parts list. All bolts and nuts are Grade 5 unless otherwise noted. The use of improper grades of hardware can result in personal injury, damage to equipment, or loss of property.

Colored Replacement Parts

Land Pride offers replacement parts in factory standard colors and also on select models in Green, Orange, Red and Blue. Because of the variety of colors available, special attention must be given to the part number to prevent ordering the wrong replacement part.

A suffix number corresponding to one of the colors below must be added at the end of Land Pride's part number when ordering a replacement part with that color.

81 Green 83 Red
82 Orange 84 Blue

For example, if you are ordering a replacement part with part number 555-555C and the part you need is red, then add the suffix 83 to the end of the number to make the part number read 555-555C83. Parts ordered without a suffix number will be supplied in factory standard colors.

Black Replacement Parts

Some parts are factory standard black and some must be special ordered black. If your part is special ordered black, a second part number with the additional suffix number 85 on the end will be available. In this situation you must order that part with the suffix number for it to be black. Parts that are factory standard black will not have the suffix number.

Part Number Service Coding

Within the parts list some part numbers are coded for revisions and interchangeability. See notations in revision column.

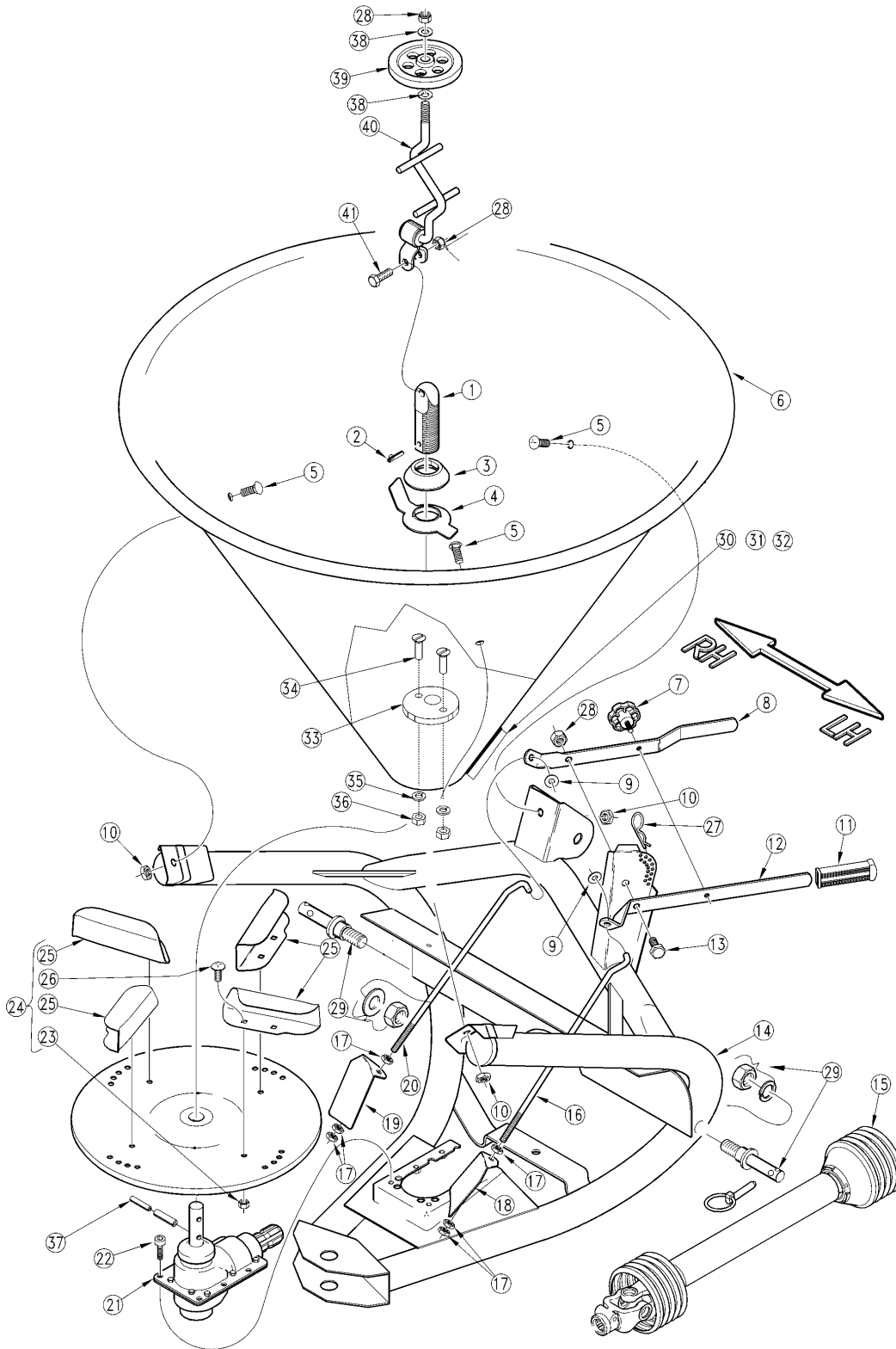
Serial Numbers

Always use the serial and model number when ordering parts. Refer to the Operator's Manual for serial number plate location.

- (S/N 20001+) Includes serial numbers 20001 and above (to the latest number)
- (S/N 10001 to 20000) Includes serial numbers between and including 10001 and 20000
- (S/N 10000-) Includes serial numbers 10000 and below (to the earliest number)

Complete Assembly

Applies to FSP1000, FSP500, FSP700



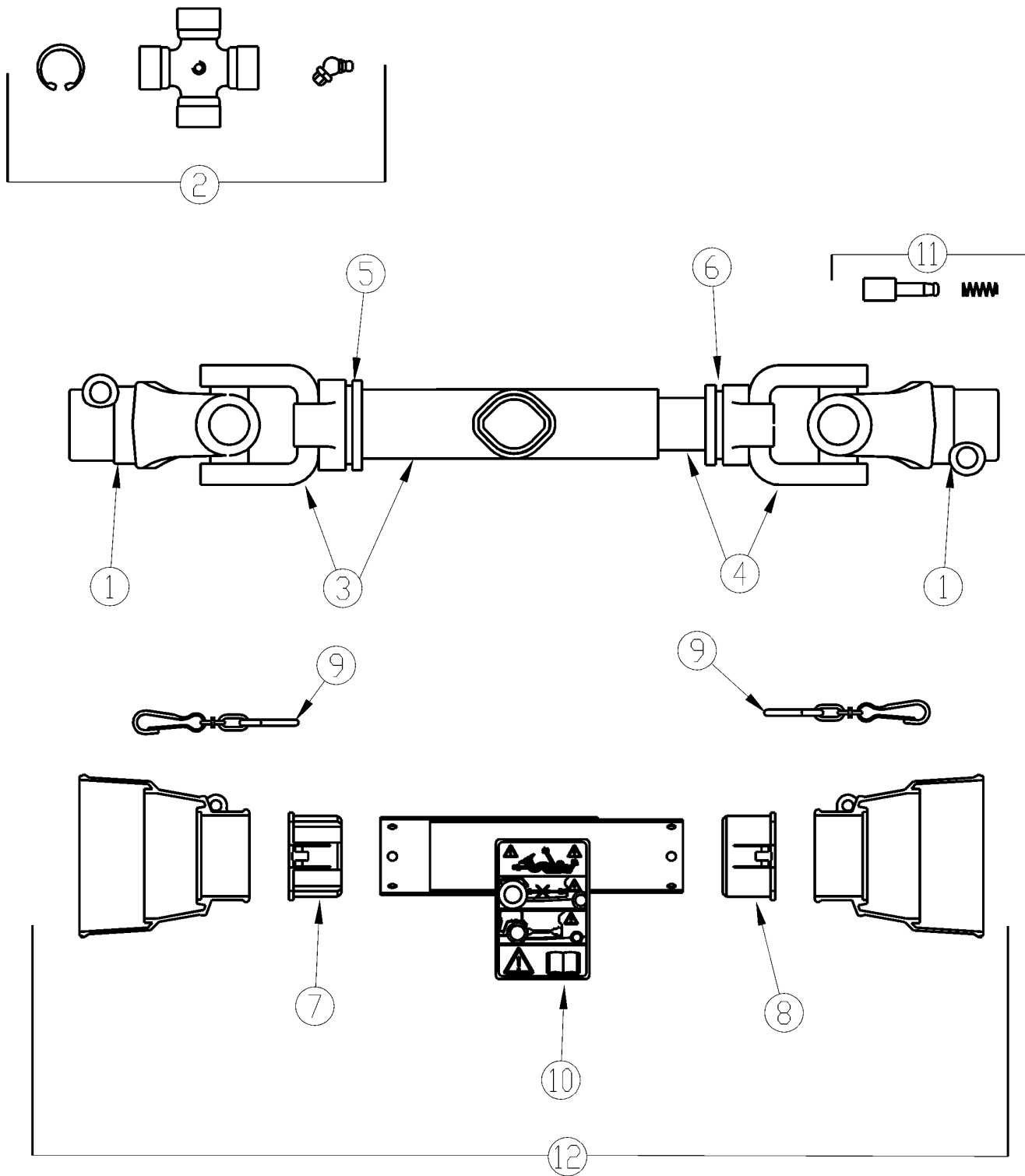
25692

Complete Assembly**Applies to FSP1000, FSP500, FSP700**

Ref	Part No.	Part Description	Comments	Revision
	dwg25692	Drawing Image Number		
1.	330.001	COSMO ENTRAINER		
2.	305.001	COSMO SPRING PIN 8X40		
3.	304.013	COSMO RING RUBBER		
4.	619.002	COSMO LOWER AGITATOR		
5.	300.044	COSMO SCREW TTQST 10X20		
6.	817-756C	HOPPER FSP500 PLASTIC COMPLETE		
6.	817-757C	HOPPER FSP700 PLASTIC COMPLETE		
6.	817-758C	HOPPER FSP1000 PLSTIC COMPLETE		
7.	302.003	COSMO LEVER LOCK KNOB		
8.	604.001	COSMO RIGHT LEVER		
9.	303.009	COSMO WSHR FLT 10.5X21 UNI6592		
10.	301.010	COSMO NUT HEX M10 UNI 5588		
11.	304.008	COSMO RUBBER GRIP		
12.	604.002	COSMO LEFT LEVER		
13.	300.024	COSMO SCRW HX HD 12X35 UNI5739		
14.	613.003	COSMO FRAME "PIN" STYLE		
15.	311.000	BINACCHI DRIVELINE	Welded Yokes to inner & outer tubes	
15.	311.001	COSMO DRIVELINE	Roll Pined Yokes to inner & outer tubes	
16.	602.002	COSMO LEFT TIE ROD		
17.	803-279C	NUT HEX M10X1.5 PLT		
18.	605.006	COSMO LEFT SHUTTER		
19.	605.005	COSMO RIGHT SHUTTER		
20.	602.001	COSMO RIGHT TIE ROD		
21.	322.002	COSMO G-BOX		
22.	300.014	COSMO HX SCKT HD CP SCRW 8X16		
23.	301.012	COSMO NUT HEX M8 UNI 5588		
24.	610.019	COSMO SPRDR DSK W/STNLS STL VN		
25.	601.002	COSMO STAINLESS STL DIST. VANE		
26.	300.030	COSMO RND HD SCRW 8X16 UNI5731		
27.	307.001	COSMO PIN HAIR COTTER		
28.	301.008	COSMO SELF LOCK NUT M12		
29.	633.001	COSMO PIN LOWER LINK		
30.	622.030	COSMO LATERAL SLIDE RH	Use Rivets Furnished by Customer to Install	
31.	622.027	COSMO LATERAL SLIDE CENTER	Use Rivets Furnished by Customer to Install	
32.	622.031	COSMO LATERAL SLIDE LH	Use Rivets Furnished by Customer to Install	
33.	614.002	COSMO PLATE BOTTOM HOPPER		
34.	300.040	COSMO SCREW TSEI 8X20		
35.	303.013	COSMO WASHER 8X24		
36.	301.012	COSMO NUT HEX M8 UNI 5588		
37.	305.003	COSMO SPRING PIN 5X40		
38.	303.026	WASHER FLAT 13X25 UNI6592		
39.	304.018	COSMO BUFFER WHEEL		
39.	304.011	RPBY 304.018		
40.	613.009	COSMO AGITATOR FRAME UPPER		
41.	802-654C	HHCS M12X1.75X55 GR 8.8		

Driveline (311.000) Binacchi

Applies to FSP1000, FSP500, FSP700



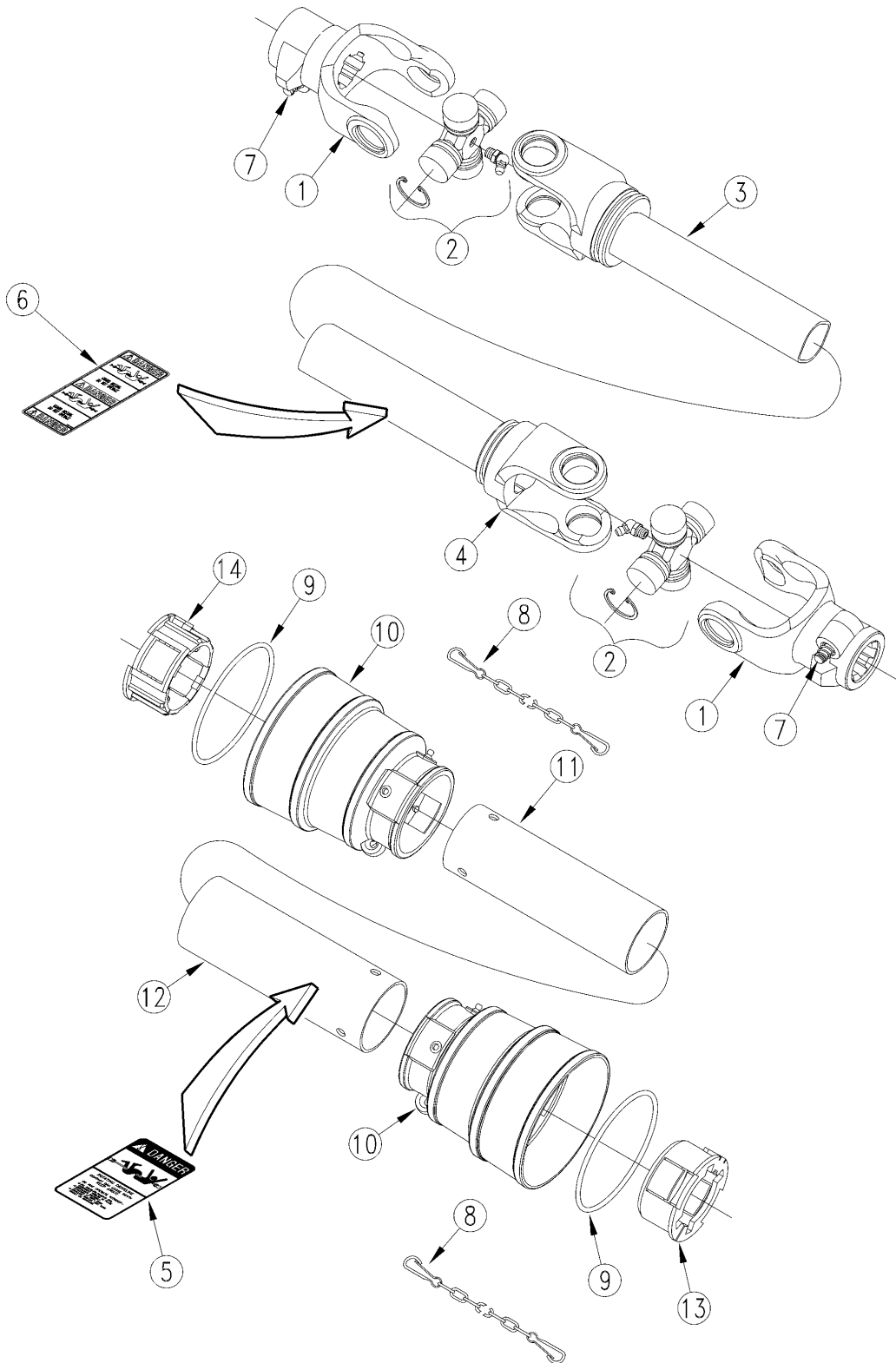
35310

Driveline (311.000) Binacchi**Applies to FSP1000, FSP500, FSP700**

Ref	Part No.	Part Description	Comments	Revision
	dwg35310 311.000	Drawing Image Number BINACCHI DRIVELINE *		
1.	0800103C	BN YOKE		
2.	08201C	RPBY 311.423		
2.	311.423	BN CROSS JOURNAL ASSEMBLY		
3.	0815010512	BN YOKE WITH OUTER TUBE		
4.	0815010511	BN YOKE WITH INNER TUBE		
5.	0239007003	BN OUTER CLIP COLLAR		
6.	0239007004	BN INNER CLIP COLLAR		
7.	0835117	BN OUTER BEARING		
8.	0835116	BN INNER BEARING		
9.	0252000001	BN CHAIN	S/N 946472-	
10.	09872003	BN EXTERNAL SHIELD LABEL		
11.	0986014047	BN COMPLETE PUSH BUTTON		
12.	083Q01051	BN SAFETY GUARD		

Driveline (311.001) Eurocardan

Applies to FSP1000, FSP500, FSP700



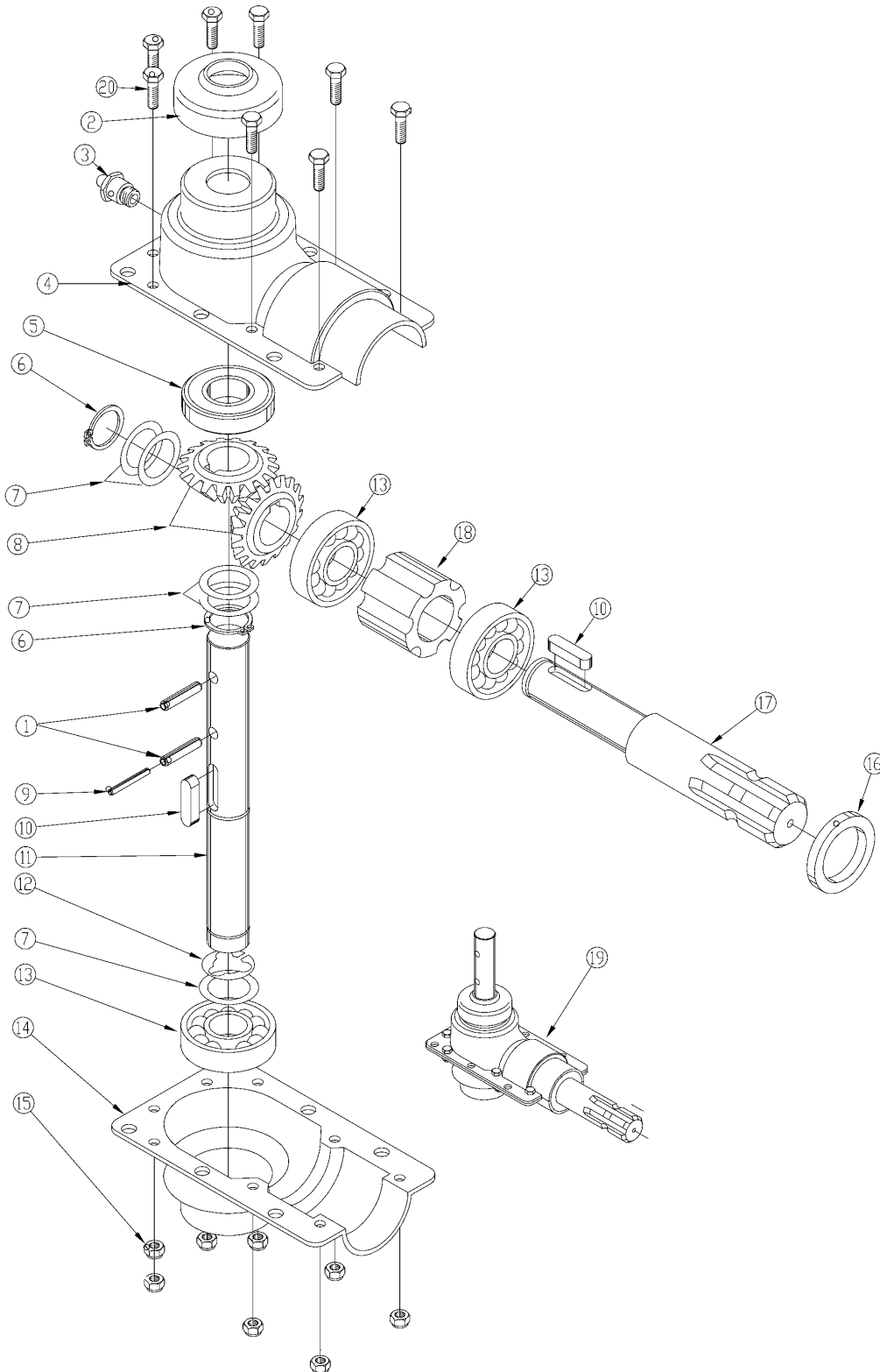
18111

Driveline (311.001) Eurocardan**Applies to FSP1000, FSP500, FSP700**

Ref	Part No.	Part Description	Comments	Revision
	dwg18111 311.001	Drawing Image Number COSMO DRIVELINE *		
1.	1021010	EC YOKE ASSEMBLY (TRACT. END)		
2.	1001020	EC CROSS ASSEMBLY (U JOINT)		
3.	1991034N	EC INSIDE TUBE WITH YOKE		
4.	1981032N	EC OUTSIDE TUBE WITH YOKE		
5.	818-552C	DECAL DANGER PTO DRIVELINE		
6.	818-540C	DECAL DANGER GUARD MISS PTO		
7.	1581038	EC COMPLETE PUSH-PIN KIT		
8.	044321	DRIVELINE SHIELD SAFETY CHAIN	S/N 946472-	
9.	1211233	EC STIFFENING RING		
10.	1781003	EC STANDARD SOFT CONE		
11.	1871031	EC INNER TUBE		
12.	1770031	EC OUTER TUBE		
13.	1781005	EC TUBE BEARING (OUTER)		
14.	1781004	EC TUBE BEARING (INNER)		

Gearbox (322.002)

Applies to FSP1000, FSP500, FSP700



22166

Gearbox (322.002)**Applies to FSP1000, FSP500, FSP700**

Ref	Part No.	Part Description	Comments	Revision
	dwg22166 322.002	Drawing Image Number COSMO G-BOX *		
1.	305.001	COSMO SPRING PIN 8X40		
2.	304.002	OUTPUT SHAFT COWLING		
3.	306.002	COSMO GREASE NIPPLE		
4.	314.002	COSMO UPPER SHELL		
5.	310.001	COSMO BALL BEARING OUTPUT TOP		
6.	313.011	COSMO INTERNAL RETAINER RING		
7.	303.011	WASHER 25X35X0,5 DIN 988		
8.	316.003	COSMO PINION GEAR		
9.	305.003	COSMO SPLIT PIN		
10.	326.003	COSMO SPLINE KEY		
11.	323.009	COSMO OUTPUT SHAFT		
12.	313.010	COSMO EXTERNAL RETAINER RING		
13.	310.002	COSMO BALL BEARING IN/OUTPUT		
14.	314.001	COSMO LOWER SHELL		
15.	301.009	SELF LOCKING NUT M6		
16.	060127	OMNI SEAL-INPUT CR13930		
17.	323.008	COSMO INPUT SHAFT		
18.	329.011	COSMO SPACER INPUT SHAFT		
19.	322.002	COSMO G-BOX		
20.	300.026	COSMO HEX HEAD CAP SCREW		

Decal Placement**Applies to FSP1000, FSP500, FSP700**

Ref	Part No.	Part Description	Comments	Revision
	dwg17571	Drawing Image Number		
1.	818-764C	DECAL FERT. SPREADING CHART		
2.	818-541C	DECAL DANGER TOXIC CHEMICAL		
3.	818-542C	DECAL NOTICE FERT PTO INFO		
4.	818-540C	DECAL DANGER GUARD MISS PTO		
5.	818-552C	DECAL DANGER PTO DRIVELINE		
6.	818-539C	DECAL DANGER THROWN OBJ FERT		
7.	848-091C	DECAL FSP1000 BROWN		
8.	848-090C	DECAL FSP700 BROWN		
9.	848-089C	DECAL FSP500 BROWN		
10.	818-895C	RPBY 848-450C		
10.	848-450C	DECAL LP W/TREE 19" BROWN/GOLD		

Land Pride Touch-up Paints

Applies to FSP1000, FSP500, FSP700

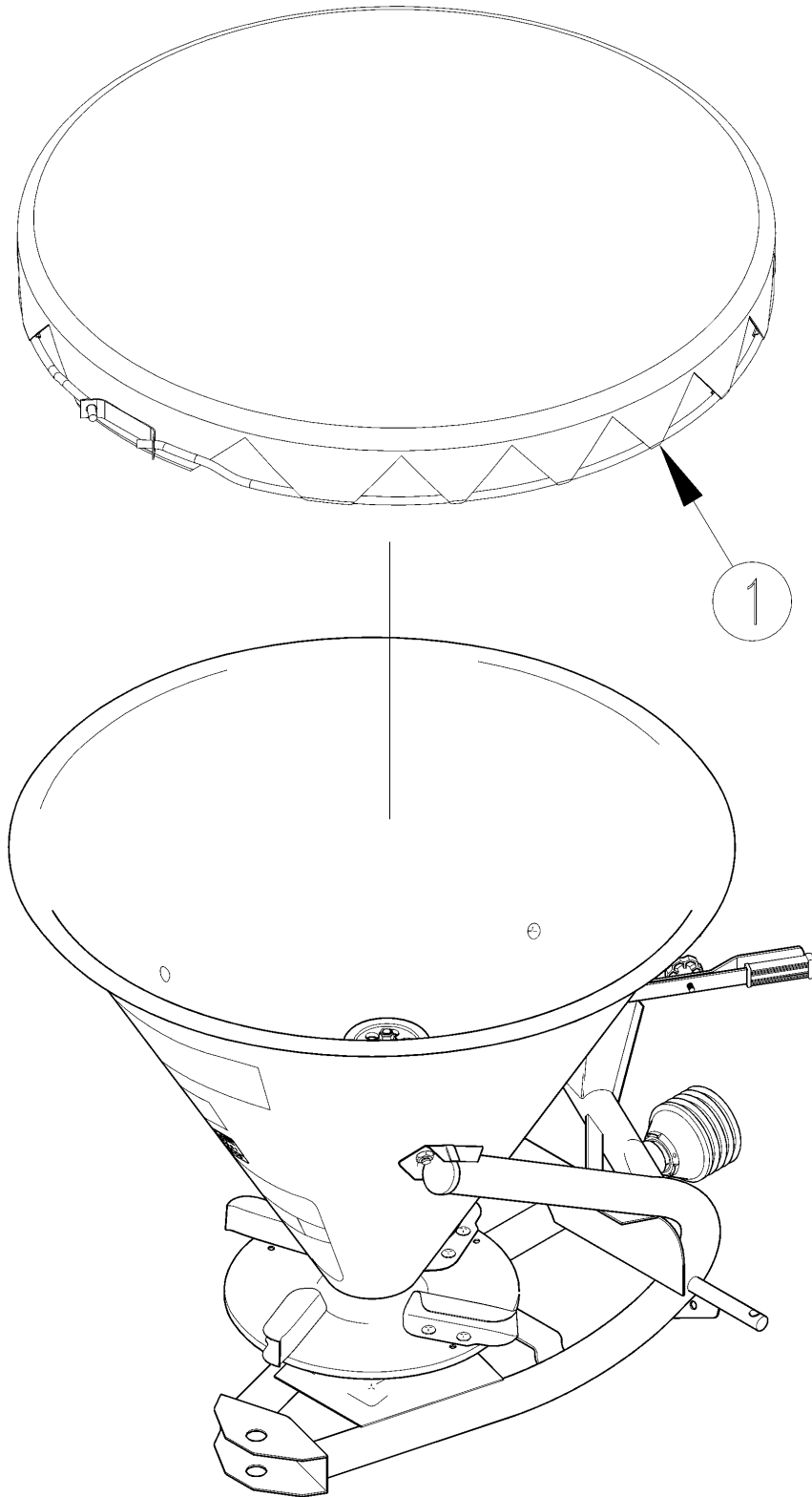
No diagram associated with this Parts List

Land Pride Touch-up Paints**Applies to FSP1000, FSP500, FSP700**

Ref	Part No.	Part Description	Comments	Revision
1.	821-011C	LP BEIGE SPRAY CAN	Spray can	
1.	821-070C	GLOSS BLACK SPRAY CAN	Spray can	
1.	821-054C	MED. RED SPRAY TRCK/CTR	Spray can	
1.	821-058C	GREEN SPRAY CUTTERS	Spray can	
1.	821-066C	ORANGE SPRAY CAN	Spray can	
1.	821-067C	BLUE SPRAY CAN	Spray can	
1.	821-080C	PAINT ALUMINUM/ZINC SPRAY CAN	Spray can	
2.	821-011CTU	LP BEIGE TOUCH-UP 5OZ	Touch-up bottle with brush	
2.	821-070CTU	GLOSS BLACK TOUCH-UP 5OZ	Touch-up bottle with brush	
2.	821-054CTU	MED RED TOUCH-UP 5OZ	Touch-up bottle with brush	
2.	821-058CTU	GREEN TOUCH-UP 5OZ	Touch-up bottle with brush	
2.	821-066CTU	ORANGE TOUCH-UP 5OZ	Touch-up bottle with brush	
2.	821-067CTU	BLUE TOUCH-UP 5OZ	Touch-up bottle with brush	
2.	821-080CTU	PAINT ALUMINUM/ZINC TOUCH UP	Touch-up bottle with brush	
3.	821-011CQT	LP BEIGE QUART	Quart can	
3.	821-070CQT	GLOSS BLACK QUART	Quart can	
3.	821-054CQT	MED RED QUART	Quart can	
3.	821-058CQT	GREEN QUART	Quart can	
3.	821-066CQT	ORANGE QUART	Quart can	
3.	821-067CQT	BLUE QUART	Quart can	
3.	821-080CQT	PAINT ALUMINUM/ZINC QUART	Quart can	
4.	821-011CGL	LP BEIGE GALLON	Gallon can	
4.	821-070CGL	GLOSS BLACK GALLON	Gallon can	
4.	821-054CGL	MED RED GALLON	Gallon can	
4.	821-058CGL	GREEN GALLON	Gallon can	
4.	821-066CGL	ORANGE GALLON	Gallon can	
4.	821-067CGL	BLUE GALLON	Gallon can	
4.	821-080CGL	PAINT ALUMINUM/ZINC GALLON	Gallon can	

Hopper Cover Polyester

Applies to FSP1000, FSP500, FSP700



27759

Hopper Cover Polyester

Applies to FSP1000, FSP500, FSP700

Ref	Part No.	Part Description	Comments	Revision
	dwg17571	Drawing Image Number		
1.	891-145C	FSP500 HOPPER COVER	FSP500	
1.	891-146C	FSP700 & FSP1000 HOPPER COVER	FSP700 & FSP1000	



Part Number Index

The Part Number Index is a numeric index of all part numbers included in this manual. The index shows what page(s) the part is used on.

Part Number	Page	Part Number	Page
0239007003	9	605.005	7
0239007004	9	605.006	7
0252000001	9	610.019	7
044321	11	613.003	7
060127	13	613.009	7
0800103C	9	614.002	7
0815010511	9	619.002	7
0815010512	9	622.027	7
08201C	9	622.030	7
0835116	9	622.031	7
0835117	9	633.001	7
083Q01051	9	802-654C	7
0986014047	9	803-279C	7
09872003	9	817-756C	7
1001020	11	817-757C	7
1021010	11	817-758C	7
1211233	11	818-539C	15
1581038	11	818-540C	11, 15
1770031	11	818-541C	15
1781003	11	818-542C	15
1781004	11	818-552C	11, 15
1781005	11	818-764C	15
1871031	11	818-895C	15
1981032N	11	821-011C	17
1991034N	11	821-011CGL	17
300.014	7	821-011CQT	17
300.024	7	821-011CTU	17
300.026	13	821-054C	17
300.030	7	821-054CGL	17
300.040	7	821-054CQT	17
300.044	7	821-054CTU	17
301.008	7	821-058C	17
301.009	13	821-058CGL	17
301.010	7	821-058CQT	17
301.012	7	821-058CTU	17
302.003	7	821-066C	17
303.009	7	821-066CGL	17
303.011	13	821-066CQT	17
303.013	7	821-066CTU	17
303.026	7	821-067C	17
304.002	13	821-067CGL	17
304.008	7	821-067CQT	17
304.011	7	821-067CTU	17
304.013	7	821-070C	17
304.018	7	821-070CGL	17
305.001	7, 13	821-070CQT	17
305.003	7, 13	821-070CTU	17
306.002	13	821-080C	17
307.001	7	821-080CGL	17
310.001	13	821-080CQT	17
310.002	13	821-080CTU	17
311.000	7, 9	848-089C	15
311.001	7, 11	848-090C	15
311.423	9	848-091C	15
313.010	13	848-450C	15
313.011	13	891-145C	19
314.001	13	891-146C	19
314.002	13	dwg17571	15, 19
316.003	13	dwg18111	11
322.002	7, 13	dwg22166	13
323.008	13	dwg25692	7
323.009	13	dwg35310	9
326.003	13		
329.011	13		
330.001	7		
601.002	7		
602.001	7		
602.002	7		
604.001	7		
604.002	7		

This Page Intentionally Left Blank



Great Plains Manufacturing, Inc.

Corporate Office: P.O. Box 5060
Salina, Kansas 67402-5060 USA

www.landpride.com
