

Front Roller Option Assembly Instructions



Use with 15 Series 48" & 72" Overseeder

Manual No. 308-305M

Before You Start

IMPORTANT: Before you begin, read these instructions and check to be sure all parts and tools are accounted for. Please retain these installation instructions for future reference and parts ordering information.

Your Overseeder is exclusively designed for your Land Pride OS1548 & OS1572. Please read these installation instructions and your Overseeder Operator's Manual thoroughly before beginning. Especially read information relating to safety concerns. Also included in the Operator's Manual is important information on operation, adjustment, troubleshooting, and maintenance for this attachment (some manual sections do not apply to all accessories).

A separate Parts Manual for replacement parts can be purchased from your nearest Land Pride dealer or downloaded free of charge from our web site at www.landpride.com. Have model and serial numbers handy when placing an order.

Manual Part Numbers:

- Operator's Manual 308-303M
- Parts Manual 308-303P

General Information

These option assembly instructions apply to the **Front Roller Packages** listed below:

308-258A OS1548 Front Roller Assembly

308-259A OS1572 Front Roller Assembly

A detailed listing of parts for each accessory kit is provided on page 3. Use the list that is for your Overseeder as a checklist to inventory parts received. Please contact your local Land Pride dealer for any missing hardware.

Tools Required:

- Safety glasses
- Work gloves
- Pencil
- Tape Measure
- Center punch
- Hammer
- Electric drill with 21/32" drill bit
- Extension cord (if required)
- Set of wrenches
- 3/8" or 1/2" ratchet wrench set

Further Assistance

Your dealer wants you to be satisfied with your new seeder. If for any reason you do not understand any part of this manual or are not satisfied with the service received, the following actions are suggested:

1. Discuss the matter with your dealership service manager making sure he is aware of any problems you may have and that he has had the opportunity to assist you.
2. If you are still not satisfied, seek out the owner or general manager of the dealership, explain the problem and request assistance.
3. For further assistance write to:

Land Pride Service Department
1525 East North Street
P.O. Box 5060
Salina, Ks. 67402-5060

E-mail address
lp servicedept@landpride.com

Assembly Instructions

NOTE: Some parts may already be assembled.

Refer to Figure 1:

1. Locate and drill two 21/32" front roller mounting holes in the location shown.

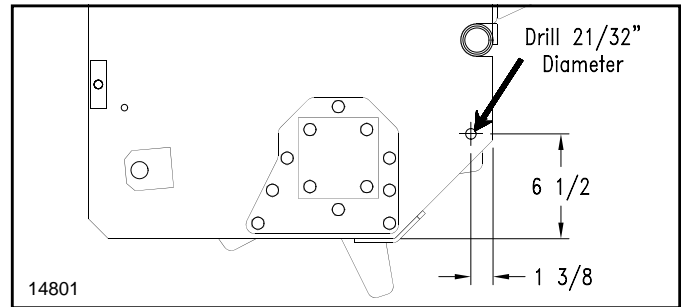
Refer to Figure 2:

2. Attach floating top link (#1) to overseeder hitch using spacer tube (#2), 3/4" x 4" bolt (#3), lock washer (#4), and hex nut (#5). Tighten nut to the correct torque.
3. Assembly front roller scraper (#25) to mounting brackets (#22) with 1/2"-13 x 1 1/4" GR5 bolt (#26), lock washers (#27) and hex nuts (#28). Draw hex nuts up snug.
4. Bolt mounting brackets (#22), front roller arm (#6), and front roller (#7) together with two 1/2"-13 x 2" GR5 bolts (#23), flat washers (#24), spring lock washers (#9) and hex nuts (#10). Draw nuts up snug.
5. Bolt mounting brackets (#22), front roller arm (#6), and front roller (#7) together with two 1/2"-13 x 2" GR5 bolts (#23), flat washers (#27), spring lock washers (#9) and hex nuts (#10). Draw nuts up snug.
6. Bolt front roller arm (#6), and front roller (#7) together with two 1/2"-13 x 1 3/4" GR5 bolts (#8), spring lock washers (#9) and hex nuts (#10). Draw nuts up snug.
7. Attach front roller assembly to your overseeder using 5/8"-11 x 2" GR5 bolts (#11), lock washers (#12) and hex nuts (#13).
8. Tighten hex nuts (#10 & #13) to the correct torque.
9. Adjust front roller scraper (#25) with a slight gap between scraper and front roller arm (#6). Hold scraper in this position and tighten hex nuts (#28) to the correct torque.
10. Use 1/2" x 2 1/2" x 3 1/2" long U-bolts (#15), lock washers (#16), and hex nuts (#17) to attach turnbuckle mounts (#14) to the Overseeder frame.

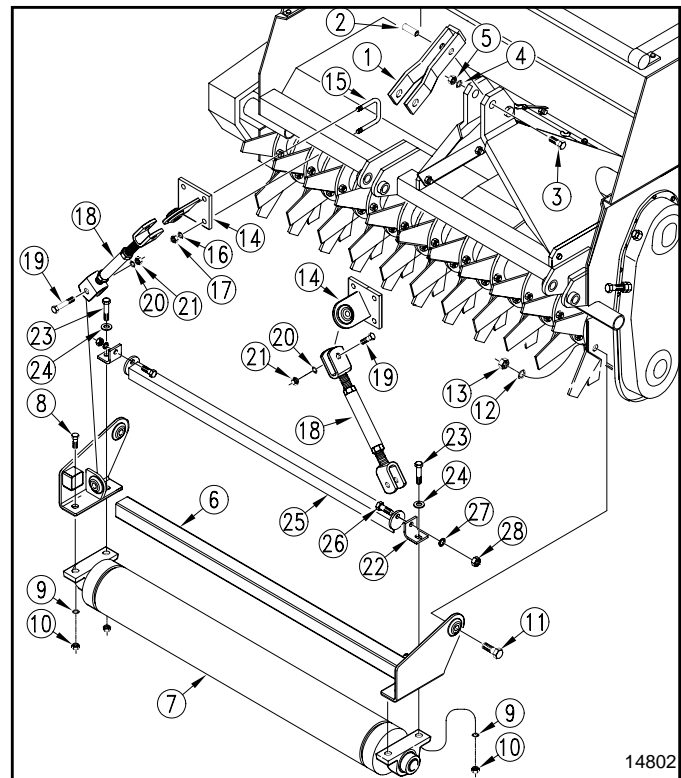
Refer to Figure 2 & Figure 3:

NOTE: 7 11/16" dimension in Figure 3 is the same on both 48" model and 72" model Overseeders

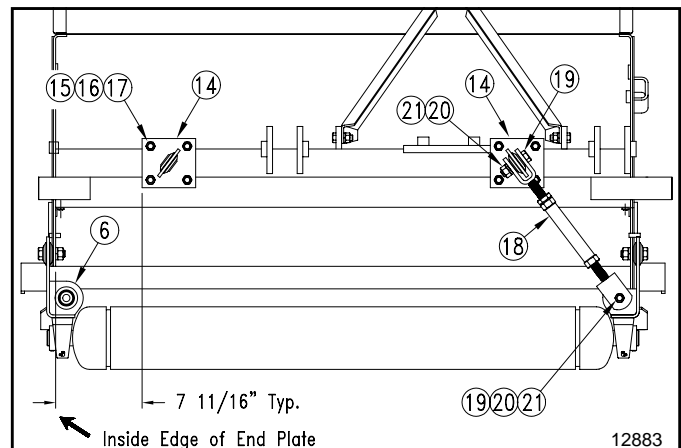
11. Turnbuckle Mounts (#14) should be Spaced 7 11/16" from inside edge of end plates as shown.
12. Attach turnbuckles (#18) to mounts (#14) and front roller arm (#6) with 5/8"-11 x 2 1/2" GR5 bolts (#19), lock washers (#20) and hex nuts (#21). Tighten nuts to the correct torque.
13. Refer to Section on Adjustments in your Overseeder Operator's Manual 308-303M for instructions on how to set cutting depth of knives with the front roller.



Hole Locations Typical on Both Ends of Seeder
Figure 1



Front Roller Assembly (Model OS1548 Shown)
Figure 2



Turnbuckle Locations Typical on Both Ends of Seeder
Figure 3

308-258A 15 Series 48" Overseeder Front Roller Assembly

Your Kit Includes:

Qty.	Part No.	Part Description
1	308-247H	FRONT ROLLER WELDMENT OS1548
2	308-252K	TURNBUCKLE ASSY 12 3/8-17 7/8
2	308-253H	UPPER TURNBUCKLE MOUNT
1	308-255H	FRONT ROLLER ARM OS1548
1	308-260H	FLOATING TOP LINK
1	308-348H	OS1548 FRNT ROLLER SCRAPER RVSBL
1	308-400D	SPACER 1 1/4OD X 13/16ID X 2LG
2	308-405D	FRONT ROLLER SCRAPER (MOUNTING ANGLE)
2	802-034C	HHCS 1/2-13X1 1/4 GR5
2	802-055C	HHCS 5/8-11X2 GR5
4	802-058C	HHCS 5/8-11X2 1/2 GR5
1	802-068C	HHCS 3/4-10X4 GR5
2	802-082C	HHCS 1/2-13X1 3/4 GR5
2	802-128C	HHCS 1/2-13X2 GR5
14	803-020C	NUT HEX 1/2-13 PLT
6	803-021C	NUT HEX 5/8-11 PLT
1	803-027C	NUT HEX 3/4-10 PLT
14	804-015C	WASHER LOCK SPRING 1/2 PLT
2	804-017C	WASHER FLAT 1/2 USS PLT
6	804-022C	WASHER LOCK SPRING 5/8 PLT
1	804-023C	WASHER LOCK SPRING 3/4 PLT
4	806-010C	U-BOLT 1/2-13 X 2 1/2 X 3 1/2
2	822-094C	BRG PB 1.37ID

308-259A 15 Series 72" Overseeder Front Roller Assembly

Your Kit Includes:

Qty.	Part No.	Part Description
1	308-248H	FRONT ROLLER WELDMENT OS1572
2	308-252K	TURNBUCKLE ASSY 12 3/8-17 7/8
2	308-253H	UPPER TURNBUCKLE MOUNT
1	308-256H	FRONT ROLLER ARM WELDMENT OS1572
1	308-260H	FLOATING TOP LINK
1	308-349H	OS1572 FRONT ROLLER SCRAPER RV
1	308-400D	FLOATING TOP LINK SPACER TUBE
2	308-405D	FRONT ROLLER SCRAPER (MOUNTING ANGLE)
2	802-034C	HHCS 1/2-13X1 1/4 GR5
2	802-055C	HHCS 5/8-11X2 GR5
4	802-058C	HHCS 5/8-11X2 1/2 GR5
1	802-068C	HHCS 3/4-10X4 GR5
2	802-082C	HHCS 1/2-13X1 3/4 GR5
2	802-128C	HHCS 1/2-13X2 GR5
14	803-020C	NUT HEX 1/2-13 PLT
6	803-021C	NUT HEX 5/8-11 PLT
1	803-027C	NUT HEX 3/4-10 PLT
14	804-015C	WASHER LOCK SPRING 1/2 PLT
2	804-017C	WASHER FLAT 1/2 USS PLT
6	804-022C	WASHER LOCK SPRING 5/8 PLT
1	804-023C	WASHER LOCK SPRING 3/4 PLT
4	806-010C	U-BOLT 1/2-13 X 2 1/2 X 3 1/2
2	822-094C	BEARING PILLOW BLOCK 1 3/8BORE



Corporate Office: P.O. Box 5060
Salina, Kansas 67402-5060 USA
www.landpride.com
