

Slit Seeder Option Assembly Instructions



15 Series Overseeder

Manual No. 308-265M

Before You Start



When you see this symbol, the subsequent instructions and warnings are serious - follow without exception. Your life and the lives of others depend on it!

IMPORTANT: Before you begin, read these instructions and check to be sure all parts and tools are accounted for. Please retain these installation instructions for future reference and parts ordering information.

These optional assembly instructions contain only information on assembling the attachment to the main unit. A detailed Operator's Manual was supplied with the main unit. Refer to the Operator's Manual for additional specific information especially information relating to safety concerns. Also included in the Operator's Manual is important information on operation, adjustment, troubleshooting, and maintenance for this attachment (some manual sections do not apply to all options).

A separate Parts Manual for replacement parts can be purchased from your dealer or available free of charge at www.landpride.com. Have model and serial numbers handy when placing an order.

Manual Part Numbers:

- Operator's Manual (15 Series) 308-303M
- Parts Manual (15 Series) 308-303P

General Information

These assembly instructions apply to the **Slit Seeder Kits** listed below:

- 308-152A** **OS1572 Slit Seeder w/2" Spacing**
- 308-155A** **OS1572 Slit Seeder w/3" Spacing**
- 308-160A** **OS1548 Slit Seeder w/2" Spacing**
- 308-163A** **OS1548 Slit Seeder w/3" Spacing**

Starting on page 5 is a detailed listing of parts included in these kits. Use this list as a checklist to inventory parts received.

Assembly Instructions

Install support blocks under the rear end panels of the overseeder to provide 2"-4" of ground clearance. Lower the overseeder onto the support blocks and ensure that it is stable before proceeding. Block the tractor wheels securely.

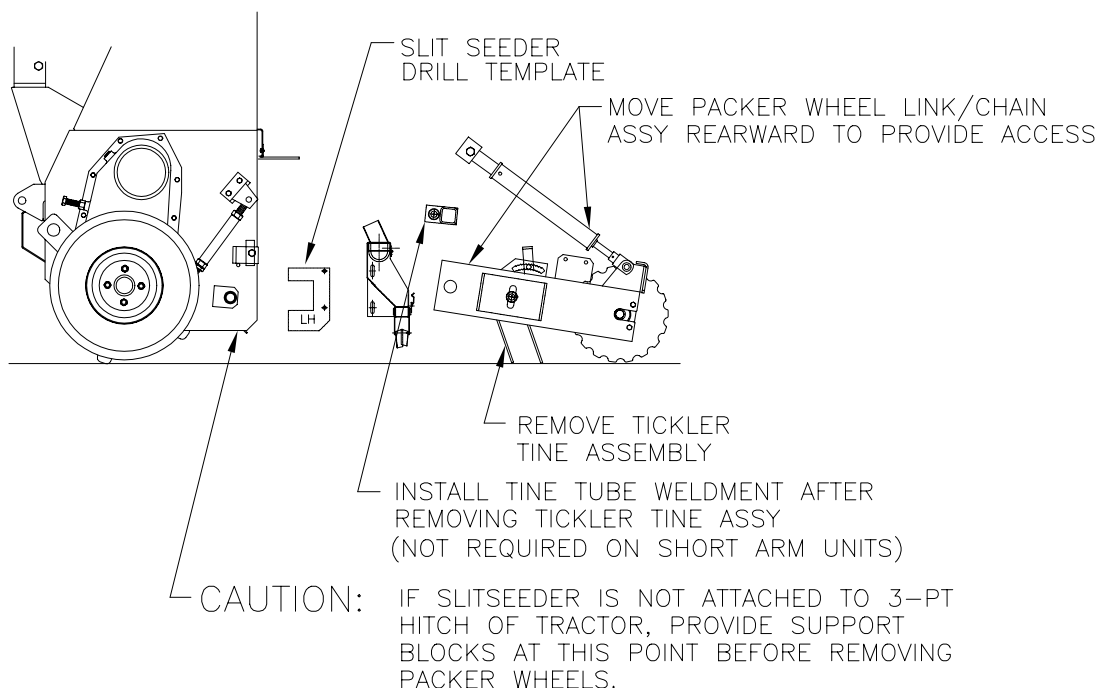


CAUTION

If the overseeder is not attached to a tractor, additional means of support will be required before proceeding. Ensure that the overseeder is adequately blocked and completely stable to prevent tipping over.

Refer to Figure 1:

Remove the Packer Wheel assembly by removing the 1" diameter clevis pins and the packer wheel chain with



Slit Seeder Mounting Holes & Disassembly
Figure 1

Assembly Instructions

pins and associated hardware. Carefully roll the packer wheel assembly back just far enough to provide access to the end panel.

NOTE: Later model overseeders will have predrilled mounting holes for the slit seeder.

Use the drill templates provided on pages 3 & 4 to locate and drill two 7/16" diameter mounting holes in each end panel of the overseeder. Locate the templates on the lower rear, outside surface of each end panel and transfer punch through the template where marked and drill.

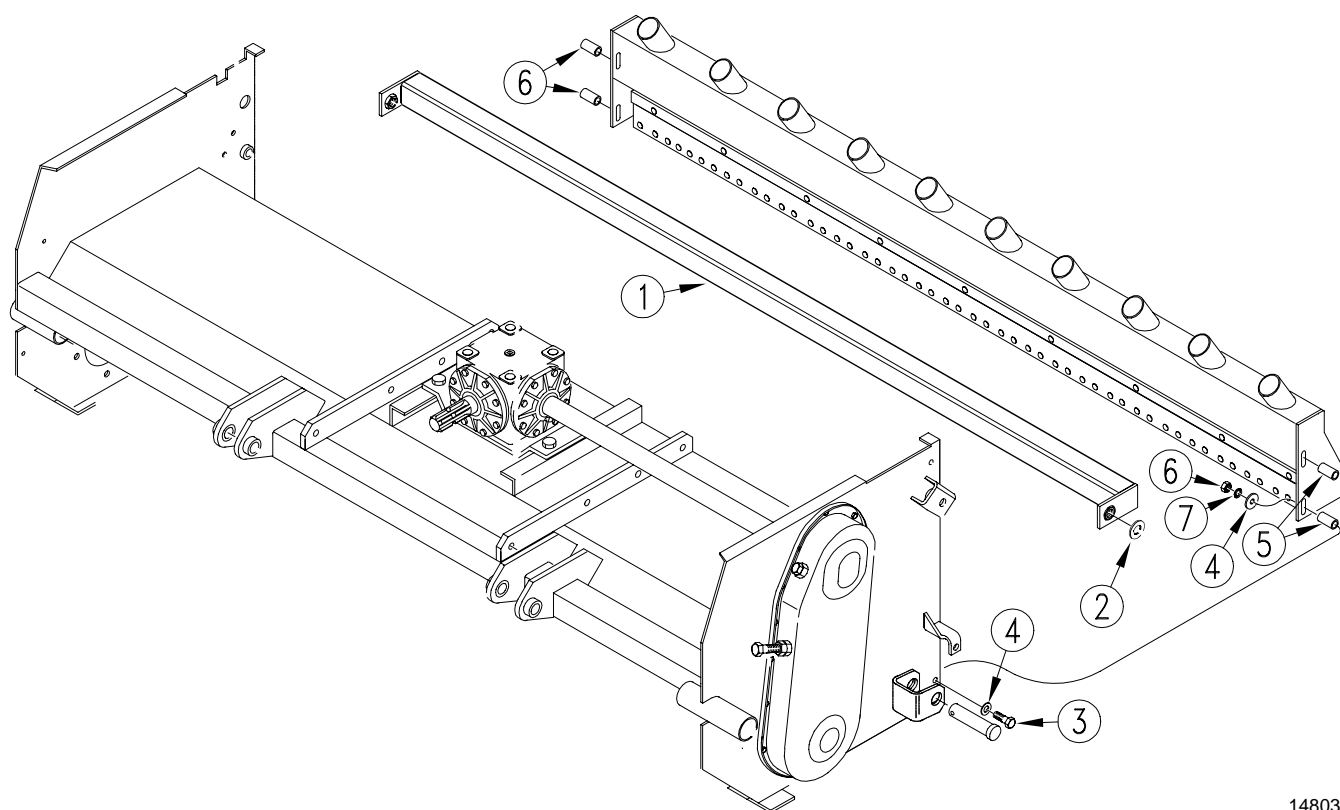
Refer to Figure 2:

If so equipped, the tine assembly must be removed prior to slit seeder installation. It cannot be used with the slit seeder operation. Install tine tube (#1) after removing tine assembly. Use existing fasteners. Flat washer (#2) may be required on some units.

Carefully position the slit seeder between the end panels. Use 3/8" x 2 1/2" long hex bolts (#3), 3/8" flat washers (#4) and spacers (#5 & #6) for mounting. The shorter spacers (#6) should be installed on the right hand side of the slit seeder. Install 3/8" flat washer (#4), 3/8" lock washer (#7) and 3/8" hex nut (#8) on the inside of the slit seeder by opening the access cover. Additional 3/8" flat washers are provided for shimming between the overseeder end panels if required. Adjust the slit seeder height to the mid range position of the slotted mounting holes.

Remove lower end of plastic seed tubes from overseeder and reinstall in respective slit seeder inlet channel tube.

Reinstall packer wheel assembly.

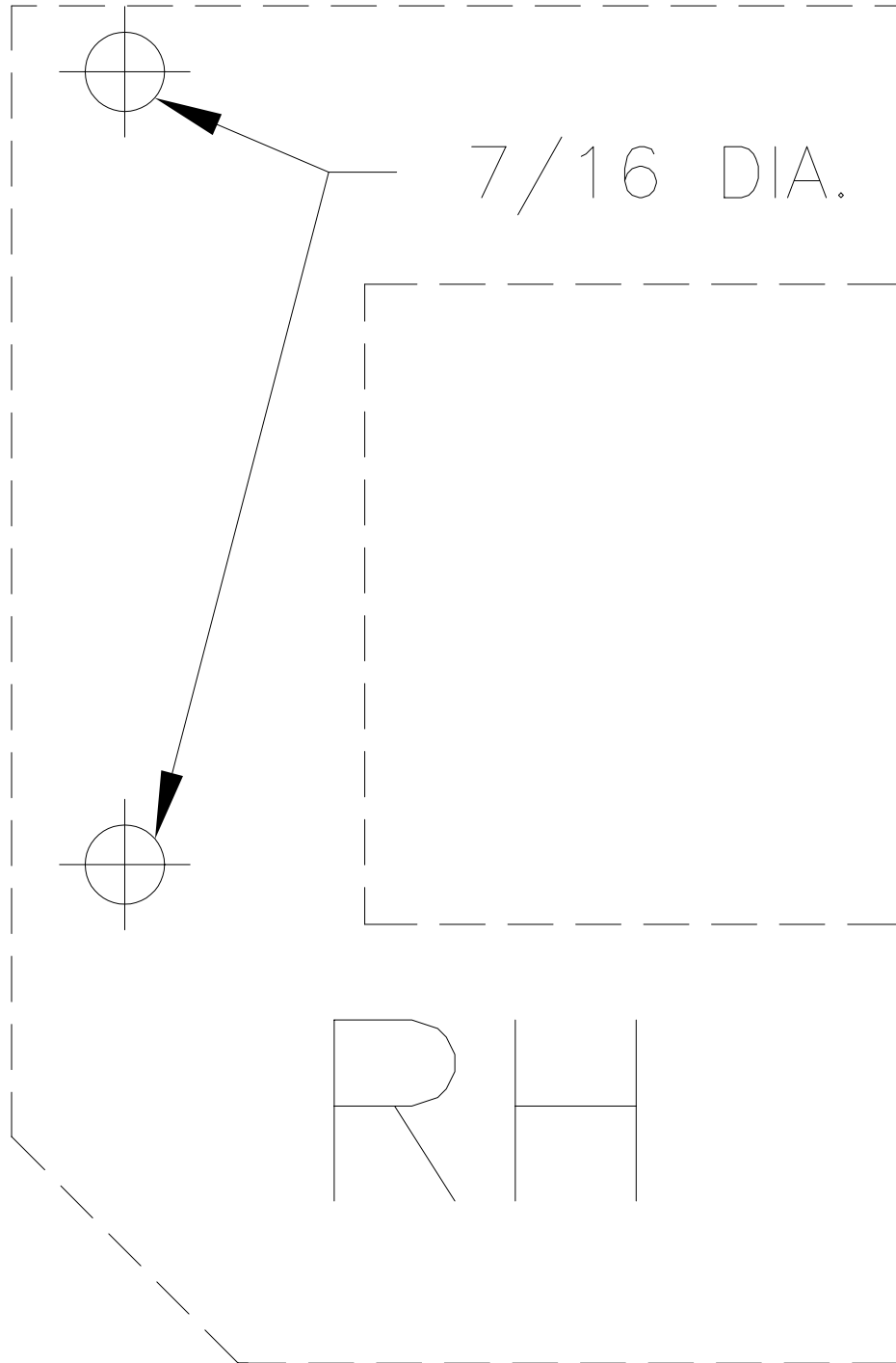


14803

Slit Seeder Assembly
Figure 2

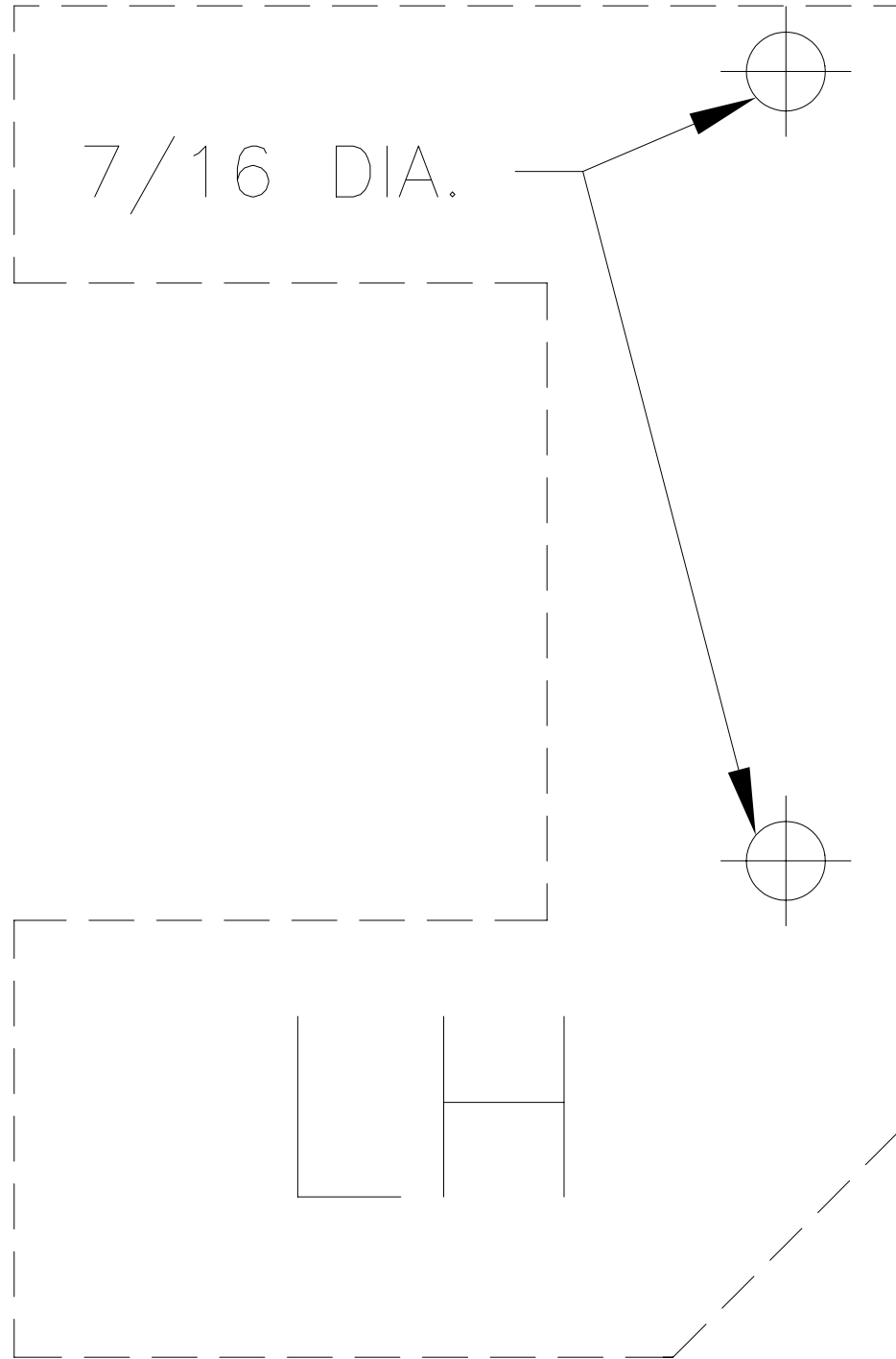
Assembly Instructions

Cut template along dashed lines. Position template on the outside surface of the respective end panel to locate and drill slit seeder mounting holes.



Assembly Instructions

Cut template along dashed lines. Position template on the outside surface of the respective end panel to locate and drill slit seeder mounting holes.



Listing of Parts

308-152A OS1572 Overseeder Slit Seeder w/2" Spacing*Your Kit Includes:*

Qty.	Part No.	Part Description
1	308-150K	72-2 SEED CHANNEL ASSEMBLY
1	308-151K	72-2 SLIT KIT BOX ASSEMBLY
1	308-215H	72 TINE TUBE WELDMENT
2	308-217D	SPACER TUBE LH
2	308-225D	SPACER TUBE RH
2	308-261D	STRIP - SLIT SEEDER 72/2
16	801-002C	SCREW HEX SLT10-16X3/8P.THD CT
4	802-114C	HHCS 3/8-16X2 1/2 GR5
2	802-184C	HHCS 3/4-10X1 1/2 GR5
4	803-014C	NUT HEX 3/8-16 PLT
12	804-011C	WASHER FLAT 3/8 USS PLT
4	804-012C	WASHER FLAT 3/8 SAE PLT
4	804-013C	WASHER LOCK SPRING 3/8 PLT
2	804-023C	WASHER LOCK SPRING 3/4 PLT
2	804-024C	WASHER FLAT 3/4 USS PLT
2	804-025C	WASHER FLAT 3/4 SAE PLT

308-155A OS1572 Overseeder Slit Seeder w/3" Spacing*Your Kit Includes:*

Qty.	Part No.	Part Description
1	308-153K	72-3 SEED CHANNEL ASSEMBLY
1	308-154K	72-3 SLIT KIT BOX ASSEMBLY
1	308-215H	72 TINE TUBE WELDMENT
2	308-217D	SPACER TUBE LH
2	308-225D	SPACER TUBE RH
2	308-260D	STRIP - SLIT SEEDER 72/3
16	801-002C	SCREW HEX SLT10-16X3/8P.THD CT
4	802-114C	HHCS 3/8-16X2 1/2 GR5
2	802-184C	HHCS 3/4-10X1 1/2 GR5
4	803-014C	NUT HEX 3/8-16 PLT
12	804-011C	WASHER FLAT 3/8 USS PLT
4	804-012C	WASHER FLAT 3/8 SAE PLT
4	804-013C	WASHER LOCK SPRING 3/8 PLT
2	804-023C	WASHER LOCK SPRING 3/4 PLT
2	804-024C	WASHER FLAT 3/4 USS PLT
2	804-025C	WASHER FLAT 3/4 SAE PLT

Listing of Parts

308-160A OS1548 Overseeder Slit Seeder w/2" Spacing

Your Kit Includes:

Qty.	Part No.	Part Description
1	308-158K	48-2 SEED CHANNEL ASSEMBLY
1	308-159K	48-2 SLIT KIT BOX ASSEMBLY
1	308-216H	48 TINE TUBE WELDMENT
2	308-217D	SPACER TUBE LH
2	308-225D	SPACER TUBE RH
2	308-263D	STRIP - SLIT SEEDER 48/2
16	801-002C	SCREW HEX SLT10-16X3/8P.THD CT
4	802-114C	HHCS 3/8-16X2 1/2 GR5
2	802-184C	HHCS 3/4-10X1 1/2 GR5
4	803-014C	NUT HEX 3/8-16 PLT
12	804-011C	WASHER FLAT 3/8 USS PLT
4	804-012C	WASHER FLAT 3/8 SAE PLT
4	804-013C	WASHER LOCK SPRING 3/8 PLT
2	804-023C	WASHER LOCK SPRING 3/4 PLT
2	804-024C	WASHER FLAT 3/4 USS PLT
2	804-025C	WASHER FLAT 3/4 SAE PLT

308-163A OS1548 Overseeder Slit Seeder w/3" Spacing

Your Kit Includes:

Qty.	Part No.	Part Description
1	308-161K	48-3 SEED CHANNEL ASSEMBLY
1	308-162K	48-3 SLIT KIT BOX ASSEMBLY
1	308-216H	48 TINE TUBE WELDMENT
2	308-217D	SPACER TUBE LH
2	308-225D	SPACER TUBE RH
2	308-262D	STRIP - SLIT SEEDER 48/3
12	801-002C	SCREW HEX SLT10-16X3/8P.THD CT
4	802-114C	HHCS 3/8-16X2 1/2 GR5
2	802-184C	HHCS 3/4-10X1 1/2 GR5
4	803-014C	NUT HEX 3/8-16 PLT
12	804-011C	WASHER FLAT 3/8 USS PLT
4	804-012C	WASHER FLAT 3/8 SAE PLT
4	804-013C	WASHER LOCK SPRING 3/8 PLT
2	804-023C	WASHER LOCK SPRING 3/4 PLT
2	804-024C	WASHER FLAT 3/4 USS PLT
2	804-025C	WASHER FLAT 3/4 SAE PLT



Corporate Office: P.O. Box 5060
Salina, Kansas 67402-5060 USA
www.landpride.com
