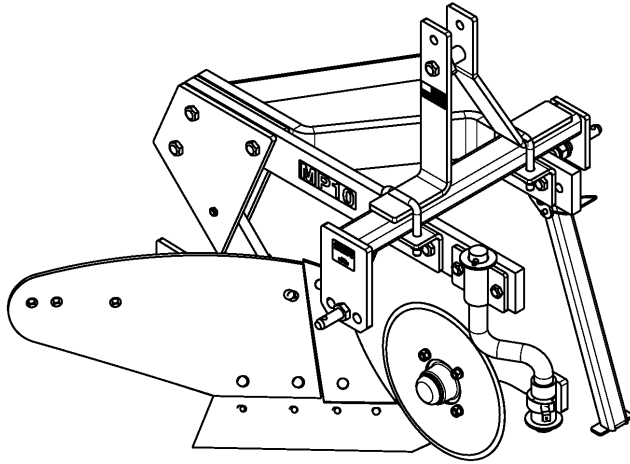
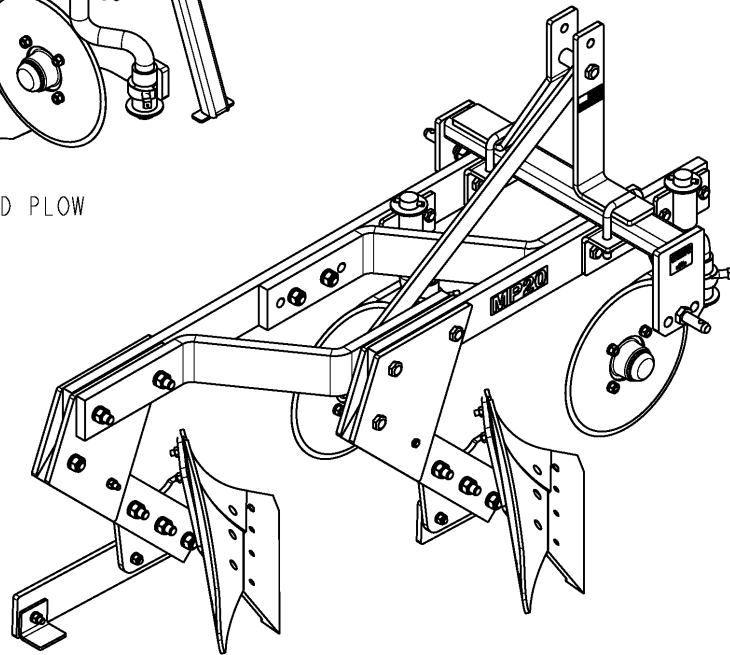


# Moldboard Plows

## MP10 & MP20



MP10 MOLDBOARD PLOW



MP20 MOLDBOARD PLOW

39522

### **307-244P** **Parts Manual**



Read the Operator's Manual entirely. When you see this symbol, the subsequent instructions and warnings are serious - follow without exception. Your life and the lives of others depend on it!

© Copyright 2018 Printed 07/10/18

Cover photo may show optional equipment not supplied with standard unit.





# Table of Contents

---

<b>Section 1: Introduction.....</b>	<b>4</b>
Using This Manual.....	4
Manual Replacement Information.....	4
Manual Revisions.....	4
Touch-up Paint.....	4
Hardware Legend.....	5
Replacement Hardware.....	5
Serial Numbers.....	5
Part Number Service Coding.....	5
<b>Section 1: Complete Assembly.....</b>	<b>6</b>
MP20 Frame.....	6
Plow Bottom.....	8
<b>Section 2: Complete Assembly.....</b>	<b>10</b>
MP10 Frame.....	10
Plow Bottom.....	12
<b>Section 3: Options &amp; Accessories.....</b>	<b>14</b>
Coulter.....	14
Coulter Hub 307-243S.....	16
<b>Section 4: Decals.....</b>	<b>18</b>
Decal Placement.....	18
Land Pride Touch-up Paints.....	20
<b>Part Number Index.....</b>	<b>22</b>

© Copyright 2018. All rights reserved.

Land Pride provides this publication “as is” without warranty of any kind, either expressed or implied. While every precaution has been taken in the preparation of this manual, Land Pride assumes no responsibility for errors or omissions. Neither is any liability assumed for damages resulting from the use of the information contained herein. Land Pride reserves the right to revise and improve its products as it sees fit. This publication describes the state of this product at the time of its publication, and may not reflect the product in the future. The illustrations in this manual are not intended for safe and proper assembly or disassembly of equipment. The illustrations are intended for ordering parts only.

Land Pride is registered trademark.

All other brands and product names are trademarks or registered trademarks of their respective holders.

*Printed in the United States of America.*



## Alphabetized Table of Contents

---

### C

Coulter.....	14
Coulter Hub 307-243S.....	16

### D

Decal Placement.....	18
----------------------	----

### L

Land Pride Touch-up Paints.....	20
---------------------------------	----

### M

MP10 Frame.....	10
MP20 Frame.....	6

### P

Plow Bottom.....	8
Plow Bottom.....	12

# General Information

## Using This Manual

This manual is divided into sections. The first section contains General Information. The remaining sections divide the machine into segments (i.e. Frames, Drives, Hydraulics, etc.) which illustrate and list all parts. A Parts Number Index is located at the back of the book.

The Land Pride parts in this manual are specially designed for this machine and should be replaced with Land Pride parts only.

The information in this manual is current at time of printing. Some parts may change to assure top performance.

Right-hand and left-hand as used in this manual are determined by facing the direction the machine will travel while in use.

Below is an example of two facing pages from a parts manual. Familiarize yourself with the type of information contained on these pages.

## Manual Replacement Information

Replacement manuals are available. Refer to our website at [www.landpride.com](http://www.landpride.com) or e-mail us at [lit@landpride.com](mailto:lit@landpride.com) for additional information. Our website continues to provide the most up-to-date manuals available.

## Touch-up Paint

Repaint parts where paint is worn or scratched to prevent rust. Aerosol cans and touch-up bottles with brush applicator are available through your local dealer. Also available are quart and gallon size paints. Add QT or GL to end of the Aerosol P/N.

Land Pride color descriptions and part numbers are listed on the "Land Pride Touch-up Paints" page in the "Decals" section of this book. Color options vary by product.



## General Information

### Hardware Legend

<b>AR</b>	As Required
<b>BLADE</b>	Blade Bolt
<b>C</b>	Cap Screw
<b>CP</b>	Cotter Pin
<b>CPHSSS</b>	Cup Point Hex Socket Set Screw
<b>CPSHSS</b>	Cup Point Square Head Set Screw
<b>CPSQHSS</b>	Cup Point Square Head Set Screw
<b>CRFCHMS3</b>	Cross Recess Flat Countersunk Head Machine Screw
<b>CRPHMS</b>	Cross Recess Pan Head Machine Screw
<b>CRPHTF</b>	Cross Recess Pan Head Thread Forming
<b>CRRHMS</b>	Cross Recess Round Head Machine Screw
<b>CRTHMS</b>	Cross Recess Truss Head Machine Screw
<b>CSNB</b>	Countersunk Square Neck Bolt
<b>FHMS</b>	Flat Head Machine Screw
<b>FTC</b>	Full Thread Cap Screw
<b>H</b>	Hex Nut
<b>HCLN</b>	Hex Center Lock Nut
<b>HFLCS</b>	Hex Flange Lock Cap Screw
<b>HFS</b>	Hex Flange Screw
<b>HFSLN</b>	Hex Flange Serrated Lock Nut
<b>HFSS</b>	Hex Flange Serrated Screw
<b>HHCS</b>	Hex Head Cap Screw or Metric Bolt
<b>HSBHCS</b>	Hex Socket Button Head Cap Screw
<b>HSFCHCS</b>	Hex Socket Flat Countersunk Head Cap Screw
<b>HSHCS</b>	Hex Socket Head Cap Screw
<b>HSSS</b>	Hex Socket Head Screw
<b>HTLN</b>	Hex Top Lock Nut
<b>HWHCS</b>	Hex Washer Head Cap Screw

<b>HWHMS</b>	Hex Washer Head Machine Screw
<b>HXBHCS</b>	Hex Socket Button Head Cap Screw
<b>J</b>	Hex Jam Nut
<b>JIC</b>	37 Degree Tapered Thread
<b>L</b>	Helical Spring Lock Washer
<b>LUG</b>	Lug Bolt
<b>NFC</b>	National Fine Cap Screw
<b>NPSM</b>	National Pipe Straight Mechanical
<b>NPTF</b>	National Pipe Taper Fuel
<b>P</b>	Wide Plain Washer
<b>PHMS</b>	Pan Head Machine Screw
<b>PLOW</b>	Plow Bolt
<b>RHMS</b>	Round Head Machine Screw
<b>RHSNB</b>	Round Head Square Neck Bolt
<b>SCREW LEVELING</b>	Leveling Screw
<b>SCREW THUMB</b>	Thumb Screw
<b>SCREW WELD</b>	Weld Screw
<b>SFCHMS</b>	Slotted Flat Countersunk Head Machine Screw
<b>SFHMS</b>	Slotted Fillister Head Machine Screw
<b>SP</b>	Special
<b>SP SCREW</b>	Special Screw
<b>SOHSS</b>	Square Head Set Screw
<b>SRHMS</b>	Slotted Round Head Machine Screw
<b>SSS</b>	Socket Set Screw
<b>STCS</b>	Self Tapping Cap Screw
<b>STHMS</b>	Slotted Truss Head Machine Screw
<b>WHEEL</b>	Wheel Studs and Hub Long Bolts
<b>WING</b>	Wing Bolt

### Replacement Hardware

The **Hardware Legend** above lists hardware abbreviations used in the parts list. All bolts and nuts are Grade 5 unless otherwise noted. The use of improper grades of hardware can result in personal injury, damage to equipment, or loss of property.

### Colored Replacement Parts

Land Pride offers replacement parts in factory standard colors and also on select models in Green, Orange, Red and Blue. Because of the variety of colors available, special attention must be given to the part number to prevent ordering the wrong replacement part.

A suffix number corresponding to one of the colors below must be added at the end of Land Pride's part number when ordering a replacement part with that color.

**81 . . . . . Green      83 . . . . . Red**  
**82 . . . . . Orange    84 . . . . . Blue**

For example, if you are ordering a replacement part with part number 555-555C and the part you need is red, then add the suffix 83 to the end of the number to make the part number read 555-555C83. Parts ordered without a suffix number will be supplied in factory standard colors.

### Black Replacement Parts

Some parts are factory standard black and some must be special ordered black. If your part is special ordered black, a second part number with the additional suffix number 85 on the end will be available. In this situation you must order that part with the suffix number for it to be black. Parts that are factory standard black will not have the suffix number.

### Part Number Service Coding

Within the parts list some part numbers are coded for revisions and interchangeability. See notations in revision column.

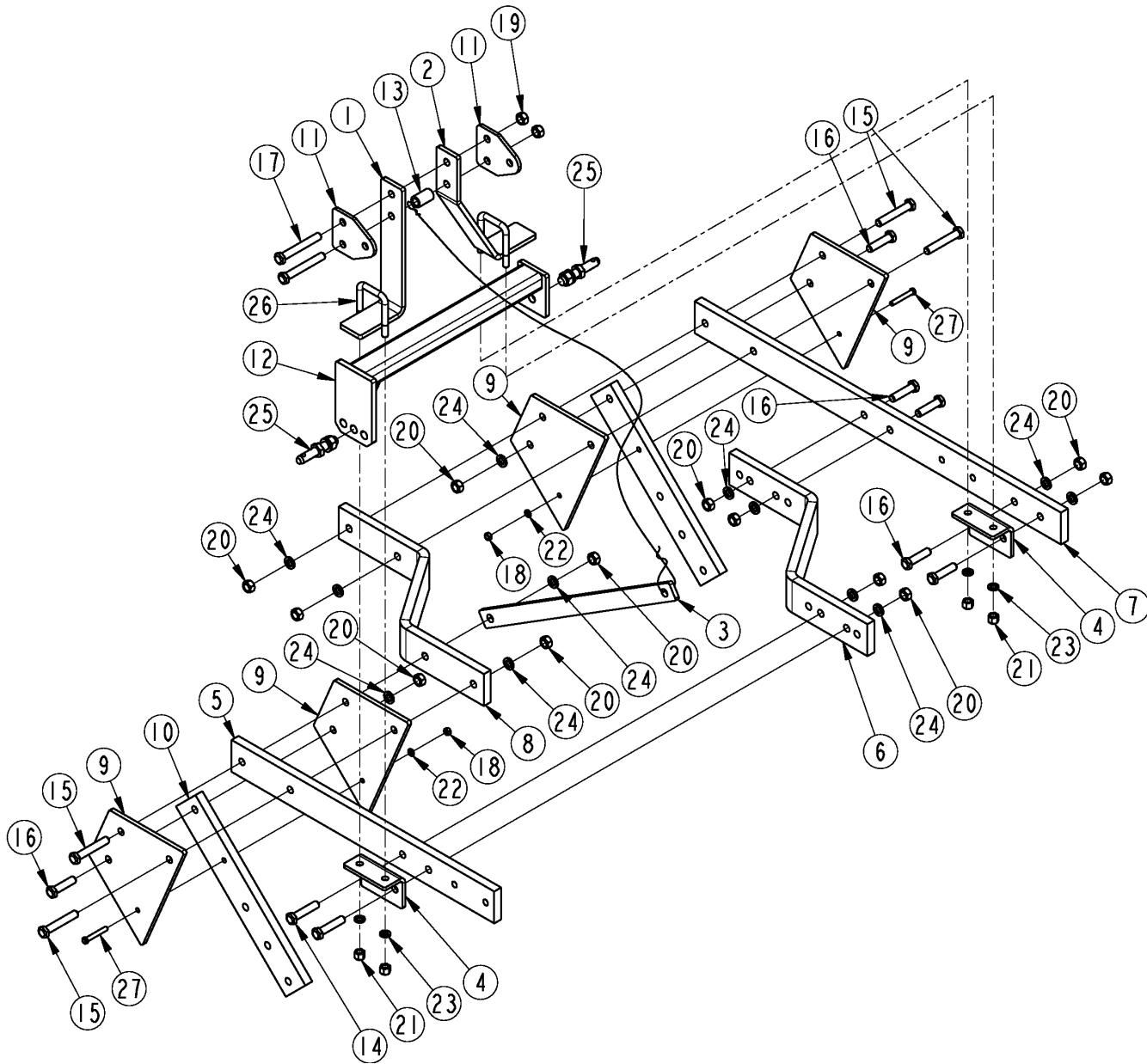
### Serial Numbers

Always use the serial and model number when ordering parts. Refer to the Operator's Manual for serial number plate location.

- (S/N 20001+)                      Includes serial numbers 20001 and above (to the latest number)
- (S/N 10001 to 20000)           Includes serial numbers between and including 10001 and 20000
- (S/N 10000-)                      Includes serial numbers 10000 and below (to the earliest number)

# MP20 Frame

Applies to MP20



39524

**MP20 Frame**

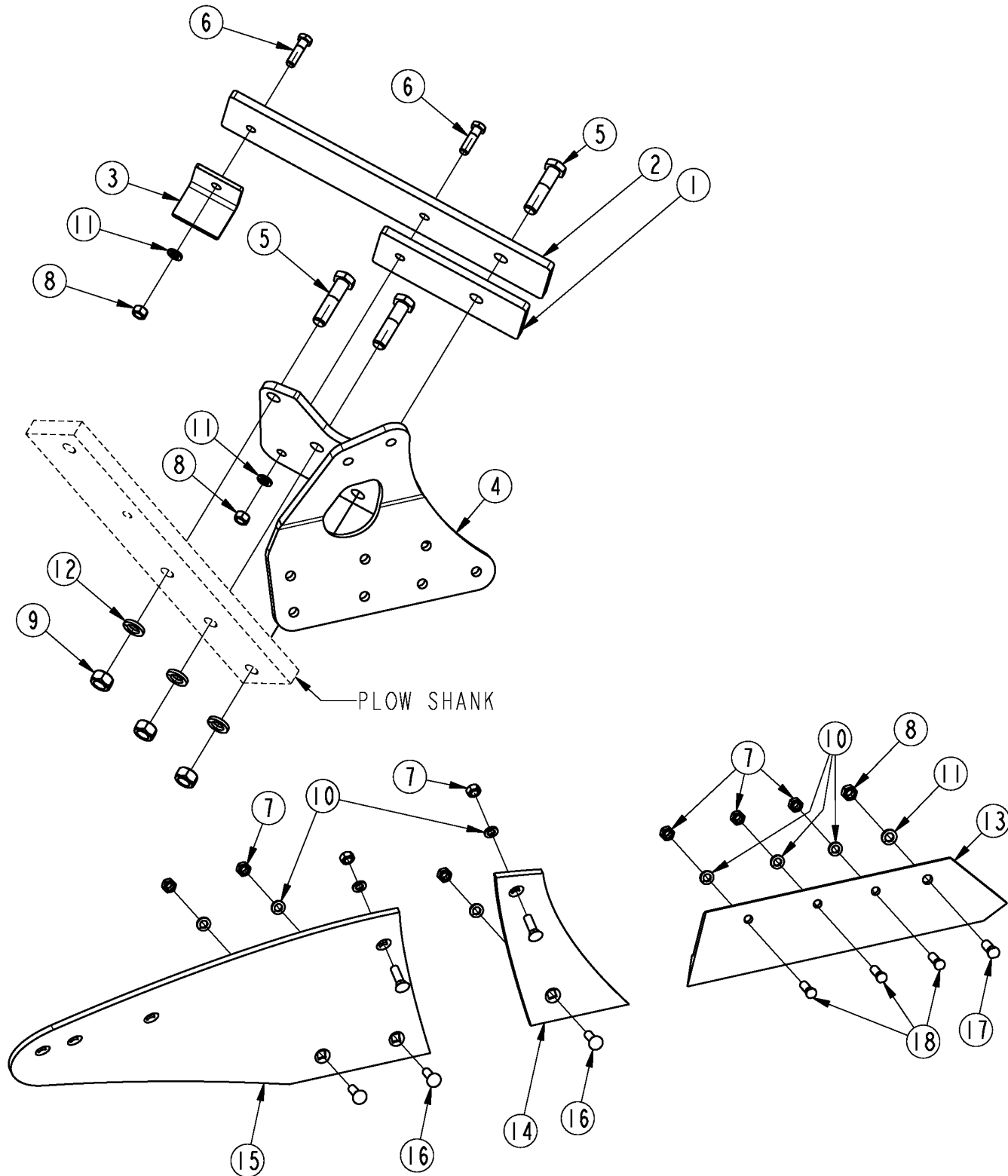
---

**Applies to MP20**

<b>Ref</b>	<b>Part No.</b>	<b>Part Description</b>	<b>Comments</b>	<b>Revision</b>
	Dwg 39524	Image No.		
1.	307-161D	ADJUSTABEL TOP LINK FRAME		
2.	307-162D	LH ADJ TOP LINK FRAME		
3.	307-163D	BACK STRAP		
4.	307-164D	PLOW TO HITCH MOUNT		
5.	307-165D	FRONT PLOW TRAILING ARM		
6.	307-166D	FRONT CROSS MEMBER		
7.	307-167D	REAR PLOW TRAILING ARM		
8.	307-168D	REAR CROSS MEMBER		
9.	307-169D	PLOW SHANK MOUNT		
10.	307-170D	PLOW SHANK		
11.	307-183D	TOP LINK EXTENSION PLATE		
12.	307-237H	PLOW LOWER HITCH		
13.	308-400D	SPACER 1 1/4OD X 13/16ID X 2LG		
14.	802-066C	HHCS 3/4-10X3 1/2 GR5		
15.	802-192C	HHCS 3/4-10X4 1/2 GR5		
16.	802-383C	HHCS 3/4-10X3 GR5		
17.	802-594C	HHCS 3/4-10X5 1/2 GR5		
18.	803-015C	NUT HEX 7/16-14 PLT		
19.	803-026C	NUT LOCK 3/4-10 PLT		
20.	803-027C	NUT HEX 3/4-10 PLT		
21.	803-148C	NUT HEX NYLOCK 5/8-11 PLT		
22.	804-014C	WASHER LOCK 7/16 PLT		
23.	804-022C	WASHER LOCK SPRING 5/8 PLT		
24.	804-023C	WASHER LOCK SPRING 3/4 PLT		
25.	805-111C	PIN HTCH C1 7/8-14 THD W/N		
26.	806-183C	U-BOLT 5/8-11X3 1/32X4 1/2 SPT		
27.	842-167C	HHCS 7/16-14X3 GR8		

# Plow Bottom

Applies to MP20



39525



**Plow Bottom**

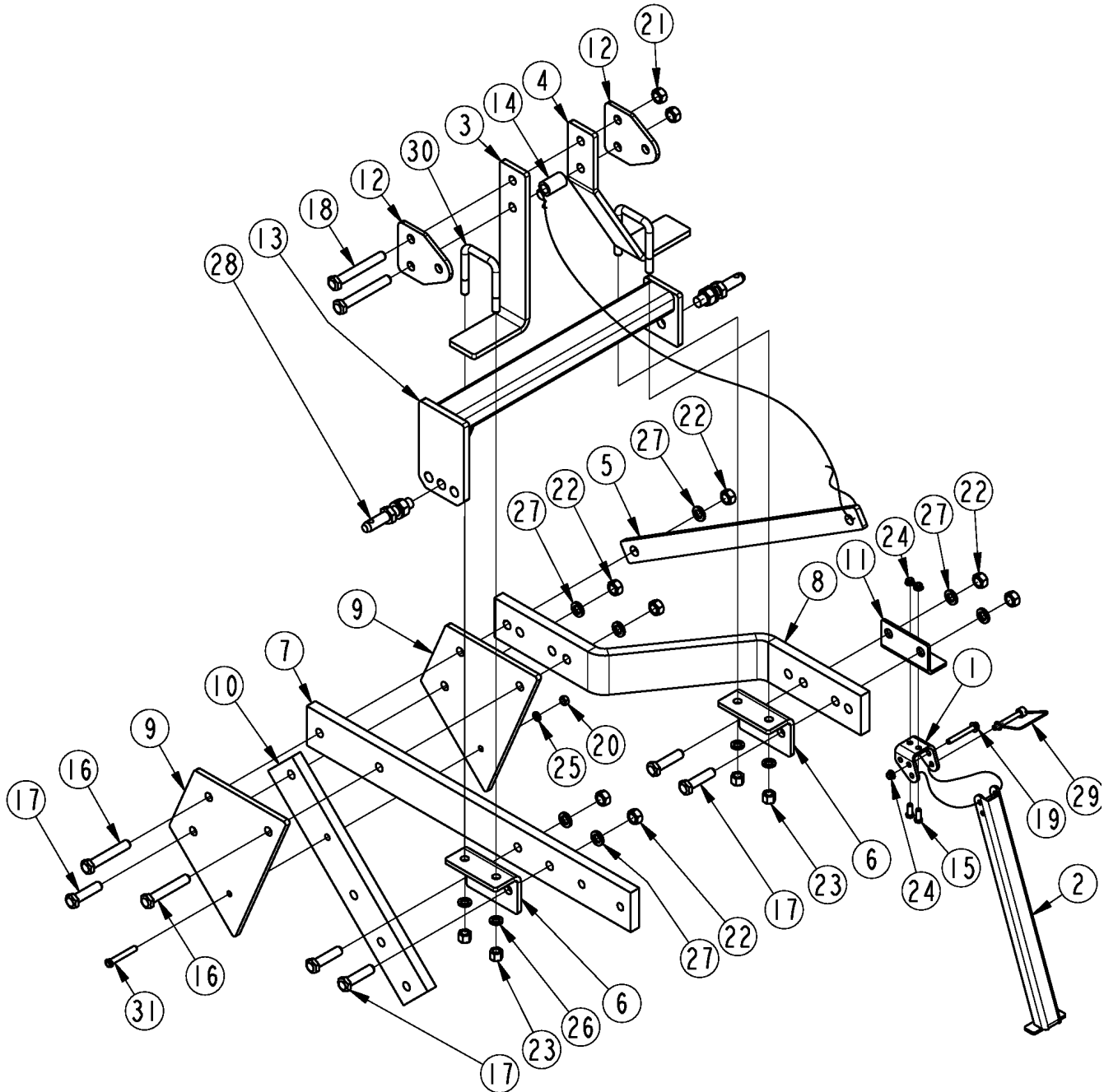
---

**Applies to MP20**

<b>Ref</b>	<b>Part No.</b>	<b>Part Description</b>	<b>Comments</b>	<b>Revision</b>
	dwg	Image No. 39525		
1.	307-175D	LAND SLIDE - SHORT		
2.	307-173D	LAND SLIDE		
3.	307-174D	LAND SLIDE ANGLE BRACE		
4.	307-239H	PLOW FROG		
5.	802-383C	HHCS 3/4-10X3 GR5		
6.	802-749C	HHCS 1/2-13X1 3/4 GR2 PLT		
7.	803-015C	NUT HEX 7/16-14 PLT		
8.	803-020C	NUT HEX 1/2-13 PLT		
9.	803-027C	NUT HEX 3/4-10 PLT		
10.	804-014C	WASHER LOCK 7/16 PLT		
11.	804-015C	WASHER LOCK SPRING 1/2 PLT		
12.	804-023C	WASHER LOCK SPRING 3/4 PLT		
13.	820-619C	FORGED ROCK SHARE		
14.	820-620C	PLOW SHIN		
15.	820-621C	14" MOLDBOARD		
16.	842-349C	PLOW 7/16-14X1 1/2 GR5		
17.	842-357C	CLP PLOW 1/2-13X1 1/2 GR5		
18.	842-358C	CLP PLOW 7/16-14X1 1/2 GR5		

# MP10 Frame

Applies to MP10



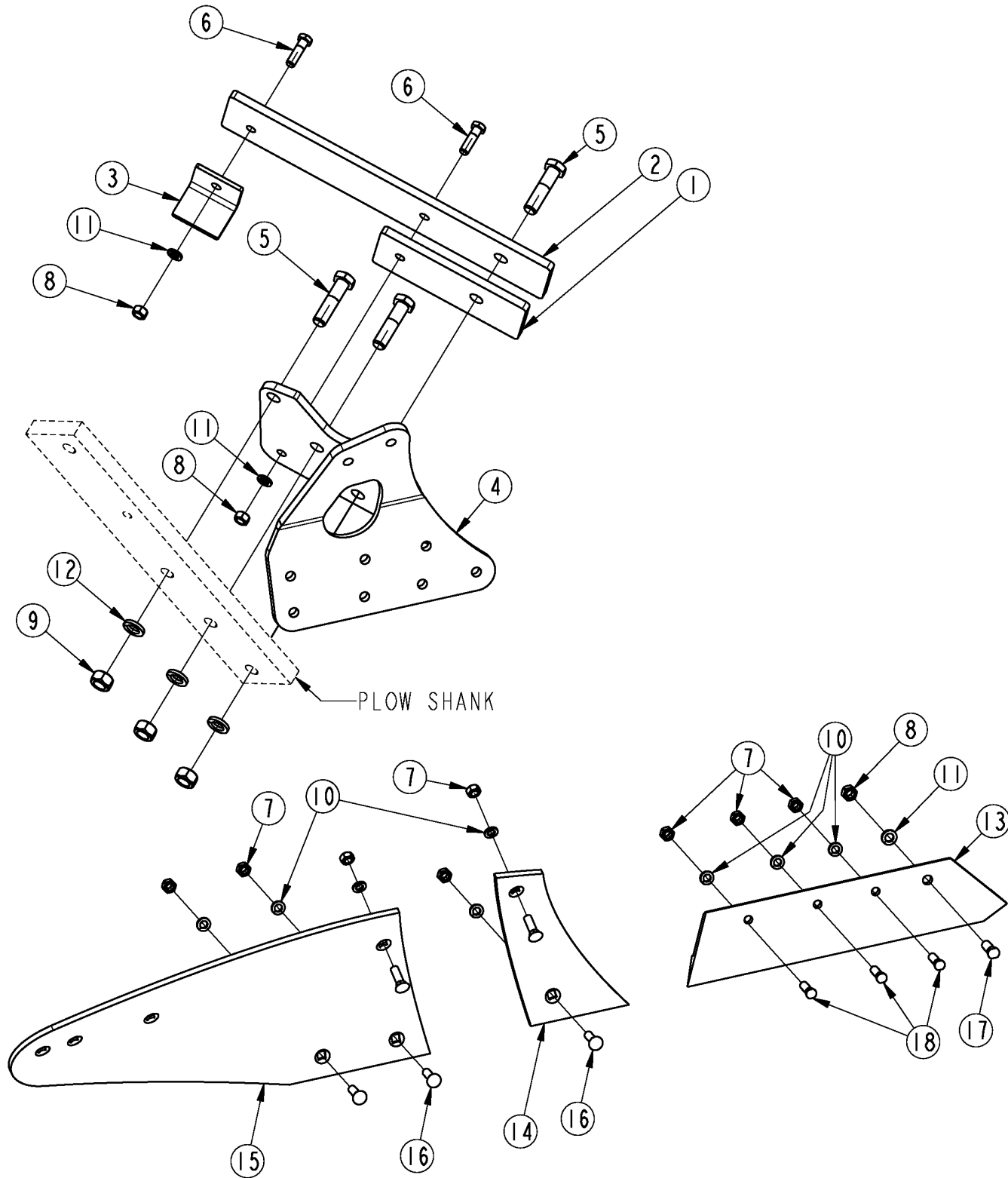
39523

**MP10 Frame****Applies to MP10**

<b>Ref</b>	<b>Part No.</b>	<b>Part Description</b>	<b>Comments</b>	<b>Revision</b>
	Dwg 39523	Image No.		
1.	300-487D	MOUNT, RB16/26/36 SUPPORT STND		
2.	300-504D	STAND, RB26/36 SUPPORT		
3.	307-161D	ADJUSTABEL TOP LINK FRAME		
4.	307-162D	LH ADJ TOP LINK FRAME		
5.	307-163D	BACK STRAP		
6.	307-164D	PLOW TO HITCH MOUNT		
7.	307-165D	FRONT PLOW TRAILING ARM		
8.	307-166D	FRONT CROSS MEMBER		
9.	307-169D	PLOW SHANK MOUNT		
10.	307-170D	PLOW SHANK		
11.	307-179D	PARKING STAND BRACKET		
12.	307-183D	TOP LINK EXTENSION PLATE		
13.	307-237H	PLOW LOWER HITCH		
14.	308-400D	SPACER 1 1/4OD X 13/16ID X 2LG		
15.	802-017C	HHCS 3/8-16X1 GR5		
16.	802-192C	HHCS 3/4-10X4 1/2 GR5		
17.	802-383C	HHCS 3/4-10X3 GR5		
18.	802-594C	HHCS 3/4-10X5 1/2 GR5		
19.	802-934C	HFS 3/8-16X3 GR5 ZNYCR		
20.	803-015C	NUT HEX 7/16-14 PLT		
21.	803-026C	NUT LOCK 3/4-10 PLT		
22.	803-027C	NUT HEX 3/4-10 PLT		
23.	803-148C	NUT HEX NYLOCK 5/8-11 PLT		
24.	803-209C	NUT FLANGE LOCK 3/8-16 PLT		
25.	804-014C	WASHER LOCK 7/16 PLT		
26.	804-022C	WASHER LOCK SPRING 5/8 PLT		
27.	804-023C	WASHER LOCK SPRING 3/4 PLT		
28.	805-111C	PIN HTCH C1 7/8-14 THD W/N		
29.	805-212C	PIN WIRE SNAP LOCK 3/8 X 2 1/2		
30.	806-183C	U-BOLT 5/8-11X3 1/32X4 1/2 SPT		
31.	842-167C	HHCS 7/16-14X3 GR8		

# Plow Bottom

Applies to MP10



39525

**Plow Bottom**

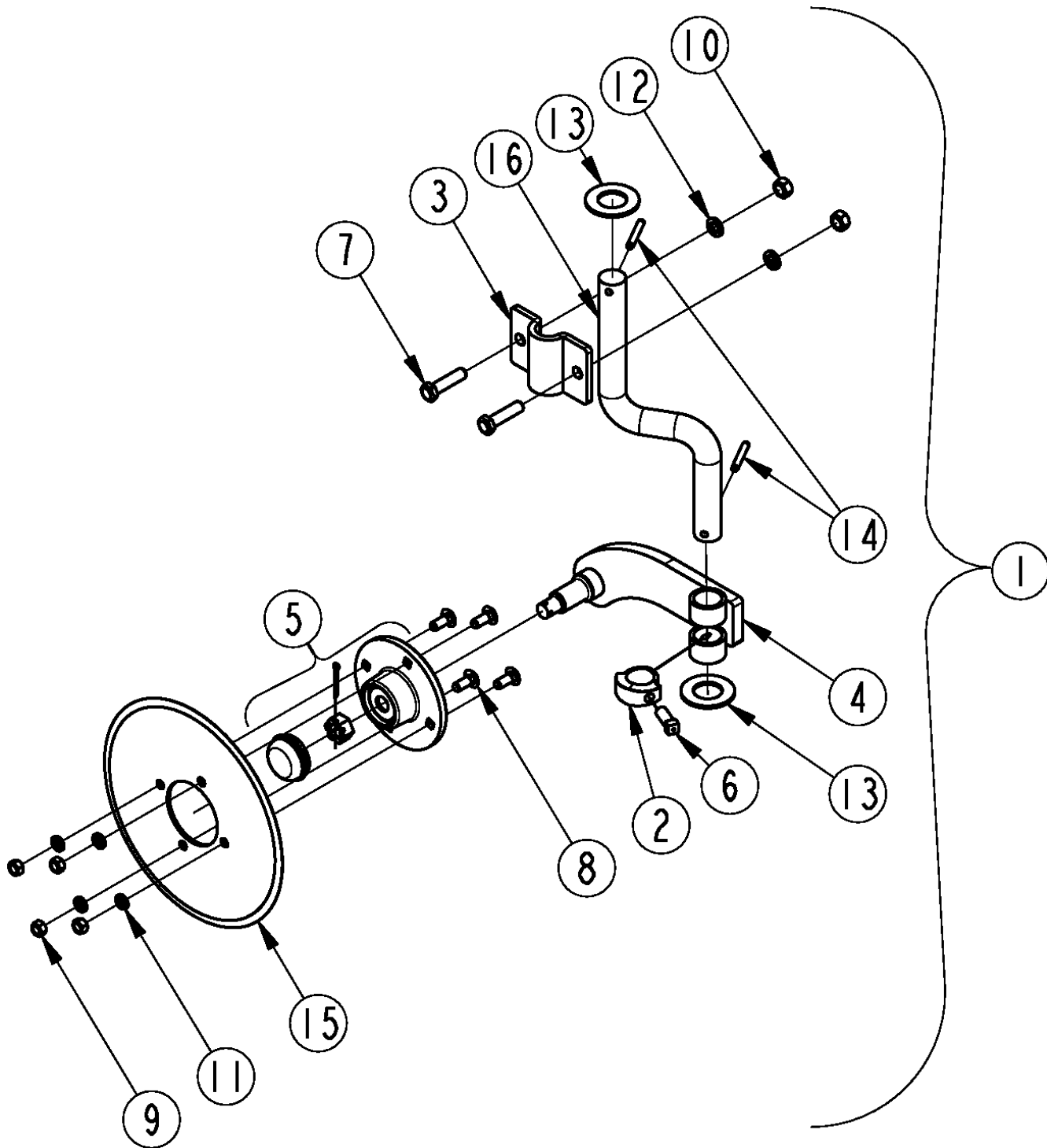
---

**Applies to MP10**

<b>Ref</b>	<b>Part No.</b>	<b>Part Description</b>	<b>Comments</b>	<b>Revision</b>
	dwg	Image No. 39525		
1.	307-175D	LAND SLIDE - SHORT		
2.	307-173D	LAND SLIDE		
3.	307-174D	LAND SLIDE ANGLE BRACE		
4.	307-239H	PLOW FROG		
5.	802-383C	HHCS 3/4-10X3 GR5		
6.	802-749C	HHCS 1/2-13X1 3/4 GR2 PLT		
7.	803-015C	NUT HEX 7/16-14 PLT		
8.	803-020C	NUT HEX 1/2-13 PLT		
9.	803-027C	NUT HEX 3/4-10 PLT		
10.	804-014C	WASHER LOCK 7/16 PLT		
11.	804-015C	WASHER LOCK SPRING 1/2 PLT		
12.	804-023C	WASHER LOCK SPRING 3/4 PLT		
13.	820-619C	FORGED ROCK SHARE		
14.	820-620C	PLOW SHIN		
15.	820-621C	14" MOLDBOARD		
16.	842-349C	PLOW 7/16-14X1 1/2 GR5		
17.	842-357C	CLP PLOW 1/2-13X1 1/2 GR5		
18.	842-358C	CLP PLOW 7/16-14X1 1/2 GR5		

# Coulter

Applies to MP10, MP20



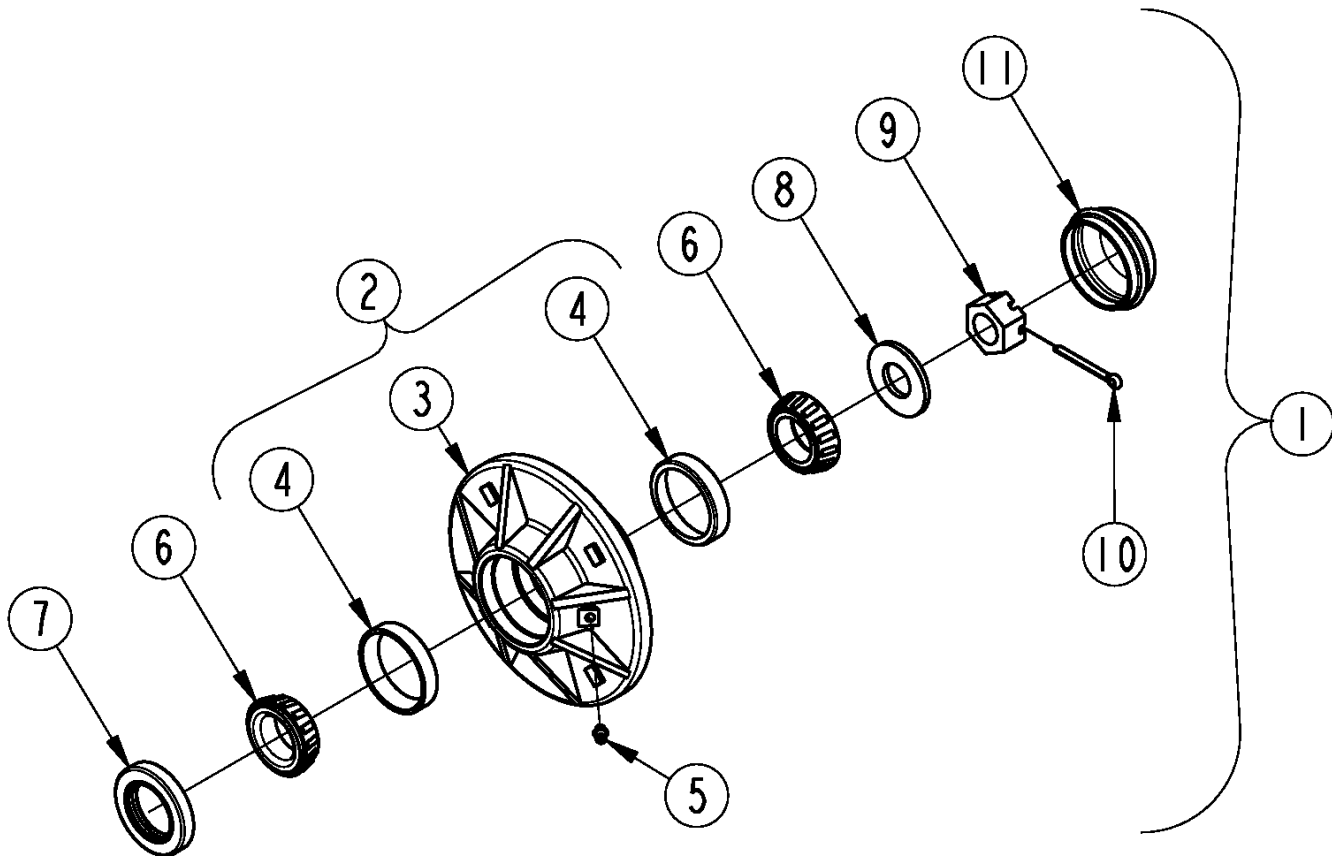
39526

**Coulter****Applies to MP10, MP20**

<b>Ref</b>	<b>Part No.</b>	<b>Part Description</b>	<b>Comments</b>	<b>Revision</b>
	dwg	Image No. 39526		
1.	307-241A	COULTER ASY		
2.	149-032D	LOW PRO COULTER STOP 5 DEGREE		
3.	307-177D	COULTER CLAMP		
4.	307-242H	COULTER SWING ARM		
5.	307-243S	COULTER HUB ASY		
6.	801-083C	SCREW SET 5/8-11X1 1/2 GR8 CUP		
7.	802-058C	HHCS 5/8-11X2 1/2 GR5		
8.	802-214C	RHSNB 1/2-13X1 1/4 GR5		
9.	803-020C	NUT HEX 1/2-13 PLT		
10.	803-021C	NUT HEX 5/8-11 PLT		
11.	804-015C	WASHER LOCK SPRING 1/2 PLT		
12.	804-022C	WASHER LOCK SPRING 5/8 PLT		
13.	804-071C	WASHER FLAT 1 1/2 SAE PLT		
14.	805-043C	PIN SPIROL 3/8X2 1/2 PLAIN		
15.	820-259C	COULTER BLADE-14 DIA STRAIGHT		
16.	820-630C	1 1/2 X 16 1/2 OFFSET SHANK		

# Coulter Hub 307-243S

Applies to MP10, MP20



39529



**Coulter Hub 307-243S**

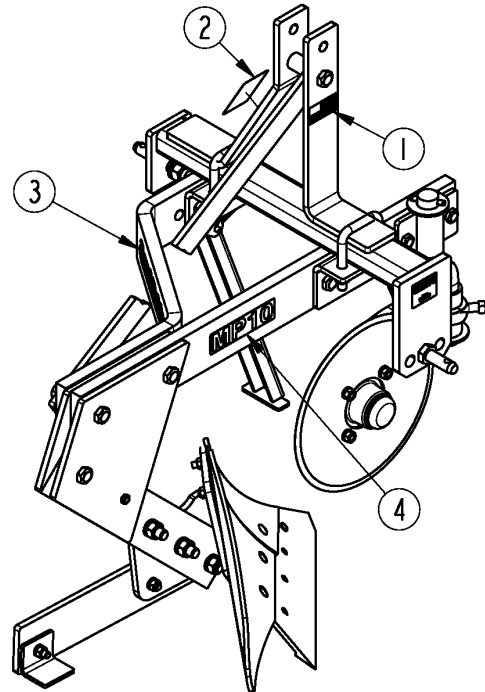
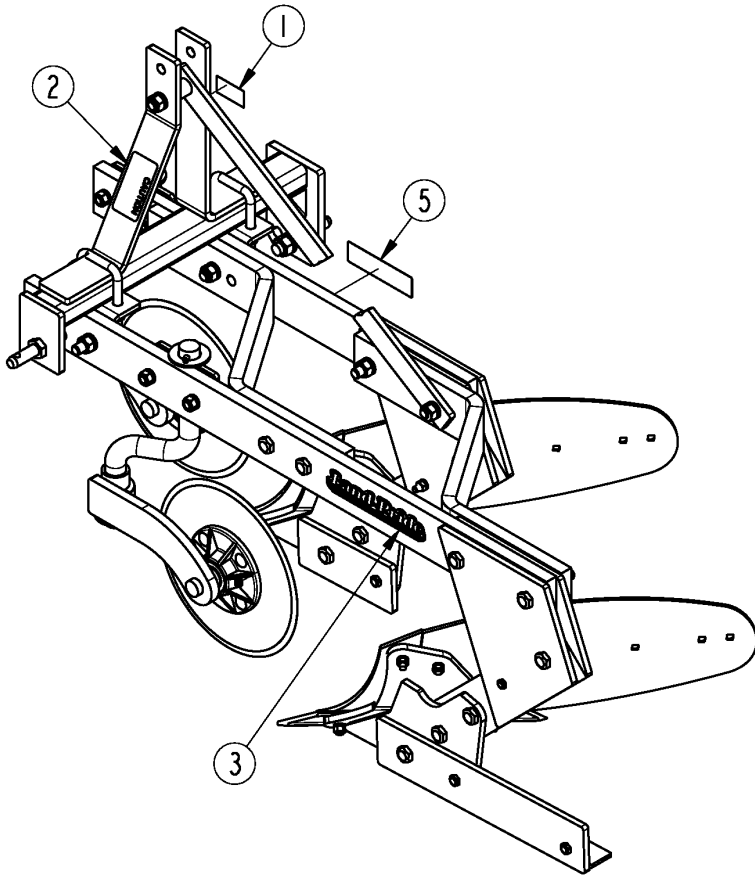
---

**Applies to MP10, MP20**

<b>Ref</b>	<b>Part No.</b>	<b>Part Description</b>	<b>Comments</b>	<b>Revision</b>
	dwg	Image No. 39529		
1.	307-243S	COULTER HUB ASY		
2.	200-039V	COULTER HUB & CUP ASSY		
3.	200-002D	RPBY 200-039V		
4.	822-020C	BRG CUP LM-67010		
5.	800-001C	GREASE ZERK STRAIGHT 1/4-28		
6.	822-021C	BRG CONE 1.25ID LM-67048		
7.	816-009C	OIL SEAL DOUBLE LIP		
8.	804-055C	WASHER SPINDLE - 7/8		
9.	803-029C	NUT HEX SLOTTED 7/8-14 PLT		
10.	805-017C	PIN COTTER 3/16 X 1 3/4 PLT		
11.	200-001D	HUB GREASE CAP		

# Decal Placement

Applies to MP10, MP20



39528

## ***Decal Placement***

---

### **Applies to MP10, MP20**

<b>Ref</b>	<b>Part No.</b>	<b>Part Description</b>	<b>Comments</b>	<b>Revision</b>
	dwg	Image No. 39528		
1.	818-190C	DECAL FLAG		
2.	818-719C	DECAL CAUTION GENERAL INSTR		
3.	848-159C	DECAL LANDPRIDE 10" BROWN/GOLD		
4.	858-569C	DECAL MP10		
5.	858-570C	DECAL MP20		

## ***Land Pride Touch-up Paints***

---

Applies to MP10, MP20

**No diagram associated with this Parts List**

**Land Pride Touch-up Paints****Applies to MP10, MP20**

<b>Ref</b>	<b>Part No.</b>	<b>Part Description</b>	<b>Comments</b>	<b>Revision</b>
1.	821-011C	LP BEIGE SPRAY CAN	Spray can	
1.	821-070C	GLOSS BLACK SPRAY CAN	Spray can	
1.	821-054C	MED. RED SPRAY TRCK/CTR	Spray can	
1.	821-058C	GREEN SPRAY CUTTERS	Spray can	
1.	821-066C	ORANGE SPRAY CAN	Spray can	
1.	821-067C	BLUE SPRAY CAN	Spray can	
1.	821-080C	PAINT ALUMINUM/ZINC SPRAY CAN	Spray can	
2.	821-011CTU	LP BEIGE TOUCH-UP 5OZ	Touch-up bottle with brush	
2.	821-070CTU	GLOSS BLACK TOUCH-UP 5OZ	Touch-up bottle with brush	
2.	821-054CTU	MED RED TOUCH-UP 5OZ	Touch-up bottle with brush	
2.	821-058CTU	GREEN TOUCH-UP 5OZ	Touch-up bottle with brush	
2.	821-066CTU	ORANGE TOUCH-UP 5OZ	Touch-up bottle with brush	
2.	821-067CTU	BLUE TOUCH-UP 5OZ	Touch-up bottle with brush	
2.	821-080CTU	PAINT ALUMINUM/ZINC TOUCH UP	Touch-up bottle with brush	
3.	821-011CQT	LP BEIGE QUART	Quart can	
3.	821-070CQT	GLOSS BLACK QUART	Quart can	
3.	821-054CQT	MED RED QUART	Quart can	
3.	821-058CQT	GREEN QUART	Quart can	
3.	821-066CQT	ORANGE QUART	Quart can	
3.	821-067CQT	BLUE QUART	Quart can	
3.	821-080CQT	PAINT ALUMINUM/ZINC QUART	Quart can	
4.	821-011CGL	LP BEIGE GALLON	Gallon can	
4.	821-070CGL	GLOSS BLACK GALLON	Gallon can	
4.	821-054CGL	MED RED GALLON	Gallon can	
4.	821-058CGL	GREEN GALLON	Gallon can	
4.	821-066CGL	ORANGE GALLON	Gallon can	
4.	821-067CGL	BLUE GALLON	Gallon can	
4.	821-080CGL	PAINT ALUMINUM/ZINC GALLON	Gallon can	



# Part Number Index

The Part Number Index is a numeric index of all part numbers included in this manual. The index shows what page(s) the part is used on.

<b>Part Number</b>	<b>Page</b>	<b>Part Number</b>	<b>Page</b>
149-032D	15	821-054C	21
200-001D	17	821-054CGL	21
200-002D	17	821-054CQT	21
200-039V	17	821-054CTU	21
300-487D	11	821-058C	21
300-504D	11	821-058CGL	21
307-161D	7, 11	821-058CQT	21
307-162D	7, 11	821-058CTU	21
307-163D	7, 11	821-066C	21
307-164D	7, 11	821-066CGL	21
307-165D	7, 11	821-066CQT	21
307-166D	7, 11	821-066CTU	21
307-167D	7	821-067C	21
307-168D	7	821-067CGL	21
307-169D	7, 11	821-067CQT	21
307-170D	7, 11	821-067CTU	21
307-173D	9, 13	821-070C	21
307-174D	9, 13	821-070CGL	21
307-175D	9, 13	821-070CQT	21
307-177D	15	821-070CTU	21
307-179D	11	821-080C	21
307-183D	7, 11	821-080CGL	21
307-237H	7, 11	821-080CQT	21
307-239H	9, 13	821-080CTU	21
307-241A	15	822-020C	17
307-242H	15	822-021C	17
307-243S	15, 17	842-167C	7, 11
308-400D	7, 11	842-349C	9, 13
800-001C	17	842-357C	9, 13
801-083C	15	842-358C	9, 13
802-017C	11	848-159C	19
802-058C	15	858-569C	19
802-066C	7	858-570C	19
802-192C	7, 11	dwg	9, 13, 15, 17, 19
802-214C	15	Dwg 39523	11
802-383C	7, 9, 11, 13	Dwg 39524	7
802-594C	7, 11		
802-749C	9, 13		
802-934C	11		
803-015C	7, 9, 11, 13		
803-020C	9, 13, 15		
803-021C	15		
803-026C	7, 11		
803-027C	7, 9, 11, 13		
803-029C	17		
803-148C	7, 11		
803-209C	11		
804-014C	7, 9, 11, 13		
804-015C	9, 13, 15		
804-022C	7, 11, 15		
804-023C	7, 9, 11, 13		
804-055C	17		
804-071C	15		
805-017C	17		
805-043C	15		
805-111C	7, 11		
805-212C	11		
806-183C	7, 11		
816-009C	17		
818-190C	19		
818-719C	19		
820-259C	15		
820-619C	9, 13		
820-620C	9, 13		
820-621C	9, 13		
820-630C	15		
821-011C	21		
821-011CGL	21		
821-011CQT	21		
821-011CTU	21		

***This Page Intentionally Left Blank***



Great Plains Manufacturing, Inc.

Corporate Office: P.O. Box 5060  
Salina, Kansas 67402-5060 USA

[www.landpride.com](http://www.landpride.com)

---