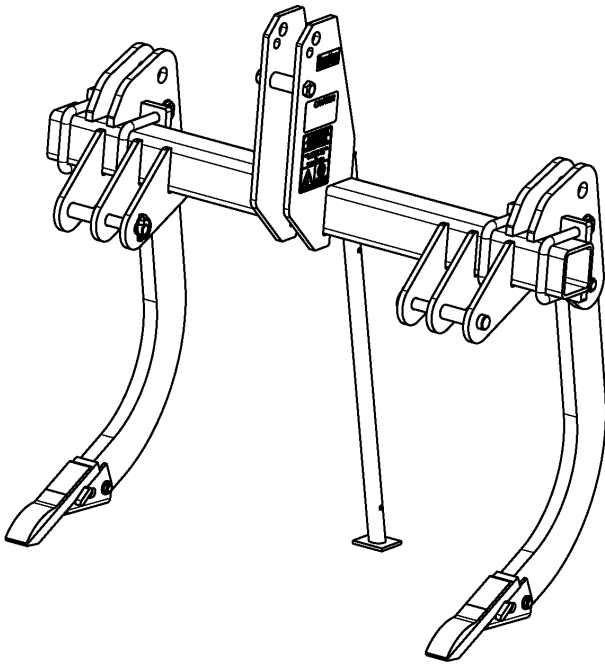
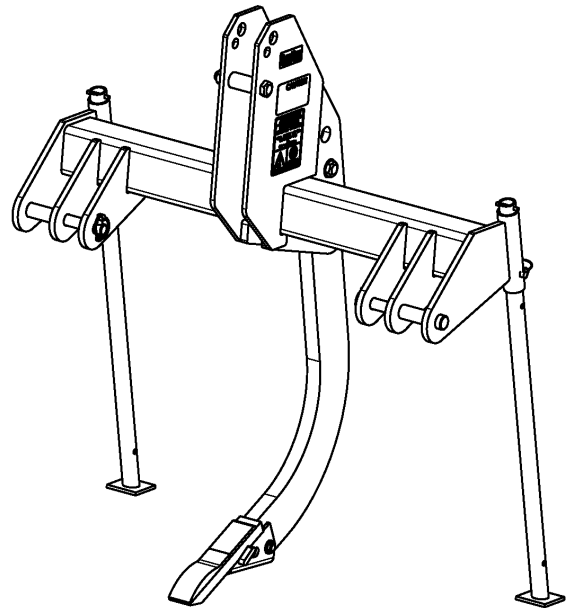


Ripper Shanks

RS15 & RS20



RS20 SERIES



RS15 SERIES

39356

307-232P **Parts Manual**



Read the Operator's Manual entirely. When you see this symbol, the subsequent instructions and warnings are serious - follow without exception. Your life and the lives of others depend on it!

© Copyright 2018 Printed 07/10/18

Cover photo may show optional equipment not supplied with standard unit.





Table of Contents

Section 1: Introduction.....	4
Using This Manual.....	4
Manual Replacement Information.....	4
Manual Revisions.....	4
Touch-up Paint.....	4
Hardware Legend.....	5
Replacement Hardware.....	5
Serial Numbers.....	5
Part Number Service Coding.....	5
Section 2: Assembly.....	6
RS15 Assembly.....	6
RS20 Frame & Stand.....	8
RS20 Shank Assembly.....	10
Section 3: Decals.....	12
Land Pride Touch-up Paints.....	12
RS15 Decals.....	14
RS20 Decals.....	16
Part Number Index.....	18

© Copyright 2018. All rights reserved.

Land Pride provides this publication “as is” without warranty of any kind, either expressed or implied. While every precaution has been taken in the preparation of this manual, Land Pride assumes no responsibility for errors or omissions. Neither is any liability assumed for damages resulting from the use of the information contained herein. Land Pride reserves the right to revise and improve its products as it sees fit. This publication describes the state of this product at the time of its publication, and may not reflect the product in the future. The illustrations in this manual are not intended for safe and proper assembly or disassembly of equipment. The illustrations are intended for ordering parts only.

Land Pride is registered trademark.

All other brands and product names are trademarks or registered trademarks of their respective holders.

Printed in the United States of America.



Alphabetized Table of Contents

L

Land Pride Touch-up Paints.....12

R

RS15 Assembly.....6
RS15 Decals.....14
RS20 Decals.....16
RS20 Frame & Stand.....8
RS20 Shank Assembly.....10

General Information

Using This Manual

This manual is divided into sections. The first section contains General Information. The remaining sections divide the machine into segments (i.e. Frames, Drives, Hydraulics, etc.) which illustrate and list all parts. A Parts Number Index is located at the back of the book.

The Land Pride parts in this manual are specially designed for this machine and should be replaced with Land Pride parts only.

The information in this manual is current at time of printing. Some parts may change to assure top performance.

Right-hand and left-hand as used in this manual are determined by facing the direction the machine will travel while in use.

Below is an example of two facing pages from a parts manual. Familiarize yourself with the type of information contained on these pages.

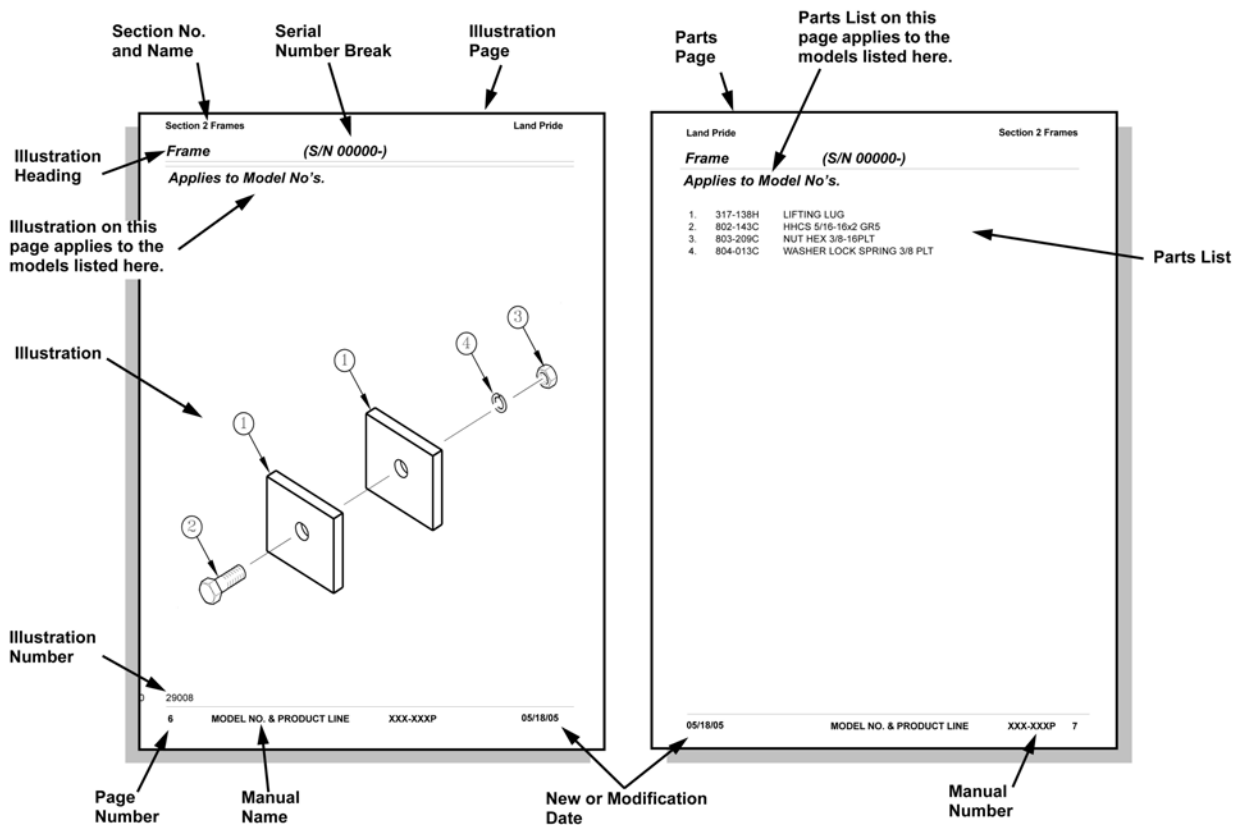
Manual Replacement Information

Replacement manuals are available. Refer to our website at www.landpride.com or e-mail us at lit@landpride.com for additional information. Our website continues to provide the most up-to-date manuals available.

Touch-up Paint

Repaint parts where paint is worn or scratched to prevent rust. Aerosol cans and touch-up bottles with brush applicator are available through your local dealer. Also available are quart and gallon size paints. Add QT or GL to end of the Aerosol P/N.

Land Pride color descriptions and part numbers are listed on the "Land Pride Touch-up Paints" page in the "Decals" section of this book. Color options vary by product.



General Information

Hardware Legend

AR	As Required
BLADE	Blade Bolt
C	Cap Screw
CP	Cotter Pin
CPHSSS	Cup Point Hex Socket Set Screw
CPSHSS	Cup Point Square Head Set Screw
CPSQHSS	Cup Point Square Head Set Screw
CRFCHMS3	Cross Recess Flat Countersunk Head Machine Screw
CRPHMS	Cross Recess Pan Head Machine Screw
CRPHTF	Cross Recess Pan Head Thread Forming
CRRHMS	Cross Recess Round Head Machine Screw
CRTHMS	Cross Recess Truss Head Machine Screw
CSNB	Countersunk Square Neck Bolt
FHMS	Flat Head Machine Screw
FTC	Full Thread Cap Screw
H	Hex Nut
HCLN	Hex Center Lock Nut
HFLCS	Hex Flange Lock Cap Screw
HFS	Hex Flange Screw
HFSLN	Hex Flange Serrated Lock Nut
HFSS	Hex Flange Serrated Screw
HHCS	Hex Head Cap Screw or Metric Bolt
HSBHCS	Hex Socket Button Head Cap Screw
HSFCHCS	Hex Socket Flat Countersunk Head Cap Screw
HSHCS	Hex Socket Head Cap Screw
HSSS	Hex Socket Head Screw
HTLN	Hex Top Lock Nut
HWHCS	Hex Washer Head Cap Screw

HWHMS	Hex Washer Head Machine Screw
HXBHCS	Hex Socket Button Head Cap Screw
J	Hex Jam Nut
JIC	37 Degree Tapered Thread
L	Helical Spring Lock Washer
LUG	Lug Bolt
NFC	National Fine Cap Screw
NPSM	National Pipe Straight Mechanical
NPTF	National Pipe Taper Fuel
P	Wide Plain Washer
PHMS	Pan Head Machine Screw
PLOW	Plow Bolt
RHMS	Round Head Machine Screw
RHSNB	Round Head Square Neck Bolt
SCREW LEVELING	Leveling Screw
SCREW THUMB	Thumb Screw
SCREW WELD	Weld Screw
SFCHMS	Slotted Flat Countersunk Head Machine Screw
SFHMS	Slotted Fillister Head Machine Screw
SP	Special
SP SCREW	Special Screw
SQHSS	Square Head Set Screw
SRHMS	Slotted Round Head Machine Screw
SSS	Socket Set Screw
STCS	Self Tapping Cap Screw
STHMS	Slotted Truss Head Machine Screw
WHEEL	Wheel Studs and Hub Long Bolts
WING	Wing Bolt

Replacement Hardware

The **Hardware Legend** above lists hardware abbreviations used in the parts list. All bolts and nuts are Grade 5 unless otherwise noted. The use of improper grades of hardware can result in personal injury, damage to equipment, or loss of property.

Colored Replacement Parts

Land Pride offers replacement parts in factory standard colors and also on select models in Green, Orange, Red and Blue. Because of the variety of colors available, special attention must be given to the part number to prevent ordering the wrong replacement part.

A suffix number corresponding to one of the colors below must be added at the end of Land Pride's part number when ordering a replacement part with that color.

81 Green 83 Red
82 Orange 84 Blue

For example, if you are ordering a replacement part with part number 555-555C and the part you need is red, then add the suffix 83 to the end of the number to make the part number read 555-555C83. Parts ordered without a suffix number will be supplied in factory standard colors.

Black Replacement Parts

Some parts are factory standard black and some must be special ordered black. If your part is special ordered black, a second part number with the additional suffix number 85 on the end will be available. In this situation you must order that part with the suffix number for it to be black. Parts that are factory standard black will not have the suffix number.

Part Number Service Coding

Within the parts list some part numbers are coded for revisions and interchangeability. See notations in revision column.

Serial Numbers

Always use the serial and model number when ordering parts. Refer to the Operator's Manual for serial number plate location.

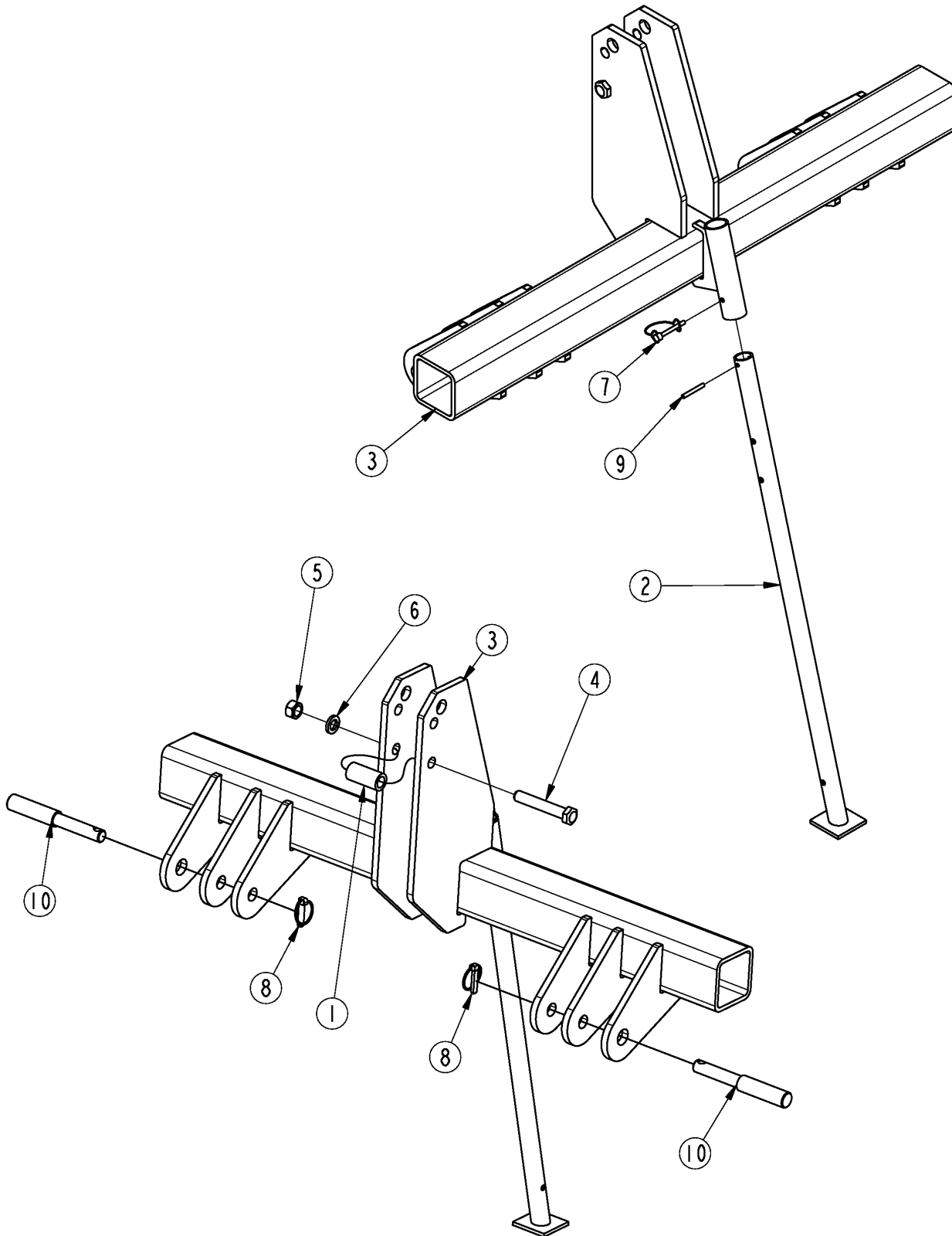
- (S/N 20001+) Includes serial numbers 20001 and above (to the latest number)
- (S/N 10001 to 20000) Includes serial numbers between and including 10001 and 20000
- (S/N 10000-) Includes serial numbers 10000 and below (to the earliest number)

RS15 Assembly**Applies to RS15**

Ref	Part No.	Part Description	Comments	Revision
	Dwg 39354	Image No.		
1.	307-228H	SINGLE RIPPER SHANK FRAME	Beige	
1.	307-228H82	SINGLE RIPPER SHANK FRAME, ORG	Orange	
2.	307-230H	PARKING STAND		
3.	599-143D	SPACER BUSHING		
4.	802-060C	HHCS 5/8-11X4 GR5		
5.	802-130C	HHCS 1/2-13X2 1/2 GR5		
6.	803-019C	NUT LOCK 1/2-13 PLT		
7.	803-024C	NUT LOCK 5/8-11 PLT		
8.	803-026C	NUT LOCK 3/4-10 PLT		
9.	804-016C	WASHER FLAT 1/2 SAE PLT		
10.	804-093C	WASHER FLAT 3/4 HARD ASTM436		
11.	805-065C	PIN WIRE RETAINING 1/4 X 1 3/4		
12.	805-255C	PIN ROLL 3/8 X 2 1/2 PLT		
13.	820-622C	PARABOLIC RIPPER SHANK, 1 1/4		
14.	820-626C	TIP 1 1/4" X 2"		
15.	842-172C	HHCS 3/4-10X4 GR8		
16.	805-433C	PIN HTCH C1-C2 8.0 L		
17.	803-027C	NUT HEX 3/4-10 PLT		
18.	805-103C	PIN LINCH 7/16 X 1 3/4		
19.	804-023C	WASHER LOCK SPRING 3/4 PLT		
20.	307-152D	SPACER 1 1/4ODX13/16IDX2.59		
21.	802-192C	HHCS 3/4-10X4 1/2 GR5		

RS20 Frame & Stand

Applies to RS20



39350

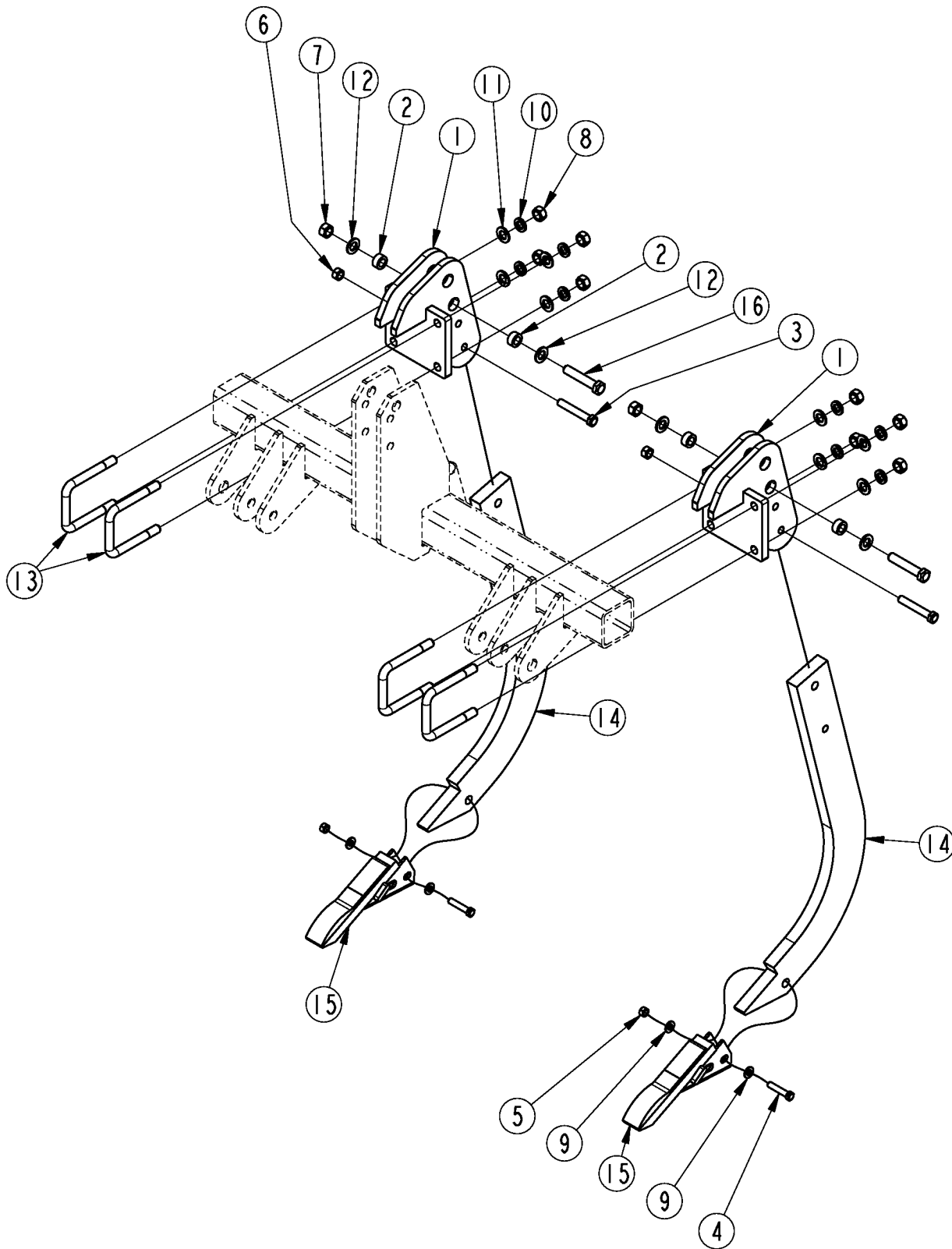
RS20 Frame & Stand

Applies to RS20

Ref	Part No.	Part Description	Comments	Revision
	Dwg 39350	Image No.		
1.	307-152D	SPACER 1 1/4ODX13/16IDX2.59		
2.	307-230H	PARKING STAND		
3.	307-233H	DUAL RIPPER SHANK FRAME	Beige	
3.	307-233H82	DUAL RIPPER SHANK FRAME ORANGE	Orange	
4.	802-192C	HHCS 3/4-10X4 1/2 GR5		
5.	803-027C	NUT HEX 3/4-10 PLT		
6.	804-023C	WASHER LOCK SPRING 3/4 PLT		
7.	805-065C	PIN WIRE RETAINING 1/4 X 1 3/4		
8.	805-103C	PIN LINCH 7/16 X 1 3/4		
9.	805-255C	PIN ROLL 3/8 X 2 1/2 PLT		
10.	805-433C	PIN HTCH C1-C2 8.0 L		

RS20 Shank Assembly

Applies to RS20



39352

RS20 Shank Assembly

Applies to RS20

Ref	Part No.	Part Description	Comments	Revision
	Dwg 39352	Image No.		
1.	307-235H	BOLT ON SHANK MOUNT		
2.	599-143D	SPACER BUSHING		
3.	802-060C	HHCS 5/8-11X4 GR5		
4.	802-130C	HHCS 1/2-13X2 1/2 GR5		
5.	803-019C	NUT LOCK 1/2-13 PLT		
6.	803-024C	NUT LOCK 5/8-11 PLT		
7.	803-026C	NUT LOCK 3/4-10 PLT		
8.	803-027C	NUT HEX 3/4-10 PLT		
9.	804-016C	WASHER FLAT 1/2 SAE PLT		
10.	804-023C	WASHER LOCK SPRING 3/4 PLT		
11.	804-025C	WASHER FLAT 3/4 SAE PLT		
12.	804-093C	WASHER FLAT 3/4 HARD ASTM F436		
13.	806-126C	U-BOLT 3/4-10 X 4 1/32 X 5 3/4		
14.	820-622C	PARABOLIC RIPPER SHANK, 1 1/4		
15.	820-626C	TIP 1 1/4" X 2"		
16.	842-172C	HHCS 3/4-10X4 GR8		

Land Pride Touch-up Paints

Applies to RS15, RS20

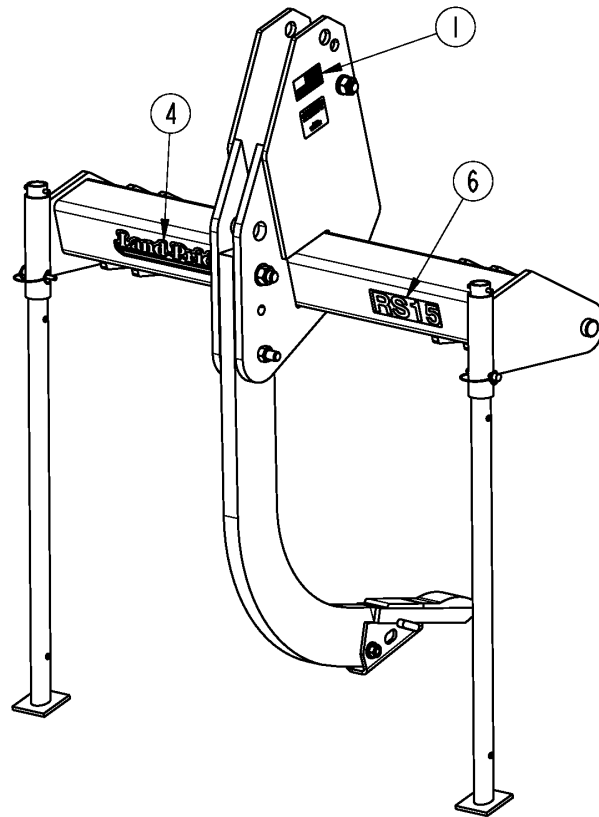
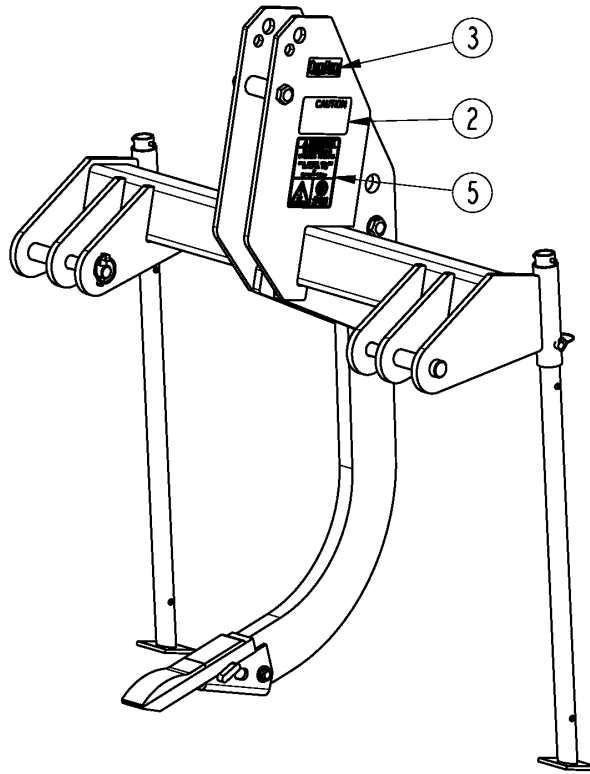
No diagram associated with this Parts List

Land Pride Touch-up Paints**Applies to RS15, RS20**

Ref	Part No.	Part Description	Comments	Revision
1.	821-011C	LP BEIGE SPRAY CAN	Spray can	
1.	821-070C	GLOSS BLACK SPRAY CAN	Spray can	
1.	821-054C	MED. RED SPRAY TRCK/CTR	Spray can	
1.	821-058C	GREEN SPRAY CUTTERS	Spray can	
1.	821-066C	ORANGE SPRAY CAN	Spray can	
1.	821-067C	BLUE SPRAY CAN	Spray can	
1.	821-080C	PAINT ALUMINUM/ZINC SPRAY CAN	Spray can	
2.	821-011CTU	LP BEIGE TOUCH-UP 5OZ	Touch-up bottle with brush	
2.	821-070CTU	GLOSS BLACK TOUCH-UP 5OZ	Touch-up bottle with brush	
2.	821-054CTU	MED RED TOUCH-UP 5OZ	Touch-up bottle with brush	
2.	821-058CTU	GREEN TOUCH-UP 5OZ	Touch-up bottle with brush	
2.	821-066CTU	ORANGE TOUCH-UP 5OZ	Touch-up bottle with brush	
2.	821-067CTU	BLUE TOUCH-UP 5OZ	Touch-up bottle with brush	
2.	821-080CTU	PAINT ALUMINUM/ZINC TOUCH UP	Touch-up bottle with brush	
3.	821-011CQT	LP BEIGE QUART	Quart can	
3.	821-070CQT	GLOSS BLACK QUART	Quart can	
3.	821-054CQT	MED RED QUART	Quart can	
3.	821-058CQT	GREEN QUART	Quart can	
3.	821-066CQT	ORANGE QUART	Quart can	
3.	821-067CQT	BLUE QUART	Quart can	
3.	821-080CQT	PAINT ALUMINUM/ZINC QUART	Quart can	
4.	821-011CGL	LP BEIGE GALLON	Gallon can	
4.	821-070CGL	GLOSS BLACK GALLON	Gallon can	
4.	821-054CGL	MED RED GALLON	Gallon can	
4.	821-058CGL	GREEN GALLON	Gallon can	
4.	821-066CGL	ORANGE GALLON	Gallon can	
4.	821-067CGL	BLUE GALLON	Gallon can	
4.	821-080CGL	PAINT ALUMINUM/ZINC GALLON	Gallon can	

RS15 Decals

Applies to RS15



39355

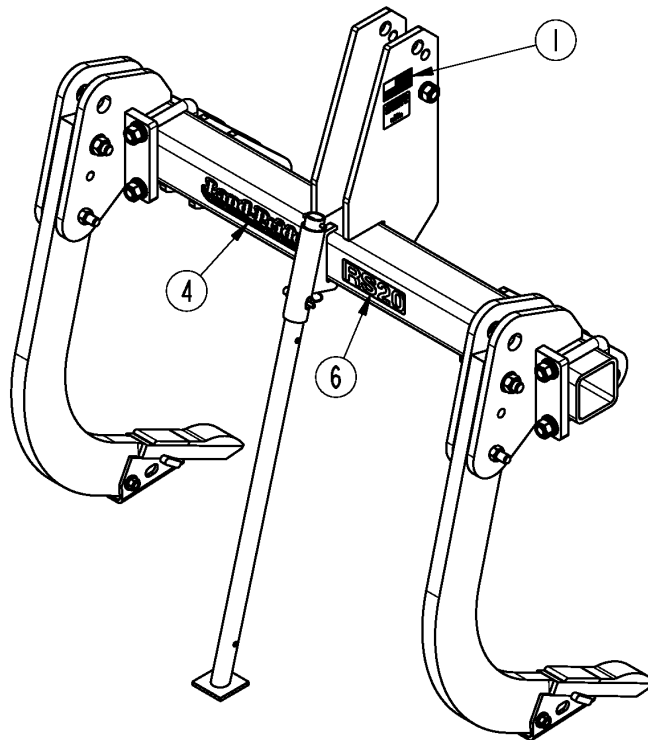
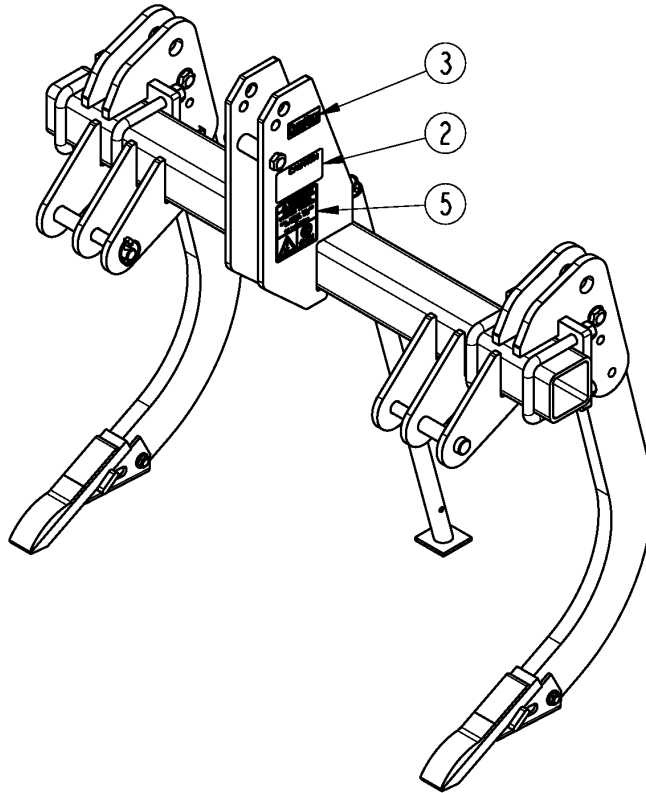
RS15 Decals

Applies to RS15

Ref	Part No.	Part Description	Comments	Revision
	Dwg 39355	Image No.		
1.	818-190C	DECAL FLAG		
2.	818-719C	DECAL CAUTION GENERAL INSTR		
3.	838-517C	DECAL QUICK HITCH SYSTEM		
4.	848-159C	DECAL LANDPRIDE 10" BROWN/GOLD		
5.	858-237C	DECAL, DIG SAFE		
6.	858-524C	DECAL RS15		

RS20 Decals

Applies to RS20



39351

RS20 Decals

Applies to RS20

Ref	Part No.	Part Description	Comments	Revision
	Dwg 39351	Image No.		
1.	818-190C	DECAL FLAG		
2.	818-719C	DECAL CAUTION GENERAL INSTR		
3.	838-517C	DECAL QUICK HITCH SYSTEM		
4.	848-159C	DECAL LANDPRIDE 10" BROWN/GOLD		
5.	858-237C	DECAL, DIG SAFE		
6.	858-525C	DECAL RS20		



Part Number Index

The Part Number Index is a numeric index of all part numbers included in this manual. The index shows what page(s) the part is used on.

<u>Part Number</u>	<u>Page</u>
307-152D	7, 9
307-228H	7
307-228H82	7
307-230H	7, 9
307-233H	9
307-233H82	9
307-235H	11
599-143D	7, 11
802-060C	7, 11
802-130C	7, 11
802-192C	7, 9
803-019C	7, 11
803-024C	7, 11
803-026C	7, 11
803-027C	7, 9, 11
804-016C	7, 11
804-023C	7, 9, 11
804-025C	11
804-093C	7, 11
805-065C	7, 9
805-103C	7, 9
805-255C	7, 9
805-433C	7, 9
806-126C	11
818-190C	15, 17
818-719C	15, 17
820-622C	7, 11
820-626C	7, 11
821-011C	13
821-011CGL	13
821-011CQT	13
821-011CTU	13
821-054C	13
821-054CGL	13
821-054CQT	13
821-054CTU	13
821-058C	13
821-058CGL	13
821-058CQT	13
821-058CTU	13
821-066C	13
821-066CGL	13
821-066CQT	13
821-066CTU	13
821-067C	13
821-067CGL	13
821-067CQT	13
821-067CTU	13
821-070C	13
821-070CGL	13
821-070CQT	13
821-070CTU	13
821-080C	13
821-080CGL	13
821-080CQT	13
821-080CTU	13
838-517C	15, 17
842-172C	7, 11
848-159C	15, 17
858-237C	15, 17
858-524C	15
858-525C	17
Dwg 39350	9
Dwg 39351	17
Dwg 39352	11
Dwg 39354	7
Dwg 39355	15

This Page Intentionally Left Blank



Great Plains Manufacturing, Inc.

Corporate Office: P.O. Box 5060
Salina, Kansas 67402-5060 USA

www.landpride.com
