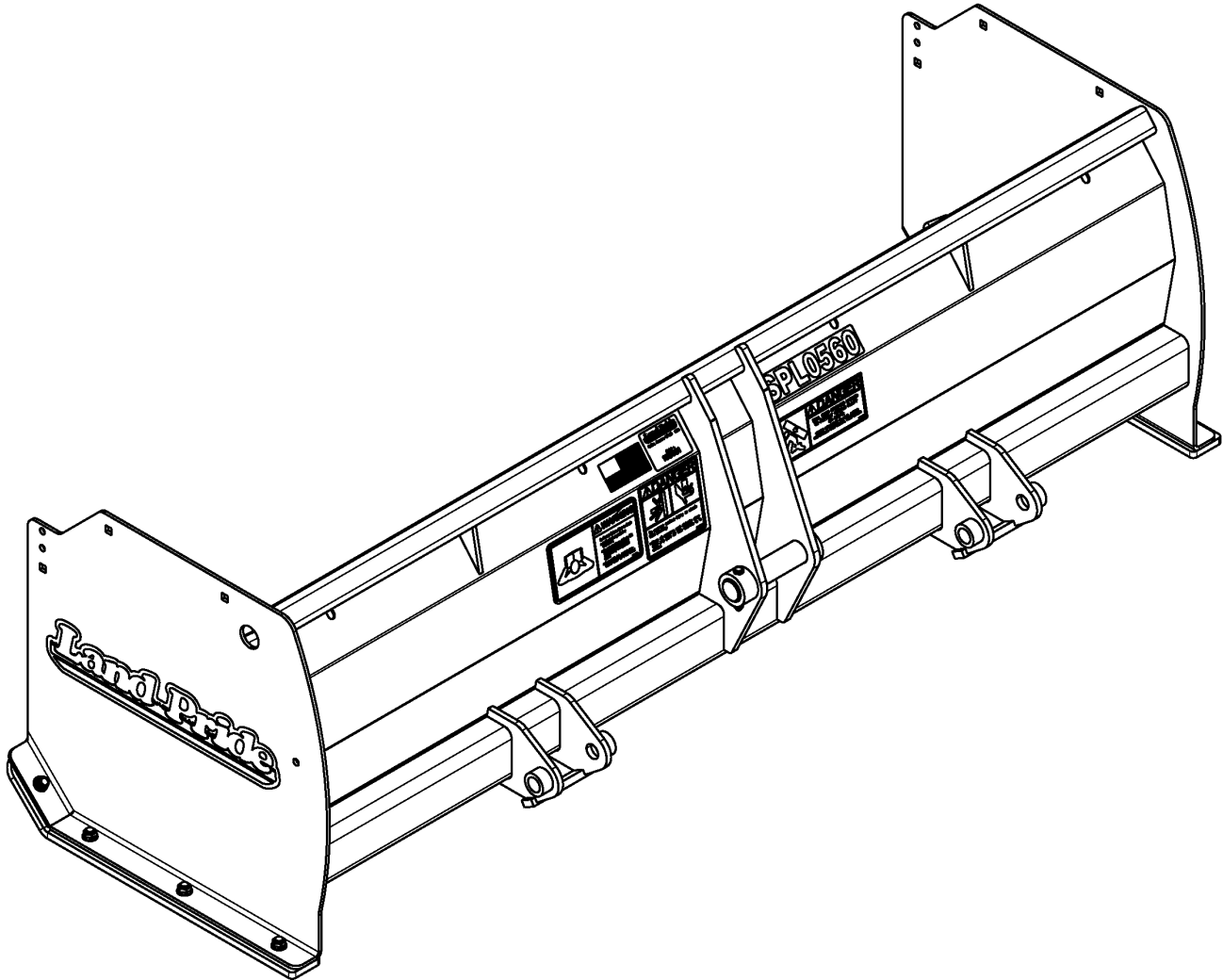


Snow Pushers

SPL0548 & SPL0560



39713

303-454P **Parts Manual**



Read the Operator's Manual entirely. When you see this symbol, the subsequent instructions and warnings are serious - follow without exception. Your life and the lives of others depend on it!

© Copyright 2018 Printed 07/10/18

Cover photo may show optional equipment not supplied with standard unit.





Table of Contents

Section 1: Introduction.....	4
Using This Manual.....	4
Manual Replacement Information.....	4
Manual Revisions.....	4
Touch-up Paint.....	4
Hardware Legend.....	5
Replacement Hardware.....	5
Serial Numbers.....	5
Part Number Service Coding.....	5
Section 2: Frame Assembly & Labels.....	6
SPL05 Frame and Skid Shoes.....	6
SPL05 Labels.....	8
Section 3: Options & Accessories.....	10
28" Orange Marker Assembly.....	10
BX Loader Attachment Pin Kit.....	12
BX80 Loader Arm Pin Kit.....	14
Hitch Adapter.....	16
Poly Blade Assembly.....	18
Pullback Assembly.....	20
Steel Blade Assembly.....	22
Part Number Index.....	24

© Copyright 2018. All rights reserved.

Land Pride provides this publication "as is" without warranty of any kind, either expressed or implied. While every precaution has been taken in the preparation of this manual, Land Pride assumes no responsibility for errors or omissions. Neither is any liability assumed for damages resulting from the use of the information contained herein. Land Pride reserves the right to revise and improve its products as it sees fit. This publication describes the state of this product at the time of its publication, and may not reflect the product in the future. The illustrations in this manual are not intended for safe and proper assembly or disassembly of equipment. The illustrations are intended for ordering parts only.

Land Pride is registered trademark.

All other brands and product names are trademarks or registered trademarks of their respective holders.

Printed in the United States of America.



Alphabetized Table of Contents

2	28" Orange Marker Assembly.....	10
B	BX Loader Attachment Pin Kit.....	12
	BX80 Loader Arm Pin Kit.....	14
H	Hitch Adapter.....	16
P	Poly Blade Assembly.....	18
	Pullback Assembly.....	20
S	SPL05 Frame and Skid Shoes.....	6
	SPL05 Labels.....	8
	Steel Blade Assembly.....	22

General Information

Using This Manual

This manual is divided into sections. The first section contains General Information. The remaining sections divide the machine into segments (i.e. Frames, Drives, Hydraulics, etc.) which illustrate and list all parts. A Parts Number Index is located at the back of the book.

The Land Pride parts in this manual are specially designed for this machine and should be replaced with Land Pride parts only.

The information in this manual is current at time of printing. Some parts may change to assure top performance.

Right-hand and left-hand as used in this manual are determined by facing the direction the machine will travel while in use.

Below is an example of two facing pages from a parts manual. Familiarize yourself with the type of information contained on these pages.

Manual Replacement Information

Replacement manuals are available. Refer to our website at www.landpride.com or e-mail us at lit@landpride.com for additional information. Our website continues to provide the most up-to-date manuals available.

Touch-up Paint

Repaint parts where paint is worn or scratched to prevent rust. Aerosol cans and touch-up bottles with brush applicator are available through your local dealer. Also available are quart and gallon size paints. Add QT or GL to end of the Aerosol P/N.

Land Pride color descriptions and part numbers are listed on the "Land Pride Touch-up Paints" page in the "Decals" section of this book. Color options vary by product.



General Information

Hardware Legend

AR	As Required
BLADE	Blade Bolt
C	Cap Screw
CP	Cotter Pin
CPHSSS	Cup Point Hex Socket Set Screw
CPSHSS	Cup Point Square Head Set Screw
CPSQHSS	Cup Point Square Head Set Screw
CRFCHMS3	Cross Recess Flat Countersunk Head Machine Screw
CRPHMS	Cross Recess Pan Head Machine Screw
CRPHTF	Cross Recess Pan Head Thread Forming
CRRHMS	Cross Recess Round Head Machine Screw
CRTHMS	Cross Recess Truss Head Machine Screw
CSNB	Countersunk Square Neck Bolt
FHMS	Flat Head Machine Screw
FTC	Full Thread Cap Screw
H	Hex Nut
HCLN	Hex Center Lock Nut
HFLCS	Hex Flange Lock Cap Screw
HFS	Hex Flange Screw
HFSLN	Hex Flange Serrated Lock Nut
HFSS	Hex Flange Serrated Screw
HHCS	Hex Head Cap Screw or Metric Bolt
HSBHCS	Hex Socket Button Head Cap Screw
HSFCHCS	Hex Socket Flat Countersunk Head Cap Screw
HSHCS	Hex Socket Head Cap Screw
HSSS	Hex Socket Head Screw
HTLN	Hex Top Lock Nut
HWHCS	Hex Washer Head Cap Screw

HWHMS	Hex Washer Head Machine Screw
HXBHCS	Hex Socket Button Head Cap Screw
J	Hex Jam Nut
JIC	37 Degree Tapered Thread
L	Helical Spring Lock Washer
LUG	Lug Bolt
NFC	National Fine Cap Screw
NPSM	National Pipe Straight Mechanical
NPTF	National Pipe Taper Fuel
P	Wide Plain Washer
PHMS	Pan Head Machine Screw
PLOW	Plow Bolt
RHMS	Round Head Machine Screw
RHSNB	Round Head Square Neck Bolt
SCREW LEVELING	Leveling Screw
SCREW THUMB	Thumb Screw
SCREW WELD	Weld Screw
SFCHMS	Slotted Flat Countersunk Head Machine Screw
SFHMS	Slotted Fillister Head Machine Screw
SP	Special
SP SCREW	Special Screw
SOHSS	Square Head Set Screw
SRHMS	Slotted Round Head Machine Screw
SSS	Socket Set Screw
STCS	Self Tapping Cap Screw
STHMS	Slotted Truss Head Machine Screw
WHEEL	Wheel Studs and Hub Long Bolts
WING	Wing Bolt

Replacement Hardware

The **Hardware Legend** above lists hardware abbreviations used in the parts list. All bolts and nuts are Grade 5 unless otherwise noted. The use of improper grades of hardware can result in personal injury, damage to equipment, or loss of property.

Colored Replacement Parts

Land Pride offers replacement parts in factory standard colors and also on select models in Green, Orange, Red and Blue. Because of the variety of colors available, special attention must be given to the part number to prevent ordering the wrong replacement part.

A suffix number corresponding to one of the colors below must be added at the end of Land Pride's part number when ordering a replacement part with that color.

- | | |
|-----------------------------------|---------------------------------|
| 81 Green | 83 Red |
| 82 Orange | 84 Blue |

For example, if you are ordering a replacement part with part number 555-555C and the part you need is red, then add the suffix 83 to the end of the number to make the part number read 555-555C83. Parts ordered without a suffix number will be supplied in factory standard colors.

Black Replacement Parts

Some parts are factory standard black and some must be special ordered black. If your part is special ordered black, a second part number with the additional suffix number 85 on the end will be available. In this situation you must order that part with the suffix number for it to be black. Parts that are factory standard black will not have the suffix number.

Part Number Service Coding

Within the parts list some part numbers are coded for revisions and interchangeability. See notations in revision column.

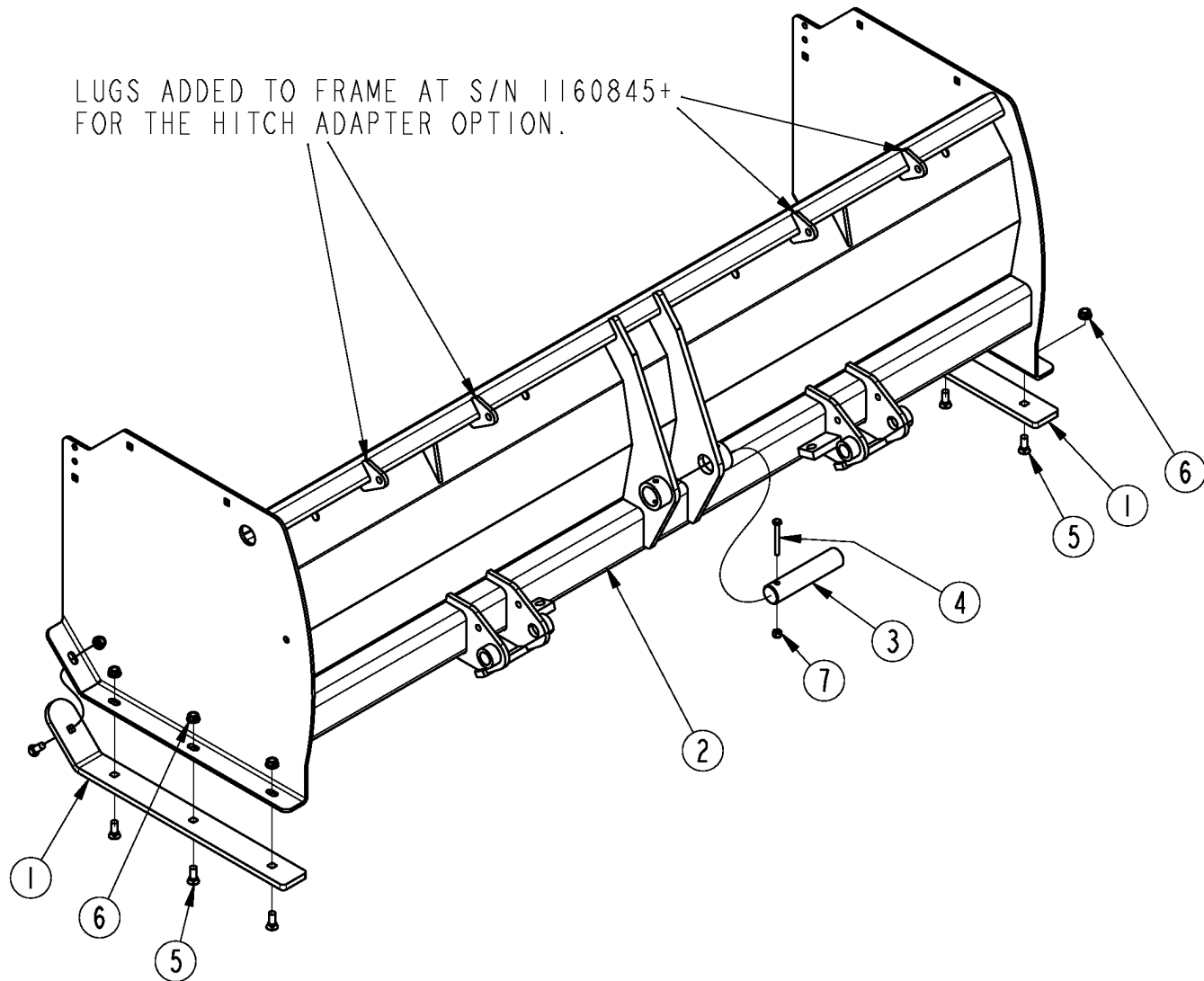
Serial Numbers

Always use the serial and model number when ordering parts. Refer to the Operator's Manual for serial number plate location.

- | | |
|----------------------|--|
| (S/N 20001+) | Includes serial numbers 20001 and above (to the latest number) |
| (S/N 10001 to 20000) | Includes serial numbers between and including 10001 and 20000 |
| (S/N 10000-) | Includes serial numbers 10000 and below (to the earliest number) |

SPL05 Frame and Skid Shoes

Applies to SPL0548, SPL0560



39723

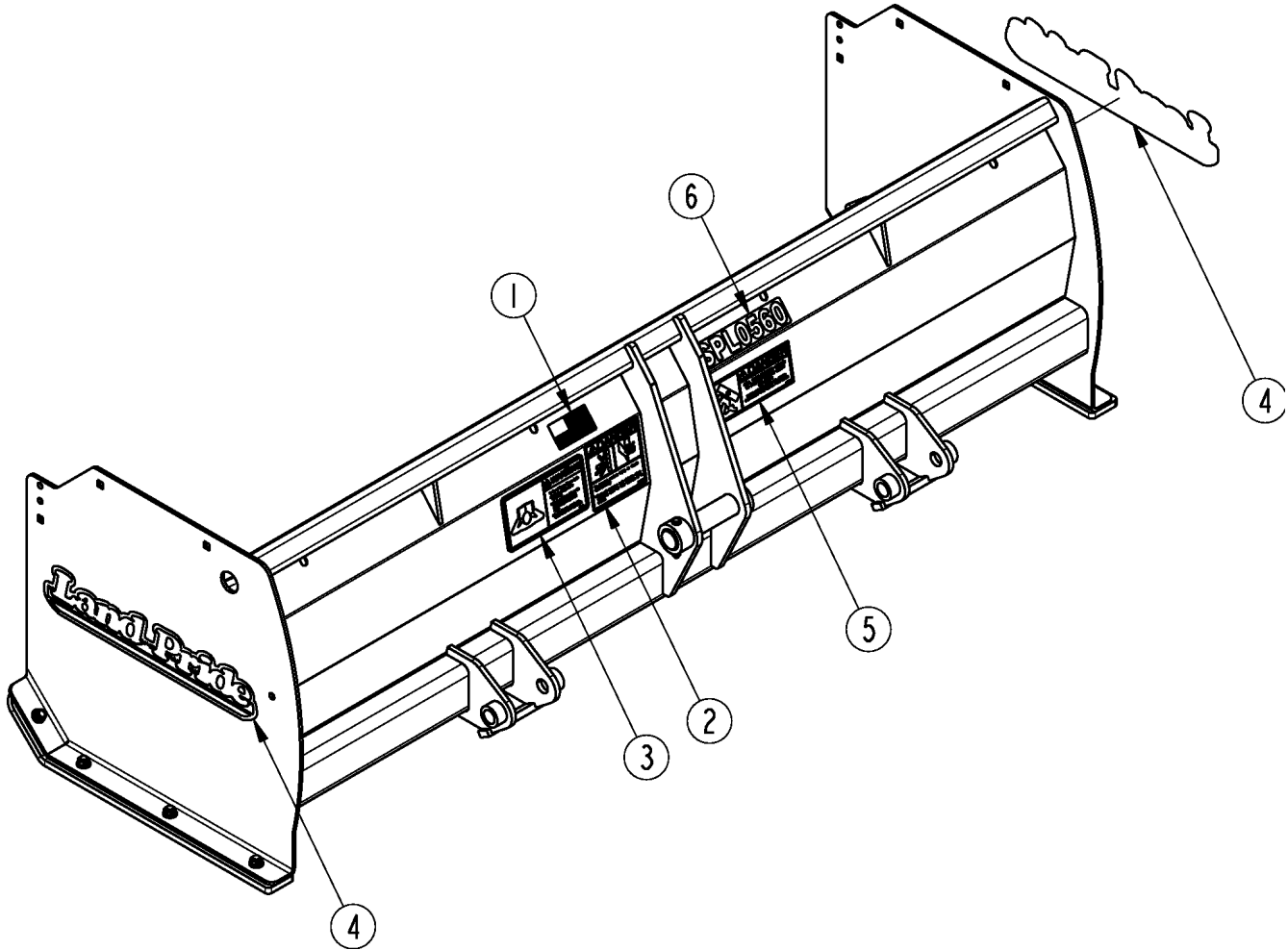
SPL05 Frame and Skid Shoes

Applies to SPL0548, SPL0560

Ref	Part No.	Part Description	Comments	Revision
	Dwg 39723	Drawing Image Number		
1.	303-386D	SNOW PUSHER SKID SHOE		
2.	303-444H82	SNOW PUSHER FRAME 48"	Lugs added at S/N 1160845+	
2.	303-443H82	SNOW PUSHER FRAME 60"	Lugs added at S/N 1160845+	
3.	380-222D	PIN, CTR PIVOT		
4.	802-551C	HHCS 1/4-20X2 1/4 GR5		
5.	802-603C	PLOW 3/8-16X1 GR5		
6.	803-198C	NUT HEX WHIZ 3/8-16 PLT		
7.	803-255C	NUT HEX NYLOCK 1/4-20		

SPL05 Labels

Applies to SPL0548, SPL0560



39724

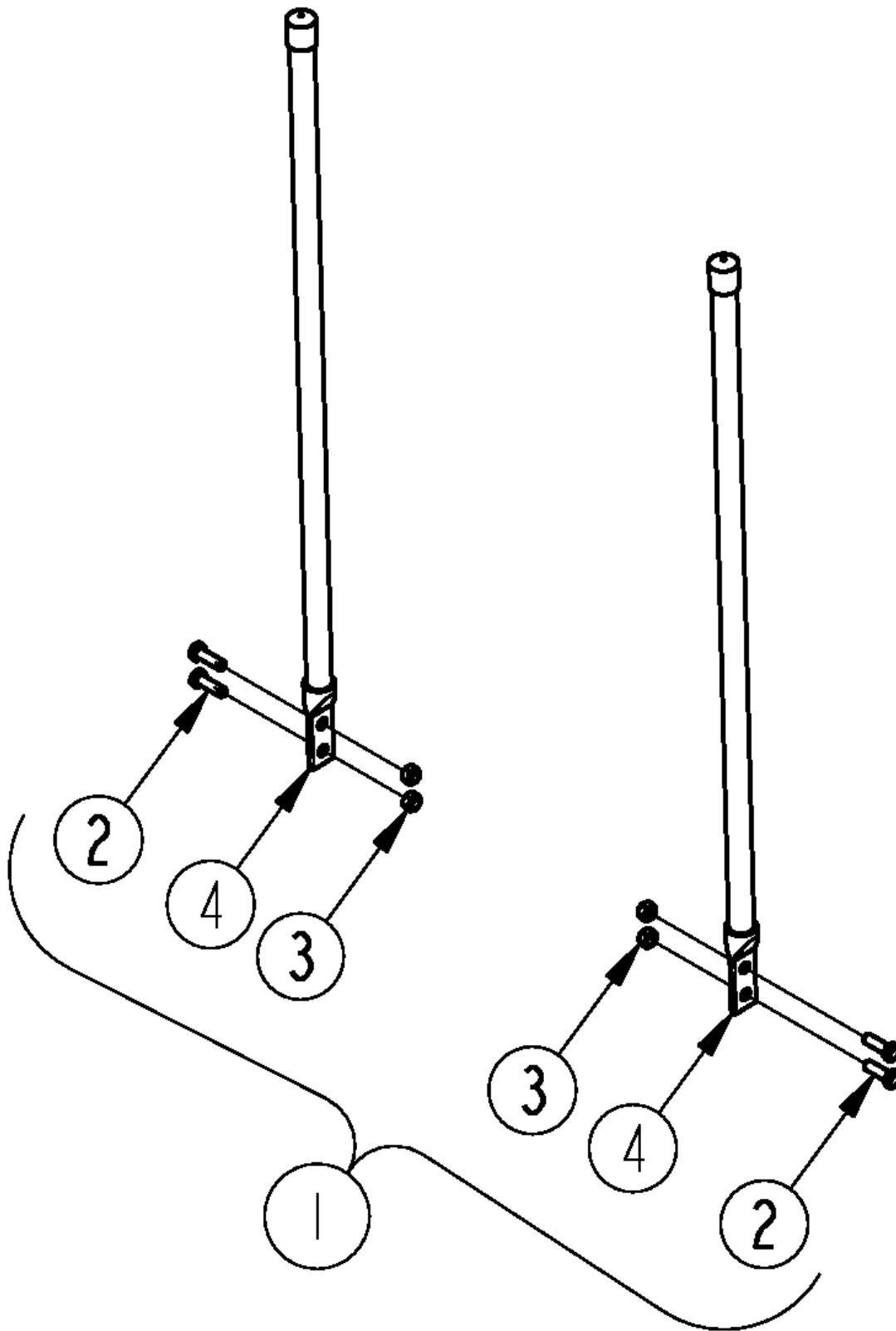
SPL05 Labels

Applies to SPL0548, SPL0560

Ref	Part No.	Part Description	Comments	Revision
	Dwg 39724	Drawing Image Number		
1.	818-190C	DECAL FLAG		
2.	838-112C	DECAL DANGER PINCHING		
3.	838-293C	DECAL WARNING READ MANUAL		
4.	838-965C	DECAL LANDPRIDE 16" BROWN/GOLD		
5.	858-215C	DECAL ROLLOVER CRUSHING HAZARD		
6.	858-620C	DECAL SPL0548		
6.	858-619C	DECAL SPL0560		

28" Orange Marker Assembly

Applies to SPL0548, SPL0560



26933

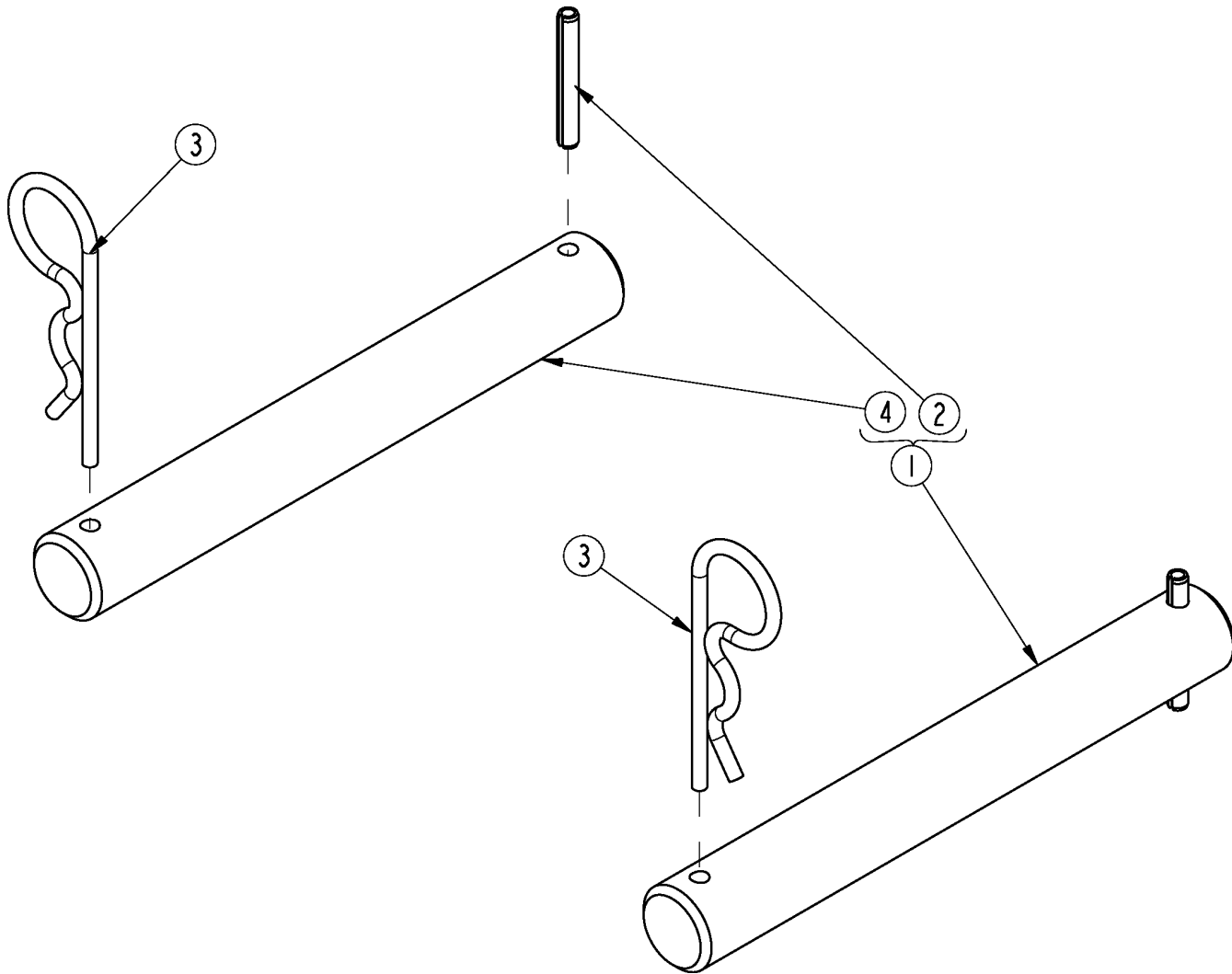
28" Orange Marker Assembly

Applies to SPL0548, SPL0560

Ref	Part No.	Part Description	Comments	Revision
	Dwg 26933	Drawing Image Number		
1.	323-026A	MARKER ASSY.		
2.	802-159C	HHCS 5/16-18X1 GR5		
3.	803-084C	NUT HEX NYLOCK 5/16-18 PLT		
4.	N/A	MARKER STICK		

BX Loader Attachment Pin Kit

Applies to SPL0548, SPL0560



35845

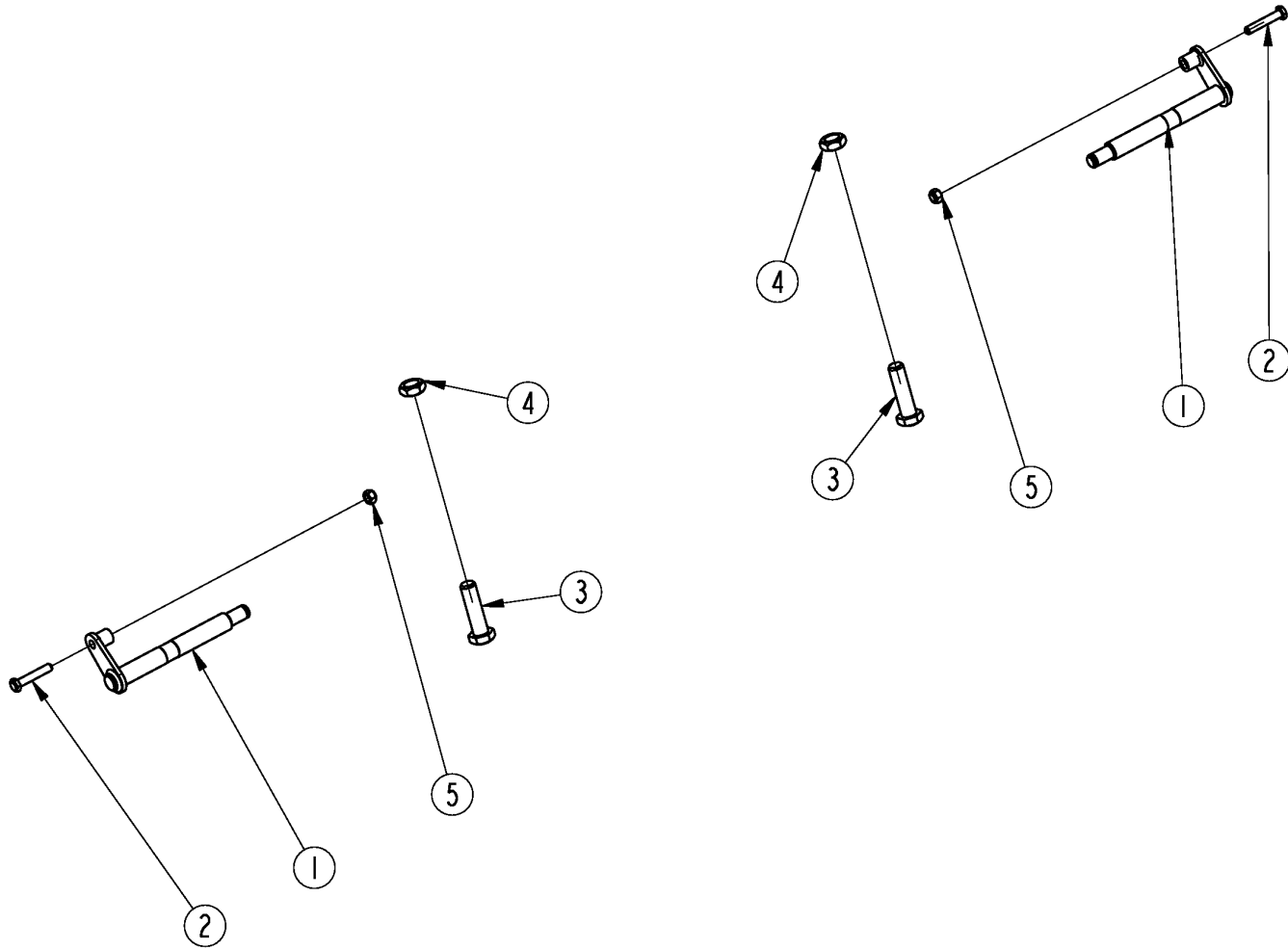
BX Loader Attachment Pin Kit

Applies to SPL0548, SPL0560

Ref	Part No.	Part Description	Comments	Revision
	Dwg 35845 380-146A	Drawing Image Number KIT, BX LOADER DIRECT PIN *		
1.	321-036S	PIN 3/4 OD X 5 1/8 USABLE ASSY		
2.	805-068C	PIN ROLL 5/32 X 1 1/4		
3.	805-143C	PIN HAIR COTTER .120 PLT		
4.	805-300C	PIN CLVS HDLS .75X5.13 USBL		

BX80 Loader Arm Pin Kit

Applies to SPL0548, SPL0560



70142

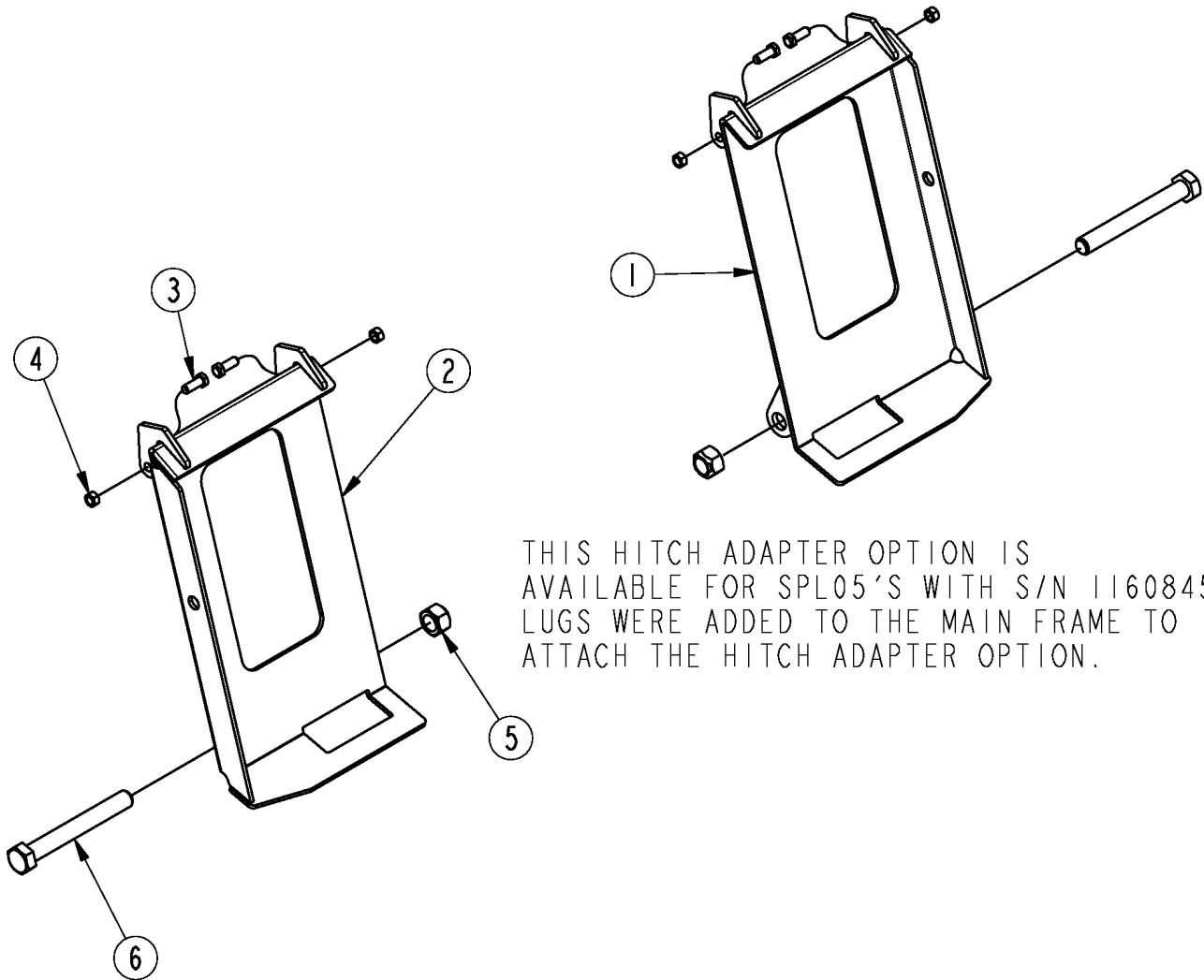
BX80 Loader Arm Pin Kit

Applies to SPL0548, SPL0560

Ref	Part No.	Part Description	Comments	Revision
	Dwg 70142	Drawing Image Number		
	380-296A	BX80 LOADER ARM PIN ON KIT	S/N 1201852+	
		*		
1.	380-294H	BX LOADER ARM PIN		
2.	802-013C	HHCS 5/16-18X1 3/4 GR5		
3.	802-057C	HHCS 5/8-11X2 1/4 GR5		
4.	803-023C	NUT HEX JAM 5/8-11 PLT		
5.	803-084C	NUT HEX NYLOCK 5/16-18 PLT		

Hitch Adapter

Applies to SPL0548, SPL0560



THIS HITCH ADAPTER OPTION IS AVAILABLE FOR SPL05'S WITH S/N 1160845+. LUGS WERE ADDED TO THE MAIN FRAME TO ATTACH THE HITCH ADAPTER OPTION.

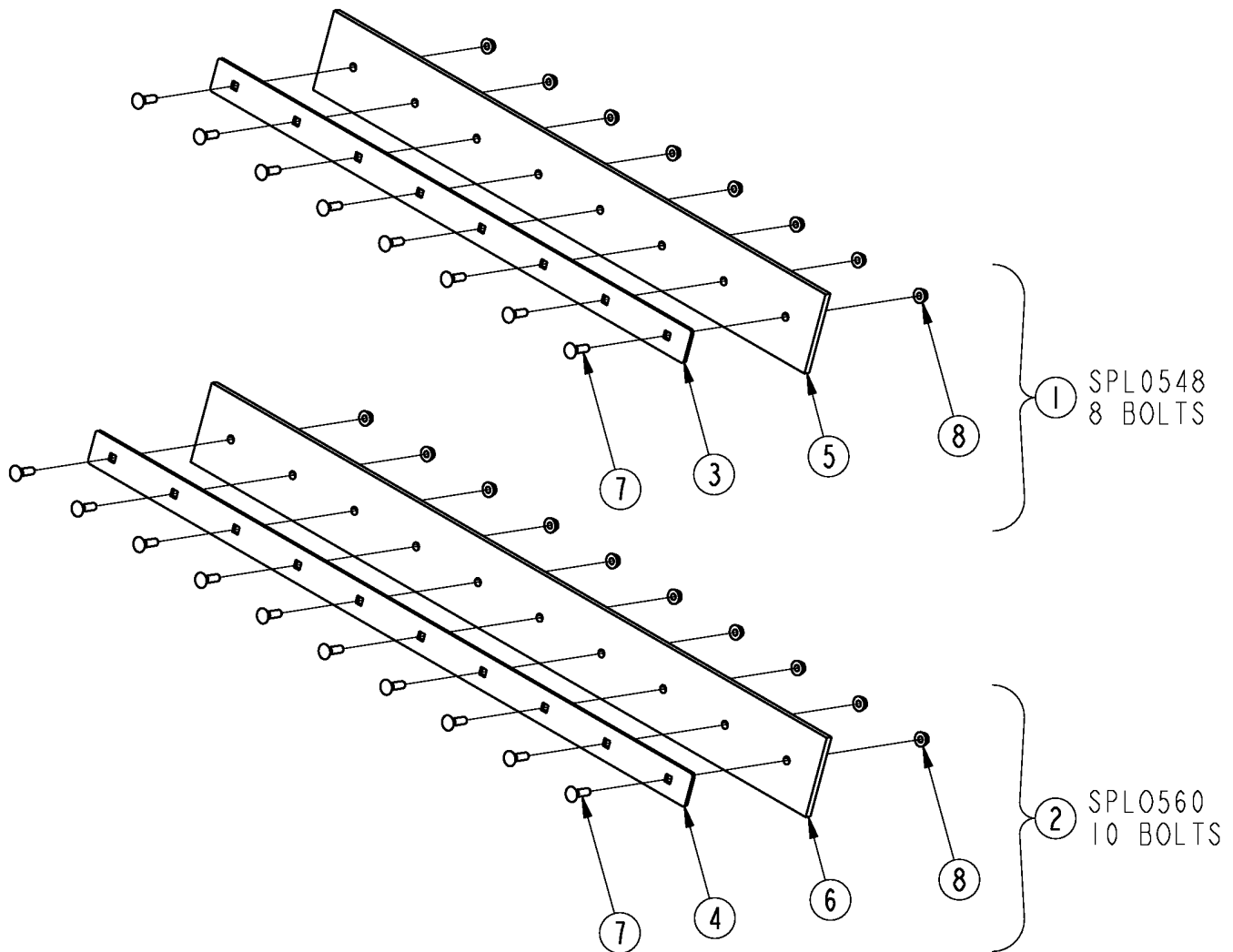
Hitch Adapter

Applies to SPL0548, SPL0560

Ref	Part No.	Part Description	Comments	Revision
	Dwg 70101	Drawing Image Number		
	303-476A	BX TO UNIVERSAL HITCH ADAPTER *		
1.	303-477H	RH HITCH ADAPTER		
2.	303-478H	LH HITCH ADAPTER		
3.	802-017C	HHCS 3/8-16X1 GR5		
4.	803-013C	NUT LOCK 3/8-16 PLT		
5.	803-397C	NUT HEX TOP LOCK M20X2.5		
6.	842-050C	HHCS M20X2.5X160 GR8.8		

Poly Blade Assembly

Applies to SPL0548, SPL0560



39726

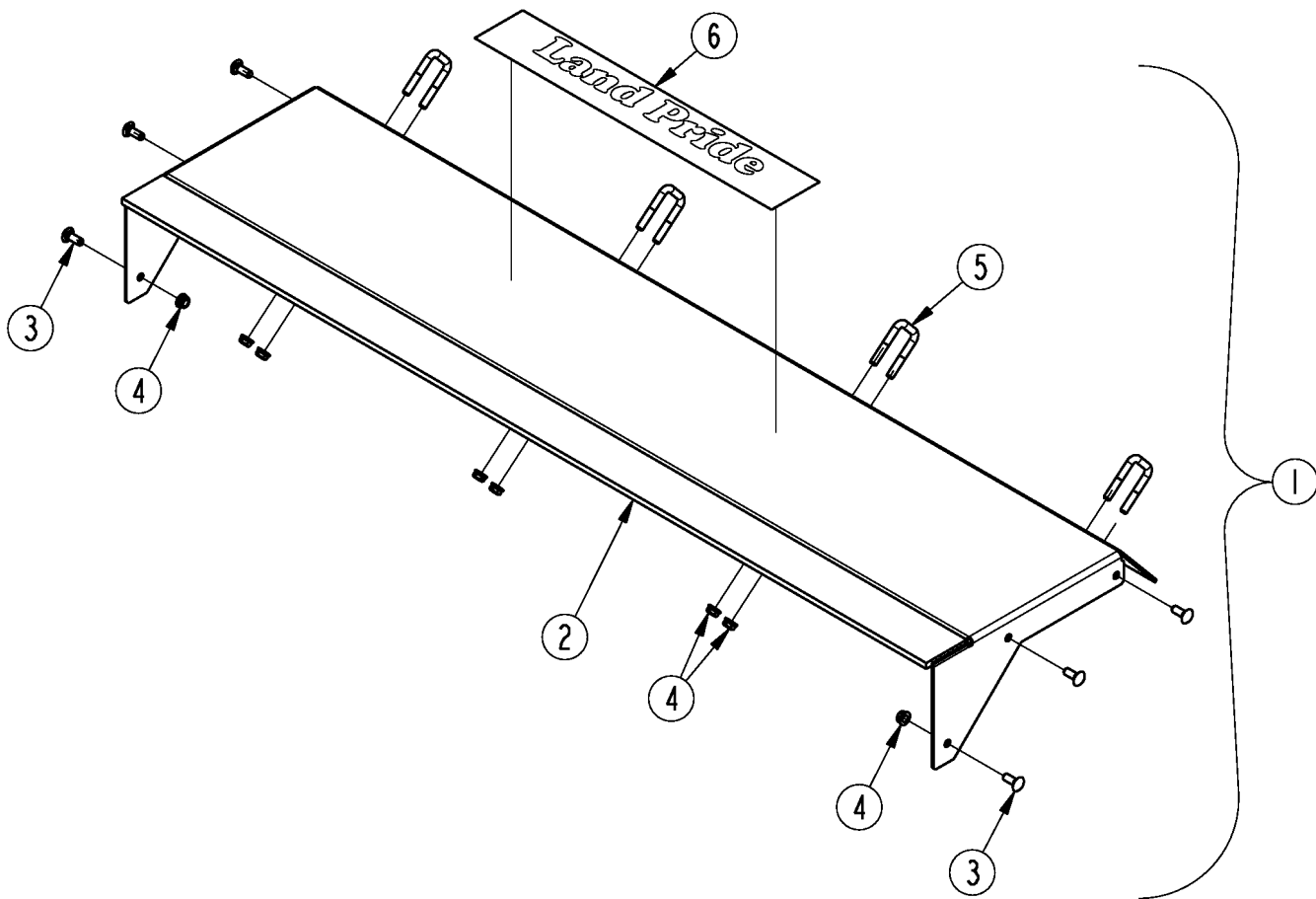
Poly Blade Assembly

Applies to SPL0548, SPL0560

Ref	Part No.	Part Description	Comments	Revision
	Dwg 39726	Drawing Image Number		
1.	303-453A	48" POLY BLADE ASY		
2.	303-452A	60" POLY BLADE ASY		
3.	303-396D	48" POLY BLADE STRAP		
4.	303-395D	60" POLY BLADE STRAP		
5.	837-110C	48" POLY BLADE		
6.	837-109C	60" POLY BLADE		
7.	802-331C	RHSNB 1/2-13X1 3/4 GR5		
8.	803-037C	NUT HEX WHIZ 1/2-13 PLT		

Pullback Assembly

Applies to SPL0548, SPL0560



39725

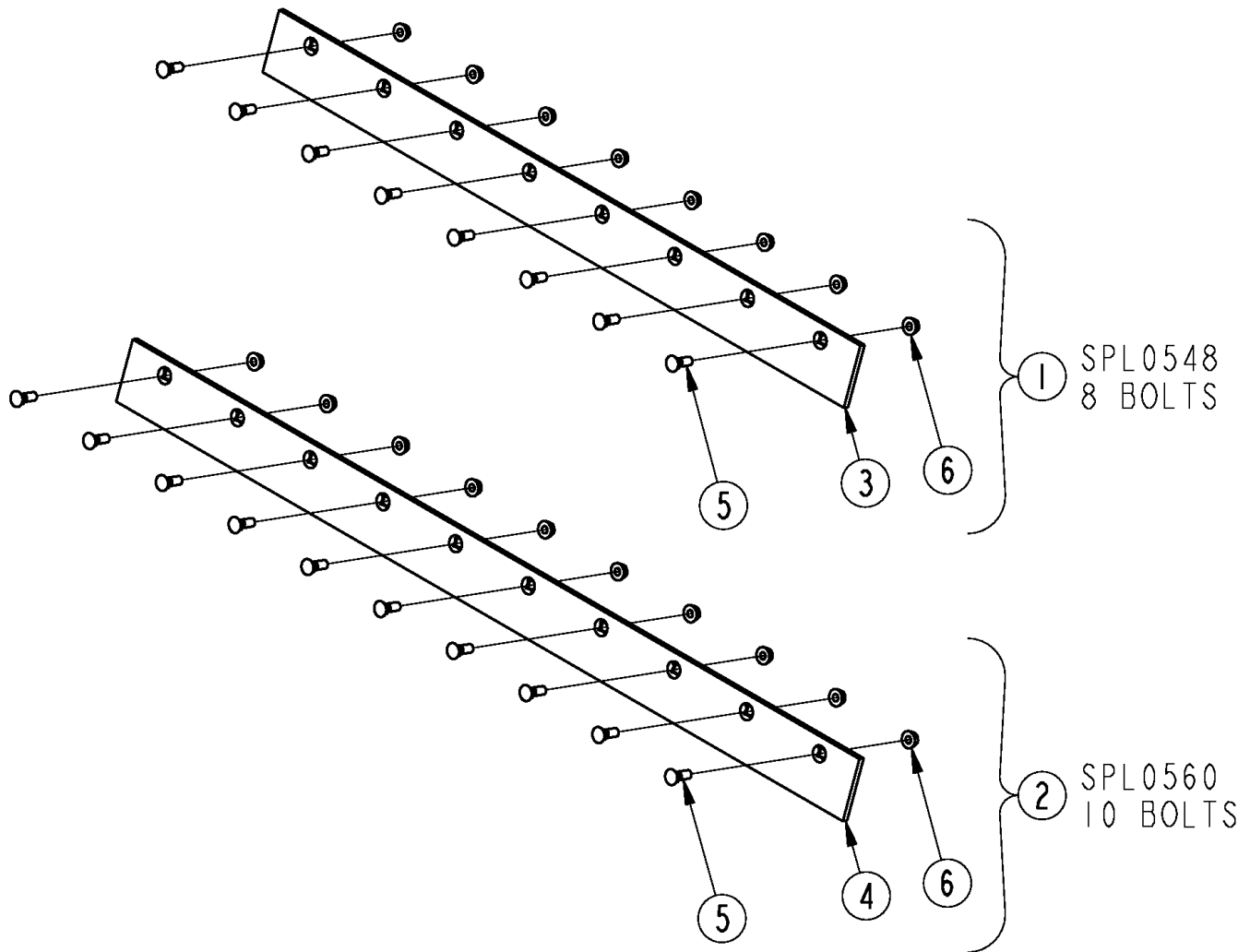
Pullback Assembly

Applies to SPL0548, SPL0560

Ref	Part No.	Part Description	Comments	Revision
	Dwg 39725	Drawing Image Number		
1.	303-450A82	PULL BACK ASY 48"		
1.	303-449A82	PULL BACK ASY 60"		
2.	303-448H82	PULL BACK FRAME 48"		
2.	303-447H82	PULL BACK FRAME 60"		
3.	802-015C	RHSNB 3/8-16X1 GR5		
4.	803-198C	NUT HEX WHIZ 3/8-16 PLT		
5.	806-191C	U-BOLT 3/8-16X1 17/32X2 1/2		
6.	838-966C	DECAL LANDPRIDE 22" BROWN/GOLD		

Steel Blade Assembly

Applies to SPL0548, SPL0560



Steel Blade Assembly

Applies to SPL0548, SPL0560

Ref	Part No.	Part Description	Comments	Revision
	Dwg 39727	Drawing Image Number		
1.	303-441A	SP STEEL BLADE ASY 48"		
2.	303-442A	SP STEEL BLADE ASY 60"		
3.	891-581C	STEEL CUTTING EDGE 4FT		
4.	891-582C	STEEL CUTTING EDGE 5FT		
5.	802-354C	PLOW 1/2-13X1 1/2 GR5		
6.	803-037C	NUT HEX WHIZ 1/2-13 PLT		



Part Number Index

The Part Number Index is a numeric index of all part numbers included in this manual. The index shows what page(s) the part is used on.

Part Number	Page
303-386D	7
303-395D	19
303-396D	19
303-441A	23
303-442A	23
303-443H82	7
303-444H82	7
303-447H82	21
303-448H82	21
303-449A82	21
303-450A82	21
303-452A	19
303-453A	19
303-476A	17
303-477H	17
303-478H	17
321-036S	13
323-026A	11
380-146A	13
380-222D	7
380-294H	15
380-296A	15
802-013C	15
802-015C	21
802-017C	17
802-057C	15
802-159C	11
802-331C	19
802-354C	23
802-551C	7
802-603C	7
803-013C	17
803-023C	15
803-037C	19, 23
803-084C	11, 15
803-198C	7, 21
803-255C	7
803-397C	17
805-068C	13
805-143C	13
805-300C	13
806-191C	21
818-190C	9
837-109C	19
837-110C	19
838-112C	9
838-293C	9
838-965C	9
838-966C	21
842-050C	17
858-215C	9
858-619C	9
858-620C	9
891-581C	23
891-582C	23
Dwg 26933	11
Dwg 35845	13
Dwg 39723	7
Dwg 39724	9
Dwg 39725	21
Dwg 39726	19
Dwg 39727	23
Dwg 70101	17
Dwg 70142	15
N/A	11

This Page Intentionally Left Blank



Great Plains Manufacturing, Inc.

Corporate Office: P.O. Box 5060
Salina, Kansas 67402-5060 USA

www.landpride.com
