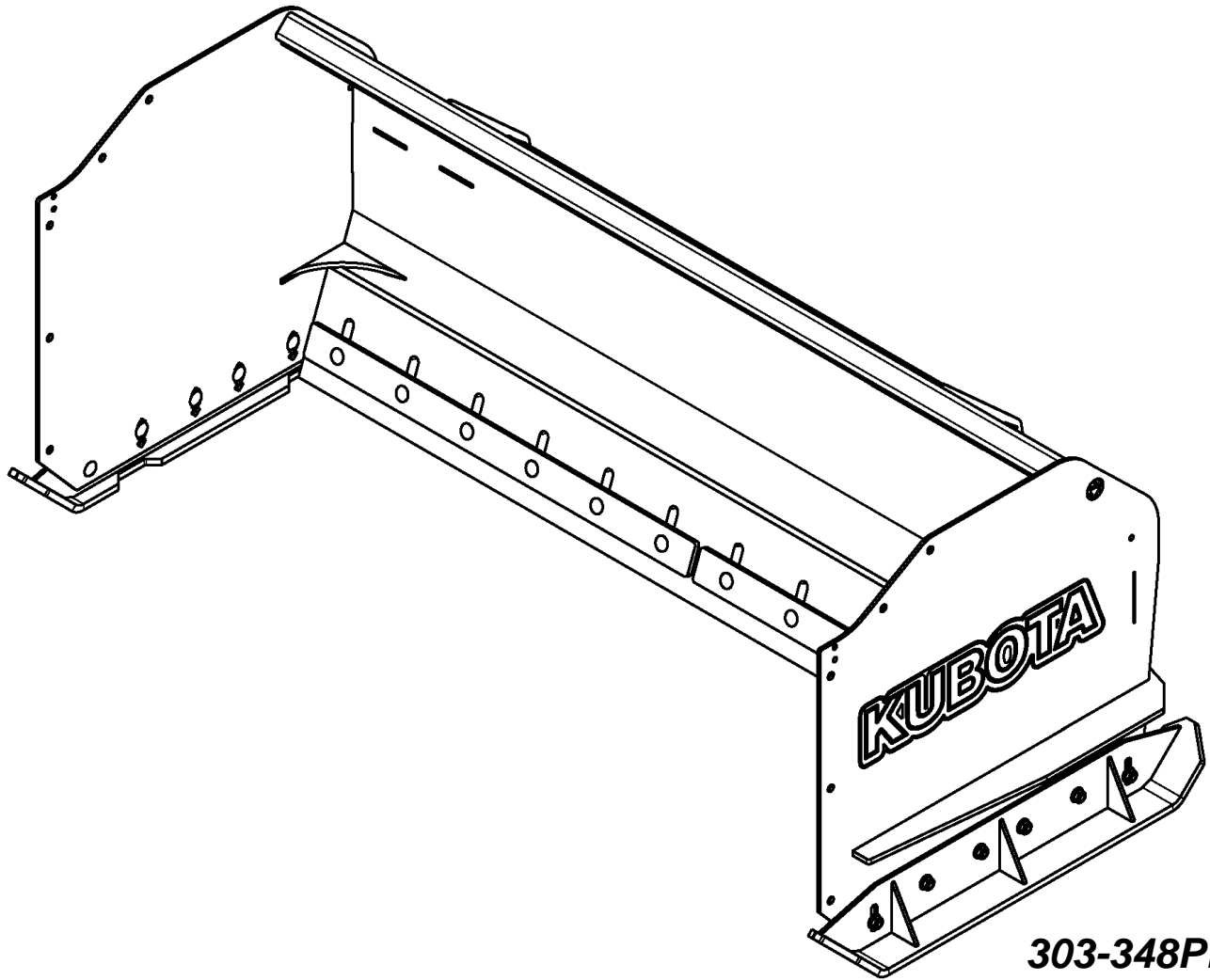


# Snow Pushers

---

**AP-SSP1572, AP-SSP1584, AP-SSP1596, &  
AP-SSP2596**



37732

# Kubota®

**303-348PK  
Parts Manual**



Read the Operator's Manual entirely. When you see this symbol, the subsequent instructions and warnings are serious - follow without exception. Your life and the lives of others depend on it!

© Copyright 2019 Printed 02/20/19

*Cover photo may show optional equipment not supplied with standard unit.*



# Table of Contents

---

<b>Section 1: Introduction.....</b>	<b>4</b>
Using This Manual.....	4
Manual Replacement Information.....	4
Manual Revisions.....	4
Touch-up Paint.....	4
Hardware Legend.....	5
Replacement Hardware.....	5
Serial Numbers.....	5
Part Number Service Coding.....	5
<b>Section 2: Complete Assembly.....</b>	<b>6</b>
Kubota Touch-up Paints.....	6
SSP15 Complete Assembly & Labels.....	8
SSP25 Complete Assembly & Labels.....	10
<b>Section 3: Options &amp; Accessories.....</b>	<b>12</b>
SSP15 Marker Edge.....	12
SSP15 Pull Back.....	14
SSP15 Steel Blade Components.....	16
SSP25 End Panel Braces.....	18
SSP25 Marker Edge.....	20
SSP25 Pull Back.....	22
SSP25 Steel Blade Components.....	24
<b>Part Number Index.....</b>	<b>26</b>

© Copyright 2019. All rights reserved.

Kubota provides this publication “as is” without warranty of any kind, either expressed or implied. While every precaution has been taken in the preparation of this manual, Kubota assumes no responsibility for errors or omissions. Neither is any liability assumed for damages resulting from the use of the information contained herein. Kubota reserves the right to revise and improve its products as it sees fit. This publication describes the state of this product at the time of its publication, and may not reflect the product in the future. The illustrations in this manual are not intended for safe and proper assembly or disassembly of equipment. The illustrations are intended for ordering parts only.

Kubota is registered trademark.

All other brands and product names are trademarks or registered trademarks of their respective holders.

*Printed in the United States of America.*



# Alphabetized Table of Contents

---

## K

Kubota Touch-up Paints.....6

## S

SSP15 Complete Assembly & Labels.....8  
SSP15 Marker Edge.....12  
SSP15 Pull Back.....14  
SSP15 Steel Blade Components.....16  
SSP25 Complete Assembly & Labels.....10  
SSP25 End Panel Braces.....18  
SSP25 Marker Edge.....20  
SSP25 Pull Back.....22  
SSP25 Steel Blade Components.....24

# General Information

## Using This Manual

This manual is divided into sections. The first section contains General Information. The remaining sections divide the machine into segments (i.e. Frames, Drives, Hydraulics, etc.) which illustrate and list all parts. A Parts Number Index is located at the back of the book.

The Kubota parts in this manual are specially designed for this machine and should be replaced with Kubota parts only.

The information in this manual is current at time of printing. Some parts may change to assure top performance.

Right-hand and left-hand as used in this manual are determined by facing the direction the machine will travel while in use.

Below is an example of two facing pages from a parts manual. Familiarize yourself with the type of information contained on these pages.

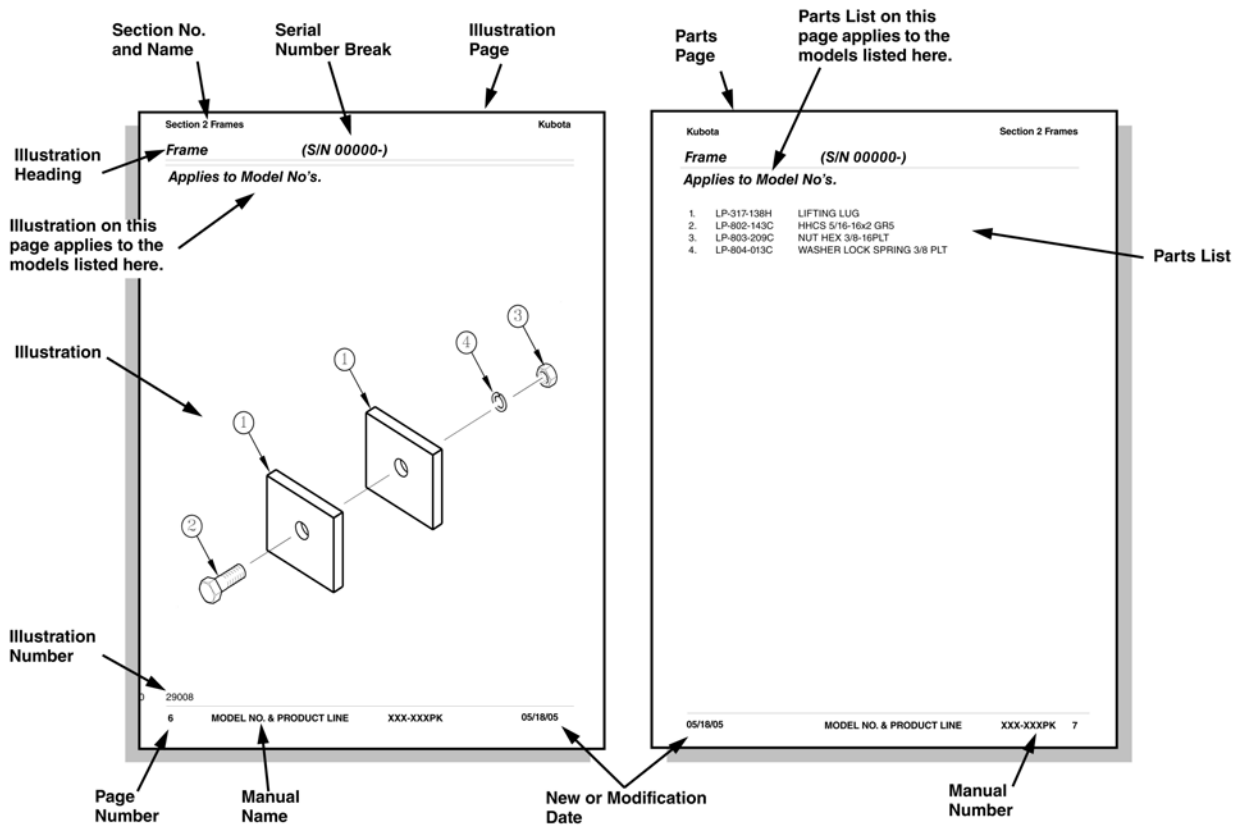
## Manual Replacement Information

Replacement manuals are available. Refer to our website at [www.landpride.com](http://www.landpride.com) for additional information. Our website continues to provide the most up-to-date manuals available.

## Touch-up Paint

Repaint parts where paint is worn or scratched to prevent rust. Aerosol cans and touch-up bottles with brush applicator are available through your local dealer. Also available are quart and gallon size paints. Add QT or GL to end of the Aerosol P/N.

Kubota color descriptions and part numbers are listed on the "Kubota Touch-up Paints" page in the "Decals" section of this book.



# General Information

## Hardware Legend

AR	As Required
BLADE	Blade Bolt
C	Cap Screw
CP	Cotter Pin
CPHSSS	Cup Point Hex Socket Set Screw
CPSHSS	Cup Point Square Head Set Screw
CPSQHSS	Cup Point Square Head Set Screw
CRFCHMS3	Cross Recess Flat Countersunk Head Machine Screw
CRPHMS	Cross Recess Pan Head Machine Screw
CRPHTFS	Cross Recess Pan Head Thread Forming
CRRHMS	Cross Recess Round Head Machine Screw
CRTHMS	Cross Recess Truss Head Machine Screw
CSNB	Countersunk Square Neck Bolt
FHMS	Flat Head Machine Screw
FTC	Full Thread Cap Screw
H	Hex Nut
HCLN	Hex Center Lock Nut
HFLCS	Hex Flange Lock Cap Screw
HFS	Hex Flange Screw
HFSLN	Hex Flange Serrated Lock Nut
HFSS	Hex Flange Serrated Screw
HHCS	Hex Head Cap Screw or Metric Bolt
HSBHCS	Hex Socket Button Head Cap Screw
HSFCHCS	Hex Socket Flat Countersunk Head Cap Screw
HSHCS	Hex Socket Head Cap Screw
HSSS	Hex Socket Head Screw
HTLN	Hex Top Lock Nut
HWHCS	Hex Washer Head Cap Screw

HWHMS	Hex Washer Head Machine Screw
HXBHCS	Hex Socket Button Head Cap Screw
J	Hex Jam Nut
JIC	37 Degree Tapered Thread
L	Helical Spring Lock Washer
LUG	Lug Bolt
NFC	National Fine Cap Screw
NPSM	National Pipe Straight Mechanical
NPTF	National Pipe Taper Fuel
P	Wide Plain Washer
PHMS	Pan Head Machine Screw
PLOW	Plow Bolt
RHMS	Round Head Machine Screw
RHSNB	Round Head Square Neck Bolt
SCREW LEVELING	Leveling Screw
SCREW THUMB	Thumb Screw
SCREW WELD	Weld Screw
SFCHMS	Slotted Flat Countersunk Head Machine Screw
SFHMS	Slotted Fillister Head Machine Screw
SP	Special
SP SCREW	Special Screw
SQHSS	Square Head Set Screw
SRHMS	Slotted Round Head Machine Screw
SSS	Socket Set Screw
STCS	Self Tapping Cap Screw
STHMS	Slotted Truss Head Machine Screw
WHEEL	Wheel Studs and Hub Long Bolts
WING	Wing Bolt

## Replacement Hardware

The **Hardware Legend** above lists hardware abbreviations used in the parts list. All bolts and nuts are Grade 5 unless otherwise noted. The use of improper grades of hardware can result in personal injury, damage to equipment, or loss of property.

## Part Number Service Coding

Within the parts list some part numbers are coded for revisions and interchangeability. See notations in revision column.

### Serial Numbers

Always use the serial and model number when ordering parts. Refer to the Operator's Manual for serial number plate location.

(S/N 20001+)                      Includes serial numbers 20001 and above (to the latest number)

(S/N 10001 to 20000)            Includes serial numbers between and including 10001 and 20000

(S/N 10000-)                      Includes serial numbers 10000 and below (to the earliest number)

## ***Kubota Touch-up Paints***

---

Applies to AP-SSP1572, AP-SSP1584, AP-SSP1596, AP-SSP2596

# **No diagram associated with this Parts List**

***Kubota Touch-up Paints***

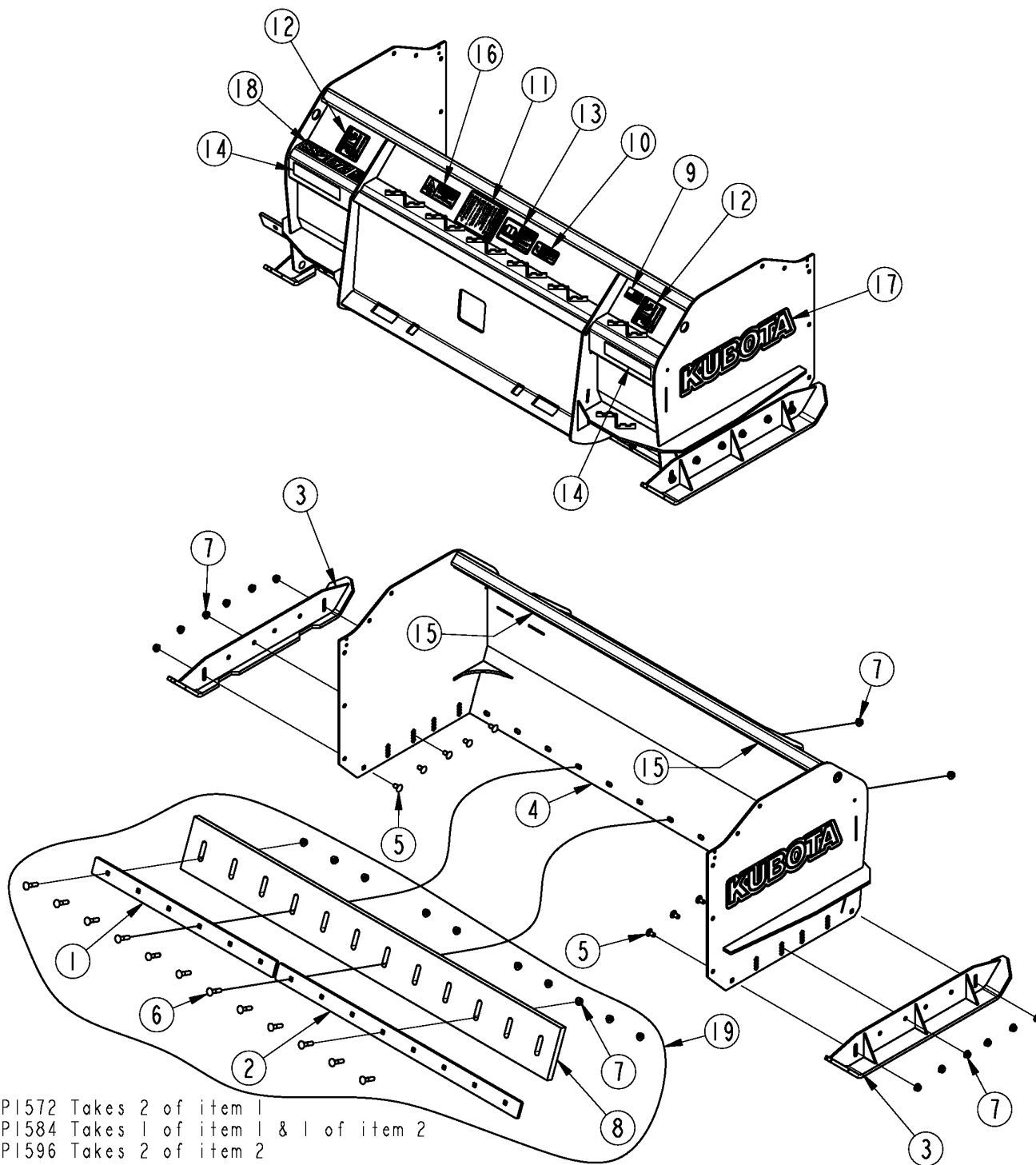
---

**Applies to AP-SSP1572, AP-SSP1584, AP-SSP1596, AP-SSP2596**

<b>Ref</b>	<b>Part No.</b>	<b>Part Description</b>	<b>Comments</b>	<b>Revision</b>
1.	821-070C	GLOSS BLACK SPRAY CAN	All Products	
2.	821-070CTU	GLOSS BLACK TOUCH-UP 5OZ		
3.	821-070CQT	GLOSS BLACK QUART		
4.	821-070CGL	GLOSS BLACK GALLON		

# SSP15 Complete Assembly & Labels

Applies to AP-SSP1572, AP-SSP1584, AP-SSP1596



SSP1572 Takes 2 of item 1  
 SSP1584 Takes 1 of item 1 & 1 of item 2  
 SSP1596 Takes 2 of item 2

37733

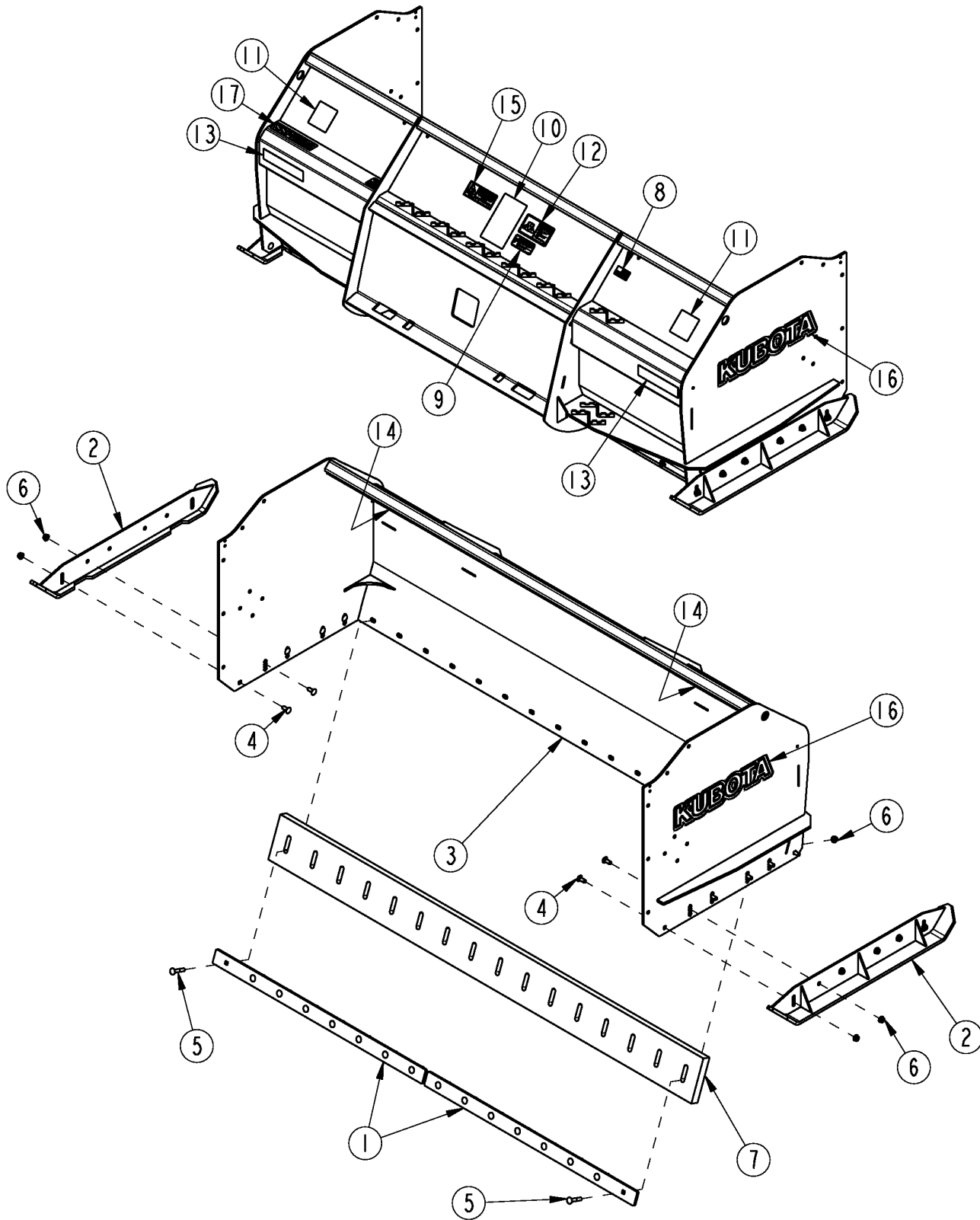


**SSP15 Complete Assembly & Labels****Applies to AP-SSP1572, AP-SSP1584, AP-SSP1596**

<b>Ref</b>	<b>Part No.</b>	<b>Part Description</b>	<b>Comments</b>	<b>Revision</b>
	Dwg 37733	Drawing Image Number		
1.	303-258D	RUBBER BLADE SUPPORT SHORT	SSP1572 2 Ea. & SSP1584 1 Ea.	
2.	303-259D	RUBBER BLADE SUPPORT LONG	SSP1596 2 Ea. & SSP1584 1 Ea.	
3.	303-341H	AR400 SNOW PUSHER SKID SHOE		
4.	303-342H	SNOW PUSHER 72"	SSP1572	
4.	303-343H	SNOW PUSHER 84"	SSP1584	
4.	303-344H	SNOW PUSHER 96"	SSP1596	
5.	802-183C	RHSNB 1/2-13X1 GR5		
6.	802-250C	RHSNB 1/2-13X2 1/4 GR5		
7.	803-037C	NUT HEX WHIZ 1/2-13 PLT		
8.	816-814C	SNOW BLADE 1 X 8 X 72"	SSP1572	
8.	816-815C	SNOW BLADE 1 X 8 X 84"	SSP1584	
8.	816-816C	SNOW BLADE 1 X 8 X 96"	SSP1596	
9.	818-190C	DECAL FLAG		
10.	838-102C	DECAL WARNING FALLING HAZARD		
11.	838-106C	DECAL WARNING CRUSH ROCK RAKE		
12.	838-112C	DECAL DANGER PINCHING		
13.	838-293C	DECAL WARNING READ MANUAL		
14.	838-614C	DECAL REFLECTOR RED 2X9		
15.	838-615C	DECAL REFLECTOR AMBER 2X9		
16.	858-215C	DECAL ROLLOVER CRUSHING HAZARD		
17.	858-400C	DECAL KUBOTA 22"		
18.	858-482C	DECAL SSP1572 WHITE	SSP1572	
18.	858-483C	DECAL SSP1584 WHITE	SSP1584	
18.	858-484C	DECAL SSP1596 WHITE	SSP1596	
19.	303-354A	1" RUBBER BLADE ASSY 72"	SSP1572	
19.	303-355A	1" RUBBER BLADE ASSY 84"	SSP1584	
19.	303-356A	1" RUBBER BLADE ASSY 96"	SSP1596	

# SSP25 Complete Assembly & Labels

Applies to AP-SSP2596



37734

**SSP25 Complete Assembly & Labels**

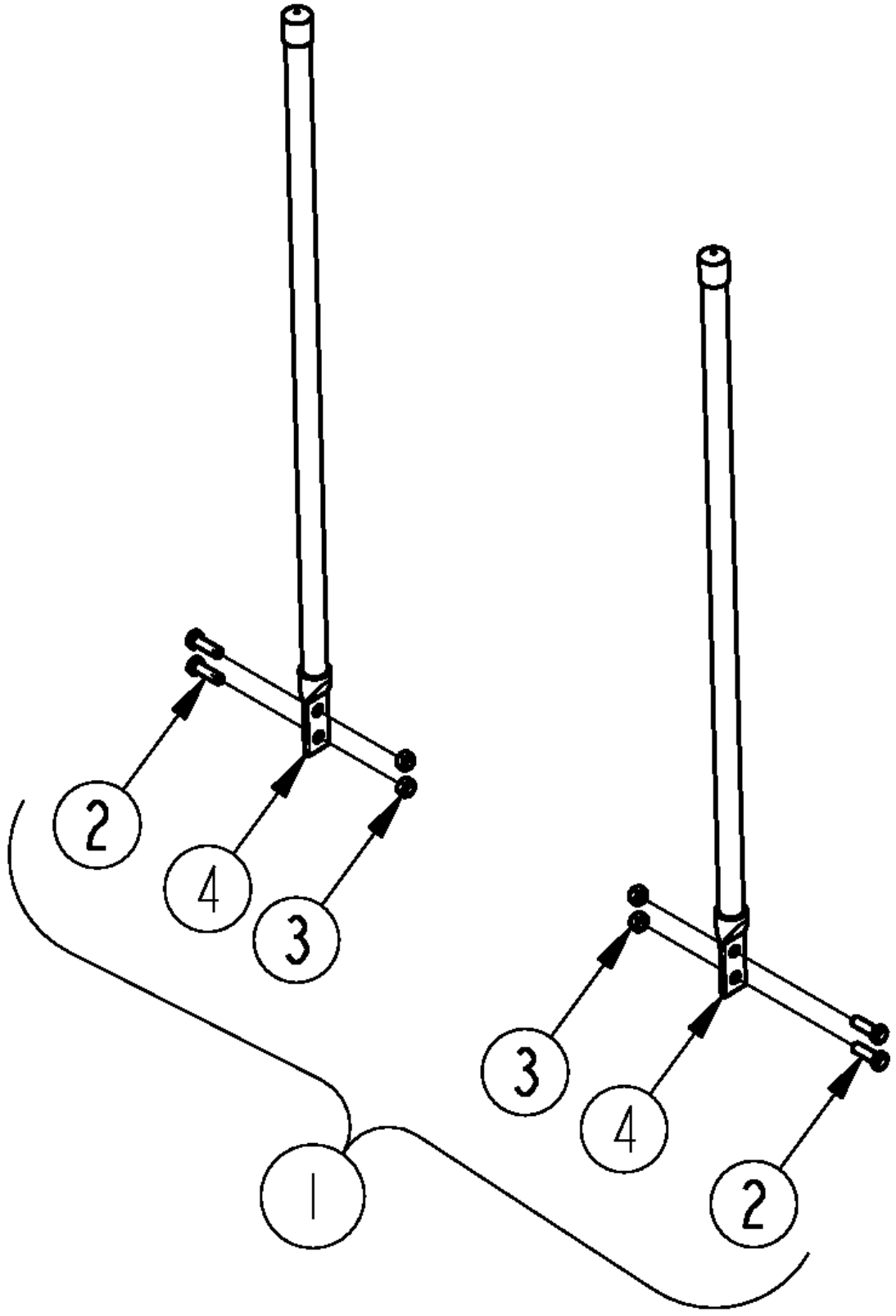
---

**Applies to AP-SSP2596**

<b>Ref</b>	<b>Part No.</b>	<b>Part Description</b>	<b>Comments</b>	<b>Revision</b>
	Dwg 37734	Drawing Image Number		
1.	303-259D	RUBBER BLADE SUPPORT LONG		
2.	303-329H	AR400 SNOW PUSHER SKID SHOE		
3.	303-331H	SNOW PUSHER 96"		
4.	802-214C	RHSNB 1/2-13X1 1/4 GR5		
5.	802-440C	RHSNB 1/2-13X2 3/4 GR5		
6.	803-037C	NUT HEX WHIZ 1/2-13 PLT		
7.	816-817C	SNOW BLADE 1.5 X 8 X 96"		
8.	818-190C	DECAL FLAG		
9.	838-102C	DECAL WARNING FALLING HAZARD		
10.	838-106C	DECAL WARNING CRUSH ROCK RAKE		
11.	838-112C	DECAL DANGER PINCHING		
12.	838-293C	DECAL WARNING READ MANUAL		
13.	838-614C	DECAL REFLECTOR RED 2X9		
14.	838-615C	DECAL REFLECTOR AMBER 2X9		
15.	858-215C	DECAL ROLLOVER CRUSHING HAZARD		
16.	858-400C	DECAL KUBOTA 22"		
17.	858-485C	DECAL SSP2596 WHITE		

# SSP15 Marker Edge

Applies to AP-SSP1572, AP-SSP1584, AP-SSP1596



26933

## SSP15 Marker Edge

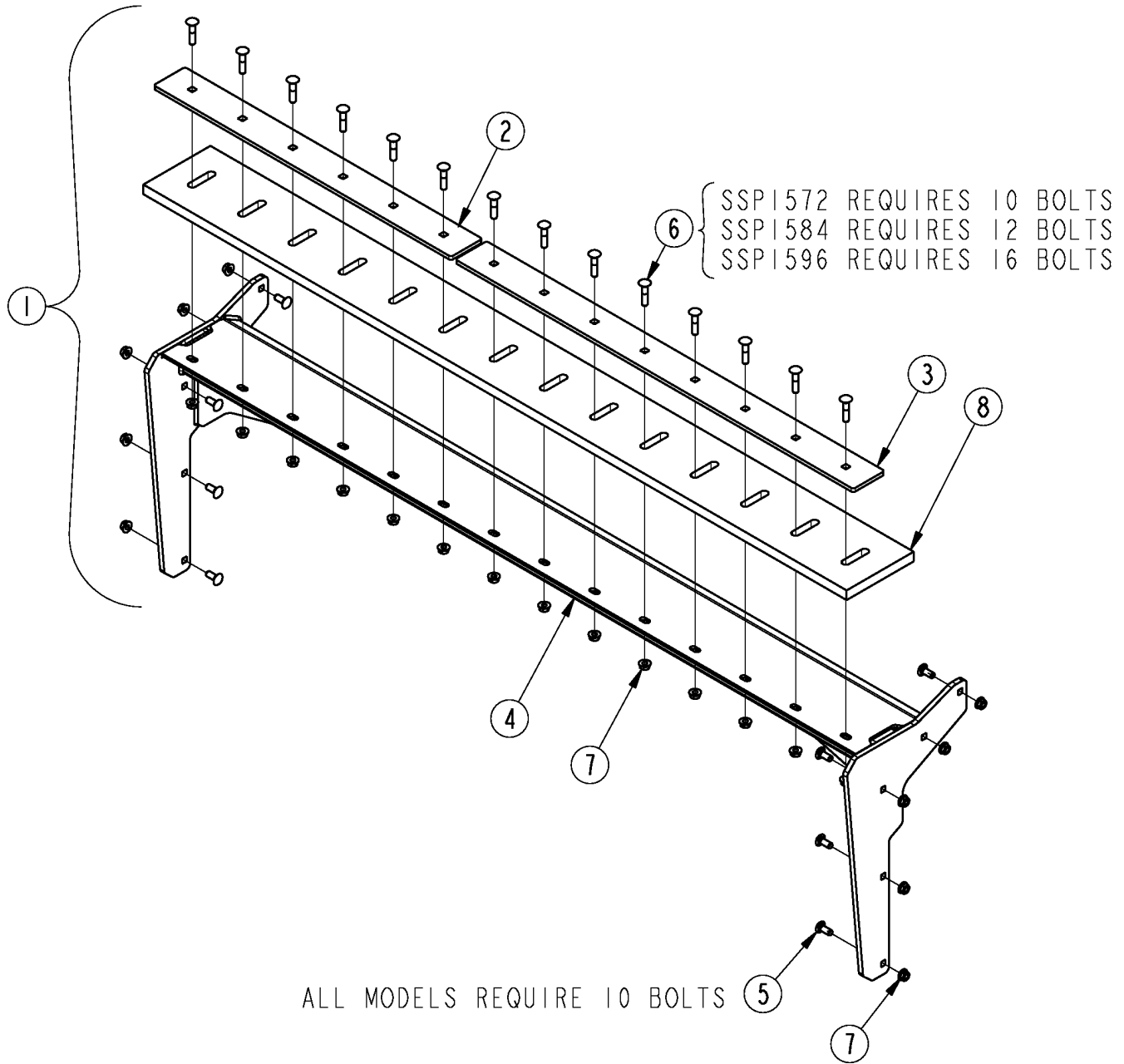
---

Applies to AP-SSP1572, AP-SSP1584, AP-SSP1596

Ref	Part No.	Part Description	Comments	Revision
	Dwg 26933	Drawing Image Number		
1.	323-026A	MARKER ASSY.		
2.	802-159C	HHCS 5/16-18X1 GR5		
3.	803-084C	NUT HEX NYLOCK 5/16-18 PLT		
4.	N/A	MARKER STICK		

# SSP15 Pull Back

Applies to AP-SSP1572, AP-SSP1584, AP-SSP1596



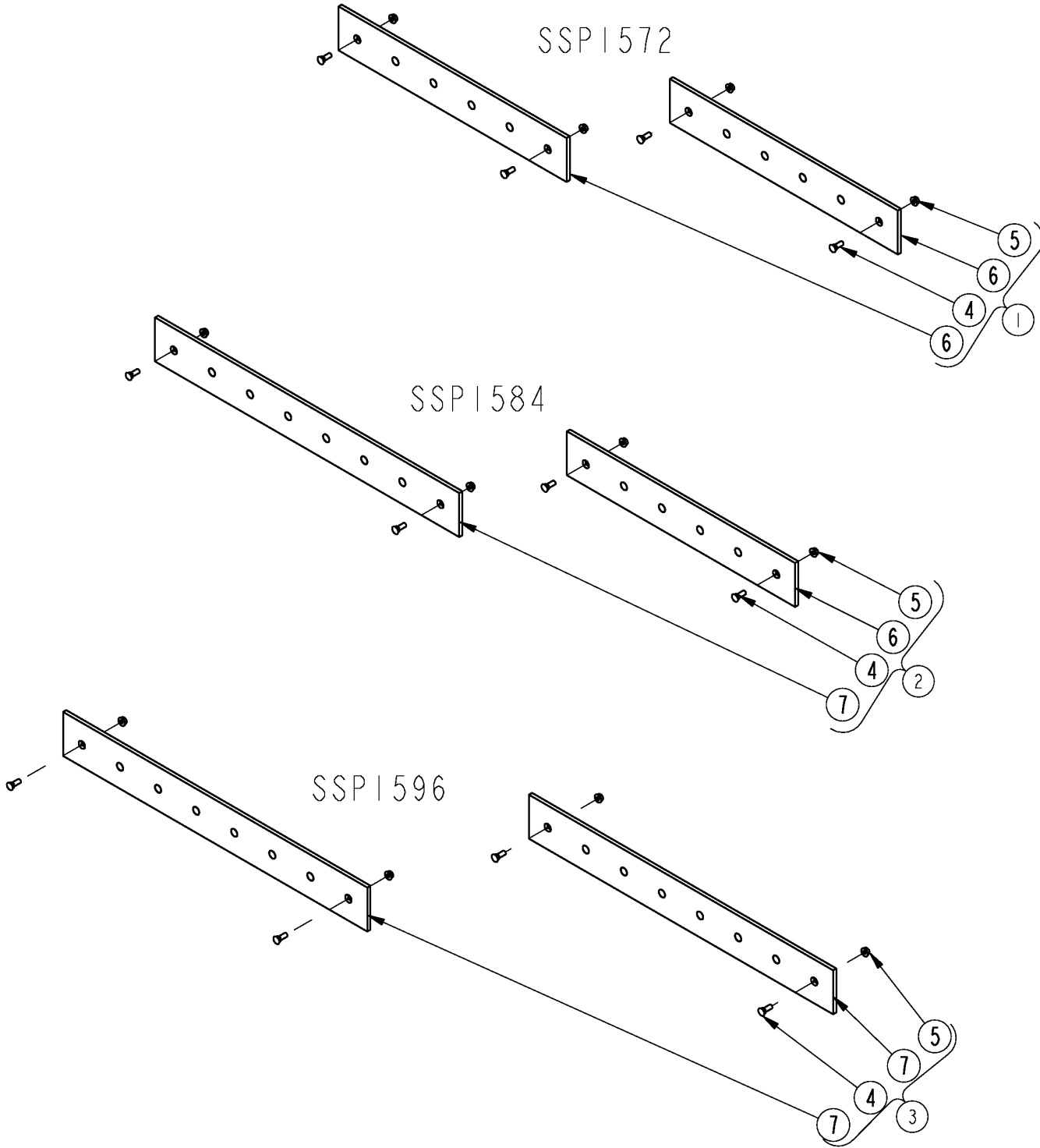
37398

**SSP15 Pull Back****Applies to AP-SSP1572, AP-SSP1584, AP-SSP1596**

Ref	Part No.	Part Description	Comments	Revision
	Dwg 37398	Drawing Image Number		
1.	303-380A	SSP1572 PULL BACK ASSEMBLY		
1.	303-379A	SSP1584 PULL BACK ASSEMBLY		
1.	303-378A	SSP1596 PULL BACK ASSEMBLY		
2.	303-306D	RUBBER BLADE SUPPORT SHORT PB	AP-SSP1572 & AP-SSP1584	
2.	303-307D	RUBBER BLADE SUPPORT LONG PB	AP-SSP1596	
3.	303-306D	RUBBER BLADE SUPPORT SHORT PB	AP-SSP1572	
3.	303-307D	RUBBER BLADE SUPPORT LONG PB	AP-SSP1584 & AP-SSP1596	
4.	303-374H	WMT, SSP1572 PULL BACK		
4.	303-373H	WMT, SSP1584 PULL BACK		
4.	303-372H	WMT, SSP1596 PULL BACK		
5.	802-214C	RHSNB 1/2-13X1 1/4 GR5		
6.	802-250C	RHSNB 1/2-13X2 1/4 GR5		
7.	803-037C	NUT HEX WHIZ 1/2-13 PLT		
8.	816-814C	SNOW BLADE 1 X 8 X 72"	AP-SSP1572	
8.	816-815C	SNOW BLADE 1 X 8 X 84"	AP-SSP1584	
8.	816-816C	SNOW BLADE 1 X 8 X 96"	AP-SSP1596	

# SSP15 Steel Blade Components

Applies to AP-SSP1572, AP-SSP1584, AP-SSP1596



37006



## **SSP15 Steel Blade Components**

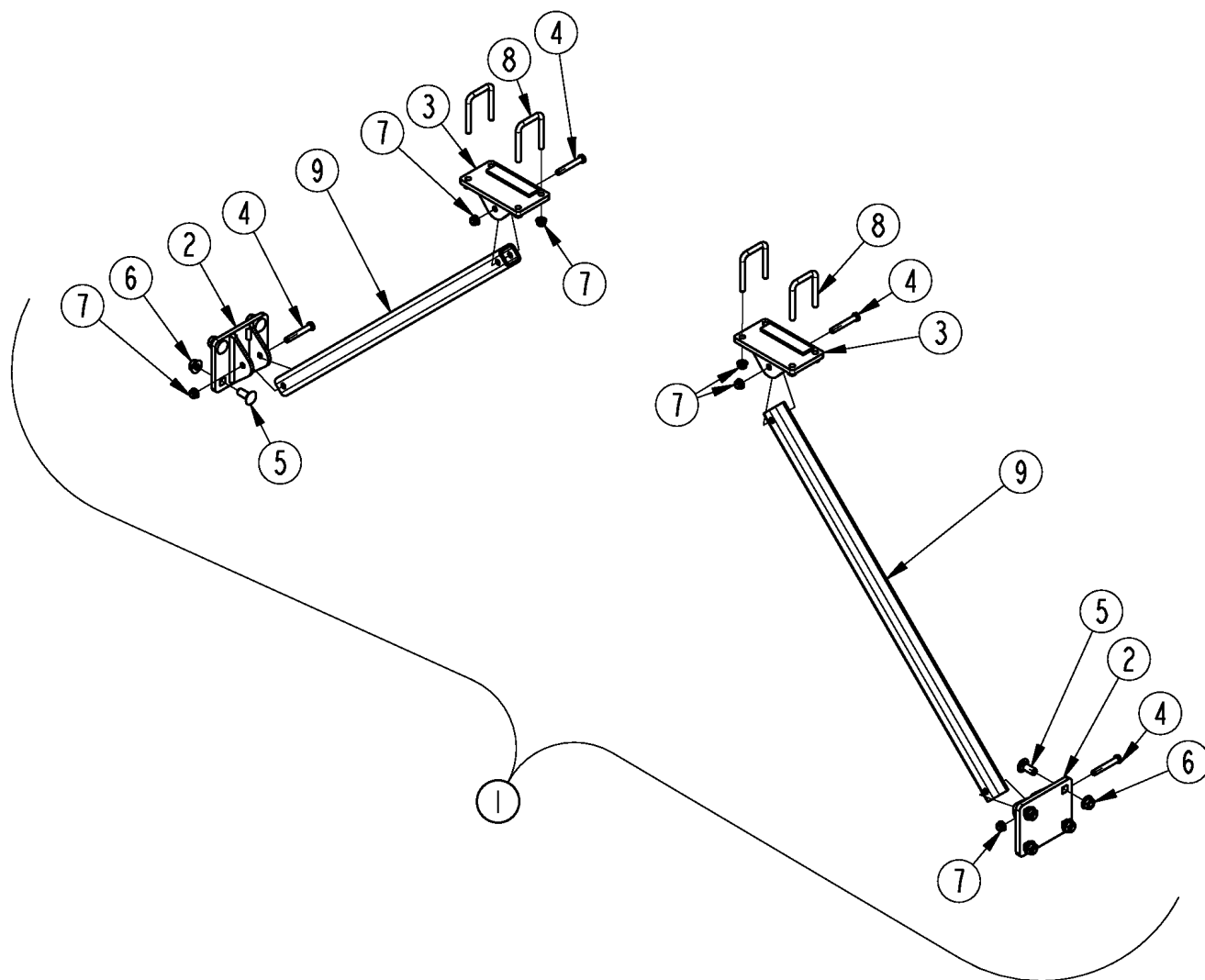
---

**Applies to AP-SSP1572, AP-SSP1584, AP-SSP1596**

<b>Ref</b>	<b>Part No.</b>	<b>Part Description</b>	<b>Comments</b>	<b>Revision</b>
	Dwg 37006	Drawing Image Number		
1.	303-349A	SSP STEEL BLADE ASSY 72"		
2.	303-350A	SSP STEEL BLADE ASSY 84"		
3.	303-351A	SSP STEEL BLADE ASSY 96"		
4.	802-354C	PLOW 1/2-13X1 1/2 GR5		
5.	803-037C	NUT HEX WHIZ 1/2-13 PLT		
6.	891-446C	STEEL CUTTING EDGE 3FT		
7.	891-447C	STEEL CUTTING EDGE 4FT		

# SSP25 End Panel Braces

Applies to AP-SSP2596



37938

**SSP25 End Panel Braces**

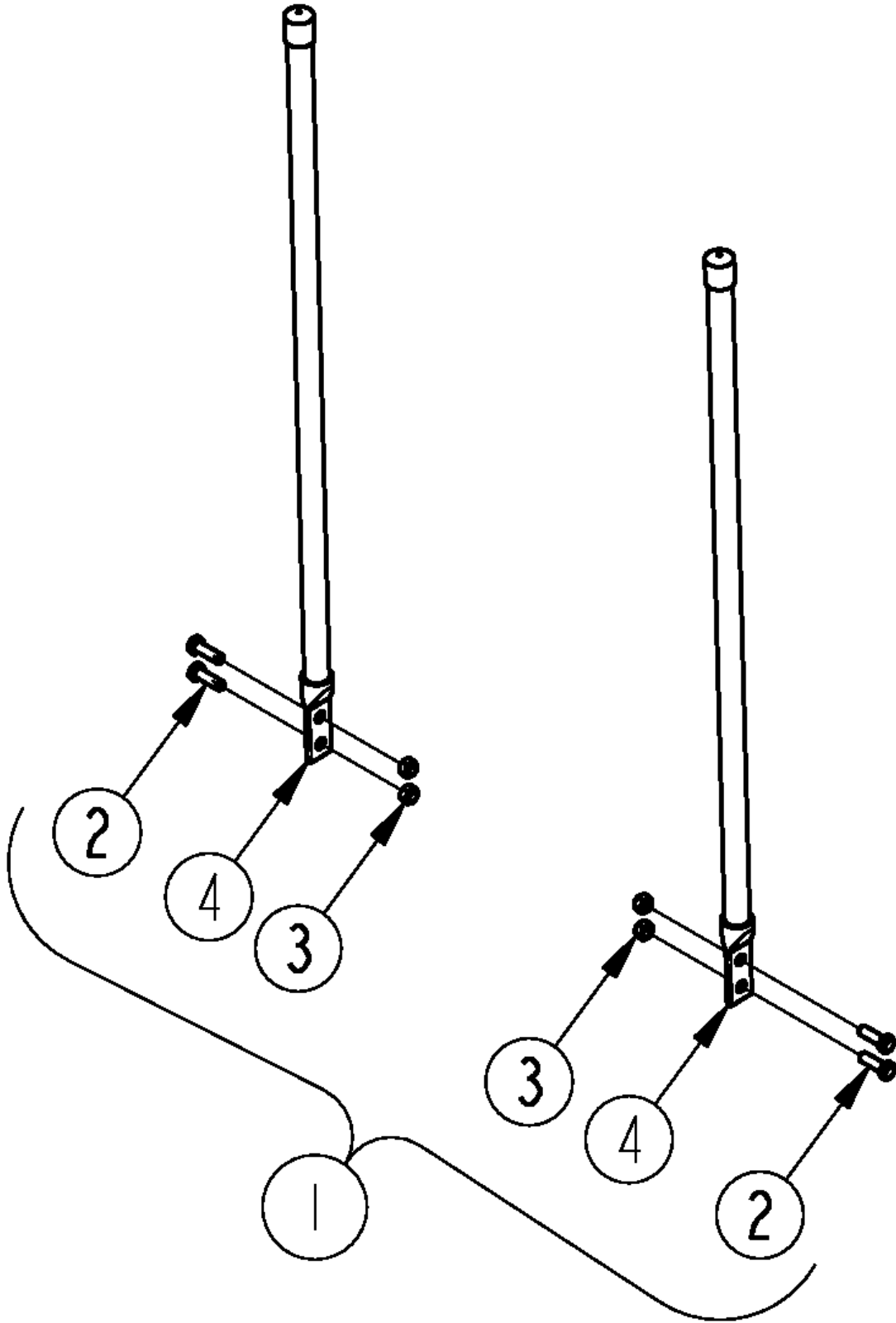
---

**Applies to AP-SSP2596**

<b>Ref</b>	<b>Part No.</b>	<b>Part Description</b>	<b>Comments</b>	<b>Revision</b>
	Dwg 37938	Drawing Image Number		
1.	303-408A	END PANEL BRACES		
2.	303-407H	END PANEL SUPPORT MOUNT		
3.	303-409H	TOP SUPPORT MOUNT		
4.	802-114C	HHCS 3/8-16X2 1/2 GR5		
5.	802-214C	RHSNB 1/2-13X1 1/4 GR5		
6.	803-037C	NUT HEX WHIZ 1/2-13 PLT		
7.	803-209C	NUT FLANGE LOCK 3/8-16 PLT		
8.	806-166C	U-BOLT 3/8-16 X 2 1/32 X 3		
9.	303-340D	BRACE TUBE		

# SSP25 Marker Edge

Applies to AP-SSP2596



26933

## **SSP25 Marker Edge**

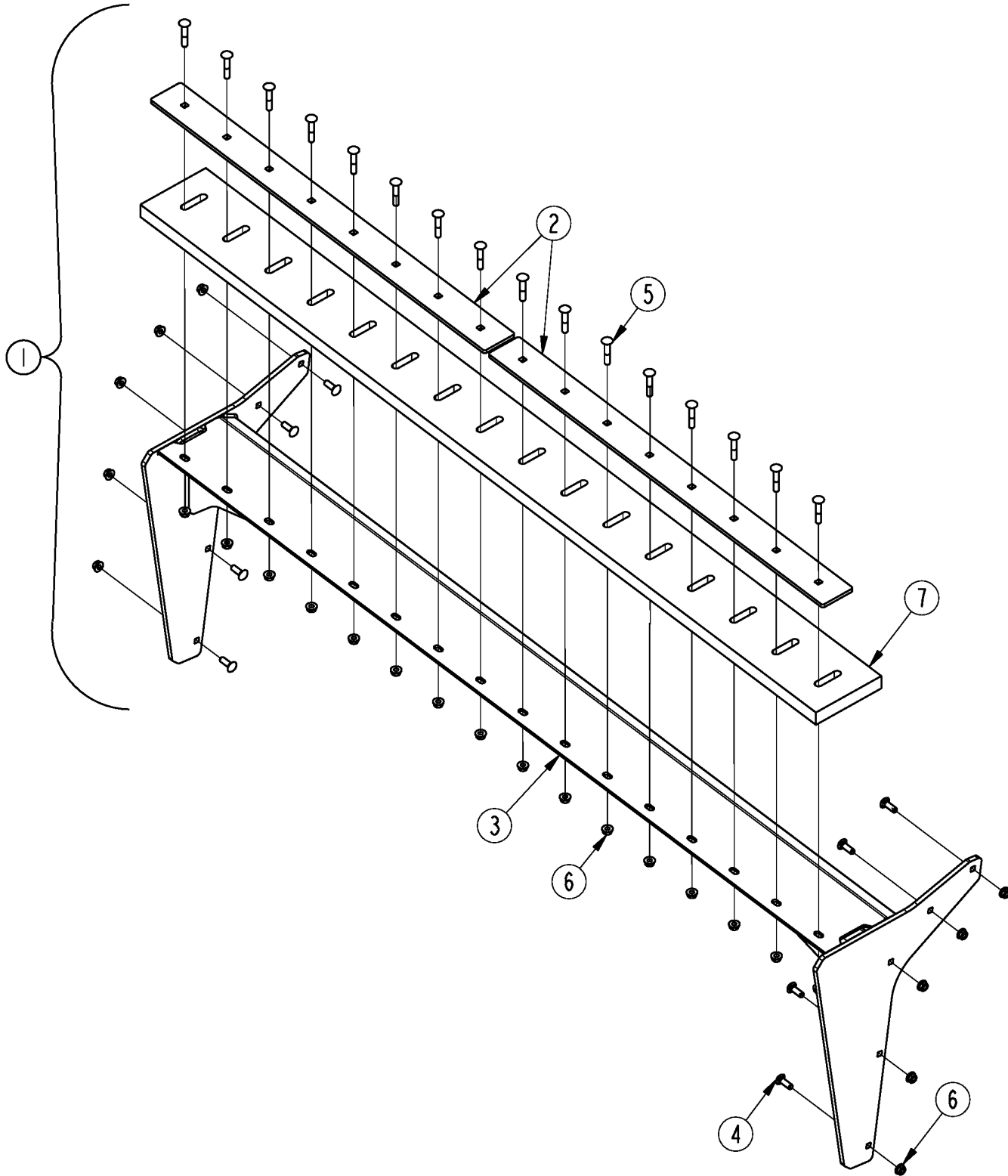
---

### **Applies to AP-SSP2596**

<b>Ref</b>	<b>Part No.</b>	<b>Part Description</b>	<b>Comments</b>	<b>Revision</b>
	Dwg 26933	Drawing Image Number		
1.	323-026A	MARKER ASSY.		
2.	802-159C	HHCS 5/16-18X1 GR5		
3.	803-084C	NUT HEX NYLOCK 5/16-18 PLT		
4.	N/A	MARKER STICK		

# SSP25 Pull Back

Applies to AP-SSP2596



37735

**SSP25 Pull Back**

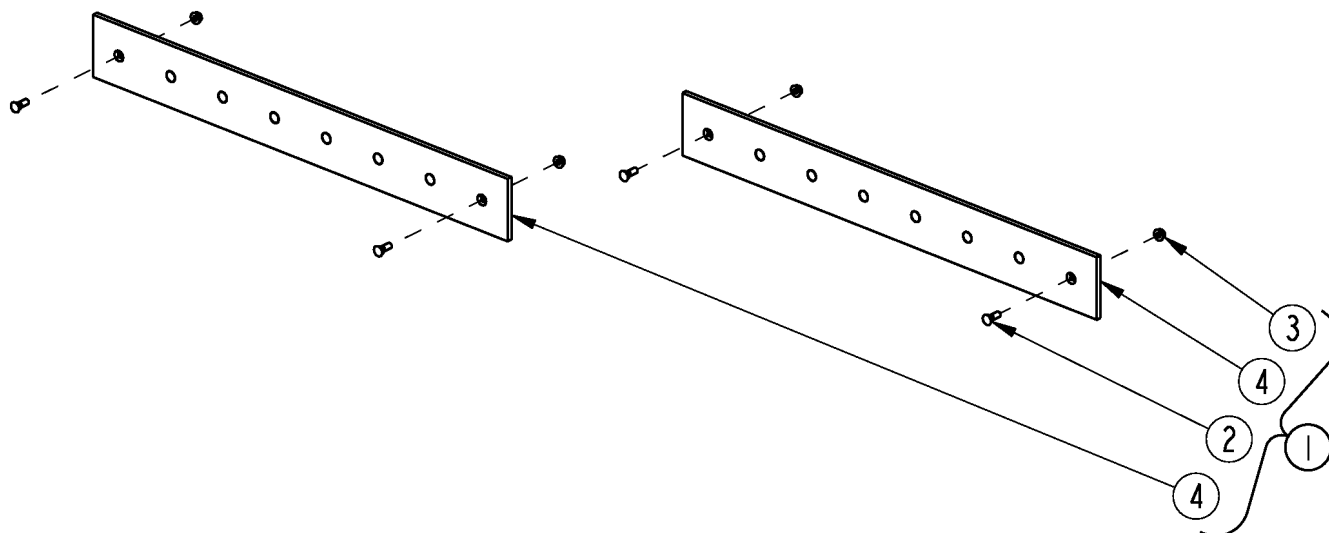
---

**Applies to AP-SSP2596**

<b>Ref</b>	<b>Part No.</b>	<b>Part Description</b>	<b>Comments</b>	<b>Revision</b>
	Dwg 37735	Drawing Image Number		
1.	303-386A	SSP2596 PULL BACK ASSEMBLY		
2.	303-307D	RUBBER BLADE SUPPORT LONG PB		
3.	303-382H	WMT, SSP2596 PULL BACK		
4.	802-106C	RHSNB 1/2-13X1 1/2 GR5		
5.	802-440C	RHSNB 1/2-13X2 3/4 GR5		
6.	803-037C	NUT HEX WHIZ 1/2-13 PLT		
7.	816-817C	SNOW BLADE 1.5 X 8 X 96"		

# SSP25 Steel Blade Components

Applies to AP-SSP2596



37736



## **SSP25 Steel Blade Components**

---

### **Applies to AP-SSP2596**

<b>Ref</b>	<b>Part No.</b>	<b>Part Description</b>	<b>Comments</b>	<b>Revision</b>
	Dwg 37736	Drawing Image Number		
1.	303-351A	SSP STEEL BLADE ASSY 96"		
2.	802-354C	PLOW 1/2-13X1 1/2 GR5		
3.	803-037C	NUT HEX WHIZ 1/2-13 PLT		
4.	891-447C	STEEL CUTTING EDGE 4FT		



# Part Number Index

The Part Number Index is a numeric index of all part numbers included in this manual. The index shows what page(s) the part is used on.

<u>Part Number</u>	<u>Page</u>	<u>Part Number</u>	<u>Page</u>
303-258D	9	Dwg 37735	23
303-259D	9, 11	Dwg 37736	25
303-306D	15	Dwg 37938	19
303-307D	15, 23	N/A	13, 21
303-329H	11		
303-331H	11		
303-340D	19		
303-341H	9		
303-342H	9		
303-343H	9		
303-344H	9		
303-349A	17		
303-350A	17		
303-351A	17, 25		
303-354A	9		
303-355A	9		
303-356A	9		
303-372H	15		
303-373H	15		
303-374H	15		
303-378A	15		
303-379A	15		
303-380A	15		
303-382H	23		
303-386A	23		
303-407H	19		
303-408A	19		
303-409H	19		
323-026A	13, 21		
802-106C	23		
802-114C	19		
802-159C	13, 21		
802-183C	9		
802-214C	11, 15, 19		
802-250C	9, 15		
802-354C	17, 25		
802-440C	11, 23		
803-037C	9, 11, 15, 17, 19, 23, 25		
803-084C	13, 21		
803-209C	19		
806-166C	19		
816-814C	9, 15		
816-815C	9, 15		
816-816C	9, 15		
816-817C	11, 23		
818-190C	9, 11		
821-070C	7		
821-070CGL	7		
821-070CQT	7		
821-070CTU	7		
838-102C	9, 11		
838-106C	9, 11		
838-112C	9, 11		
838-293C	9, 11		
838-614C	9, 11		
838-615C	9, 11		
858-215C	9, 11		
858-400C	9, 11		
858-482C	9		
858-483C	9		
858-484C	9		
858-485C	11		
891-446C	17		
891-447C	17, 25		
Dwg 26933	13, 21		
Dwg 37006	17		
Dwg 37398	15		
Dwg 37733	9		
Dwg 37734	11		

***This Page Intentionally Left Blank***



**KUBOTA TRACTOR CORPORATION**

1000 Kubota Drive, Grapevine, TX 76051

Telephone: (817) 756-1171

Western Division: 1175 S. Guild Ave., Lodi, CA 95240  
Telephone: (209) 334-9910

Central Division: 14855 FAA Blvd., Fort Worth, TX 76155  
Telephone: (817) 571-0900

Northern Division: 6300 at One Kubota Way, Groveport, OH 43125  
Telephone: (614) 835-1100

Southeast Division: 1025 Northbrook Parkway, Suwanee, GA 30024  
Telephone: (770) 995-8855

[www.kubota.com](http://www.kubota.com)

---