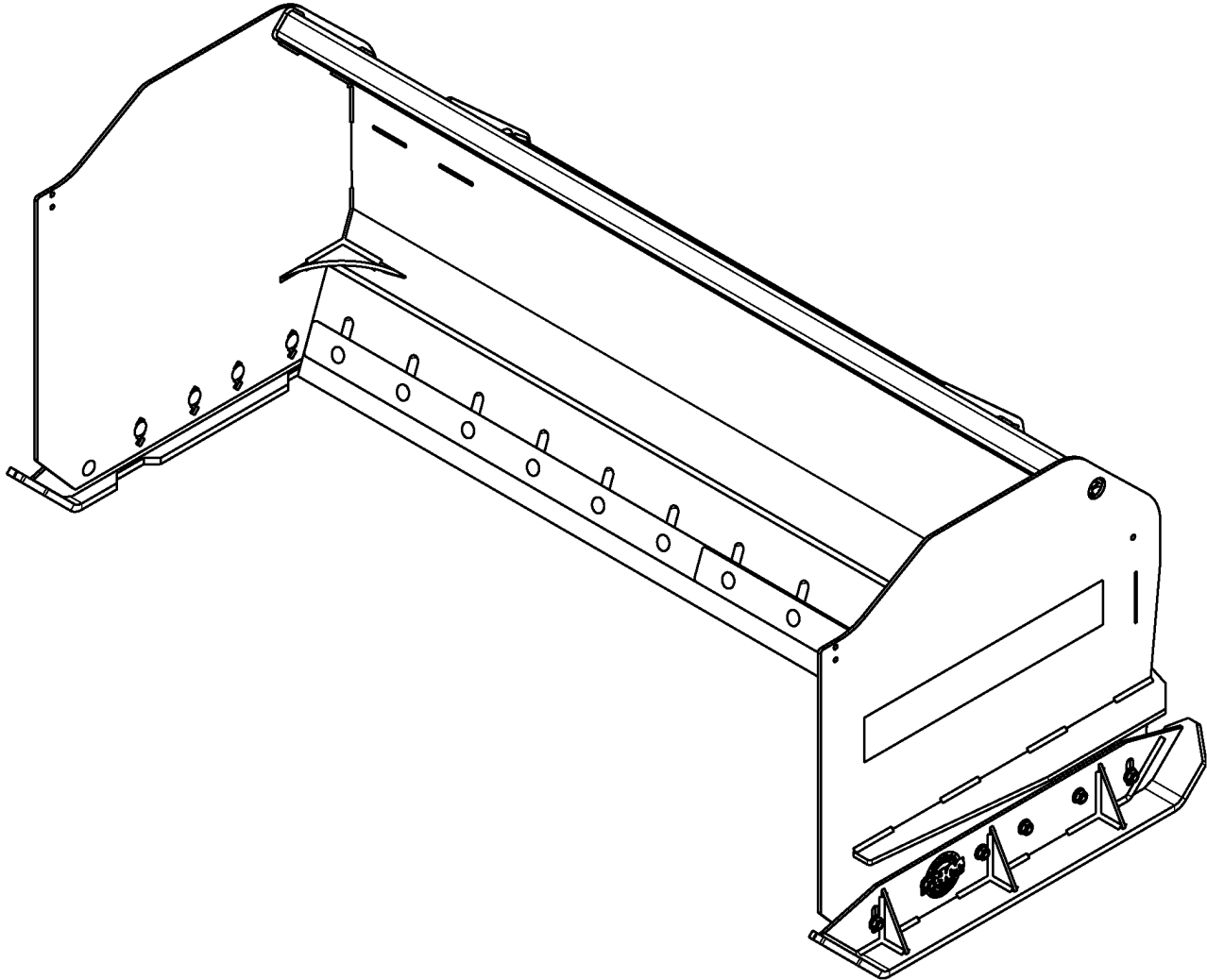


Skid Snow Pushers

SSP15 & SSP25 Series



37009

303-348P **Parts Manual**



Read the Operator's Manual entirely. When you see this symbol, the subsequent instructions and warnings are serious - follow without exception. Your life and the lives of others depend on it!

© Copyright 2019 Printed 02/04/19

Cover photo may show optional equipment not supplied with standard unit.





Table of Contents

Section 1: Introduction.....4
Using This Manual.....4
Manual Replacement Information.....4
Manual Revisions.....4
Touch-up Paint.....4
Hardware Legend.....5
Replacement Hardware.....5
Serial Numbers.....5
Part Number Service Coding.....5

SSP15 SERIES

Section 2: Complete Assembly.....6
Land Pride Touch-up Paints.....6
SSP15 Complete Assembly & Labels.....8
Section 3: Options & Accessories.....10
28" Orange Marker Assembly.....10
SSP15 Pull Back.....12
SSP15 Steel Blade Components.....14

SSP25 SERIES

Section 2: Complete Assembly.....16
Land Pride Touch-up Paints.....16
SSP25 Complete Assembly & Labels.....18
Section 3: Options & Accessories.....20
28" Orange Marker Assembly.....20
SSP25 End Panel Braces.....22
SSP25 Pull Back.....24
SSP25 Steel Blade Components.....26

Part Number Index.....28

© Copyright 2019. All rights reserved.

Land Pride provides this publication "as is" without warranty of any kind, either expressed or implied. While every precaution has been taken in the preparation of this manual, Land Pride assumes no responsibility for errors or omissions. Neither is any liability assumed for damages resulting from the use of the information contained herein. Land Pride reserves the right to revise and improve its products as it sees fit. This publication describes the state of this product at the time of its publication, and may not reflect the product in the future. The illustrations in this manual are not intended for safe and proper assembly or disassembly of equipment. The illustrations are intended for ordering parts only.

Land Pride is registered trademark.

All other brands and product names are trademarks or registered trademarks of their respective holders.

Printed in the United States of America.



Alphabetized Table of Contents

SSP15 SERIES

2
28" Orange Marker Assembly.....10

L
Land Pride Touch-up Paints.....6

S
SSP15 Complete Assembly & Labels.....8
SSP15 Pull Back.....12
SSP15 Steel Blade Components.....14

SSP25 SERIES

2
28" Orange Marker Assembly.....20

L
Land Pride Touch-up Paints.....16

S
SSP25 Complete Assembly & Labels.....18
SSP25 End Panel Braces.....22
SSP25 Pull Back.....24
SSP25 Steel Blade Components.....26

General Information

Using This Manual

This manual is divided into sections. The first section contains General Information. The remaining sections divide the machine into segments (i.e. Frames, Drives, Hydraulics, etc.) which illustrate and list all parts. A Parts Number Index is located at the back of the book.

The Land Pride parts in this manual are specially designed for this machine and should be replaced with Land Pride parts only.

The information in this manual is current at time of printing. Some parts may change to assure top performance.

Right-hand and left-hand as used in this manual are determined by facing the direction the machine will travel while in use.

Below is an example of two facing pages from a parts manual. Familiarize yourself with the type of information contained on these pages.

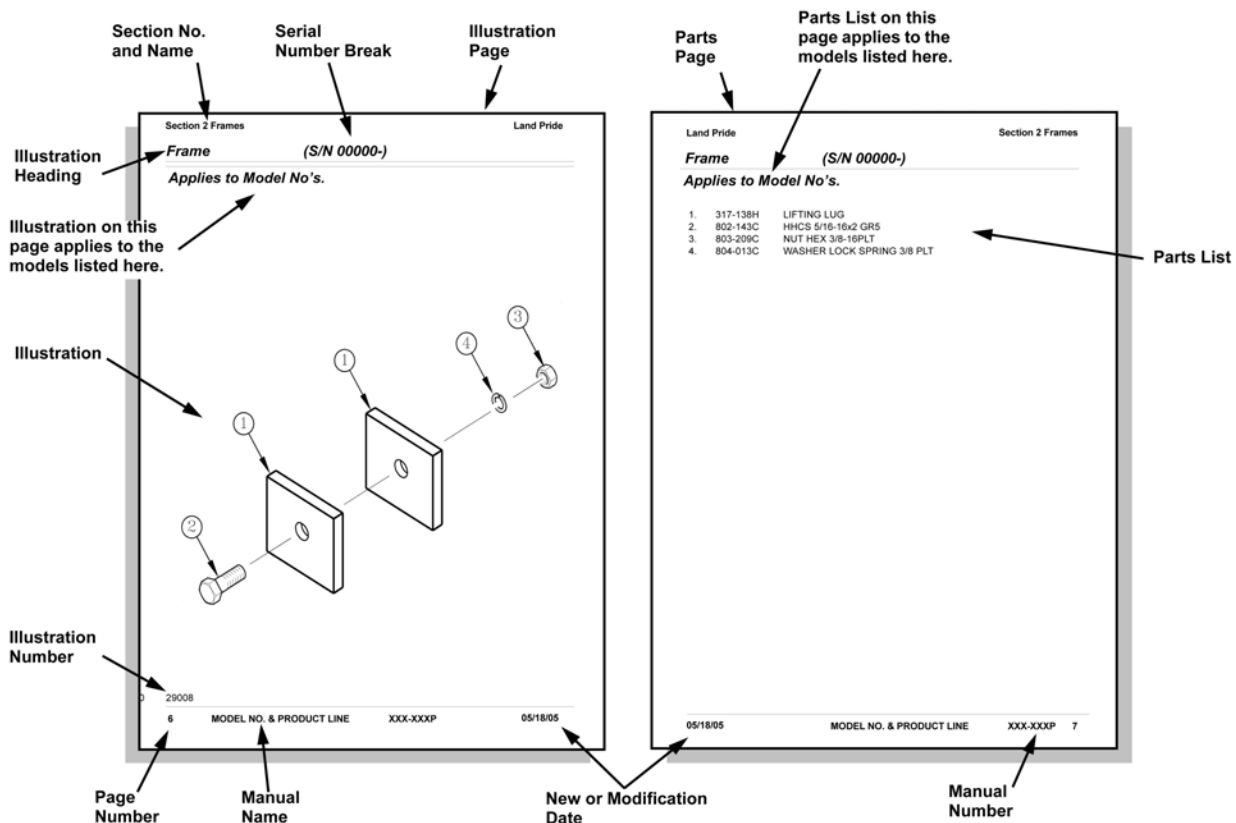
Manual Replacement Information

Replacement manuals are available. Refer to our website at www.landpride.com or e-mail us at lit@landpride.com for additional information. Our website continues to provide the most up-to-date manuals available.

Touch-up Paint

Repaint parts where paint is worn or scratched to prevent rust. Aerosol cans and touch-up bottles with brush applicator are available through your local dealer. Also available are quart and gallon size paints. Add QT or GL to end of the Aerosol P/N.

Land Pride color descriptions and part numbers are listed on the "Land Pride Touch-up Paints" page in the "Decals" section of this book. Color options vary by product.



General Information

Hardware Legend

AR	As Required
BLADE	Blade Bolt
C	Cap Screw
CP	Cotter Pin
CPHSSS	Cup Point Hex Socket Set Screw
CPSHSS	Cup Point Square Head Set Screw
CPSQHSS	Cup Point Square Head Set Screw
CRFCHMS3	Cross Recess Flat Countersunk Head Machine Screw
CRPHMS	Cross Recess Pan Head Machine Screw
CRPHTF	Cross Recess Pan Head Thread Forming
CRRHMS	Cross Recess Round Head Machine Screw
CRTHMS	Cross Recess Truss Head Machine Screw
CSNB	Countersunk Square Neck Bolt
FHMS	Flat Head Machine Screw
FTC	Full Thread Cap Screw
H	Hex Nut
HCLN	Hex Center Lock Nut
HFLCS	Hex Flange Lock Cap Screw
HFS	Hex Flange Screw
HFSLN	Hex Flange Serrated Lock Nut
HFSS	Hex Flange Serrated Screw
HHCS	Hex Head Cap Screw or Metric Bolt
HSBHCS	Hex Socket Button Head Cap Screw
HSFCHCS	Hex Socket Flat Countersunk Head Cap Screw
HSHCS	Hex Socket Head Cap Screw
HSSS	Hex Socket Head Screw
HTLN	Hex Top Lock Nut
HWHCS	Hex Washer Head Cap Screw

HWHMS	Hex Washer Head Machine Screw
HXBHCS	Hex Socket Button Head Cap Screw
J	Hex Jam Nut
JIC	37 Degree Tapered Thread
L	Helical Spring Lock Washer
LUG	Lug Bolt
NFC	National Fine Cap Screw
NPSM	National Pipe Straight Mechanical
NPTF	National Pipe Taper Fuel
P	Wide Plain Washer
PHMS	Pan Head Machine Screw
PLOW	Plow Bolt
RHMS	Round Head Machine Screw
RHSNB	Round Head Square Neck Bolt
SCREW LEVELING	Leveling Screw
SCREW THUMB	Thumb Screw
SCREW WELD	Weld Screw
SFCHMS	Slotted Flat Countersunk Head Machine Screw
SFHMS	Slotted Fillister Head Machine Screw
SP	Special
SP SCREW	Special Screw
SQHSS	Square Head Set Screw
SRHMS	Slotted Round Head Machine Screw
SSS	Socket Set Screw
STCS	Self Tapping Cap Screw
STHMS	Slotted Truss Head Machine Screw
WHEEL	Wheel Studs and Hub Long Bolts
WING	Wing Bolt

Replacement Hardware

The **Hardware Legend** above lists hardware abbreviations used in the parts list. All bolts and nuts are Grade 5 unless otherwise noted. The use of improper grades of hardware can result in personal injury, damage to equipment, or loss of property.

Colored Replacement Parts

Land Pride offers replacement parts in factory standard colors and also on select models in Green, Orange, Red and Blue. Because of the variety of colors available, special attention must be given to the part number to prevent ordering the wrong replacement part.

A suffix number corresponding to one of the colors below must be added at the end of Land Pride's part number when ordering a replacement part with that color.

81 Green 83 Red
82 Orange 84 Blue

For example, if you are ordering a replacement part with part number 555-555C and the part you need is red, then add the suffix 83 to the end of the number to make the part number read 555-555C83. Parts ordered without a suffix number will be supplied in factory standard colors.

Black Replacement Parts

Some parts are factory standard black and some must be special ordered black. If your part is special ordered black, a second part number with the additional suffix number 85 on the end will be available. In this situation you must order that part with the suffix number for it to be black. Parts that are factory standard black will not have the suffix number.

Part Number Service Coding

Within the parts list some part numbers are coded for revisions and interchangeability. See notations in revision column.

Serial Numbers

Always use the serial and model number when ordering parts. Refer to the Operator's Manual for serial number plate location.

- (S/N 20001+) Includes serial numbers 20001 and above (to the latest number)
- (S/N 10001 to 20000) Includes serial numbers between and including 10001 and 20000
- (S/N 10000-) Includes serial numbers 10000 and below (to the earliest number)

Land Pride Touch-up Paints

Applies to SSP1572, SSP1584, SSP1596

No diagram associated with this Parts List

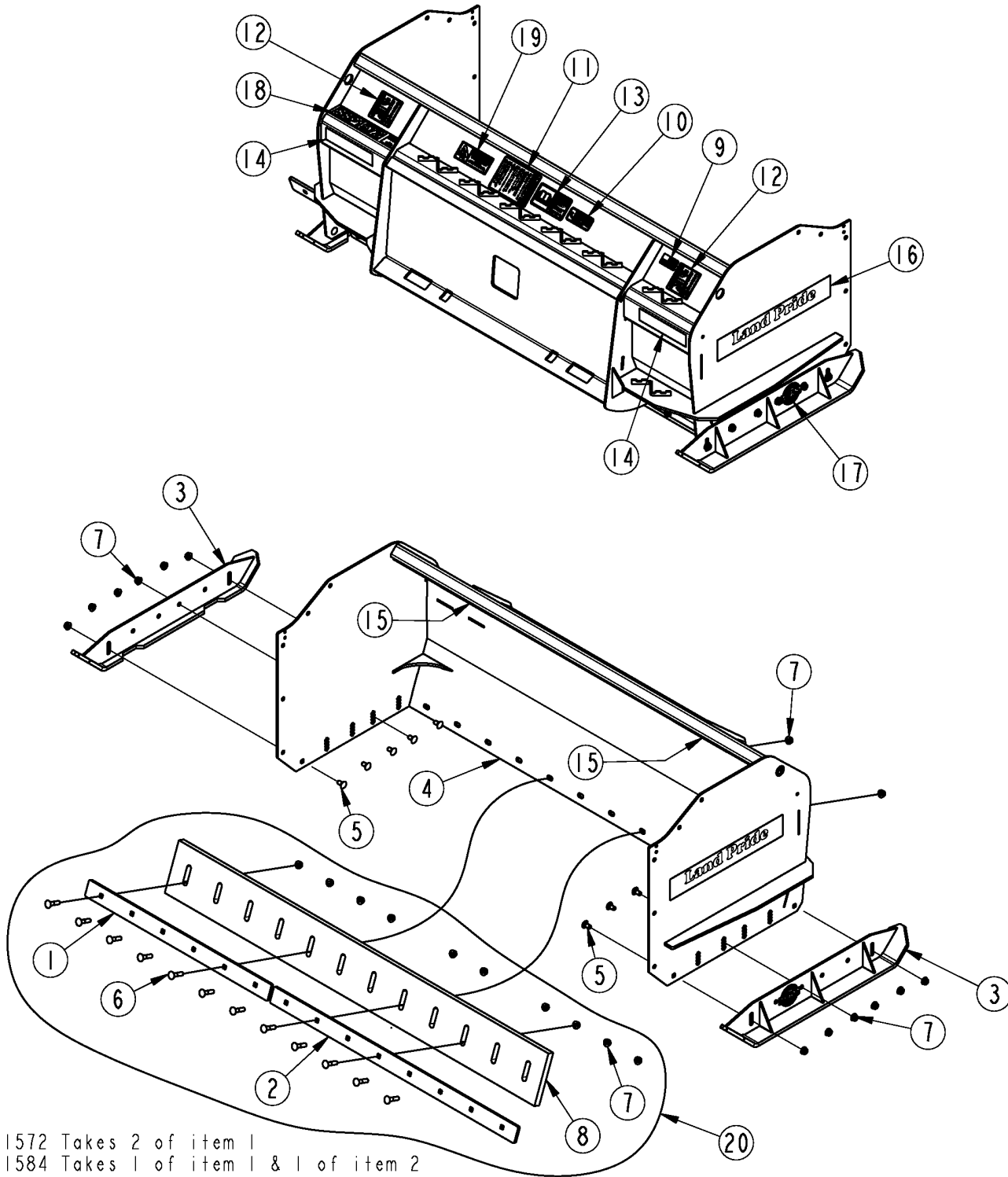
Land Pride Touch-up Paints

Applies to SSP1572, SSP1584, SSP1596

Ref	Part No.	Part Description	Comments	Revision
1.	821-011C	LP BEIGE SPRAY CAN	Spray can	
1.	821-011CTU	LP BEIGE TOUCH-UP 5OZ	Touch-up bottle with brush	
1.	821-011CQT	LP BEIGE QUART	Quart can	
1.	821-011CGL	LP BEIGE GALLON	Gallon can	
2.	821-070C	GLOSS BLACK SPRAY CAN	Spray can	
2.	821-070CTU	GLOSS BLACK TOUCH-UP 5OZ	Touch-up bottle with brush	
2.	821-070CQT	GLOSS BLACK QUART	Quart can	
2.	821-070CGL	GLOSS BLACK GALLON	Gallon can	
3.	821-054C	MED. RED SPRAY TRCK/CTR	Spray can	
3.	821-054CTU	MED RED TOUCH-UP 5OZ	Touch-up bottle with brush	
3.	821-054CQT	MED RED QUART	Quart can	
3.	821-054CGL	MED RED GALLON	Gallon can	
4.	821-058C	GREEN SPRAY CUTTERS	Spray can	
4.	821-058CTU	GREEN TOUCH-UP 5OZ	Touch-up bottle with brush	
4.	821-058CQT	GREEN QUART	Quart can	
4.	821-058CGL	GREEN GALLON	Gallon can	
5.	821-066C	ORANGE SPRAY CAN	Spray can	
5.	821-066CTU	ORANGE TOUCH-UP 5OZ	Touch-up bottle with brush	
5.	821-066CQT	ORANGE QUART	Quart can	
5.	821-066CGL	ORANGE GALLON	Gallon can	
6.	821-067C	BLUE SPRAY CAN	Spray can	
6.	821-067CTU	BLUE TOUCH-UP 5OZ	Touch-up bottle with brush	
6.	821-067CQT	BLUE QUART	Quart can	
6.	821-067CGL	BLUE GALLON	Gallon can	
7.	821-080C	PAINT ALUMINUM/ZINC SPRAY CAN	Spray can	
7.	821-080CTU	PAINT ALUMINUM/ZINC TOUCH UP	Touch-up bottle with brush	
7.	821-080CQT	PAINT ALUMINUM/ZINC QUART	Quart can	
7.	821-080CGL	PAINT ALUMINUM/ZINC GALLON	Gallon can	

SSP15 Complete Assembly & Labels

Applies to SSP1572, SSP1584, SSP1596



SSP1572 Takes 2 of item 1
SSP1584 Takes 1 of item 1 & 1 of item 2
SSP1596 Takes 2 of item 2

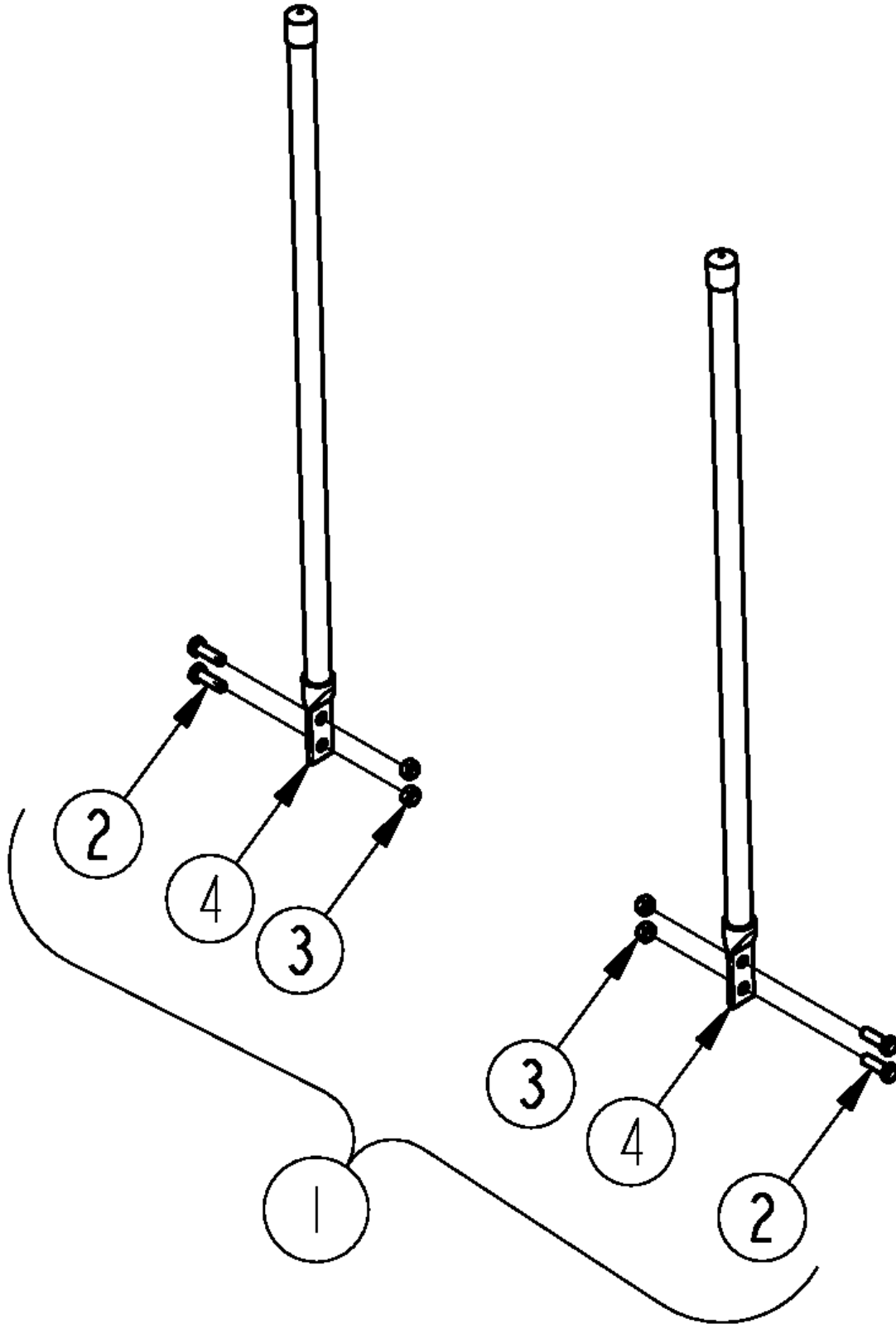
37005

SSP15 Complete Assembly & Labels**Applies to SSP1572, SSP1584, SSP1596**

Ref	Part No.	Part Description	Comments	Revision
	Dwg 37005	Drawing Image Number		
1.	303-258D	RUBBER BLADE SUPPORT SHORT	See note on drawing	
2.	303-259D	RUBBER BLADE SUPPORT LONG	See note on drawing	
3.	303-341H	AR400 SNOW PUSHER SKID SHOE		
4.	303-342H	SNOW PUSHER 72"	SSP1572	
4.	303-343H	SNOW PUSHER 84"	SSP1584	
4.	303-344H	SNOW PUSHER 96"	SSP1596	
5.	802-183C	RHSNB 1/2-13X1 GR5		
6.	802-250C	RHSNB 1/2-13X2 1/4 GR5		
7.	803-037C	NUT HEX WHIZ 1/2-13 PLT		
8.	816-814C	SNOW BLADE 1 X 8 X 72"	SSP1572	
8.	816-815C	SNOW BLADE 1 X 8 X 84"	SSP1584	
8.	816-816C	SNOW BLADE 1 X 8 X 96"	SSP1596	
9.	818-190C	DECAL FLAG		
10.	838-102C	DECAL WARNING FALLING HAZARD		
11.	838-106C	DECAL WARNING CRUSH ROCK RAKE		
12.	838-112C	DECAL DANGER PINCHING		
13.	838-293C	DECAL WARNING READ MANUAL		
14.	838-614C	DECAL REFLECTOR RED 2X9		
15.	838-615C	DECAL REFLECTOR AMBER 2X9		
16.	838-966C	DECAL LANDPRIDE 22" BROWN/GOLD		
17.	858-108C	DECAL, AR400 STEEL		
18.	858-185C	DECAL, SSP1572	SSP1572	
18.	858-186C	DECAL, SSP1584	SSP1584	
18.	858-187C	DECAL, SSP1596	SSP1596	
19.	858-215C	DECAL ROLLOVER CRUSHING HAZARD		
20.	303-354A	1" RUBBER BLADE ASSY 72"	SSP1572	
20.	303-355A	1" RUBBER BLADE ASSY 84"	SSP1584	
20.	303-356A	1" RUBBER BLADE ASSY 96"	SSP1596	

28" Orange Marker Assembly

Applies to SSP1572, SSP1584, SSP1596



26933

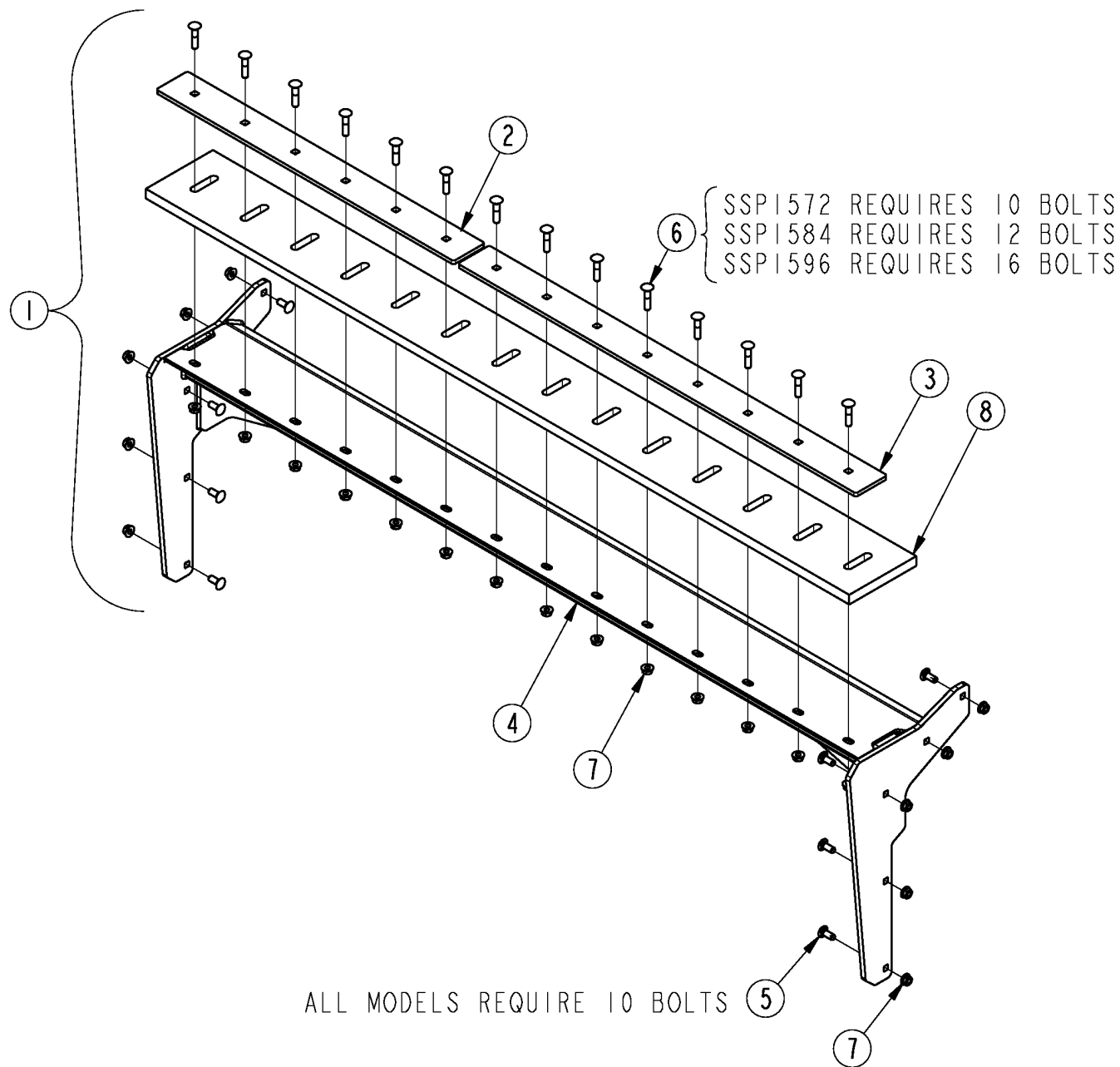
28" Orange Marker Assembly

Applies to SSP1572, SSP1584, SSP1596

Ref	Part No.	Part Description	Comments	Revision
	Dwg 26933	Drawing Image Number		
1.	323-026A	MARKER ASSY.		
2.	802-159C	HHCS 5/16-18X1 GR5		
3.	803-084C	NUT HEX NYLOCK 5/16-18 PLT		
4.	N/A	MARKER STICK		

SSP15 Pull Back

Applies to SSP1572, SSP1584, SSP1596

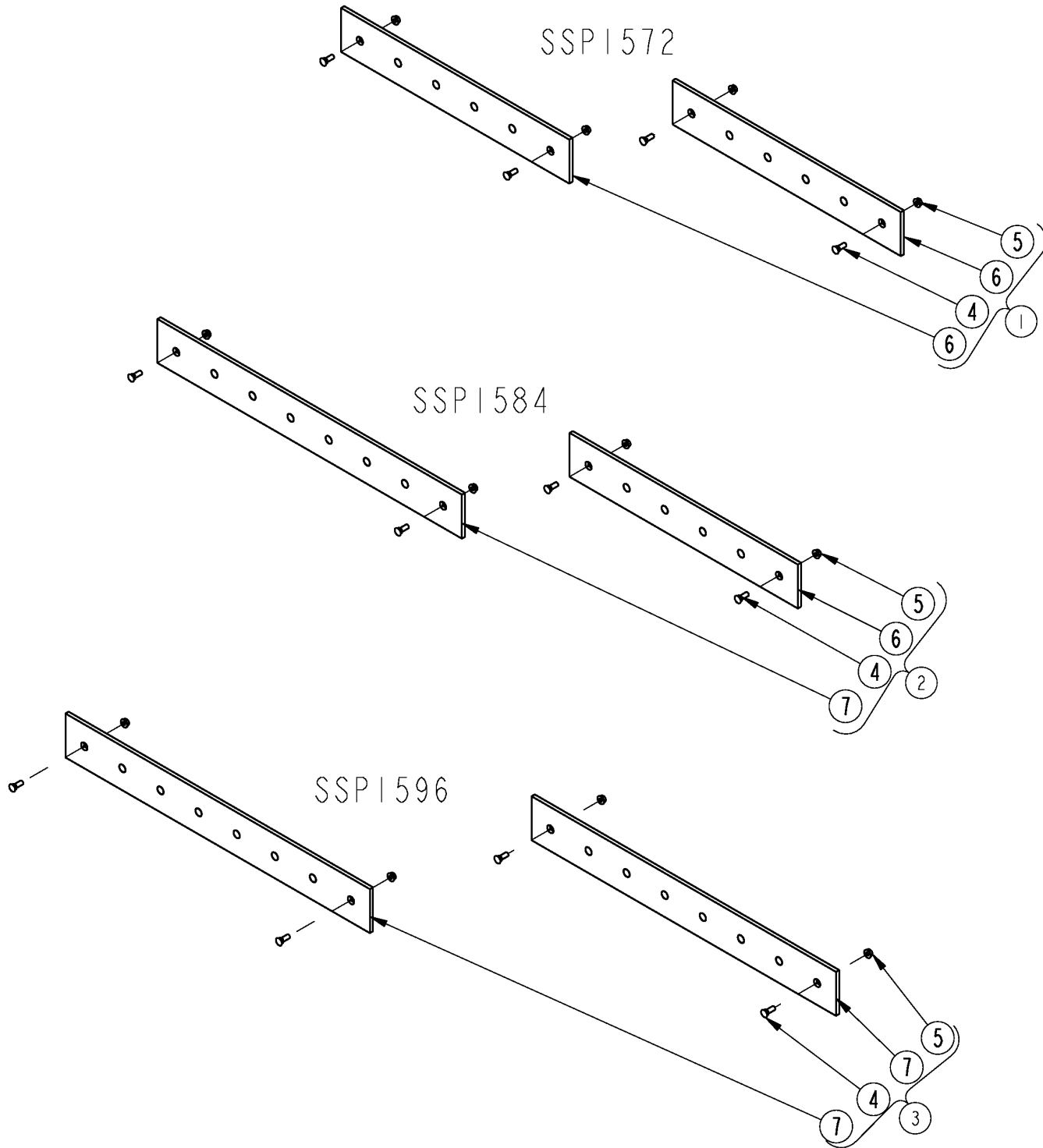


SSP15 Pull Back**Applies to SSP1572, SSP1584, SSP1596**

Ref	Part No.	Part Description	Comments	Revision
	dwg37398	Drawing Image Number		
1.	303-380A	SSP1572 PULL BACK ASSEMBLY		
1.	303-379A	SSP1584 PULL BACK ASSEMBLY		
1.	303-378A	SSP1596 PULL BACK ASSEMBLY		
2.	303-306D	RUBBER BLADE SUPPORT SHORT PB	SSP1572 & SSP1584	
2.	303-307D	RUBBER BLADE SUPPORT LONG PB	SSP1596	
3.	303-306D	RUBBER BLADE SUPPORT SHORT PB	SSP1572	
3.	303-307D	RUBBER BLADE SUPPORT LONG PB	SSP1584 & SSP1596	
4.	303-374H	WMT, SSP1572 PULL BACK		
4.	303-373H	WMT, SSP1584 PULL BACK		
4.	303-372H	WMT, SSP1596 PULL BACK		
5.	802-214C	RHSNB 1/2-13X1 1/4 GR5		
6.	802-250C	RHSNB 1/2-13X2 1/4 GR5		
7.	803-037C	NUT HEX WHIZ 1/2-13 PLT		
8.	816-814C	SNOW BLADE 1 X 8 X 72"	SSP1572	
8.	816-815C	SNOW BLADE 1 X 8 X 84"	SSP1584	
8.	816-816C	SNOW BLADE 1 X 8 X 96"	SSP1596	

SSP15 Steel Blade Components

Applies to SSP1572, SSP1584, SSP1596



37006

SSP15 Steel Blade Components

Applies to SSP1572, SSP1584, SSP1596

Ref	Part No.	Part Description	Comments	Revision
	dwg37006	Drawing Image Number		
1.	303-349A	SSP STEEL BLADE ASSY 72"		
2.	303-350A	SSP STEEL BLADE ASSY 84"		
3.	303-351A	SSP STEEL BLADE ASSY 96"		
4.	802-354C	PLOW 1/2-13X1 1/2 GR5		
5.	803-037C	NUT HEX WHIZ 1/2-13 PLT		
6.	891-446C	STEEL CUTTING EDGE 3FT		
7.	891-447C	STEEL CUTTING EDGE 4FT		

Land Pride Touch-up Paints

Applies to SSP2510, SSP2512, SSP2596

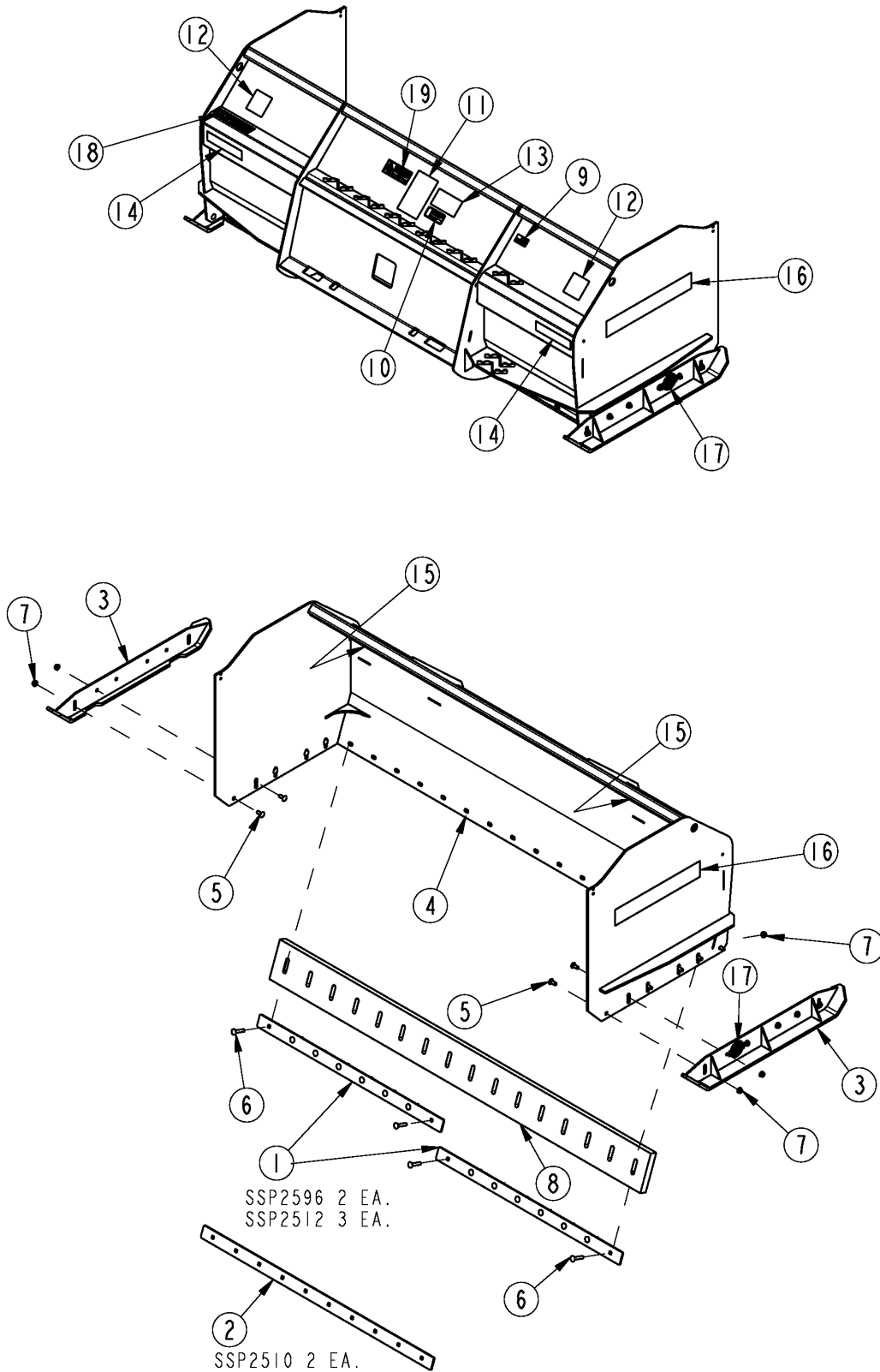
No diagram associated with this Parts List

Land Pride Touch-up Paints**Applies to SSP2510, SSP2512, SSP2596**

Ref	Part No.	Part Description	Comments	Revision
1.	821-011C	LP BEIGE SPRAY CAN	Spray can	
1.	821-011CTU	LP BEIGE TOUCH-UP 5OZ	Touch-up bottle with brush	
1.	821-011CQT	LP BEIGE QUART	Quart can	
1.	821-011CGL	LP BEIGE GALLON	Gallon can	
2.	821-070C	GLOSS BLACK SPRAY CAN	Spray can	
2.	821-070CTU	GLOSS BLACK TOUCH-UP 5OZ	Touch-up bottle with brush	
2.	821-070CQT	GLOSS BLACK QUART	Quart can	
2.	821-070CGL	GLOSS BLACK GALLON	Gallon can	
3.	821-054C	MED. RED SPRAY TRCK/CTR	Spray can	
3.	821-054CTU	MED RED TOUCH-UP 5OZ	Touch-up bottle with brush	
3.	821-054CQT	MED RED QUART	Quart can	
3.	821-054CGL	MED RED GALLON	Gallon can	
4.	821-058C	GREEN SPRAY CUTTERS	Spray can	
4.	821-058CTU	GREEN TOUCH-UP 5OZ	Touch-up bottle with brush	
4.	821-058CQT	GREEN QUART	Quart can	
4.	821-058CGL	GREEN GALLON	Gallon can	
5.	821-066C	ORANGE SPRAY CAN	Spray can	
5.	821-066CTU	ORANGE TOUCH-UP 5OZ	Touch-up bottle with brush	
5.	821-066CQT	ORANGE QUART	Quart can	
5.	821-066CGL	ORANGE GALLON	Gallon can	
6.	821-067C	BLUE SPRAY CAN	Spray can	
6.	821-067CTU	BLUE TOUCH-UP 5OZ	Touch-up bottle with brush	
6.	821-067CQT	BLUE QUART	Quart can	
6.	821-067CGL	BLUE GALLON	Gallon can	
7.	821-080C	PAINT ALUMINUM/ZINC SPRAY CAN	Spray can	
7.	821-080CTU	PAINT ALUMINUM/ZINC TOUCH UP	Touch-up bottle with brush	
7.	821-080CQT	PAINT ALUMINUM/ZINC QUART	Quart can	
7.	821-080CGL	PAINT ALUMINUM/ZINC GALLON	Gallon can	

SSP25 Complete Assembly & Labels

Applies to SSP2510, SSP2512, SSP2596



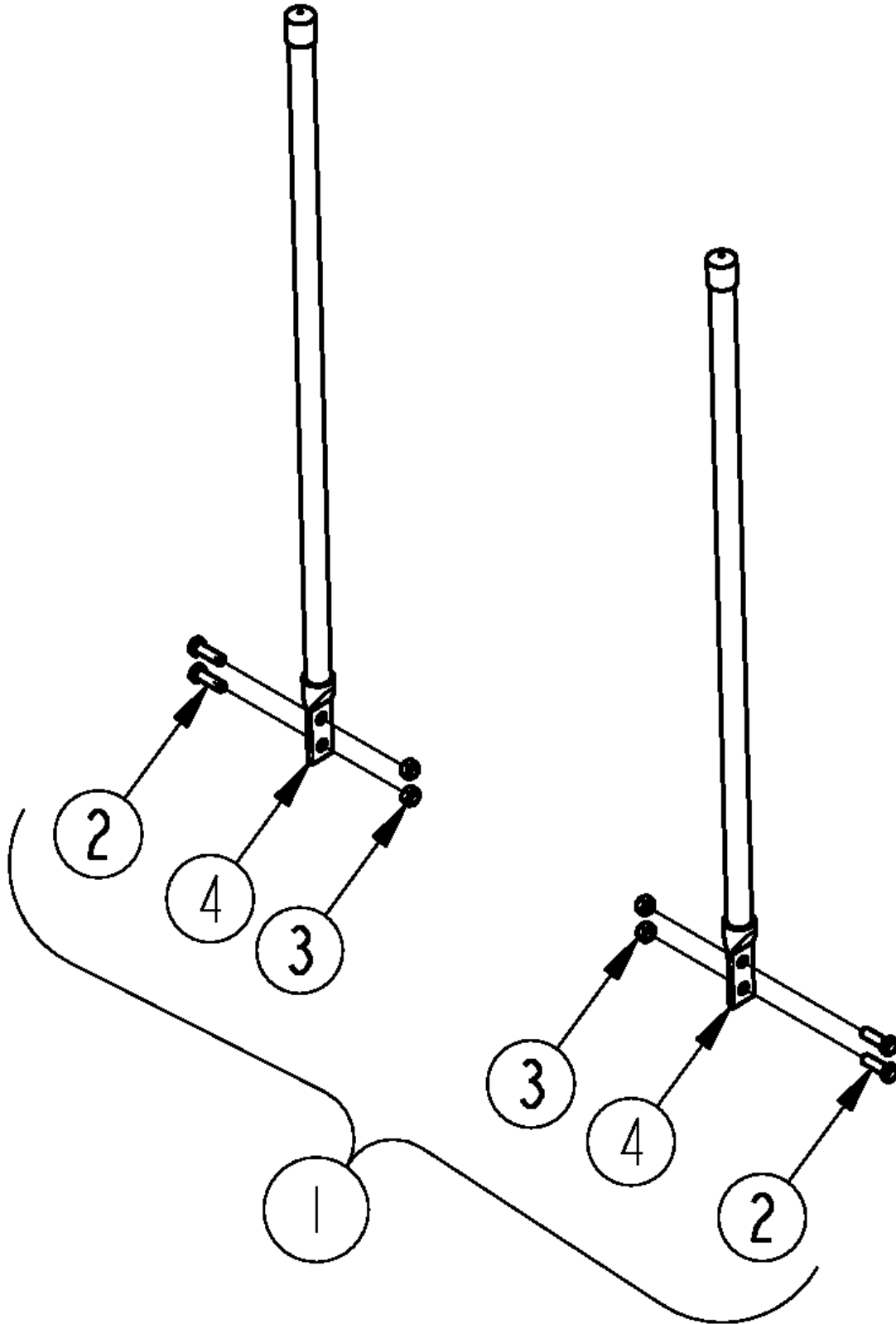
37007

SSP25 Complete Assembly & Labels**Applies to SSP2510, SSP2512, SSP2596**

Ref	Part No.	Part Description	Comments	Revision
	dwg37007	Drawing Image Number		
1.	303-259D	RUBBER BLADE SUPPORT LONG		
2.	303-265D	RUBBER BLADE SUPPORT 60"		
3.	303-329H	AR400 SNOW PUSHER SKID SHOE		
4.	303-331H	SNOW PUSHER 96"		
4.	303-332H	SNOW PUSHER 10'		
4.	303-333H	SNOW PUSHER 12'		
5.	802-214C	RHSNB 1/2-13X1 1/4 GR5		
6.	802-440C	RHSNB 1/2-13X2 3/4 GR5		
7.	803-037C	NUT HEX WHIZ 1/2-13 PLT		
8.	816-817C	SNOW BLADE 1.5 X 8 X 96"		
8.	816-818C	SNOW BLADE 1.5 X 8 X 10'		
8.	816-819C	SNOW BLADE 1.5 X 8 X 12'		
9.	818-190C	DECAL FLAG		
10.	838-102C	DECAL WARNING FALLING HAZARD		
11.	838-106C	DECAL WARNING CRUSH ROCK RAKE		
12.	838-112C	DECAL DANGER PINCHING		
13.	838-293C	DECAL WARNING READ MANUAL		
14.	838-614C	DECAL REFLECTOR RED 2X9		
15.	838-615C	DECAL REFLECTOR AMBER 2X9		
16.	838-966C	DECAL LANDPRIDE 22" BROWN/GOLD		
17.	858-108C	DECAL, AR400 STEEL		
18.	858-171C	DECAL, SSP2596		
18.	858-172C	DECAL, SSP2510		
18.	858-173C	DECAL, SSP2512		
19.	858-215C	DECAL ROLLOVER CRUSHING HAZARD		

28" Orange Marker Assembly

Applies to SSP2510, SSP2596



26933

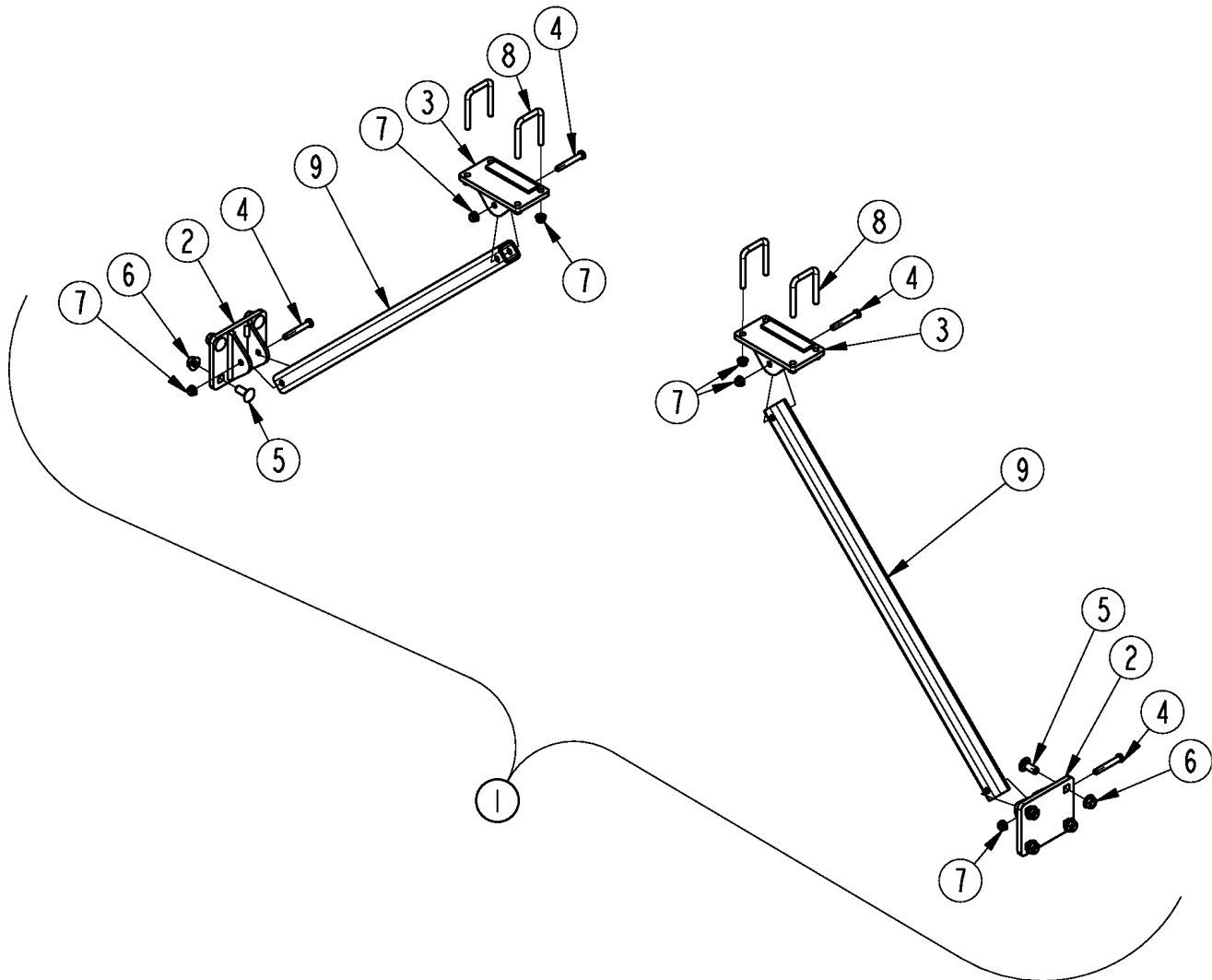
28" Orange Marker Assembly

Applies to SSP2510, SSP2596

Ref	Part No.	Part Description	Comments	Revision
	Dwg 26933	Drawing Image Number		
1.	323-026A	MARKER ASSY.		
2.	802-159C	HHCS 5/16-18X1 GR5		
3.	803-084C	NUT HEX NYLOCK 5/16-18 PLT		
4.	N/A	MARKER STICK		

SSP25 End Panel Braces

Applies to SSP2510, SSP2512, SSP2596



37938

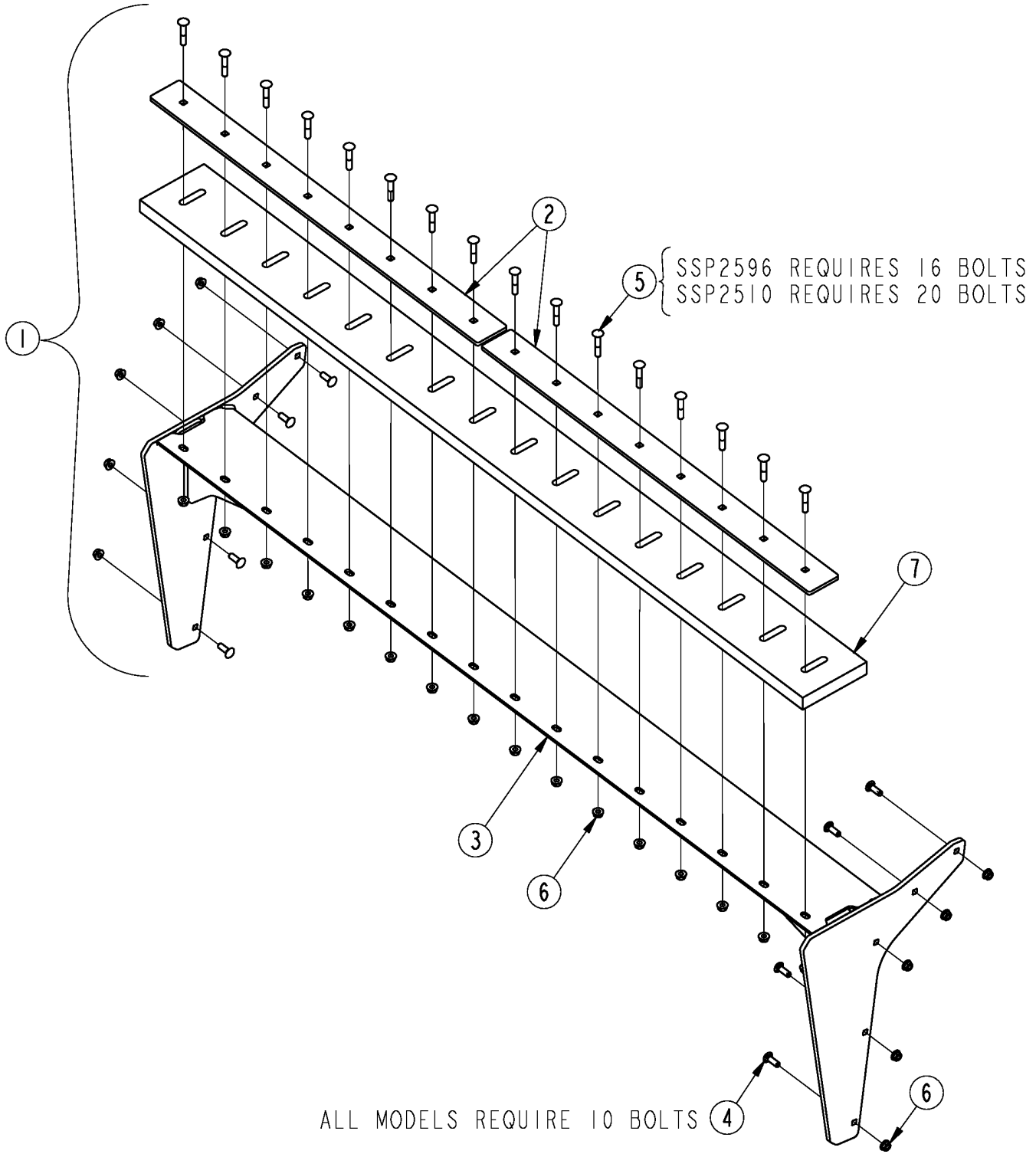
SSP25 End Panel Braces

Applies to SSP2510, SSP2512, SSP2596

Ref	Part No.	Part Description	Comments	Revision
	dwg37938	Drawing Image Number		
1.	303-408A	END PANEL BRACES	S/N 966623+	
2.	303-407H	END PANEL SUPPORT MOUNT		
3.	303-409H	TOP SUPPORT MOUNT		
4.	802-114C	HHCS 3/8-16X2 1/2 GR5		
5.	802-214C	RHSNB 1/2-13X1 1/4 GR5		
6.	803-037C	NUT HEX WHIZ 1/2-13 PLT		
7.	803-209C	NUT FLANGE LOCK 3/8-16 PLT		
8.	806-166C	U-BOLT 3/8-16 X 2 1/32 X 3		
9.	303-340D	BRACE TUBE		

SSP25 Pull Back

Applies to SSP2510, SSP2596



37401

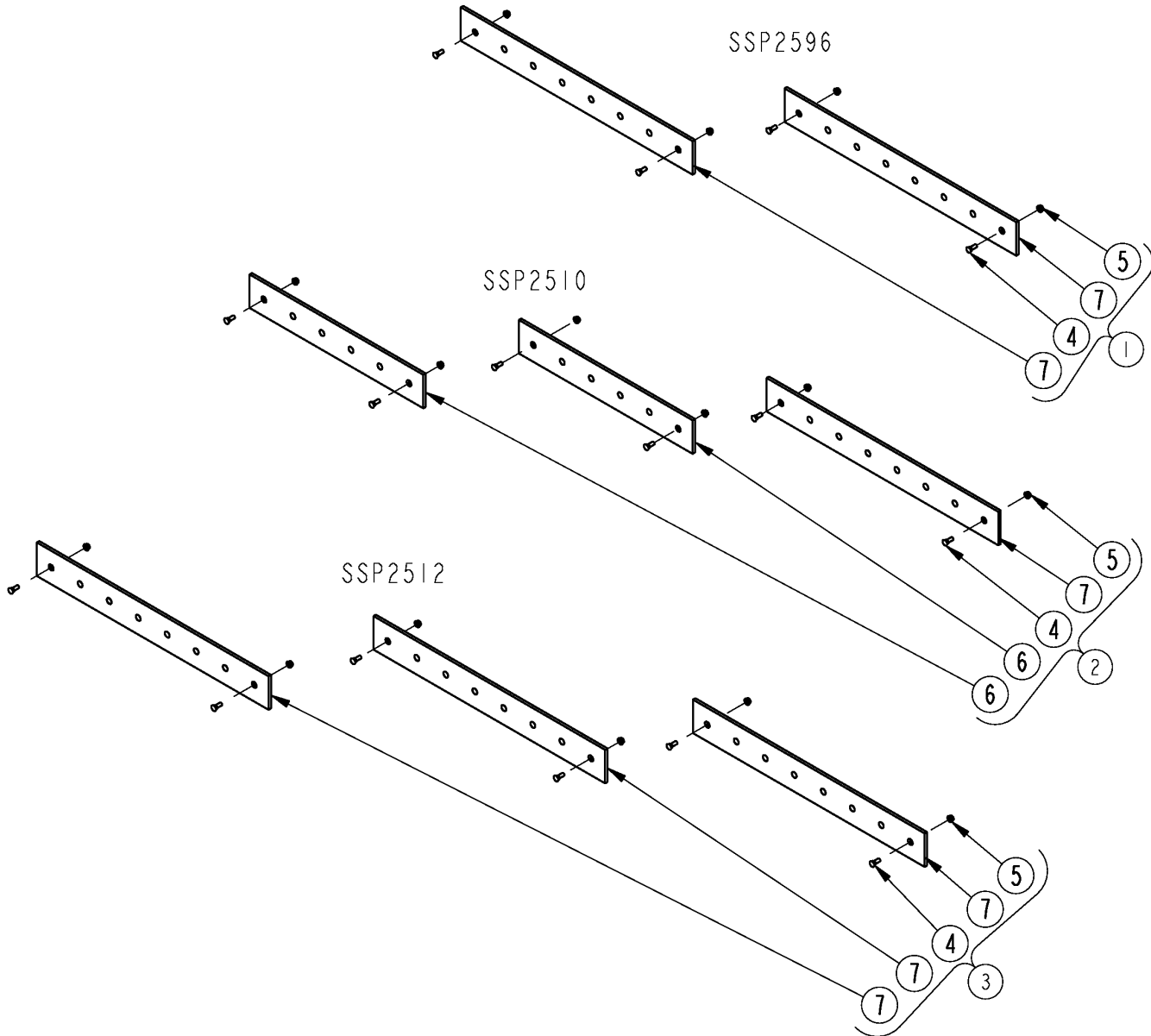
SSP25 Pull Back

Applies to SSP2510, SSP2596

Ref	Part No.	Part Description	Comments	Revision
	dwg37401	Drawing Image Number		
1.	303-386A	SSP2596 PULL BACK ASSEMBLY		
1.	303-385A	SSP2510 PULL BACK ASSEMBLY		
2.	303-307D	RUBBER BLADE SUPPORT LONG PB	SSP2596	
2.	303-313D	RUBBER BLADE SUPPORT 60" PB	SSP2510	
3.	303-382H	WMT, SSP2596 PULL BACK		
3.	303-381H	WMT, SSP2510 PULL BACK		
4.	802-106C	RHSNB 1/2-13X1 1/2 GR5		
5.	802-440C	RHSNB 1/2-13X2 3/4 GR5		
6.	803-037C	NUT HEX WHIZ 1/2-13 PLT		
7.	816-817C	SNOW BLADE 1.5 X 8 X 96"	SSP2596	
7.	816-818C	SNOW BLADE 1.5 X 8 X 10'	SSP2510	

SSP25 Steel Blade Components

Applies to SSP2510, SSP2512, SSP2596



37008

SSP25 Steel Blade Components

Applies to SSP2510, SSP2512, SSP2596

Ref	Part No.	Part Description	Comments	Revision
	dwg37008	Drawing Image Number		
1.	303-351A	SSP STEEL BLADE ASSY 96"		
2.	303-352A	SSP STEEL BLADE ASSY 10'		
3.	303-353A	SSP STEEL BLADE ASSY 12'		
4.	802-354C	PLOW 1/2-13X1 1/2 GR5		
5.	803-037C	NUT HEX WHIZ 1/2-13 PLT		
6.	891-446C	STEEL CUTTING EDGE 3FT		
7.	891-447C	STEEL CUTTING EDGE 4FT		



Part Number Index

The Part Number Index is a numeric index of all part numbers included in this manual. The index shows what page(s) the part is used on.

<u>Part Number</u>	<u>Page</u>	<u>Part Number</u>	<u>Page</u>
303-258D	9	821-066CGL	7, 17
303-259D	9, 19	821-066CQT	7, 17
303-265D	19	821-066CTU	7, 17
303-306D	13	821-067C	7, 17
303-307D	13, 25	821-067CGL	7, 17
303-313D	25	821-067CQT	7, 17
303-329H	19	821-067CTU	7, 17
303-331H	19	821-070C	7, 17
303-332H	19	821-070CGL	7, 17
303-333H	19	821-070CQT	7, 17
303-340D	23	821-070CTU	7, 17
303-341H	9	821-080C	7, 17
303-342H	9	821-080CGL	7, 17
303-343H	9	821-080CQT	7, 17
303-344H	9	821-080CTU	7, 17
303-349A	15	838-102C	9, 19
303-350A	15	838-106C	9, 19
303-351A	15, 27	838-112C	9, 19
303-352A	27	838-293C	9, 19
303-353A	27	838-614C	9, 19
303-354A	9	838-615C	9, 19
303-355A	9	838-966C	9, 19
303-356A	9	858-108C	9, 19
303-372H	13	858-171C	19
303-373H	13	858-172C	19
303-374H	13	858-173C	19
303-378A	13	858-185C	9
303-379A	13	858-186C	9
303-380A	13	858-187C	9
303-381H	25	858-215C	9, 19
303-382H	25	891-446C	15, 27
303-385A	25	891-447C	15, 27
303-386A	25	Dwg 26933	11, 21
303-407H	23	Dwg 37005	9
303-408A	23	dwg37006	15
303-409H	23	dwg37007	19
323-026A	11, 21	dwg37008	27
802-106C	25	dwg37398	13
802-114C	23	dwg37401	25
802-159C	11, 21	dwg37938	23
802-183C	9	N/A	11, 21
802-214C	13, 19, 23		
802-250C	9, 13		
802-354C	15, 27		
802-440C	19, 25		
803-037C	9, 13, 15, 19, 23, 25, 27		
803-084C	11, 21		
803-209C	23		
806-166C	23		
816-814C	9, 13		
816-815C	9, 13		
816-816C	9, 13		
816-817C	19, 25		
816-818C	19, 25		
816-819C	19		
818-190C	9, 19		
821-011C	7, 17		
821-011CGL	7, 17		
821-011CQT	7, 17		
821-011CTU	7, 17		
821-054C	7, 17		
821-054CGL	7, 17		
821-054CQT	7, 17		
821-054CTU	7, 17		
821-058C	7, 17		
821-058CGL	7, 17		
821-058CQT	7, 17		
821-058CTU	7, 17		
821-066C	7, 17		

This Page Intentionally Left Blank



Great Plains Manufacturing, Inc.

Corporate Office: P.O. Box 5060
Salina, Kansas 67402-5060 USA

www.landpride.com
