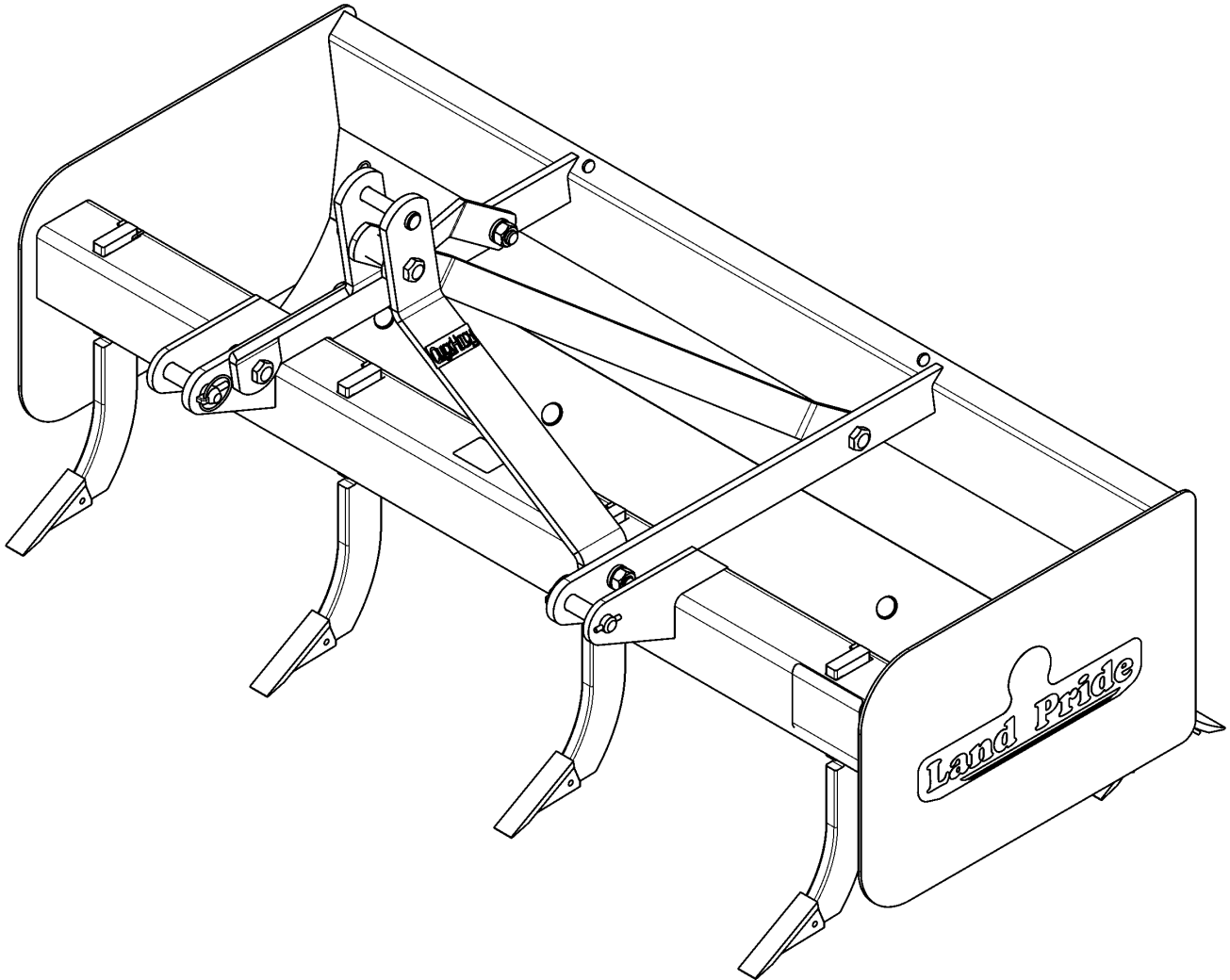


# Box Scrapers

**BB1248, BB1254, BB1260, BB1266 & BB1272**



30731

**303-295P**  
**Parts Manual**



Read the Operator's Manual entirely. When you see this symbol, the subsequent instructions and warnings are serious - follow without exception. Your life and the lives of others depend on it!

© Copyright 2019 Printed 10/10/19

Cover photo may show optional equipment not supplied with standard unit.





# Table of Contents

---

|                                     |          |
|-------------------------------------|----------|
| <b>Section 1: Introduction.....</b> | <b>4</b> |
| Using This Manual.....              | 4        |
| Manual Replacement Information..... | 4        |
| Manual Revisions.....               | 4        |
| Touch-up Paint.....                 | 4        |
| Hardware Legend.....                | 5        |
| Replacement Hardware.....           | 5        |
| Serial Numbers.....                 | 5        |
| Part Number Service Coding.....     | 5        |

## **BB12 SERIES**

|                              |          |
|------------------------------|----------|
| <b>Section 2: Frame.....</b> | <b>6</b> |
| Complete Assembly.....       | 6        |

|                                 |           |
|---------------------------------|-----------|
| <b>Section 3: Decals.....</b>   | <b>10</b> |
| Decal Placement.....            | 10        |
| Land Pride Touch-up Paints..... | 12        |

|                               |           |
|-------------------------------|-----------|
| <b>Part Number Index.....</b> | <b>14</b> |
|-------------------------------|-----------|

© Copyright 2019. All rights reserved.

Land Pride provides this publication “as is” without warranty of any kind, either expressed or implied. While every precaution has been taken in the preparation of this manual, Land Pride assumes no responsibility for errors or omissions. Neither is any liability assumed for damages resulting from the use of the information contained herein. Land Pride reserves the right to revise and improve its products as it sees fit. This publication describes the state of this product at the time of its publication, and may not reflect the product in the future. The illustrations in this manual are not intended for safe and proper assembly or disassembly of equipment. The illustrations are intended for ordering parts only.

Land Pride is registered trademark.

All other brands and product names are trademarks or registered trademarks of their respective holders.

*Printed in the United States of America.*



# Alphabetized Table of Contents

---

## BB12 SERIES

|                                 |    |
|---------------------------------|----|
| <b>C</b>                        |    |
| Complete Assembly.....          | 6  |
| <b>D</b>                        |    |
| Decal Placement.....            | 10 |
| <b>L</b>                        |    |
| Land Pride Touch-up Paints..... | 12 |

# General Information

## Using This Manual

This manual is divided into sections. The first section contains General Information. The remaining sections divide the machine into segments (i.e. Frames, Drives, Hydraulics, etc.) which illustrate and list all parts. A Parts Number Index is located at the back of the book.

The Land Pride parts in this manual are specially designed for this machine and should be replaced with Land Pride parts only.

The information in this manual is current at time of printing. Some parts may change to assure top performance.

Right-hand and left-hand as used in this manual are determined by facing the direction the machine will travel while in use.

Below is an example of two facing pages from a parts manual. Familiarize yourself with the type of information contained on these pages.

## Manual Replacement Information

Replacement manuals are available. Refer to our website at [www.landpride.com](http://www.landpride.com) or e-mail us at [lit@landpride.com](mailto:lit@landpride.com) for additional information. Our website continues to provide the most up-to-date manuals available.

## Touch-up Paint

Repaint parts where paint is worn or scratched to prevent rust. Aerosol cans and touch-up bottles with brush applicator are available through your local dealer. Also available are quart and gallon size paints. Add QT or GL to end of the Aerosol P/N.

Land Pride color descriptions and part numbers are listed on the "Land Pride Touch-up Paints" page in the "Decals" section of this book. Color options vary by product.



## General Information

### Hardware Legend

|                 |  |
|-----------------|--|
| <b>AR</b>       | As Required                                      |
| <b>BLADE</b>    | Blade Bolt                                       |
| <b>C</b>        | Cap Screw  |
| <b>CP</b>       | Cotter Pin                                       |
| <b>CPHSSS</b>   | Cup Point Hex Socket Set Screw                   |
| <b>CPSHSS</b>   | Cup Point Square Head Set Screw                  |
| <b>CPSQHSS</b>  | Cup Point Square Head Set Screw                  |
| <b>CRFCHMS3</b> | Cross Recess Flat Countersunk Head Machine Screw |
| <b>CRPHMS</b>   | Cross Recess Pan Head Machine Screw              |
| <b>CRPHTF</b>   | Cross Recess Pan Head Thread Forming             |
| <b>CRRHMS</b>   | Cross Recess Round Head Machine Screw            |
| <b>CRTHMS</b>   | Cross Recess Truss Head Machine Screw            |
| <b>CSNB</b>     | Countersunk Square Neck Bolt                     |
| <b>FHMS</b>     | Flat Head Machine Screw                          |
| <b>FTC</b>      | Full Thread Cap Screw                            |
| <b>H</b>        | Hex Nut  |
| <b>HCLN</b>     | Hex Center Lock Nut                              |
| <b>HFLCS</b>    | Hex Flange Lock Cap Screw                        |
| <b>HFS</b>      | Hex Flange Screw                                 |
| <b>HFSLN</b>    | Hex Flange Serrated Lock Nut                     |
| <b>HFSS</b>     | Hex Flange Serrated Screw                        |
| <b>HHCS</b>     | Hex Head Cap Screw or Metric Bolt                |
| <b>HSBHCS</b>   | Hex Socket Button Head Cap Screw                 |
| <b>HSFCHCS</b>  | Hex Socket Flat Countersunk Head Cap Screw       |
| <b>HSHCS</b>    | Hex Socket Head Cap Screw                        |
| <b>HSSS</b>     | Hex Socket Head Screw                            |
| <b>HTLN</b>     | Hex Top Lock Nut                                 |
| <b>HWHCS</b>    | Hex Washer Head Cap Screw                        |

|                       |   |
|-----------------------|---|
| <b>HWHMS</b>          | Hex Washer Head Machine Screw               |
| <b>HXBHCS</b>         | Hex Socket Button Head Cap Screw            |
| <b>J</b>              | Hex Jam Nut                                 |
| <b>JIC</b>            | 37 Degree Tapered Thread                    |
| <b>L</b>              | Helical Spring Lock Washer                  |
| <b>LUG</b>            | Lug Bolt                                    |
| <b>NFC</b>            | National Fine Cap Screw                     |
| <b>NPSM</b>           | National Pipe Straight Mechanical           |
| <b>NPTF</b>           | National Pipe Taper Fuel                    |
| <b>P</b>              | Wide Plain Washer                           |
| <b>PHMS</b>           | Pan Head Machine Screw                      |
| <b>PLOW</b>           | Plow Bolt                                   |
| <b>RHMS</b>           | Round Head Machine Screw                    |
| <b>RHSNB</b>          | Round Head Square Neck Bolt                 |
| <b>SCREW LEVELING</b> | Leveling Screw                              |
| <b>SCREW THUMB</b>    | Thumb Screw                                 |
| <b>SCREW WELD</b>     | Weld Screw                                  |
| <b>SFCHMS</b>         | Slotted Flat Countersunk Head Machine Screw |
| <b>SFHMS</b>          | Slotted Fillister Head Machine Screw        |
| <b>SP</b>             | Special                                     |
| <b>SP SCREW</b>       | Special Screw                               |
| <b>SQHSS</b>          | Square Head Set Screw                       |
| <b>SRHMS</b>          | Slotted Round Head Machine Screw            |
| <b>SSS</b>            | Socket Set Screw                            |
| <b>STCS</b>           | Self Tapping Cap Screw                      |
| <b>STHMS</b>          | Slotted Truss Head Machine Screw            |
| <b>WHEEL</b>          | Wheel Studs and Hub Long Bolts              |
| <b>WING</b>           | Wing Bolt                                   |

### Replacement Hardware

The **Hardware Legend** above lists hardware abbreviations used in the parts list. All bolts and nuts are Grade 5 unless otherwise noted. The use of improper grades of hardware can result in personal injury, damage to equipment, or loss of property.

### Colored Replacement Parts

Land Pride offers replacement parts in factory standard colors and also on select models in Green, Orange, Red and Blue. Because of the variety of colors available, special attention must be given to the part number to prevent ordering the wrong replacement part.

A suffix number corresponding to one of the colors below must be added at the end of Land Pride's part number when ordering a replacement part with that color.

**81 . . . . . Green      83 . . . . . Red**  
**82 . . . . . Orange    84 . . . . . Blue**

For example, if you are ordering a replacement part with part number 555-555C and the part you need is red, then add the suffix 83 to the end of the number to make the part number read 555-555C83. Parts ordered without a suffix number will be supplied in factory standard colors.

### Black Replacement Parts

Some parts are factory standard black and some must be special ordered black. If your part is special ordered black, a second part number with the additional suffix number 85 on the end will be available. In this situation you must order that part with the suffix number for it to be black. Parts that are factory standard black will not have the suffix number.

### Part Number Service Coding

Within the parts list some part numbers are coded for revisions and interchangeability. See notations in revision column.

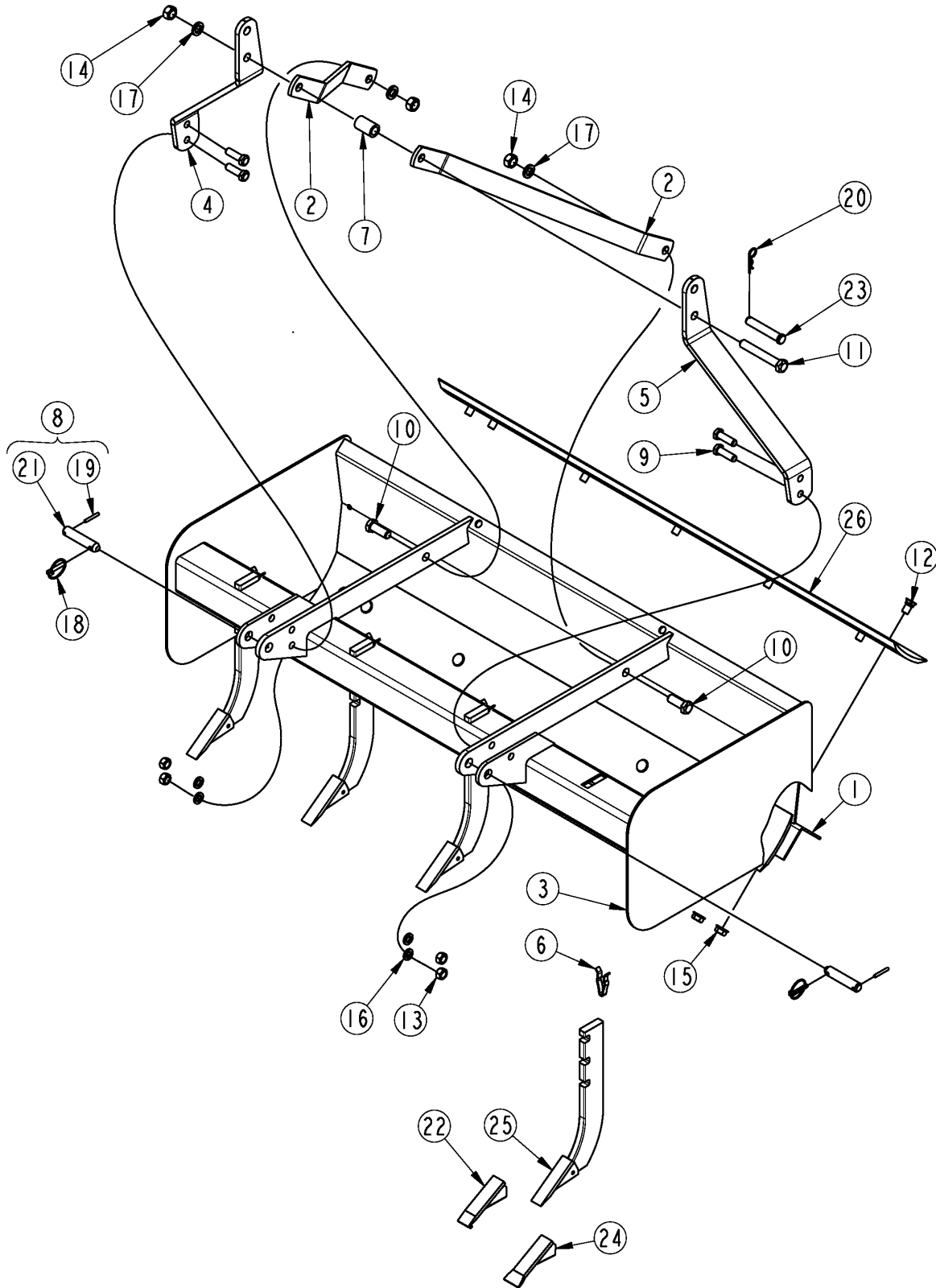
### Serial Numbers

Always use the serial and model number when ordering parts. Refer to the Operator's Manual for serial number plate location.

- |                      |  |
|----------------------|--|
| (S/N 20001+)         | Includes serial numbers 20001 and above (to the latest number)   |
| (S/N 10001 to 20000) | Includes serial numbers between and including 10001 and 20000    |
| (S/N 10000-)         | Includes serial numbers 10000 and below (to the earliest number) |

### Complete Assembly

Applies to BB1248, BB1254, BB1260, BB1266, BB1272



30730

**Complete Assembly****Applies to BB1248, BB1254, BB1260, BB1266, BB1272**

| Ref | Part No.   | Part Description                      | Comments   | Revision |
|-----|------------|---------------------------------------|--|----------|
|     | Dwg 30730  | Drawing Image Number                  |  |          |
| 1.  | 303-203D   | ANGLE, 48" MOLDBOARD BLADE MNT        | Welding Required   |          |
| 1.  | 303-218D   | ANGLE, 54" MOLDBOARD BLADE            | Welding Required   |          |
| 1.  | 303-204D   | ANGLE, 60" MOLDBOARD BLADE MNT        | Welding Required   |          |
| 1.  | 303-219D   | ANGLE, 66" MOLDBOARD BLADE            | Welding Required   |          |
| 1.  | 303-205D   | ANGLE, 72" MOLDBOARD BLADE MNT        | Welding Required   |          |
| 2.  | 303-212D   | STRAP, UPPER HITCH BRACE              |  |          |
| 2.  | 303-212D81 | STRAP, UPPER HITCH BRACE GREEN        |  |          |
| 2.  | 303-212D82 | STRAP, UPPER HITCH BRACE ORANGE       |  |          |
| 2.  | 303-212D83 | STRAP, UPPER HITCH BRACE RED          |  |          |
| 3.  | 303-299H   | WLDMNT, 48" LIGHT DUTY SCRAPER        |  |          |
| 3.  | 303-299H81 | WLDMNT, 48" LIGHT DUTY SCRAPER GREEN  |  |          |
| 3.  | 303-299H82 | WLDMNT, 48" LIGHT DUTY SCRAPER ORANGE |  |          |
| 3.  | 303-299H83 | WLDMNT, 48" LIGHT DUTY SCRAPER RED    |  |          |
| 3.  | 303-317H   | WLDMNT, 54" LIGHT DUTY SCRAPER        |  |          |
| 3.  | 303-317H81 | WLDMNT, 54" GREEN SCRAPER             |  |          |
| 3.  | 303-317H82 | WLDMNT, 54" ORANGE SCRAPER            |  |          |
| 3.  | 303-317H83 | WLDMNT, 54" LIGHT DUTY SCRAPER RED    |  |          |
| 3.  | 303-300H   | WLDMNT, 60" LIGHT DUTY SCRAPER        |  |          |
| 3.  | 303-300H81 | WLDMNT, 60" LIGHT DUTY SCRAPER GREEN  |  |          |
| 3.  | 303-300H82 | WLDMNT, 60" LIGHT DUTY SCRAPER ORANGE |  |          |
| 3.  | 303-300H83 | WLDMNT, 60" LIGHT DUTY SCRAPER RED    |  |          |
| 3.  | 303-318H   | WLDMNT, 66" LIGHT DUTY SCRAPER        |  |          |
| 3.  | 303-318H81 | WLDMNT, 66" GREEN SCRAPER             |  |          |
| 3.  | 303-318H82 | WLDMNT, 66" ORANGE SCRAPER            |  |          |
| 3.  | 303-318H83 | WLDMNT, 66" LIGHT DUTY SCRAPER RED    |  |          |
| 3.  | 303-301H   | WLDMNT, 72" LIGHT DUTY SCRAPER        |  |          |
| 3.  | 303-301H81 | WLDMNT, 72" LIGHT DUTY SCRAPER GREEN  |  |          |
| 3.  | 303-301H82 | WLDMNT, 72" LIGHT DUTY SCRAPER ORANGE |  |          |
| 3.  | 303-301H83 | WLDMNT, 72" LIGHT DUTY SCRAPER RED    |  |          |
| 4.  | 303-354D   | BB12 SERIES HITCH STRAP RH            | (BB1248 S/N 1003266+)(BB1254 S/N 1004074+)(BB1260 S/N 1004230+)(BB1272 S/N 1008803+) |          |
| 4.  | 303-354D81 | BB12 SERIES HITCH STRAP RH GRN        | (BB1248 S/N 1003266+)(BB1254 S/N 1004074+)(BB1260 S/N 1004230+)(BB1272 S/N 1008803+) |          |
| 4.  | 303-354D82 | BB12 SERIES HITCH STRAP RH ORG        | (BB1248 S/N 1003266+)(BB1254 S/N 1004074+)(BB1260 S/N 1004230+)(BB1272 S/N 1008803+) |          |
| 4.  | 303-354D83 | BB12 SERIES HITCH STRAP RH RED        | (BB1248 S/N 1003266+)(BB1254 S/N 1004074+)(BB1260 S/N 1004230+)(BB1272 S/N 1008803+) |          |
| 4.  | 303-122D   | HITCH TOP RH STRAP                    | (BB1248 S/N 1003265-)(BB1254 S/N 1004073-)(BB1260 S/N 1004229-)(BB1272 S/N 1008802-) |          |
| 4.  | 303-122D81 | HITCH TOP RH STRAP GREEN              | (BB1248 S/N 1003265-)(BB1254 S/N 1004073-)(BB1260 S/N 1004229-)(BB1272 S/N 1008802-) |          |
| 4.  | 303-122D82 | HITCH TOP RH STRAP ORANGE             | (BB1248 S/N 1003265-)(BB1254 S/N 1004073-)(BB1260 S/N 1004229-)(BB1272 S/N 1008802-) |          |
| 4.  | 303-122D83 | HITCH TOP RH STRAP RED                | (BB1248 S/N 1003265-)(BB1254 S/N 1004073-)(BB1260 S/N 1004229-)(BB1272 S/N 1008802-) |          |

**Complete Assembly (continued)**

**Applies to BB1248, BB1254, BB1260, BB1266, BB1272**

| Ref | Part No.   | Part Description               | Comments   | Revision |
|-----|------------|--------------------------------|--|----------|
| 5.  | 303-355D   | BB12 SERIES HITCH STRAP LH     | (BB1248 S/N 1003266+)(BB1254 S/N 1004074+)(BB1260 S/N 1004230+)(BB1272 S/N 1008803+) |          |
| 5.  | 303-355D81 | BB12 SERIES HITCH STRAP LH GRN | (BB1248 S/N 1003266+)(BB1254 S/N 1004074+)(BB1260 S/N 1004230+)(BB1272 S/N 1008803+) |          |
| 5.  | 303-355D82 | BB12 SERIES HITCH STRAP LH ORG | (BB1248 S/N 1003266+)(BB1254 S/N 1004074+)(BB1260 S/N 1004230+)(BB1272 S/N 1008803+) |          |
| 5.  | 303-355D83 | BB12 SERIES HITCH STRAP LH RED | (BB1248 S/N 1003266+)(BB1254 S/N 1004074+)(BB1260 S/N 1004230+)(BB1272 S/N 1008803+) |          |
| 5.  | 303-123D   | HITCH TOP LH STRAP             | (BB1248 S/N 1003265-)(BB1254 S/N 1004073-)(BB1260 S/N 1004229-)(BB1272 S/N 1008802-) |          |
| 5.  | 303-123D81 | HITCH TOP LH STRAP GREEN       | (BB1248 S/N 1003265-)(BB1254 S/N 1004073-)(BB1260 S/N 1004229-)(BB1272 S/N 1008802-) |          |
| 5.  | 303-123D82 | HITCH TOP LH STRAPORANGE       | (BB1248 S/N 1003265-)(BB1254 S/N 1004073-)(BB1260 S/N 1004229-)(BB1272 S/N 1008802-) |          |
| 5.  | 303-123D83 | HITCH TOP LH STRAP RED         | (BB1248 S/N 1003265-)(BB1254 S/N 1004073-)(BB1260 S/N 1004229-)(BB1272 S/N 1008802-) |          |
| 6.  | 305-111D   | CLIP SHANK RETAINER            |  |          |
| 7.  | 308-400D   | SPACER 1 1/4OD X 13/16ID X 2LG |  |          |
| 8.  | 310-020S   | LOWER HITCH PIN                |  |          |
| 9.  | 802-055C   | HHCS 5/8-11X2 GR5              | (BB1248 S/N 1003266+)(BB1254 S/N 1004074+)(BB1260 S/N 1004230+)(BB1272 S/N 1008803+) |          |
| 9.  | 802-064C   | HHCS 3/4-10X2 GR5              | (BB1248 S/N 1003265-)(BB1254 S/N 1004073-)(BB1260 S/N 1004229-)(BB1272 S/N 1008802-) |          |
| 10. | 802-064C   | HHCS 3/4-10X2 GR5              |  |          |
| 11. | 802-069C   | HHCS 3/4-10X5 GR5              |  |          |
| 12. | 802-813C   | PLOW 5/8-11X1 1/4 GR5          |  |          |
| 13. | 803-021C   | NUT HEX 5/8-11 PLT             | (BB1248 S/N 1003266+)(BB1254 S/N 1004074+)(BB1260 S/N 1004230+)(BB1272 S/N 1008803+) |          |
| 13. | 803-027C   | NUT HEX 3/4-10 PLT             | (BB1248 S/N 1003265-)(BB1254 S/N 1004073-)(BB1260 S/N 1004229-)(BB1272 S/N 1008802-) |          |
| 14. | 803-027C   | NUT HEX 3/4-10 PLT             |  |          |
| 15. | 803-304C   | NUT HEX WHIZ 5/8-11 PLT        | S/N 815206+  |          |
| 15. | 803-263C   | NUT HEX FLANGE LOCK 5/8-11 PLT | S/N 815205-  |          |
| 16. | 804-022C   | WASHER LOCK SPRING 5/8 PLT     | (BB1248 S/N 1003266+)(BB1254 S/N 1004074+)(BB1260 S/N 1004230+)(BB1272 S/N 1008803+) |          |
| 16. | 804-023C   | WASHER LOCK SPRING 3/4 PLT     | (BB1248 S/N 1003265-)(BB1254 S/N 1004073-)(BB1260 S/N 1004229-)(BB1272 S/N 1008802-) |          |
| 17. | 804-023C   | WASHER LOCK SPRING 3/4 PLT     |  |          |
| 18. | 805-015C   | PIN LINCH 5/16 X 1 3/4         |  |          |
| 19. | 805-041C   | PIN ROLL 1/4X1 3/4             |  |          |
| 20. | 805-143C   | PIN HAIR COTTER .120 PLT       |  |          |
| 21. | 805-198C   | PIN LOWER HITCH 7/8X3 1/16USBL |  |          |
| 22. | 820-050C   | SHANK TIP DIMPLE-ON NARROW     | Standard Tip   |          |
| 23. | 805-228C   | PIN CLVS .75X3.94 USBL         |  |          |
| 24. | 820-153C   | SHANK TIP DIMPLE-ON WIDE FLARE | Optional Tip   |          |
| 25. | 820-344C   | TRIPLE NOTCH SHANK             |  |          |
| 26. | 820-447C   | BLADE, 3/8 X 6 X 47 1/2 GRADER | BB1248   |          |



***Complete Assembly (continued)***

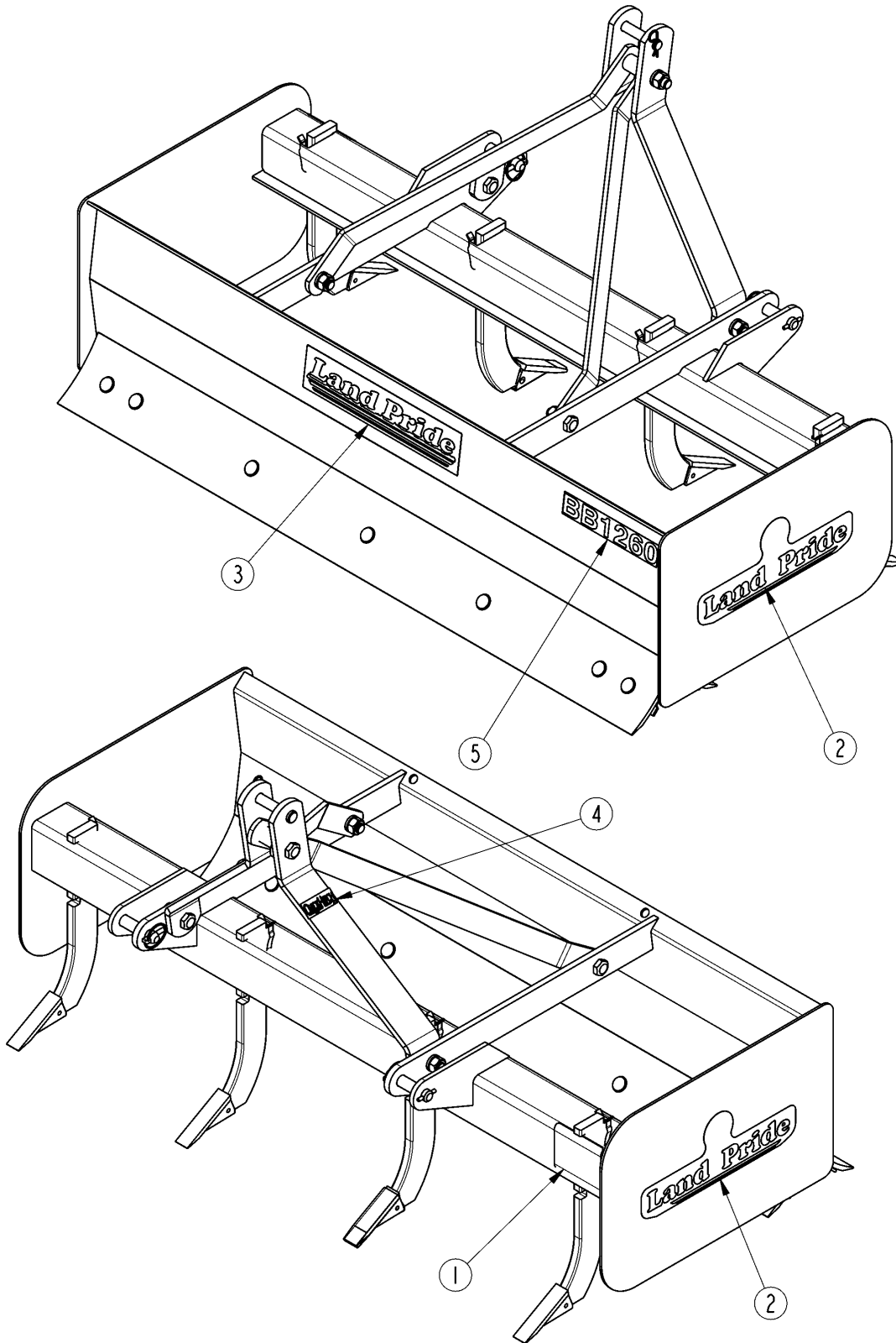
---

**Applies to BB1248, BB1254, BB1260, BB1266, BB1272**

| <b>Ref</b> | <b>Part No.</b> | <b>Part Description</b>           | <b>Comments</b> | <b>Revision</b> |
|------------|-----------------|-----------------------------------|-----------------|-----------------|
| 26.        | 820-459C        | BLADE, 3/8 X 6 X 53 1/2 LG GRADER | BB1254          |                 |
| 26.        | 820-448C        | BLADE, 3/8 X 6 X 59 1/2 GRADER    | BB1260          |                 |
| 26.        | 820-474C        | BLADE, 3/8 X 6 X 65 1/2 LG GRADER | BB1266          |                 |
| 26.        | 820-449C        | BLADE, 3/8 X 6 X 71 1/2 GRADER    | BB1272          |                 |

## Decal Placement

Applies to BB1248, BB1254, BB1260, BB1266, BB1272



30738

***Decal Placement*****Applies to BB1248, BB1254, BB1260, BB1266, BB1272**

| <b>Ref</b> | <b>Part No.</b> | <b>Part Description</b>        | <b>Comments</b>                      | <b>Revision</b> |
|------------|-----------------|--------------------------------|--------------------------------------|-----------------|
|            | Dwg 30738       | Drawing Image Number           |                                      |                 |
| 1.         | 818-267C        | DECAL CAUTION - BOX SCRAPER    |                                      |                 |
| 2.         | 818-893C        | RPBY 838-964C                  | Beige Unit                           |                 |
| 2.         | 838-964C        | DECAL LP 16" W/TREE BROWN/GOLD | Green, Orange & Red Units            |                 |
| 3.         | 818-901C        | RPBY 838-965C                  | Beige Unit                           |                 |
| 3.         | 838-965C        | DECAL LANDPRIDE 16" BROWN/GOLD | Green, Orange & Red Units            |                 |
| 4.         | 838-517C        | DECAL QUICK HITCH SYSTEM       |                                      |                 |
| 5.         | 848-683C        | DECAL, BB1248 GOLD             |                                      |                 |
| 5.         | 848-684C        | RPBY 848-683C                  | Obsolete                             |                 |
| 5.         | 848-868C        | DECAL, BB1254 GOLD             | Beige Unit                           |                 |
| 5.         | 848-869C        | RPBY 848-868C                  | (Obsolete) Green, Orange & Red Units |                 |
| 5.         | 848-685C        | DECAL, BB1260 GOLD             |                                      |                 |
| 5.         | 848-686C        | RPBY 848-685C                  | Obsolete                             |                 |
| 5.         | 848-870C        | DECAL, BB1266 GOLD             |                                      |                 |
| 5.         | 848-871C        | RPBY 848-870C                  | Obsolete                             |                 |
| 5.         | 848-687C        | DECAL, BB1272 GOLD             |                                      |                 |
| 5.         | 848-688C        | RPBY 848-687C                  | Obsolete                             |                 |

***Land Pride Touch-up Paints***

---

Applies to BB1248, BB1254, BB1260, BB1266, BB1272

**No diagram associated with this Parts List**

**Land Pride Touch-up Paints****Applies to BB1248, BB1254, BB1260, BB1266, BB1272**

| <b>Ref</b> | <b>Part No.</b> | <b>Part Description</b>       | <b>Comments</b>            | <b>Revision</b> |
|------------|-----------------|-------------------------------|----------------------------|-----------------|
| 1.         | 821-011C        | LP BEIGE SPRAY CAN            | Spray can                  |                 |
| 1.         | 821-011CTU      | LP BEIGE TOUCH-UP 5OZ         | Touch-up bottle with brush |                 |
| 1.         | 821-011CQT      | LP BEIGE QUART                | Quart can                  |                 |
| 1.         | 821-011CGL      | LP BEIGE GALLON               | Gallon can                 |                 |
| 2.         | 821-070C        | GLOSS BLACK SPRAY CAN         | Spray can                  |                 |
| 2.         | 821-070CTU      | GLOSS BLACK TOUCH-UP 5OZ      | Touch-up bottle with brush |                 |
| 2.         | 821-070CQT      | GLOSS BLACK QUART             | Quart can                  |                 |
| 2.         | 821-070CGL      | GLOSS BLACK GALLON            | Gallon can                 |                 |
| 3.         | 821-054C        | MED. RED SPRAY TRCK/CTR       | Spray can                  |                 |
| 3.         | 821-054CTU      | MED RED TOUCH-UP 5OZ          | Touch-up bottle with brush |                 |
| 3.         | 821-054CQT      | MED RED QUART                 | Quart can                  |                 |
| 3.         | 821-054CGL      | MED RED GALLON                | Gallon can                 |                 |
| 4.         | 821-058C        | GREEN SPRAY CUTTERS           | Spray can                  |                 |
| 4.         | 821-058CTU      | GREEN TOUCH-UP 5OZ            | Touch-up bottle with brush |                 |
| 4.         | 821-058CQT      | GREEN QUART                   | Quart can                  |                 |
| 4.         | 821-058CGL      | GREEN GALLON                  | Gallon can                 |                 |
| 5.         | 821-066C        | ORANGE SPRAY CAN              | Spray can                  |                 |
| 5.         | 821-066CTU      | ORANGE TOUCH-UP 5OZ           | Touch-up bottle with brush |                 |
| 5.         | 821-066CQT      | ORANGE QUART                  | Quart can                  |                 |
| 5.         | 821-066CGL      | ORANGE GALLON                 | Gallon can                 |                 |
| 6.         | 821-067C        | BLUE SPRAY CAN                | Spray can                  |                 |
| 6.         | 821-067CTU      | BLUE TOUCH-UP 5OZ             | Touch-up bottle with brush |                 |
| 6.         | 821-067CQT      | BLUE QUART                    | Quart can                  |                 |
| 6.         | 821-067CGL      | BLUE GALLON                   | Gallon can                 |                 |
| 7.         | 821-080C        | PAINT ALUMINUM/ZINC SPRAY CAN | Spray can                  |                 |
| 7.         | 821-080CTU      | PAINT ALUMINUM/ZINC TOUCH UP  | Touch-up bottle with brush |                 |
| 7.         | 821-080CQT      | PAINT ALUMINUM/ZINC QUART     | Quart can                  |                 |
| 7.         | 821-080CGL      | PAINT ALUMINUM/ZINC GALLON    | Gallon can                 |                 |



# Part Number Index

The Part Number Index is a numeric index of all part numbers included in this manual. The index shows what page(s) the part is used on.

| <b>Part Number</b> | <b>Page</b> | <b>Part Number</b> | <b>Page</b> |
|--------------------|-------------|--------------------|-------------|
| 303-122D           | 7           | 820-448C           | 9           |
| 303-122D81         | 7           | 820-449C           | 9           |
| 303-122D82         | 7           | 820-459C           | 9           |
| 303-122D83         | 7           | 820-474C           | 9           |
| 303-123D           | 8           | 821-011C           | 13          |
| 303-123D81         | 8           | 821-011CGL         | 13          |
| 303-123D82         | 8           | 821-011CQT         | 13          |
| 303-123D83         | 8           | 821-011CTU         | 13          |
| 303-203D           | 7           | 821-054C           | 13          |
| 303-204D           | 7           | 821-054CGL         | 13          |
| 303-205D           | 7           | 821-054CQT         | 13          |
| 303-212D           | 7           | 821-054CTU         | 13          |
| 303-212D81         | 7           | 821-058C           | 13          |
| 303-212D82         | 7           | 821-058CGL         | 13          |
| 303-212D83         | 7           | 821-058CQT         | 13          |
| 303-218D           | 7           | 821-058CTU         | 13          |
| 303-219D           | 7           | 821-066C           | 13          |
| 303-299H           | 7           | 821-066CGL         | 13          |
| 303-299H81         | 7           | 821-066CQT         | 13          |
| 303-299H82         | 7           | 821-066CTU         | 13          |
| 303-299H83         | 7           | 821-067C           | 13          |
| 303-300H           | 7           | 821-067CGL         | 13          |
| 303-300H81         | 7           | 821-067CQT         | 13          |
| 303-300H82         | 7           | 821-067CTU         | 13          |
| 303-300H83         | 7           | 821-070C           | 13          |
| 303-301H           | 7           | 821-070CGL         | 13          |
| 303-301H81         | 7           | 821-070CQT         | 13          |
| 303-301H82         | 7           | 821-070CTU         | 13          |
| 303-301H83         | 7           | 821-080C           | 13          |
| 303-317H           | 7           | 821-080CGL         | 13          |
| 303-317H81         | 7           | 821-080CQT         | 13          |
| 303-317H82         | 7           | 821-080CTU         | 13          |
| 303-317H83         | 7           | 838-517C           | 11          |
| 303-318H           | 7           | 838-964C           | 11          |
| 303-318H81         | 7           | 838-965C           | 11          |
| 303-318H82         | 7           | 848-683C           | 11          |
| 303-318H83         | 7           | 848-684C           | 11          |
| 303-354D           | 7           | 848-685C           | 11          |
| 303-354D81         | 7           | 848-686C           | 11          |
| 303-354D82         | 7           | 848-687C           | 11          |
| 303-354D83         | 7           | 848-688C           | 11          |
| 303-355D           | 8           | 848-868C           | 11          |
| 303-355D81         | 8           | 848-869C           | 11          |
| 303-355D82         | 8           | 848-870C           | 11          |
| 303-355D83         | 8           | 848-871C           | 11          |
| 305-111D           | 8           | Dwg 30730          | 7           |
| 308-400D           | 8           | Dwg 30738          | 11          |
| 310-020S           | 8           |                    |             |
| 802-055C           | 8           |                    |             |
| 802-064C           | 8           |                    |             |
| 802-069C           | 8           |                    |             |
| 802-813C           | 8           |                    |             |
| 803-021C           | 8           |                    |             |
| 803-027C           | 8           |                    |             |
| 803-263C           | 8           |                    |             |
| 803-304C           | 8           |                    |             |
| 804-022C           | 8           |                    |             |
| 804-023C           | 8           |                    |             |
| 805-015C           | 8           |                    |             |
| 805-041C           | 8           |                    |             |
| 805-143C           | 8           |                    |             |
| 805-198C           | 8           |                    |             |
| 805-228C           | 8           |                    |             |
| 818-267C           | 11          |                    |             |
| 818-893C           | 11          |                    |             |
| 818-901C           | 11          |                    |             |
| 820-050C           | 8           |                    |             |
| 820-153C           | 8           |                    |             |
| 820-344C           | 8           |                    |             |
| 820-447C           | 8           |                    |             |

***This Page Intentionally Left Blank***



Great Plains Manufacturing, Inc.

Corporate Office: P.O. Box 5060  
Salina, Kansas 67402-5060 USA

[www.landpride.com](http://www.landpride.com)

---