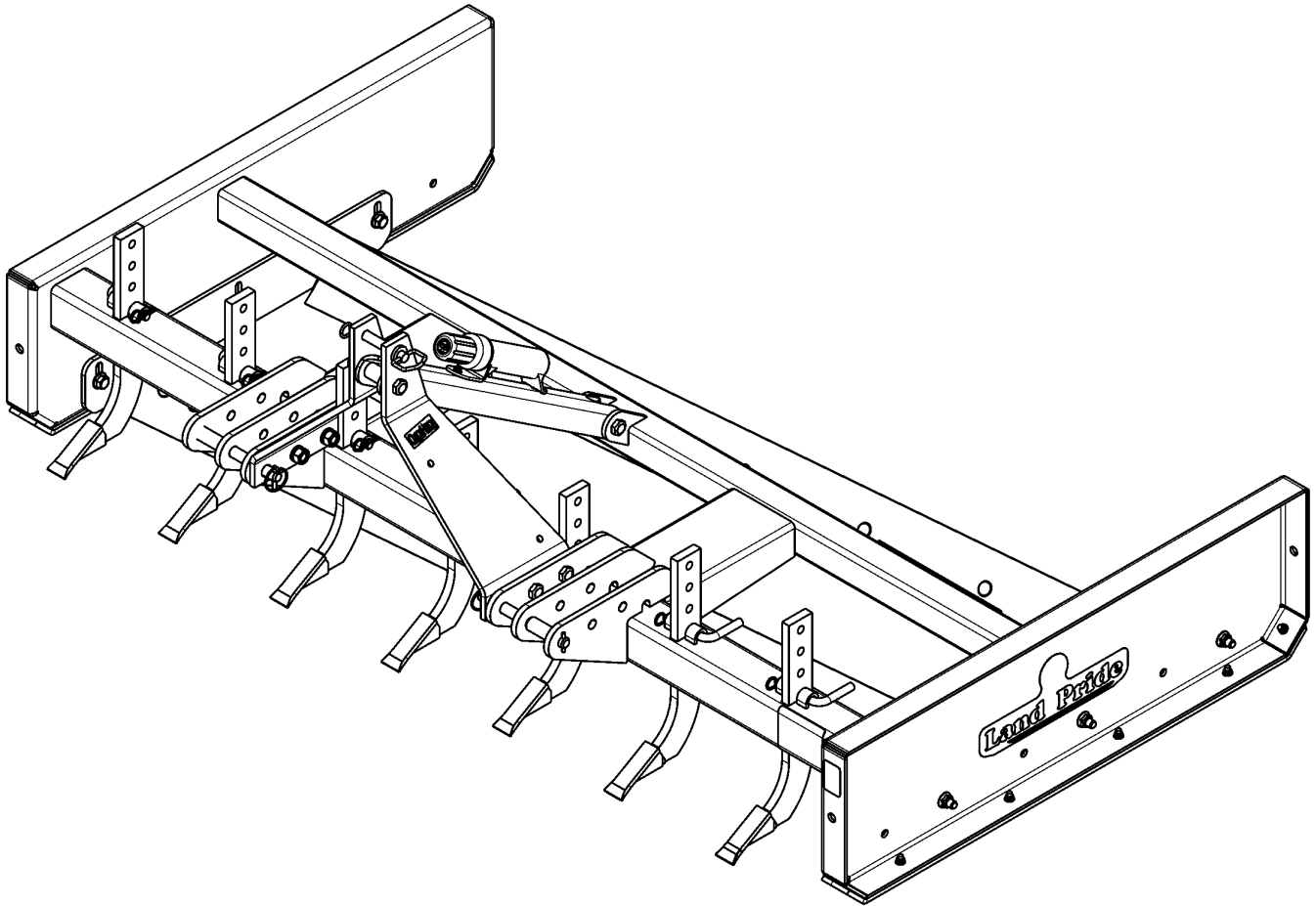


Grading Scrapers

GS2572, GS2584 & GS2596



26653

303-268P **Parts Manual**



Read the Operator's Manual entirely. When you see this symbol, the subsequent instructions and warnings are serious - follow without exception. Your life and the lives of others depend on it!

© Copyright 2018 Printed 07/10/18

Cover photo may show optional equipment not supplied with standard unit.





Table of Contents

Section 1: Introduction.....	4
Using This Manual.....	4
Manual Replacement Information.....	4
Manual Revisions.....	4
Touch-up Paint.....	4
Hardware Legend.....	5
Replacement Hardware.....	5
Serial Numbers.....	5
Part Number Service Coding.....	5
Section 2: Frames.....	6
Complete Assembly S/N 730054.....	6
Cutting Blade Carrier Frame.....	8
Main Frame & Hitch Components.....	10
Section 3: Options & Accessories.....	12
Rear Cutting Blades Option.....	12
Shank Option.....	14
Section 4: Decals.....	16
Decal Placement.....	16
Land Pride Touch-up Paints.....	18
Part Number Index.....	20

© Copyright 2018. All rights reserved.

Land Pride provides this publication “as is” without warranty of any kind, either expressed or implied. While every precaution has been taken in the preparation of this manual, Land Pride assumes no responsibility for errors or omissions. Neither is any liability assumed for damages resulting from the use of the information contained herein. Land Pride reserves the right to revise and improve its products as it sees fit. This publication describes the state of this product at the time of its publication, and may not reflect the product in the future. The illustrations in this manual are not intended for safe and proper assembly or disassembly of equipment. The illustrations are intended for ordering parts only.

Land Pride is registered trademark.

All other brands and product names are trademarks or registered trademarks of their respective holders.

Printed in the United States of America.



Alphabetized Table of Contents

C	
	Complete Assembly S/N 730054-.....6
	Cutting Blade Carrier Frame.....8
D	
	Decal Placement.....16
L	
	Land Pride Touch-up Paints.....18
M	
	Main Frame & Hitch Components.....10
R	
	Rear Cutting Blades Option.....12
S	
	Shank Option.....14

General Information

Using This Manual

This manual is divided into sections. The first section contains General Information. The remaining sections divide the machine into segments (i.e. Frames, Drives, Hydraulics, etc.) which illustrate and list all parts. A Parts Number Index is located at the back of the book.

The Land Pride parts in this manual are specially designed for this machine and should be replaced with Land Pride parts only.

The information in this manual is current at time of printing. Some parts may change to assure top performance.

Right-hand and left-hand as used in this manual are determined by facing the direction the machine will travel while in use.

Below is an example of two facing pages from a parts manual. Familiarize yourself with the type of information contained on these pages.

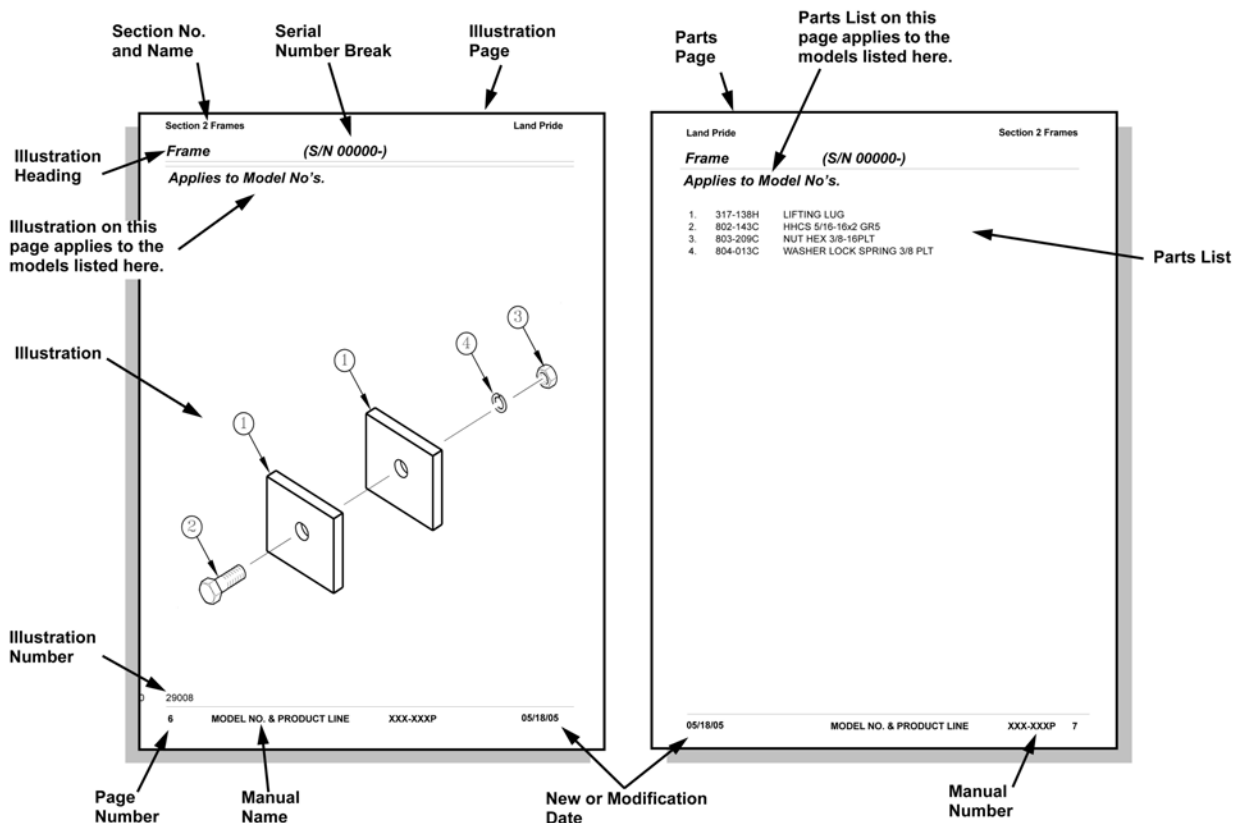
Manual Replacement Information

Replacement manuals are available. Refer to our website at www.landpride.com or e-mail us at lit@landpride.com for additional information. Our website continues to provide the most up-to-date manuals available.

Touch-up Paint

Repaint parts where paint is worn or scratched to prevent rust. Aerosol cans and touch-up bottles with brush applicator are available through your local dealer. Also available are quart and gallon size paints. Add QT or GL to end of the Aerosol P/N.

Land Pride color descriptions and part numbers are listed on the "Land Pride Touch-up Paints" page in the "Decals" section of this book. Color options vary by product.



General Information

Hardware Legend

AR	As Required
BLADE	Blade Bolt
C	Cap Screw
CP	Cotter Pin
CPHSSS	Cup Point Hex Socket Set Screw
CPSHSS	Cup Point Square Head Set Screw
CPSQHSS	Cup Point Square Head Set Screw
CRFCHMS3	Cross Recess Flat Countersunk Head Machine Screw
CRPHMS	Cross Recess Pan Head Machine Screw
CRPHTF	Cross Recess Pan Head Thread Forming
CRRHMS	Cross Recess Round Head Machine Screw
CRTHMS	Cross Recess Truss Head Machine Screw
CSNB	Countersunk Square Neck Bolt
FHMS	Flat Head Machine Screw
FTC	Full Thread Cap Screw
H	Hex Nut
HCLN	Hex Center Lock Nut
HFLCS	Hex Flange Lock Cap Screw
HFS	Hex Flange Screw
HFSLN	Hex Flange Serrated Lock Nut
HFSS	Hex Flange Serrated Screw
HHCS	Hex Head Cap Screw or Metric Bolt
HSBHCS	Hex Socket Button Head Cap Screw
HSFCHCS	Hex Socket Flat Countersunk Head Cap Screw
HSHCS	Hex Socket Head Cap Screw
HSSS	Hex Socket Head Screw
HTLN	Hex Top Lock Nut
HWHCS	Hex Washer Head Cap Screw

HWHMS	Hex Washer Head Machine Screw
HXBHCS	Hex Socket Button Head Cap Screw
J	Hex Jam Nut
JIC	37 Degree Tapered Thread
L	Helical Spring Lock Washer
LUG	Lug Bolt
NFC	National Fine Cap Screw
NPSM	National Pipe Straight Mechanical
NPTF	National Pipe Taper Fuel
P	Wide Plain Washer
PHMS	Pan Head Machine Screw
PLOW	Plow Bolt
RHMS	Round Head Machine Screw
RHSNB	Round Head Square Neck Bolt
SCREW LEVELING	Leveling Screw
SCREW THUMB	Thumb Screw
SCREW WELD	Weld Screw
SFCHMS	Slotted Flat Countersunk Head Machine Screw
SFHMS	Slotted Fillister Head Machine Screw
SP	Special
SP SCREW	Special Screw
SOHSS	Square Head Set Screw
SRHMS	Slotted Round Head Machine Screw
SSS	Socket Set Screw
STCS	Self Tapping Cap Screw
STHMS	Slotted Truss Head Machine Screw
WHEEL	Wheel Studs and Hub Long Bolts
WING	Wing Bolt

Replacement Hardware

The **Hardware Legend** above lists hardware abbreviations used in the parts list. All bolts and nuts are Grade 5 unless otherwise noted. The use of improper grades of hardware can result in personal injury, damage to equipment, or loss of property.

Colored Replacement Parts

Land Pride offers replacement parts in factory standard colors and also on select models in Green, Orange, Red and Blue. Because of the variety of colors available, special attention must be given to the part number to prevent ordering the wrong replacement part.

A suffix number corresponding to one of the colors below must be added at the end of Land Pride's part number when ordering a replacement part with that color.

81 Green 83 Red
82 Orange 84 Blue

For example, if you are ordering a replacement part with part number 555-555C and the part you need is red, then add the suffix 83 to the end of the number to make the part number read 555-555C83. Parts ordered without a suffix number will be supplied in factory standard colors.

Black Replacement Parts

Some parts are factory standard black and some must be special ordered black. If your part is special ordered black, a second part number with the additional suffix number 85 on the end will be available. In this situation you must order that part with the suffix number for it to be black. Parts that are factory standard black will not have the suffix number.

Part Number Service Coding

Within the parts list some part numbers are coded for revisions and interchangeability. See notations in revision column.

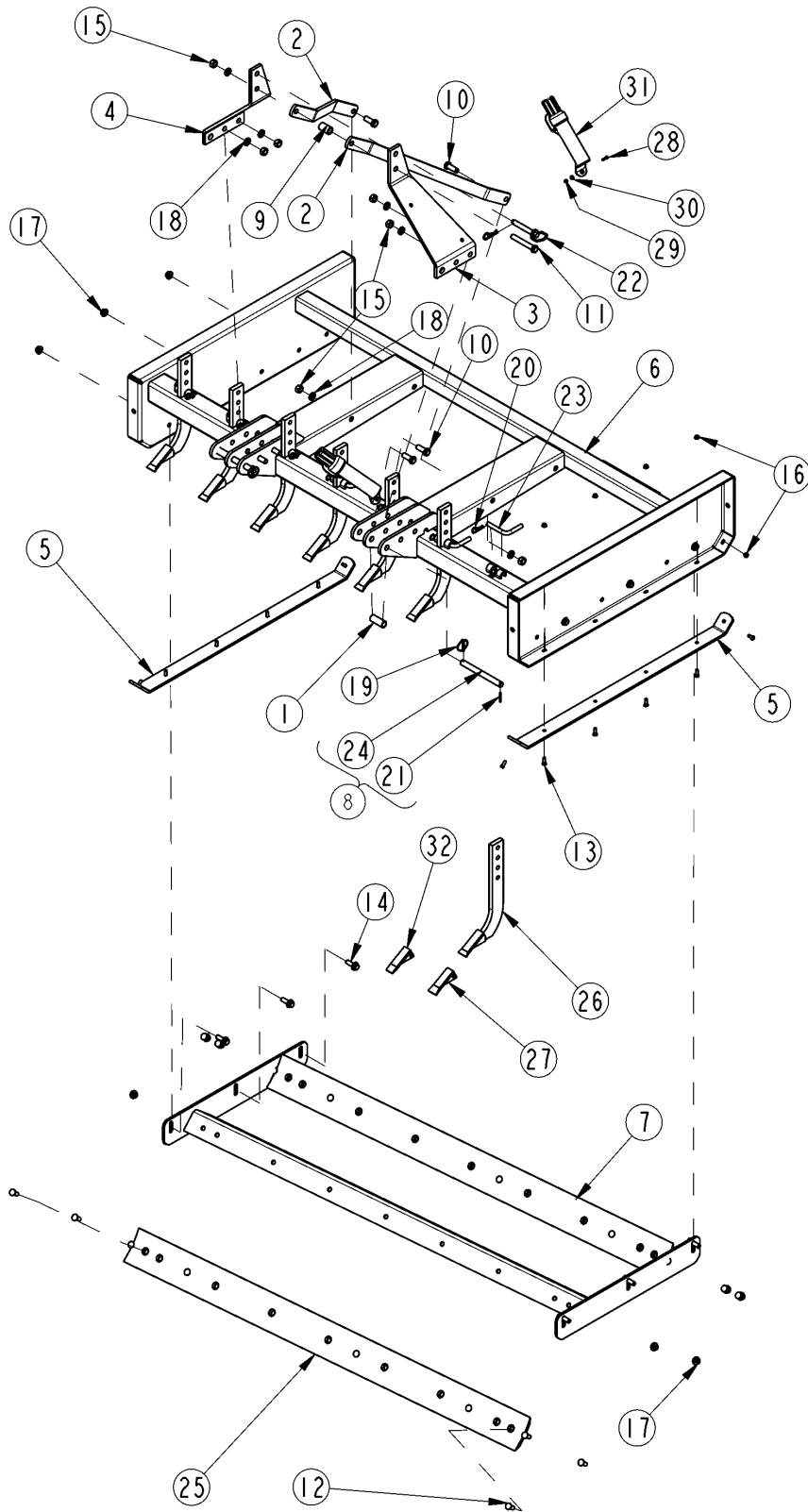
Serial Numbers

Always use the serial and model number when ordering parts. Refer to the Operator's Manual for serial number plate location.

- | | |
|----------------------|--|
| (S/N 20001+) | Includes serial numbers 20001 and above (to the latest number) |
| (S/N 10001 to 20000) | Includes serial numbers between and including 10001 and 20000 |
| (S/N 10000-) | Includes serial numbers 10000 and below (to the earliest number) |

Complete Assembly S/N 730054-

Applies to GS2572, GS2584, GS2596



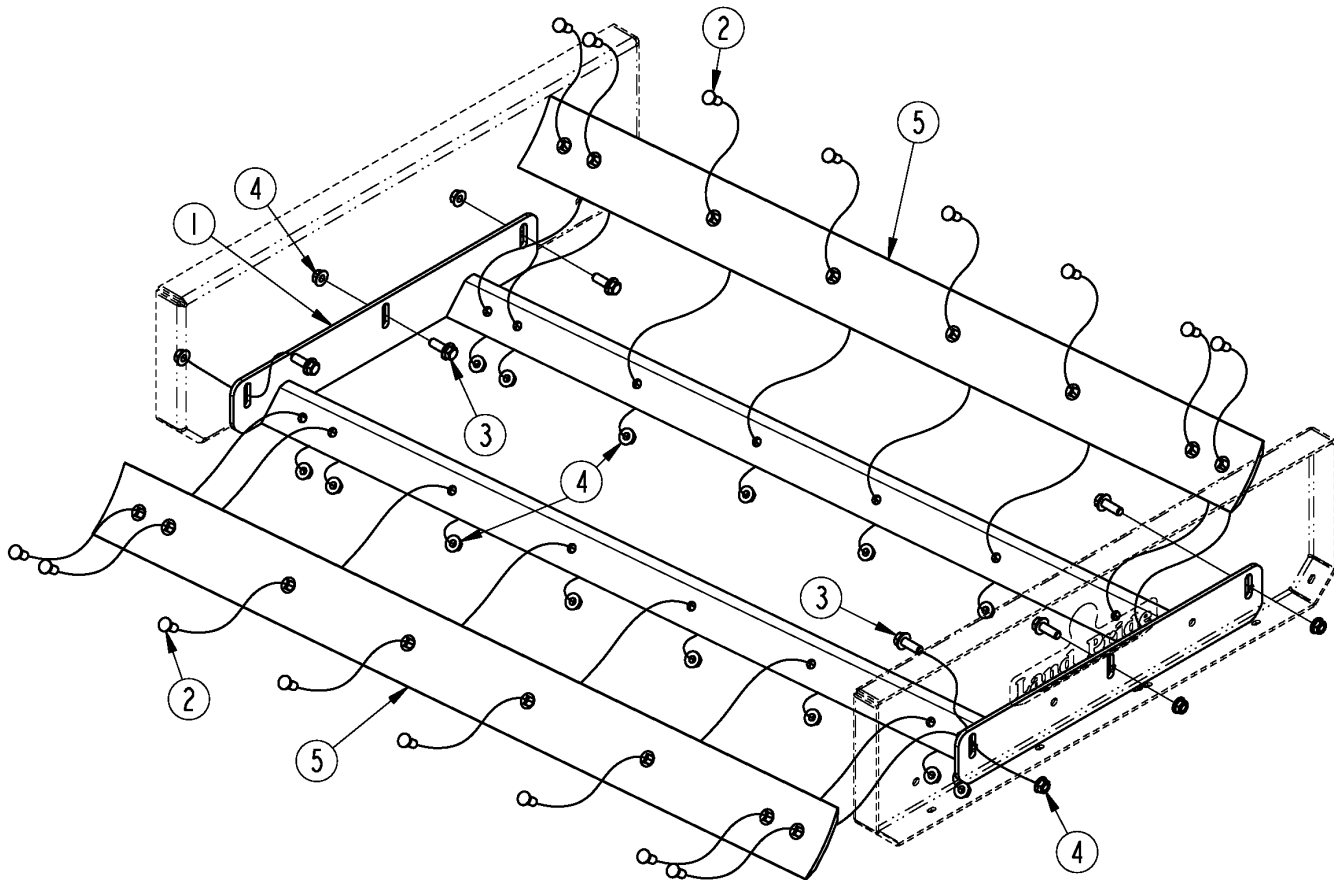
26651

Complete Assembly S/N 730054-**Applies to GS2572, GS2584, GS2596**

Ref	Part No.	Part Description	Comments	Revision
	dwg26651	Drawing Image Number		
1.	300-296D	BSH 1-1/8X7/8X2-3/4		
2.	303-084D	TOP HITCH REAR BRACE		
2.	303-084D82	TOP HITCH REAR BRACE ORANGE		
3.	303-085D	BB25 HEAVY LH HITCH PLATE		
3.	303-085D82	BB25 HVY LH HITCH PLATE ORANGE		
4.	303-086D	BB25 HEAVY RH HITCH PLATE		
4.	303-086D82	BB25 HVY RH HITCH PLATE ORANGE		
5.	303-168D	SHOE, HARDENED SKID		
6.	303-263H	WELDMENT, GS2584 BUCK FRAME		
6.	303-263H82	WELDMENT, GS2584 ORANGE FRAME		
6.	303-262H	WELDMENT, GS2596 BUCK FRAME		
6.	303-262H82	WELDMENT, GS2596 ORANGE FRAME		
7.	303-267H	WLDMNT, 84" DUAL BLADE CARRIER		
7.	303-267H82	WLDMNT, 84" DUAL BLADE CARRIER		
7.	303-266H	WLDMNT, 96" DUAL BLADE CARRIER		
7.	303-266H82	WLDMNT, 96" ORNG BLD CARRIER		
8.	305-071S	LWR HTCH PIN ASY 7/8DX8.25USBL		
9.	308-400D	SPACER 1 1/4OD X 25/32ID X 2LG		
10.	802-064C	HHCS 3/4-10X2 GR5		
11.	802-069C	HHCS 3/4-10X5 GR5		
12.	802-236C	PLOW 5/8-11X1 1/2 GR5		
13.	802-466C	PLOW 3/8-16X1 1/4 GR5		
14.	802-657C	HFS 5/8-11 X 1 3/4 GR8		
15.	803-027C	NUT HEX 3/4-10 PLT		
16.	803-209C	NUT FLANGE LOCK 3/8-16 PLT		
17.	803-263C	NUT HEX FLANGE LOCK 5/8-11 PLT		
18.	804-023C	WASHER LOCK SPRING 3/4 PLT		
19.	805-015C	PIN LINCH 5/16 X 1 3/4		
20.	805-032C	PIN HAIR COTTER .148 WIRE		
21.	805-041C	PIN ROLL 1/4X1 3/4		
22.	805-081C	PIN HITCH 3/4 X 4 3/8		
23.	805-197C	PIN BENT SHANK LOCK 5/8 OD		
24.	805-359C	PIN 7/8 OD X 8.25 USABLE		
25.	820-046C	GRADER BLADE 1/2 X 6 X 83 1/2		
25.	820-035C	GRADER BLADE 1/2 X 6 X 95 1/2		
26.	820-152C	SCARIFIER SHANK - 18 W/TIP		
27.	820-153C	SHANK TIP DIMPLE-ON WIDE FLARE	Optional Tip	
28.	802-224C	HHCS 1/4-20X1 1/4 GR5	S/N _____+	
29.	803-255C	NUT HEX NYLOCK 1/4-20	S/N _____+	
30.	804-007C	WASHER FLAT 1/4 SAE PLT	S/N _____+	
31.	816-504C	MANUAL STORAGE CONTAINER	S/N _____+	
32.	820-050C	SHANK TIP DIMPLE-ON NARROW	Standard Tip	

Cutting Blade Carrier Frame

Applies to GS2572, GS2584, GS2596



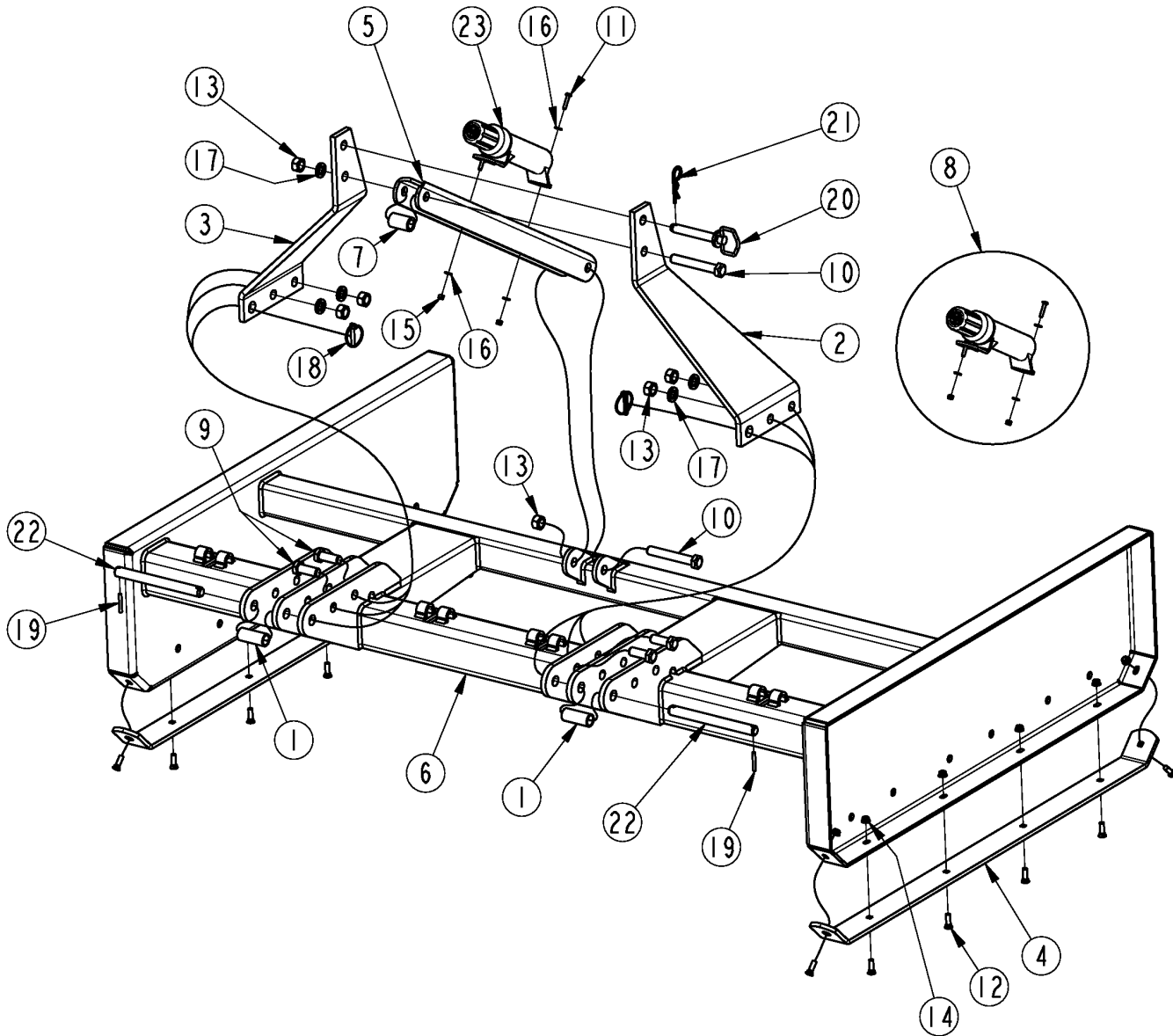
39382

Cutting Blade Carrier Frame**Applies to GS2572, GS2584, GS2596**

Ref	Part No.	Part Description	Comments	Revision
	Dwg 39382	Image No.		
1.	303-406H	WLDMNT, 72" BLD CARRIER	At S/N 815002+ this weldment was revised to accommodate for rear blade option	
1.	303-406H82	WLDMNT, 72" ORANGE BLD CARRIER	At S/N 815002+ this weldment was revised to accommodate for rear blade option	
1.	303-267H	WLDMNT, 84" BUCK BLD CARRIER	At S/N 815002+ this weldment was revised to accommodate for rear blade option	
1.	303-267H82	WLDMNT, 84" ORNG BLD CARRIER	At S/N 815002+ this weldment was revised to accommodate for rear blade option	
1.	303-266H	WLDMNT, 96" BUCK BLD CARRIER	At S/N 815002+ this weldment was revised to accommodate for rear blade option	
1.	303-266H82	WLDMNT, 96" ORNG BLD CARRIER	At S/N 815002+ this weldment was revised to accommodate for rear blade option	
2.	802-236C	PLOW 5/8-11X1 1/2 GR5		
3.	802-657C	HFS 5/8-11 X 1 3/4 GR8		
4.	803-304C	NUT HEX WHIZ 5/8-11 PLT	S/N 815206+	
4.	803-263C	NUT HEX FLANGE LOCK 5/8-11 PLT	S/N 815205-	
5.	820-043C	GRADER BLADE 1/2 X 6 X 71 1/2		
5.	820-046C	GRADER BLADE 1/2 X 6 X 83 1/2		
5.	820-035C	GRADER BLADE 1/2 X 6 X 95 1/2		

Main Frame & Hitch Components

Applies to GS2572, GS2584, GS2596



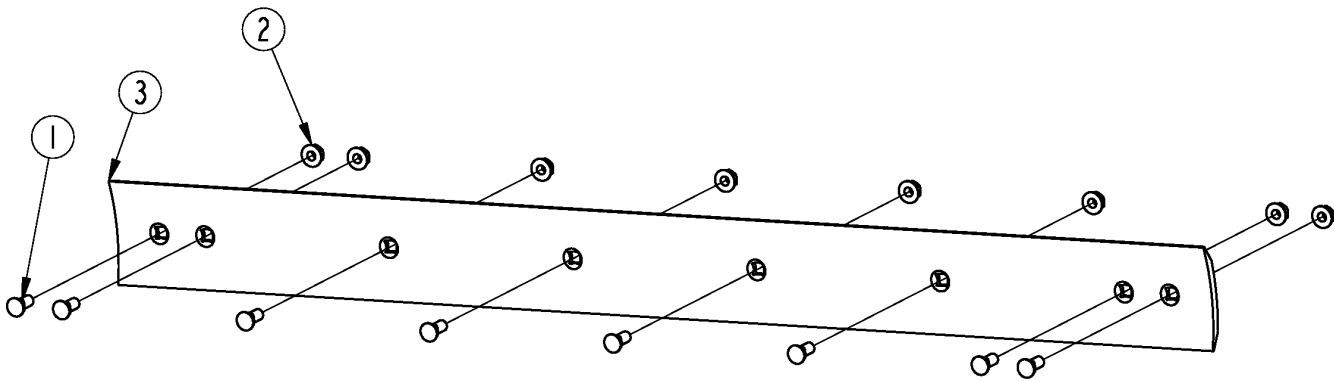
39377

Main Frame & Hitch Components**Applies to GS2572, GS2584, GS2596**

Ref	Part No.	Part Description	Comments	Revision
	Dwg 39377	Image No.		
1.	300-296D	BSH 1-1/8X7/8X2-3/4		
2.	303-085D	BB25 HEAVY LH HITCH PLATE		
2.	303-085D82	BB25 HVY LH HITCH PLATE ORANGE	Orange	
3.	303-086D	BB25 HEAVY RH HITCH PLATE		
3.	303-086D82	BB25 HVY RH HITCH PLATE ORANGE	Orange	
4.	303-168D	SHOE, HARDENED SKID		
5.	303-215D	CHANNEL, UPPER HITCH BRACE		
5.	303-215D82	CHANNEL, ORNG UPPR HITCH BRACE	Orange	
6.	303-459H	WELDMENT, GS2572 BUCK FRAME		
6.	303-459H82	WELDMENT, GS2572 ORANGE FRAME	Orange	
6.	303-263H	WELDMENT, GS2584 BUCK FRAME		
6.	303-263H82	WELDMENT, GS2584 ORANGE FRAME	Orange	
6.	303-262H	WELDMENT, GS2596 BUCK FRAME		
6.	303-262H82	WELDMENT, GS2596 ORANGE FRAME	Orange	
7.	308-400D	SPACER 1 1/4OD X 13/16ID X 2LG		
8.	326-095S	MANUAL CONTAINER KIT, 1 1/4		
9.	802-064C	HHCS 3/4-10X2 GR5		
10.	802-069C	HHCS 3/4-10X5 GR5		
11.	802-224C	HHCS 1/4-20X1 1/4 GR5		
12.	802-466C	PLOW 3/8-16X1 1/4 GR5		
13.	803-027C	NUT HEX 3/4-10 PLT		
14.	803-198C	NUT HEX WHIZ 3/8-16 PLT		
15.	803-255C	NUT HEX NYLOCK 1/4-20		
16.	804-007C	WASHER FLAT 1/4 SAE PLT		
17.	804-023C	WASHER LOCK SPRING 3/4 PLT		
18.	805-015C	PIN LINCH 5/16 X 1 3/4		
19.	805-041C	PIN ROLL 1/4X1 3/4		
20.	805-081C	PIN HTCH .75X4.25 USBL W/PIN		
21.	805-088C	PIN, HAIR COTTER 3/16 WIRE DIA		
22.	805-359C	PIN CLVS HDLS .88X8.25 USBL		
23.	816-504C	MANUAL STORAGE CONTAINER		

Rear Cutting Blades Option

Applies to GS2572, GS2584, GS2596



39384

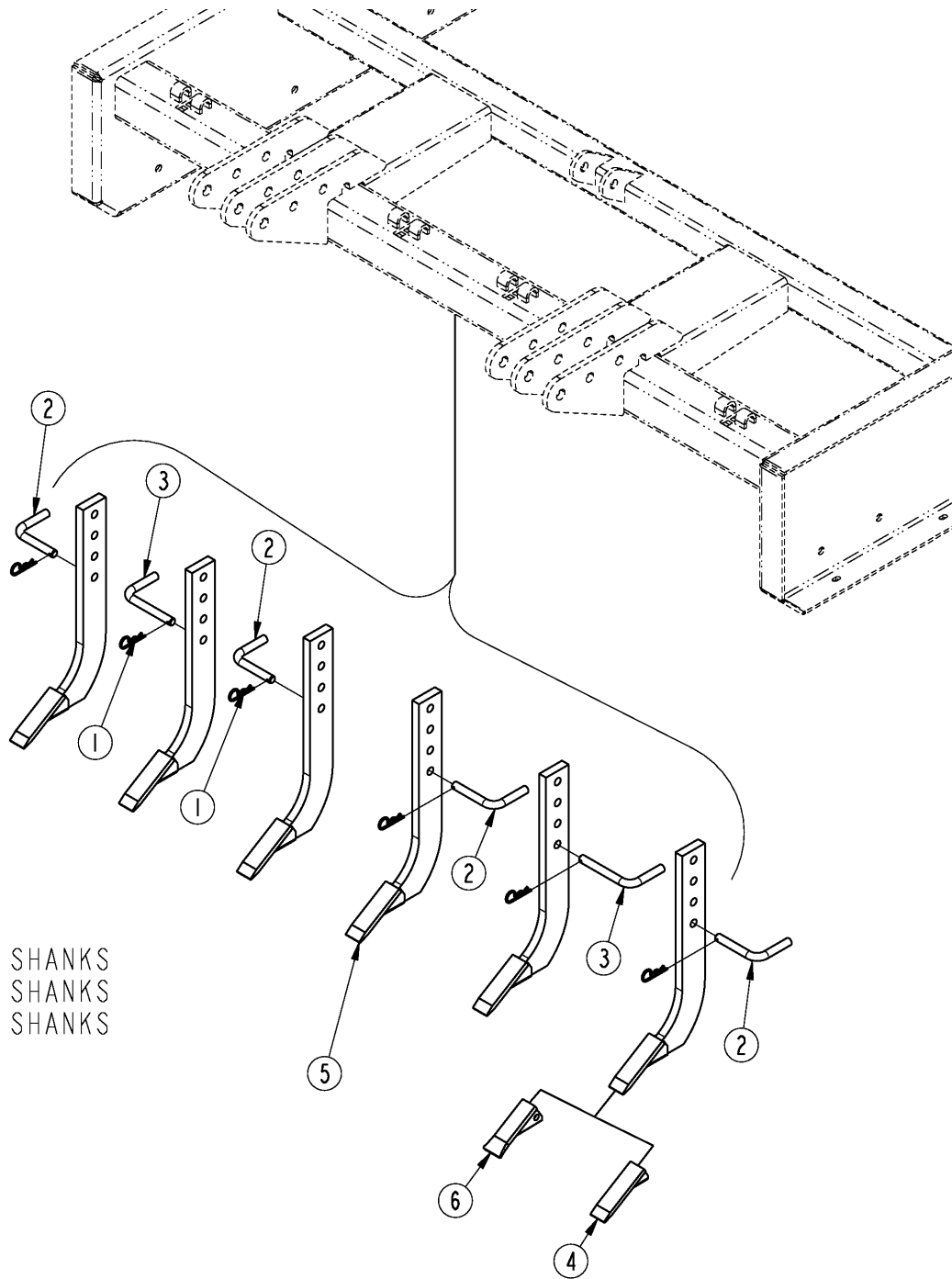
Rear Cutting Blades Option

Applies to GS2572, GS2584, GS2596

Ref	Part No.	Part Description	Comments	Revision
	Dwg 39384	Image No.		
	303-364A	72" GRADER BLADE KIT	GS2572	
	303-365A	84" GRADER BLADE KIT	GS2584	
	303-366A	96" GRADER BLADE KIT	GS2596	
		*		
1.	802-236C	PLOW 5/8-11X1 1/2 GR5		
2.	803-304C	NUT HEX WHIZ 5/8-11 PLT		
3.	820-043C	GRADER BLADE 1/2 X 6 X 71 1/2	GS2572	
3.	820-046C	GRADER BLADE 1/2 X 6 X 83 1/2	GS2584	
3.	820-035C	GRADER BLADE 1/2 X 6 X 95 1/2	GS2596	

Shank Option

Applies to GS2572, GS2584, GS2596



- GS2572 = 6 SHANKS
- GS2584 = 7 SHANKS
- GS2596 = 8 SHANKS

#3 PIN IS LONGER THAN #2 PIN AND USED ONLY NEXT TO THE 3 POINT LOWER HITCH PLATE AND ONLY ON THE GS2572 & GS2596

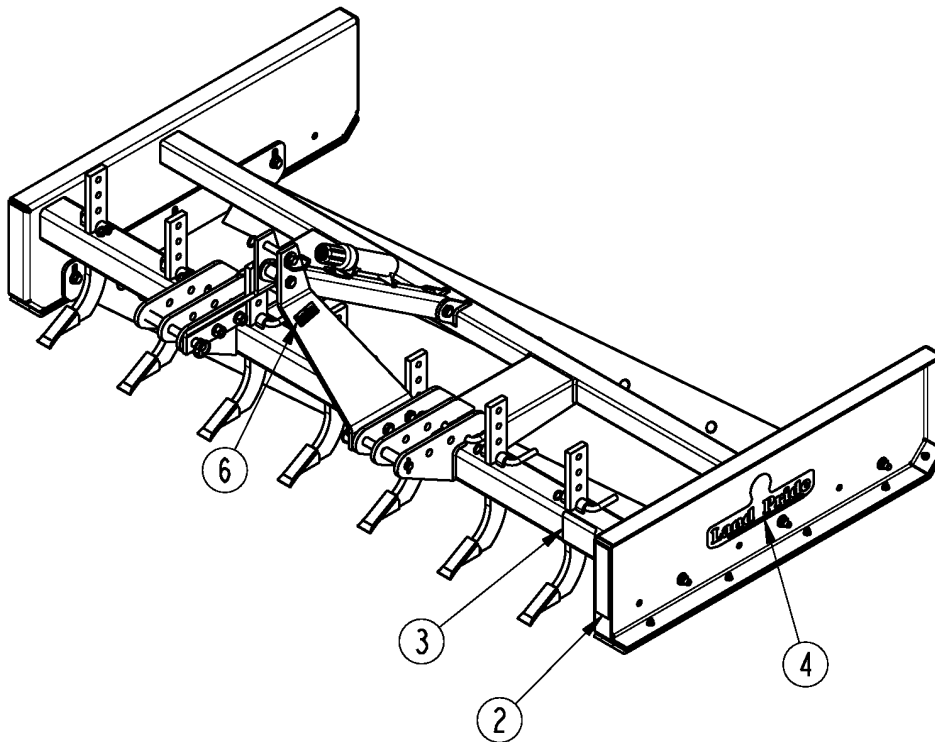
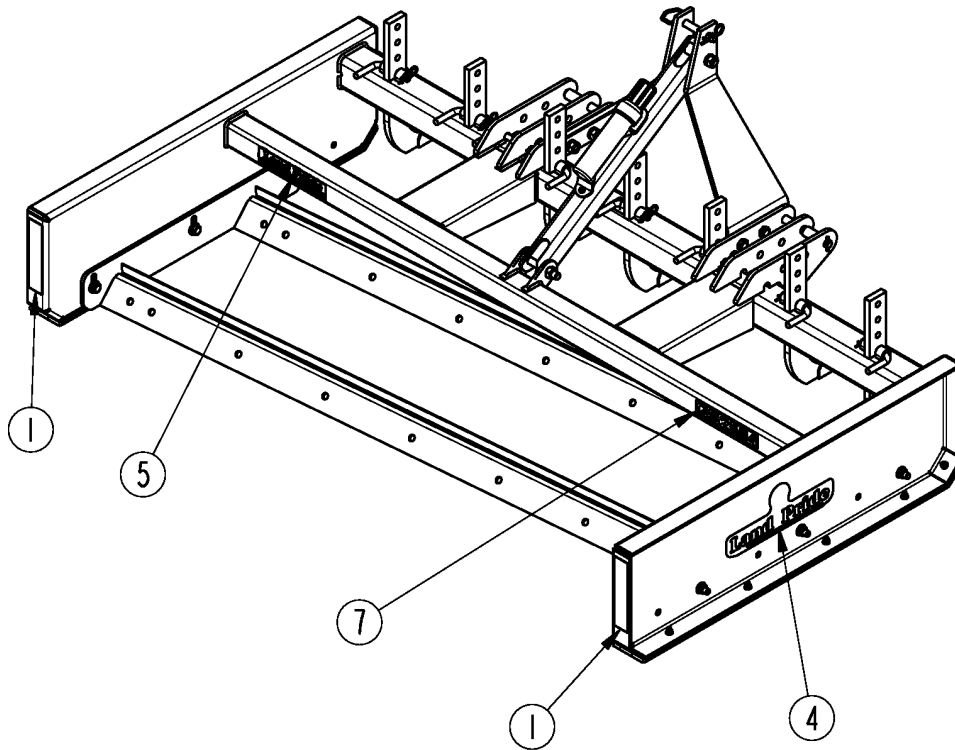
39383

Shank Option**Applies to GS2572, GS2584, GS2596**

Ref	Part No.	Part Description	Comments	Revision
	Dwg 39383	Image No.		
	303-462A	PACKAGE, GS2572 6 SHANK OPTION	GS2572 (6 SHANK)	
	303-261A	PACKAGE, GS2584 7 SHANK OPTION	GS2584 (7 SHANK)	
	303-260A	PACKAGE, GS2596 8 SHANK OPTION	GS2596 (8 SHANK)	
	*			
1.	805-032C	PIN HAIR COTTER .148 WIRE		
2.	805-197C	PIN BENT .63X3.09 USBL		
3.	805-495C	PIN BENT .63X4.09 USBL	S/N 803572+	
4.	820-050C	SHANK TIP DIMPLE-ON NARROW		
5.	820-152C	SCARIFIER SHANK - 18 W/TIP		
6.	820-153C	SHANK TIP DIMPLE-ON WIDE FLARE		

Decal Placement

Applies to GS2572, GS2584, GS2596



26652

Decal Placement**Applies to GS2572, GS2584, GS2596**

Ref	Part No.	Part Description	Comments	Revision
	Dwg 26652	Drawing Image Number		
1.	838-614C	DECAL REFLECTOR RED 2X9	GS2572, GS2584 & GS2596 (S/N 821964+)	
1.	818-230C	DECAL RED REFLECTOR	GS2572, GS2584 & GS2596 (S/N 821963-)	
2.	838-615C	DECAL REFLECTOR AMBER 2X9	GS2596 (S/N 821694+)	
2.	818-229C	DECAL AMBER REFLECTOR	GS2572, GS2584 & GS2596 (S/N 821693-)	
3.	818-267C	DECAL CAUTION - BOX SCRAPER		
4.	818-893C	RPBY 838-964C	Beige Unit	
4.	838-964C	DECAL LP 16" W/TREE BROWN/GOLD	Orange Unit	
5.	818-897C	RPBY 848-159C	Beige Unit	
5.	848-159C	DECAL LANDPRIDE 10" BROWN/GOLD	Orange Unit	
6.	838-517C	DECAL QUICK HITCH SYSTEM		
7.	858-675C	DECAL, GS2572 GOLD		
7.	858-676C	RPBY 858-675C	Obsolete	
7.	848-334C	DECAL, GS2584 GOLD		
7.	848-335C	RPBY 848-334C	Obsolete	
7.	848-336C	DECAL, GS2596 GOLD		
7.	848-337C	RPBY 848-336C	Obsolete	

Land Pride Touch-up Paints

Applies to GS2572, GS2584, GS2596

No diagram associated with this Parts List

Land Pride Touch-up Paints**Applies to GS2572, GS2584, GS2596**

Ref	Part No.	Part Description	Comments	Revision
1.	821-011C	LP BEIGE SPRAY CAN	Spray can	
1.	821-070C	GLOSS BLACK SPRAY CAN	Spray can	
1.	821-054C	MED. RED SPRAY TRCK/CTR	Spray can	
1.	821-058C	GREEN SPRAY CUTTERS	Spray can	
1.	821-066C	ORANGE SPRAY CAN	Spray can	
1.	821-067C	BLUE SPRAY CAN	Spray can	
1.	821-080C	PAINT ALUMINUM/ZINC SPRAY CAN	Spray can	
2.	821-011CTU	LP BEIGE TOUCH-UP 5OZ	Touch-up bottle with brush	
2.	821-070CTU	GLOSS BLACK TOUCH-UP 5OZ	Touch-up bottle with brush	
2.	821-054CTU	MED RED TOUCH-UP 5OZ	Touch-up bottle with brush	
2.	821-058CTU	GREEN TOUCH-UP 5OZ	Touch-up bottle with brush	
2.	821-066CTU	ORANGE TOUCH-UP 5OZ	Touch-up bottle with brush	
2.	821-067CTU	BLUE TOUCH-UP 5OZ	Touch-up bottle with brush	
2.	821-080CTU	PAINT ALUMINUM/ZINC TOUCH UP	Touch-up bottle with brush	
3.	821-011CQT	LP BEIGE QUART	Quart can	
3.	821-070CQT	GLOSS BLACK QUART	Quart can	
3.	821-054CQT	MED RED QUART	Quart can	
3.	821-058CQT	GREEN QUART	Quart can	
3.	821-066CQT	ORANGE QUART	Quart can	
3.	821-067CQT	BLUE QUART	Quart can	
3.	821-080CQT	PAINT ALUMINUM/ZINC QUART	Quart can	
4.	821-011CGL	LP BEIGE GALLON	Gallon can	
4.	821-070CGL	GLOSS BLACK GALLON	Gallon can	
4.	821-054CGL	MED RED GALLON	Gallon can	
4.	821-058CGL	GREEN GALLON	Gallon can	
4.	821-066CGL	ORANGE GALLON	Gallon can	
4.	821-067CGL	BLUE GALLON	Gallon can	
4.	821-080CGL	PAINT ALUMINUM/ZINC GALLON	Gallon can	



Part Number Index

The Part Number Index is a numeric index of all part numbers included in this manual. The index shows what page(s) the part is used on.

Part Number	Page	Part Number	Page
*	13, 15	821-054C	19
300-296D	7, 11	821-054CGL	19
303-084D	7	821-054CQT	19
303-084D82	7	821-054CTU	19
303-085D	7, 11	821-058C	19
303-085D82	7, 11	821-058CGL	19
303-086D	7, 11	821-058CQT	19
303-086D82	7, 11	821-058CTU	19
303-168D	7, 11	821-066C	19
303-215D	11	821-066CGL	19
303-215D82	11	821-066CQT	19
303-260A	15	821-066CTU	19
303-261A	15	821-067C	19
303-262H	7, 11	821-067CGL	19
303-262H82	7, 11	821-067CQT	19
303-263H	7, 11	821-067CTU	19
303-263H82	7, 11	821-070C	19
303-266H	7, 9	821-070CGL	19
303-266H82	7, 9	821-070CQT	19
303-267H	7, 9	821-070CTU	19
303-267H82	7, 9	821-080C	19
303-364A	13	821-080CGL	19
303-365A	13	821-080CQT	19
303-366A	13	821-080CTU	19
303-406H	9	838-517C	17
303-406H82	9	838-614C	17
303-459H	11	838-615C	17
303-459H82	11	838-964C	17
303-462A	15	848-159C	17
305-071S	7	848-334C	17
308-400D	7, 11	848-335C	17
326-095S	11	848-336C	17
802-064C	7, 11	848-337C	17
802-069C	7, 11	858-675C	17
802-224C	7, 11	858-676C	17
802-236C	7, 9, 13	Dwg 26652	17
802-466C	7, 11	Dwg 39377	11
802-657C	7, 9	Dwg 39382	9
803-027C	7, 11	Dwg 39383	15
803-198C	11	Dwg 39384	13
803-209C	7	dwg26651	7
803-255C	7, 11		
803-263C	7, 9		
803-304C	9, 13		
804-007C	7, 11		
804-023C	7, 11		
805-015C	7, 11		
805-032C	7, 15		
805-041C	7, 11		
805-081C	7, 11		
805-088C	11		
805-197C	7, 15		
805-359C	7, 11		
805-495C	15		
816-504C	7, 11		
818-229C	17		
818-230C	17		
818-267C	17		
818-893C	17		
818-897C	17		
820-035C	7, 9, 13		
820-043C	9, 13		
820-046C	7, 9, 13		
820-050C	7, 15		
820-152C	7, 15		
820-153C	7, 15		
821-011C	19		
821-011CGL	19		
821-011CQT	19		
821-011CTU	19		

This Page Intentionally Left Blank



Great Plains Manufacturing, Inc.

Corporate Office: P.O. Box 5060
Salina, Kansas 67402-5060 USA

www.landpride.com
