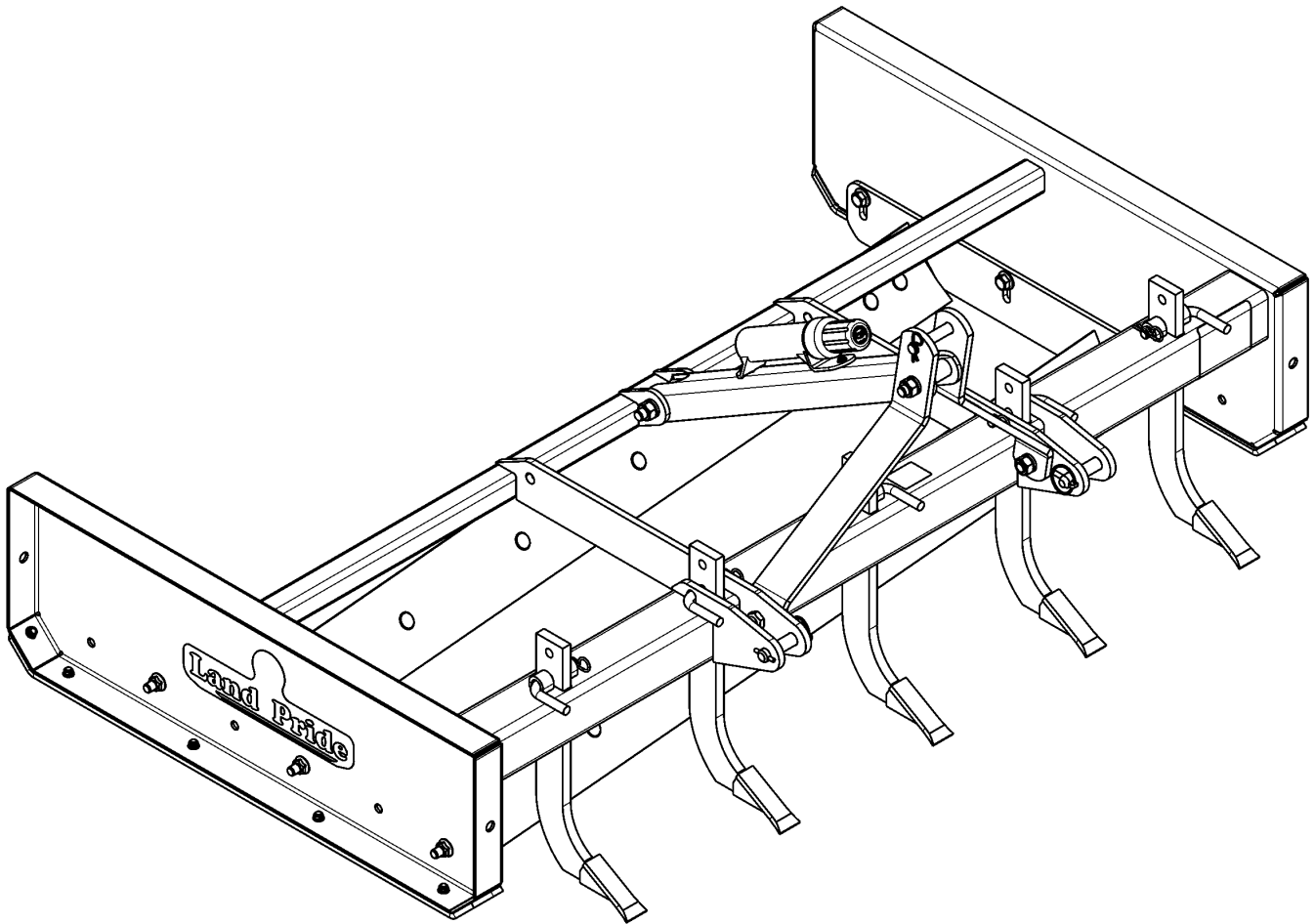


# Grading Scrapers

**GS1548, GS1560 & GS1572**



25888

## **303-230P Parts Manual**



Read the Operator's Manual entirely. When you see this symbol, the subsequent instructions and warnings are serious - follow without exception. Your life and the lives of others depend on it!

© Copyright 2018 Printed 07/10/18

Cover photo may show optional equipment not supplied with standard unit.





# Table of Contents

---

<b>Section 1: Introduction.....</b>	<b>4</b>
Using This Manual.....	4
Manual Replacement Information.....	4
Manual Revisions.....	4
Touch-up Paint.....	4
Hardware Legend.....	5
Replacement Hardware.....	5
Serial Numbers.....	5
Part Number Service Coding.....	5
<b>Section 2: Frame.....</b>	<b>6</b>
Complete Assembly S/N 730054-.....	6
Complete Assembly S/N 730055+.....	8
<b>Section 3: Decals.....</b>	<b>11</b>
Decal Placement.....	12
Land Pride Touch-up Paints.....	14
<b>Section 4: Options &amp; Accessories.....</b>	<b>16</b>
Rear Grader Blade Option.....	16
<b>Part Number Index.....</b>	<b>18</b>

© Copyright 2018. All rights reserved.

Land Pride provides this publication “as is” without warranty of any kind, either expressed or implied. While every precaution has been taken in the preparation of this manual, Land Pride assumes no responsibility for errors or omissions. Neither is any liability assumed for damages resulting from the use of the information contained herein. Land Pride reserves the right to revise and improve its products as it sees fit. This publication describes the state of this product at the time of its publication, and may not reflect the product in the future. The illustrations in this manual are not intended for safe and proper assembly or disassembly of equipment. The illustrations are intended for ordering parts only.

Land Pride is registered trademark.

All other brands and product names are trademarks or registered trademarks of their respective holders.

*Printed in the United States of America.*



## Alphabetized Table of Contents

---

<b>C</b>	
	Complete Assembly S/N 730054-.....6
	Complete Assembly S/N 730055+.....8
<b>D</b>	
	Decal Placement.....12
<b>L</b>	
	Land Pride Touch-up Paints.....14
<b>R</b>	
	Rear Grader Blade Option.....16

# General Information

## Using This Manual

This manual is divided into sections. The first section contains General Information. The remaining sections divide the machine into segments (i.e. Frames, Drives, Hydraulics, etc.) which illustrate and list all parts. A Parts Number Index is located at the back of the book.

The Land Pride parts in this manual are specially designed for this machine and should be replaced with Land Pride parts only.

The information in this manual is current at time of printing. Some parts may change to assure top performance.

Right-hand and left-hand as used in this manual are determined by facing the direction the machine will travel while in use.

Below is an example of two facing pages from a parts manual. Familiarize yourself with the type of information contained on these pages.

## Manual Replacement Information

Replacement manuals are available. Refer to our website at [www.landpride.com](http://www.landpride.com) or e-mail us at [lit@landpride.com](mailto:lit@landpride.com) for additional information. Our website continues to provide the most up-to-date manuals available.

## Touch-up Paint

Repaint parts where paint is worn or scratched to prevent rust. Aerosol cans and touch-up bottles with brush applicator are available through your local dealer. Also available are quart and gallon size paints. Add QT or GL to end of the Aerosol P/N.

Land Pride color descriptions and part numbers are listed on the "Land Pride Touch-up Paints" page in the "Decals" section of this book. Color options vary by product.



## General Information

### Hardware Legend

<b>AR</b>	As Required
<b>BLADE</b>	Blade Bolt
<b>C</b>	Cap Screw
<b>CP</b>	Cotter Pin
<b>CPHSSS</b>	Cup Point Hex Socket Set Screw
<b>CPSHSS</b>	Cup Point Square Head Set Screw
<b>CPSQHSS</b>	Cup Point Square Head Set Screw
<b>CRFCHMS3</b>	Cross Recess Flat Countersunk Head Machine Screw
<b>CRPHMS</b>	Cross Recess Pan Head Machine Screw
<b>CRPHTF</b>	Cross Recess Pan Head Thread Forming
<b>CRRHMS</b>	Cross Recess Round Head Machine Screw
<b>CRTHMS</b>	Cross Recess Truss Head Machine Screw
<b>CSNB</b>	Countersunk Square Neck Bolt
<b>FHMS</b>	Flat Head Machine Screw
<b>FTC</b>	Full Thread Cap Screw
<b>H</b>	Hex Nut
<b>HCLN</b>	Hex Center Lock Nut
<b>HFLCS</b>	Hex Flange Lock Cap Screw
<b>HFS</b>	Hex Flange Screw
<b>HFSLN</b>	Hex Flange Serrated Lock Nut
<b>HFSS</b>	Hex Flange Serrated Screw
<b>HHCS</b>	Hex Head Cap Screw or Metric Bolt
<b>HSBHCS</b>	Hex Socket Button Head Cap Screw
<b>HSFCHCS</b>	Hex Socket Flat Countersunk Head Cap Screw
<b>HSHCS</b>	Hex Socket Head Cap Screw
<b>HSSS</b>	Hex Socket Head Screw
<b>HTLN</b>	Hex Top Lock Nut
<b>HWHCS</b>	Hex Washer Head Cap Screw

<b>HWHMS</b>	Hex Washer Head Machine Screw
<b>HXBHCS</b>	Hex Socket Button Head Cap Screw
<b>J</b>	Hex Jam Nut
<b>JIC</b>	37 Degree Tapered Thread
<b>L</b>	Helical Spring Lock Washer
<b>LUG</b>	Lug Bolt
<b>NFC</b>	National Fine Cap Screw
<b>NPSM</b>	National Pipe Straight Mechanical
<b>NPTF</b>	National Pipe Taper Fuel
<b>P</b>	Wide Plain Washer
<b>PHMS</b>	Pan Head Machine Screw
<b>PLOW</b>	Plow Bolt
<b>RHMS</b>	Round Head Machine Screw
<b>RHSNB</b>	Round Head Square Neck Bolt
<b>SCREW LEVELING</b>	Leveling Screw
<b>SCREW THUMB</b>	Thumb Screw
<b>SCREW WELD</b>	Weld Screw
<b>SFCHMS</b>	Slotted Flat Countersunk Head Machine Screw
<b>SFHMS</b>	Slotted Fillister Head Machine Screw
<b>SP</b>	Special
<b>SP SCREW</b>	Special Screw
<b>SOHSS</b>	Square Head Set Screw
<b>SRHMS</b>	Slotted Round Head Machine Screw
<b>SSS</b>	Socket Set Screw
<b>STCS</b>	Self Tapping Cap Screw
<b>STHMS</b>	Slotted Truss Head Machine Screw
<b>WHEEL</b>	Wheel Studs and Hub Long Bolts
<b>WING</b>	Wing Bolt

### Replacement Hardware

The **Hardware Legend** above lists hardware abbreviations used in the parts list. All bolts and nuts are Grade 5 unless otherwise noted. The use of improper grades of hardware can result in personal injury, damage to equipment, or loss of property.

### Colored Replacement Parts

Land Pride offers replacement parts in factory standard colors and also on select models in Green, Orange, Red and Blue. Because of the variety of colors available, special attention must be given to the part number to prevent ordering the wrong replacement part.

A suffix number corresponding to one of the colors below must be added at the end of Land Pride's part number when ordering a replacement part with that color.

**81 . . . . . Green      83 . . . . . Red**  
**82 . . . . . Orange    84 . . . . . Blue**

For example, if you are ordering a replacement part with part number 555-555C and the part you need is red, then add the suffix 83 to the end of the number to make the part number read 555-555C83. Parts ordered without a suffix number will be supplied in factory standard colors.

### Black Replacement Parts

Some parts are factory standard black and some must be special ordered black. If your part is special ordered black, a second part number with the additional suffix number 85 on the end will be available. In this situation you must order that part with the suffix number for it to be black. Parts that are factory standard black will not have the suffix number.

### Part Number Service Coding

Within the parts list some part numbers are coded for revisions and interchangeability. See notations in revision column.

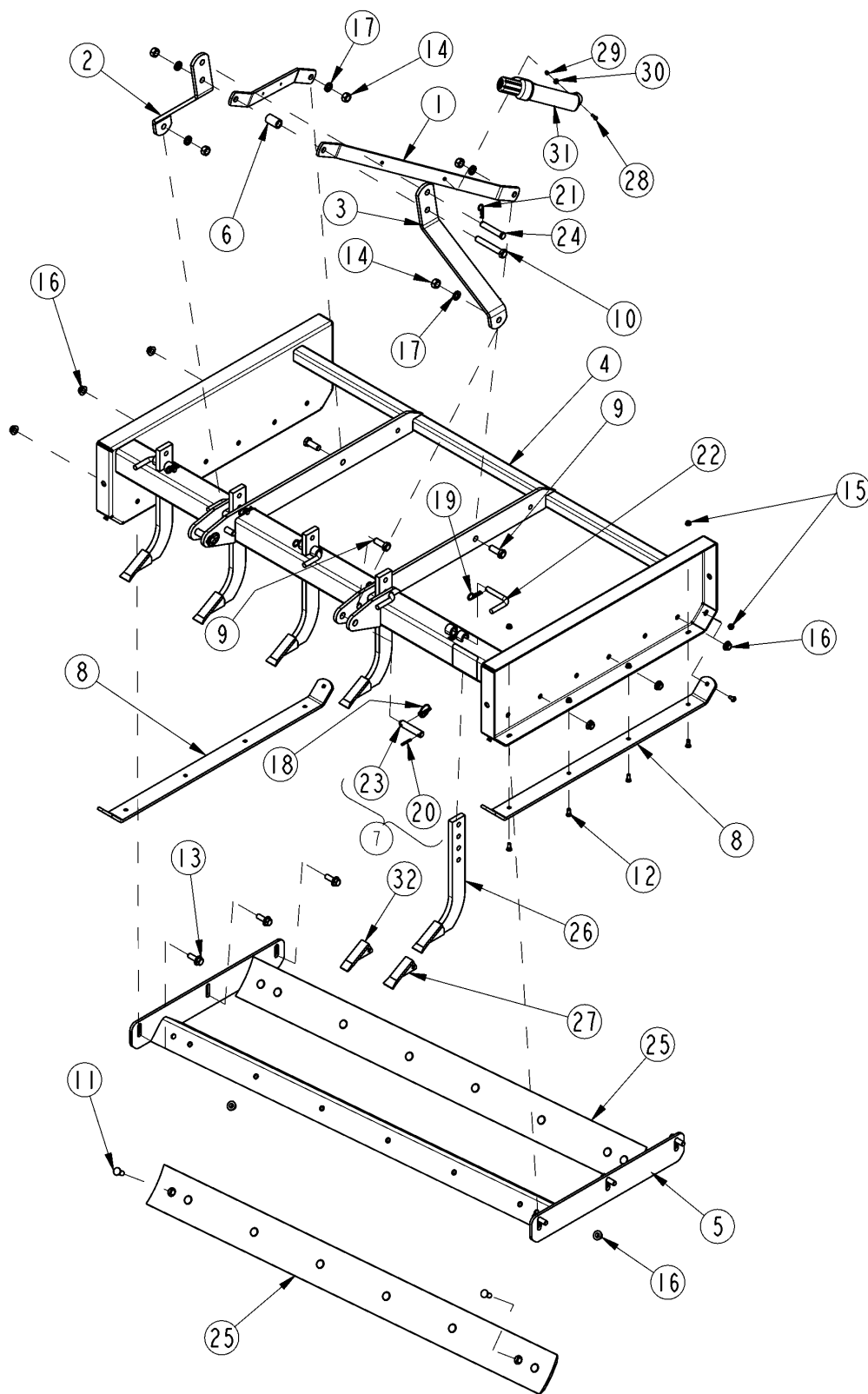
### Serial Numbers

Always use the serial and model number when ordering parts. Refer to the Operator's Manual for serial number plate location.

- (S/N 20001+)                      Includes serial numbers 20001 and above (to the latest number)
- (S/N 10001 to 20000)           Includes serial numbers between and including 10001 and 20000
- (S/N 10000-)                      Includes serial numbers 10000 and below (to the earliest number)

**Complete Assembly S/N 730054-**

Applies to GS1548, GS1560, GS1572



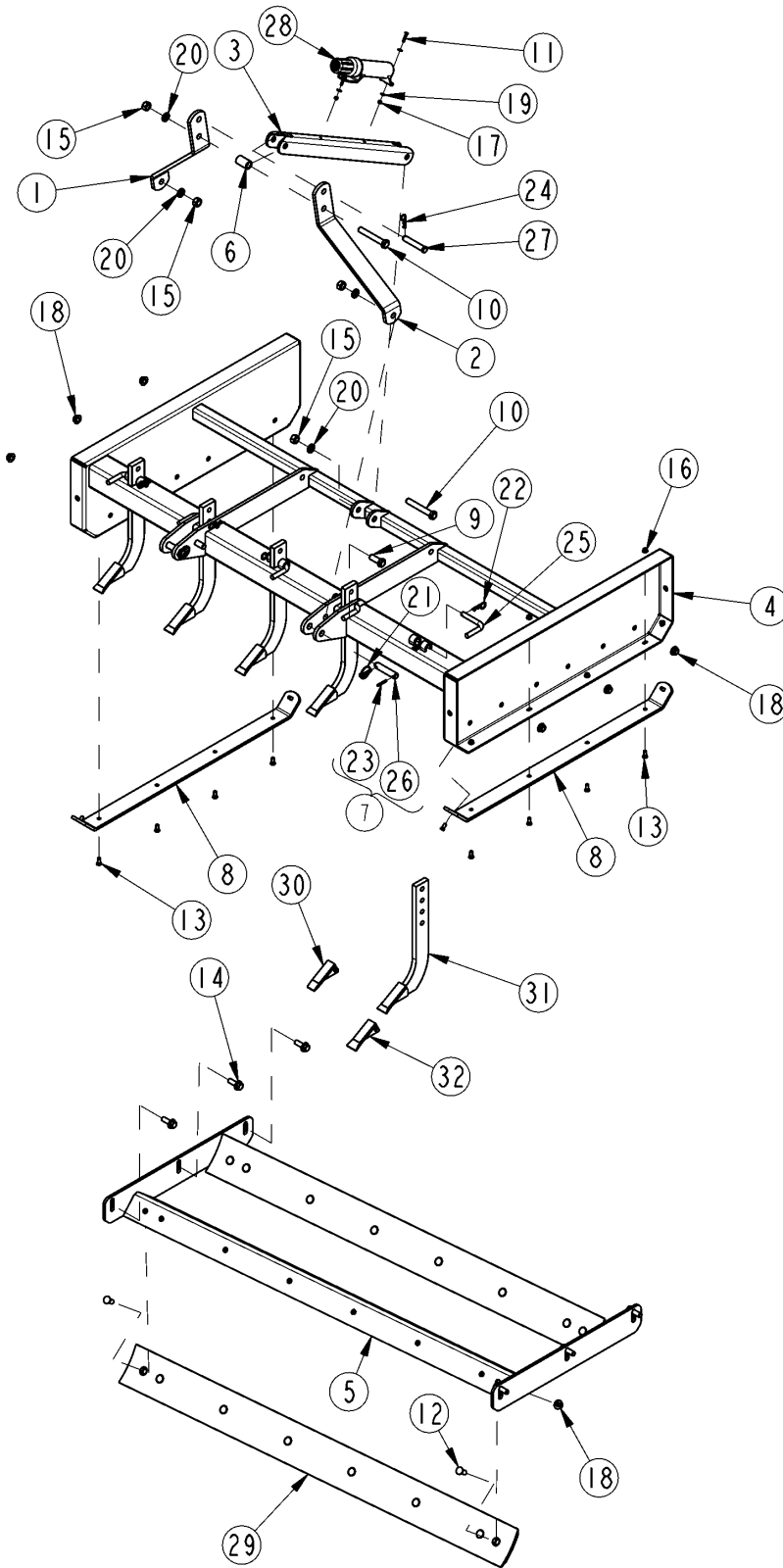
25906

**Complete Assembly S/N 730054-****Applies to GS1548, GS1560, GS1572**

Ref	Part No.	Part Description	Comments	Revision
	Dwg 25906	Drawing Image Number		
1.	303-121D	RPBY 303-084D		
1.	303-121D82	RPBY 303-084D ORANGE		
2.	303-122D	HITCH TOP RH STRAP		
2.	303-122D82	HITCH TOP RH STRAP ORANGE		
3.	303-123D	HITCH TOP LH STRAP		
3.	303-123D82	HITCH TOP LH STRAP ORANGE		
4.	N/A	WELDMNT, GS1572 FRAME		
4.	N/A	WELDMNT, GS1560 FRAME		
4.	N/A	WELDMNT, GS1548 FRAME		
5.	303-223H	WLDMNT, 72" DUAL BLADE CARRIER		
5.	303-223H82	WLDMNT, 72" DUAL BLADE ORANGE		
5.	303-233H	WLDMNT, 60" DUAL BLADE CARRIER		
5.	303-233H82	WLDMNT, 60" DUAL BLADE ORANGE		
5.	303-235H	WLDMNT, 48" DUAL BLADE CARRIER		
5.	303-235H82	WLDMNT, 48" DUAL BLADE ORANGE		
6.	308-400D	SPACER 1 1/4OD X 25/32ID X 2LG		
7.	310-020S	LOWER HITCH PIN		
8.	318-441D	SKID SHOE		
9.	802-064C	HHCS 3/4-10X2 GR5		
10.	802-069C	HHCS 3/4-10X5 GR5		
11.	802-236C	PLOW 5/8-11X1 1/2 GR5		
12.	802-603C	PLOW 3/8-16X1 GR5		
13.	802-657C	HFS 5/8-11 X 1 3/4 GR8		
14.	803-027C	NUT HEX 3/4-10 PLT		
15.	803-209C	NUT FLANGE LOCK 3/8-16 PLT		
16.	803-263C	NUT HEX FLANGE LOCK 5/8-11 PLT		
17.	804-023C	WASHER LOCK SPRING 3/4 PLT		
18.	805-015C	PIN LINCH 5/16 X 1 3/4		
19.	805-032C	PIN HAIR COTTER .148 WIRE		
20.	805-041C	PIN ROLL 1/4X1 3/4		
21.	805-143C	PIN HAIR COTTER .120 PLT		
22.	805-197C	PIN BENT SHANK LOCK 5/8 OD		
23.	805-198C	PIN LOWER HITCH 7/8X3 1/16USBL		
24.	805-228C	PIN CLVS .75X3.94 USBL		
25.	820-043C	GRADER BLADE 1/2 X 6 X 71 1/2		
25.	820-041C	GRADER BLADE 1/2 X 6 X 59 1/2		
25.	820-039C	GRADER BLADE 1/2 X 6 X 47 1/2		
26.	820-152C	SCARIFIER SHANK - 18 W/TIP	Optional	
27.	820-153C	SHANK TIP DIMPLE-ON WIDE FLARE	Optional Tip	
28.	802-224C	HHCS 1/4-20X1 1/4 GR5	S/N _____+	
29.	803-255C	NUT HEX NYLOCK 1/4-20	S/N _____+	
30.	804-007C	WASHER FLAT 1/4 SAE PLT	S/N _____+	
31.	816-504C	MANUAL STORAGE CONTAINER	S/N _____+	
32.	820-050C	SHANK TIP DIMPLE-ON NARROW	Standard Tip	

**Complete Assembly S/N 730055+**

Applies to GS1548, GS1560, GS1572



33337



**Complete Assembly S/N 730055+****Applies to GS1548, GS1560, GS1572**

Ref	Part No.	Part Description	Comments	Revision
	Dwg 33337	Drawing Image Number		
1.	303-122D	HITCH TOP RH STRAP		
1.	303-122D82	HITCH TOP RH STRAP ORANGE		
2.	303-123D	HITCH TOP LH STRAP		
2.	303-123D82	HITCH TOP LH STRAP ORANGE		
3.	303-215D	CHANNEL, UPPER HITCH BRACE		
3.	303-215D82	CHANNEL, ORNG UPGR HITCH BRACE		
4.	303-221H	WELDMNT, GS1572 BUCK FRAME		
4.	303-221H82	WELDMNT, GS1572 ORANGE FRAME		
4.	303-232H	WELDMNT, GS1560 BUCK FRAME		
4.	303-232H82	WELDMNT, GS1560 ORANGE FRAME		
4.	303-234H	WELDMNT, GS1548 BUCK FRAME		
4.	303-234H82	WELDMNT, GS1548 ORANGE FRAME		
5.	303-223H	WELDMNT, 72" DUAL BLADE CARRIER	At S/N 815002+ this weldment was revised to accommodate for rear blade option	
5.	303-223H82	WELDMNT, 72" DUAL BLADE ORANGE	At S/N 815002+ this weldment was revised to accommodate for rear blade option	
5.	303-233H	WELDMNT, 60" DUAL BLADE CARRIER	At S/N 815002+ this weldment was revised to accommodate for rear blade option	
5.	303-233H82	WELDMNT, 60" DUAL BLADE ORANGE	At S/N 815002+ this weldment was revised to accommodate for rear blade option	
5.	303-235H	WELDMNT, 48" DUAL BLADE CARRIER	At S/N 815002+ this weldment was revised to accommodate for rear blade option	
5.	303-235H82	WELDMNT, 48" DUAL BLADE ORANGE	At S/N 815002+ this weldment was revised to accommodate for rear blade option	
6.	308-400D	SPACER 1 1/4OD X 13/16ID X 2LG		
7.	310-020S	LOWER HITCH PIN		
8.	318-441D	SKID SHOE		
9.	802-064C	HHCS 3/4-10X2 GR5		
10.	802-069C	HHCS 3/4-10X5 GR5		
11.	802-224C	HHCS 1/4-20X1 1/4 GR5		
12.	802-236C	PLOW 5/8-11X1 1/2 GR5		
13.	802-603C	PLOW 3/8-16X1 GR5		
14.	802-657C	HFS 5/8-11 X 1 3/4 GR8		
15.	803-027C	NUT HEX 3/4-10 PLT		
16.	803-198C	NUT HEX WHIZ 3/8-16 PLT		
17.	803-255C	NUT HEX NYLOCK 1/4-20		
18.	803-304C	NUT HEX WHIZ 5/8-11 PLT	S/N 815206+	
18.	803-263C	NUT HEX FLANGE LOCK 5/8-11 PLT	S/N 815205-	
19.	804-007C	WASHER FLAT 1/4 SAE PLT		
20.	804-023C	WASHER LOCK SPRING 3/4 PLT		
21.	805-015C	PIN LINCX 5/16 X 1 3/4		
22.	805-032C	PIN HAIR COTTER .148 WIRE		
23.	805-041C	PIN ROLL 1/4X1 3/4		
24.	805-143C	PIN HAIR COTTER .120 PLT		
25.	805-197C	PIN BENT SHANK LOCK 5/8 OD		
26.	805-198C	PIN LOWER HITCH 7/8X3 1/16USBL		
27.	805-228C	PIN CLEVIS 3/4 X 3 3/4 USEABLE		
28.	816-504C	MANUAL STORAGE CONTAINER		
29.	820-043C	GRADER BLADE 1/2 X 6 X 71 1/2		
29.	820-041C	GRADER BLADE 1/2 X 6 X 59 1/2		
29.	820-039C	GRADER BLADE 1/2 X 6 X 47 1/2		
30.	820-050C	SHANK TIP DIMPLE-ON NARROW	Standard Tip	

**Complete Assembly S/N 730055+ (continued)**

---

**Applies to GS1548, GS1560, GS1572**

<b>Ref</b>	<b>Part No.</b>	<b>Part Description</b>	<b>Comments</b>	<b>Revision</b>
31.	820-152C	SCARIFIER SHANK - 18 W/TIP	Optional	
32.	820-153C	SHANK TIP DIMPLE-ON WIDE FLARE	Optional Tip	

**Complete Assembly S/N 730055+ (continued)**

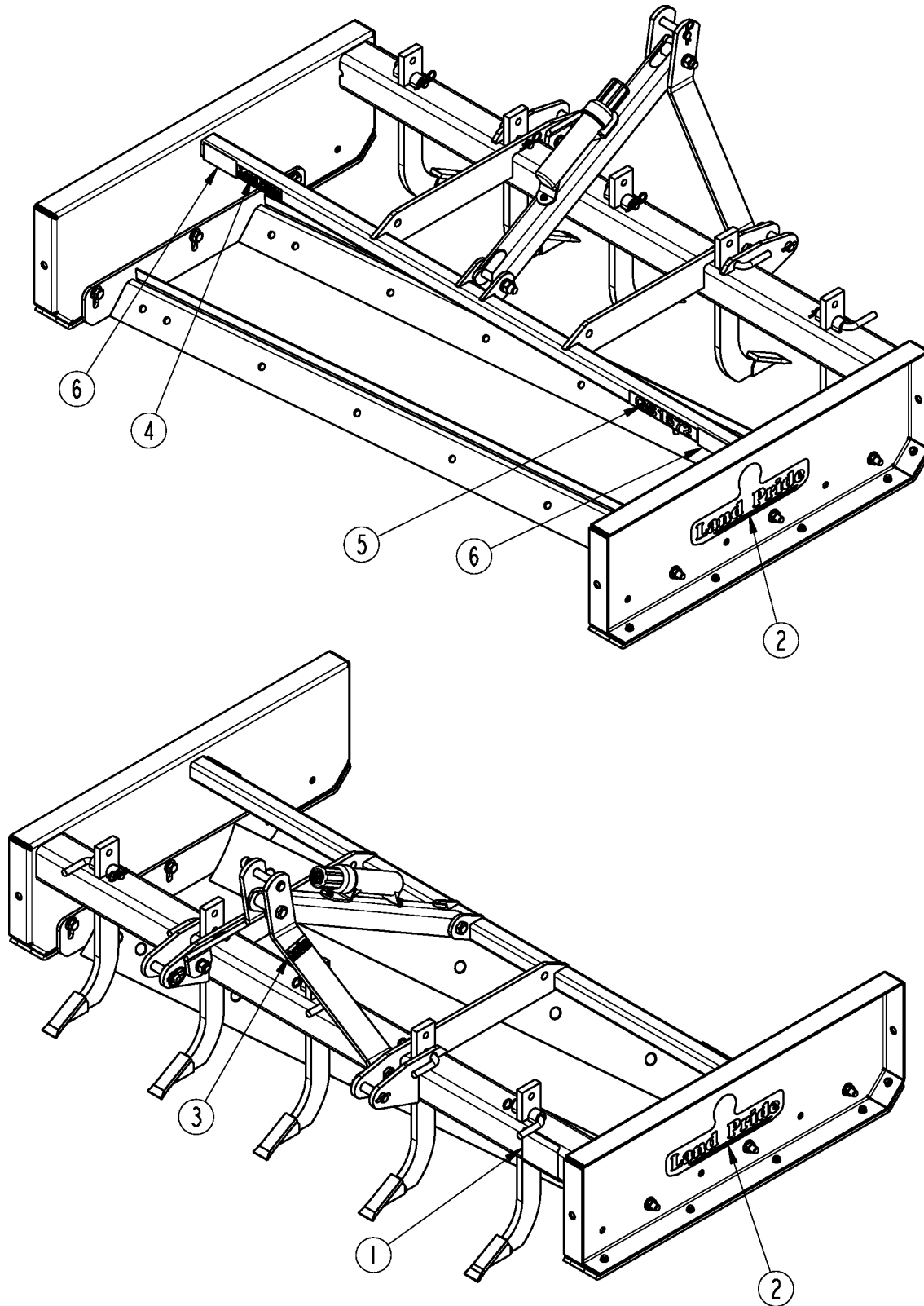
---

Applies to GS1548, GS1560, GS1572

*This Page Intentionally Left Blank*

# Decal Placement

Applies to GS1548, GS1560, GS1572



25907

***Decal Placement*****Applies to GS1548, GS1560, GS1572**

<b>Ref</b>	<b>Part No.</b>	<b>Part Description</b>	<b>Comments</b>	<b>Revision</b>
	Dwg 25907	Drawing Image Number		
1.	818-267C	DECAL CAUTION - BOX SCRAPER		
2.	818-893C	RPBY 838-964C	Beige Unit	
2.	838-964C	DECAL LP 16" W/TREE BROWN/GOLD	Orange Unit	
3.	838-517C	DECAL QUICK HITCH SYSTEM		
4.	838-936C	RPBY 838-967C	Beige Unit	
4.	838-967C	DECAL LANDPRIDE 6" BROWN/GOLD	Orange Unit	
5.	848-254C	DECAL, GS1572 GOLD		
5.	848-263C	RPBY 848-254C	Obsolete	
5.	848-272C	DECAL, GS1560 GOLD		
5.	848-273C	RPBY 848-272C	Obsolete	
5.	848-274C	DECAL, GS1548 GOLD		
5.	848-275C	RPBY 848-274C	Obsolete	
6.	858-095C	DECAL REFLECTOR RED 2X4.5	S/N 821964+	

***Land Pride Touch-up Paints***

---

Applies to GS1548, GS1560, GS1572

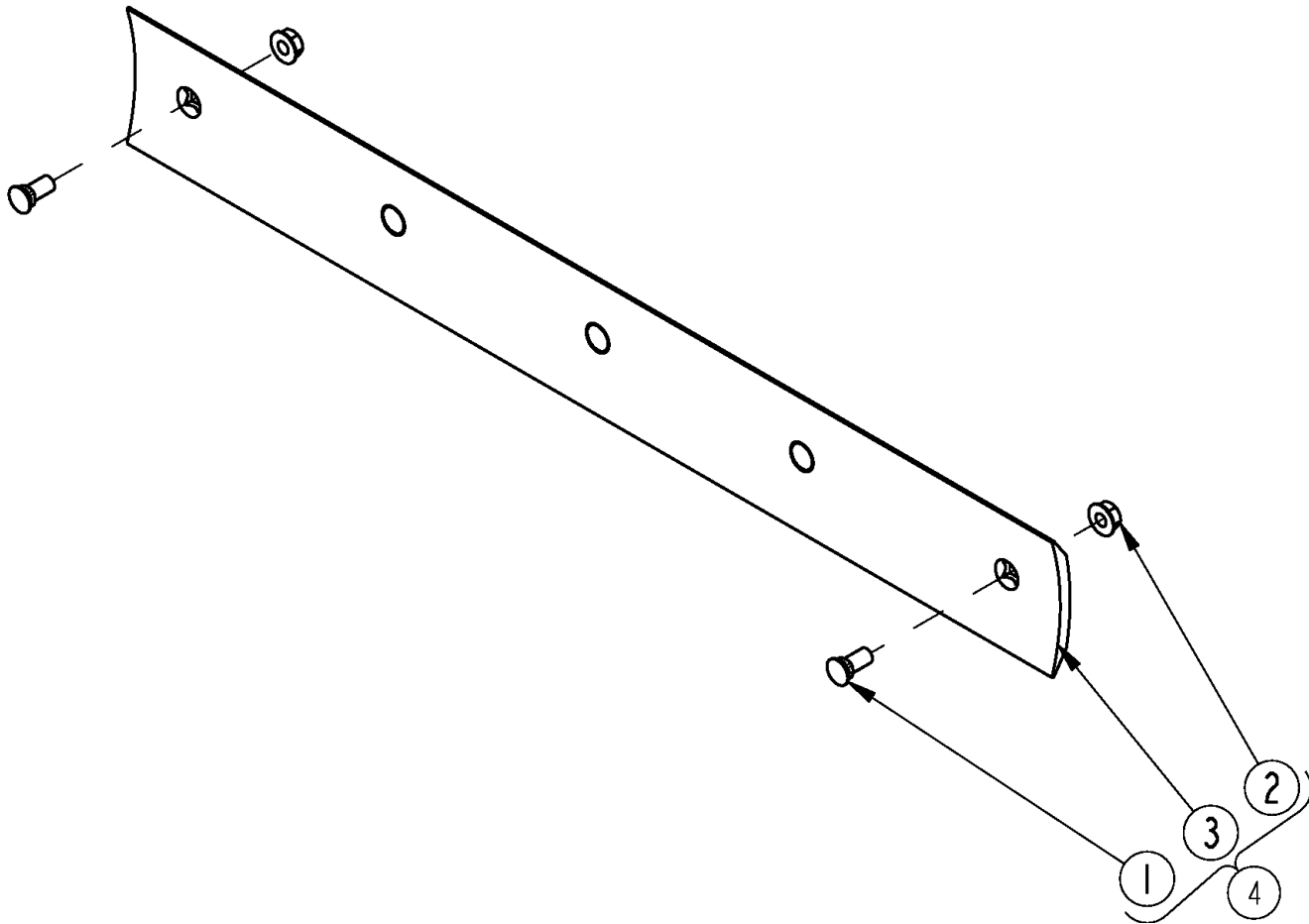
**No diagram associated with this Parts List**

**Land Pride Touch-up Paints****Applies to GS1548, GS1560, GS1572**

<b>Ref</b>	<b>Part No.</b>	<b>Part Description</b>	<b>Comments</b>	<b>Revision</b>
1.	821-011C	LP BEIGE SPRAY CAN	Spray can	
1.	821-070C	GLOSS BLACK SPRAY CAN	Spray can	
1.	821-054C	MED. RED SPRAY TRCK/CTR	Spray can	
1.	821-058C	GREEN SPRAY CUTTERS	Spray can	
1.	821-066C	ORANGE SPRAY CAN	Spray can	
1.	821-067C	BLUE SPRAY CAN	Spray can	
1.	821-080C	PAINT ALUMINUM/ZINC SPRAY CAN	Spray can	
2.	821-011CTU	LP BEIGE TOUCH-UP 5OZ	Touch-up bottle with brush	
2.	821-070CTU	GLOSS BLACK TOUCH-UP 5OZ	Touch-up bottle with brush	
2.	821-054CTU	MED RED TOUCH-UP 5OZ	Touch-up bottle with brush	
2.	821-058CTU	GREEN TOUCH-UP 5OZ	Touch-up bottle with brush	
2.	821-066CTU	ORANGE TOUCH-UP 5OZ	Touch-up bottle with brush	
2.	821-067CTU	BLUE TOUCH-UP 5OZ	Touch-up bottle with brush	
2.	821-080CTU	PAINT ALUMINUM/ZINC TOUCH UP	Touch-up bottle with brush	
3.	821-011CQT	LP BEIGE QUART	Quart can	
3.	821-070CQT	GLOSS BLACK QUART	Quart can	
3.	821-054CQT	MED RED QUART	Quart can	
3.	821-058CQT	GREEN QUART	Quart can	
3.	821-066CQT	ORANGE QUART	Quart can	
3.	821-067CQT	BLUE QUART	Quart can	
3.	821-080CQT	PAINT ALUMINUM/ZINC QUART	Quart can	
4.	821-011CGL	LP BEIGE GALLON	Gallon can	
4.	821-070CGL	GLOSS BLACK GALLON	Gallon can	
4.	821-054CGL	MED RED GALLON	Gallon can	
4.	821-058CGL	GREEN GALLON	Gallon can	
4.	821-066CGL	ORANGE GALLON	Gallon can	
4.	821-067CGL	BLUE GALLON	Gallon can	
4.	821-080CGL	PAINT ALUMINUM/ZINC GALLON	Gallon can	

# Rear Grader Blade Option

Applies to GS1548, GS1560, GS1572



37015



**Rear Grader Blade Option**

---

**Applies to GS1548, GS1560, GS1572**

<b>Ref</b>	<b>Part No.</b>	<b>Part Description</b>	<b>Comments</b>	<b>Revision</b>
	Dwg 37015	Drawing Image Number		
1.	802-236C	PLOW 5/8-11X1 1/2 GR5		
2.	803-304C	NUT HEX WHIZ 5/8-11 PLT		
3.	820-039C	GRADER BLADE 1/2 X 6 X 47 1/2		
3.	820-041C	GRADER BLADE 1/2 X 6 X 59 1/2		
3.	820-043C	GRADER BLADE 1/2 X 6 X 71 1/2		
4.	303-362A	48" GRADER BLADE KIT		
4.	303-363A	60" GRADER BLADE KIT		
4.	303-364A	72" GRADER BLADE KIT		



# Part Number Index

The Part Number Index is a numeric index of all part numbers included in this manual. The index shows what page(s) the part is used on.

<b>Part Number</b>	<b>Page</b>	<b>Part Number</b>	<b>Page</b>
303-121D	7	821-066CQT	15
303-121D82	7	821-066CTU	15
303-122D	7, 9	821-067C	15
303-122D82	7, 9	821-067CGL	15
303-123D	7, 9	821-067CQT	15
303-123D82	7, 9	821-067CTU	15
303-215D	9	821-070C	15
303-215D82	9	821-070CGL	15
303-221H	9	821-070CQT	15
303-221H82	9	821-070CTU	15
303-223H	7, 9	821-080C	15
303-223H82	7, 9	821-080CGL	15
303-232H	9	821-080CQT	15
303-232H82	9	821-080CTU	15
303-233H	7, 9	838-517C	13
303-233H82	7, 9	838-936C	13
303-234H	9	838-964C	13
303-234H82	9	838-967C	13
303-235H	7, 9	848-254C	13
303-235H82	7, 9	848-263C	13
303-362A	17	848-272C	13
303-363A	17	848-273C	13
303-364A	17	848-274C	13
308-400D	7, 9	848-275C	13
310-020S	7, 9	858-095C	13
318-441D	7, 9	Dwg 25906	7
802-064C	7, 9	Dwg 25907	13
802-069C	7, 9	Dwg 33337	9
802-224C	7, 9	Dwg 37015	17
802-236C	7, 9, 17	N/A	7
802-603C	7, 9		
802-657C	7, 9		
803-027C	7, 9		
803-198C	9		
803-209C	7		
803-255C	7, 9		
803-263C	7, 9		
803-304C	9, 17		
804-007C	7, 9		
804-023C	7, 9		
805-015C	7, 9		
805-032C	7, 9		
805-041C	7, 9		
805-143C	7, 9		
805-197C	7, 9		
805-198C	7, 9		
805-228C	7, 9		
816-504C	7, 9		
818-267C	13		
818-893C	13		
820-039C	7, 9, 17		
820-041C	7, 9, 17		
820-043C	7, 9, 17		
820-050C	7, 9		
820-152C	7, 10		
820-153C	7, 10		
821-011C	15		
821-011CGL	15		
821-011CQT	15		
821-011CTU	15		
821-054C	15		
821-054CGL	15		
821-054CQT	15		
821-054CTU	15		
821-058C	15		
821-058CGL	15		
821-058CQT	15		
821-058CTU	15		
821-066C	15		
821-066CGL	15		

***This Page Intentionally Left Blank***



Great Plains Manufacturing, Inc.

Corporate Office: P.O. Box 5060  
Salina, Kansas 67402-5060 USA

[www.landpride.com](http://www.landpride.com)

---