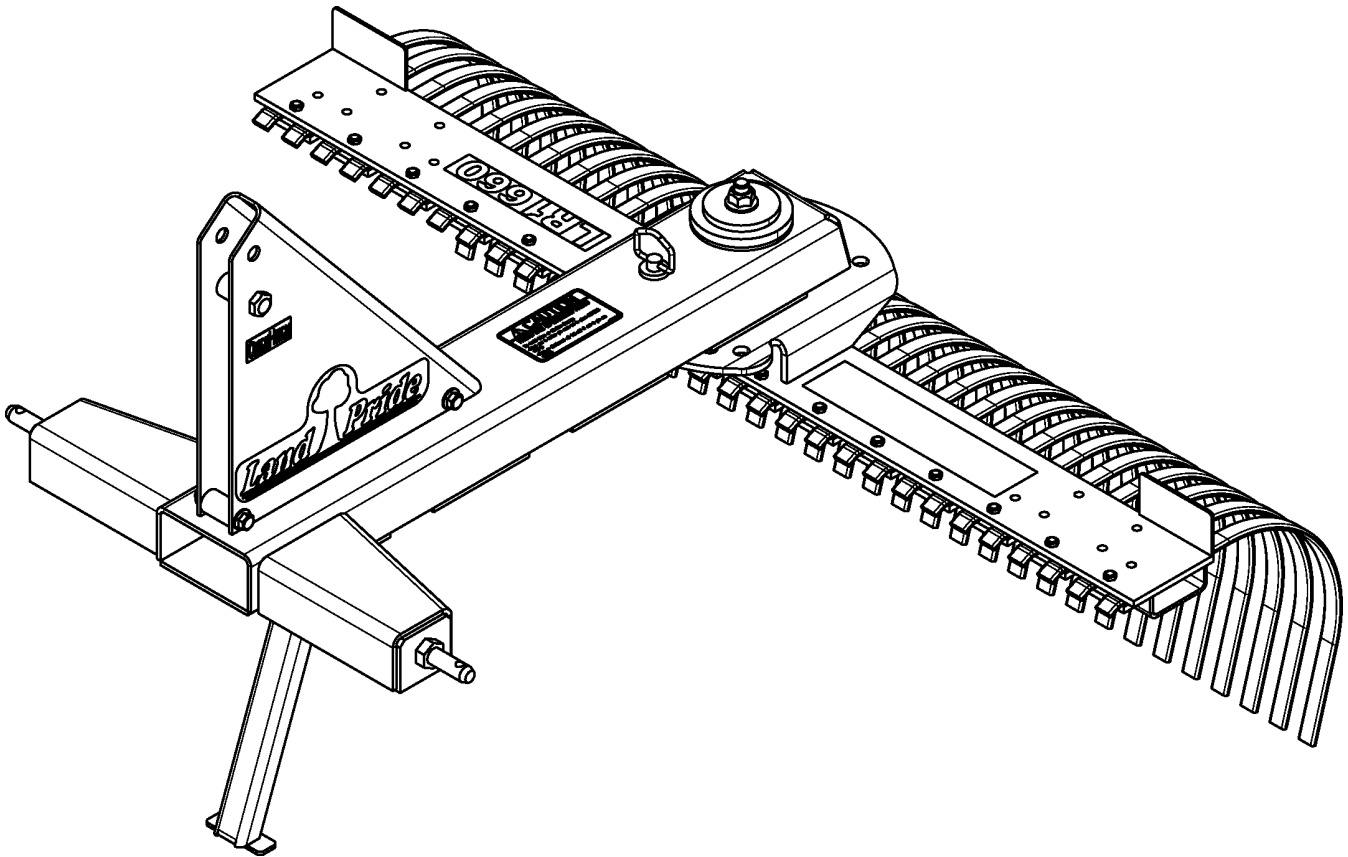


Landscape Rakes

LR1660, LR1672, LR1684, LR1696, LR2684 & LR2696



33850

302-305P Parts Manual



Read the Operator's Manual entirely. When you see this symbol, the subsequent instructions and warnings are serious - follow without exception. Your life and the lives of others depend on it!

© Copyright 2020 Printed 09/03/20

Cover photo may show optional equipment not supplied with standard unit.





Table of Contents

Section 1: Introduction.....4
 Using This Manual.....4
 Manual Replacement Information.....4
 Manual Revisions.....4
 Touch-up Paint.....4
 Hardware Legend.....5
 Replacement Hardware.....5
 Serial Numbers.....5
 Part Number Service Coding.....5

LR16 SERIES

Section 2: Frame and Rake.....6
 Frame and Rake S/N 985649-.....6
 Frame and Rake S/N 985650+.....8
Section 3: Decals.....10
 Decal Placement.....10
 Touch-up Paints - LP.....12
Section 4: Options & Accessories.....14
 Flip Down Grader Blade.....14
 Gauge Wheel Dual.....16
 Gauge Wheel Tire (814-041C) 4" Wide.....18
 Gauge Wheel Tire (814-053C).....20
 Grader Blade Mounting Arms.....22
 Hydraulic Angle Option S/N 985649-.....24
 Hydraulic Angle Option S/N 985650+.....26
 Hydraulic Cylinder (810-746C).....28

LR26 SERIES

Section 2: Frame and Rake.....30
 Frame and Rake S/N 985649-.....30
 Frame and Rake S/N 985650+.....32
Section 3: Decals.....34
 Decal Placement.....34
 Touch-up Paints - LP.....36
Section 4: Options & Accessories.....38
 Flip Down Grader Blade.....38
 Gauge Wheel Dual.....40
 Gauge Wheel Tire (814-041C) 4" Wide.....42
 Gauge Wheel Tire (814-053C).....44
 Grader Blade Mounting Arms.....46
 Hydraulic Angle Option S/N 985649-.....48
 Hydraulic Angle Option S/N 985650+.....50
 Hydraulic Cylinder (810-746C).....52

Part Number Index.....54

© Copyright 2020. All rights reserved.

Land Pride provides this publication “as is” without warranty of any kind, either expressed or implied. While every precaution has been taken in the preparation of this manual, Land Pride assumes no responsibility for errors or omissions. Neither is any liability assumed for damages resulting from the use of the information contained herein. Land Pride reserves the right to revise and improve its products as it sees fit. This publication describes the state of this product at the time of its publication, and may not reflect the product in the future. The illustrations in this manual are not intended for safe and proper assembly or disassembly of equipment. The illustrations are intended for ordering parts only.

Land Pride is registered trademark.

All other brands and product names are trademarks or registered trademarks of their respective holders.

Printed in the United States of America.



Alphabetized Table of Contents

LR16 SERIES

D
Decal Placement.....10

F
Flip Down Grader Blade.....14
Frame and Rake S/N 985649-.....6
Frame and Rake S/N 985650+.....8

G
Gauge Wheel Dual.....16
Gauge Wheel Tire (814-041C) 4" Wide.....18
Gauge Wheel Tire (814-053C).....20
Grader Blade Mounting Arms.....22

H
Hydraulic Angle Option S/N 985649-.....24
Hydraulic Angle Option S/N 985650+.....26
Hydraulic Cylinder (810-746C).....28

T
Touch-up Paints - LP.....12

LR26 SERIES

D
Decal Placement.....34

F
Flip Down Grader Blade.....38
Frame and Rake S/N 985649-.....30
Frame and Rake S/N 985650+.....32

G
Gauge Wheel Dual.....40
Gauge Wheel Tire (814-041C) 4" Wide.....42
Gauge Wheel Tire (814-053C).....44
Grader Blade Mounting Arms.....46

H
Hydraulic Angle Option S/N 985649-.....48
Hydraulic Angle Option S/N 985650+.....50
Hydraulic Cylinder (810-746C).....52

T
Touch-up Paints - LP.....36

General Information

Using This Manual

This manual is divided into sections. The first section contains General Information. The remaining sections divide the machine into segments (i.e. Frames, Drives, Hydraulics, etc.) which illustrate and list all parts. A Parts Number Index is located at the back of the book.

The Land Pride parts in this manual are specially designed for this machine and should be replaced with Land Pride parts only.

The information in this manual is current at time of printing. Some parts may change to assure top performance.

Right-hand and left-hand as used in this manual are determined by facing the direction the machine will travel while in use.

Below is an example of two facing pages from a parts manual. Familiarize yourself with the type of information contained on these pages.

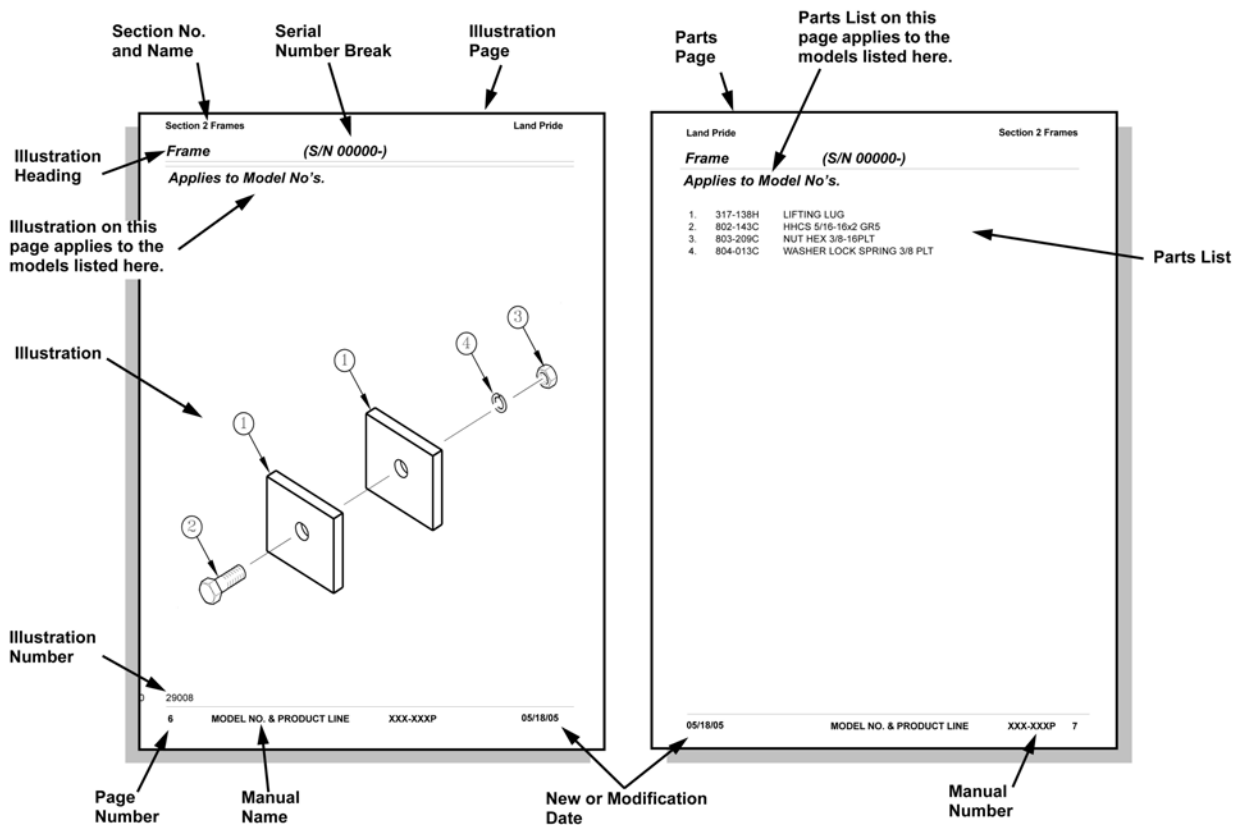
Manual Replacement Information

Replacement manuals are available. Refer to our website at www.landpride.com or e-mail us at lit@landpride.com for additional information. Our website continues to provide the most up-to-date manuals available.

Touch-up Paint

Repaint parts where paint is worn or scratched to prevent rust. Aerosol cans and touch-up bottles with brush applicator are available through your local dealer. Also available are quart and gallon size paints. Add QT or GL to end of the Aerosol P/N.

Land Pride color descriptions and part numbers are listed on the "Land Pride Touch-up Paints" page in the "Decals" section of this book. Color options vary by product.



General Information

Hardware Legend

| | |
|-----------------|--|
| AR | As Required |
| BLADE | Blade Bolt |
| C | Cap Screw |
| CP | Cotter Pin |
| CPHSSS | Cup Point Hex Socket Set Screw |
| CPSHSS | Cup Point Square Head Set Screw |
| CPSQHSS | Cup Point Square Head Set Screw |
| CRFCHMS3 | Cross Recess Flat Countersunk Head Machine Screw |
| CRPHMS | Cross Recess Pan Head Machine Screw |
| CRPHTF | Cross Recess Pan Head Thread Forming |
| CRRHMS | Cross Recess Round Head Machine Screw |
| CRTHMS | Cross Recess Truss Head Machine Screw |
| CSNB | Countersunk Square Neck Bolt |
| FHMS | Flat Head Machine Screw |
| FTC | Full Thread Cap Screw |
| H | Hex Nut |
| HCLN | Hex Center Lock Nut |
| HFLCS | Hex Flange Lock Cap Screw |
| HFS | Hex Flange Screw |
| HFSLN | Hex Flange Serrated Lock Nut |
| HFSS | Hex Flange Serrated Screw |
| HHCS | Hex Head Cap Screw or Metric Bolt |
| HSBHCS | Hex Socket Button Head Cap Screw |
| HSFCHCS | Hex Socket Flat Countersunk Head Cap Screw |
| HSHCS | Hex Socket Head Cap Screw |
| HSSS | Hex Socket Head Screw |
| HTLN | Hex Top Lock Nut |
| HWHCS | Hex Washer Head Cap Screw |

| | |
|-----------------------|---|
| HWHMS | Hex Washer Head Machine Screw |
| HXBHCS | Hex Socket Button Head Cap Screw |
| J | Hex Jam Nut |
| JIC | 37 Degree Tapered Thread |
| L | Helical Spring Lock Washer |
| LUG | Lug Bolt |
| NFC | National Fine Cap Screw |
| NPSM | National Pipe Straight Mechanical |
| NPTF | National Pipe Taper Fuel |
| P | Wide Plain Washer |
| PHMS | Pan Head Machine Screw |
| PLOW | Plow Bolt |
| RHMS | Round Head Machine Screw |
| RHSNB | Round Head Square Neck Bolt |
| SCREW LEVELING | Leveling Screw |
| SCREW THUMB | Thumb Screw |
| SCREW WELD | Weld Screw |
| SFCHMS | Slotted Flat Countersunk Head Machine Screw |
| SFHMS | Slotted Fillister Head Machine Screw |
| SP | Special |
| SP SCREW | Special Screw |
| SQHSS | Square Head Set Screw |
| SRHMS | Slotted Round Head Machine Screw |
| SSS | Socket Set Screw |
| STCS | Self Tapping Cap Screw |
| STHMS | Slotted Truss Head Machine Screw |
| WHEEL | Wheel Studs and Hub Long Bolts |
| WING | Wing Bolt |

Replacement Hardware

The **Hardware Legend** above lists hardware abbreviations used in the parts list. All bolts and nuts are Grade 5 unless otherwise noted. The use of improper grades of hardware can result in personal injury, damage to equipment, or loss of property.

Colored Replacement Parts

Land Pride offers replacement parts in factory standard colors and also on select models in Green, Orange, Red and Blue. Because of the variety of colors available, special attention must be given to the part number to prevent ordering the wrong replacement part.

A suffix number corresponding to one of the colors below must be added at the end of Land Pride's part number when ordering a replacement part with that color.

81 Green 83 Red
82 Orange 84 Blue

For example, if you are ordering a replacement part with part number 555-555C and the part you need is red, then add the suffix 83 to the end of the number to make the part number read 555-555C83. Parts ordered without a suffix number will be supplied in factory standard colors.

Black Replacement Parts

Some parts are factory standard black and some must be special ordered black. If your part is special ordered black, a second part number with the additional suffix number 85 on the end will be available. In this situation you must order that part with the suffix number for it to be black. Parts that are factory standard black will not have the suffix number.

Part Number Service Coding

Within the parts list some part numbers are coded for revisions and interchangeability. See notations in revision column.

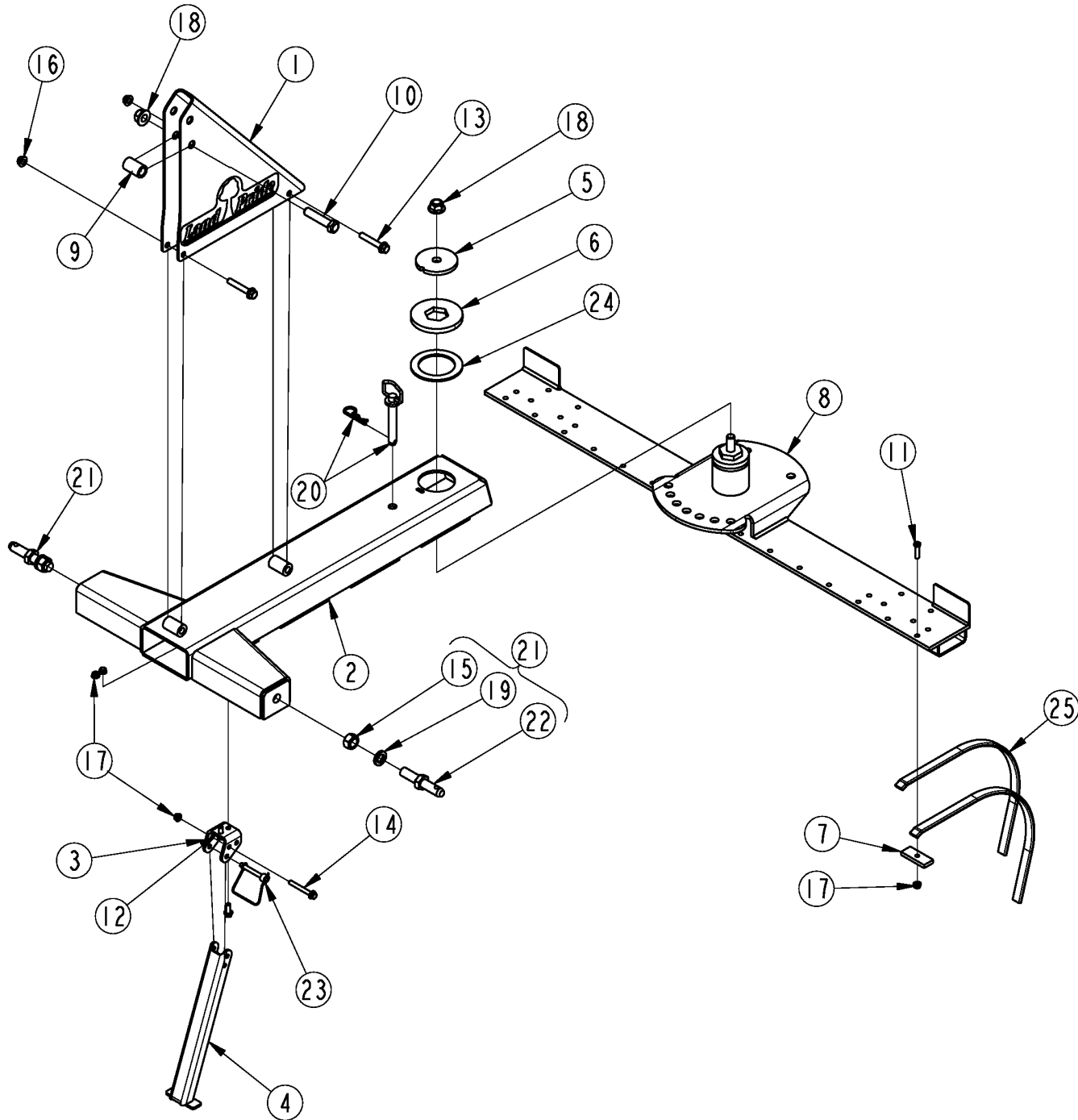
Serial Numbers

Always use the serial and model number when ordering parts. Refer to the Operator's Manual for serial number plate location.

- (S/N 20001+) Includes serial numbers 20001 and above (to the latest number)
- (S/N 10001 to 20000) Includes serial numbers between and including 10001 and 20000
- (S/N 10000-) Includes serial numbers 10000 and below (to the earliest number)

Frame and Rake S/N 985649-

Applies to LR1660, LR1672, LR1684, LR1696



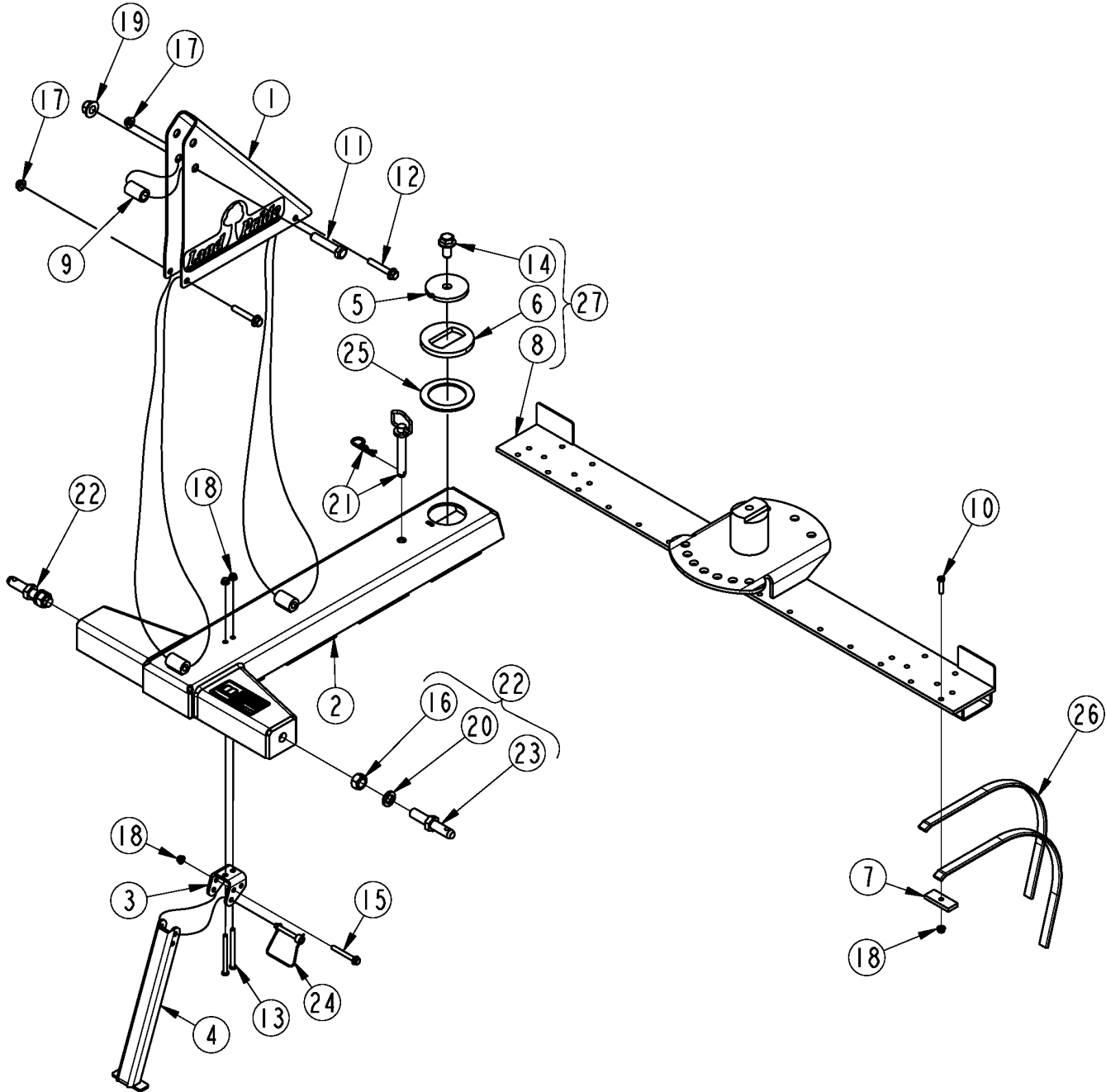
33851

Frame and Rake S/N 985649-**Applies to LR1660, LR1672, LR1684, LR1696**

| Ref | Part No. | Part Description | Comments | Revision |
|-----|------------|--------------------------------|--|----------|
| | Dwg 33851 | Drawing Image Number | | |
| 1. | 300-124S | ASSY, UPPER HITCH BUCK | | |
| 1. | 300-124S81 | ASSY, UPPER HITCH GREEN | | |
| 1. | 300-124S82 | ASSY, UPPER HITCH ORANGE | | |
| 2. | 300-242H | WLDMNT, RB16 SERIES FRAME | | |
| 2. | 300-242H81 | WLDMNT, RB16 FRAME GREEN | | |
| 2. | 300-242H82 | WLDMNT, RB16 FRAME ORANGE | | |
| 3. | 300-487D | MOUNT, RB16/26/36 SUPPORT STND | | |
| 4. | 300-488D | STAND, RB16 SUPPORT | | |
| 5. | 301-240D | 40 PIVOT CAP | S/N 911765+ | |
| 5. | 301-303D | RETAINER CAP | S/N 911764- | |
| 6. | 301-466D | PLATE, HEX DRIVE PIVOT CAP | | |
| 7. | 302-130D | RAKE TINE CLIP | | |
| 8. | 302-272H | RPBY 302-320S | | |
| 8. | 302-274H | RPBY 302-321S | | |
| 8. | 302-275H | RPBY 302-322S | | |
| 8. | 302-276H | RPBY 302-323S | | |
| 9. | 308-400D | SPACER 1 1/4OD X 13/16ID X 2LG | | |
| 10. | 802-066C | HHCS 3/4-10X3 1/2 GR5 | | |
| 11. | 802-022C | HHCS 3/8-16X1 1/2 GR5 | S/N 792755+ | |
| 11. | 802-569C | HFSS 3/8-16X1 1/2 GR5 | S/N 792754- | |
| 12. | 802-643C | HFSS 3/8-16 X 1 GR5 | | |
| 13. | 802-656C | HFS 1/2-13 X 3 GR5 PLT | | |
| 14. | 802-934C | HFS 3/8-16X3 GR5 ZNYCR | | |
| 15. | 803-149C | NUT HEX 7/8-14 PLT | | |
| 16. | 803-169C | NUT HEX FLG LOCK 1/2-13 PLT | | |
| 17. | 803-209C | NUT FLANGE LOCK 3/8-16 PLT | | |
| 18. | 803-299C | NUT HEX FLG TOP LK 3/4-10 PLT | | |
| 19. | 804-037C | WASHER LOCK SPRING 7/8 PLT | | |
| 20. | 805-081C | PIN HITCH 3/4 X 4 3/8 | | |
| 21. | 805-111C | PIN DRAW 7/8 X 5 | | |
| 22. | N/A | PIN DRAW 7/8 X 5 | | |
| 23. | 805-212C | PIN WIRE SNAP LOCK 3/8 X 2 1/2 | | |
| 24. | 817-927C | BUSHING, CARRIER TUBE CAP | | |
| 25. | 820-037C | RAKE TOOTH 1 | 60" 30 Total, 72" 36 Total, 84" 42 Total & 96" 48 Total | |

Frame and Rake S/N 985650+

Applies to LR1660, LR1672, LR1684, LR1696



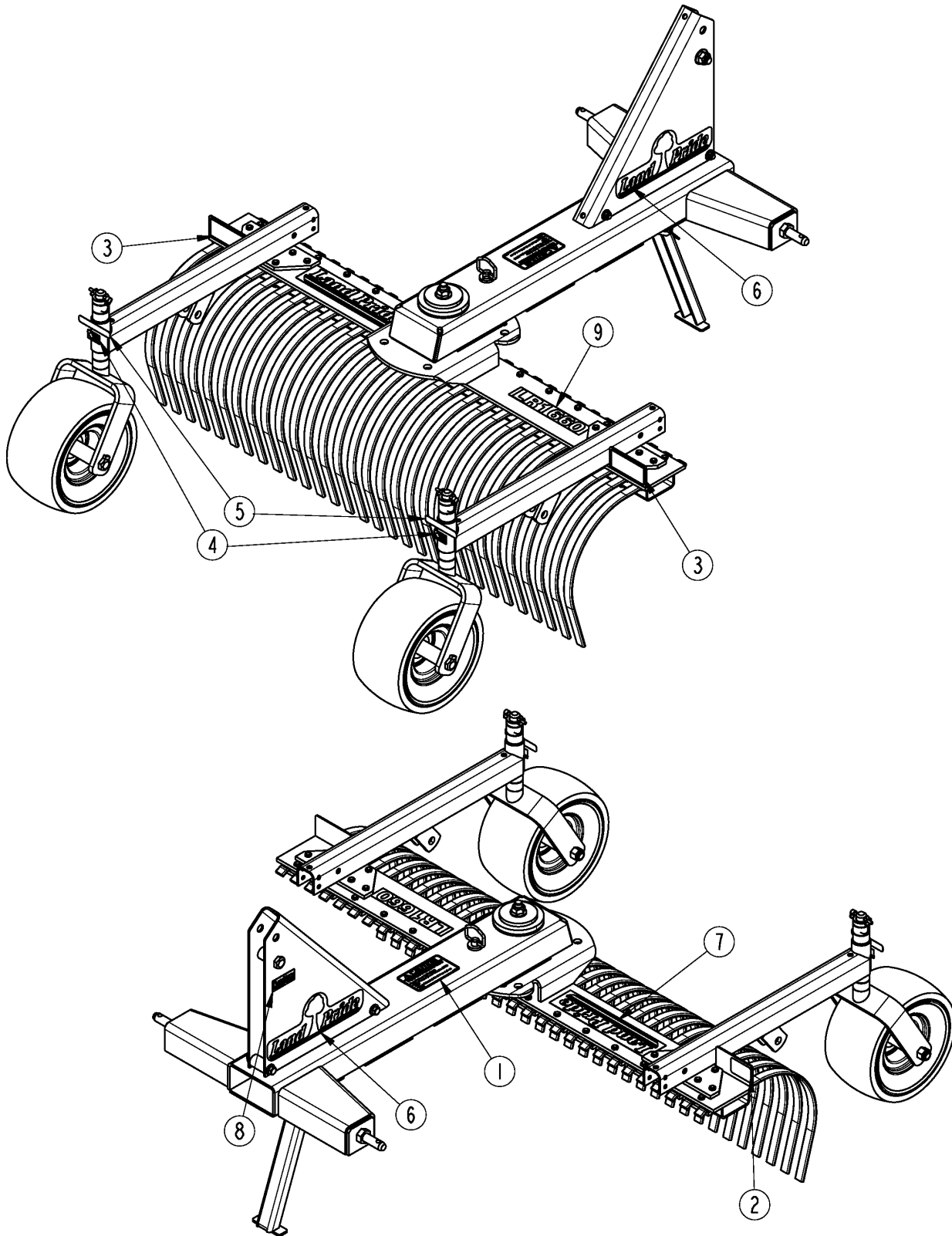
39380

Frame and Rake S/N 985650+**Applies to LR1660, LR1672, LR1684, LR1696**

| Ref | Part No. | Part Description | Comments | Revision |
|-----|------------|--------------------------------|--|----------|
| | Dwg 39380 | Drawing Image Number | | |
| 1. | 300-124S | ASSY, UPPER HITCH BUCK | | |
| 1. | 300-124S81 | ASSY, UPPER HITCH GREEN | | |
| 1. | 300-124S82 | ASSY, UPPER HITCH ORANGE | | |
| 2. | 300-242H | WLDMNT, RB16 SERIES FRAME | Weldment revision at S/N_____ | |
| 2. | 300-242H81 | WLDMNT, RB16 FRAME GREEN | Weldment revision at S/N_____ | |
| 2. | 300-242H82 | WLDMNT, RB16 FRAME ORANGE | Weldment revision at S/N_____ | |
| 3. | 300-487D | MOUNT, RB16/26/36 SUPPORT STND | | |
| 4. | 300-488D | STAND, RB16 SUPPORT | | |
| 5. | 301-240D | 40 PIVOT CAP | | |
| 6. | 301-637D | DRIVE PIVOT CAP | | |
| 7. | 302-130D | RAKE TINE CLIP | | |
| 8. | 302-316H | LR1660 RAKE MOUNT | | |
| 8. | 302-317H | LR1672 RAKE MOUNT | | |
| 8. | 302-318H | LR1684 RAKE MOUNT | | |
| 8. | 302-319H | LR1696 RAKE MOUNT | | |
| 9. | 308-400D | SPACER 1 1/4OD X 13/16ID X 2LG | | |
| 10. | 802-022C | HHCS 3/8-16X1 1/2 GR5 | | |
| 11. | 802-066C | HHCS 3/4-10X3 1/2 GR5 | | |
| 12. | 802-656C | HFS 1/2-13 X 3 GR5 PLT | | |
| 13. | 802-750C | HHCS 3/8-16X4 1/4 GR5 | S/N_____+ | |
| 13. | 802-643C | HFSS 3/8-16 X 1 GR5 | S/N_____ - | |
| 14. | 802-897C | HFS 3/4-10X1 1/2 GR 5 PLT | | |
| 15. | 802-934C | HFS 3/8-16X3 GR5 ZNYCR | | |
| 16. | 803-149C | NUT HEX 7/8-14 PLT | | |
| 17. | 803-169C | NUT HEX FLG LOCK 1/2-13 PLT | | |
| 18. | 803-209C | NUT FLANGE LOCK 3/8-16 PLT | | |
| 19. | 803-299C | NUT HEX FLG TOP LK 3/4-10 PLT | | |
| 20. | 804-037C | WASHER LOCK SPRING 7/8 PLT | | |
| 21. | 805-081C | PIN HITCH 3/4 X 4 3/8 | | |
| 22. | 805-111C | PIN DRAW 7/8 X 5 | | |
| 23. | N/A | PIN DRAW 7/8 X 5 | | |
| 24. | 805-212C | PIN WIRE SNAP LOCK 3/8 X 2 1/2 | | |
| 25. | 817-927C | BUSHING, CARRIER TUBE CAP | | |
| 26. | 820-037C | RAKE TOOTH 1 | 60" 30 Total, 72" 36 Total, 84" 42 Total & 96" 48 Total | |
| 27. | 302-320S | LR1660 RAKE MOUNT ASY | | |
| 27. | 302-321S | LR1672 RAKE MOUNT ASY | | |
| 27. | 302-322S | LR1684 RAKE MOUNT ASY | | |
| 27. | 302-323S | LR1696 RAKE MOUNT ASY | | |

Decal Placement

Applies to LR1660, LR1672, LR1684, LR1696



33852

Decal Placement**Applies to LR1660, LR1672, LR1684, LR1696**

| Ref | Part No. | Part Description | Comments | Revision |
|------------|-----------------|--------------------------------|-----------------------------|-----------------|
| | dwg33852 | Drawing Image Number | | |
| 1. | 818-202C | DECAL CAUTION FALL MBOARD/RAKE | | |
| 2. | 838-615C | DECAL REFLECTOR AMBER 2X9 | S/N 821694+ LR1684 & LR1696 | |
| 2. | 818-229C | DECAL AMBER REFLECTOR | S/N 821693- LR1696 | |
| 3. | 838-614C | DECAL REFLECTOR RED 2X9 | S/N 821694+ LR1684 & LR1696 | |
| 3. | 858-095C | DECAL REFLECTOR RED 2X4.5 | S/N 821694+ LR1660 & LR1672 | |
| 3. | 818-230C | DECAL RED REFLECTOR | S/N 821693- LR1696 | |
| 4. | 818-298C | DECAL GREASE 25HRS BLACK/WHITE | | |
| 5. | 818-335C | DECAL RED NARROW REFLECTOR | | |
| 6. | 818-891C | RPBY 838-962C | Beige Unit | |
| 6. | 838-962C | DECAL LP 13" W/TREE BROWN/GOLD | Green & Orange Unit | |
| 7. | 848-161C | DECAL LANDPRIDE 13.25 BRWN/GLD | S/N 822206+ | |
| 7. | 818-900C | RPBY 848-161C | S/N 822205- | |
| 8. | 838-517C | DECAL QUICK HITCH SYSTEM | | |
| 9. | 848-873C | DECAL, LR1660 GOLD | | |
| 9. | 848-874C | DECAL, LR1672 GOLD | | |
| 9. | 848-875C | DECAL, LR1684 GOLD | | |
| 9. | 848-876C | DECAL, LR1696 GOLD | | |

Touch-up Paints - LP

Applies to LR1660, LR1672, LR1684, LR1696

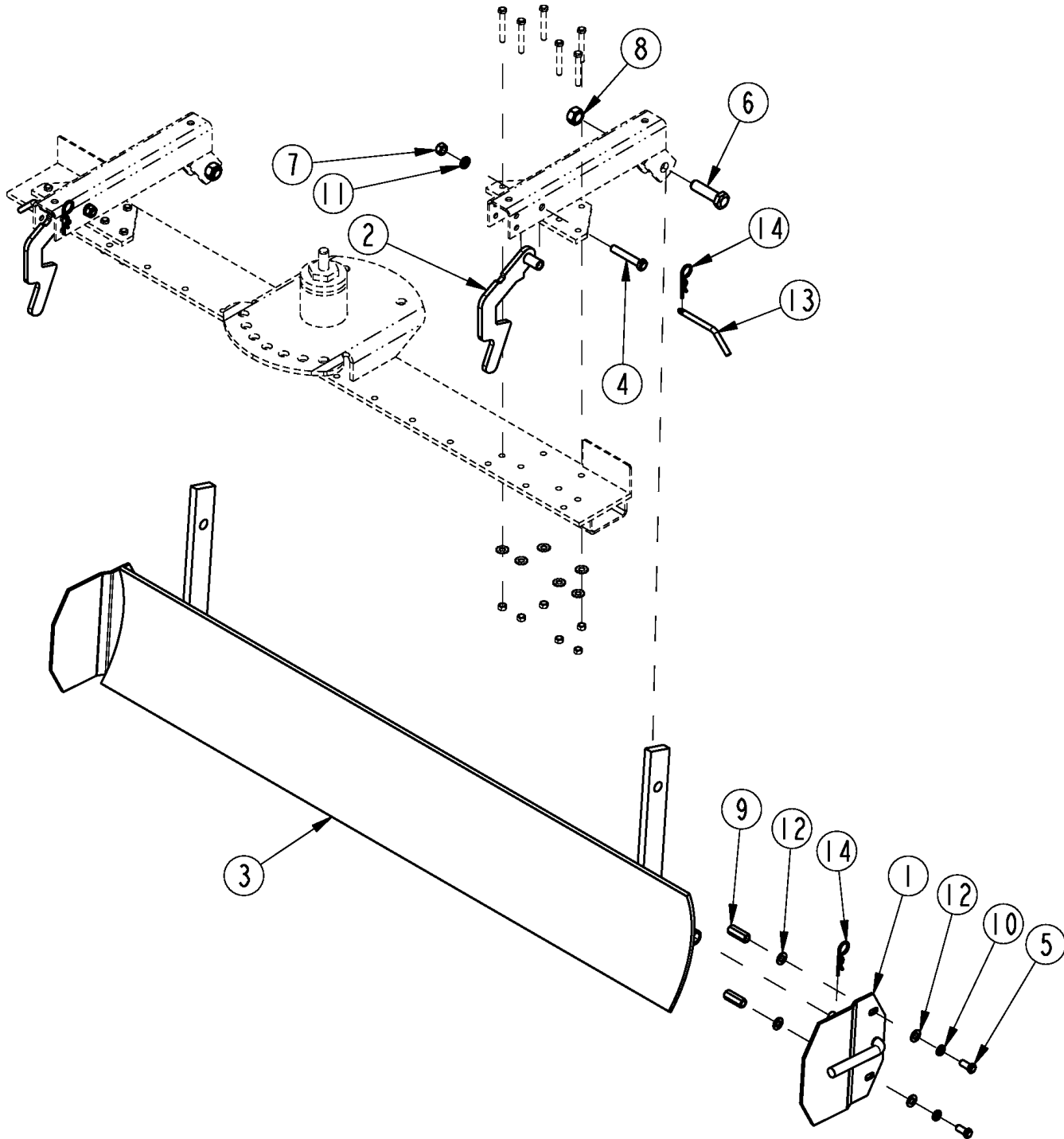
No diagram associated with this Parts List

Touch-up Paints - LP**Applies to LR1660, LR1672, LR1684, LR1696**

| Ref | Part No. | Part Description | Comments | Revision |
|------------|-----------------|-------------------------------|----------------------------|-----------------|
| 1. | 821-011C | LP BEIGE SPRAY CAN | Spray can | |
| 1. | 821-011CTU | LP BEIGE TOUCH-UP 5OZ | Touch-up bottle with brush | |
| 1. | 821-011CQT | LP BEIGE QUART | Quart can | |
| 1. | 821-011CGL | LP BEIGE GALLON | Gallon can | |
| 2. | 821-070C | GLOSS BLACK SPRAY CAN | Spray can | |
| 2. | 821-070CTU | GLOSS BLACK TOUCH-UP 5OZ | Touch-up bottle with brush | |
| 2. | 821-070CQT | GLOSS BLACK QUART | Quart can | |
| 2. | 821-070CGL | GLOSS BLACK GALLON | Gallon can | |
| 3. | 821-054C | MED. RED SPRAY TRCK/CTR | Spray can | |
| 3. | 821-054CTU | MED RED TOUCH-UP 5OZ | Touch-up bottle with brush | |
| 3. | 821-054CQT | MED RED QUART | Quart can | |
| 3. | 821-054CGL | MED RED GALLON | Gallon can | |
| 4. | 821-058C | GREEN SPRAY CUTTERS | Spray can | |
| 4. | 821-058CTU | GREEN TOUCH-UP 5OZ | Touch-up bottle with brush | |
| 4. | 821-058CQT | GREEN QUART | Quart can | |
| 4. | 821-058CGL | GREEN GALLON | Gallon can | |
| 5. | 821-066C | ORANGE SPRAY CAN | Spray can | |
| 5. | 821-066CTU | ORANGE TOUCH-UP 5OZ | Touch-up bottle with brush | |
| 5. | 821-066CQT | ORANGE QUART | Quart can | |
| 5. | 821-066CGL | ORANGE GALLON | Gallon can | |
| 6. | 821-067C | BLUE SPRAY CAN | Spray can | |
| 6. | 821-067CTU | BLUE TOUCH-UP 5OZ | Touch-up bottle with brush | |
| 6. | 821-067CQT | BLUE QUART | Quart can | |
| 6. | 821-067CGL | BLUE GALLON | Gallon can | |
| 7. | 821-080C | PAINT ALUMINUM/ZINC SPRAY CAN | Spray can | |
| 7. | 821-080CTU | PAINT ALUMINUM/ZINC TOUCH UP | Touch-up bottle with brush | |
| 7. | 821-080CQT | PAINT ALUMINUM/ZINC QUART | Quart can | |
| 7. | 821-080CGL | PAINT ALUMINUM/ZINC GALLON | Gallon can | |

Flip Down Grader Blade

Applies to LR1660, LR1672, LR1684, LR1696



33894

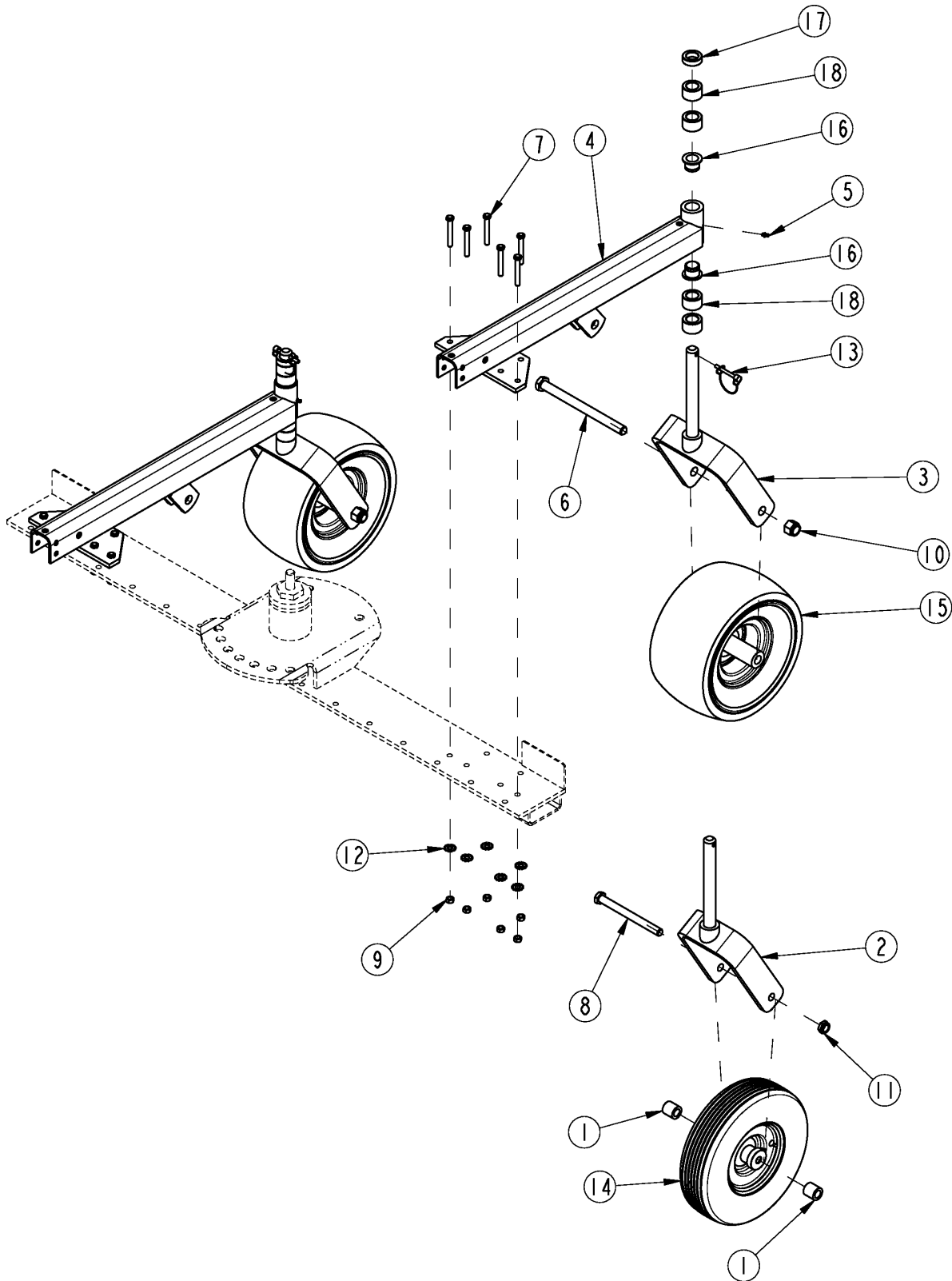
Flip Down Grader Blade

Applies to LR1660, LR1672, LR1684, LR1696

| Ref | Part No. | Part Description | Comments | Revision |
|-----|----------|--------------------------------|----------|----------|
| | dwg33894 | Drawing Image Number | | |
| 1. | 302-017H | SIDE PLATE WELDMENT | | |
| 2. | 302-097H | BLADE LOCK HANDLE WELDMENT | | |
| 3. | 302-145H | 5' GRADER BLADE WELDMENT | | |
| 3. | 302-098H | 6' GRADER BLADE WELDMENT | | |
| 3. | 302-099H | 7' GRADER BLADE WELDMENT | | |
| 3. | 302-100H | 8' GRADER BLADE WELDMENT | | |
| 4. | 802-039C | HHCS 1/2-13X3 GR5 | | |
| 5. | 802-080C | HHCS 7/16-14X1 GR5 | | |
| 6. | 802-086C | HHCS 3/4-10X2 3/4 GR5 | | |
| 7. | 803-020C | NUT HEX 1/2-13 PLT | | |
| 8. | 803-026C | NUT LOCK 3/4-10 PLT | | |
| 9. | 803-067C | NUT HEX CPLR 7/16-14X1 3/4 PLT | | |
| 10. | 804-014C | WASHER LOCK 7/16 PLT | | |
| 11. | 804-015C | WASHER LOCK SPRING 1/2 PLT | | |
| 12. | 804-041C | WASHER FLAT 7/16 SAE PLT | | |
| 13. | 805-001C | PIN 3/8 X 3 USABLE LW/PIN | | |
| 14. | 805-032C | PIN HAIR COTTER .148 WIRE | | |

Gauge Wheel Dual

Applies to LR1660, LR1672, LR1684, LR1696



33892

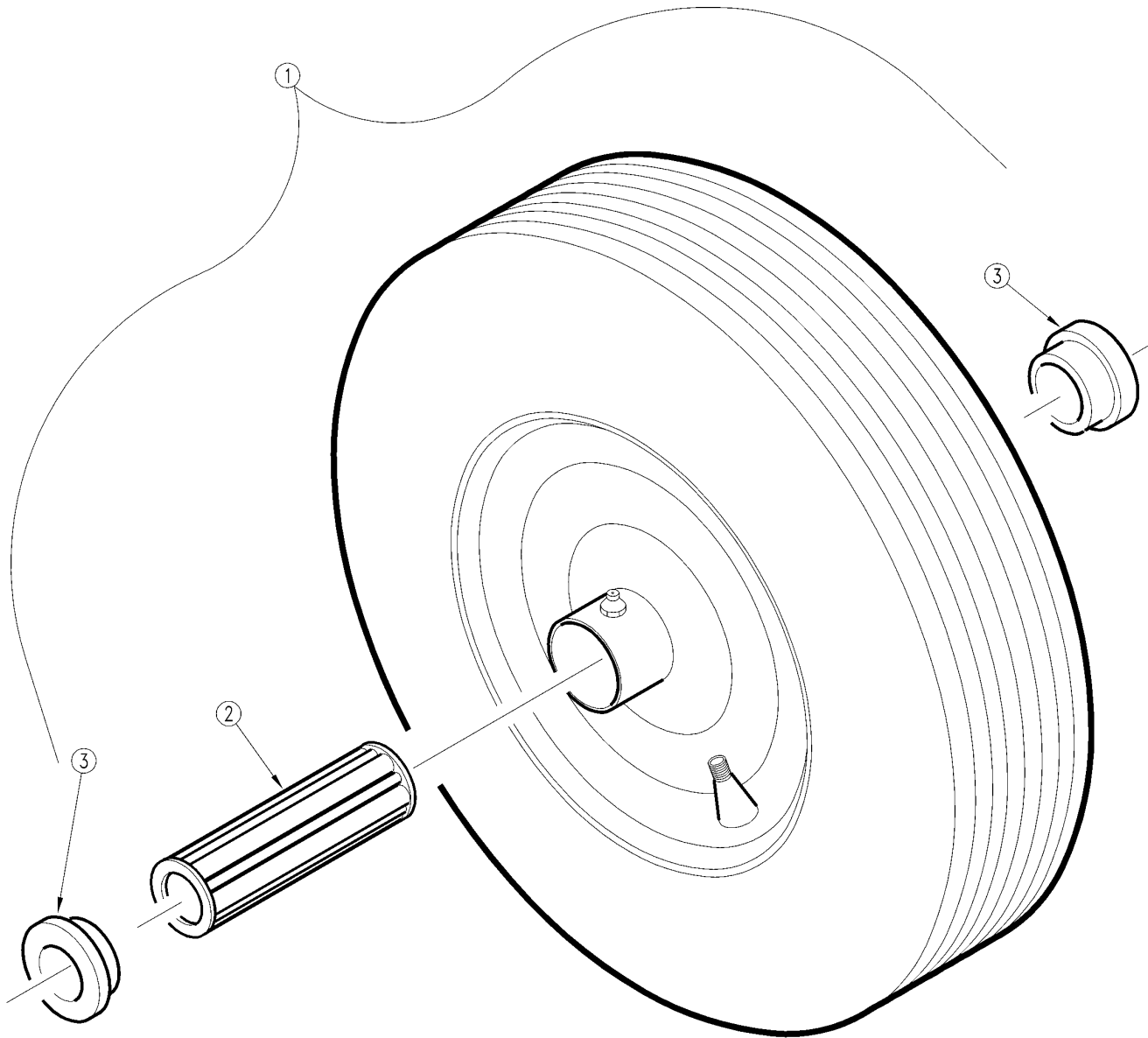
Gauge Wheel Dual

Applies to LR1660, LR1672, LR1684, LR1696

| Ref | Part No. | Part Description | Comments | Revision |
|-----|----------|--------------------------------|----------|----------|
| | dwg33892 | Drawing Image Number | | |
| 1. | 302-076D | WHEEL SPACER | | |
| 2. | 302-095H | NARROW GW YOKE WELDMENT | | |
| 3. | 302-096H | WIDE GW YOKE WELDMENT | | |
| 4. | 302-202H | RAKE DUAL G.W. WELDMENT | | |
| 5. | 800-001C | GREASE ZERK STRAIGHT 1/4-28 | | |
| 6. | 802-072C | HHCS 3/4-10X9 1/2 GR5 | | |
| 7. | 802-216C | HHCS 3/8-16X2 3/4 GR5 | | |
| 8. | 802-262C | HHCS 5/8-11X7 GR5 | | |
| 9. | 803-014C | NUT HEX 3/8-16 PLT | | |
| 10. | 803-025C | NUT HEX 3/4-10 PLT NYLOCK | | |
| 11. | 803-094C | NUT 5/8-11 NYLON COLLAR THIN | | |
| 12. | 804-060C | WASHER INT-EXT 3/8 PLT | | |
| 13. | 805-065C | PIN WIRE RETAINING 1/4 X 1 3/4 | | |
| 14. | 814-041C | WHEEL & TIRE PNEU 4.10 X 6 | | |
| 15. | 814-053C | TIRE & WHL 13/6.50X6 W/3/4 BOR | | |
| 16. | 817-048C | SPINDLE BUSHING | | |
| 17. | 827-001C | SPACER 1/2 | | |
| 18. | 827-002C | SPACER 1 | | |

Gauge Wheel Tire (814-041C) 4" Wide

Applies to LR1660, LR1672, LR1684, LR1696



13625

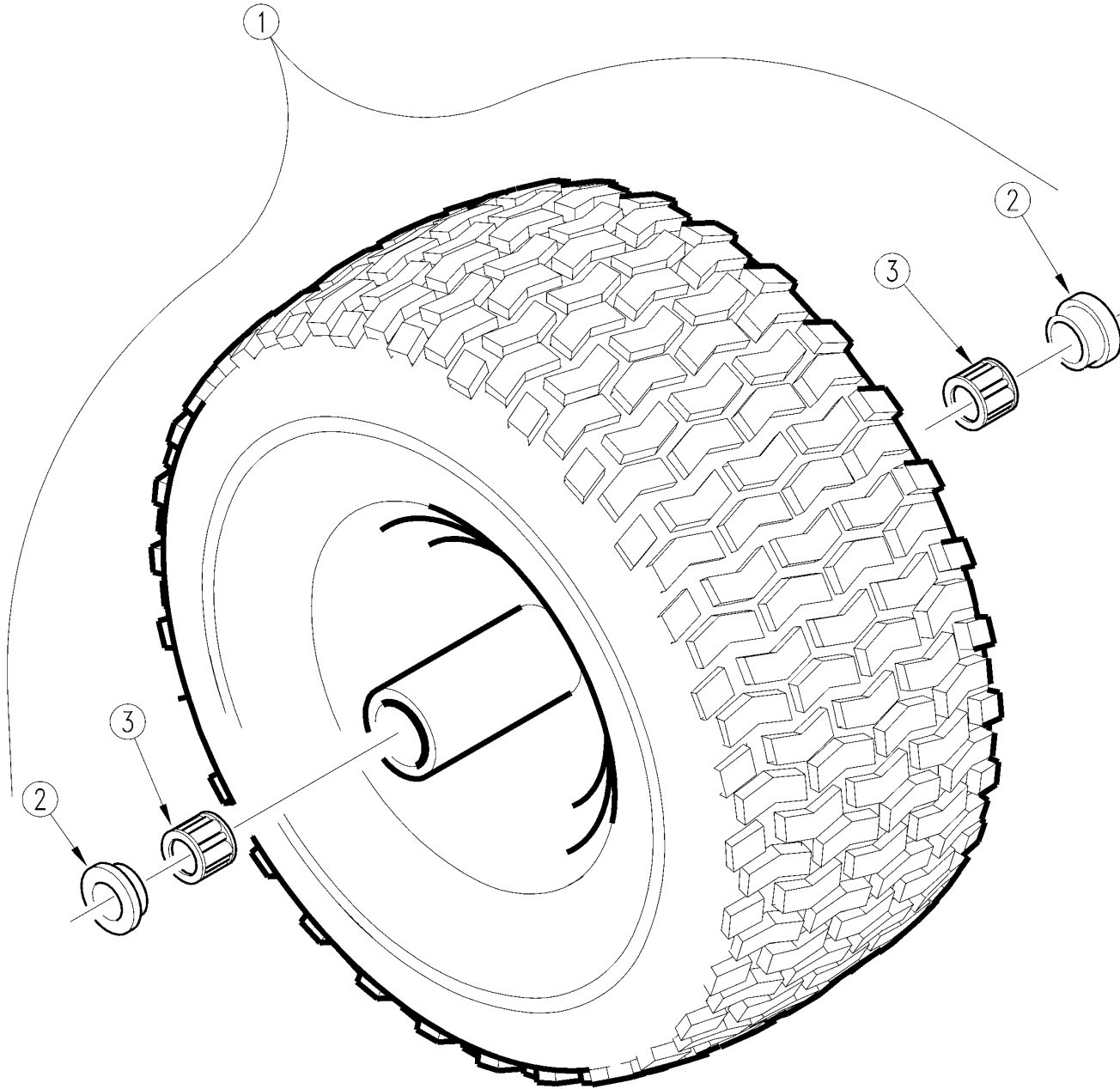
Gauge Wheel Tire (814-041C) 4" Wide

Applies to LR1660, LR1672, LR1684, LR1696

| Ref | Part No. | Part Description | Comments | Revision |
|-----|----------|--------------------------------|--------------|----------|
| | dwg13625 | Drawing Image Number | | |
| 1. | 814-041C | WHEEL & TIRE PNEU 4.10 X 6 | | |
| 2. | 822-089C | BEARING 5/8X1 3/8X1 GLEASON587 | two required | |
| 2. | 53-181 | TILDEN BRG 5/8IDX1 3/8ODX2 1/2 | one required | |
| 3. | 890-173C | END CAP GLEASON 4206 | | |
| 3. | 53-167 | TILDEN RTNR 5/8IDX1 3/8ODX1/4L | | |

Gauge Wheel Tire (814-053C)

Applies to LR1660, LR1672, LR1684, LR1696



19042

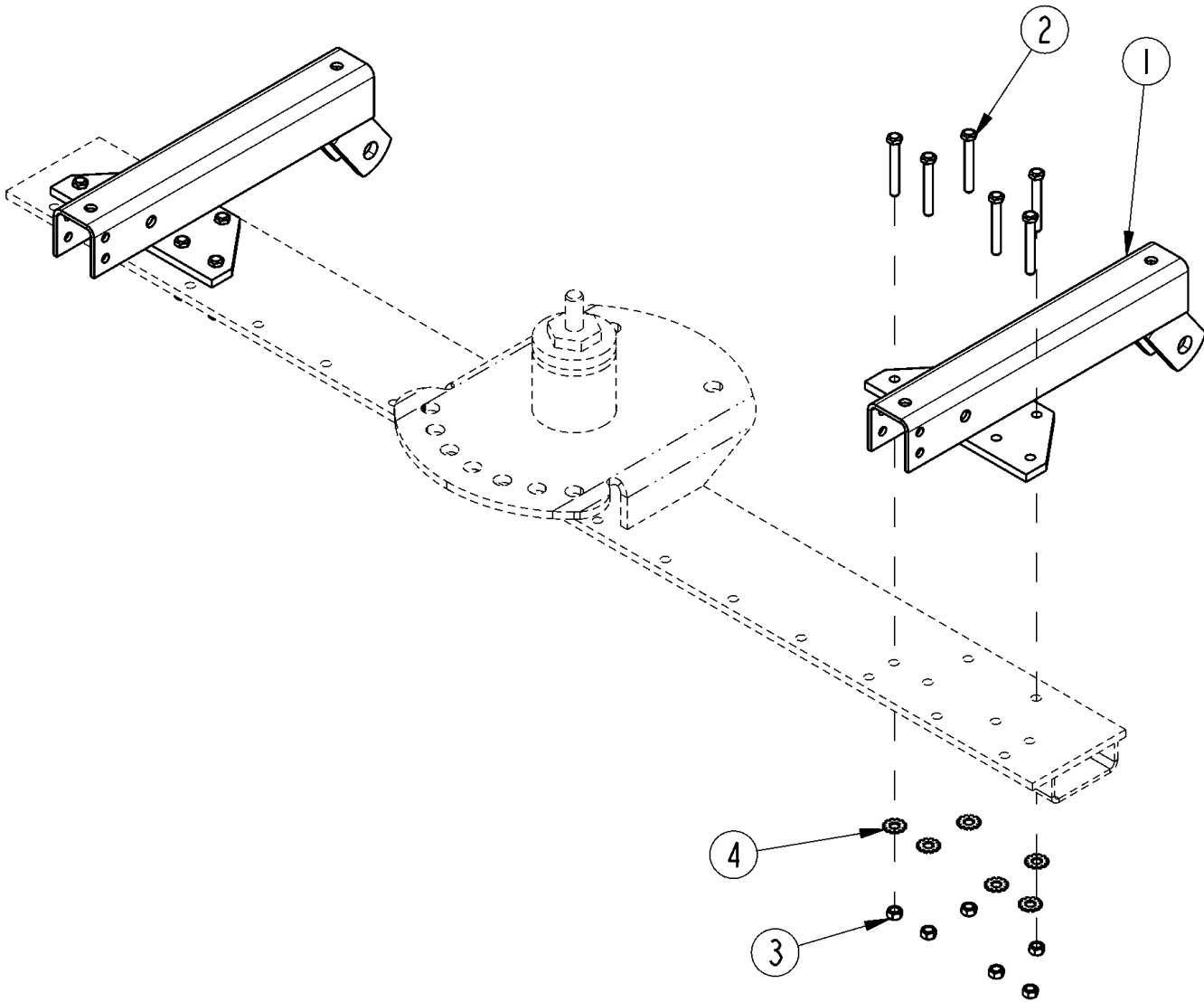
Gauge Wheel Tire (814-053C)

Applies to LR1660, LR1672, LR1684, LR1696

| Ref | Part No. | Part Description | Comments | Revision |
|------------|-----------------|--------------------------------|-----------------|-----------------|
| | dwg19042 | Drawing Image Number | | |
| 1. | 814-053C | TIRE & WHL 13/6.50X6 W/3/4 BOR | | |
| 2. | 53-164 | TILDEN RTNR 3/4IDX1 3/8ODX1/4L | | |
| 3. | 53-189 | TILDEN BRG 3/4ID1.34ODX15/16L | | |

Grader Blade Mounting Arms

Applies to LR1660, LR1672, LR1684, LR1696



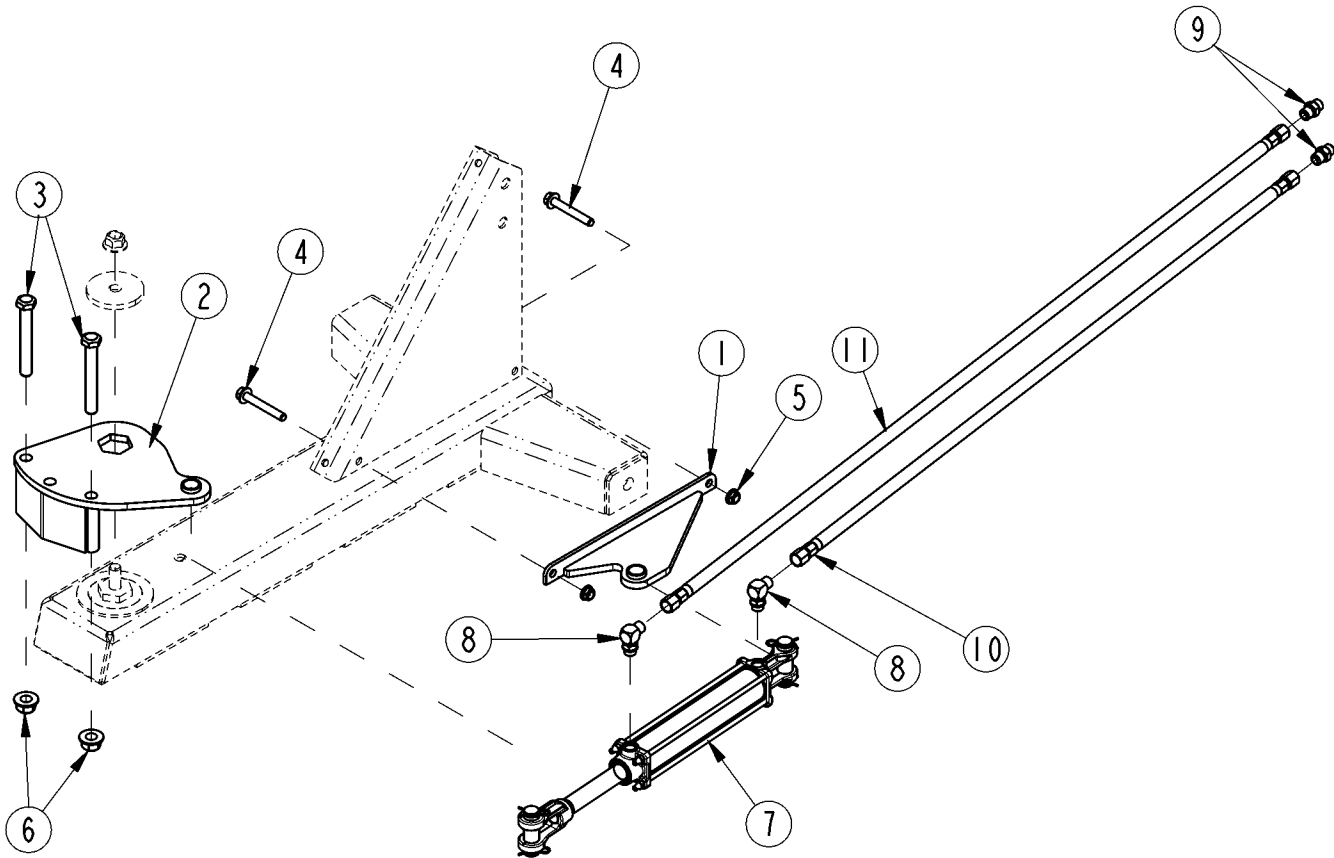
Grader Blade Mounting Arms

Applies to LR1660, LR1672, LR1684, LR1696

| Ref | Part No. | Part Description | Comments | Revision |
|------------|-----------------|--------------------------|-----------------|-----------------|
| | dwg33893 | Drawing Image Number | | |
| 1. | 302-204H | GRADER BLD MTG PULL TYPE | | |
| 2. | 802-216C | HHCS 3/8-16X2 3/4 GR5 | | |
| 3. | 803-014C | NUT HEX 3/8-16 PLT | | |
| 4. | 804-060C | WASHER INT-EXT 3/8 PLT | | |

Hydraulic Angle Option S/N 985649-

Applies to LR1660, LR1672, LR1684, LR1696



33402

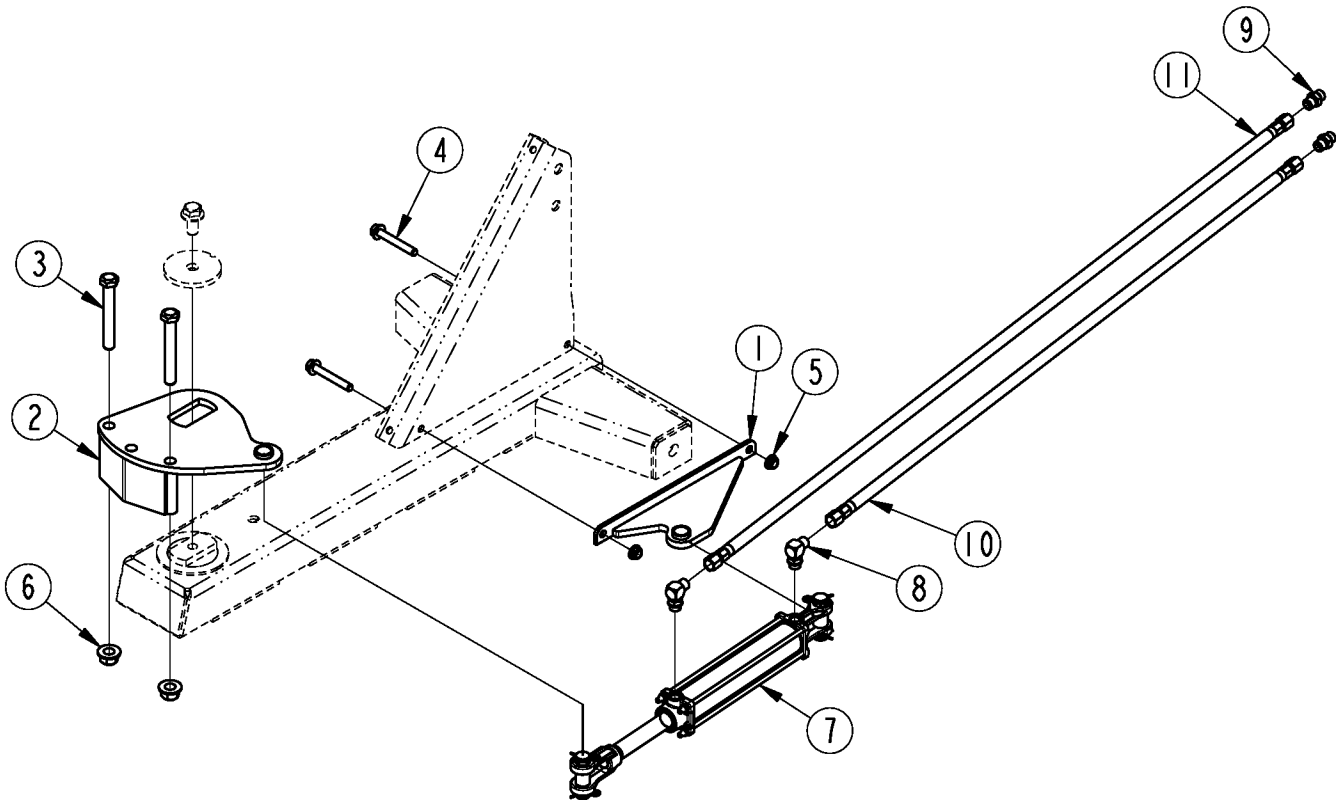
Hydraulic Angle Option S/N 985649-

Applies to LR1660, LR1672, LR1684, LR1696

| Ref | Part No. | Part Description | Comments | Revision |
|------------|-----------------|-----------------------------------|----------------------------------|-----------------|
| | dwg33402 | Drawing Image Number | | |
| | 301-425A | KIT, RB/LR16 HYDRAULIC ANGLE * | S/N 756707- May Require Grinding | |
| 1. | 301-402H | WLDMNT, RB16 FRNT CYL MOUNT | | |
| 2. | 301-424H | WLDMNT. RB16/26 HYD ANG PLATE | | |
| 3. | 802-594C | HHCS 3/4-10X5 1/2 GR5 | | |
| 4. | 802-658C | HFS 1/2-13 X 3 1/2 GR5 PLT | | |
| 5. | 803-169C | NUT HEX FLG LOCK 1/2-13 PLT | | |
| 6. | 803-299C | NUT HEX FLG TOP LK 3/4-10 PLT | | |
| 7. | 810-746C | CYL 2X10X1.12 ROD (TIE) | | |
| 8. | 811-063C | EL 3/4MJIC 3/4MORB | | |
| 9. | 811-088C | AD 3/4MORB 3/4MJIC | | |
| 10. | 841-590C | HH3/8R2 054 3/4FJIC E-Z FLEX | | |
| 11. | 841-591C | HH3/8R2 067 3/4FJIC E-Z FLEX | | |

Hydraulic Angle Option S/N 985650+

Applies to LR1660, LR1672, LR1684, LR1696



39374

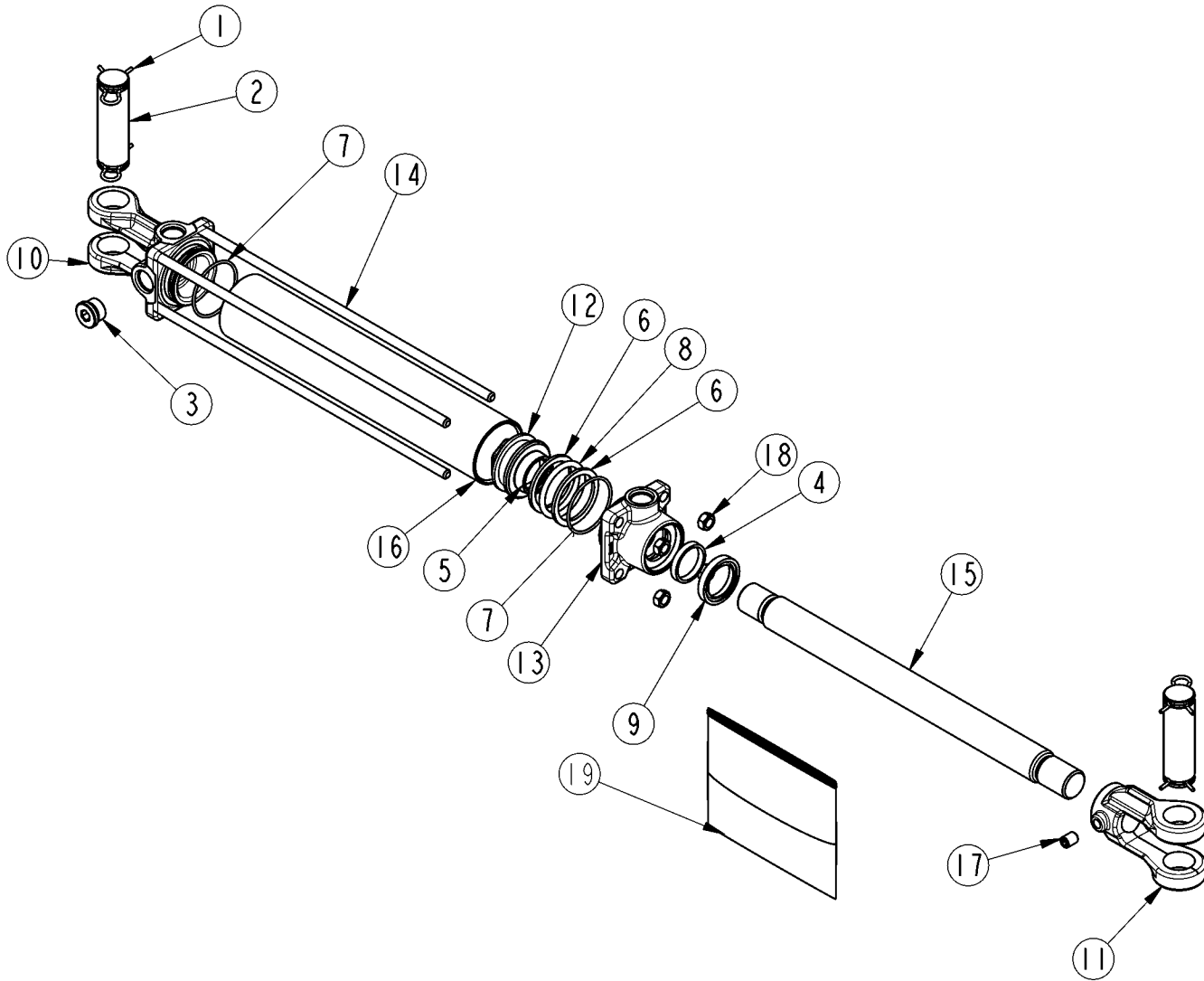
Hydraulic Angle Option S/N 985650+

Applies to LR1660, LR1672, LR1684, LR1696

| Ref | Part No. | Part Description | Comments | Revision |
|-----|----------|----------------------------------|----------|----------|
| | dwg39374 | Drawing Image Number | | |
| | 301-526A | RB/LR16 HYDRAULIC ANGLE KIT * | | |
| 1. | 301-402H | WLDMNT, RB16 FRNT CYL MOUNT | | |
| 2. | 301-523H | RB16/26 HYD ANG PLATE | | |
| 3. | 802-594C | HHCS 3/4-10X5 1/2 GR5 | | |
| 4. | 802-658C | HFS 1/2-13 X 3 1/2 GR5 PLT | | |
| 5. | 803-169C | NUT HEX FLG LOCK 1/2-13 PLT | | |
| 6. | 803-299C | NUT HEX FLG TOP LK 3/4-10 PLT | | |
| 7. | 810-746C | CYL 2X10X1.12 ROD (TIE) | | |
| 8. | 811-063C | EL 3/4MJIC 3/4MORB | | |
| 9. | 811-088C | AD 3/4MORB 3/4MJIC | | |
| 10. | 841-590C | HH3/8R2 054 3/4FJIC E-Z FLEX | | |
| 11. | 841-591C | HH3/8R2 067 3/4FJIC E-Z FLEX | | |

Hydraulic Cylinder (810-746C)

Applies to LR1660, LR1672, LR1684, LR1696



33417

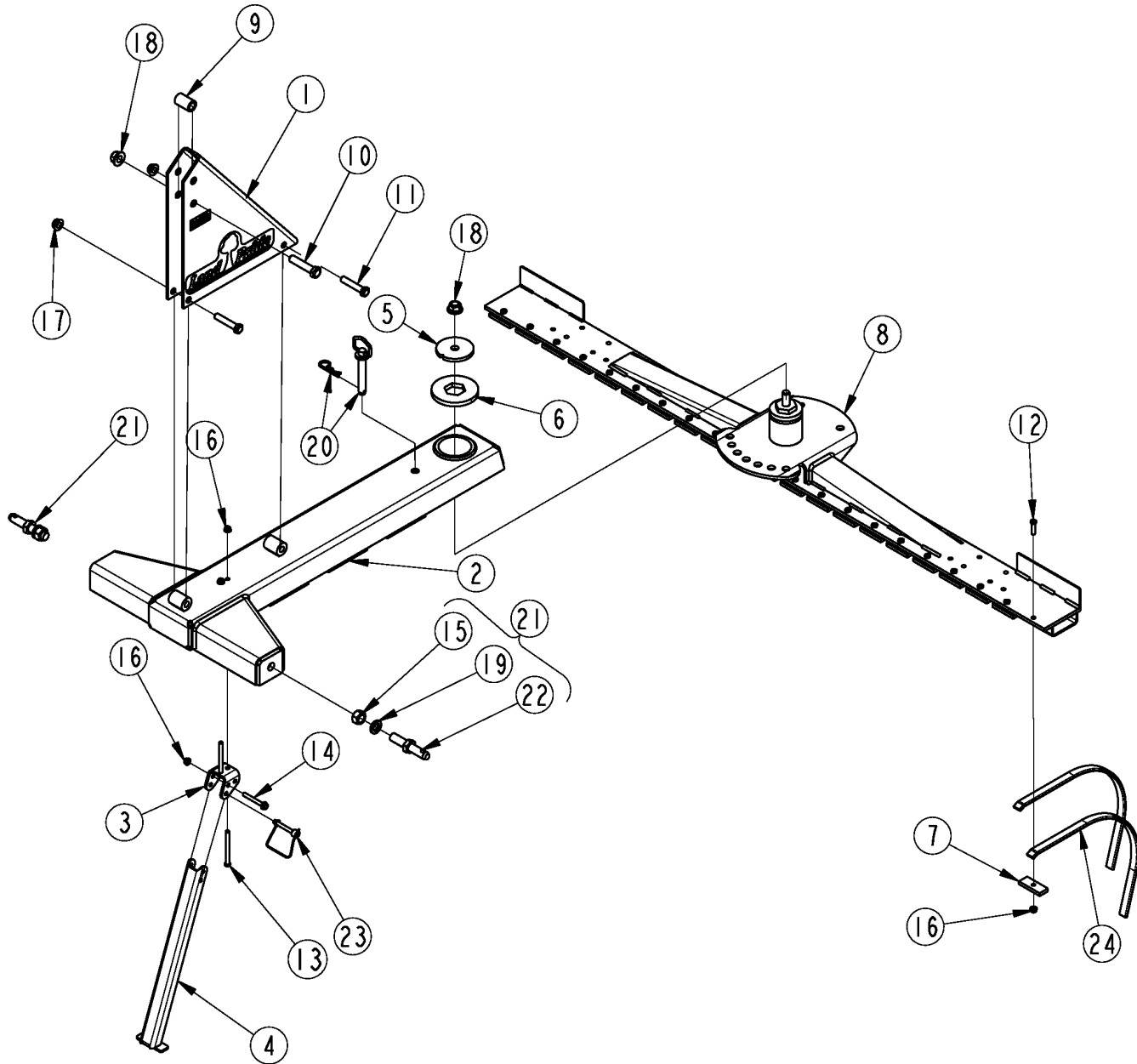
Hydraulic Cylinder (810-746C)

Applies to LR1660, LR1672, LR1684, LR1696

| Ref | Part No. | Part Description | Comments | Revision |
|-----|-----------------------|--|----------|----------|
| | Dwg 33417 810-746C | Drawing Image Number CYL 2X10X1.12 ROD (TIE) * | | |
| 1. | 134952 | LION PIN CLIP-CLEVIS | | |
| 2. | 134953 | LION PIN | | |
| 3. | 186562 | LION PLUG 3/4-16UNF SOCKET HD | | |
| 4. | N/A | MON SEAL HALLITE 605 ROD 1.13 | | |
| 5. | N/A | MON O-RING 024 1.125X1.225 N90 | | |
| 6. | N/A | MON SEAL BU#326 19PI-326 | | |
| 7. | N/A | MON O-RING 133 1.812X2 BUNA D9 | | |
| 8. | N/A | MON O-RING 326 1.63X2 D90 | | |
| 9. | N/A | LION WIPER SEAL | | |
| 10. | 293008 | MON CLEVIS CAP 2.00-3/4ORD-1.0 | | |
| 11. | 293009 | MON ROD CLEVIS 1.00-1.00 TX | | |
| 12. | 293010 | MON PISTON 2.00 TX | | |
| 13. | 293016 | MON ROD CAP 2.00-1.13-3/4 ORB | | |
| 14. | 494178 | RPBY 292508 | Obsolete | |
| 15. | 497509 | MON ROD 1.12-10-1.00-1.00 TX | | |
| 16. | 498508 | MON TUBE 2.00-10 TX CYL | | |
| 17. | 801-023C | SCREW SET SH 3/8-16X3/8 TYPE C | | |
| 18. | 803-008C | NUT HEX 5/16-18 PLT | | |
| 19. | 810-252C | SEAL KIT LN 639572 2.0BX1.125R | | |

Frame and Rake S/N 985649-

Applies to LR2684, LR2696



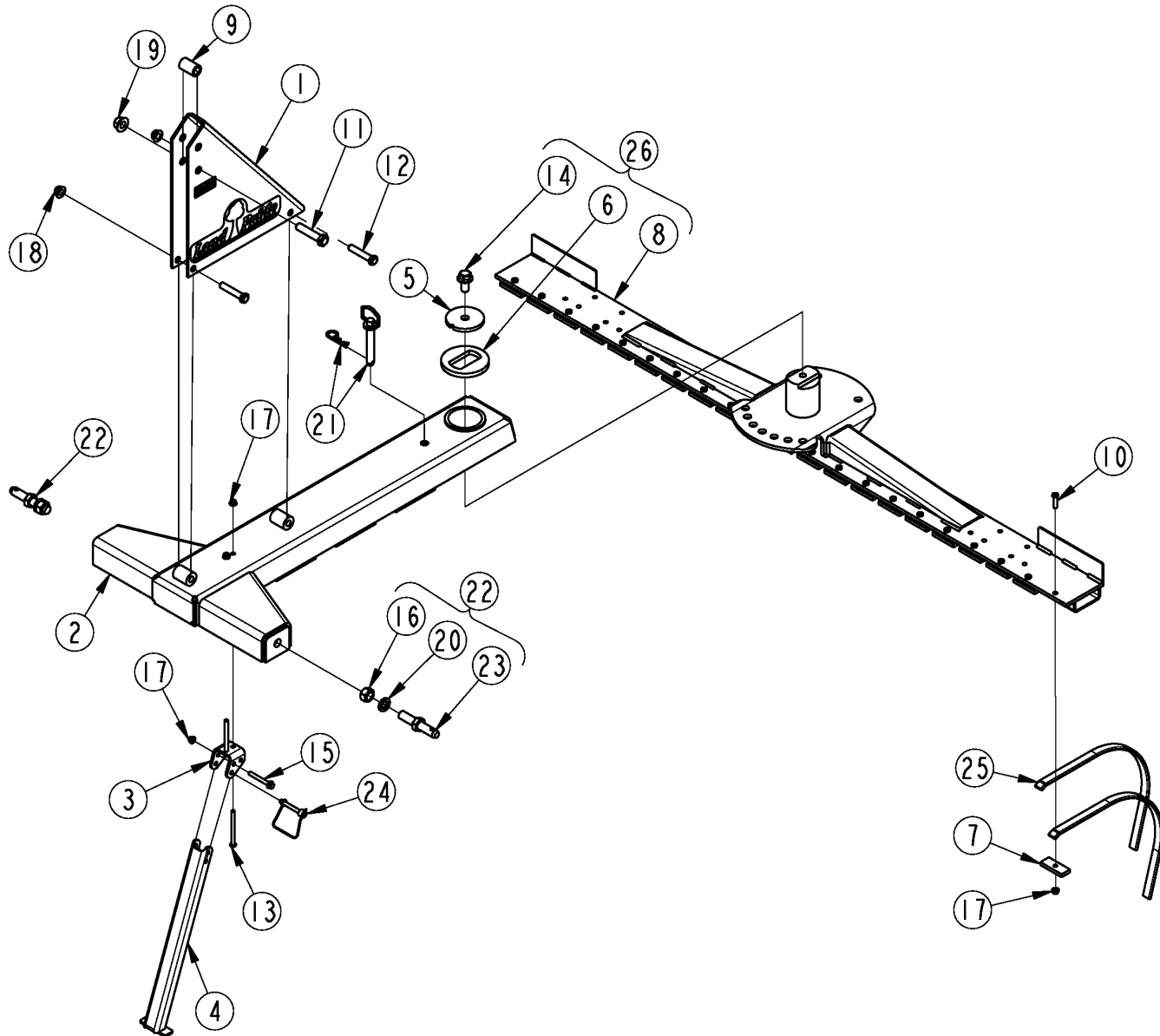
35083

Frame and Rake S/N 985649-**Applies to LR2684, LR2696**

| Ref | Part No. | Part Description | Comments | Revision |
|------------|-----------------|--------------------------------|-----------------------------|-----------------|
| | Dwg 35083 | Drawing Image Number | | |
| 1. | 300-125S | 25/26 UPPER HITCH W/DECALS | | |
| 1. | 300-125S81 | 25/26 UPPER HITCH GREEN | | |
| 1. | 300-125S82 | 25/26 UPPER HITCH ORANGE | | |
| 2. | 300-245H | WLDMNT, RB26 SERIES FRAME | | |
| 2. | 300-245H81 | WLDMNT, RB26 GREEN FRAME | | |
| 2. | 300-245H82 | WLDMNT, RB26 ORANGE FRAME | | |
| 3. | 300-487D | MOUNT, RB16/26/36 SUPPORT STND | | |
| 4. | 300-504D | STAND, RB26/36 SUPPORT | | |
| 5. | 301-240D | 40 PIVOT CAP | S/N 911765+ | |
| 5. | 301-303D | RETAINER CAP | S/N 911764- | |
| 6. | 301-466D | PLATE, HEX DRIVE PIVOT CAP | | |
| 7. | 302-130D | RAKE TINE CLIP | | |
| 8. | 302-293H | RPBY 302-314S | | |
| 8. | 302-294H | RPBY 302-315S | | |
| 9. | 308-400D | SPACER 1 1/4OD X 13/16ID X 2LG | | |
| 10. | 802-066C | HHCS 3/4-10X3 1/2 GR5 | | |
| 11. | 802-160C | HHCS 5/8-11X3 1/4 GR5 | | |
| 12. | 802-022C | HHCS 3/8-16X1 1/2 GR5 | S/N 792755+ | |
| 12. | 802-569C | HFSS 3/8-16X1 1/2 GR5 | S/N 792754- | |
| 13. | 802-750C | HHCS 3/8-16X4 1/4 GR5 | | |
| 14. | 802-934C | HFS 3/8-16X3 GR5 ZNYCR | | |
| 15. | 803-149C | NUT HEX 7/8-14 PLT | | |
| 16. | 803-209C | NUT FLANGE LOCK 3/8-16 PLT | | |
| 17. | 803-263C | NUT HEX FLANGE LOCK 5/8-11 PLT | | |
| 18. | 803-299C | NUT HEX FLG TOP LK 3/4-10 PLT | | |
| 19. | 804-037C | WASHER LOCK SPRING 7/8 PLT | | |
| 20. | 805-081C | PIN HITCH 3/4 X 4 3/8 | | |
| 21. | 805-111C | PIN DRAW 7/8 X 5 | | |
| 22. | N/A | PIN DRAW 7/8 X 5 | | |
| 23. | 805-212C | PIN WIRE SNAP LOCK 3/8 X 2 1/2 | | |
| 24. | 820-037C | RAKE TOOTH 1 | 84" 42 Total & 96" 48 Total | |

Frame and Rake S/N 985650+

Applies to LR2684, LR2696



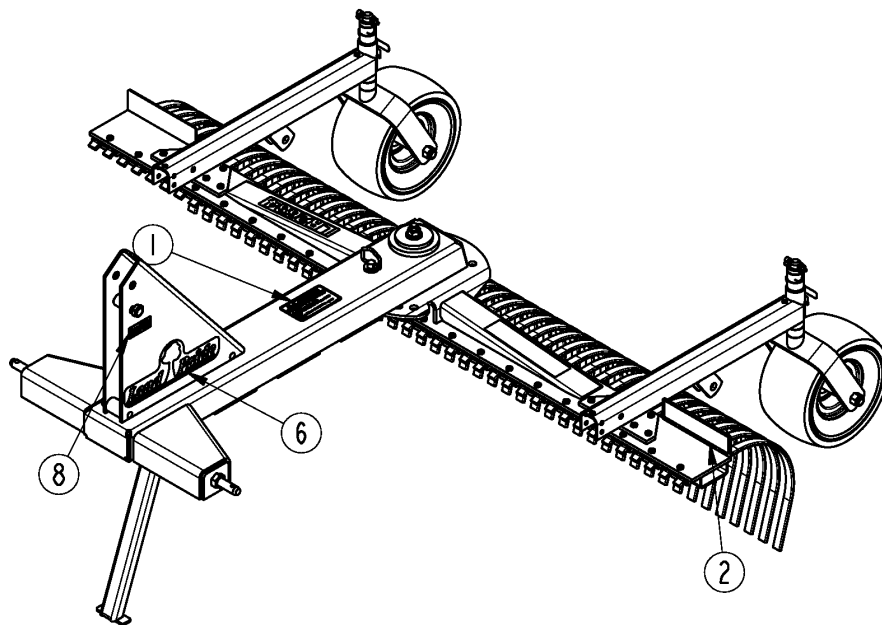
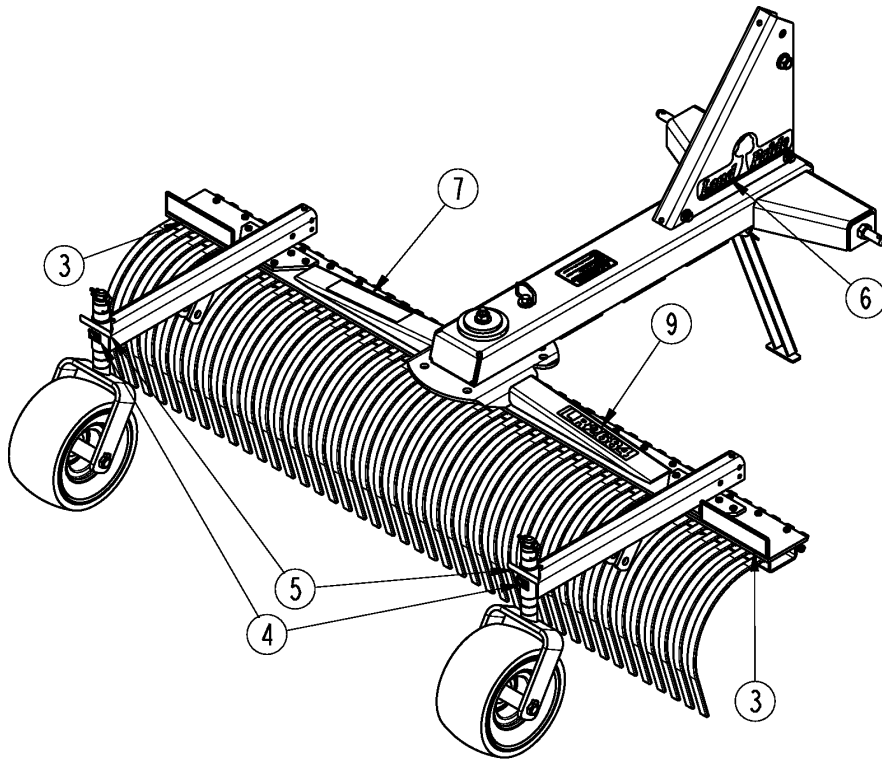
39381

Frame and Rake S/N 985650+**Applies to LR2684, LR2696**

| Ref | Part No. | Part Description | Comments | Revision |
|------------|-----------------|--------------------------------|-----------------------------|-----------------|
| | dwg39381 | Drawing Image Number | | |
| 1. | 300-125S | 25/26 UPPER HITCH W/DECALS | | |
| 1. | 300-125S81 | 25/26 UPPER HITCH GREEN | | |
| 1. | 300-125S82 | 25/26 UPPER HITCH ORANGE | | |
| 2. | 300-245H | WLDMNT, RB26 SERIES FRAME | | |
| 2. | 300-245H81 | WLDMNT, RB26 GREEN FRAME | | |
| 2. | 300-245H82 | WLDMNT, RB26 ORANGE FRAME | | |
| 3. | 300-487D | MOUNT, RB16/26/36 SUPPORT STND | | |
| 4. | 300-504D | STAND, RB26/36 SUPPORT | | |
| 5. | 301-240D | 40 PIVOT CAP | | |
| 6. | 301-637D | DRIVE PIVOT CAP | | |
| 7. | 302-130D | RAKE TINE CLIP | | |
| 8. | 302-312H | LR2684 RAKE MOUNT | | |
| 8. | 302-313H | LR2696 RAKE MOUNT | | |
| 9. | 308-400D | SPACER 1 1/4OD X 13/16ID X 2LG | | |
| 10. | 802-022C | HHCS 3/8-16X1 1/2 GR5 | | |
| 11. | 802-066C | HHCS 3/4-10X3 1/2 GR5 | | |
| 12. | 802-160C | HHCS 5/8-11X3 1/4 GR5 | | |
| 13. | 802-750C | HHCS 3/8-16X4 1/4 GR5 | | |
| 14. | 802-897C | HFS 3/4-10X1 1/2 GR 5 PLT | | |
| 15. | 802-934C | HFS 3/8-16X3 GR5 ZNYCR | | |
| 16. | 803-149C | NUT HEX 7/8-14 PLT | | |
| 17. | 803-209C | NUT FLANGE LOCK 3/8-16 PLT | | |
| 18. | 803-263C | NUT HEX FLANGE LOCK 5/8-11 PLT | | |
| 19. | 803-299C | NUT HEX FLG TOP LK 3/4-10 PLT | | |
| 20. | 804-037C | WASHER LOCK SPRING 7/8 PLT | | |
| 21. | 805-081C | PIN HITCH 3/4 X 4 3/8 | | |
| 22. | 805-111C | PIN DRAW 7/8 X 5 | | |
| 23. | N/A | PIN DRAW 7/8 X 5 | | |
| 24. | 805-212C | PIN WIRE SNAP LOCK 3/8 X 2 1/2 | | |
| 25. | 820-037C | RAKE TOOTH 1 | 84" 42 Total & 96" 48 Total | |
| 26. | 302-314S | LR2684 RAKE MOUNT ASSY | | |
| 26. | 302-315S | LR2696 RAKE MOUNT ASSY | | |

Decal Placement

Applies to LR2684, LR2696



35084

Decal Placement**Applies to LR2684, LR2696**

| Ref | Part No. | Part Description | Comments | Revision |
|------------|-----------------|--------------------------------|-----------------------------|-----------------|
| | dwg35084 | Drawing Image Number | | |
| 1. | 818-202C | DECAL CAUTION FALL MBOARD/RAKE | | |
| 2. | 838-615C | DECAL REFLECTOR AMBER 2X9 | S/N 821694+LR2696 | |
| 2. | 818-229C | DECAL AMBER REFLECTOR | S/N 821693- LR2696 | |
| 3. | 838-614C | DECAL REFLECTOR RED 2X9 | S/N 821694+ LR2684 & LR2696 | |
| 3. | 818-230C | DECAL RED REFLECTOR | S/N 821693- LR2696 | |
| 4. | 818-298C | DECAL GREASE 25HRS BLACK/WHITE | | |
| 5. | 818-335C | DECAL RED NARROW REFLECTOR | | |
| 6. | 818-891C | RPBY 838-962C | Beige Unit | |
| 6. | 838-962C | DECAL LP 13" W/TREE BROWN/GOLD | Green & Orange Unit | |
| 7. | 848-159C | DECAL LANDPRIDE 10" BROWN/GOLD | S/N 822206+ | |
| 7. | 818-898C | RPBY 848-159C | S/N 822205- | |
| 8. | 838-517C | DECAL QUICK HITCH SYSTEM | | |
| 9. | 848-877C | DECAL, LR2684 GOLD | | |
| 9. | 848-878C | DECAL, LR2696 GOLD | | |

Touch-up Paints - LP

Applies to LR2684, LR2696

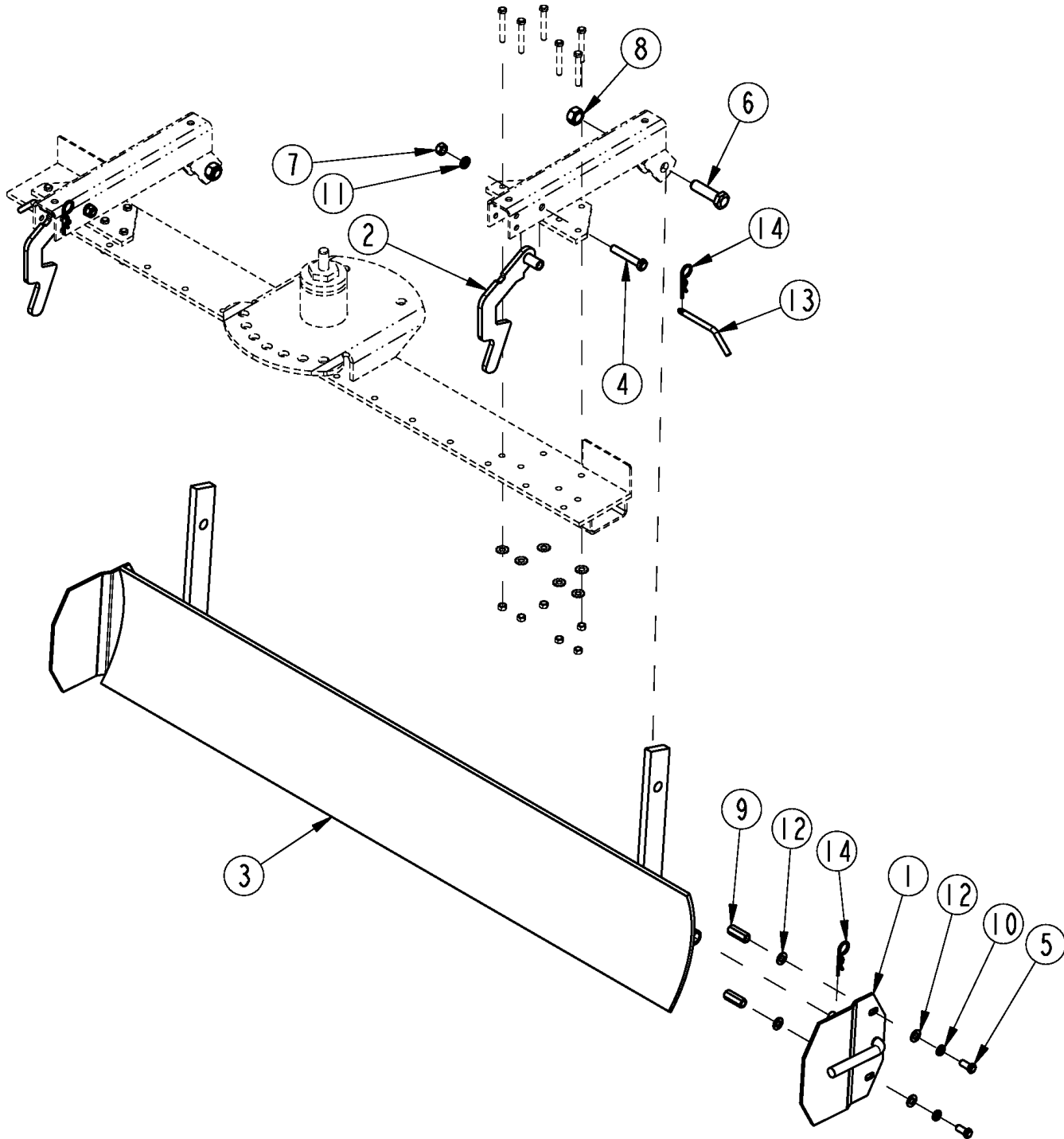
No diagram associated with this Parts List

Touch-up Paints - LP**Applies to LR2684, LR2696**

| Ref | Part No. | Part Description | Comments | Revision |
|------------|-----------------|-------------------------------|----------------------------|-----------------|
| 1. | 821-011C | LP BEIGE SPRAY CAN | Spray can | |
| 1. | 821-011CTU | LP BEIGE TOUCH-UP 5OZ | Touch-up bottle with brush | |
| 1. | 821-011CQT | LP BEIGE QUART | Quart can | |
| 1. | 821-011CGL | LP BEIGE GALLON | Gallon can | |
| 2. | 821-070C | GLOSS BLACK SPRAY CAN | Spray can | |
| 2. | 821-070CTU | GLOSS BLACK TOUCH-UP 5OZ | Touch-up bottle with brush | |
| 2. | 821-070CQT | GLOSS BLACK QUART | Quart can | |
| 2. | 821-070CGL | GLOSS BLACK GALLON | Gallon can | |
| 3. | 821-054C | MED. RED SPRAY TRCK/CTR | Spray can | |
| 3. | 821-054CTU | MED RED TOUCH-UP 5OZ | Touch-up bottle with brush | |
| 3. | 821-054CQT | MED RED QUART | Quart can | |
| 3. | 821-054CGL | MED RED GALLON | Gallon can | |
| 4. | 821-058C | GREEN SPRAY CUTTERS | Spray can | |
| 4. | 821-058CTU | GREEN TOUCH-UP 5OZ | Touch-up bottle with brush | |
| 4. | 821-058CQT | GREEN QUART | Quart can | |
| 4. | 821-058CGL | GREEN GALLON | Gallon can | |
| 5. | 821-066C | ORANGE SPRAY CAN | Spray can | |
| 5. | 821-066CTU | ORANGE TOUCH-UP 5OZ | Touch-up bottle with brush | |
| 5. | 821-066CQT | ORANGE QUART | Quart can | |
| 5. | 821-066CGL | ORANGE GALLON | Gallon can | |
| 6. | 821-067C | BLUE SPRAY CAN | Spray can | |
| 6. | 821-067CTU | BLUE TOUCH-UP 5OZ | Touch-up bottle with brush | |
| 6. | 821-067CQT | BLUE QUART | Quart can | |
| 6. | 821-067CGL | BLUE GALLON | Gallon can | |
| 7. | 821-080C | PAINT ALUMINUM/ZINC SPRAY CAN | Spray can | |
| 7. | 821-080CTU | PAINT ALUMINUM/ZINC TOUCH UP | Touch-up bottle with brush | |
| 7. | 821-080CQT | PAINT ALUMINUM/ZINC QUART | Quart can | |
| 7. | 821-080CGL | PAINT ALUMINUM/ZINC GALLON | Gallon can | |

Flip Down Grader Blade

Applies to LR2684, LR2696



33894

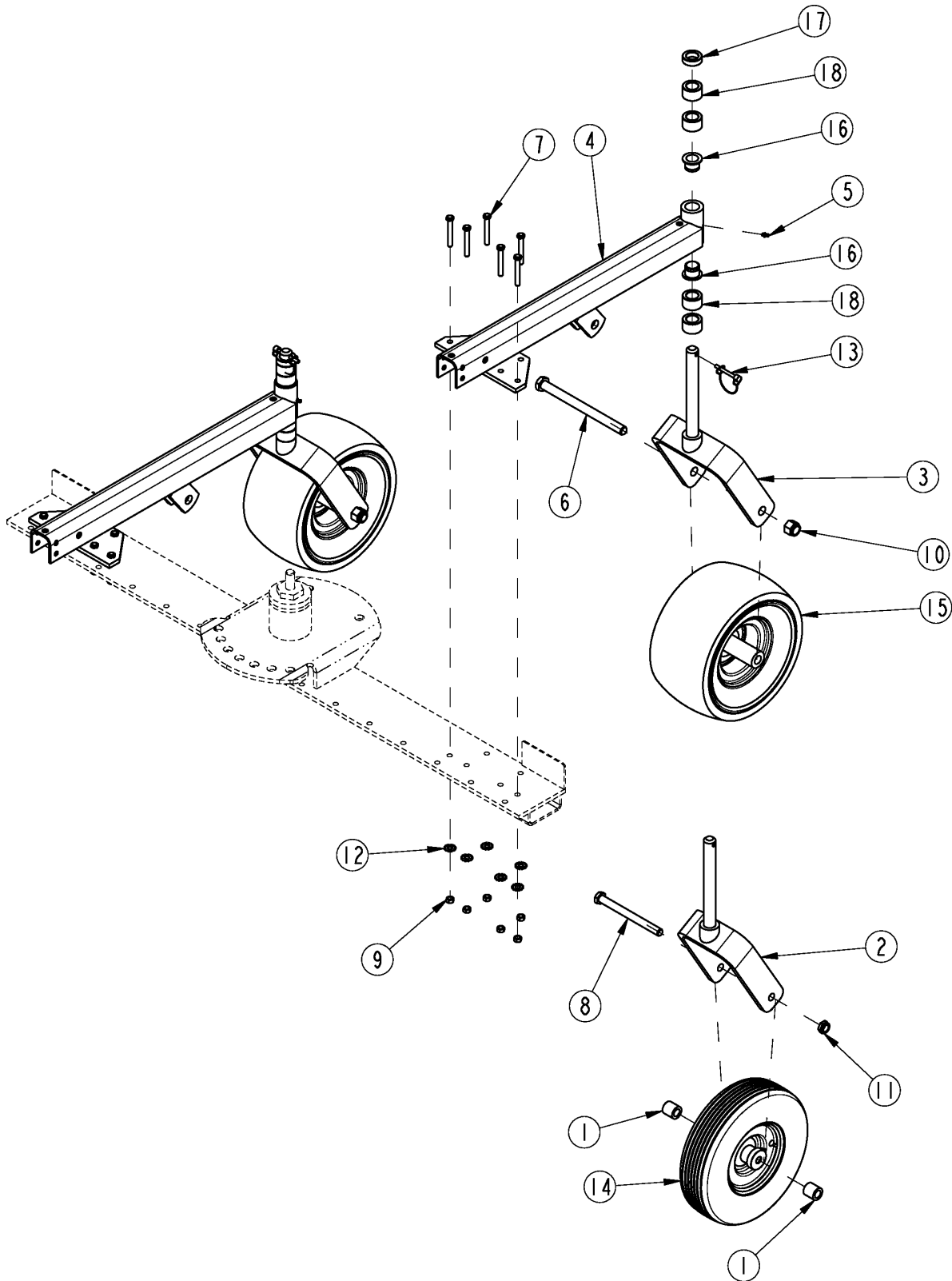
Flip Down Grader Blade

Applies to LR2684, LR2696

| Ref | Part No. | Part Description | Comments | Revision |
|-----|----------|--------------------------------|----------|----------|
| | dwg33894 | Drawing Image Number | | |
| 1. | 302-017H | SIDE PLATE WELDMENT | | |
| 2. | 302-097H | BLADE LOCK HANDLE WELDMENT | | |
| 3. | 302-145H | 5' GRADER BLADE WELDMENT | | |
| 3. | 302-098H | 6' GRADER BLADE WELDMENT | | |
| 3. | 302-099H | 7' GRADER BLADE WELDMENT | | |
| 3. | 302-100H | 8' GRADER BLADE WELDMENT | | |
| 4. | 802-039C | HHCS 1/2-13X3 GR5 | | |
| 5. | 802-080C | HHCS 7/16-14X1 GR5 | | |
| 6. | 802-086C | HHCS 3/4-10X2 3/4 GR5 | | |
| 7. | 803-020C | NUT HEX 1/2-13 PLT | | |
| 8. | 803-026C | NUT LOCK 3/4-10 PLT | | |
| 9. | 803-067C | NUT HEX CPLR 7/16-14X1 3/4 PLT | | |
| 10. | 804-014C | WASHER LOCK 7/16 PLT | | |
| 11. | 804-015C | WASHER LOCK SPRING 1/2 PLT | | |
| 12. | 804-041C | WASHER FLAT 7/16 SAE PLT | | |
| 13. | 805-001C | PIN 3/8 X 3 USABLE LW/PIN | | |
| 14. | 805-032C | PIN HAIR COTTER .148 WIRE | | |

Gauge Wheel Dual

Applies to LR2684, LR2696



33892

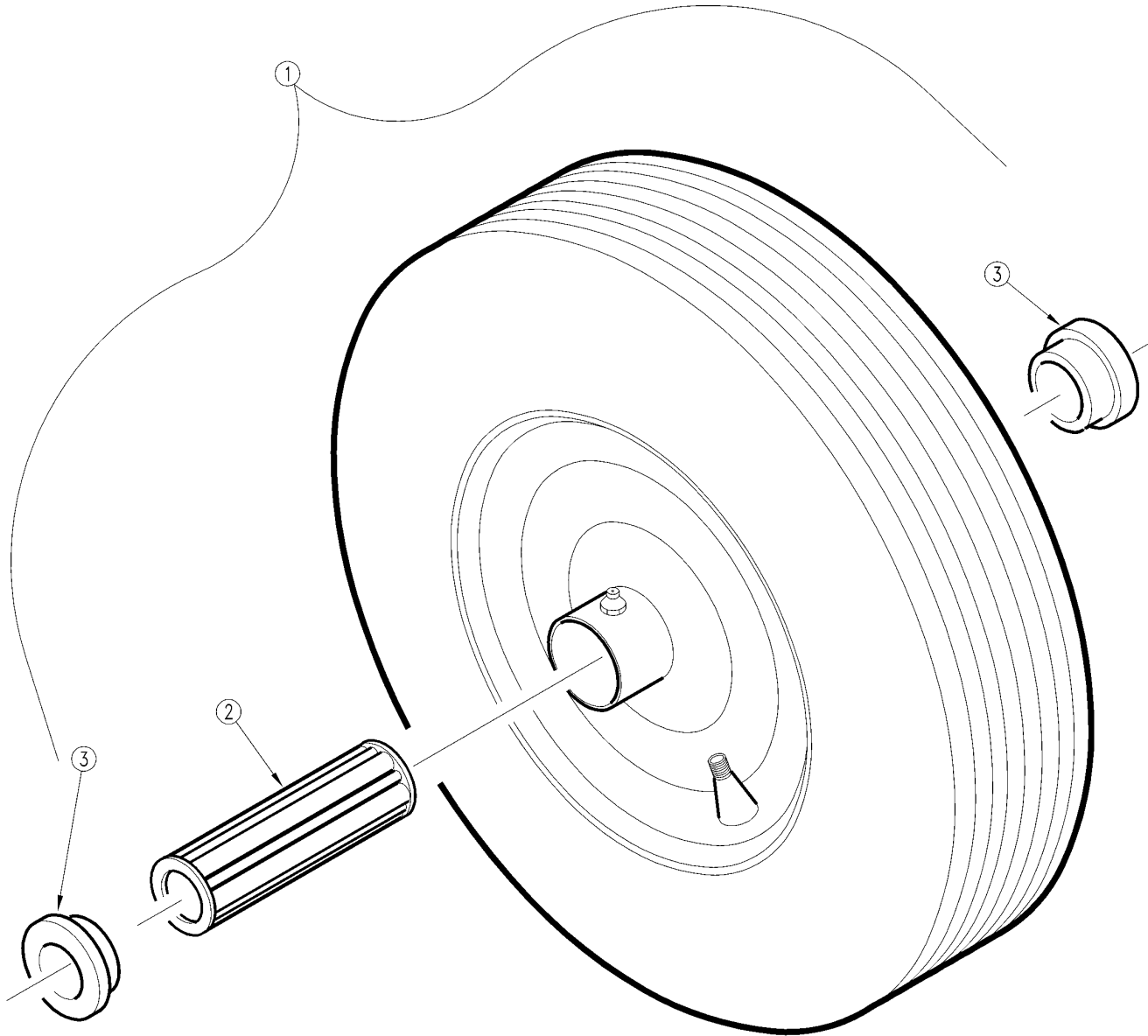
Gauge Wheel Dual

Applies to LR2684, LR2696

| Ref | Part No. | Part Description | Comments | Revision |
|------------|-----------------|--------------------------------|-----------------|-----------------|
| | dwg33892 | Drawing Image Number | | |
| 1. | 302-076D | WHEEL SPACER | | |
| 2. | 302-095H | NARROW GW YOKE WELDMENT | | |
| 3. | 302-096H | WIDE GW YOKE WELDMENT | | |
| 4. | 302-202H | RAKE DUAL G.W. WELDMENT | | |
| 5. | 800-001C | GREASE ZERK STRAIGHT 1/4-28 | | |
| 6. | 802-072C | HHCS 3/4-10X9 1/2 GR5 | | |
| 7. | 802-216C | HHCS 3/8-16X2 3/4 GR5 | | |
| 8. | 802-262C | HHCS 5/8-11X7 GR5 | | |
| 9. | 803-014C | NUT HEX 3/8-16 PLT | | |
| 10. | 803-025C | NUT HEX 3/4-10 PLT NYLOCK | | |
| 11. | 803-094C | NUT 5/8-11 NYLON COLLAR THIN | | |
| 12. | 804-060C | WASHER INT-EXT 3/8 PLT | | |
| 13. | 805-065C | PIN WIRE RETAINING 1/4 X 1 3/4 | | |
| 14. | 814-041C | WHEEL & TIRE PNEU 4.10 X 6 | | |
| 15. | 814-053C | TIRE & WHL 13/6.50X6 W/3/4 BOR | | |
| 16. | 817-048C | SPINDLE BUSHING | | |
| 17. | 827-001C | SPACER 1/2 | | |
| 18. | 827-002C | SPACER 1 | | |

Gauge Wheel Tire (814-041C) 4" Wide

Applies to LR2684, LR2696



13625

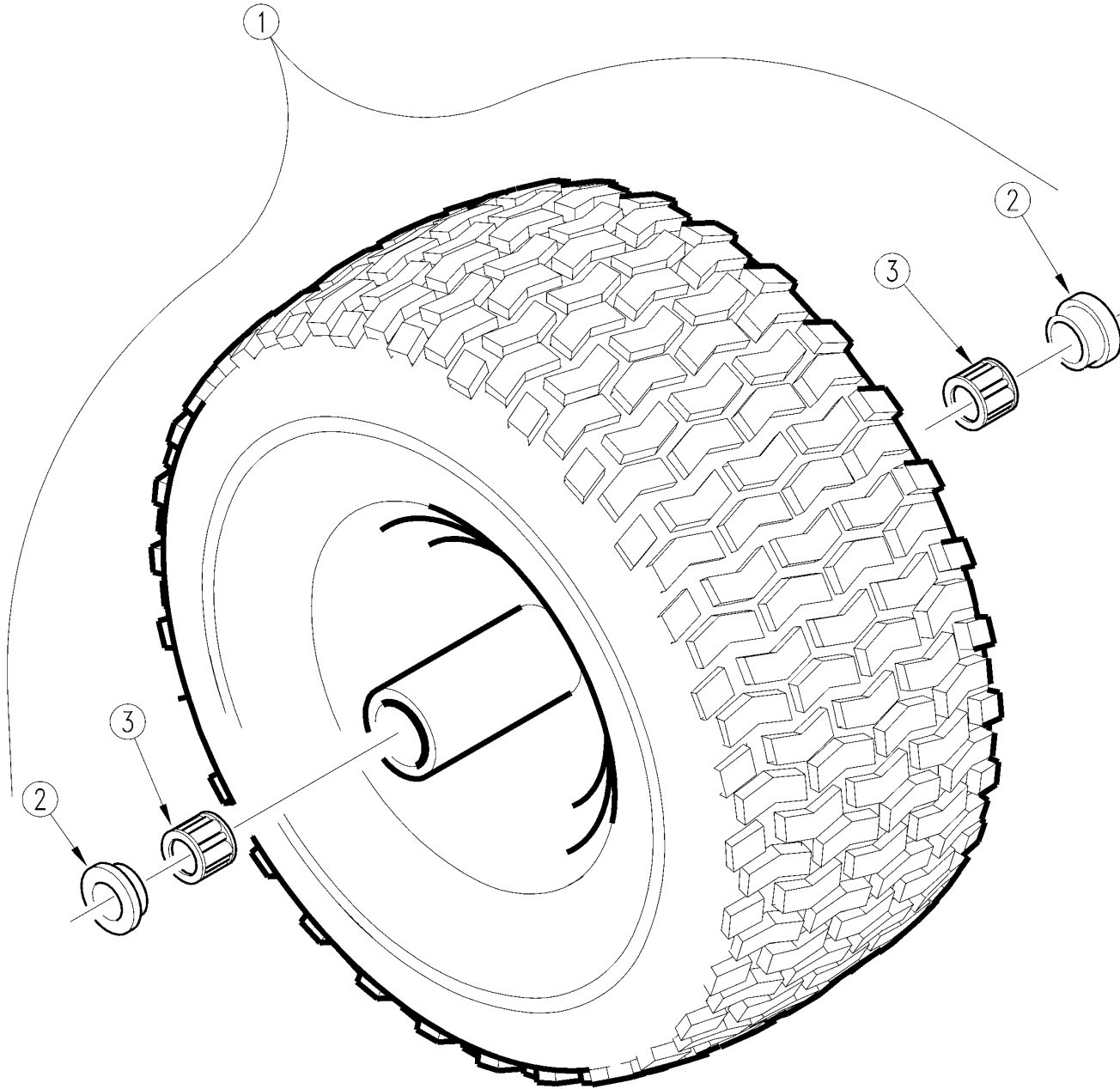
Gauge Wheel Tire (814-041C) 4" Wide

Applies to LR2684, LR2696

| Ref | Part No. | Part Description | Comments | Revision |
|-----|----------|--------------------------------|--------------|----------|
| | dwg13625 | Drawing Image Number | | |
| 1. | 814-041C | WHEEL & TIRE PNEU 4.10 X 6 | | |
| 2. | 822-089C | BEARING 5/8X1 3/8X1 GLEASON587 | two required | |
| 2. | 53-181 | TILDEN BRG 5/8IDX1 3/8ODX2 1/2 | one required | |
| 3. | 890-173C | END CAP GLEASON 4206 | | |
| 3. | 53-167 | TILDEN RTNR 5/8IDX1 3/8ODX1/4L | | |

Gauge Wheel Tire (814-053C)

Applies to LR2684, LR2696



19042

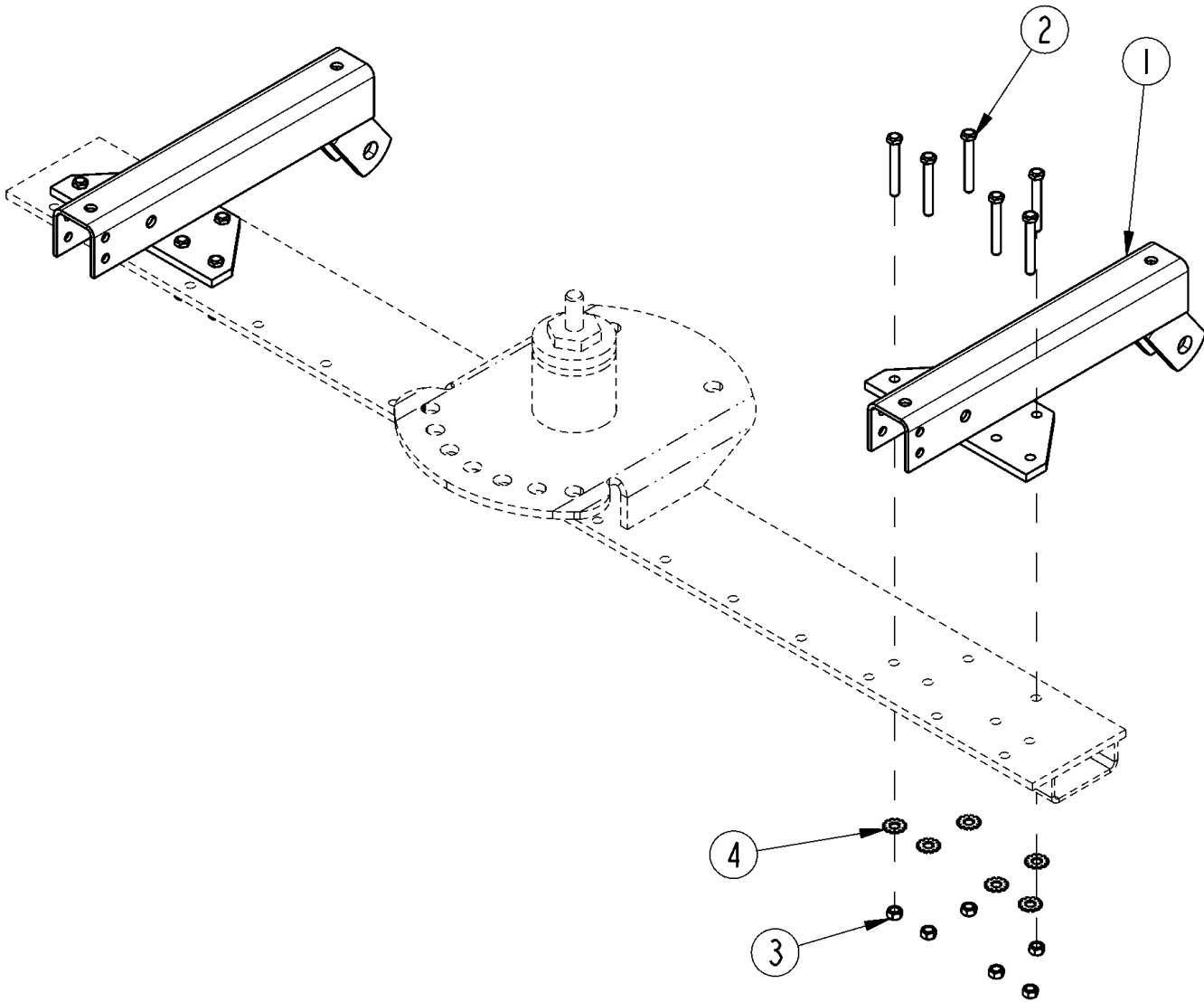
Gauge Wheel Tire (814-053C)

Applies to LR2684, LR2696

| Ref | Part No. | Part Description | Comments | Revision |
|------------|-----------------|--------------------------------|-----------------|-----------------|
| | dwg19042 | Drawing Image Number | | |
| 1. | 814-053C | TIRE & WHL 13/6.50X6 W/3/4 BOR | | |
| 2. | 53-164 | TILDEN RTNR 3/4IDX1 3/8ODX1/4L | | |
| 3. | 53-189 | TILDEN BRG 3/4ID1.34ODX15/16L | | |

Grader Blade Mounting Arms

Applies to LR2684, LR2696



33893

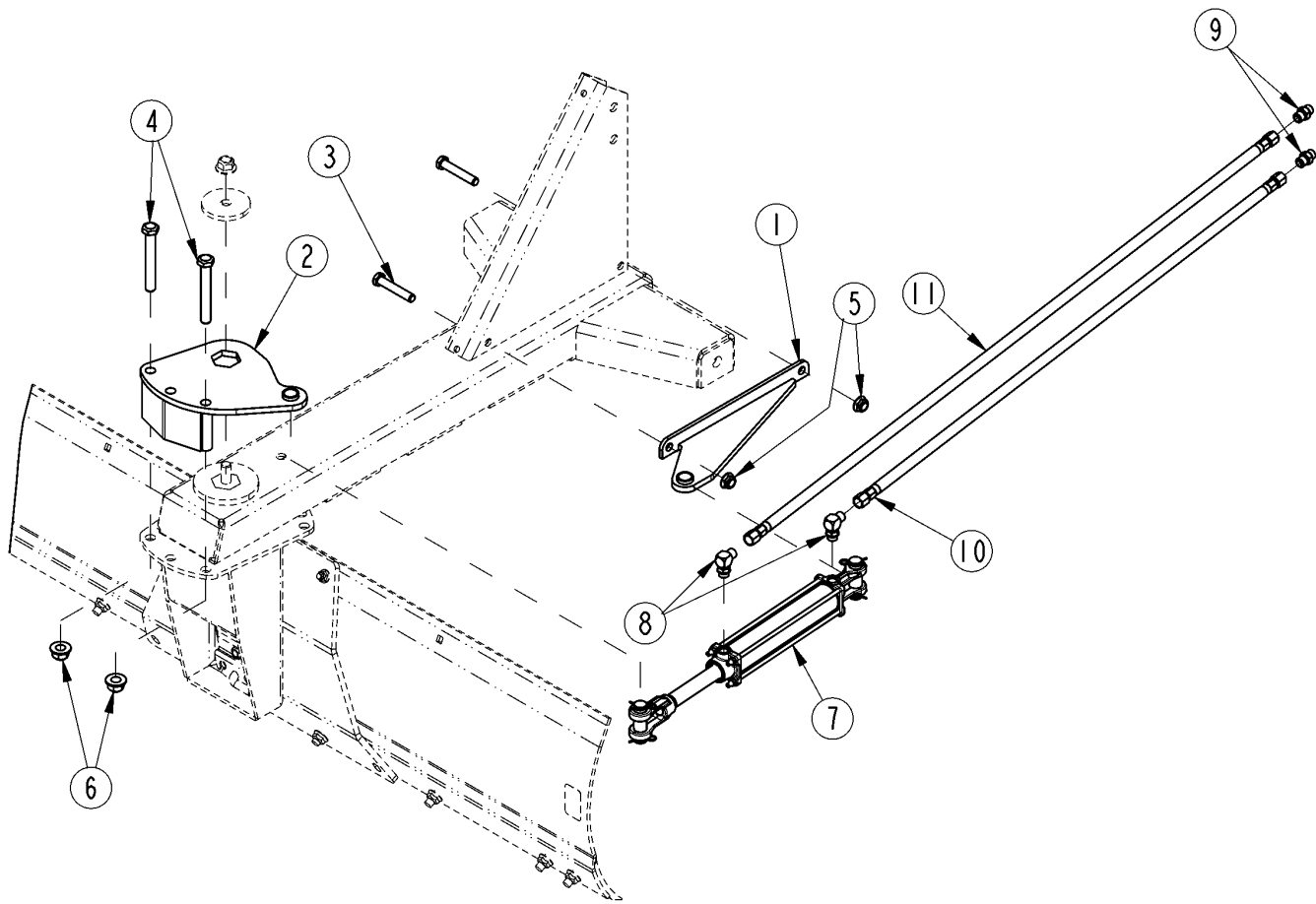
Grader Blade Mounting Arms

Applies to LR2684, LR2696

| Ref | Part No. | Part Description | Comments | Revision |
|------------|-----------------|--------------------------|-----------------|-----------------|
| | dwg33893 | Drawing Image Number | | |
| 1. | 302-204H | GRADER BLD MTG PULL TYPE | | |
| 2. | 802-216C | HHCS 3/8-16X2 3/4 GR5 | | |
| 3. | 803-014C | NUT HEX 3/8-16 PLT | | |
| 4. | 804-060C | WASHER INT-EXT 3/8 PLT | | |

Hydraulic Angle Option S/N 985649-

Applies to LR2684, LR2696



33416

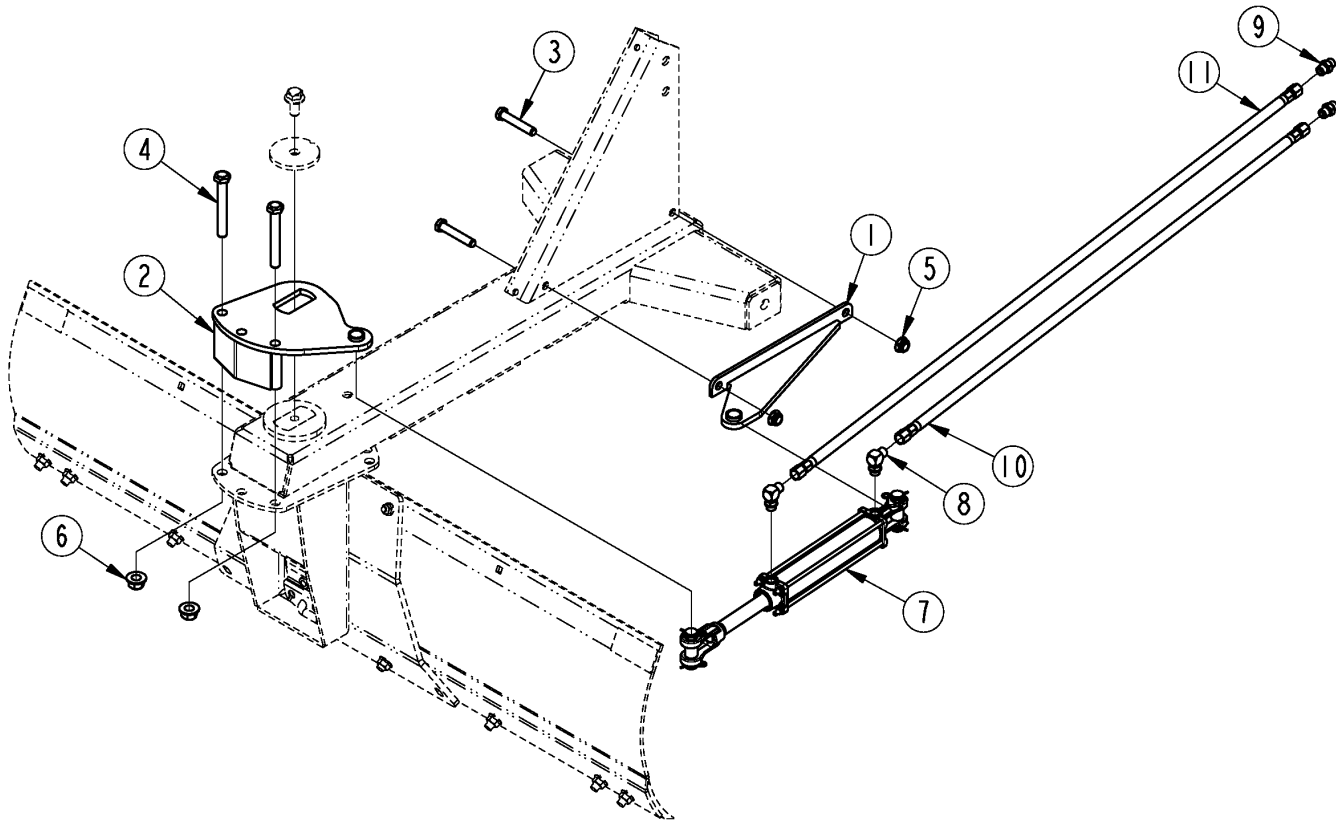
Hydraulic Angle Option S/N 985649-

Applies to LR2684, LR2696

| Ref | Part No. | Part Description | Comments | Revision |
|------------|-----------------|-----------------------------------|----------------------------------|-----------------|
| | dwg33416 | Drawing Image Number | | |
| | 301-426A | KIT, RB/LR26 HYDRAULIC ANGLE * | S/N 758065- May Require Grinding | |
| 1. | 301-403H | WLDMNT, RB26 FRNT CYL MOUNT | | |
| 2. | 301-424H | WLDMNT. RB16/26 HYD ANG PLATE | | |
| 3. | 802-162C | HHCS 5/8-11X3 1/2 GR5 | | |
| 4. | 802-594C | HHCS 3/4-10X5 1/2 GR5 | | |
| 5. | 803-263C | NUT HEX FLANGE LOCK 5/8-11 PLT | | |
| 6. | 803-299C | NUT HEX FLG TOP LK 3/4-10 PLT | | |
| 7. | 810-746C | CYL 2X10X1.12 ROD (TIE) | | |
| 8. | 811-063C | EL 3/4MJIC 3/4MORB | | |
| 9. | 811-088C | AD 3/4MORB 3/4MJIC | | |
| 10. | 841-590C | HH3/8R2 054 3/4FJIC E-Z FLEX | | |
| 11. | 841-591C | HH3/8R2 067 3/4FJIC E-Z FLEX | | |

Hydraulic Angle Option S/N 985650+

Applies to LR2684, LR2696



39375

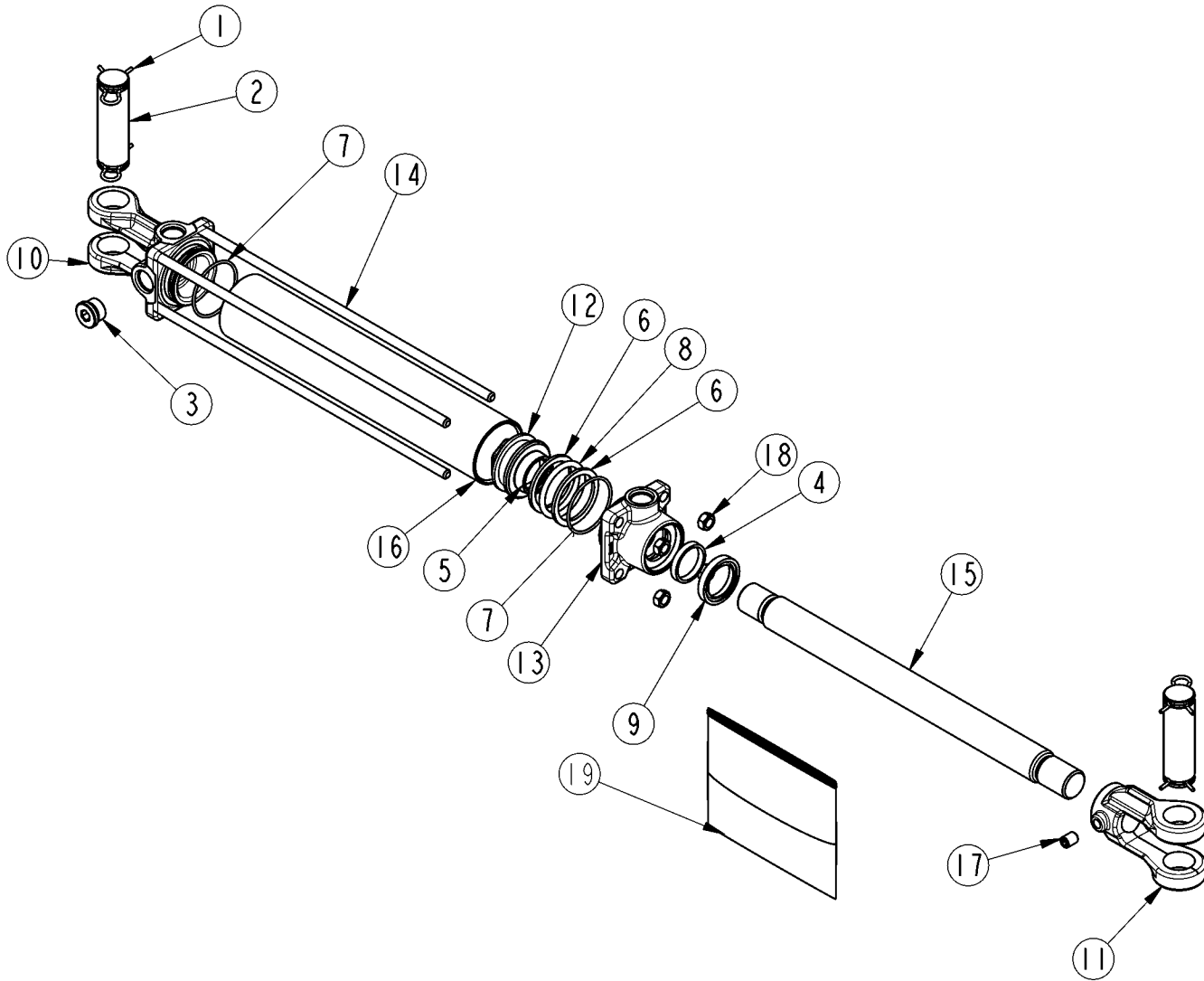
Hydraulic Angle Option S/N 985650+

Applies to LR2684, LR2696

| Ref | Part No. | Part Description | Comments | Revision |
|-----|----------|----------------------------------|----------|----------|
| | dwg39375 | Drawing Image Number | | |
| | 301-524A | RB/LR26 HYDRAULIC ANGLE KIT * | | |
| 1. | 301-403H | WLDMNT, RB26 FRNT CYL MOUNT | | |
| 2. | 301-523H | RB16/26 HYD ANG PLATE | | |
| 3. | 802-162C | HHCS 5/8-11X3 1/2 GR5 | | |
| 4. | 802-594C | HHCS 3/4-10X5 1/2 GR5 | | |
| 5. | 803-263C | NUT HEX FLANGE LOCK 5/8-11 PLT | | |
| 6. | 803-299C | NUT HEX FLG TOP LK 3/4-10 PLT | | |
| 7. | 810-746C | CYL 2X10X1.12 ROD (TIE) | | |
| 8. | 811-063C | EL 3/4MJIC 3/4MORB | | |
| 9. | 811-088C | AD 3/4MORB 3/4MJIC | | |
| 10. | 841-590C | HH3/8R2 054 3/4FJIC E-Z FLEX | | |
| 11. | 841-591C | HH3/8R2 067 3/4FJIC E-Z FLEX | | |

Hydraulic Cylinder (810-746C)

Applies to LR2684, LR2696



33417

Hydraulic Cylinder (810-746C)

Applies to LR2684, LR2696

| Ref | Part No. | Part Description | Comments | Revision |
|-----|-----------|--------------------------------|----------|----------|
| | Dwg 33417 | Drawing Image Number | | |
| | 810-746C | CYL 2X10X1.12 ROD (TIE) * | | |
| 1. | 134952 | LION PIN CLIP-CLEVIS | | |
| 2. | 134953 | LION PIN | | |
| 3. | 186562 | LION PLUG 3/4-16UNF SOCKET HD | | |
| 4. | N/A | MON SEAL HALLITE 605 ROD 1.13 | | |
| 5. | N/A | MON O-RING 024 1.125X1.225 N90 | | |
| 6. | N/A | MON SEAL BU#326 19PI-326 | | |
| 7. | N/A | MON O-RING 133 1.812X2 BUNA D9 | | |
| 8. | N/A | MON O-RING 326 1.63X2 D90 | | |
| 9. | N/A | LION WIPER SEAL | | |
| 10. | 293008 | MON CLEVIS CAP 2.00-3/4ORD-1.0 | | |
| 11. | 293009 | MON ROD CLEVIS 1.00-1.00 TX | | |
| 12. | 293010 | MON PISTON 2.00 TX | | |
| 13. | 293016 | MON ROD CAP 2.00-1.13-3/4 ORB | | |
| 14. | 494178 | RPBY 292508 | Obsolete | |
| 15. | 497509 | MON ROD 1.12-10-1.00-1.00 TX | | |
| 16. | 498508 | MON TUBE 2.00-10 TX CYL | | |
| 17. | 801-023C | SCREW SET SH 3/8-16X3/8 TYPE C | | |
| 18. | 803-008C | NUT HEX 5/16-18 PLT | | |
| 19. | 810-252C | SEAL KIT LN 639572 2.0BX1.125R | | |



Part Number Index

The Part Number Index is a numeric index of all part numbers included in this manual. The index shows what page(s) the part is used on.

| Part Number | Page | Part Number | Page | Part Number | Page |
|-------------|--------------|-------------|------------------------------|-------------|----------------------|
| 134952 | 29, 53 | 53-181 | 19, 43 | 821-054CQT | 13, 37 |
| 134953 | 29, 53 | 53-189 | 21, 45 | 821-054CTU | 13, 37 |
| 186562 | 29, 53 | 800-001C | 17, 41 | 821-058C | 13, 37 |
| 293008 | 29, 53 | 801-023C | 29, 53 | 821-058CGL | 13, 37 |
| 293009 | 29, 53 | 802-022C | 7, 9, 31, 33 | 821-058CQT | 13, 37 |
| 293010 | 29, 53 | 802-039C | 15, 39 | 821-058CTU | 13, 37 |
| 293016 | 29, 53 | 802-066C | 7, 9, 31, 33 | 821-066C | 13, 37 |
| 300-124S | 7, 9 | 802-072C | 17, 41 | 821-066CGL | 13, 37 |
| 300-124S81 | 7, 9 | 802-080C | 15, 39 | 821-066CQT | 13, 37 |
| 300-124S82 | 7, 9 | 802-086C | 15, 39 | 821-066CTU | 13, 37 |
| 300-125S | 31, 33 | 802-160C | 31, 33 | 821-067C | 13, 37 |
| 300-125S81 | 31, 33 | 802-162C | 49, 51 | 821-067CGL | 13, 37 |
| 300-125S82 | 31, 33 | 802-216C | 17, 23, 41, 47 | 821-067CQT | 13, 37 |
| 300-242H | 7, 9 | 802-262C | 17, 41 | 821-067CTU | 13, 37 |
| 300-242H81 | 7, 9 | 802-569C | 7, 31 | 821-070C | 13, 37 |
| 300-242H82 | 7, 9 | 802-594C | 25, 27, 49, 51 | 821-070CGL | 13, 37 |
| 300-245H | 31, 33 | 802-643C | 7, 9 | 821-070CQT | 13, 37 |
| 300-245H81 | 31, 33 | 802-656C | 7, 9 | 821-070CTU | 13, 37 |
| 300-245H82 | 31, 33 | 802-658C | 25, 27 | 821-080C | 13, 37 |
| 300-487D | 7, 9, 31, 33 | 802-750C | 9, 31, 33 | 821-080CGL | 13, 37 |
| 300-488D | 7, 9 | 802-897C | 9, 33 | 821-080CQT | 13, 37 |
| 300-504D | 31, 33 | 802-934C | 7, 9, 31, 33 | 821-080CTU | 13, 37 |
| 301-240D | 7, 9, 31, 33 | 803-008C | 29, 53 | 822-089C | 19, 43 |
| 301-303D | 7, 31 | 803-014C | 17, 23, 41, 47 | 827-001C | 17, 41 |
| 301-402H | 25, 27 | 803-020C | 15, 39 | 827-002C | 17, 41 |
| 301-403H | 49, 51 | 803-025C | 17, 41 | 838-517C | 11, 35 |
| 301-424H | 25, 49 | 803-026C | 15, 39 | 838-614C | 11, 35 |
| 301-425A | 25 | 803-067C | 15, 39 | 838-615C | 11, 35 |
| 301-426A | 49 | 803-094C | 17, 41 | 838-962C | 11, 35 |
| 301-466D | 7, 31 | 803-149C | 7, 9, 31, 33 | 841-590C | 25, 27, 49, 51 |
| 301-523H | 27, 51 | 803-169C | 7, 9, 25, 27 | 841-591C | 25, 27, 49, 51 |
| 301-524A | 51 | 803-209C | 7, 9, 31, 33 | 848-159C | 35 |
| 301-526A | 27 | 803-263C | 31, 33, 49, 51 | 848-161C | 11 |
| 301-637D | 9, 33 | 803-299C | 7, 9, 25, 27, 31, 33, 49, 51 | 848-873C | 11 |
| 302-017H | 15, 39 | 804-014C | 15, 39 | 848-874C | 11 |
| 302-076D | 17, 41 | 804-015C | 15, 39 | 848-875C | 11 |
| 302-095H | 17, 41 | 804-037C | 7, 9, 31, 33 | 848-876C | 11 |
| 302-096H | 17, 41 | 804-041C | 15, 39 | 848-877C | 35 |
| 302-097H | 15, 39 | 804-060C | 17, 23, 41, 47 | 848-878C | 35 |
| 302-098H | 15, 39 | 805-001C | 15, 39 | 858-095C | 11 |
| 302-099H | 15, 39 | 805-032C | 15, 39 | 890-173C | 19, 43 |
| 302-100H | 15, 39 | 805-065C | 17, 41 | Dwg 33417 | 29, 53 |
| 302-130D | 7, 9, 31, 33 | 805-081C | 7, 9, 31, 33 | Dwg 33851 | 7 |
| 302-145H | 15, 39 | 805-081C | 7, 9, 31, 33 | Dwg 35083 | 31 |
| 302-202H | 17, 41 | 805-111C | 7, 9, 31, 33 | Dwg 39380 | 9 |
| 302-204H | 23, 47 | 805-212C | 7, 9, 31, 33 | dwg13625 | 19, 43 |
| 302-272H | 7 | 810-252C | 29, 53 | dwg19042 | 21, 45 |
| 302-274H | 7 | 810-746C | 25, 27, 29, 49, 51, 53 | dwg33402 | 25 |
| 302-275H | 7 | 811-063C | 25, 27, 49, 51 | dwg33416 | 49 |
| 302-276H | 7 | 811-088C | 25, 27, 49, 51 | dwg33852 | 11 |
| 302-293H | 31 | 814-041C | 17, 19, 41, 43 | dwg33892 | 17, 41 |
| 302-294H | 31 | 814-053C | 17, 21, 41, 45 | dwg33893 | 23, 47 |
| 302-312H | 33 | 817-048C | 17, 41 | dwg33894 | 15, 39 |
| 302-313H | 33 | 817-927C | 7, 9 | dwg35084 | 35 |
| 302-314S | 33 | 818-202C | 11, 35 | dwg39374 | 27 |
| 302-315S | 33 | 818-229C | 11, 35 | dwg39375 | 51 |
| 302-316H | 9 | 818-230C | 11, 35 | dwg39381 | 33 |
| 302-317H | 9 | 818-298C | 11, 35 | N/A | 7, 9, 29, 31, 33, 53 |
| 302-318H | 9 | 818-335C | 11, 35 | | |
| 302-319H | 9 | 818-891C | 11, 35 | | |
| 302-320S | 9 | 818-898C | 35 | | |
| 302-321S | 9 | 818-900C | 11 | | |
| 302-322S | 9 | 820-037C | 7, 9, 31, 33 | | |
| 302-323S | 9 | 821-011C | 13, 37 | | |
| 308-400D | 7, 9, 31, 33 | 821-011CGL | 13, 37 | | |
| 494178 | 29, 53 | 821-011CQT | 13, 37 | | |
| 497509 | 29, 53 | 821-011CTU | 13, 37 | | |
| 498508 | 29, 53 | 821-054C | 13, 37 | | |
| 53-164 | 21, 45 | 821-054CGL | 13, 37 | | |
| 53-167 | 19, 43 | | | | |

This Page Intentionally Left Blank



Great Plains Manufacturing, Inc.

Corporate Office: P.O. Box 5060
Salina, Kansas 67402-5060 USA

www.landpride.com
