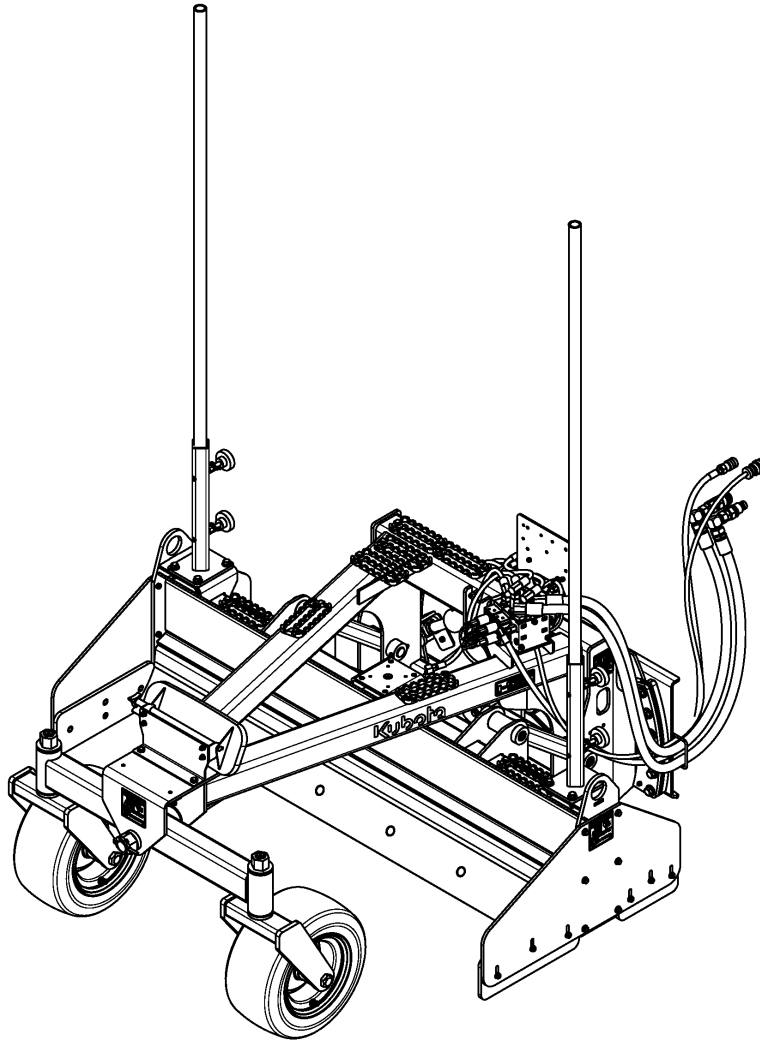


Grading Box Blade

AP-BB3072, AP-BB3084, & AP-BB3096



76219

301-635PK
Parts Manual

Kubota®



Read the Operator's Manual entirely. When you see this symbol, the subsequent instructions and warnings are serious - follow without exception. Your life and the lives of others depend on it!

© Copyright 2021 Printed 03/10/21

Cover photo may show optional equipment not supplied with standard unit.



Table of Contents

Section 1: Introduction.....	4
Using This Manual.....	4
Manual Replacement Information.....	4
Manual Revisions.....	4
Touch-up Paint.....	4
Hardware Legend.....	5
Replacement Hardware.....	5
Serial Numbers.....	5
Part Number Service Coding.....	5
Section 2: Hitch & Frame Components.....	6
Blade Carrier Assembly.....	6
Mainframe with Gauge Wheels & Mirror.....	8
Parabolic Mirror (891-867C).....	10
Parallel Lift Arms.....	12
Pivot Skid Hitch.....	14
Section 3: Hydraulics.....	16
2 Priority Proportional Valve with Hook-up Hoses.....	16
Arrangement of Hydraulic Cylinders and Hoses.....	18
Hydraulic Cylinder (Energy 850-236C).....	20
Hydraulic Cylinder (Monarch 850-338C).....	22
Valve 2 Priority Proportional (850-337C).....	24
Section 4: Options & Accessories.....	26
14 Pin Manual Control Harness (301-661A).....	26
Couplers Large Flat Faced.....	28
Electro-Hydraulic Conversion Kit (301-703K).....	30
Receiver Mast Assembly.....	32
Section 5: Decals & Paint.....	34
Decal Placement.....	34
Touch-up Paints - Kubota.....	36
Part Number Index.....	38

© Copyright 2021. All rights reserved.

Kubota provides this publication “as is” without warranty of any kind, either expressed or implied. While every precaution has been taken in the preparation of this manual, Kubota assumes no responsibility for errors or omissions. Neither is any liability assumed for damages resulting from the use of the information contained herein. Kubota reserves the right to revise and improve its products as it sees fit. This publication describes the state of this product at the time of its publication, and may not reflect the product in the future. The illustrations in this manual are not intended for safe and proper assembly or disassembly of equipment. The illustrations are intended for ordering parts only.

Kubota is registered trademark.

All other brands and product names are trademarks or registered trademarks of their respective holders.

Printed in the United States of America.



Alphabetized Table of Contents

1	14 Pin Manual Control Harness (301-661A).....	26
2	2 Priority Proportional Valve with Hook-up Hoses.....	16
A	Arrangement of Hydraulic Cylinders and Hoses.....	18
B	Blade Carrier Assembly.....	6
C	Couplers Large Flat Faced.....	28
D	Decal Placement.....	34
E	Electro-Hydraulic Conversion Kit (301-703K).....	30
H	Hydraulic Cylinder (Energy 850-236C).....	20
	Hydraulic Cylinder (Monarch 850-338C).....	22
M	Mainframe with Gauge Wheels & Mirror.....	8
P	Parabolic Mirror (891-867C).....	10
	Parallel Lift Arms.....	12
	Pivot Skid Hitch.....	14
R	Receiver Mast Assembly.....	32
T	Touch-up Paints - Kubota.....	36
V	Valve 2 Priority Proportional (850-337C).....	24

General Information

Using This Manual

This manual is divided into sections. The first section contains General Information. The remaining sections divide the machine into segments (i.e. Frames, Drives, Hydraulics, etc.) which illustrate and list all parts. A Parts Number Index is located at the back of the book.

The Kubota parts in this manual are specially designed for this machine and should be replaced with Kubota parts only.

The information in this manual is current at time of printing. Some parts may change to assure top performance.

Right-hand and left-hand as used in this manual are determined by facing the direction the machine will travel while in use.

Below is an example of two facing pages from a parts manual. Familiarize yourself with the type of information contained on these pages.

Manual Replacement Information

Replacement manuals are available. Refer to our website at www.landpride.com for additional information. Our website continues to provide the most up-to-date manuals available.

Touch-up Paint

Repaint parts where paint is worn or scratched to prevent rust. Aerosol cans and touch-up bottles with brush applicator are available through your local dealer. Also available are quart and gallon size paints. Add QT or GL to end of the Aerosol P/N.

Kubota color descriptions and part numbers are listed on the "Kubota Touch-up Paints" page in the "Decals" section of this book.



General Information

Hardware Legend

AR	As Required
BLADE	Blade Bolt
C	Cap Screw
CP	Cotter Pin
CPHSSS	Cup Point Hex Socket Set Screw
CPSHSS	Cup Point Square Head Set Screw
CPSQHSS	Cup Point Square Head Set Screw
CRFCHMS3	Cross Recess Flat Countersunk Head Machine Screw
CRPHMS	Cross Recess Pan Head Machine Screw
CRPHTFS	Cross Recess Pan Head Thread Forming
CRRHMS	Cross Recess Round Head Machine Screw
CRTHMS	Cross Recess Truss Head Machine Screw
CSNB	Countersunk Square Neck Bolt
FHMS	Flat Head Machine Screw
FTC	Full Thread Cap Screw
H	Hex Nut
HCLN	Hex Center Lock Nut
HFLCS	Hex Flange Lock Cap Screw
HFS	Hex Flange Screw
HFSLN	Hex Flange Serrated Lock Nut
HFSS	Hex Flange Serrated Screw
HHCS	Hex Head Cap Screw or Metric Bolt
HSBHCS	Hex Socket Button Head Cap Screw
HSFCHCS	Hex Socket Flat Countersunk Head Cap Screw
HSHCS	Hex Socket Head Cap Screw
HSSS	Hex Socket Head Screw
HTLN	Hex Top Lock Nut
HWHCS	Hex Washer Head Cap Screw

HWHMS	Hex Washer Head Machine Screw
HXBHCS	Hex Socket Button Head Cap Screw
J	Hex Jam Nut
JIC	37 Degree Tapered Thread
L	Helical Spring Lock Washer
LUG	Lug Bolt
NFC	National Fine Cap Screw
NPSM	National Pipe Straight Mechanical
NPTF	National Pipe Taper Fuel
P	Wide Plain Washer
PHMS	Pan Head Machine Screw
PLOW	Plow Bolt
RHMS	Round Head Machine Screw
RHSNB	Round Head Square Neck Bolt
SCREW LEVELING	Leveling Screw
SCREW THUMB	Thumb Screw
SCREW WELD	Weld Screw
SFCHMS	Slotted Flat Countersunk Head Machine Screw
SFHMS	Slotted Fillister Head Machine Screw
SP	Special
SP SCREW	Special Screw
SQHSS	Square Head Set Screw
SRHMS	Slotted Round Head Machine Screw
SSS	Socket Set Screw
STCS	Self Tapping Cap Screw
STHMS	Slotted Truss Head Machine Screw
WHEEL	Wheel Studs and Hub Long Bolts
WING	Wing Bolt

Replacement Hardware

The **Hardware Legend** above lists hardware abbreviations used in the parts list. All bolts and nuts are Grade 5 unless otherwise noted. The use of improper grades of hardware can result in personal injury, damage to equipment, or loss of property.

Part Number Service Coding

Within the parts list some part numbers are coded for revisions and interchangeability. See notations in revision column.

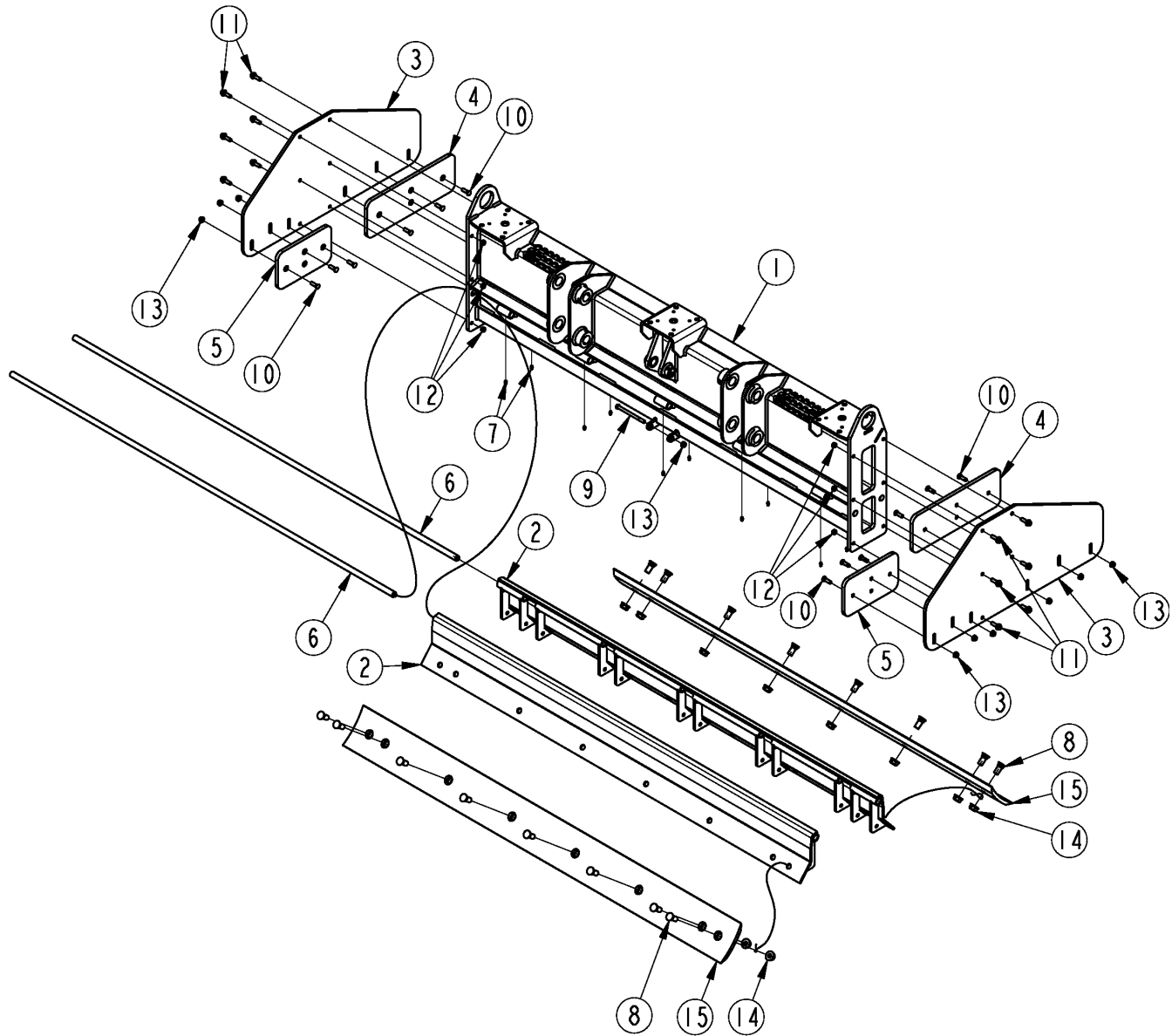
Serial Numbers

Always use the serial and model number when ordering parts. Refer to the Operator's Manual for serial number plate location.

- (S/N 20001+) Includes serial numbers 20001 and above (to the latest number)
- (S/N 10001 to 20000) Includes serial numbers between and including 10001 and 20000
- (S/N 10000-) Includes serial numbers 10000 and below (to the earliest number)

Blade Carrier Assembly

Applies to AP-BB3072, AP-BB3084, AP-BB3096



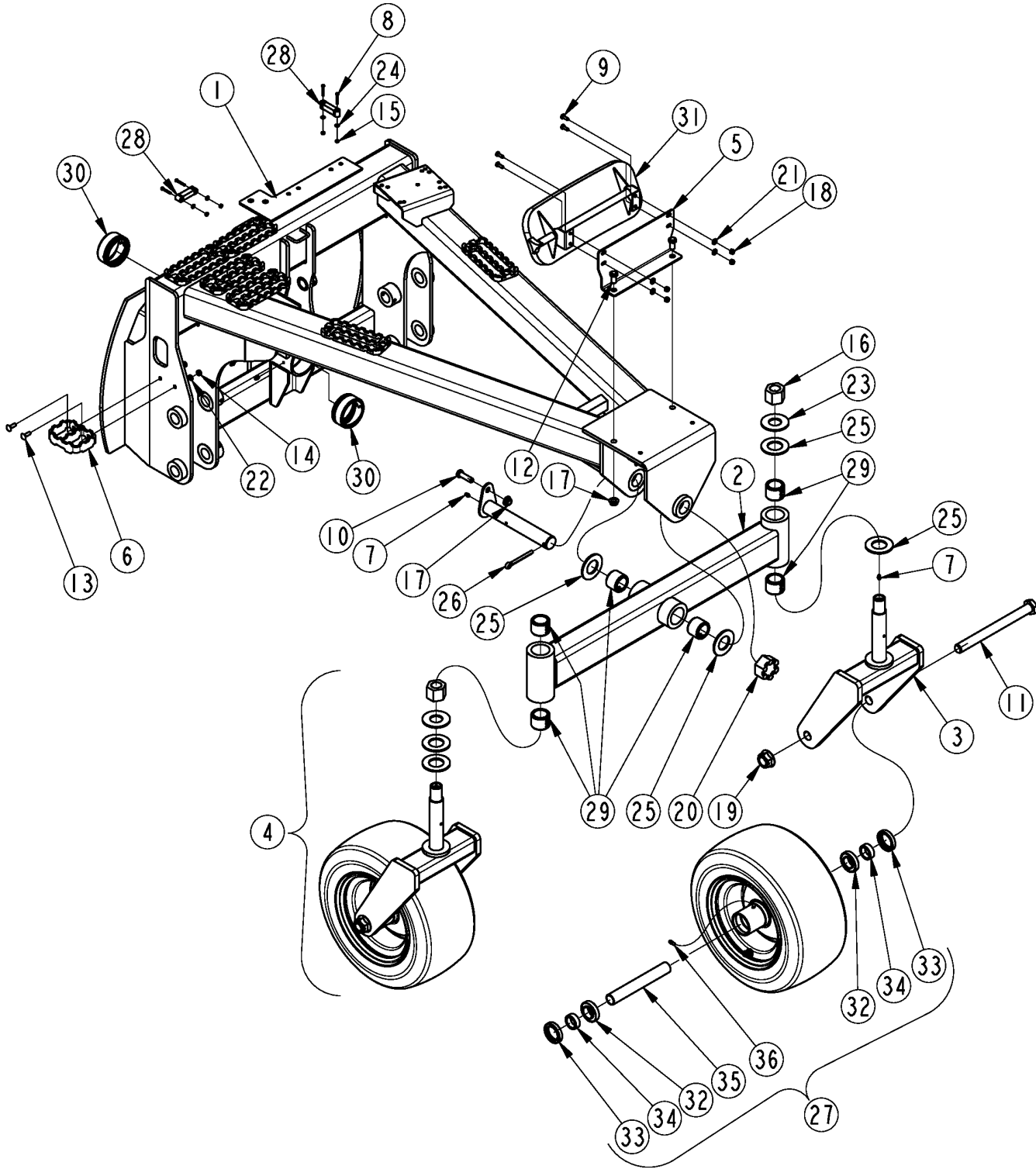
72864

Blade Carrier Assembly**Applies to AP-BB3072, AP-BB3084, AP-BB3096**

Ref	Part No.	Part Description	Comments	Revision
	Dwg 72864	Image No.		
1.	301-638H	BOX BLADE FRAME 72"	BB3072	
1.	301-639H	BOX BLADE FRAME 84"	BB3084	
1.	301-640H	BOX BLADE FRAME 96"	BB3096	
2.	301-642H	BLADE HOLDER 72"	BB3072	
2.	301-643H	BLADE HOLDER 84"	BB3084	
2.	301-644H	BLADE HOLDER 96"	BB3096	
3.	301-809D	END PANEL		
4.	301-810D	FRONT SIDE CUTTER		
5.	301-811D	REAR SIDE CUTTER		
6.	301-881D	HINGE ROD 72"	BB3072	
6.	301-882D	HINGE ROD 84"	BB3084	
6.	301-883D	HINGE ROD 96"	BB3096	
7.	800-001C	GREASE ZERK STRAIGHT 1/4-28		
8.	802-236C	PLOW 5/8-11X1 1/2 GR5		
9.	802-318C	HHCS 3/8-16X5 GR5		
10.	802-466C	PLOW 3/8-16X1 1/4 GR5		
11.	802-933C	HFSS 3/8-16X1 1/4 GR5 ZNYCR		
12.	803-013C	NUT LOCK 3/8-16 PLT		
13.	803-068C	NUT HEX FLANGE 3/8-16 PLT		
14.	803-304C	NUT HEX WHIZ 5/8-11 PLT		
15.	820-043C	GRADER BLADE 1/2 X 6 X 71 1/2	BB3072 - Requires 8 plow bolts	
15.	820-046C	GRADER BLADE 1/2 X 6 X 83 1/2	BB3084 - Requires 9 plow bolts	
15.	820-035C	GRADER BLADE 1/2 X 6 X 95 1/2	BB3096 - Requires 10 plow bolts	

Mainframe with Gauge Wheels & Mirror

Applies to AP-BB3072, AP-BB3084, AP-BB3096



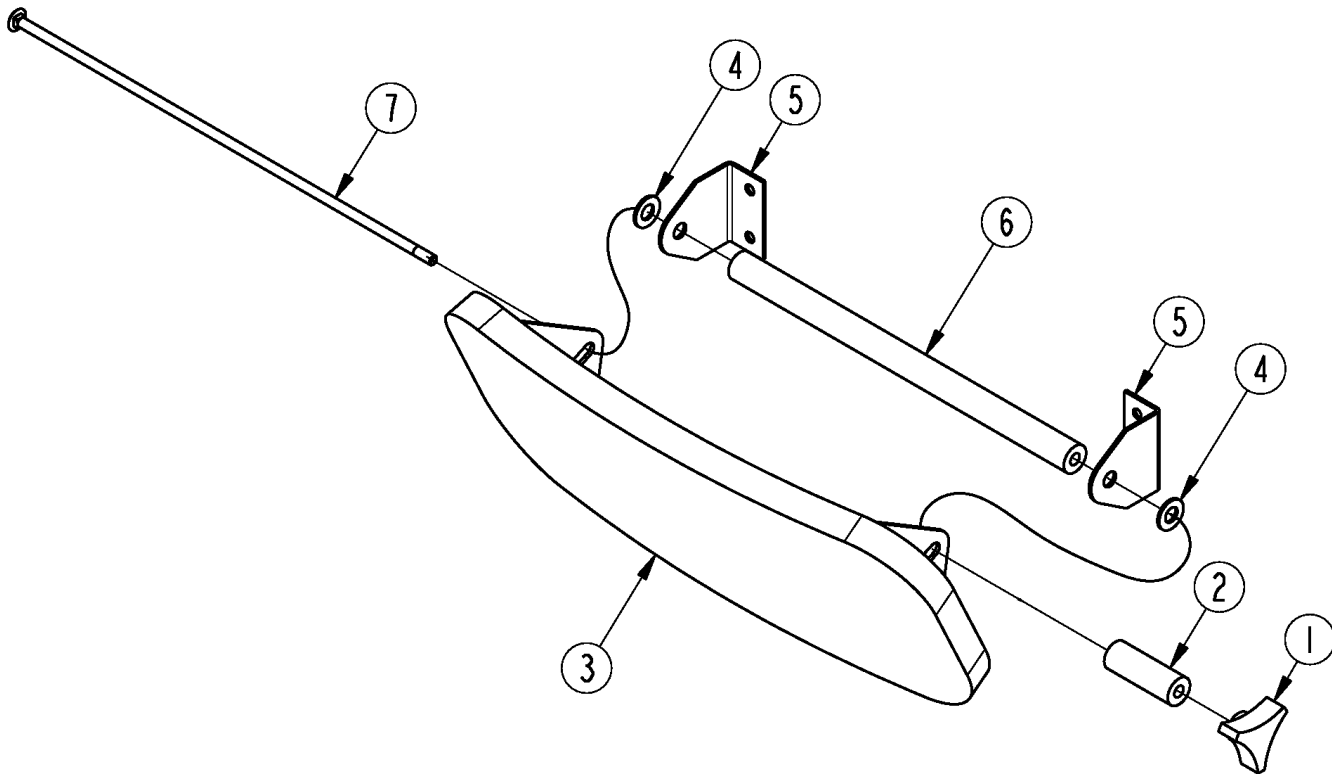
72863

Mainframe with Gauge Wheels & Mirror**Applies to AP-BB3072, AP-BB3084, AP-BB3096**

Ref	Part No.	Part Description	Comments	Revision
	Dwg 72863	Image No.		
1.	301-622H	BOX GRADER FRAME		
2.	301-623H	PIVOTING FRONT AXLE		
3.	301-627H	WHEEL YOKE		
4.	301-629K	YOKE AND TIRE ASY		
5.	301-846D	MIRROR MOUNTING BRACKET		
6.	350-527D	SKID STEP CASTING BLACK		
7.	800-001C	GREASE ZERK STRAIGHT 1/4-28		
8.	801-274C	SCREW RD HD 8-32 X 1 1/4LG PLT		
9.	802-004C	HHCS 1/4-20X3/4 GR5		
10.	802-082C	HHCS 1/2-13X1 3/4 GR5 FTHD		
11.	802-108C	HHCS 1-8X11 GR5		
12.	802-258C	HHCS 1/2-13X1 GR5		
13.	802-282C	RHSNB 5/16-18X1 GR5		
14.	803-008C	NUT HEX 5/16-18 PLT		
15.	803-064C	NUT HEX 8-32		
16.	803-081C	NUT HEX 1 1/4-7 NYLON INSERT		
17.	803-169C	NUT HEX FLG LOCK 1/2-13 PLT		
18.	803-255C	NUT HEX NYLOCK 1/4-20		
19.	803-258C	NUT HEX FLG LOCK 1-8 GR B PLT		
20.	803-301C	NUT HEX SLOTTED 1 1/2-6 PLT		
21.	804-007C	WASHER FLAT 1/4 SAE PLT		
22.	804-009C	WASHER LOCK SPRING 5/16 PLT		
23.	804-035C	WASHER FLAT 1 1/4 USS PLT		
24.	804-088C	WASHER FLAT #8 SAE PLT		
25.	804-182C	WASHER HARD 1 1/2 MILCARB GR8		
26.	805-148C	PIN COTTER 3/8 X 3 PLT		
27.	814-681C	TIRE & WHEEL 18X8.5-10 FF TURF		
28.	837-157C	BUBBLE LEVEL		
29.	891-515C	BUSHING 2 X 1 1/2 X 1 1/2 LG		
30.	891-739C	BUSHING 3.5 X 3 X 1.5 CONNEX		
31.	891-866C	PARABOLIC MIRROR		
32.	04-222	LM67048/LM67010 CUP & CONE SET		
33.	S23639001	SEAL, GREASE 2.36ODx1.65Dx.39W		
34.	SPCR016	SPACER, 1.65ODx1.25IDx.56L		
35.	SPCR017	SPACER, 1.22ODx1.02IDx8.69L		
36.	ZK003	ZERK, LONG STRAIGHT 1/4-28		

Parabolic Mirror (891-867C)

Applies to AP-BB3072, AP-BB3084, AP-BB3096



72870

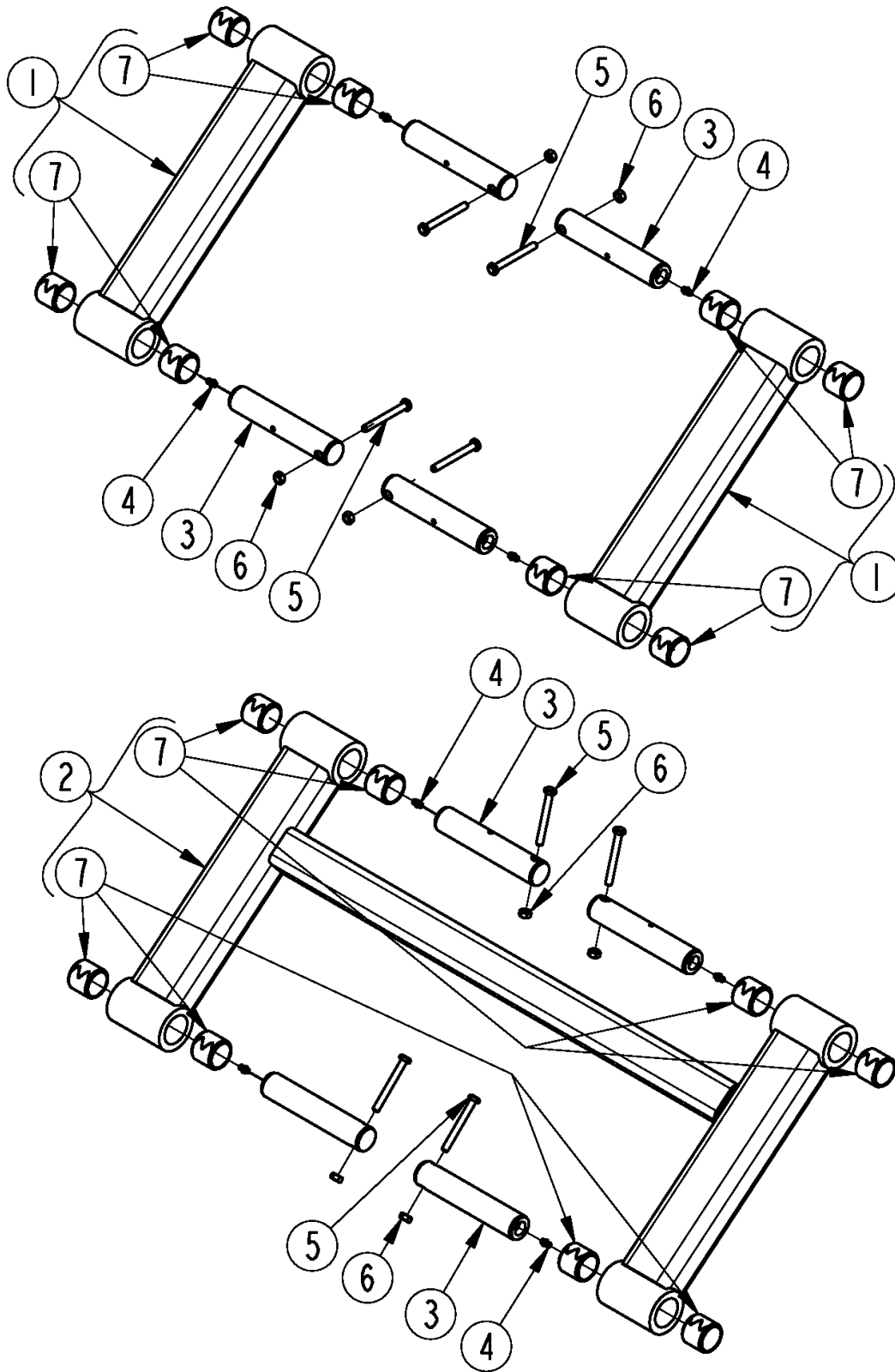
Parabolic Mirror (891-867C)

Applies to AP-BB3072, AP-BB3084, AP-BB3096

Ref	Part No.	Part Description	Comments	Revision
	Dwg 72870	Image No.		
	891-866C	Parabolic Mirror		
1.	1527-7643	KNOB 5/16"		
2.	1527-7009	DERLIN SPACER .740" X 4 X 2.12		
3.	1527-1000	MIRROR HEAD WITH NO HARDWARE		
4.	1527-9266	FIBER WASHER 7/8"		
5.	1527-5783	3 HOLE MOUNTING ANGLE		
6.	1527-7646	SPACER .740" X 11.25		
7.	1527-9807	CARRIAGE BOLT 5/16 X 14"		

Parallel Lift Arms

Applies to AP-BB3072, AP-BB3084, AP-BB3096



72865

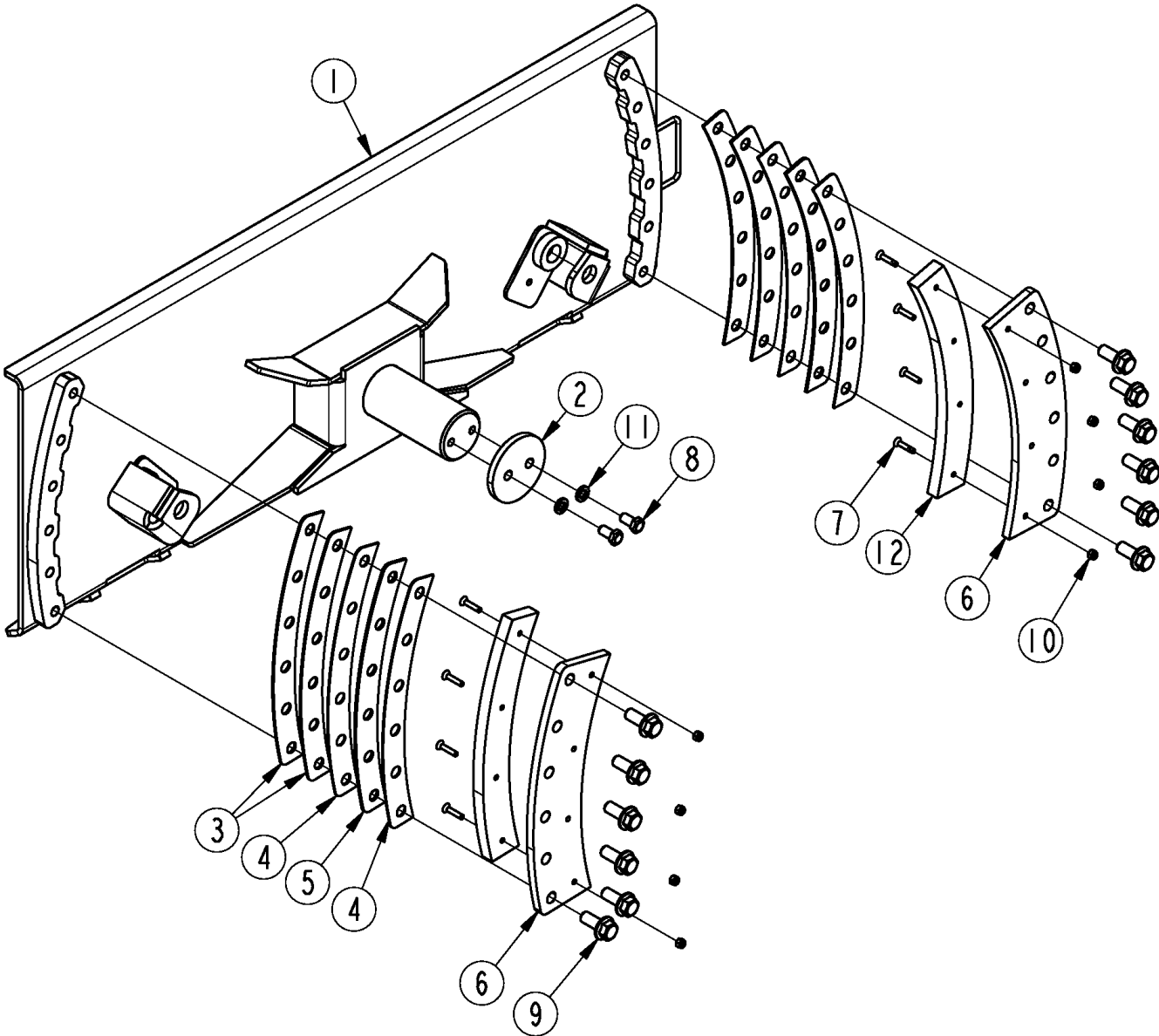
Parallel Lift Arms

Applies to AP-BB3072, AP-BB3084, AP-BB3096

Ref	Part No.	Part Description	Comments	Revision
	Dwg 72865	Image No.		
1.	301-621H	BOX BLADE LINK		
2.	301-633H	LOWER PARALLEL ARMS		
3.	301-879D	PIN 1.25 X 6.5		
4.	800-001C	GREASE ZERK STRAIGHT 1/4-28		
5.	802-197C	HHCS 5/16-18X2 3/4 GR5		
6.	803-011C	NUT LOCK 5/16-18 PLT		
7.	890-309C	BUSH 1 1/2ODX1 1/4IDX1 1/4LONG		

Pivot Skid Hitch

Applies to AP-BB3072, AP-BB3084, AP-BB3096



72862

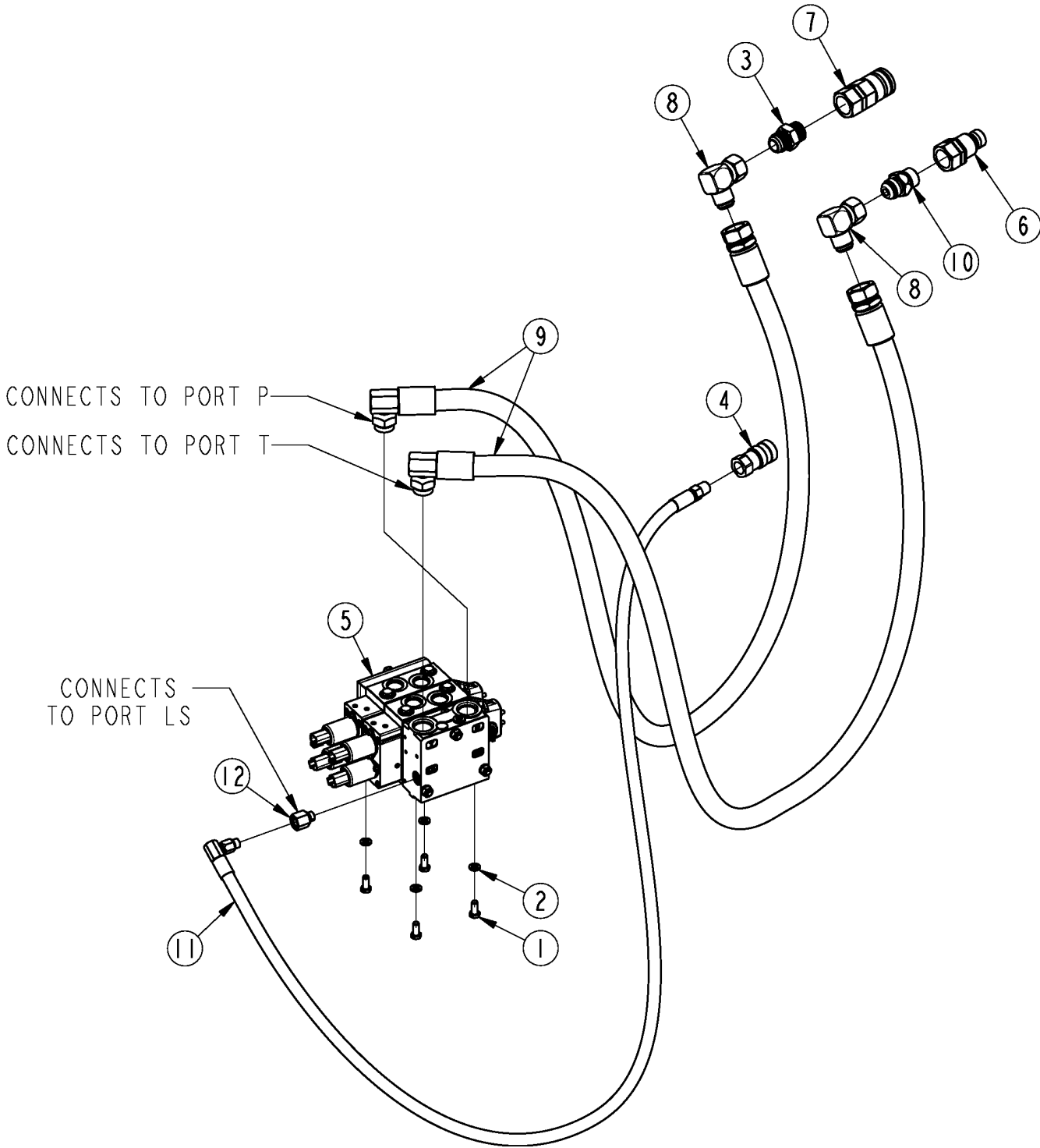
Pivot Skid Hitch

Applies to AP-BB3072, AP-BB3084, AP-BB3096

Ref	Part No.	Part Description	Comments	Revision
	Dwg 72862	Image No.		
1.	301-636H	PIVOTING SKID HITCH		
2.	301-691D	TILT PIN RETAINER		
3.	320-256D	SHIM .10 THK		
4.	320-257D	SHIM .07 THK		
5.	320-258D	SHIM .134 THK		
6.	320-259D	CLAMP 1/2		
7.	801-276C	HSFCHCS 1/4-20X1 1/4 PLT		
8.	802-258C	HHCS 1/2-13X1 GR5		
9.	802-407C	HFS 5/8-18X1 1/2 GR8 ZINC & Y		
10.	803-255C	NUT HEX NYLOCK 1/4-20		
11.	804-015C	WASHER LOCK SPRING 1/2 PLT		
12.	837-155C	WEAR PAD		

2 Priority Proportional Valve with Hook-up Hoses

Applies to AP-BB3072, AP-BB3084, AP-BB3096



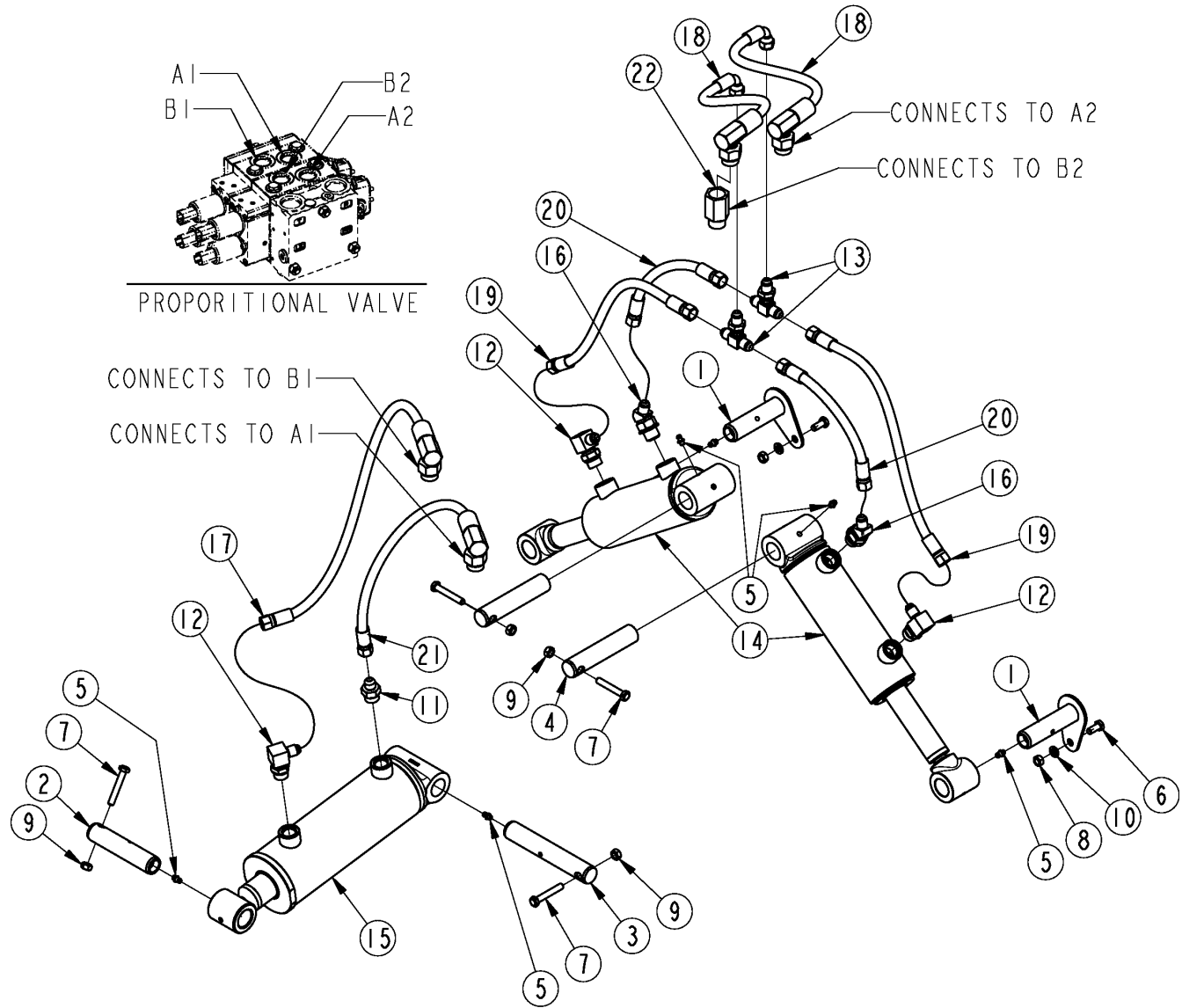
72867

2 Priority Proportional Valve with Hook-up Hoses**Applies to AP-BB3072, AP-BB3084, AP-BB3096**

Ref	Part No.	Part Description	Comments	Revision
	Dwg 72867	Image No.		
1.	802-007C	HHCS 5/16-18X3/4 GR5		
2.	804-009C	WASHER LOCK SPRING 5/16 PLT		
3.	811-408C	AD 1 1/16MORB 1 1/16MJIC		
4.	841-539C	CP 3/8 FEMALE QD 3/8FNPT		
5.	850-337C	2 PRIORITY PROPORTIONAL VALVE		
6.	851-947C	CUP 1 1/16FORB MALE QUICK CPLR		
7.	851-948C	CUP 1 1/16FORB FML QUICK CPLR		
8.	861-062C	EL 1.06FJIC1.06MJIC 90		
9.	861-314C	HH3/4R17 83 1.06FJIC MORB 90SW		
10.	861-326C	INLINE CHECK 1 1/16MJIC-MORB		
11.	861-409C	HH1/4R2 89 3/8MNPT9/16MORBELSW		
12.	861-440C	AD 9/16FORB 1/2MORB		

Arrangement of Hydraulic Cylinders and Hoses

Applies to AP-BB3072, AP-BB3084, AP-BB3096



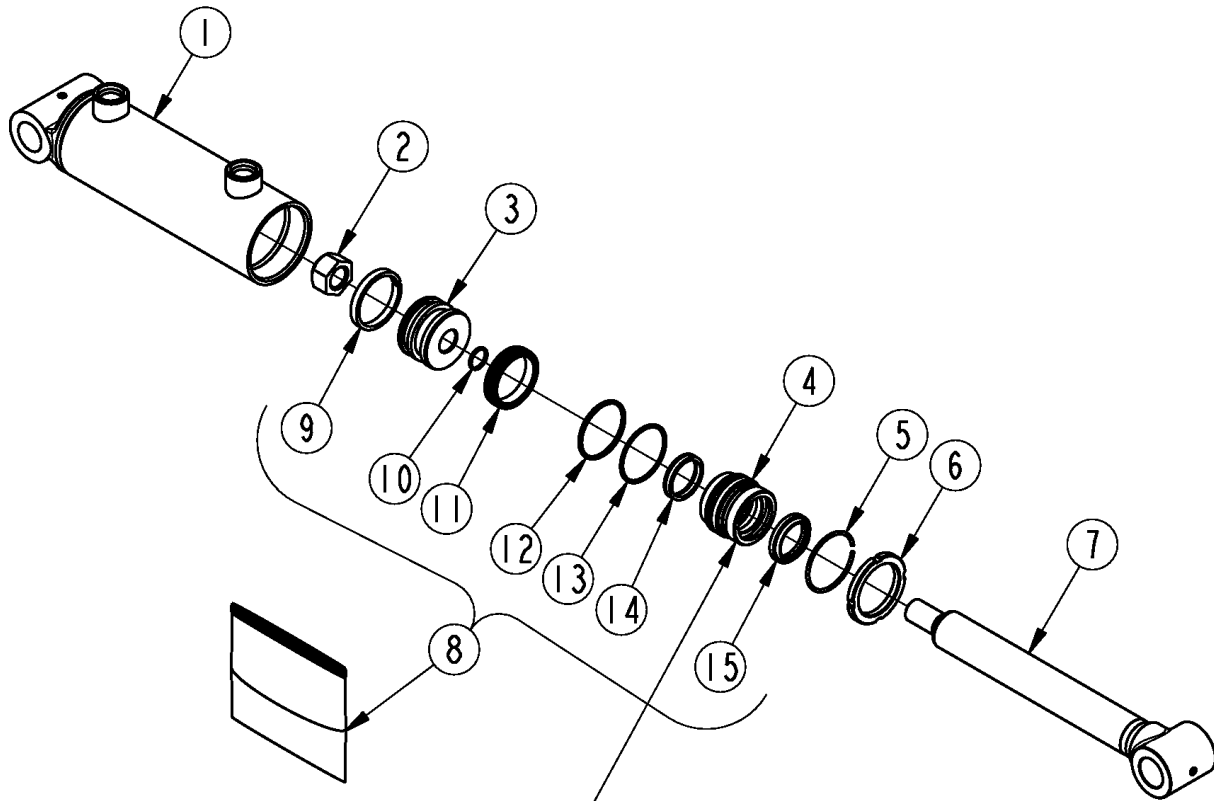
72866

Arrangement of Hydraulic Cylinders and Hoses**Applies to AP-BB3072, AP-BB3084, AP-BB3096**

Ref	Part No.	Part Description	Comments	Revision
	Dwg 72866	Image No.		
1.	301-651H	PIN, CYL HITCH PIVOT		
2.	301-880D	PIN 1.0 X 4.63		
3.	301-892D	PIN 1.0 X 6.13		
4.	301-893D	PIN 1.0 X 4.79		
5.	800-001C	GREASE ZERK STRAIGHT 1/4-28		
6.	802-007C	HHCS 5/16-18X3/4 GR5		
7.	802-115C	HHCS 5/16-18X2 GR5		
8.	803-008C	NUT HEX 5/16-18 PLT		
9.	803-011C	NUT LOCK 5/16-18 PLT		
10.	804-009C	WASHER LOCK SPRING 5/16 PLT		
11.	811-133C	AD 9/16MJIC 3/4MORB		
12.	811-171C	EL 3/4MORB 9/16MJIC		
13.	811-356C	TE 9/16MJIC BH 9/16MJIC 9/16MJ		
14.	850-236C	CYL 2.5X5X1.25 ROD WLD		
15.	850-338C	CYL, 3.0X6X1.5 ROD WELD		
16.	851-870C	EL 45 3/4MORB 9/16MJIC		
17.	861-315C	HH3/8R2 030 9/16FJIC 7/8MORB90		
18.	861-327C	HH3/8R2 23 7/8MORB909/16FJIC90		
19.	861-328C	HH1/4R2 017 9/16FJIC		
20.	861-329C	HH1/4R2 012 9/16FJIC		
21.	861-537C	HH3/8R2 030 9/16FJIC 7/8MORB90		
22.	861-538C	AD 7/8MORB 7/8FORB EXTENDER		

Hydraulic Cylinder (Energy 850-236C)

Applies to AP-BB3072, AP-BB3084, AP-BB3096



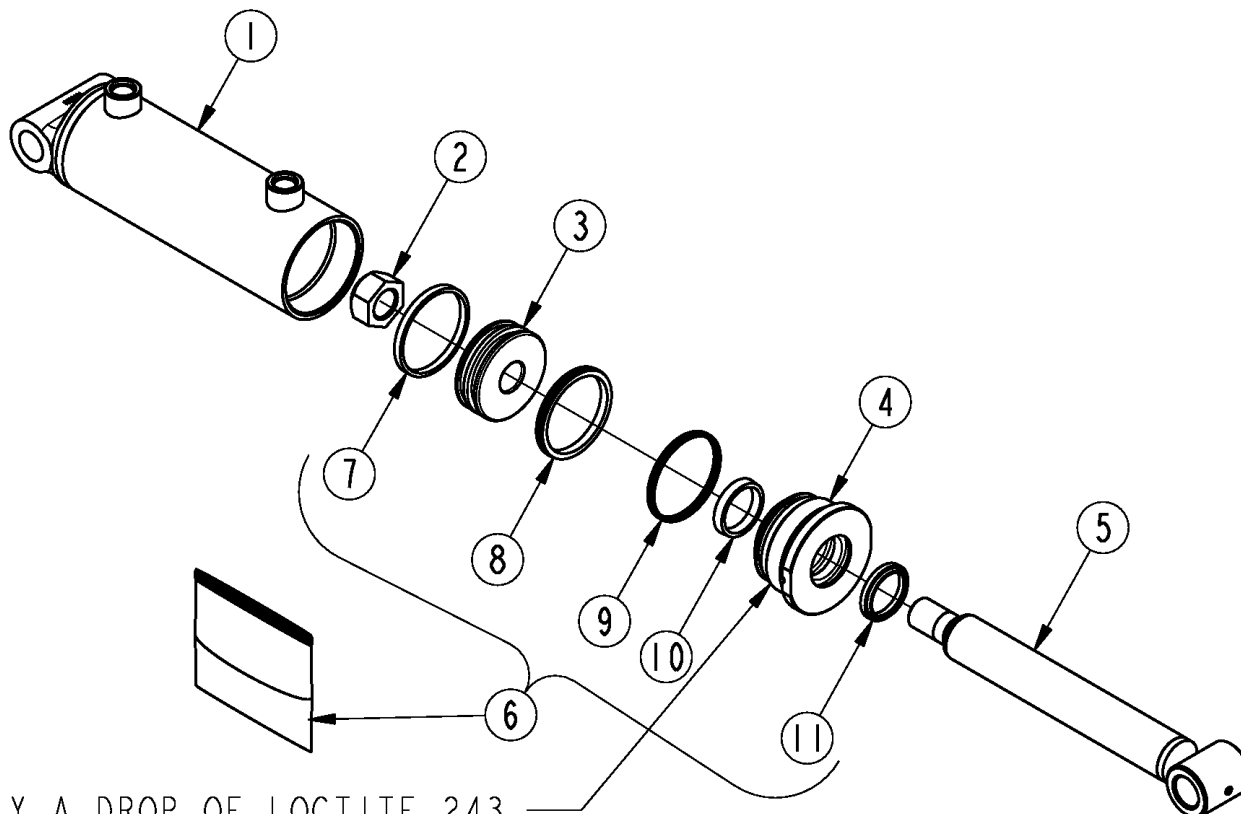
APPLY REMOVABLE (BLUE) THREAD LOCKING ADJESIVE TO THREADS

Hydraulic Cylinder (Energy 850-236C)**Applies to AP-BB3072, AP-BB3084, AP-BB3096**

Ref	Part No.	Part Description	Comments	Revision
	Dwg 72844	Image No.		
	850-236C	2 PRIORITY PROPORTIONAL VALVE		
1.	48311C	EGY CYL BODY 2.50ID W/C 48310C		
2.	82464	NUT LOCK REG 7/8-14 GR C AMTL		
3.	16903B	EGY PISTON - 2.500 BORE		
4.	15083B	EGY GUIDE 2.50 BORE - 1.25 ROD		
5.	ES0050/25	EGY SEA; LOT FPR 850-236C		
6.	14677A	SPANNER NUT 0.25 X 2.875 OD		
7.	48313C	EGY ROD 1.25 W/C 48312B		
8.	16779X	EGY SEAL KIT FOR 850-236C	Includes items 9-15	
9.	N/A	EGY WEAR RNG 2.50ODX0.25X0.125		
10.	N/A	EGY ORING N 0.75X0.875 018 D70		
11.	N/A	PSP PISTON SEAL 2.500 BORE		
12.	N/A	EGY ORING NT 2.52X2.50 228		
13.	N/A	EGY BACKUP RING H 2.250X2.500		
14.	N/A	EGY UCUP LIP 1.25X1.625X0.312		
15.	N/A	EGY WIPER RING 1.250 DT SERIES		

Hydraulic Cylinder (Monarch 850-338C)

Applies to AP-BB3072, AP-BB3084, AP-BB3096



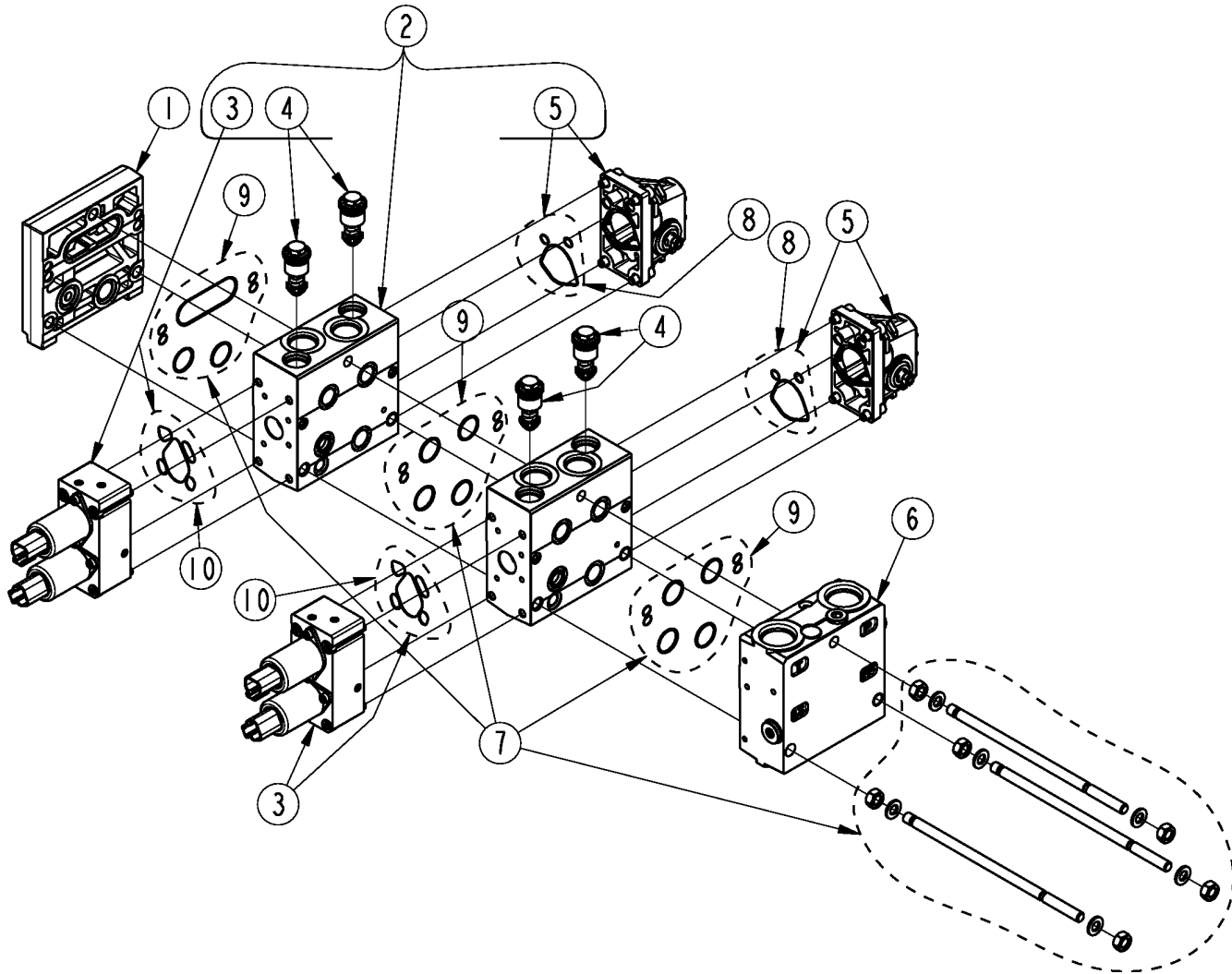
APPLY A DROP OF LOCTITE 243
3 PLACES 120 DEGREES APART
ON THE FIRST TWO THREADS OF
THE CYLINDER HEAD.

Hydraulic Cylinder (Monarch 850-338C)**Applies to AP-BB3072, AP-BB3084, AP-BB3096**

Ref	Part No.	Part Description	Comments	Revision
	DWG 72843 850-338C	Image No. CYL, 3.0X6X1.5 ROD WELD *	Complete assembly	
1.	474341	MON TUBE WELDMENT		
2.	130560	MON PISTON NUT		
3.	294734	MON PISTON 3.00-1.00-PSP/HALL1		
4.	258586	MON CYL HEAD 3.00-1.50-THD		
5.	498050	MON ROD WELDT		
6.	850-518C	SEAL KIT FOR 850-338C		
7.	199707	MON WEAR RING 3.00-2.75-.25-	In seal kit #6	
8.	194914	MON SEAL PSP PISTON RING 3 DI	In seal kit #6	
9.	199139	MON SEAL DUAL 3.00	In seal kit #6	
10.	194896	MON SEAL HALLITE 605 ROD 1-1/2	In seal kit #6	
11.	199457	MON SEAL WIPER ROD 1.50 SNAP	In seal kit #6	

Valve 2 Priority Proportional (850-337C)

Applies to AP-BB3072, AP-BB3084, AP-BB3096



72845

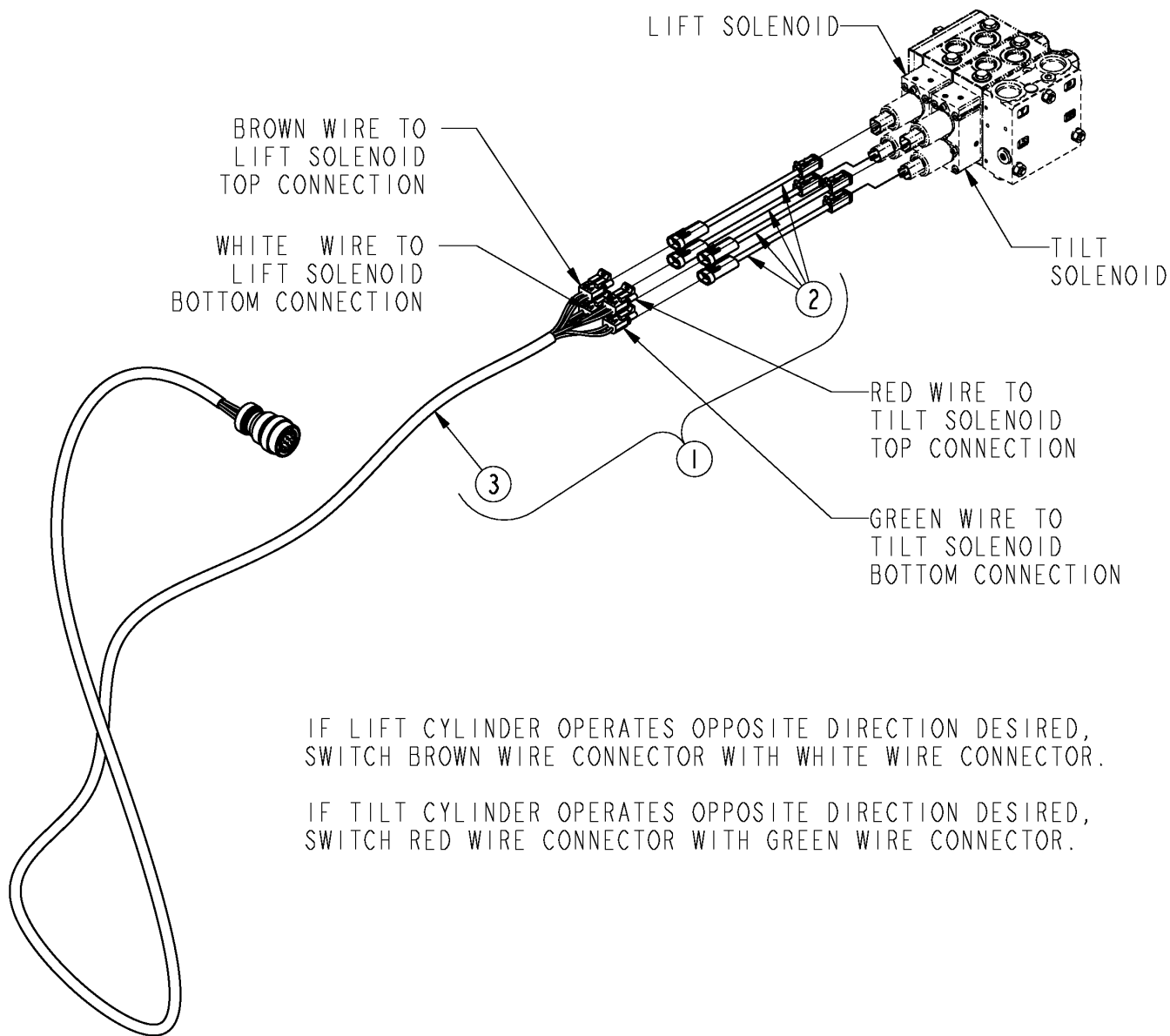
Valve 2 Priority Proportional (850-337C)

Applies to AP-BB3072, AP-BB3084, AP-BB3096

Ref	Part No.	Part Description	Comments	Revision
	Dwg 72845	Image No.		
	850-337C	2 PRIORITY PROPORTIONAL VALVE		
1.	11153493	DANFOSS END PLATE		
2.	11228557	DANFOSS LH/RH LIFT		
3.	11112038	DANFOSS PVHC		
4.	157B2240	DANFOSS PVLP		
5.	157B3171	DANFOSS PVM		
6.	11228558	DANFOSS INLET		
7.	157B8002	DANFOSS PVG 32 TIE RODS KIT		
8.	11061235	DANFOSS PVHC SEAL		
9.	157B8999	DANFOSS PVS 32 SEAL KIT		
10.	157B3999	DANFOSS PVM SEAL		

14 Pin Manual Control Harness (301-661A)

Applies to AP-BB3072, AP-BB3084, AP-BB3096



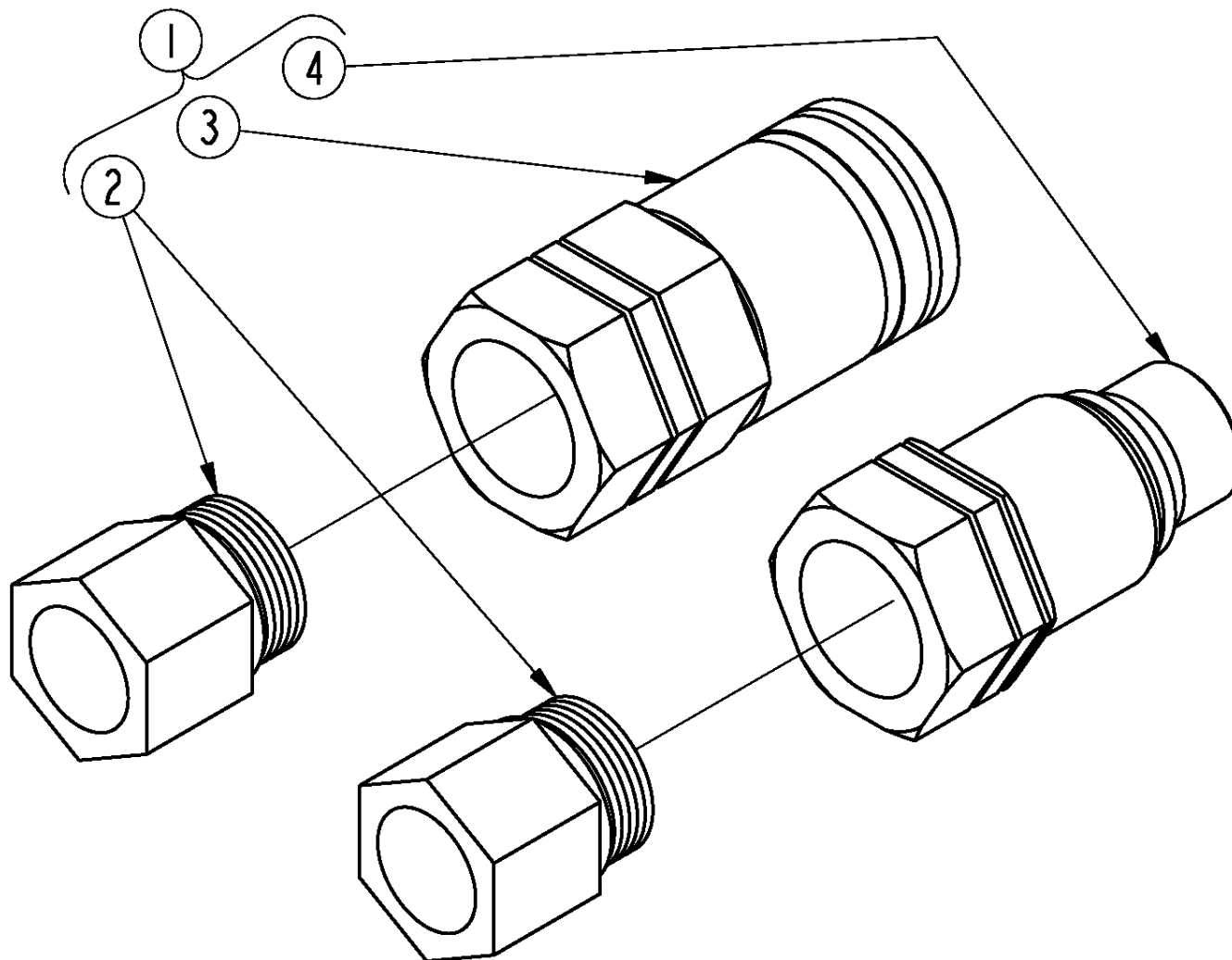
14 Pin Manual Control Harness (301-661A)

Applies to AP-BB3072, AP-BB3084, AP-BB3096

Ref	Part No.	Part Description	Comments	Revision
	Dwg 72885	Image No.		
1.	301-661A	14 PIN MANUAL CONTROL		
2.	823-131C	SHORT ADAPTER HARNESS	Assy 308-661A requires 4 each	
3.	823-417C	DEUTSCH HD30 14 PIN 2 FUNCTION	Assy 308-661A requires 1 each	

Couplers Large Flat Faced

Applies to AP-BB3072, AP-BB3084, AP-BB3096



37715

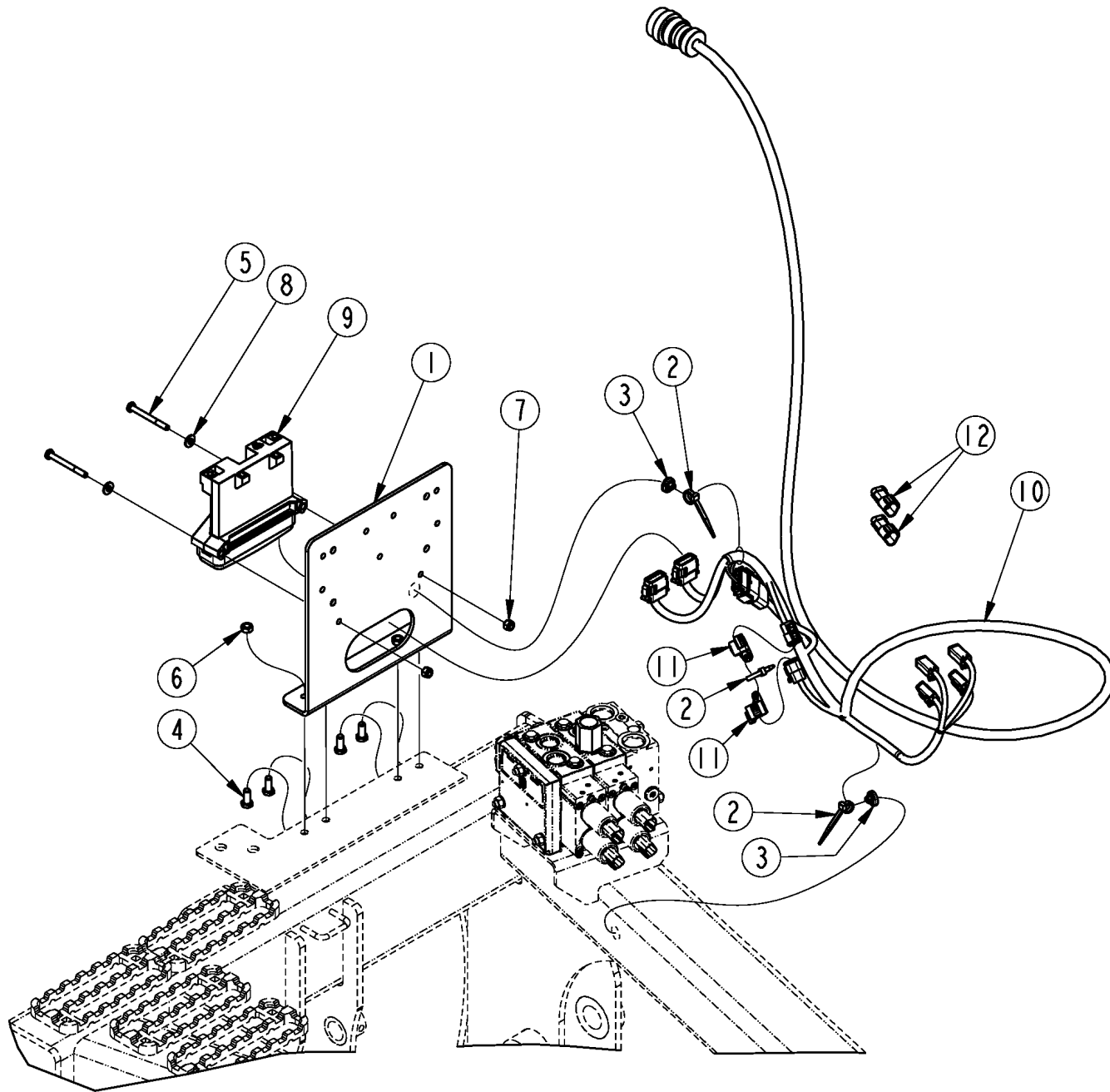
Couplers Large Flat Faced

Applies to AP-BB3072, AP-BB3084, AP-BB3096

Ref	Part No.	Part Description	Comments	Revision
	Dwg 37715	Drawing Image Number		
1.	328-113A	Couplers, Large Flat Faced		
2.	811-570C	AD 1 5/16MORB 1 1/16FORB		
3.	841-957C	CP 1 5/16FORB FEMALE QD		
4.	841-958C	CP 1 5/16FORB MALE QD		

Electro-Hydraulic Conversion Kit (301-703K)

Applies to AP-BB3072, AP-BB3084, AP-BB3096



76218

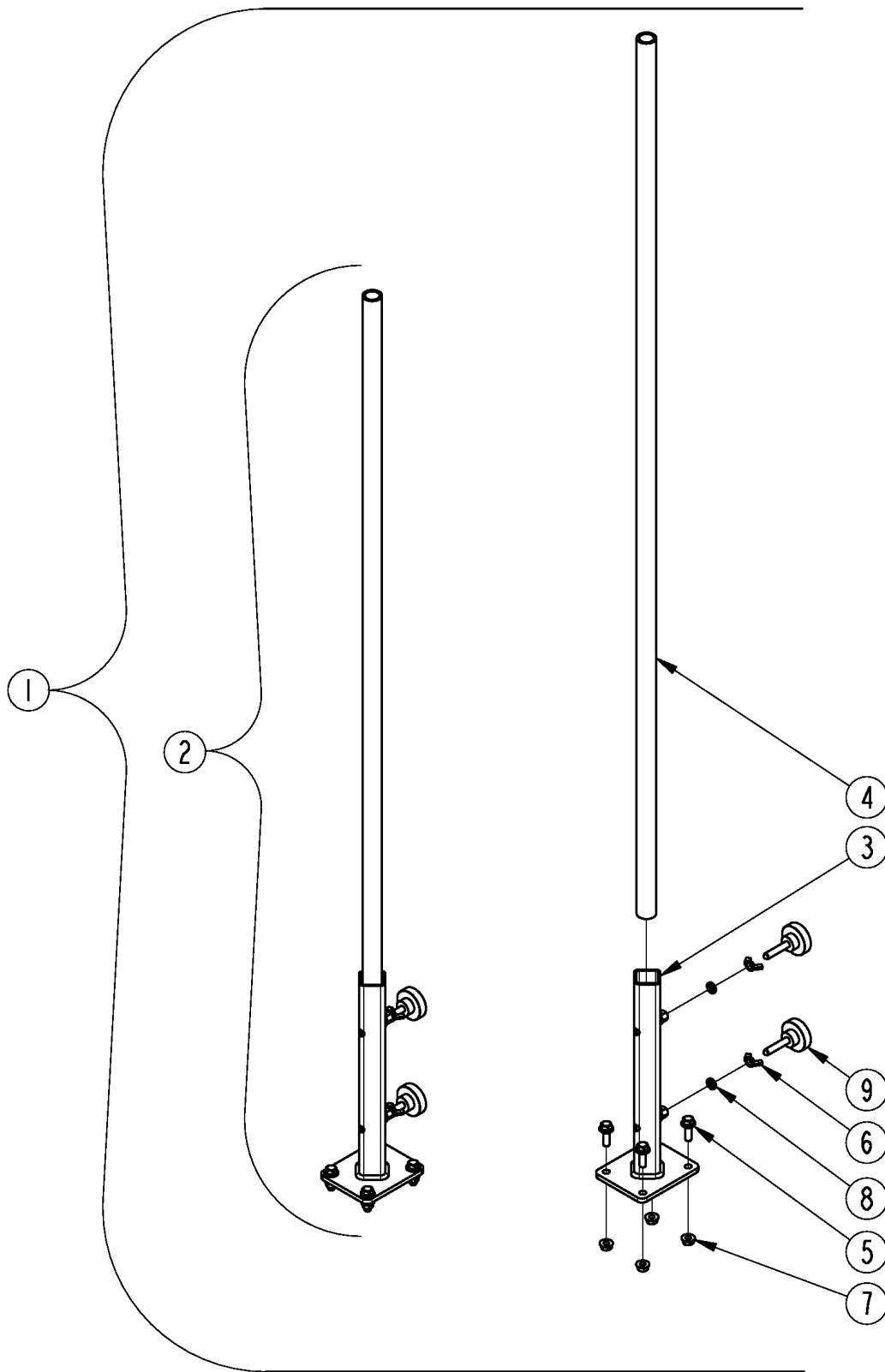
Electro-Hydraulic Conversion Kit (301-703K)

Applies to AP-BB3072, AP-BB3084, AP-BB3096

Ref	Part No.	Part Description	Comments	Revision
	DWG 76218	Image No.		
	301-703K	BB30 EH CONVERSION KIT *	Complete assembly	
1.	301-930D	CONTROL MODULE BKT		
2.	800-112C	CABLE TIE .19X7.25 1.75D 50LB		
3.	800-569C	CABLE TIE MOUNT, MAG 10LBS		
4.	802-007C	HHCS 5/16-18X3/4 GR5		
5.	802-097C	HHCS 1/4-20X2 1/2 GR5		
6.	803-011C	NUT LOCK 5/16-18 PLT		
7.	803-255C	NUT HEX NYLOCK 1/4-20		
8.	804-007C	WASHER FLAT 1/4 SAE PLT		
9.	843-451C	BB30 VCM		
10.	843-452C	BB30 WIRE HARNESS	Includes Items 11 & 12	
11.	843-455C	DEUTSCH DUST CAP DT06-3S		
12.	843-456C	DEUTSCH DT04-3P-P006		

Receiver Mast Assembly

Applies to AP-BB3072, AP-BB3084, AP-BB3096



72880

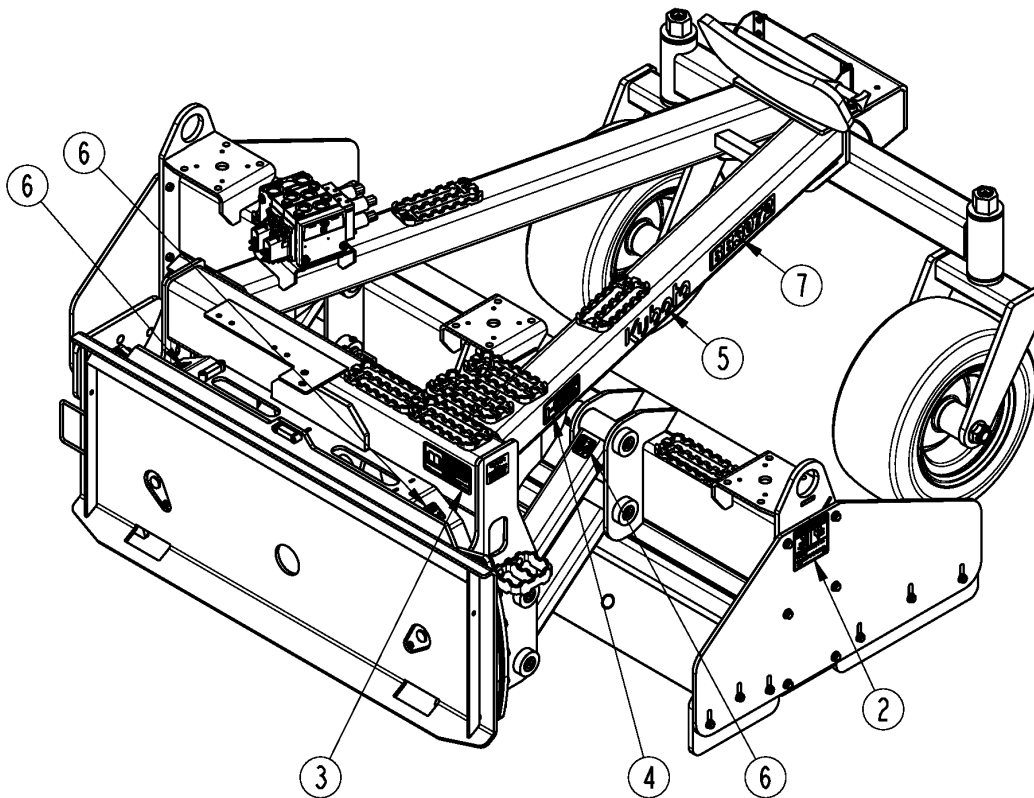
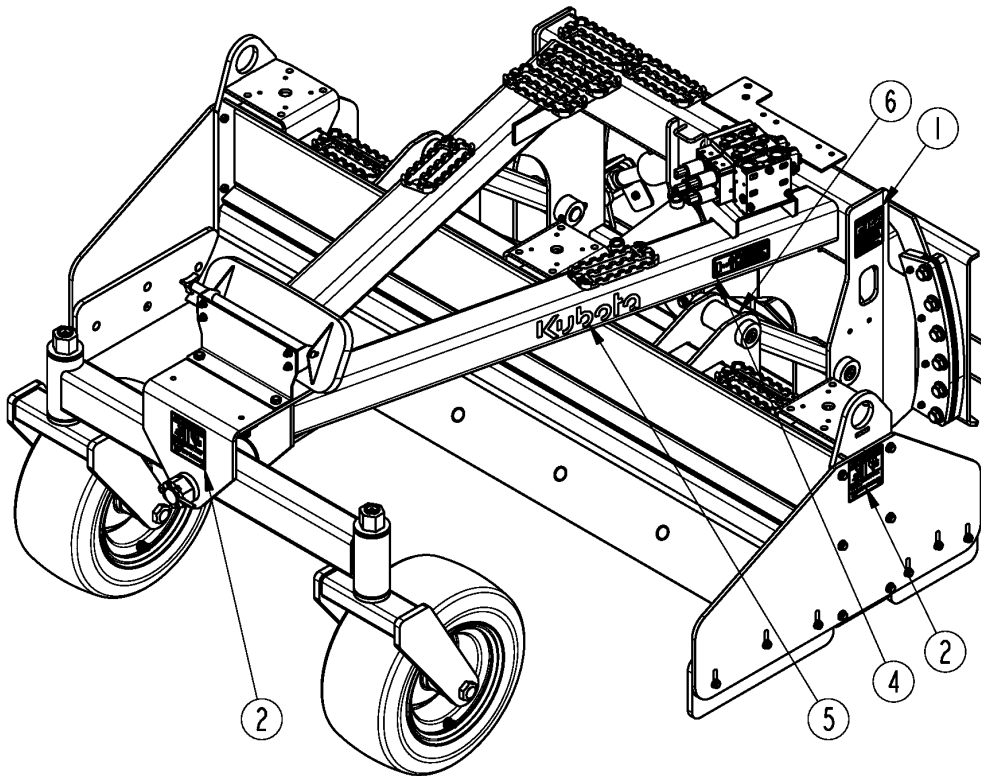
Receiver Mast Assembly

Applies to AP-BB3072, AP-BB3084, AP-BB3096

Ref	Part No.	Part Description	Comments	Revision
	Dwg 72880	Image No.		
1.	301-654A	2 RECEIVER MAST ASY		
2.	301-653L	RECEIVER MAST ASY		
3.	301-637H	MAST MOUNT		
4.	301-852D	MAST		
5.	802-203C	HFSS 1/2-13X1 1/2 GR5		
6.	803-016C	NUT WING 1/2-13 PLT		
7.	803-037C	NUT HEX WHIZ 1/2-13 PLT GR5		
8.	804-015C	WASHER LOCK SPRING 1/2 PLT		
9.	837-280C	ROUND KNOB, 2.5L X 1/2-13 STUD		

Decal Placement

Applies to AP-BB3072, AP-BB3084, AP-BB3096



72882

Decal Placement**Applies to AP-BB3072, AP-BB3084, AP-BB3096**

Ref	Part No.	Part Description	Comments	Revision
	Dwg 72882	Image No.		
1.	818-339C	DECAL WARNING HIGH PRESSUR SML		
2.	838-112C	DECAL DANGER PINCHING		
3.	838-293C	DECAL WARNING READ MANUAL		
4.	844-033C	DECAL, AUTOMATED MACHINERY		
5.	844-221C	DECAL, 10" KUBOTA BLOCK		
5.	858-398C	RPBY 844-221C	Obsolete	
6.	858-765C	DECAL PIC--PINCH POINT		
7.	858-987C	DECAL, BB3072		
7.	858-988C	DECAL, BB3084		
7.	858-989C	DECAL, BB3096		

Touch-up Paints - Kubota

Applies to AP-BB3072, AP-BB3084, AP-BB3096

No diagram associated with this Parts List

Touch-up Paints - Kubota**Applies to AP-BB3072, AP-BB3084, AP-BB3096**

Ref	Part No.	Part Description	Comments	Revision
1.	821-070C	GLOSS BLACK SPRAY CAN	Spray can	
2.	821-070CTU	GLOSS BLACK TOUCH-UP 5OZ	Touch-up bottle with brush	
3.	821-070CQT	GLOSS BLACK QUART	Quart can	
4.	821-070CGL	GLOSS BLACK GALLON	Gallon Can	
5.	821-006C	ORANGE SPRAY CAN	Spray can	
6.	821-066CTU	ORANGE TOUCH-UP 5OZ	Touch-up bottle with brush	
7.	821-066CQT	ORANGE QUART	Quart can	
8.	821-066CGL	ORANGE GALLON	Gallon Can	
9.	821-085C	PAINT KBT DARK GRAY SPRAY CAN	Spray can	
10.	821-085CTU	PAINT KBT DARK GRAY TCH-UP 4OZ	Touch-up bottle with brush	



Part Number Index

The Part Number Index is a numeric index of all part numbers included in this manual. The index shows what page(s) the part is used on.

Part Number	Page	Part Number	Page	Part Number	Page
04-222	9	48311C	21	838-293C	35
11061235	25	48313C	21	841-539C	17
11112038	25	498050	23	841-957C	29
11153493	25	800-001C	7, 9, 13, 19	841-958C	29
11228557	25	800-112C	31	843-451C	31
11228558	25	800-569C	31	843-452C	31
130560	23	801-274C	9	843-455C	31
14677A	21	801-276C	15	843-456C	31
15083B	21	802-004C	9	844-033C	35
1527-1000	11	802-007C	17, 19, 31	844-221C	35
1527-5783	11	802-082C	9	850-236C	19, 21
1527-7009	11	802-097C	31	850-337C	17, 25
1527-7643	11	802-108C	9	850-338C	19, 23
1527-7646	11	802-115C	19	851-870C	19
1527-9266	11	802-197C	13	851-947C	17
1527-9807	11	802-203C	33	851-948C	17
157B2240	25	802-236C	7	858-398C	35
157B3171	25	802-258C	9, 15	858-765C	35
157B3999	25	802-282C	9	858-987C	35
157B8002	25	802-318C	7	858-988C	35
157B8999	25	802-407C	15	858-989C	35
16779X	21	802-466C	7	861-062C	17
16903B	21	802-933C	7	861-314C	17
194896	23	803-008C	9, 19	861-315C	19
194914	23	803-011C	13, 19, 31	861-326C	17
199139	23	803-013C	7	861-327C	19
199457	23	803-016C	33	861-328C	19
199707	23	803-037C	33	861-329C	19
258586	23	803-064C	9	861-409C	17
294734	23	803-068C	7	861-440C	17
301-621H	13	803-081C	9	861-537C	19
301-622H	9	803-169C	9	861-538C	19
301-623H	9	803-255C	9, 15, 31	890-309C	13
301-627H	9	803-258C	9	891-515C	9
301-629K	9	803-301C	9	891-739C	9
301-633H	13	803-304C	7	891-866C	9, 11
301-636H	15	804-007C	9, 31	Dwg 37715	29
301-637H	33	804-009C	9, 17, 19	DWG 72843	23
301-638H	7	804-015C	15, 33	Dwg 72844	21
301-639H	7	804-035C	9	Dwg 72845	25
301-640H	7	804-088C	9	Dwg 72862	15
301-642H	7	804-182C	9	Dwg 72863	9
301-643H	7	805-148C	9	Dwg 72864	7
301-644H	7	811-133C	19	Dwg 72865	13
301-651H	19	811-171C	19	Dwg 72866	19
301-653L	33	811-356C	19	Dwg 72867	17
301-654A	33	811-408C	17	Dwg 72870	11
301-661A	27	811-570C	29	Dwg 72880	33
301-691D	15	814-681C	9	Dwg 72882	35
301-703K	31	818-339C	35	Dwg 72885	27
301-809D	7	820-035C	7	DWG 76218	31
301-810D	7	820-043C	7	ES0050/25	21
301-811D	7	820-046C	7	N/A	21
301-846D	9	821-006C	37	NA	23
301-852D	33	821-066CGL	37	S23639001	9
301-879D	13	821-066CQT	37	SPCR016	9
301-880D	19	821-066CTU	37	SPCR017	9
301-881D	7	821-070C	37	ZK003	9
301-882D	7	821-070CGL	37		
301-883D	7	821-070CQT	37		
301-892D	19	821-070CTU	37		
301-893D	19	821-085C	37		
301-930D	31	821-085CTU	37		
320-256D	15	823-131C	27		
320-257D	15	823-417C	27		
320-258D	15	82464	21		
320-259D	15	837-155C	15		
328-113A	29	837-157C	9		
350-527D	9	837-280C	33		
474341	23	838-112C	35		

This Page Intentionally Left Blank



KUBOTA TRACTOR CORPORATION

1000 Kubota Drive, Grapevine, TX 76051

Telephone: (817) 756-1171

Western Division: 1175 S. Guild Ave., Lodi, CA 95240
Telephone: (209) 334-9910

Central Division: 14855 FAA Blvd., Fort Worth, TX 76155
Telephone: (817) 571-0900

Northern Division: 6300 at One Kubota Way, Groveport, OH 43125
Telephone: (614) 835-1100

Southeast Division: 1025 Northbrook Parkway, Suwanee, GA 30024
Telephone: (770) 995-8855

www.kubota.com
