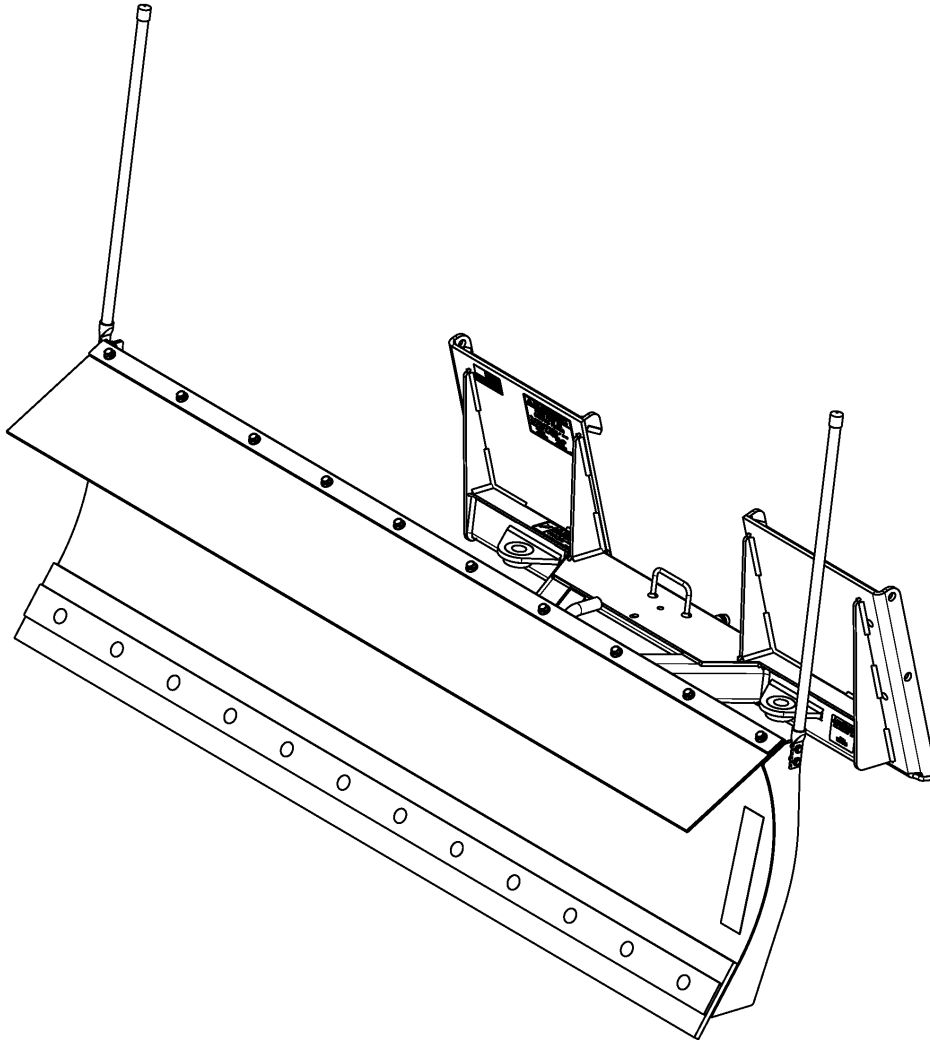


Snow Trip Blade

STB1060 & STB1072



39393

301-501P
Parts Manual



Read the Operator's Manual entirely. When you see this symbol, the subsequent instructions and warnings are serious - follow without exception. Your life and the lives of others depend on it!

© Copyright 2020 Printed 04/28/20

Cover photo may show optional equipment not supplied with standard unit.





Table of Contents

Section 1: Introduction.....	4
Using This Manual.....	4
Manual Replacement Information.....	4
Manual Revisions.....	4
Touch-up Paint.....	4
Hardware Legend.....	5
Replacement Hardware.....	5
Serial Numbers.....	5
Part Number Service Coding.....	5
Section 2: Main Frame & Hitch Assembly.....	6
Hitch & Pivot Assembly.....	6
Trip Blade Moldboard.....	8
Section 3: Options & Accessories.....	10
Cutting Edge Options.....	10
Cylinder Dual & Cushion Valve S/N _____+.....	12
Cylinder Dual & Cushion Valve S/N _____-.....	14
Cylinder Single Angling.....	16
Cylinders Dual Angling S/N _____+.....	18
Cylinders Dual Angling S/N _____-.....	20
Hose & Coupler Options.....	22
Push Button Control Handle 380-314S.....	24
Rubber Deflector.....	26
Third Function Valve Hose Kit 301-565A.....	28
Third Function Valve Hose Kit 301-566A.....	30
Third Function Valve Kit 380-093A for Kubota B3300 & LA504.....	32
Third Function Valve Kit 380-149A for Kubota B2620 & LA364 or B2320 & LA304 or B2301 & B2601 & LA434 (Aug 2019-).....	34
Third Function Valve Kit 380-152A for Kubota L2501 L3200 L3800 L3301 L3901 L4600 & L4701.....	36
Third Function Valve Kit 380-168A for Kubota B3350 B2650 & LA534 LA534A.....	38
Third Function Valve Kit 380-311A with Flat Face Couplers For Kubota MX5400 & MX6000 With Cab.....	40
Third Function Valve Kit 380-312A with Flat Face Couplers For Kubota MX5400 & MX6000 With ROPS.....	42
Third Function Valve Kit 380-330A with Pioneer Couplers For Kubota MX5400 & MX6000 With Cab.....	44
Third Function Valve Kit 380-331A with Pioneer Couplers For Kubota MX5400 & MX6000 With ROPS.....	46
Section 4: Hydraulics.....	48
Hydraulic Cylinder (810-601C) Midway.....	48
Section 5: Decals.....	50
Decals.....	50
Touch-up Paints - LP.....	52
 Part Number Index.....	 54

© Copyright 2020. All rights reserved.

Land Pride provides this publication “as is” without warranty of any kind, either expressed or implied. While every precaution has been taken in the preparation of this manual, Land Pride assumes no responsibility for errors or omissions. Neither is any liability assumed for damages resulting from the use of the information contained herein. Land Pride reserves the right to revise and improve its products as it sees fit. This publication describes the state of this product at the time of its publication, and may not reflect the product in the future. The illustrations in this manual are not intended for safe and proper assembly or disassembly of equipment. The illustrations are intended for ordering parts only.

Land Pride is registered trademark.

All other brands and product names are trademarks or registered trademarks of their respective holders.

Printed in the United States of America.



Alphabetized Table of Contents

C

Cutting Edge Options.....	10
Cylinder Dual & Cushion Valve S/N _____+.....	12
Cylinder Dual & Cushion Valve S/N _____-.....	14
Cylinder Single Angling.....	16
Cylinders Dual Angling S/N _____+.....	18
Cylinders Dual Angling S/N _____-.....	20

D

Decals.....	50
-------------	----

H

Hitch & Pivot Assembly.....	6
Hose & Coupler Options.....	22
Hydraulic Cylinder (810-601C) Midway.....	48

P

Push Button Control Handle 380-314S.....	24
--	----

R

Rubber Deflector.....	26
-----------------------	----

T

Third Function Valve Hose Kit 301-565A.....	28
Third Function Valve Hose Kit 301-566A.....	30
Third Function Valve Kit 380-093A for Kubota B3300 & LA504.....	32
Third Function Valve Kit 380-149A for Kubota B2620 & LA364 or B2320 & LA304 or B2301 & B2601 & LA434 (Aug 2019-).	34
Third Function Valve Kit 380-152A for Kubota L2501 L3200 L3800 L3301 L3901 L4600 & L4701.....	36
Third Function Valve Kit 380-168A for Kubota B3350 B2650 & LA534 LA534A.....	38
Third Function Valve Kit 380-311A with Flat Face Couplers For Kubota MX5400 & MX6000 With Cab.....	40
Third Function Valve Kit 380-312A with Flat Face Couplers For Kubota MX5400 & MX6000 With ROPS.....	42
Third Function Valve Kit 380-330A with Pioneer Couplers For Kubota MX5400 & MX6000 With Cab.....	44
Third Function Valve Kit 380-331A with Pioneer Couplers For Kubota MX5400 & MX6000 With ROPS.....	46
Touch-up Paints - LP.....	52
Trip Blade Moldboard.....	8

General Information

Using This Manual

This manual is divided into sections. The first section contains General Information. The remaining sections divide the machine into segments (i.e. Frames, Drives, Hydraulics, etc.) which illustrate and list all parts. A Parts Number Index is located at the back of the book.

The Land Pride parts in this manual are specially designed for this machine and should be replaced with Land Pride parts only.

The information in this manual is current at time of printing. Some parts may change to assure top performance.

Right-hand and left-hand as used in this manual are determined by facing the direction the machine will travel while in use.

Below is an example of two facing pages from a parts manual. Familiarize yourself with the type of information contained on these pages.

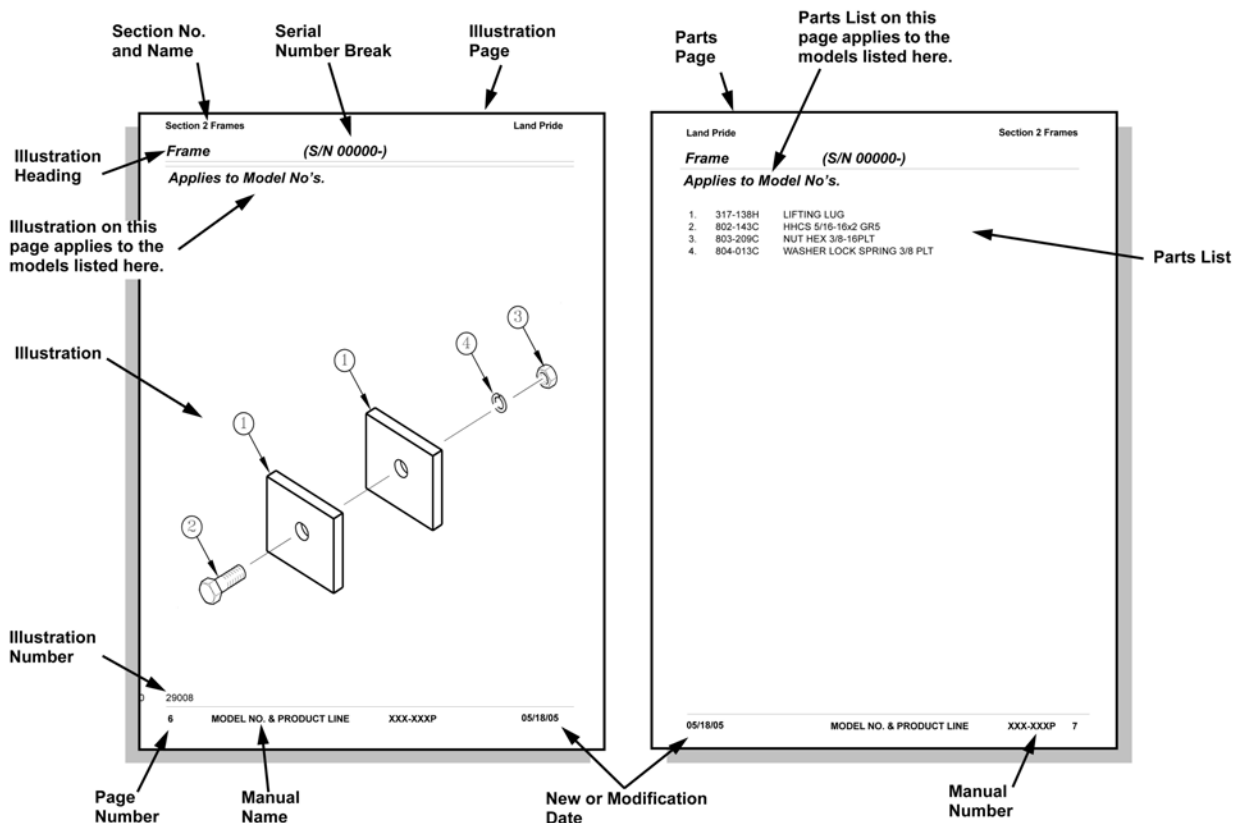
Manual Replacement Information

Replacement manuals are available. Refer to our website at www.landpride.com or e-mail us at lit@landpride.com for additional information. Our website continues to provide the most up-to-date manuals available.

Touch-up Paint

Repaint parts where paint is worn or scratched to prevent rust. Aerosol cans and touch-up bottles with brush applicator are available through your local dealer. Also available are quart and gallon size paints. Add QT or GL to end of the Aerosol P/N.

Land Pride color descriptions and part numbers are listed on the "Land Pride Touch-up Paints" page in the "Decals" section of this book. Color options vary by product.



General Information

Hardware Legend

AR	As Required
BLADE	Blade Bolt
C	Cap Screw
CP	Cotter Pin
CPHSSS	Cup Point Hex Socket Set Screw
CPSHSS	Cup Point Square Head Set Screw
CPSQHSS	Cup Point Square Head Set Screw
CRFCHMS3	Cross Recess Flat Countersunk Head Machine Screw
CRPHMS	Cross Recess Pan Head Machine Screw
CRPHTF	Cross Recess Pan Head Thread Forming
CRRHMS	Cross Recess Round Head Machine Screw
CRTHMS	Cross Recess Truss Head Machine Screw
CSNB	Countersunk Square Neck Bolt
FHMS	Flat Head Machine Screw
FTC	Full Thread Cap Screw
H	Hex Nut
HCLN	Hex Center Lock Nut
HFLCS	Hex Flange Lock Cap Screw
HFS	Hex Flange Screw
HFSLN	Hex Flange Serrated Lock Nut
HFSS	Hex Flange Serrated Screw
HHCS	Hex Head Cap Screw or Metric Bolt
HSBHCS	Hex Socket Button Head Cap Screw
HSFCHCS	Hex Socket Flat Countersunk Head Cap Screw
HSHCS	Hex Socket Head Cap Screw
HSSS	Hex Socket Head Screw
HTLN	Hex Top Lock Nut
HWHCS	Hex Washer Head Cap Screw

HWHMS	Hex Washer Head Machine Screw
HXBHCS	Hex Socket Button Head Cap Screw
J	Hex Jam Nut
JIC	37 Degree Tapered Thread
L	Helical Spring Lock Washer
LUG	Lug Bolt
NFC	National Fine Cap Screw
NPSM	National Pipe Straight Mechanical
NPTF	National Pipe Taper Fuel
P	Wide Plain Washer
PHMS	Pan Head Machine Screw
PLOW	Plow Bolt
RHMS	Round Head Machine Screw
RHSNB	Round Head Square Neck Bolt
SCREW LEVELING	Leveling Screw
SCREW THUMB	Thumb Screw
SCREW WELD	Weld Screw
SFCHMS	Slotted Flat Countersunk Head Machine Screw
SFHMS	Slotted Fillister Head Machine Screw
SP	Special
SP SCREW	Special Screw
SOHSS	Square Head Set Screw
SRHMS	Slotted Round Head Machine Screw
SSS	Socket Set Screw
STCS	Self Tapping Cap Screw
STHMS	Slotted Truss Head Machine Screw
WHEEL	Wheel Studs and Hub Long Bolts
WING	Wing Bolt

Replacement Hardware

The **Hardware Legend** above lists hardware abbreviations used in the parts list. All bolts and nuts are Grade 5 unless otherwise noted. The use of improper grades of hardware can result in personal injury, damage to equipment, or loss of property.

Colored Replacement Parts

Land Pride offers replacement parts in factory standard colors and also on select models in Green, Orange, Red and Blue. Because of the variety of colors available, special attention must be given to the part number to prevent ordering the wrong replacement part.

A suffix number corresponding to one of the colors below must be added at the end of Land Pride's part number when ordering a replacement part with that color.

81 **Green** **83** **Red**
82 **Orange** **84** **Blue**

For example, if you are ordering a replacement part with part number 555-555C and the part you need is red, then add the suffix 83 to the end of the number to make the part number read 555-555C83. Parts ordered without a suffix number will be supplied in factory standard colors.

Black Replacement Parts

Some parts are factory standard black and some must be special ordered black. If your part is special ordered black, a second part number with the additional suffix number 85 on the end will be available. In this situation you must order that part with the suffix number for it to be black. Parts that are factory standard black will not have the suffix number.

Part Number Service Coding

Within the parts list some part numbers are coded for revisions and interchangeability. See notations in revision column.

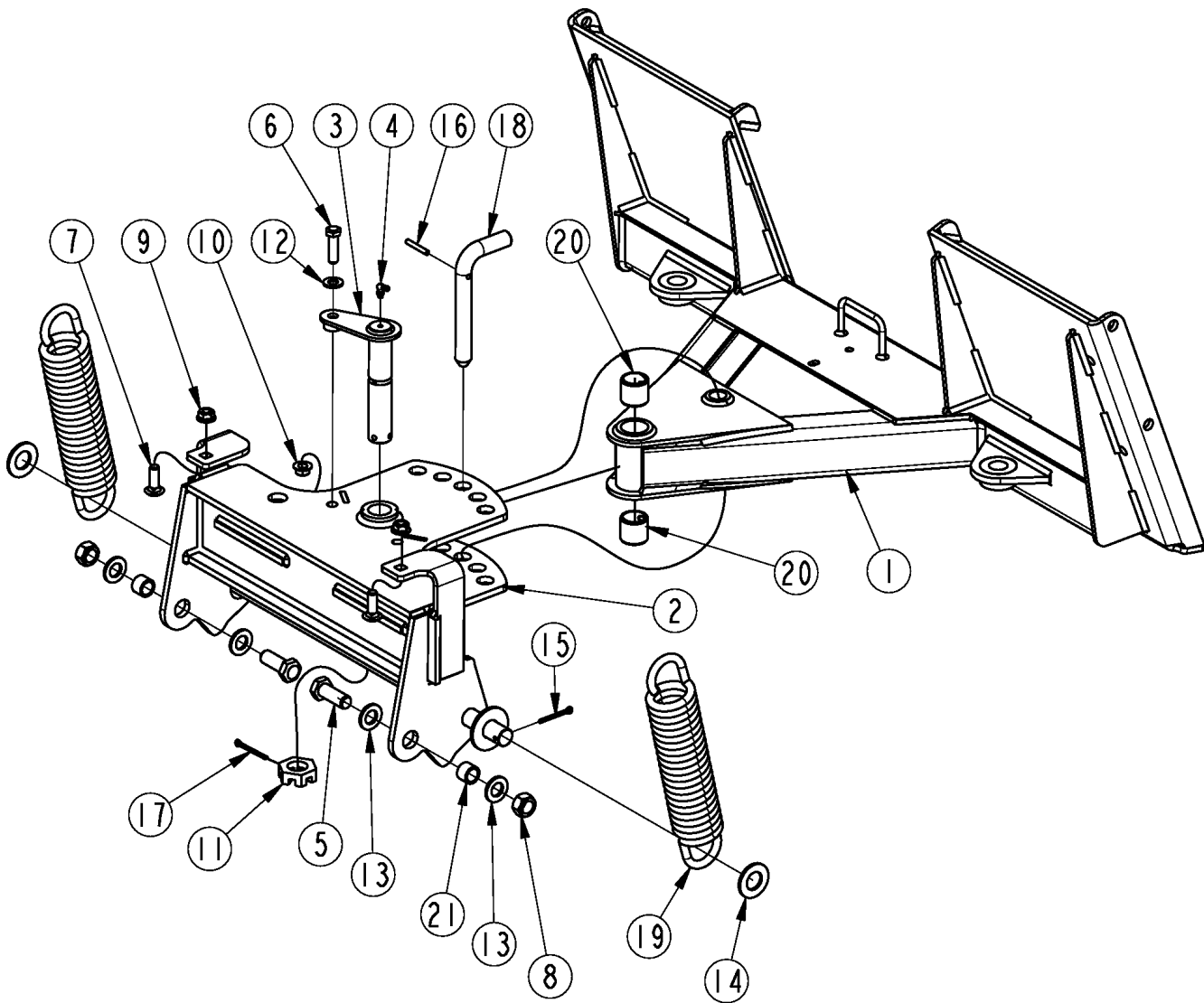
Serial Numbers

Always use the serial and model number when ordering parts. Refer to the Operator's Manual for serial number plate location.

- | | |
|----------------------|--|
| (S/N 20001+) | Includes serial numbers 20001 and above (to the latest number) |
| (S/N 10001 to 20000) | Includes serial numbers between and including 10001 and 20000 |
| (S/N 10000-) | Includes serial numbers 10000 and below (to the earliest number) |

Hitch & Pivot Assembly

Applies to STB1060, STB1072



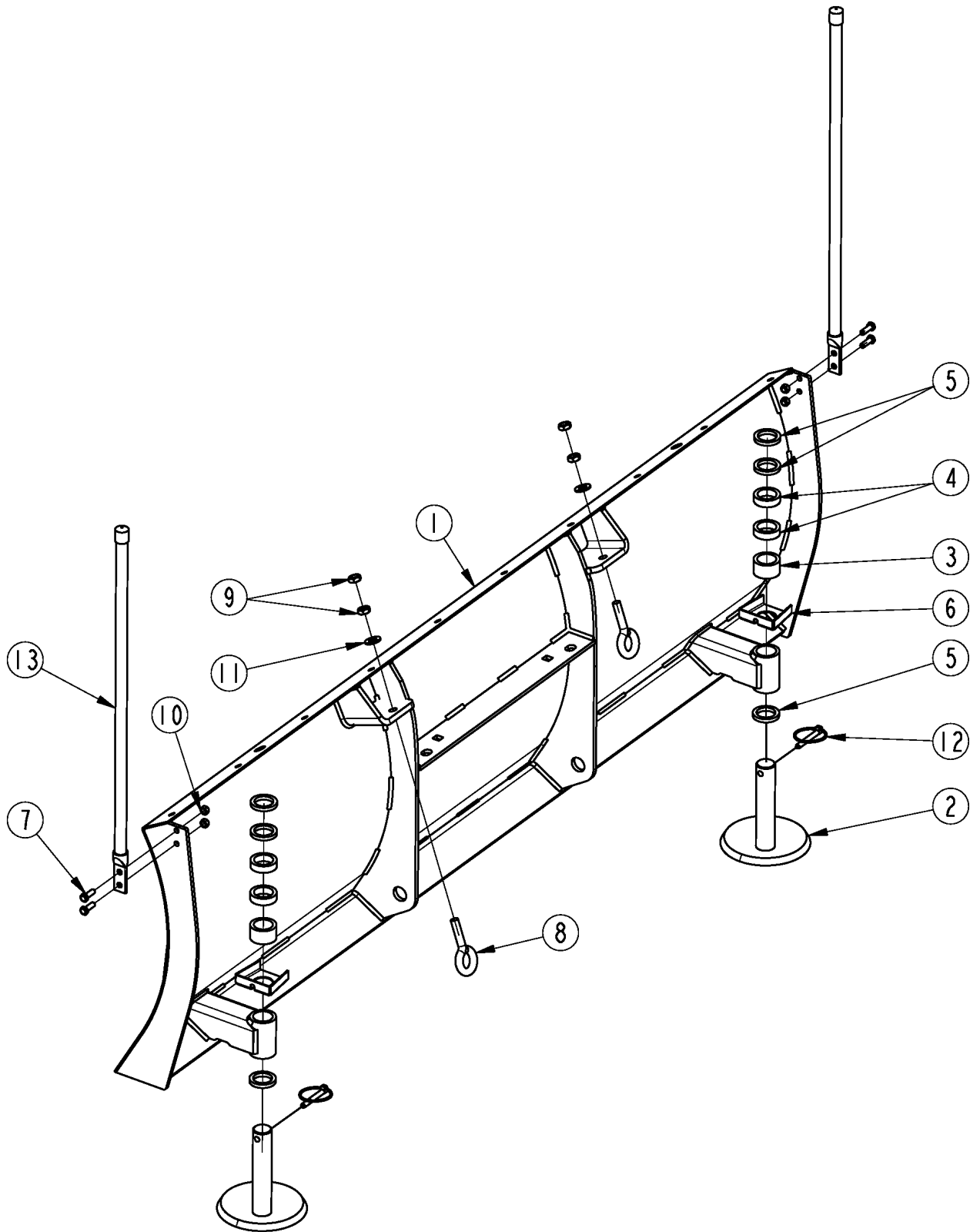
39404

Hitch & Pivot Assembly**Applies to STB1060, STB1072**

Ref	Part No.	Part Description	Comments	Revision
	Dwg 39404	Image No.		
1.	301-514H	STB HITCH ASSEMBLY		
2.	301-515H	PIVOT WELDMENT 10		
3.	330-616H	PIVOT PIN TANDEM ARM		
4.	800-073C	GREASE ZERK 1/4-28 X 90-DEG		
5.	802-064C	HHCS 3/4-10X2 GR5		
6.	802-082C	HHCS 1/2-13X1 3/4 GR5		
7.	802-106C	RHSNB 1/2-13X1 1/2 GR5		
8.	803-026C	NUT LOCK 3/4-10 PLT		
9.	803-037C	NUT HEX WHIZ 1/2-13 PLT		
10.	803-169C	NUT HEX FLG LOCK 1/2-13 PLT		
11.	803-381C	NUT HEX JAM SLOTTED 1 1/4-7		
12.	804-016C	WASHER FLAT 1/2 SAE PLT		
13.	804-025C	WASHER FLAT 3/4 SAE PLT		
14.	804-029C	WASHER FLAT 1 SAE		
15.	805-017C	PIN COTTER 3/16 X 1 3/4 PLT		
16.	805-041C	PIN ROLL 1/4X1 3/4		
17.	805-058C	PIN COTTER 3/16 X 2		
18.	805-516C	PIN BENT .88X5.12 USBL		
19.	807-342C	SPRING EXT 2.75ODX.44X13.38		
20.	891-177C	BHG 1.50ODX1.25X1.38		
21.	891-595C	BSHG 1OD X 11GWL X .75		

Trip Blade Moldboard

Applies to STB1060, STB1072



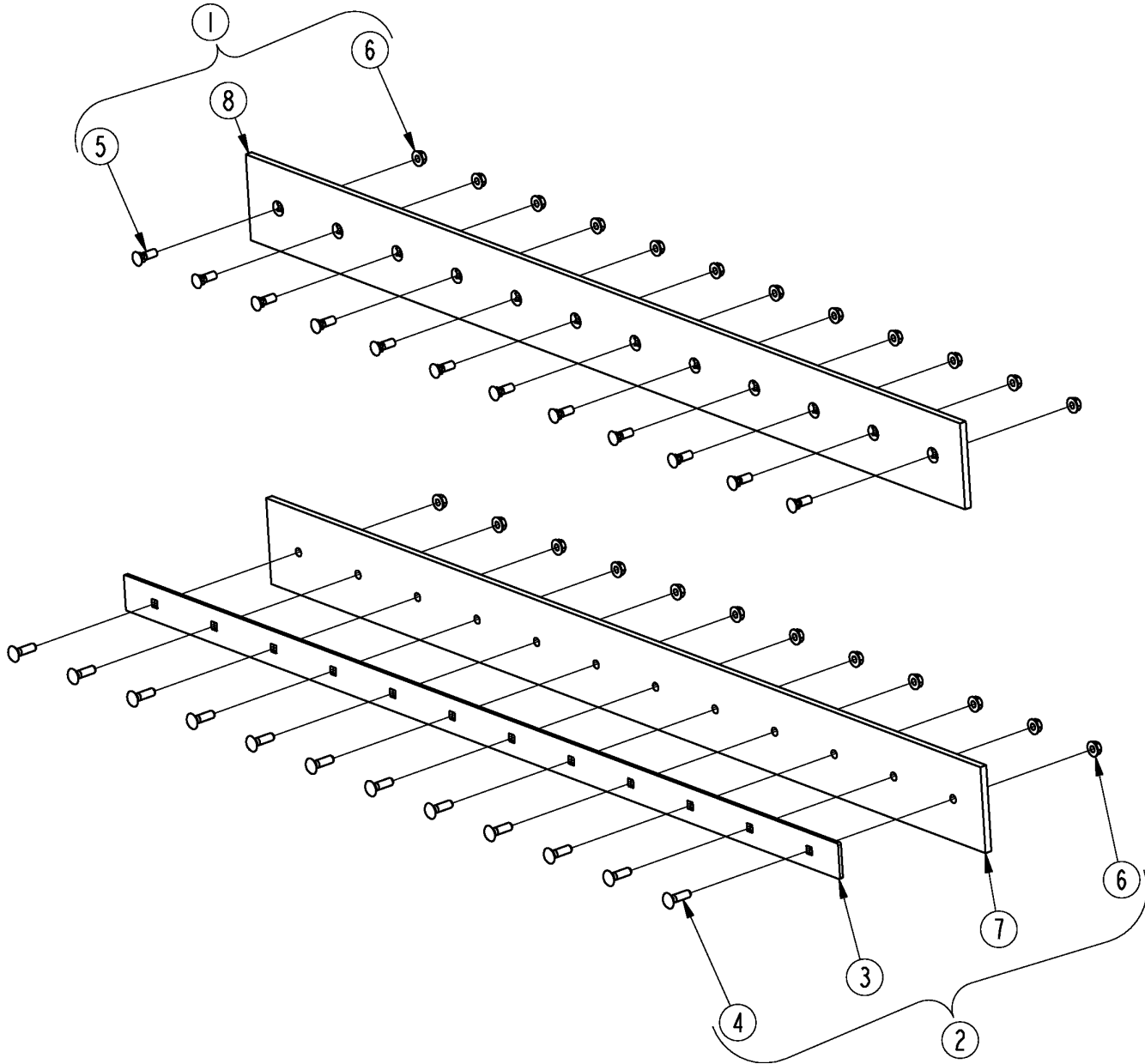
39403

Trip Blade Moldboard**Applies to STB1060, STB1072**

Ref	Part No.	Part Description	Comments	Revision
	Dwg 39403	Image No.		
1.	301-495H	21" X 60" TRIP BLADE MOLDBOARD		
1.	301-496H	21" X 72" TRIP BLADE MOLDBOARD		
2.	301-465H	AR400 TRIP BLADE SKID SHOE		
3.	310-251D	G.W. SPACER 1		
4.	310-252D	G.W. SPACER 1/2		
5.	310-359D	GW SPACER 1/4		
6.	332-029D	PROTECTOR LINCH PIN 1.31 HL	S/N 1120600+	
7.	802-159C	HHCS 5/16-18X1 GR5		
8.	802-655C	EYE-BOLT 1/2-13 PLT		
9.	803-036C	NUT HEX JAM 1/2-13 PLT		
10.	803-084C	NUT HEX NYLOCK 5/16-18 PLT		
11.	804-016C	WASHER FLAT 1/2 SAE PLT		
12.	805-158C	PIN LINCH 5/16 X 2 11/32	S/N 1120600+	
12.	805-015C	PIN LINCH 5/16 X 1 3/4	S/N 1120599-	
13.	891-123C	MARKER ORANGE 28"		

Cutting Edge Options

Applies to STB1060, STB1072



39395

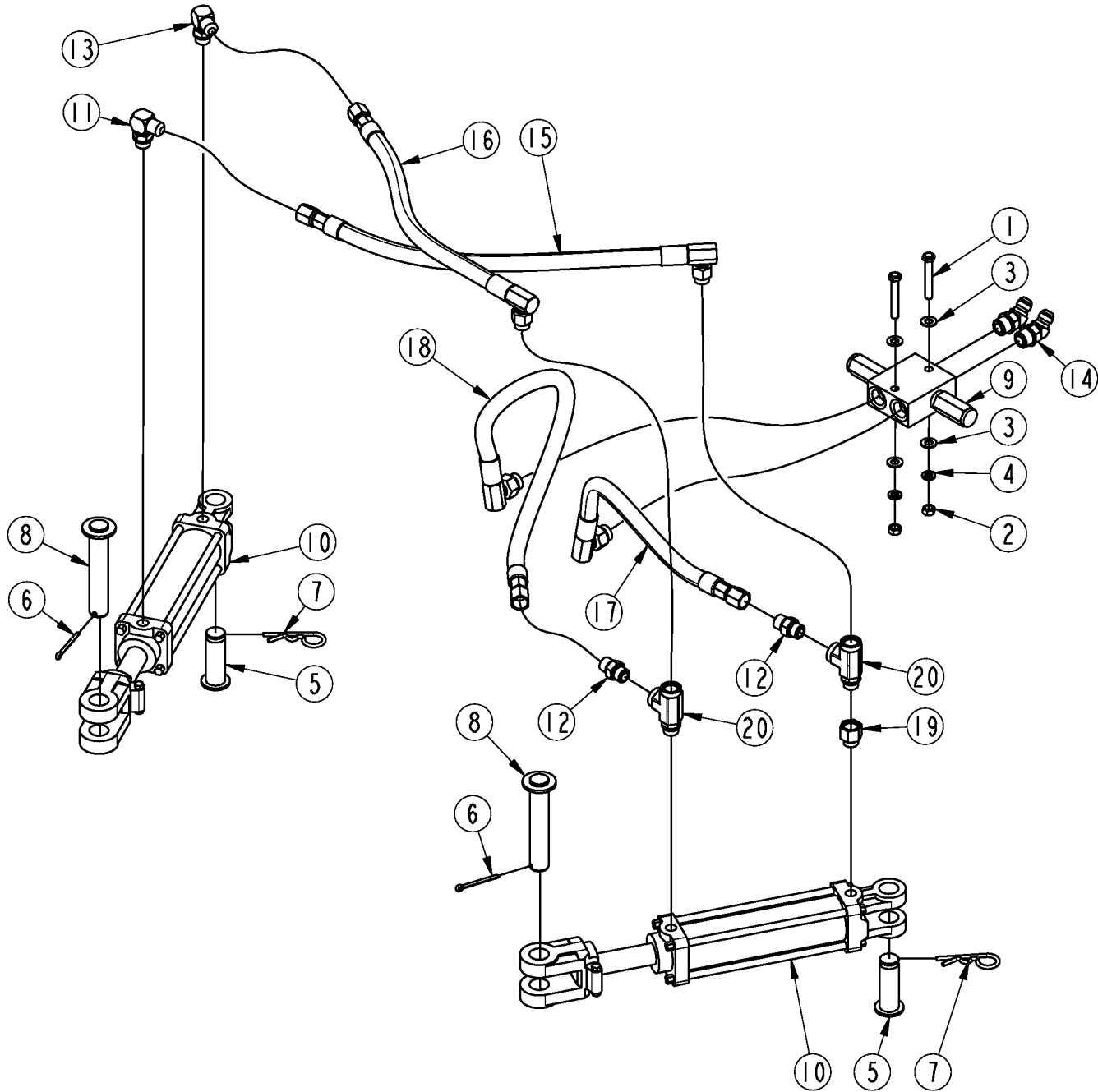
Cutting Edge Options

Applies to STB1060, STB1072

Ref	Part No.	Part Description	Comments	Revision
	Dwg 39395	Image No.		
1.	301-479A	STEEL CUTTING EDGE ASSY 60"	STB1060	
1.	301-480A	STEEL CUTTING EDGE ASSY 72"	STB1072	
2.	301-487A	POLY CUTTING EDGE ASSY 60"	STB1060	
2.	301-488A	POLY CUTTING EDGE ASSY 72"	STB1072	
3.	301-574D	POLY BLADE STRAP 60"	STB1060	
3.	301-575D	POLY BLADE STRAP 72"	STB1072	
4.	802-331C	RHSNB 1/2-13X1 3/4 GR5		
5.	802-354C	PLOW 1/2-13X1 1/2 GR5		
6.	803-037C	NUT HEX WHIZ 1/2-13 PLT		
7.	837-023C	POLY CUTTING EDGE 60"	STB1060 (10 bolt holes)	
7.	837-024C	POLY CUTTING EDGE 72"	STB1072 (12 bolt holes)	
8.	891-439C	STEEL CUTTING EDGE 60"	STB1060 (10 bolt holes)	
8.	891-440C	STEEL CUTTING EDGE 72"	STB1072 (12 bolt holes)	

Cylinder Dual & Cushion Valve S/N _____ +

Applies to STB1060, STB1072



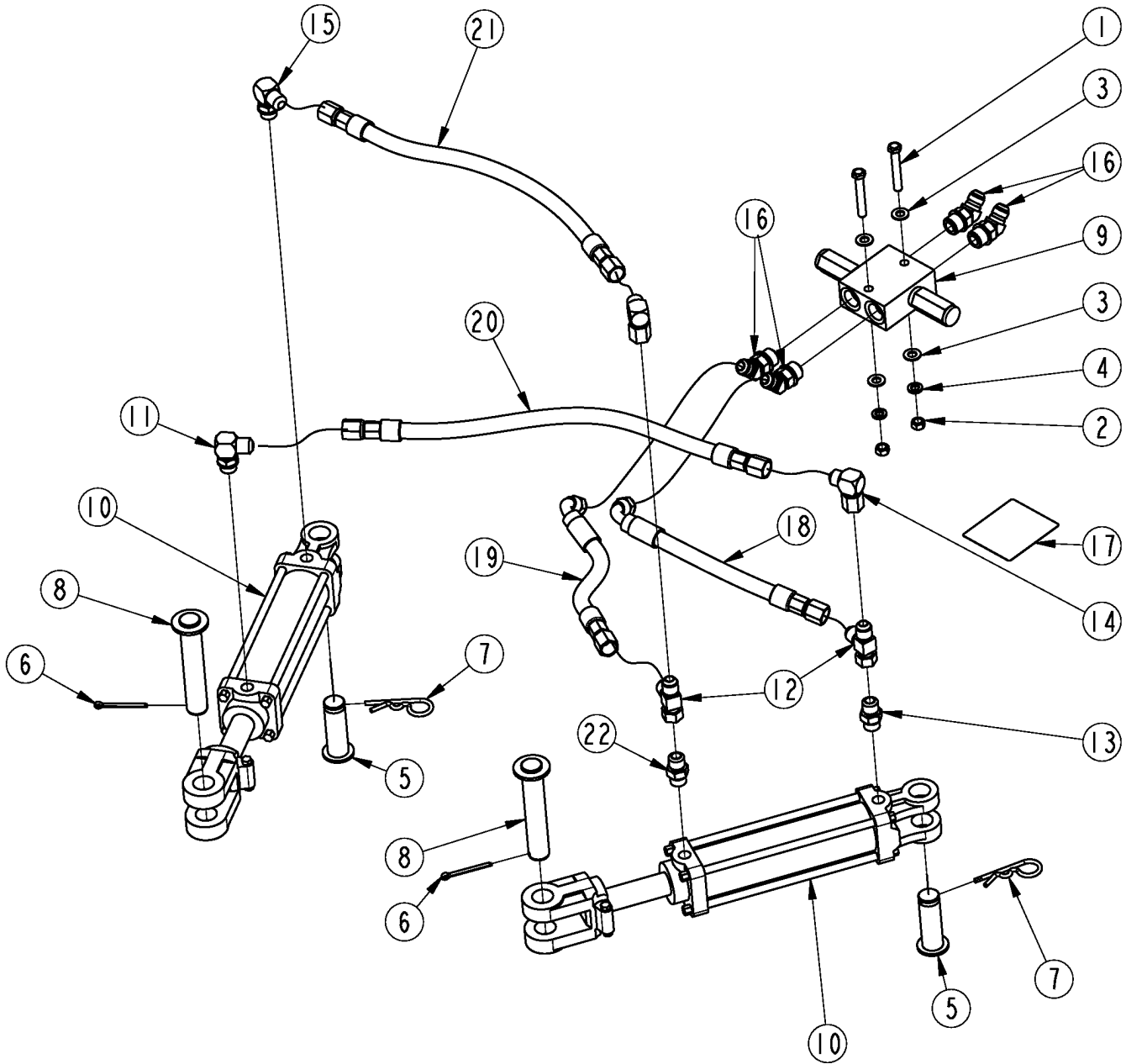
70971

Cylinder Dual & Cushion Valve S/N _____ +**Applies to STB1060, STB1072**

Ref	Part No.	Part Description	Comments	Revision
	Dwg 70971 301-534A	Image No. DUAL CYL W/CUSHION VALVE-10 *		
1.	802-114C	HHCS 3/8-16X2 1/2 GR5		
2.	803-014C	NUT HEX 3/8-16 PLT		
3.	804-012C	WASHER FLAT 3/8 SAE PLT		
4.	804-013C	WASHER LOCK SPRING 3/8 PLT		
5.	805-004C	PIN CLVS 1.0X2.75 USBL		
6.	805-058C	PIN COTTER 3/16 X 2		
7.	805-088C	PIN, HAIR COTTER 3/16 WIRE DIA		
8.	805-219C	PIN CLVS 1.0X5.0 USBL GR5		
9.	810-385C	VALVE CYLINDER CUSHION 1600PSI		
10.	810-601C	CYL 2X6X1.125 ROD (TIE ROD)		
11.	811-063C	EL 3/4MJIC 3/4MORB		
12.	811-088C	AD 3/4MORB 3/4MJIC		
13.	811-153C	OREL 1/16 3/4MJIC 3/4MORB		
14.	811-778C	EL 45 7/8MORB 3/4MJIC		
15.	861-345C	HH3/8R16 25 3/4FJIC3/4MORB90SW		
16.	861-345C	HH3/8R16 25 3/4FJIC3/4MORB90SW		
17.	861-346C	HH3/8R16 18 3/4FJIC7/8MROB90SW		
18.	861-346C	HH3/8R16 18 3/4FJIC7/8MROB90SW		
19.	861-347C	ORAD 5/64 3/4MORB 3/4FORB		
20.	861-348C	TE 3/4MORB 3/4FORB 3/4FORB		

Cylinder Dual & Cushion Valve S/N _____ -

Applies to STB1060, STB1072



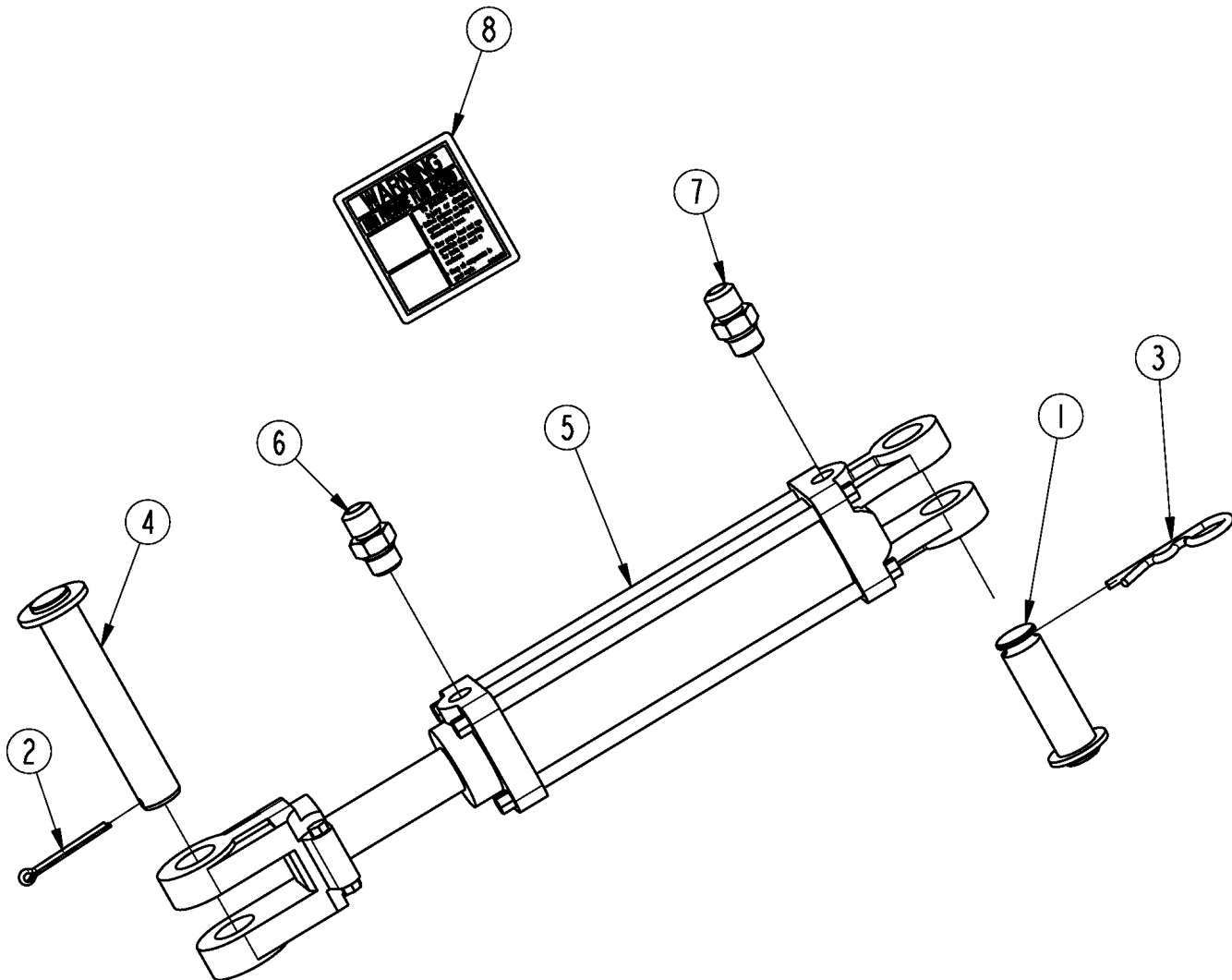
39397

Cylinder Dual & Cushion Valve S/N _____ -**Applies to STB1060, STB1072**

Ref	Part No.	Part Description	Comments	Revision
	Dwg 39397	Image No.		
1.	802-114C	HHCS 3/8-16X2 1/2 GR5		
2.	803-014C	NUT HEX 3/8-16 PLT		
3.	804-012C	WASHER FLAT 3/8 SAE PLT		
4.	804-013C	WASHER LOCK SPRING 3/8 PLT		
5.	805-004C	PIN CLVS 1.0X2.75 USBL		
6.	805-058C	PIN COTTER 3/16 X 2		
7.	805-088C	PIN, HAIR COTTER 3/16 WIRE DIA		
8.	805-219C	PIN CLVS 1.0X5.0 USBL GR5		
9.	810-385C	VALVE CYLINDER CUSHION 1600PSI		
10.	810-601C	CYL 2X6X1.125 ROD (TIE ROD)		
11.	811-063C	EL 3/4MJIC 3/4MORB		
12.	811-073C	TE 3/4MJIC 3/4MJIC 3/4FJIC		
13.	811-114C	ORAD 5/64 3/4MJIC 3/4MORB		
14.	811-150C	EL 3/4FJIC 3/4MJIC		
15.	811-153C	OREL 1/16 3/4MJIC 3/4MORB		
16.	811-778C	EL 45 7/8MORB 3/4MJIC		
17.	848-747C	DECAL HIGH PRESSURE FLUIDS		
18.	851-279C	RPBY 851-280C	S/N 1113000-	
19.	851-280C	HH3/8R16 018 3/4FJIC(1 90) TC		
20.	851-284C	HH3/8R16 025 3/4FJIC TC		
21.	851-284C	HH3/8R16 025 3/4FJIC TC		
22.	811-088C	AD 3/4MORB 3/4MJIC		

Cylinder Single Angling

Applies to STB1060, STB1072



39396

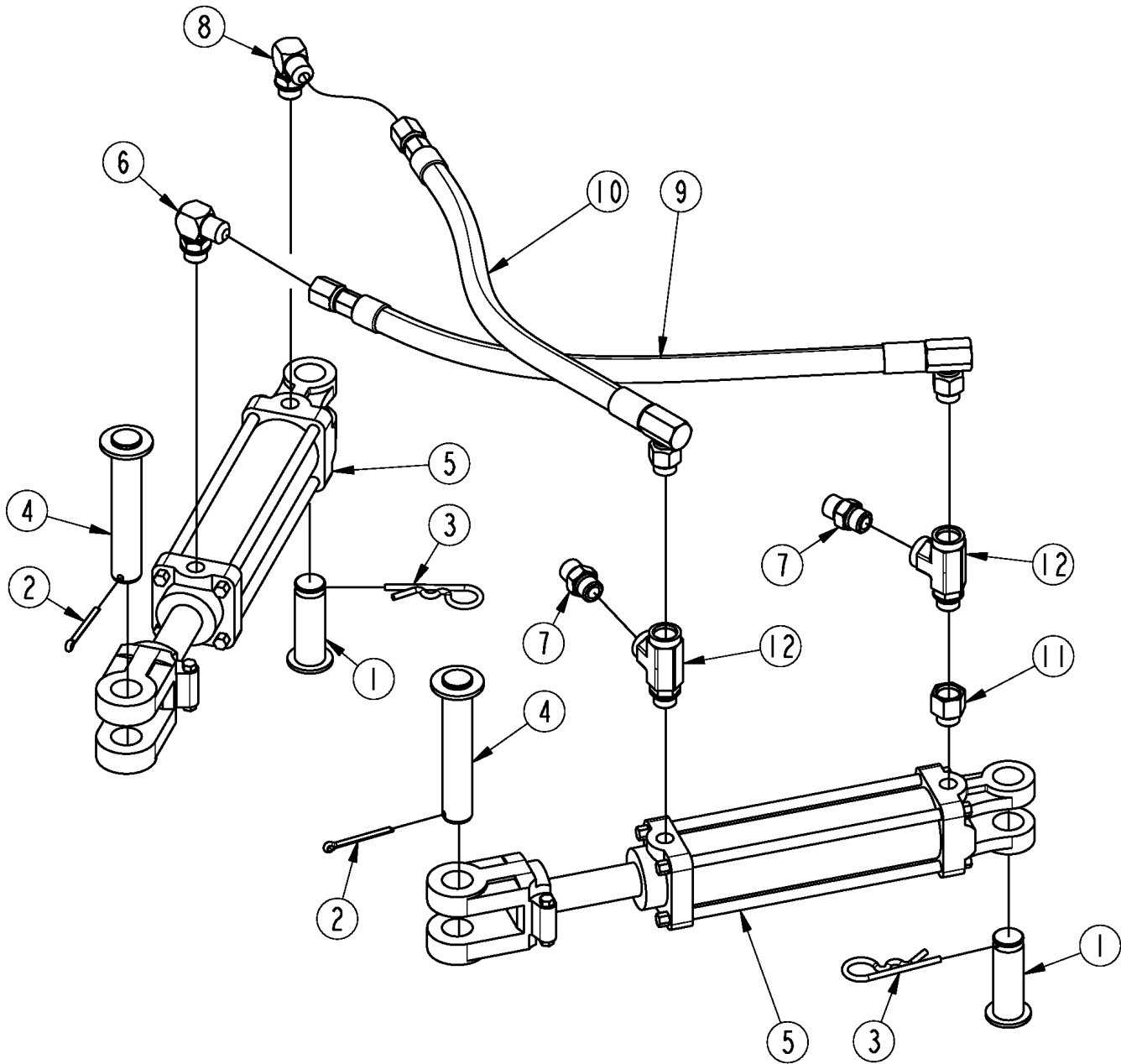
Cylinder Single Angling

Applies to STB1060, STB1072

Ref	Part No.	Part Description	Comments	Revision
	Dwg 39396	Image No.		
	301-492A	SINGLE ANGLING CYLINDER		
	*			
1.	805-004C	PIN CLVS 1.0X2.75 USBL		
2.	805-058C	PIN COTTER 3/16 X 2		
3.	805-088C	PIN, HAIR COTTER 3/16 WIRE DIA		
4.	805-219C	PIN CLVS 1.0X5.0 USBL GR5		
5.	810-601C	CYL 2X6X1.125 ROD (TIE ROD)		
6.	811-088C	AD 3/4MORB 3/4MJIC		
7.	811-114C	ORAD 5/64 3/4MJIC 3/4MORB		
8.	848-747C	DECAL HIGH PRESSURE FLUIDS		

Cylinders Dual Angling S/N _____ +

Applies to STB1060, STB1072



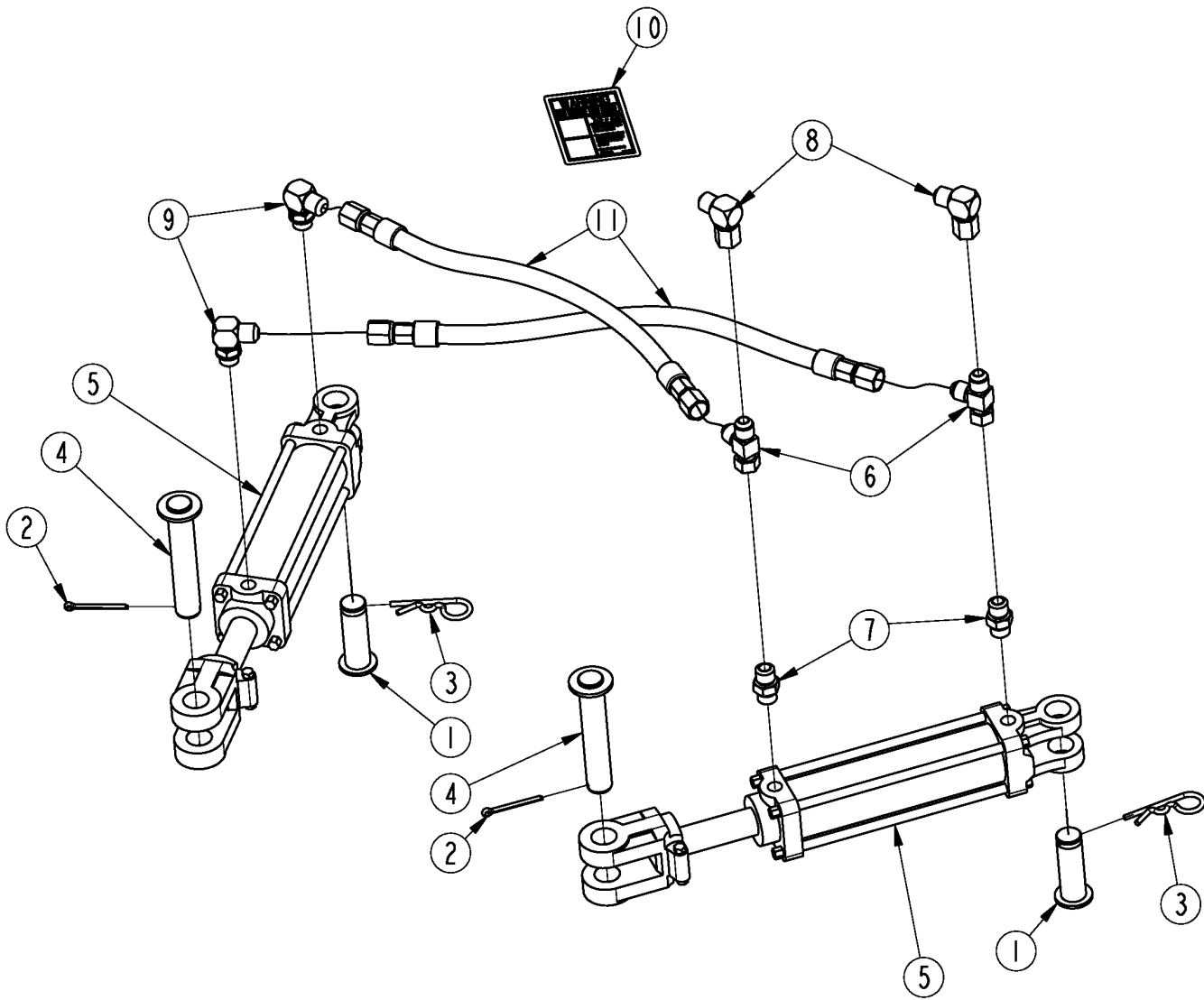
70970

Cylinders Dual Angling S/N _____ +**Applies to STB1060, STB1072**

Ref	Part No.	Part Description	Comments	Revision
	Dwg 70970 301-530A	Image No. DUAL ANGLING CYLINDERS - 10 *		
1.	805-004C	PIN CLVS 1.0X2.75 USBL		
2.	805-058C	PIN COTTER 3/16 X 2		
3.	805-088C	PIN, HAIR COTTER 3/16 WIRE DIA		
4.	805-219C	PIN CLVS 1.0X5.0 USBL GR5		
5.	810-601C	CYL 2X6X1.125 ROD (TIE ROD)		
6.	811-063C	EL 3/4MJIC 3/4MORB		
7.	811-088C	AD 3/4MORB 3/4MJIC		
8.	811-153C	OREL 1/16 3/4MJIC 3/4MORB		
9.	861-345C	HH3/8R16 25 3/4FJIC3/4MORB90SW		
10.	861-345C	HH3/8R16 25 3/4FJIC3/4MORB90SW		
11.	861-347C	ORAD 5/64 3/4MORB 3/4FORB		
12.	861-348C	TE 3/4MORB 3/4FORB 3/4FORB		

Cylinders Dual Angling S/N _____ -

Applies to STB1060, STB1072



39398

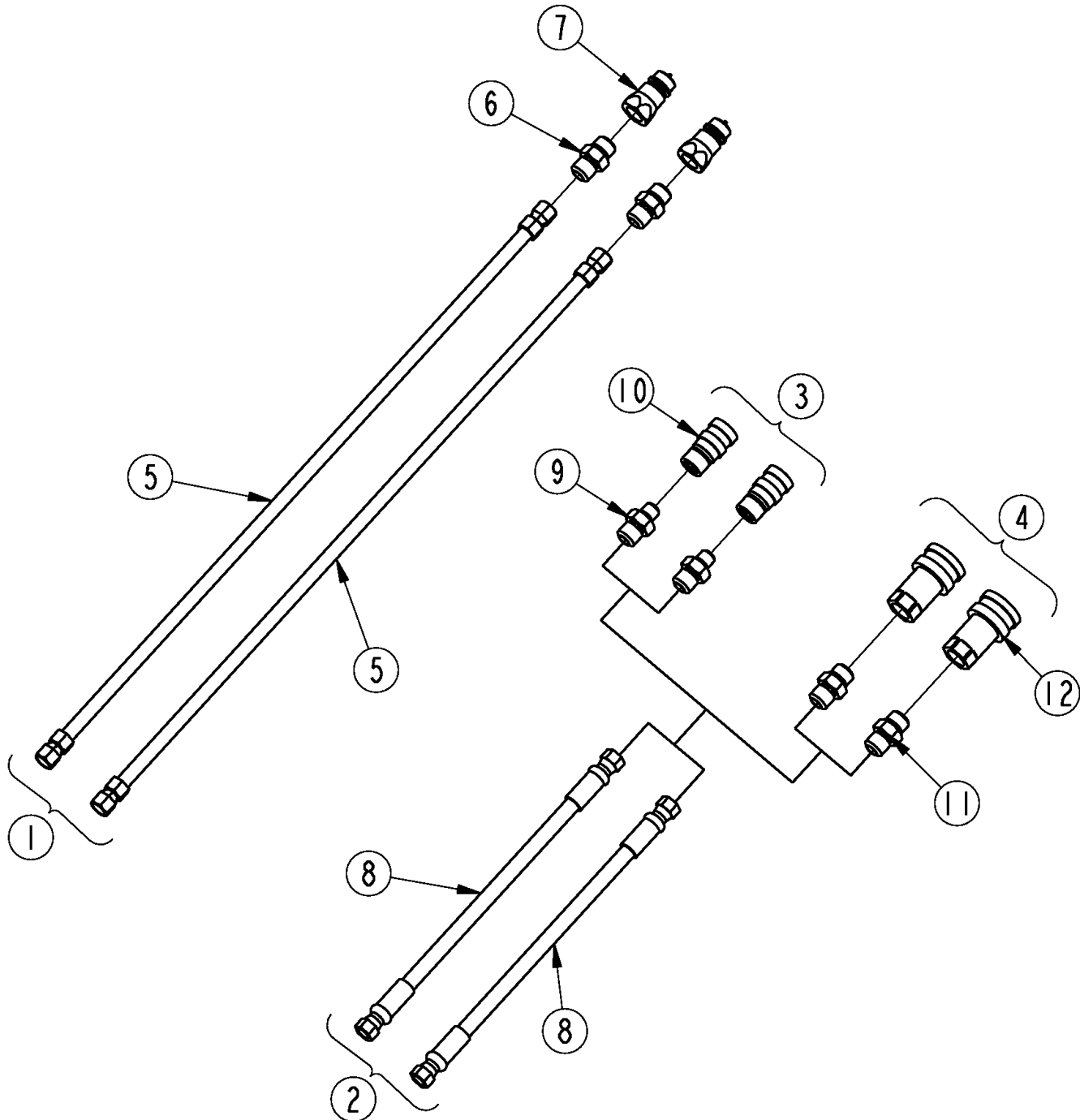
Cylinders Dual Angling S/N _____ -

Applies to STB1060, STB1072

Ref	Part No.	Part Description	Comments	Revision
	Dwg 39398	Image No.		
1.	805-004C	PIN CLVS 1.0X2.75 USBL		
2.	805-058C	PIN COTTER 3/16 X 2		
3.	805-088C	PIN, HAIR COTTER 3/16 WIRE DIA		
4.	805-219C	PIN CLVS 1.0X5.0 USBL GR5		
5.	810-601C	CYL 2X6X1.125 ROD (TIE ROD)		
6.	811-073C	TE 3/4MJIC 3/4MJIC 3/4FJIC		
7.	811-088C	AD 3/4MORB 3/4MJIC		
8.	811-150C	EL 3/4FJIC 3/4MJIC		
9.	811-153C	OREL 1/16 3/4MJIC 3/4MORB		
10.	848-747C	DECAL HIGH PRESSURE FLUIDS		
11.	851-284C	HH3/8R16 025 3/4FJIC TC		

Hose & Coupler Options

Applies to STB1060, STB1072



39736

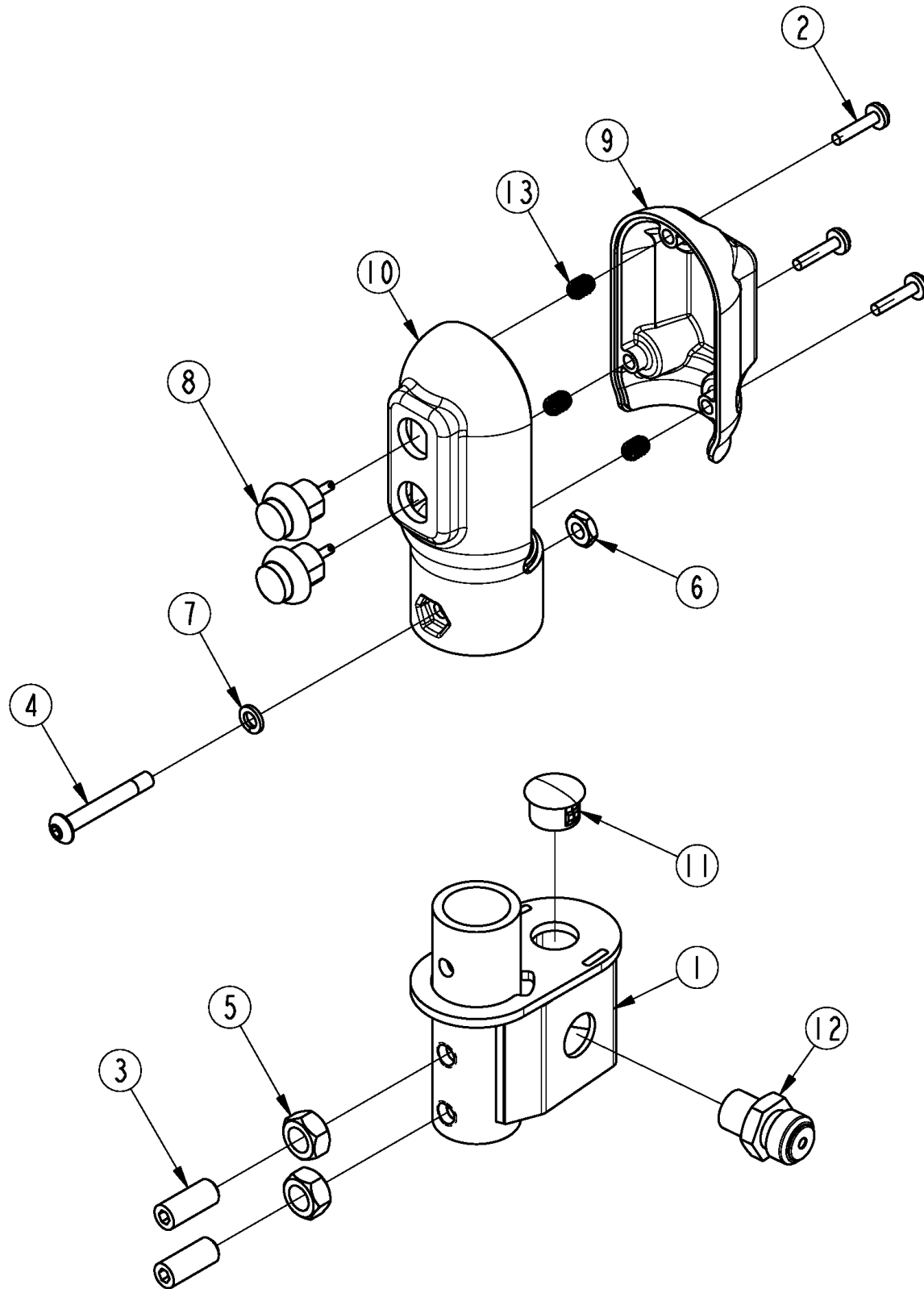
Hose & Coupler Options

Applies to STB1060, STB1072

Ref	Part No.	Part Description	Comments	Revision
	Dwg 39736	Image No.		
1.	301-506A	24' TRACTOR HOSES		
2.	301-507A	TRACTOR HOSES - FRONT		
3.	301-509A	SMALL TRACTOR POPPET COUPLERS		
4.	301-508A	LARGE TRACTOR POPPET COUPLERS		
5.	811-969C	HH3/8R2 283 3/4FJIC		
6.	811-088C	AD 3/4MORB 3/4MJIC		
7.	811-394C	CP 3/4FORB MALE QD POPPET TYPE		
8.	851-283C	HH3/8R16 068 3/4FJIC TC		
9.	811-584C	AD 9/16MORB 3/4MJIC		
10.	841-466C	CP 9/16FORB QD 1/4BODY FEMALE		
11.	811-088C	AD 3/4MORB 3/4MJIC		
12.	811-870C	CP 3/4FORB QD FEMALE (POPPET		

Push Button Control Handle 380-314S

Applies to STB1060, STB1072



73114

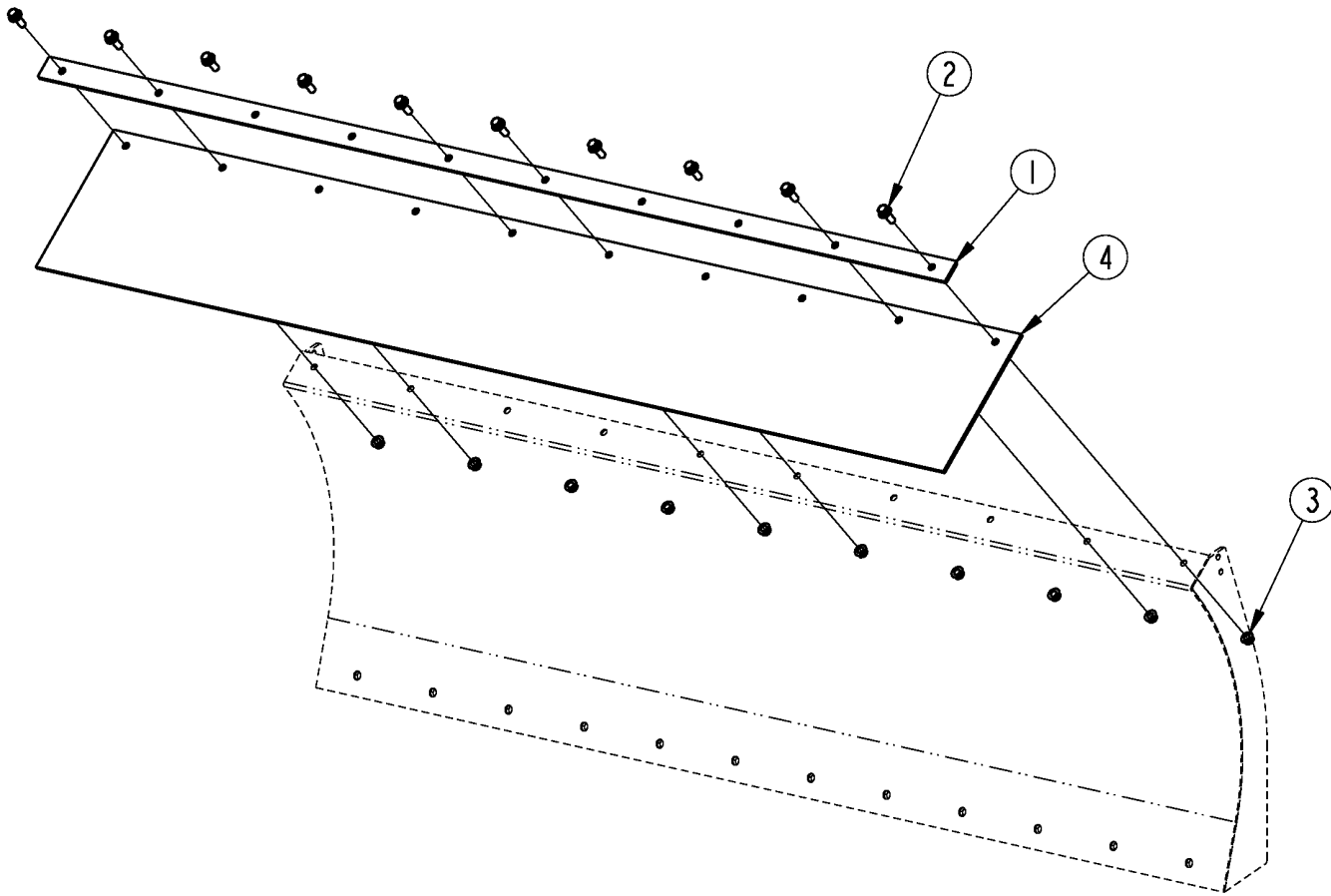
Push Button Control Handle 380-314S

Applies to STB1060, STB1072

Ref	Part No.	Part Description	Comments	Revision
	Dwg 73114 380-314S	Image No. ASY, PSH BUTTN CNTRL HNDL CAB *		
1.	380-313H	WMT, CONTROL HANDLE MOUNT		
2.	801-091C	CRPHMS 6-32X5/8 SS		
3.	801-204C	SCREW SET SCKT HD 5/16-18X3/4		
4.	801-250C	HSBHCS #10-32X1 3/8		
5.	803-008C	NUT HEX 5/16-18 PLT		
6.	803-269C	NUT HEX 10-32 PLT		
7.	804-054C	WASHER LOCK #10		
8.	833-739C	SWITCH, P9 PB NO SPST MOM RED		
9.	837-053C	COVER, PUSH BUTTON CNTRL HNDL		
10.	837-054C	BASE, PUSH BUTTON CNTRL HNDL		
11.	837-365C	PLASTIC SNAP-IN PLUG		
12.	843-178C	POWER SWITCH ON/OFF		
13.	99362A300	6-32 BRASS TAPPING INSERT		

Rubber Deflector

Applies to STB1060, STB1072



39394

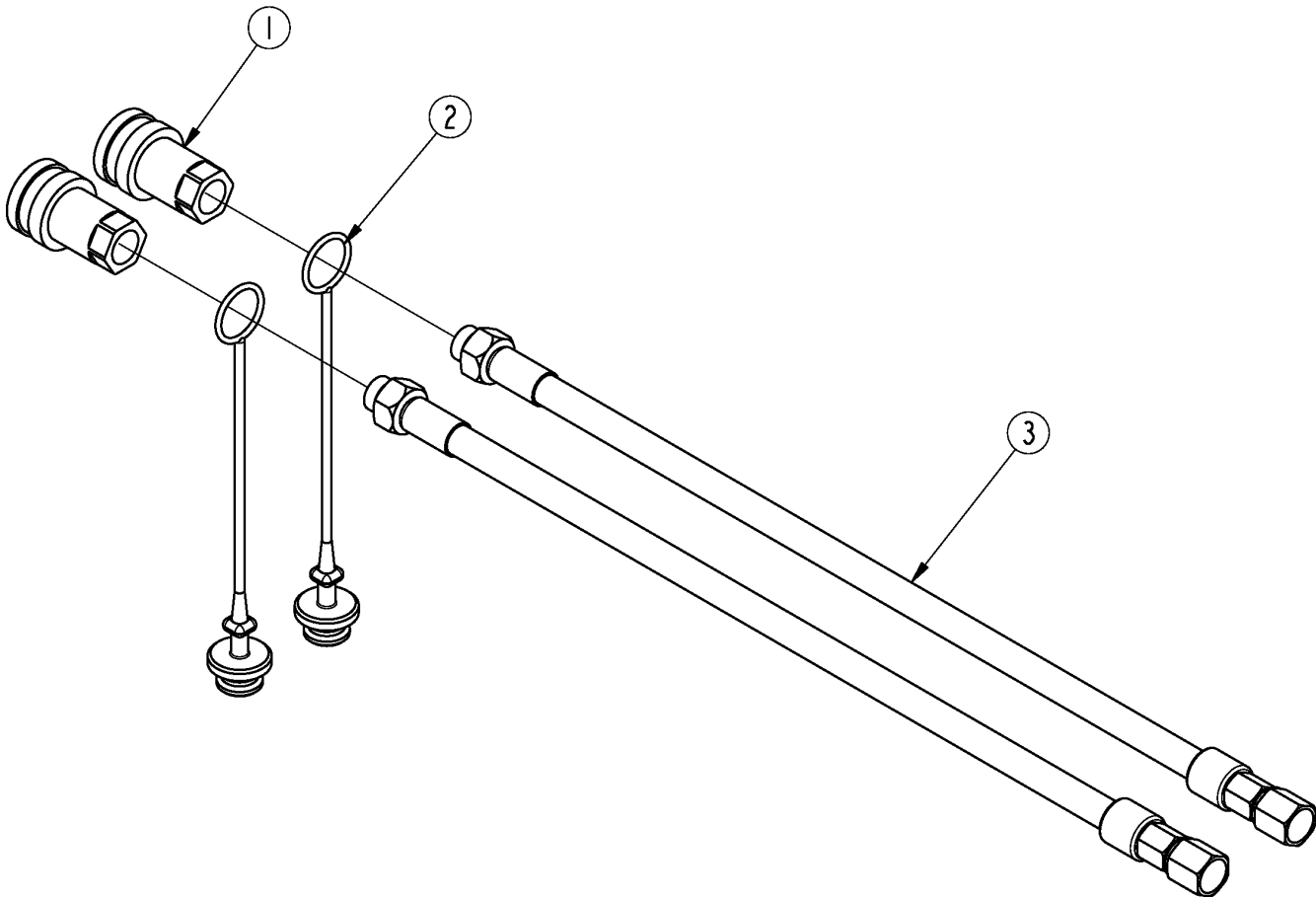
Rubber Deflector

Applies to STB1060, STB1072

Ref	Part No.	Part Description	Comments	Revision
	Dwg 39394	Image No.		
	301-483A	TOP RUBBER DEFLECTOR 60"	STB1060	
	301-484A	TOP RUBBER DEFLECTOR 72"	STB1072	
	*			
1.	301-570D	DEFLECTOR STRAP 60"	STB1060 (8 bolt holes)	
1.	301-571D	DEFLECTOR STRAP 72"	STB1072 (10 bolt holes)	
2.	802-388C	HFS 3/8-16X1 GR5		
3.	803-209C	NUT FLANGE LOCK 3/8-16 PLT		
4.	816-809C	TRIP BLADE DEFLECTOR FLAP 60"	STB1060 (8 bolt holes)	
4.	816-810C	TRIP BLADE DEFLECTOR FLAP 72"	STB1072 (10 bolt holes)	

Third Function Valve Hose Kit 301-565A

Applies to STB1060, STB1072



39946

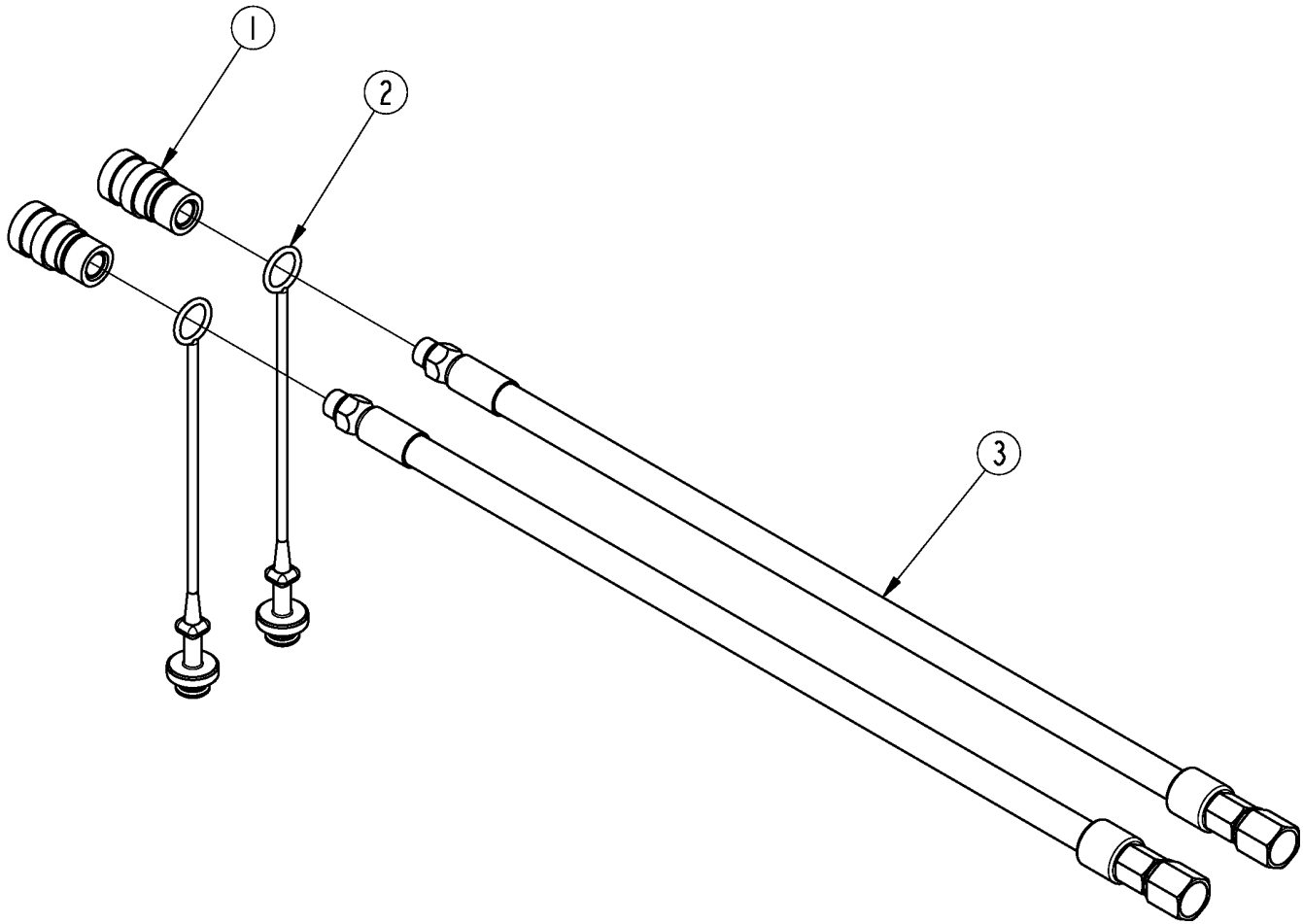
Third Function Valve Hose Kit 301-565A

Applies to STB1060, STB1072

Ref	Part No.	Part Description	Comments	Revision
	Dwg 39946 301-565A	Image No. HOSE KIT, THIRD FUNCTION	For third function valve kits 380-093A, 380-152A, 380-168A and 380-166A	
		*		
1.	811-870C	CP 3/4FORB QD FEMALE (POPPET)		
2.	851-975C	DUST PLUG, 1/2" QD AG		
3.	861-076C	HH3/8R2 066 3/4FJIC 3/4MORB		

Third Function Valve Hose Kit 301-566A

Applies to STB1060, STB1072



39947

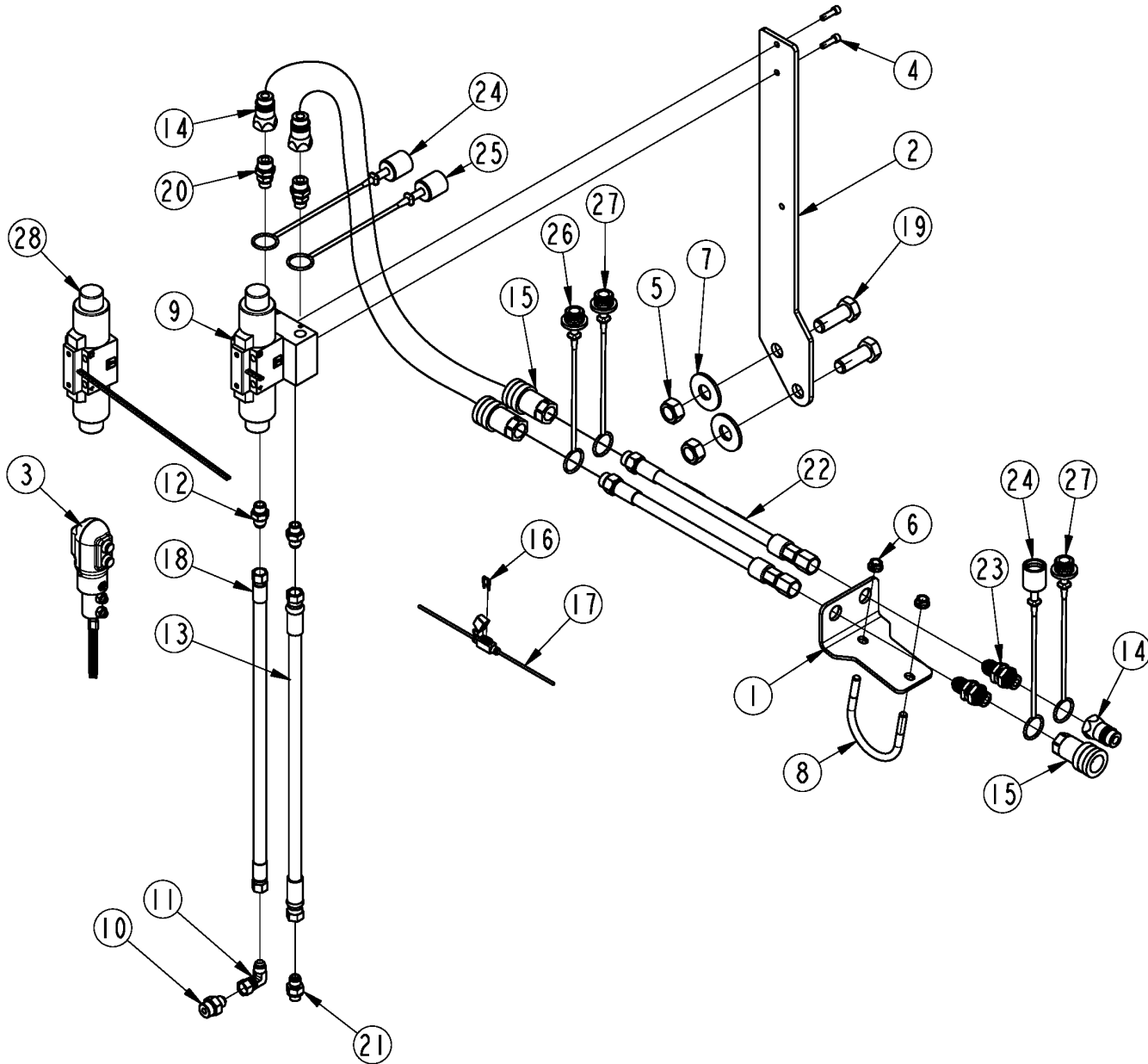
Third Function Valve Hose Kit 301-566A

Applies to STB1060, STB1072

Ref	Part No.	Part Description	Comments	Revision
	Dwg 39947 301-566A	Image No. 3FHK PC 56" *	Obsolete	
1.	841-466C	CP 9/16FORB QD 1/4BODY FEMALE		
2.	851-977C	DUST PLUG, 1/4" QD AG		
3.	861-075C	HH3/8R2 056 3/4FJIC 9/16MORB		

Third Function Valve Kit 380-093A for Kubota B3300 & LA504

Applies to STB1060, STB1072

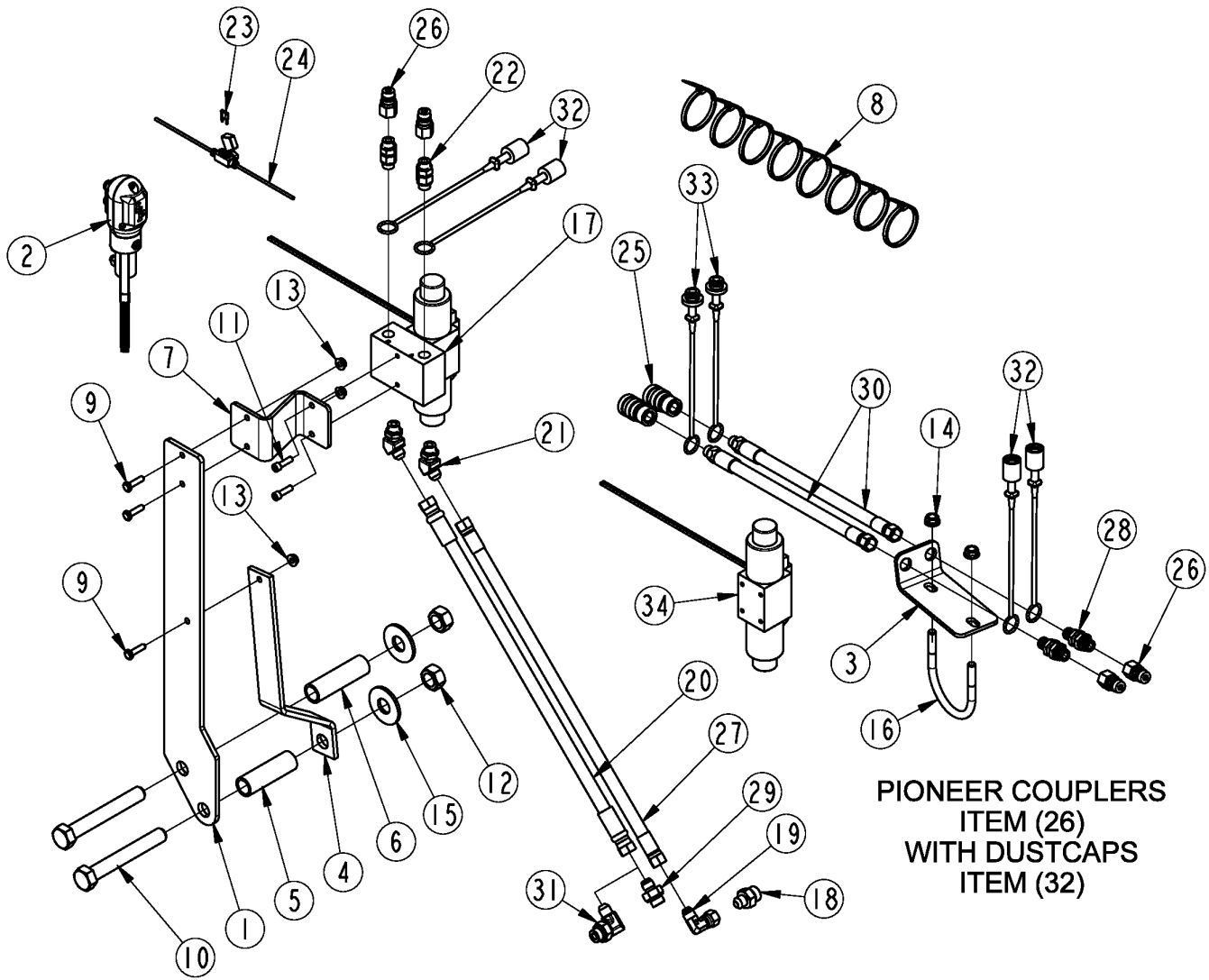


Third Function Valve Kit 380-093A for Kubota B3300 & LA504**Applies to STB1060, STB1072**

Ref	Part No.	Part Description	Comments	Revision
	Dwg 37013 380-093A	Drawing Image Number 3FVK PC B3300 *		
1.	380-164D	PLATE, BLKHD MOUNT		
2.	380-165D	PLATE, VALVE MOUNT		
3.	380-165S	ASY, PUSH BUTTON CNTRL HNDL		
4.	802-418C	HSHCS 1/4-20X7/8		
5.	803-112C	NUT HEX M18X2.5		
6.	803-198C	NUT HEX WHIZ 3/8-16 PLT		
7.	804-024C	WASHER FLAT 3/4 USS PLT		
8.	806-261C	U-BOLT 3/8-16X3X3 5/8 RND		
9.	810-926C	VALVE, THIRD FUNCTION		
10.	811-133C	AD 9/16MJIC 3/4MORB		
11.	811-169C	EL 9/16MJIC 9/16FJIC		
12.	811-170C	AD 9/16MORB 9/16MJIC		
13.	811-253C	HH3/8R2 062 9/16FJIC		
14.	811-394C	CP 3/4FORB MALE QD POPPET TYPE		
15.	811-870C	CP 3/4FORB QD FEMALE (POPPET)		
16.	833-495C	FUSE, 10 AMP MINI BLADE		
17.	833-650C	BLADE FUSE HOLDER, MINI		
18.	841-563C	HH3/8R2 048 FJIC9/16FJIC9/16		
19.	842-216C	HHCS M18X2.5X50 GR8.8 FTHD		
20.	851-084C	AD 9/16MORB 3/4MORB		
21.	851-087C	AD 9/16MJIC 1/4MBSPP		
22.	851-088C	HH3/8R2 074 3/4FJIC 3/4MORB		
23.	851-344C	AD 3/4MJIC 3/4MORB BLKHD W/ LN		
24.	861-539C	BLACK DUST CAP, 1/2" QD AG		
25.	861-540C	GREEN DUST CAP, 1/2" QD AG		
26.	861-541C	BLACK DUST PLUG, 1/2" QD AG		
27.	861-542C	GREEN DUST PLUG, 1/2" QD AG		
28.	850-472C	HYDRO-TEK VALVE REPLACEMENT	Replacement valve for 810-926C (valve only)	

Third Function Valve Kit 380-149A for Kubota B2620 & LA364 or B2320 & LA304 or B2301 & B2601 & LA434 (Aug 2019-)

Applies to STB1060, STB1072

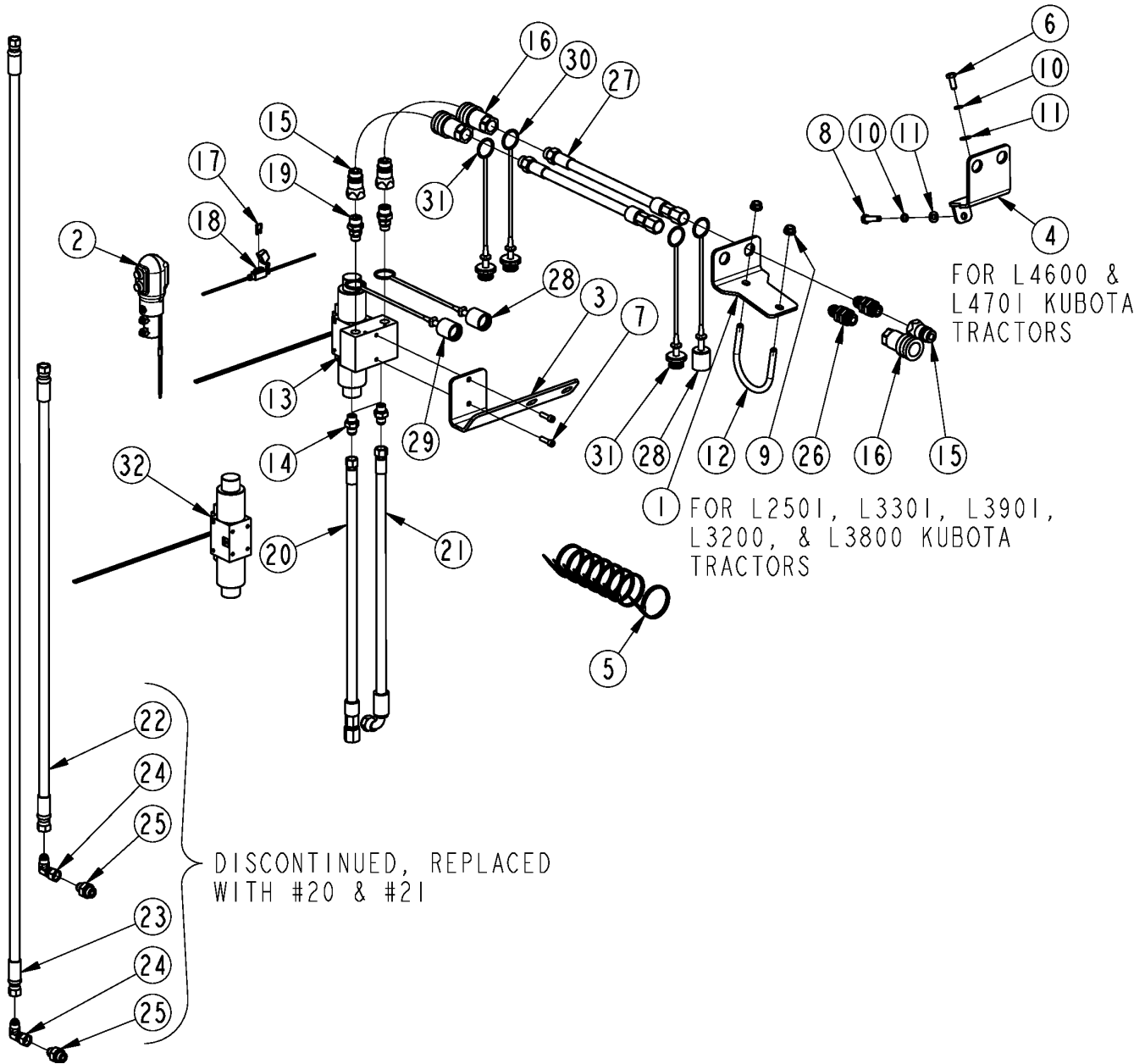


Third Function Valve Kit 380-149A for Kubota B2620 & LA364 or B2320 & LA304 or B2301 & B2601 & LA434 (Aug 2019-)

Applies to STB1060, STB1072				
Ref	Part No.	Part Description	Comments	Revision
	Dwg 37426	Image No.		
	380-149A	3FVK PC B2601 *		
1.	380-165D	PLATE, VALVE MOUNT		
2.	380-165S	ASY, PUSH BUTTON CNTRL HNDL		
3.	380-223D	PLATE, BX BLKHD MOUNT		
4.	380-230D	STRAP, VALVE MNT SUPPORT		
5.	380-231D	TUBE RND DOM. 1ODX.120WLX3.22L		
6.	380-232D	TUBE RND DOM. 1ODX.120WLX3.50L		
7.	380-233D	BRKT, VALVE OFFSET		
8.	800-112C	CABLE TIE .19X7.25 1.75D 50LB		
9.	802-005C	HHCS 1/4-20X1 GR5		
10.	802-230C	HHCS M18X2.5X130 DIN933 FTHD		
11.	802-418C	HSHCS 1/4-20X7/8		
12.	803-112C	NUT HEX M18X2.5		
13.	803-194C	NUT HEX WHIZ 1/4-20 PLT		
14.	803-198C	NUT HEX WHIZ 3/8-16 PLT		
15.	804-024C	WASHER FLAT 3/4 USS PLT		
16.	806-261C	U-BOLT 3/8-16X3X3 5/8 RND		
17.	810-926C	VALVE, THIRD FUNCTION		
18.	811-133C	AD 9/16MJIC 3/4MORB		
19.	811-169C	EL 9/16MJIC 9/16FJIC		
20.	811-253C	HH3/8R2 062 9/16FJIC		
21.	811-416C	EL 45 9/16MJIC 9/16MORB		
22.	811-636C	AD 9/16MORB STRAIGHT UNION		
23.	833-495C	FUSE, 10 AMP MINI BLADE		
24.	833-650C	BLADE FUSE HOLDER, MINI		
25.	841-466C	CP 9/16FORB QD 1/4BODY FEMALE		
26.	841-467C	CP 9/16 FORB QD 1/4 BODY MALE		
27.	841-563C	HH3/8R2 048 FJIC9/16FJIC9/16		
28.	851-276C	AD 9/16MJIC9/16MORB BLKHD W/LN		
29.	851-349C	AD 9/16MJIC 3/8MBSPP		
30.	851-350C	HH1/4R2 072 9/16MORB 9/16FJIC		
31.	851-768C	EL 3/8MBSPP 9/16MJIC	For B2301 & B2601 tractors with LA434 loaders	
32.	851-976C	DUST CAP, 1/4" QD AG		
33.	851-977C	DUST PLUG, 1/4" QD AG		
34.	850-472C	HYDRO-TEK VALVE REPLACEMENT	Replacement valve for 810-926C (valve only)	

Third Function Valve Kit 380-152A for Kubota L2501 L3200 L3800 L3301 L3901 L4600 & L4701

Applies to STB1060, STB1072

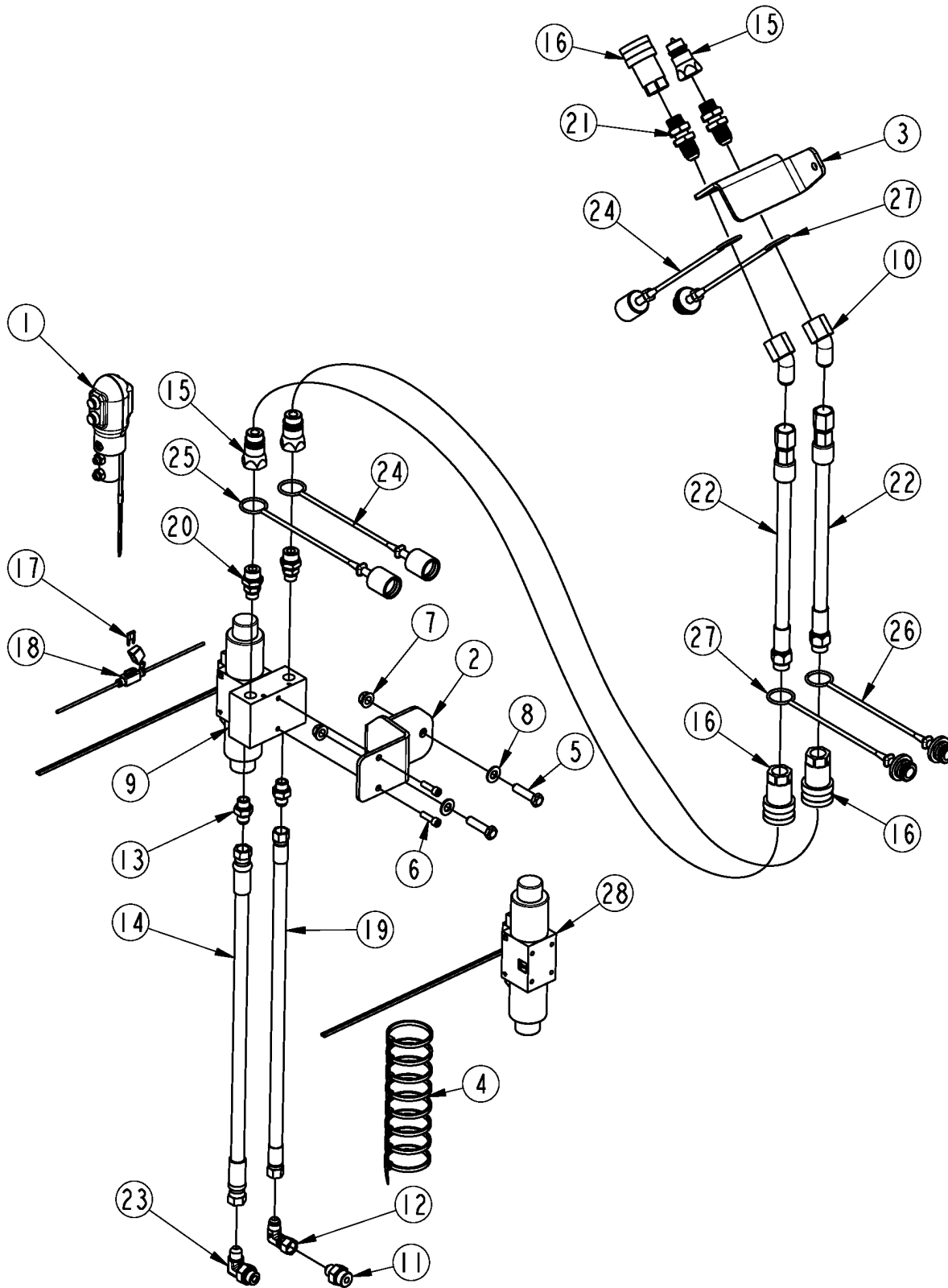


**Third Function Valve Kit 380-152A for Kubota L2501 L3200 L3800 L3301
L3901 L4600 & L4701**

Applies to STB1060, STB1072				
Ref	Part No.	Part Description	Comments	Revision
	Dwg 37198	Image No.		
	380-152A	3FVK PC L4701		
		*		
1.	380-164D	PLATE, BLKHD MOUNT		
2.	380-165S	ASY, PUSH BUTTON CNTRL HNDL		
3.	380-234D	BRKT, VALVE MOUNT		
4.	380-255D	PLATE, BLKHD MOUNT		
5.	800-112C	CABLE TIE .19X7.25 1.75D 50LB		
6.	802-314C	HHCS M8X1.25X20 GR8.8		
7.	802-418C	HSHCS 1/4-20X7/8		
8.	802-967C	HHCS M8X1.25X35 GR8.8		
9.	803-198C	NUT HEX WHIZ 3/8-16 PLT		
10.	804-157C	WASHER SPRING LOCK M8 PLT		
11.	804-161C	WASHER FLAT M8 PLT		
12.	806-261C	U-BOLT 3/8-16X3X3 5/8 RND		
13.	810-926C	VALVE, THIRD FUNCTION		
14.	811-170C	AD 9/16MORB 9/16MJIC		
15.	811-394C	CP 3/4FORB MALE QD POPPET TYPE		
16.	811-870C	CP 3/4FORB QD FEMALE (POPPET)		
17.	833-495C	FUSE, 10 AMP MINI BLADE		
18.	833-650C	BLADE FUSE HOLDER, MINI		
19.	851-084C	AD 9/16MORB 3/4MORB		
20.	841-331C	HH3/8R2 035 3/4FJIC 9/16FJIC		
21.	851-490C	HH3/8R2 035 3/4FJIC90 9/16FJIC		
22.	811-701C	HH3/8R2 033 9/16FJIC		
23.	811-703C	HH3/8R2 068 9/16FJIC		
24.	811-169C	EL 9/16MJIC 9/16FJIC		
25.	851-349C	AD 9/16MJIC 3/8MBSPP		
26.	851-344C	AD 3/4MJIC 3/4MORB BLKHD W/ LN		
27.	851-376C	HH3/8R2 086 3/4FJIC 3/4MORB		
28.	861-539C	DUST CAP, 1/2" QD AG		
29.	861-540C	DUST PLUG, 1/2" QD AG		
30.	861-541C	BLACK DUST PLUG, 1/2" QD AG		
31.	861-542C	GREEN DUST PLUG, 1/2" QD AG		
32.	850-472C	HYDRO-TEK VALVE REPLACEMENT	Replacement valve for 810-926C (valve only)	

Third Function Valve Kit 380-168A for Kubota B3350 B2650 & LA534 LA534A

Applies to STB1060, STB1072



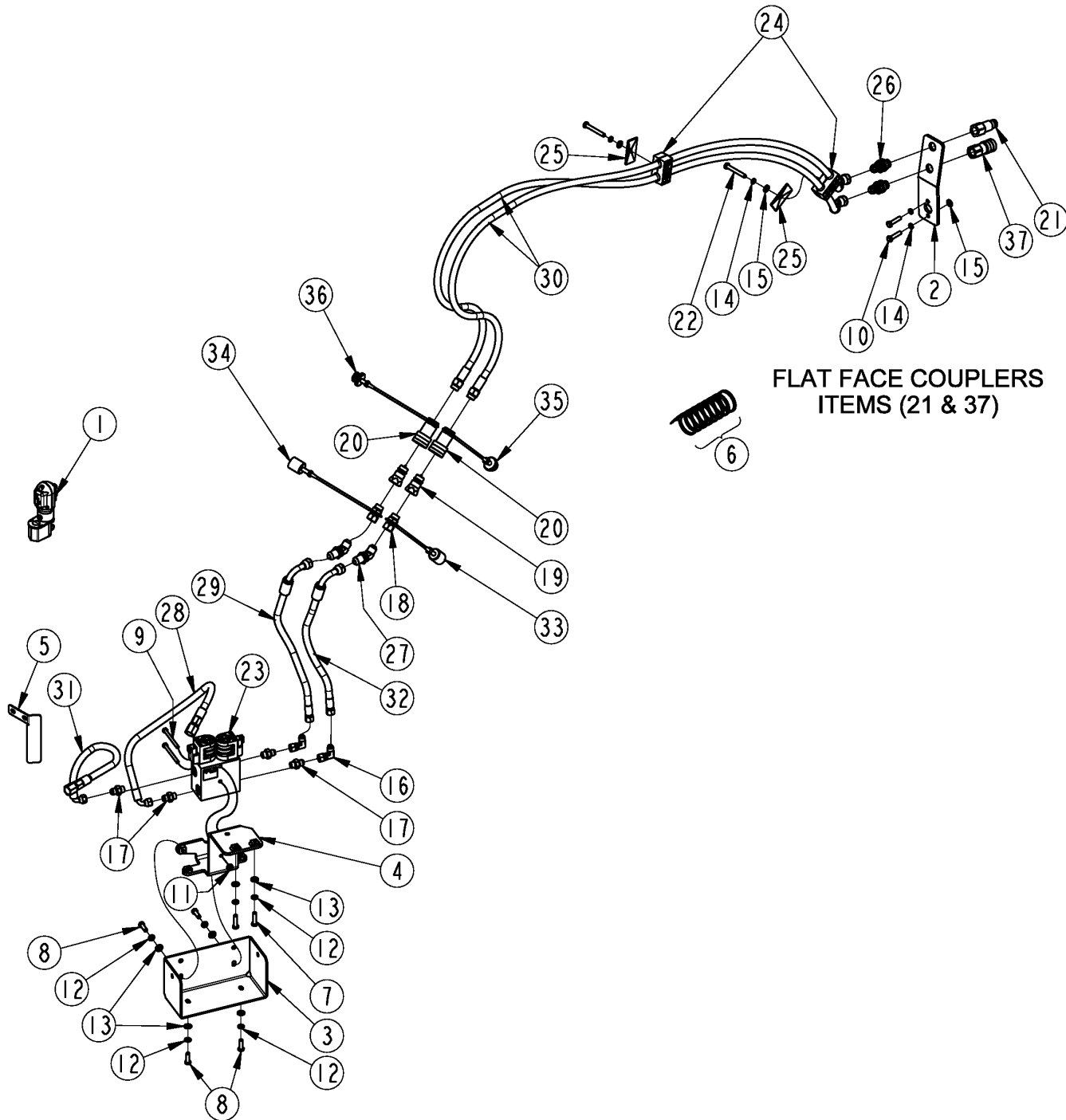
37632

Third Function Valve Kit 380-168A for Kubota B3350 B2650 & LA534 LA534A**Applies to STB1060, STB1072**

Ref	Part No.	Part Description	Comments	Revision
	Dwg 37632 380-168A	Image No. 3FVK PC B3350 *		
1.	380-165S	ASY, PUSH BUTTON CNTRL HNDL		
2.	380-256D	BRKT, VALVE MOUNT		
3.	380-257D	PLATE, BLKHD MOUNT		
4.	800-112C	CABLE TIE .19X7.25 1.75D 50LB		
5.	802-022C	HHCS 3/8-16X1 1/2 GR5		
6.	802-418C	HSHCS 1/4-20X7/8		
7.	803-209C	NUT FLANGE LOCK 3/8-16 PLT		
8.	804-012C	WASHER FLAT 3/8 SAE PLT		
9.	810-926C	VALVE, THIRD FUNCTION		
10.	811-040C	EL 45 3/4MJIC 3/4FJIC		
11.	811-133C	AD 9/16MJIC 3/4MORB		
12.	811-169C	EL 9/16MJIC 9/16FJIC		
13.	811-170C	AD 9/16MORB 9/16MJIC		
14.	811-253C	HH3/8R2 062 9/16FJIC		
15.	811-394C	CP 3/4FORB MALE QD POPPET TYPE		
16.	811-870C	CP 3/4FORB QD FEMALE (POPPET)		
17.	833-495C	FUSE, 10 AMP MINI BLADE		
18.	833-650C	BLADE FUSE HOLDER, MINI		
19.	841-563C	HH3/8R2 048 FJIC9/16FJIC9/16		
20.	851-084C	AD 9/16MORB 3/4MORB		
21.	851-344C	AD 3/4MJIC 3/4MORB BLKHD W/ LN		
22.	851-376C	HH3/8R2 086 3/4FJIC 3/4MORB		
23.	851-768C	EL 3/8MBSPP 9/16MJIC		
24.	861-539C	BLACK DUST CAP, 1/2" QD AG		
25.	861-540C	DUST PLUG, 1/2" QD AG		
26.	861-541C	GREEN DUST CAP, 1/2" QD AG		
27.	861-542C	BLACK DUST PLUG, 1/2" QD AG		
28.	850-472C	HYDRO-TEK VALVE REPLACEMENT	Replacement valve for 810-926C (valve only)	

Third Function Valve Kit 380-311A with Flat Face Couplers For Kubota MX5400 & MX6000 With Cab

Applies to STB1060, STB1072



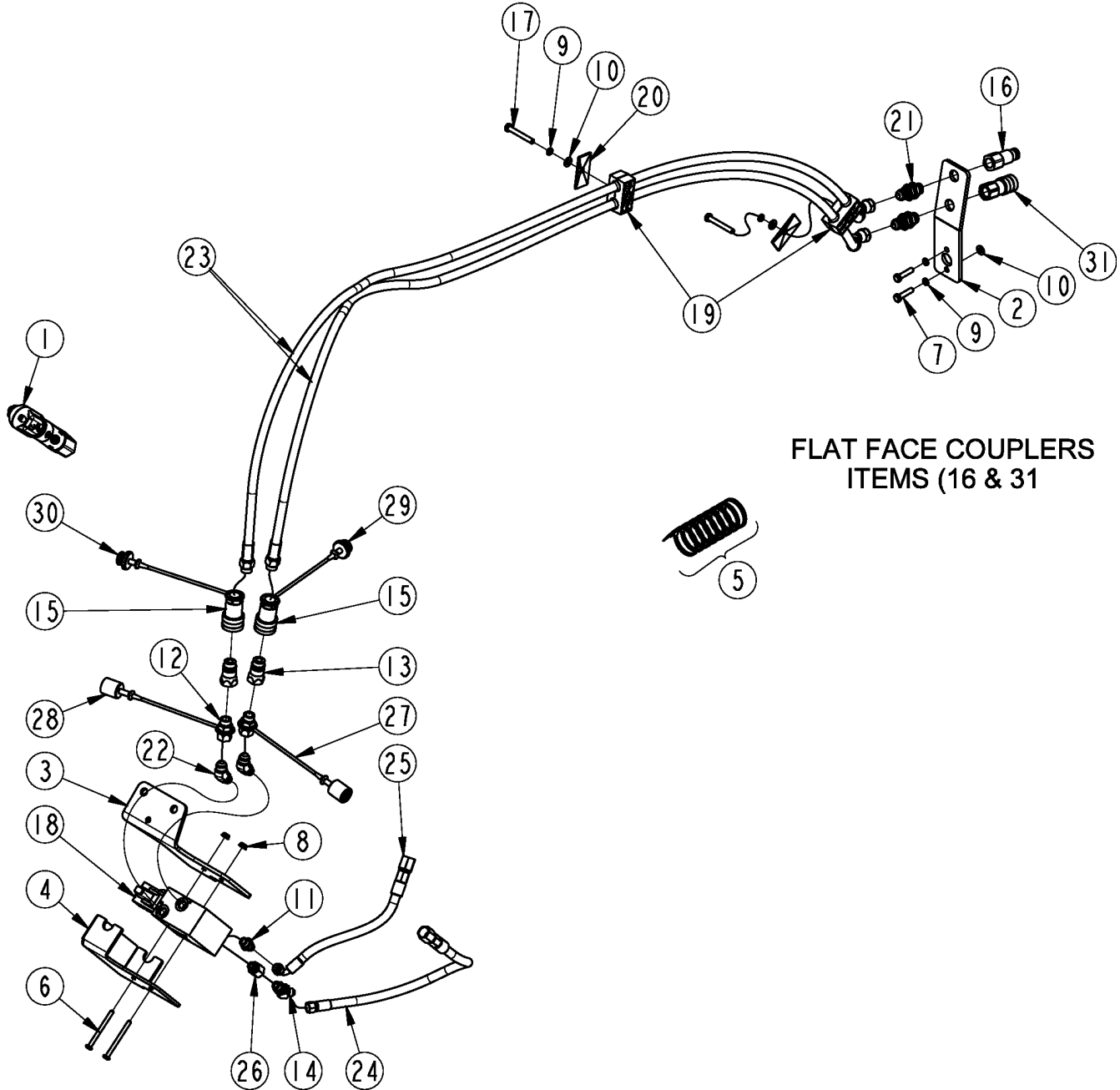
73107

Third Function Valve Kit 380-311A with Flat Face Couplers For Kubota MX5400 & MX6000 With Cab

Applies to STB1060, STB1072				
Ref	Part No.	Part Description	Comments	Revision
	Dwg 73107	Image No.		
	380-311A	3FVK FF MX6000 CAB		
		*		
1.	380-314S	ASY, PSH BUTTN CNTRL HNDL CAB		
2.	380-418D	PLATE, BULKHEAD MOUNT		
3.	380-419D	COVER PLATE, 3RD VALVE		
4.	380-310H	WMT, VALVE MNT BRKT		
5.	380-427D	COVER BRKT, WIRE HARNESS		
6.	800-112C	CABLE TIE .19X7.25 1.75D 50LB		
7.	802-010C	HHCS 5/16-18X1 1/4 GR5		
8.	802-159C	HHCS 5/16-18X1 GR5		
9.	802-274C	HHCS 1/4-20X3 GR5		
10.	802-967C	HHCS M8X1.25X35 GR8.8		
11.	803-194C	NUT HEX WHIZ 1/4-20 PLT		
12.	804-009C	WASHER LOCK SPRING 5/16 PLT		
13.	804-036C	WASHER FLAT 5/16 SAE PLT		
14.	804-157C	WASHER SPRING LOCK M8 PLT		
15.	804-161C	WASHER FLAT M8 PLT		
16.	811-169C	EL 9/16MJIC 9/16FJIC		
17.	811-170C	AD 9/16MORB 9/16MJIC		
18.	811-324C	AD 3/4MORB 3/4FJIC		
19.	811-394C	CP 3/4FORB MALE QD POPPET TYPE		
20.	811-870C	CP 3/4FORB QD FEMALE (POPPET)		
21.	841-099C	CP 3/4FORB QD FLATFACE		
22.	842-017C	HHCS M8X1.25X60 GR8.8		
23.	850-313C	VALVE, THIRD FUNCTION (DELTA)		
24.	851-241C	STAUFF CLAMP BODY 3D 0.79HOLE		
25.	851-245C	STAUFF COVER PLATE GROUP 3D		
26.	851-344C	AD 3/4MJIC 3/4MORB BLKHD W/ LN		
27.	851-481C	EL 3/4MJIC BLKHD 45 W/ LN		
28.	861-426C	HH3/8R2 022 9/16FJIC90 3/4FJIC		
29.	861-427C	HH3/8R2 017 9/16FJIC 3/4FJIC90		
30.	861-428C	HH3/8R2 090 3/4FJIC45 3/4MORB		
31.	861-462C	HH3/8R2 018 9/16FJIC90 3/4FJIC		
32.	861-471C	HH3/8R2 016 9/16FJIC 3/4FJIC90		
33.	861-539C	BLACK DUST CAP, 1/2" QD AG		
34.	861-540C	GREEN DUST CAP, 1/2" QD AG		
35.	861-541C	BLACK DUST PLUG, 1/2" QD AG		
36.	861-542C	GREEN DUST PLUG, 1/2" QD AG		
37.	861-543C	CP 3/4FORB QD FML FLATFACE		

Third Function Valve Kit 380-312A with Flat Face Couplers For Kubota MX5400 & MX6000 With ROPS

Applies to STB1060, STB1072



FLAT FACE COUPLERS
ITEMS (16 & 31)

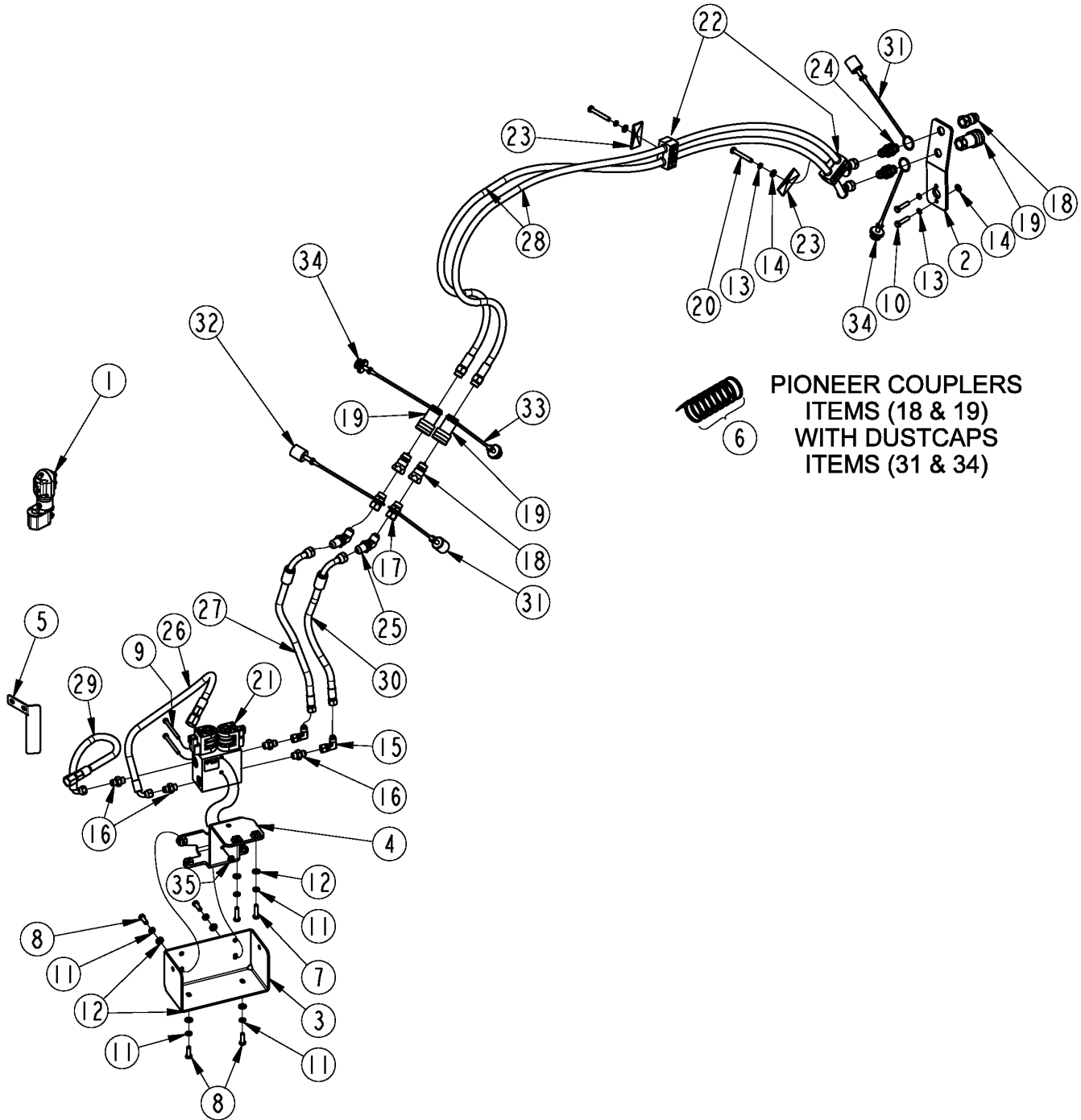
Third Function Valve Kit 380-312A with Flat Face Couplers For Kubota MX5400 & MX6000 With ROPS



Applies to STB1060, STB1072

Ref	Part No.	Part Description	Comments	Revision
	Dwg 73110	Image No.		
	380-312A	3FVK FF MX6000 ROPS *		
1.	380-324S	ASY, PSH BUTTN CNTRL HNDL ROPS		
2.	380-418D	PLATE, BULKHEAD MOUNT		
3.	380-421D	BRKT, VALVE MOUNT		
4.	380-422D	COVER, 3RD VALVE		
5.	800-112C	CABLE TIE .19X7.25 1.75D 50LB		
6.	802-274C	HHCS 1/4-20X3 GR5		
7.	802-967C	HHCS M8X1.25X35 GR8.8		
8.	803-194C	NUT HEX WHIZ 1/4-20 PLT		
9.	804-157C	WASHER SPRING LOCK M8 PLT		
10.	804-161C	WASHER FLAT M8 PLT		
11.	811-170C	AD 9/16MORB 9/16MJIC		
12.	811-324C	AD 3/4MORB 3/4FJIC		
13.	811-394C	CP 3/4FORB MALE QD POPPET TYPE		
14.	811-416C	EL 45 9/16MJIC 9/16MORB		
15.	811-870C	CP 3/4FORB QD FEMALE (POPPET)		
16.	841-099C	CP 3/4FORB QD FLATFACE		
17.	842-017C	HHCS M8X1.25X60 GR8.8		
18.	850-313C	VALVE, THIRD FUNCTION (DELTA)		
19.	851-241C	STAUFF CLAMP BODY 3D 0.79HOLE		
20.	851-245C	STAUFF COVER PLATE GROUP 3D		
21.	851-344C	AD 3/4MJIC 3/4MORB BLKHD W/ LN		
22.	851-647C	EL 45 9/16MORB 3/4MJIC		
23.	861-428C	HH3/8R2 3/4FJIC45 3/4MORB		
24.	861-430C	HH3/8R2 023 3/4FJIC 9/16FJIC		
25.	861-431C	HH3/8R2 013 3/4FJIC 9/16FJIC90		
26.	861-528C	AD 9/16MORB 9/16FORB		
27.	861-539C	BLACK DUST CAP, 1/2" QD AG		
28.	861-540C	GREEN DUST CAP, 1/2" QD AG		
29.	861-541C	BLACK DUST PLUG, 1/2" QD AG		
30.	861-542C	GREEN DUST PLUG, 1/2" QD AG		
31.	861-543C	CP 3/4FORB QD FML FLATFACE		

Third Function Valve Kit 380-330A with Pioneer Couplers For Kubota MX5400 & MX6000 With Cab

Applies to STB1060, STB1072



 PIONEER COUPLERS
ITEMS (18 & 19)
 WITH DUSTCAPS
ITEMS (31 & 34)

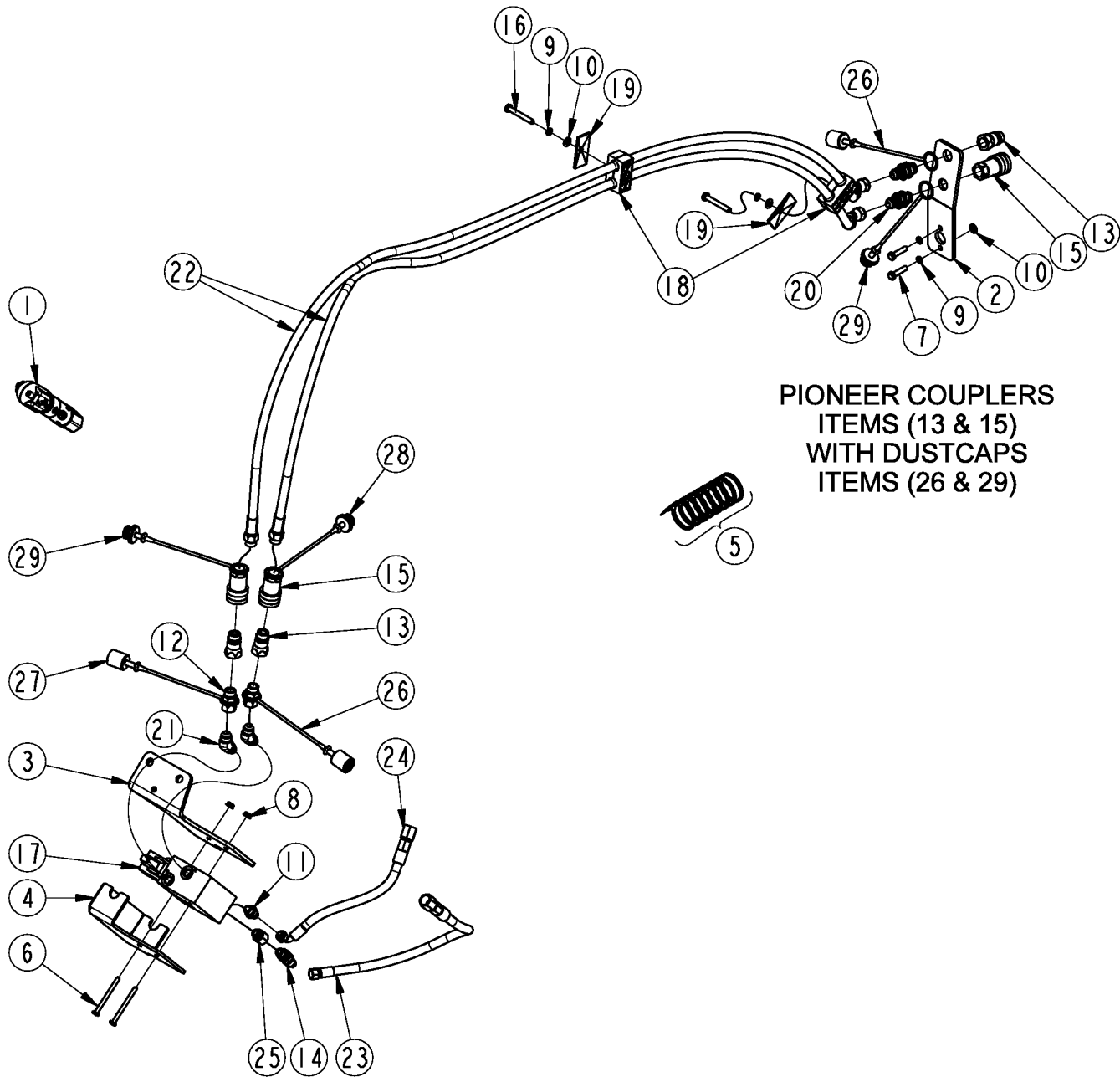
Third Function Valve Kit 380-330A with Pioneer Couplers For Kubota MX5400 & MX6000 With Cab

Applies to STB1060, STB1072

Part No.	Part Description	Comments	Revision
Dwg 73106	Image No.		
380-330A	3FVK PC MX6000 CAB *		
1.	380-314S	ASY, PSH BUTTN CNTRL HNDL CAB	
2.	380-418D	PLATE, BULKHEAD MOUNT	
3.	380-419D	COVER PLATE, 3RD VALVE	
4.	380-310H	WMT, VALVE MNT BRKT	
5.	380-427D	COVER BRKT, WIRE HARNESS	
6.	800-112C	CABLE TIE .19X7.25 1.75D 50LB	
7.	802-010C	HHCS 5/16-18X1 1/4 GR5	
8.	802-159C	HHCS 5/16-18X1 GR5	
9.	802-274C	HHCS 1/4-20X3 GR5	
10.	802-967C	HHCS M8X1.25X35 GR8.8	
11.	804-009C	WASHER LOCK SPRING 5/16 PLT	
12.	804-036C	WASHER FLAT 5/16 SAE PLT	
13.	804-157C	WASHER SPRING LOCK M8 PLT	
14.	804-161C	WASHER FLAT M8 PLT	
15.	811-169C	EL 9/16MJIC 9/16FJIC	
16.	811-170C	AD 9/16MORB 9/16MJIC	
17.	811-324C	AD 3/4MORB 3/4FJIC	
18.	811-394C	CP 3/4FORB MALE QD POPPET TYPE	
19.	811-870C	CP 3/4FORB QD FEMALE (POPPET)	
20.	842-017C	HHCS M8X1.25X60 GR8.8	
21.	850-313C	VALVE, THIRD FUNCTION (DELTA)	
22.	851-241C	STAUFF CLAMP BODY 3D 0.79HOLE	
23.	851-245C	STAUFF COVER PLATE GROUP 3D	
24.	851-344C	AD 3/4MJIC 3/4MORB BLKHD W/ LN	
25.	851-481C	EL 3/4MJIC BLKHD 45 W/ LN	
26.	861-426C	HH3/8R2 022 9/16FJIC90 3/4FJIC	
27.	861-427C	HH3/8R2 017 9/16FJIC 3/4FJIC90	
28.	861-428C	HH3/8R2 090 3/4FJIC45 3/4MORB	
29.	861-462C	HH3/8R2 018 9/16FJIC90 3/4FJIC	
30.	861-471C	HH3/8R2 016 9/16FJIC 3/4FJIC90	
31.	861-539C	BLACK DUST CAP, 1/2" QD AG	
32.	861-540C	GREEN DUST CAP, 1/2" QD AG	
33.	861-541C	BLACK DUST PLUG, 1/2" QD AG	
34.	861-542C	GREEN DUST PLUG, 1/2" QD AG	
35.	803-194c	NUT HEX WHIZ 1/4-20 PLT	

Third Function Valve Kit 380-331A with Pioneer Couplers For Kubota MX5400 & MX6000 With ROPS

Applies to STB1060, STB1072



**PIONEER COUPLERS
ITEMS (13 & 15)
WITH DUSTCAPS
ITEMS (26 & 29)**

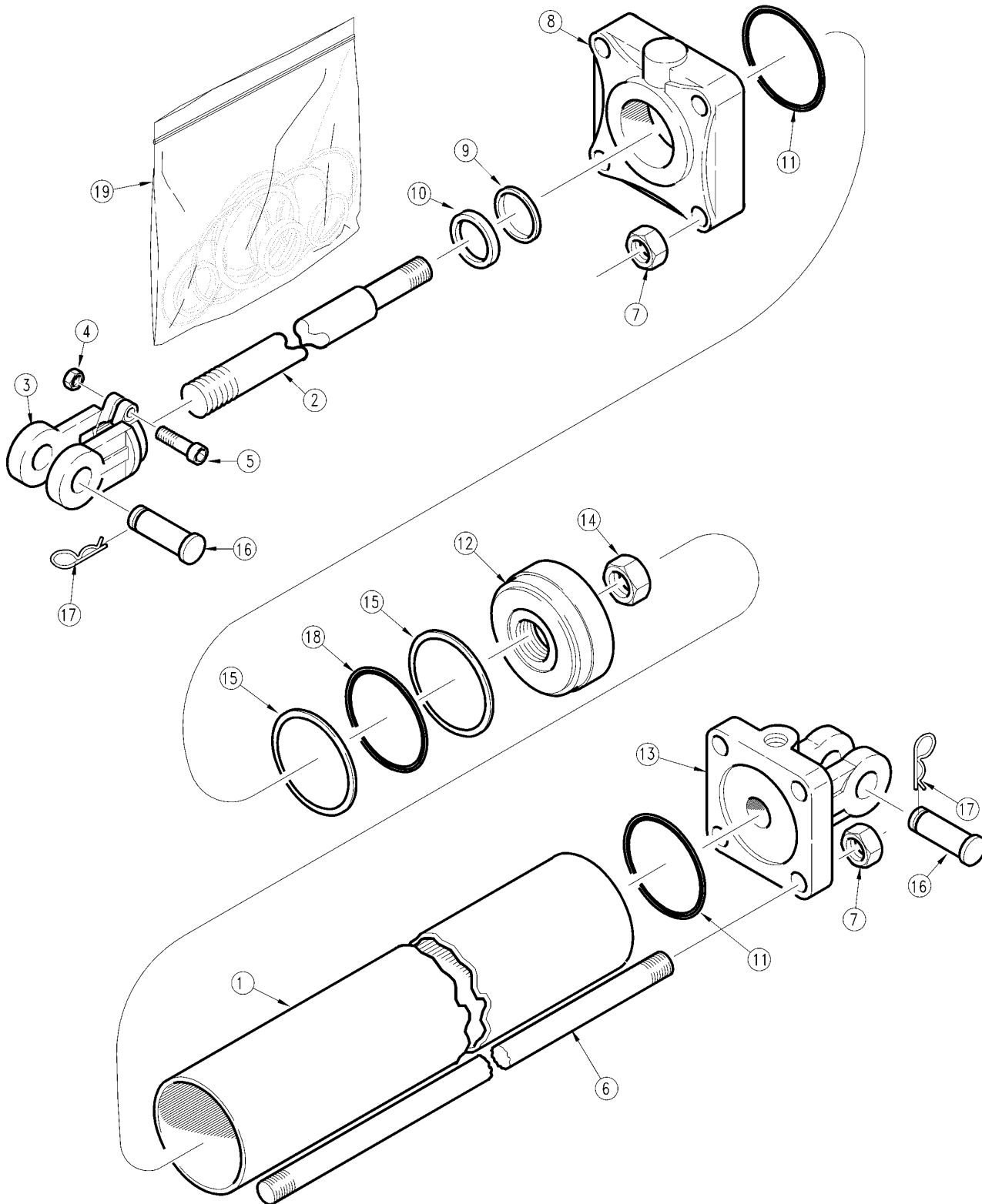
Third Function Valve Kit 380-331A with Pioneer Couplers For Kubota MX5400 & MX6000 With ROPS

Applies to STB1060, STB1072

Part No.	Part Description	Comments	Revision
Dwg 73109	Image No.		
380-331A	3FVK PC MX6000 ROPS *		
1. 380-324S	ASY, PSH BUTTN CNTRL HNDL ROPS		
2. 380-418D	PLATE, BULKHEAD MOUNT		
3. 380-421D	BRKT, VALVE MOUNT		
4. 380-422D	COVER, 3RD VALVE		
5. 800-112C	CABLE TIE .19X7.25 1.75D 50LB		
6. 802-274C	HHCS 1/4-20X3 GR5		
7. 802-967C	HHCS M8X1.25X35 GR8.8		
8. 803-194C	NUT HEX WHIZ 1/4-20 PLT		
9. 804-157C	WASHER SPRING LOCK M8 PLT		
10. 804-161C	WASHER FLAT M8 PLT		
11. 811-170C	AD 9/16MORB 9/16MJIC		
12. 811-324C	AD 3/4MORB 3/4FJIC		
13. 811-394C	CP 3/4FORB MALE QD POPPET TYPE		
14. 811-416C	EL 45 9/16MJIC 9/16MORB		
15. 811-870C	CP 3/4FORB QD FEMALE (POPPET)		
16. 842-017C	HHCS M8X1.25X60 GR8.8		
17. 850-313C	VALVE, THIRD FUNCTION (DELTA)		
18. 851-241C	STAUFF CLAMP BODY 3D 0.79HOLE		
19. 851-245C	STAUFF COVER PLATE GROUP 3D		
20. 851-344C	AD 3/4MJIC 3/4MORB BLKHD W/ LN		
21. 851-647C	EL 45 9/16MORB 3/4MJIC		
22. 861-428C	HH3/8R2 090 3/4FJIC45 3/4MORB		
23. 861-430C	HH3/8R2 023 3/4FJIC 9/16FJIC		
24. 861-431C	HH3/8R2 013 3/4FJIC 9/16FJIC90		
25. 861-528C	AD 9/16MORB 9/16FORB		
26. 861-539C	BLACK DUST CAP, 1/2" QD AG		
27. 861-540C	GREEN DUST CAP, 1/2" QD AG		
28. 861-541C	BLACK DUST PLUG, 1/2" QD AG		
29. 861-542C	GREEN DUST PLUG, 1/2" QD AG		

Hydraulic Cylinder (810-601C) Midway

Applies to STB1060



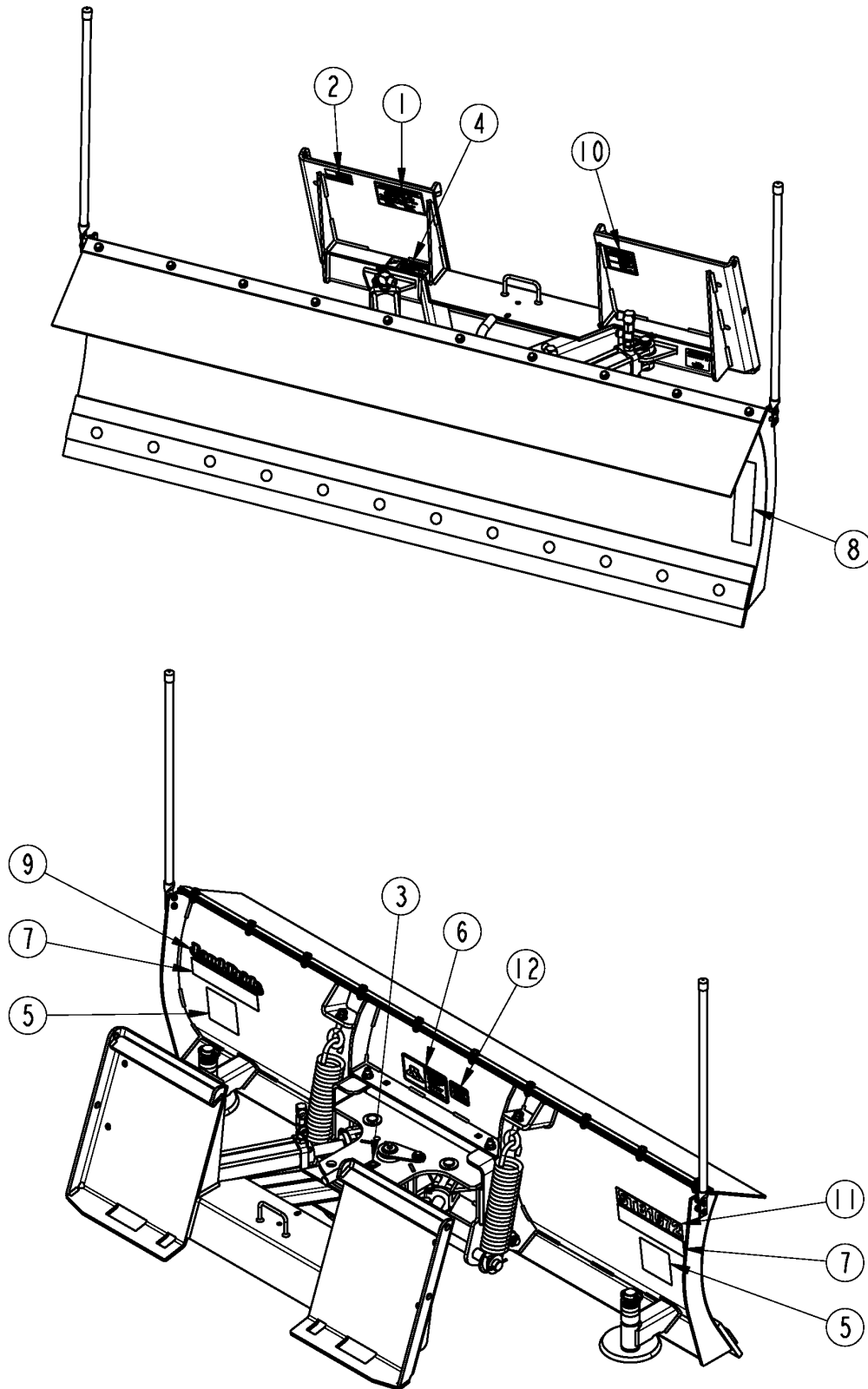
24812

Hydraulic Cylinder (810-601C) Midway**Applies to STB1060**

Ref	Part No.	Part Description	Comments	Revision
	Dwg 24812	Drawing Image Number		
	810-601C	CYL 2X6X1.125 ROD (TIE ROD) *		
1.	5M2114	MIDWAY TUBE		
2.	2M2312	MIDWAY ROD		
3.	1M6006-ADI	MIDWAY HARDENED CLEVIS ADI		
4.	803-234C	NUT HEX 3/8-16 PLAIN		
5.	802-023C	HHCS 3/8-16X1 3/4 GR5		
6.	7M2314	MIDWAY TIE ROD		
7.	803-234C	NUT HEX 3/8-16 PLAIN		
8.	3R0124	MW HEAD		
9.	N/A	*	Only in seat kit #19	
10.	N/A	*	Only in seat kit #19	
11.	N/A	*	Only in seat kit #19	
12.	4M2108	MW PISTON		
13.	6R0062	MIDWAY BASE		
14.	803-114C	NUT LOCK 3/4-16 NYLOC COLLAR		
15.	N/A	*	Only in seat kit #19	
16.	805-004C	PIN CLEVIS 1 X 2 3/4 USABLE LG		
17.	805-088C	PIN, HAIR COTTER 3/16 WIRE DIA		
18.	N/A	*	Only in seat kit #19	
19.	810-310C	SEAL KIT MW 5A2104		

Decals

Applies to STB1060, STB1072



39405

Decals**Applies to STB1060, STB1072**

Ref	Part No.	Part Description	Comments	Revision
	Dwg 39405	Image No.		
1.	818-045C	DECAL WARNING PINCH PT/CRUSH		
2.	N/A	DISCONTINUED DECAL		
3.	818-298C	DECAL GREASE 25HRS BLACK/WHITE		
4.	838-102C	DECAL WARNING FALLING HAZZARD		
5.	838-112C	DECAL DANGER PINCHING		
6.	838-293C	DECAL WARNING READ MANUAL		
7.	838-614C	DECAL REFLECTOR RED 2X9		
8.	838-615C	DECAL REFLECTOR AMBER 2X9		
9.	848-159C	DECAL LANDPRIDE 10" BROWN/GOLD		
10.	848-747C	DECAL HIGH PRESSURE FLUIDS		
11.	858-174C	DECAL, STB1060	STB1060	
11.	858-175C	DECAL, STB1072	STB1072	
12.	858-692C	DECAL NOT INTENDED FOR SSL		

Touch-up Paints - LP

Applies to STB1060, STB1072

No diagram associated with this Parts List

Touch-up Paints - LP**Applies to STB1060, STB1072**

Ref	Part No.	Part Description	Comments	Revision
1.	821-011C	LP BEIGE SPRAY CAN	Spray can	
1.	821-011CTU	LP BEIGE TOUCH-UP 5OZ	Touch-up bottle with brush	
1.	821-011CQT	LP BEIGE QUART	Quart can	
1.	821-011CGL	LP BEIGE GALLON	Gallon can	
2.	821-070C	GLOSS BLACK SPRAY CAN	Spray can	
2.	821-070CTU	GLOSS BLACK TOUCH-UP 5OZ	Touch-up bottle with brush	
2.	821-070CQT	GLOSS BLACK QUART	Quart can	
2.	821-070CGL	GLOSS BLACK GALLON	Gallon can	
3.	821-054C	MED. RED SPRAY TRCK/CTR	Spray can	
3.	821-054CTU	MED RED TOUCH-UP 5OZ	Touch-up bottle with brush	
3.	821-054CQT	MED RED QUART	Quart can	
3.	821-054CGL	MED RED GALLON	Gallon can	
4.	821-058C	GREEN SPRAY CUTTERS	Spray can	
4.	821-058CTU	GREEN TOUCH-UP 5OZ	Touch-up bottle with brush	
4.	821-058CQT	GREEN QUART	Quart can	
4.	821-058CGL	GREEN GALLON	Gallon can	
5.	821-066C	ORANGE SPRAY CAN	Spray can	
5.	821-066CTU	ORANGE TOUCH-UP 5OZ	Touch-up bottle with brush	
5.	821-066CQT	ORANGE QUART	Quart can	
5.	821-066CGL	ORANGE GALLON	Gallon can	
6.	821-067C	BLUE SPRAY CAN	Spray can	
6.	821-067CTU	BLUE TOUCH-UP 5OZ	Touch-up bottle with brush	
6.	821-067CQT	BLUE QUART	Quart can	
6.	821-067CGL	BLUE GALLON	Gallon can	
7.	821-080C	PAINT ALUMINUM/ZINC SPRAY CAN	Spray can	
7.	821-080CTU	PAINT ALUMINUM/ZINC TOUCH UP	Touch-up bottle with brush	
7.	821-080CQT	PAINT ALUMINUM/ZINC QUART	Quart can	
7.	821-080CGL	PAINT ALUMINUM/ZINC GALLON	Gallon can	



Part Number Index

The Part Number Index is a numeric index of all part numbers included in this manual. The index shows what page(s) the part is used on.

Part Number	Page	Part Number	Page	Part Number	Page	Part Number	Page
*	13, 17, 19, 25, 27, 29, 31, 33, 35, 37, 39, 41, 43, 45, 47, 49	800-112C	35, 37, 39, 41, 43, 45, 47	811-063C	13, 15, 19	841-099C	41, 43
1M6006-ADI	49	801-091C	25	811-073C	15, 21	841-331C	37
2M2312	49	801-204C	25	811-088C	13, 15, 17, 19, 21, 23	841-466C	23, 31, 35
301-465H	9	801-250C	25	811-114C	15, 17	841-467C	35
301-479A	11	802-005C	35	811-133C	33, 35, 39	841-563C	33, 35, 39
301-480A	11	802-010C	41, 45	811-150C	15, 21	842-017C	41, 43, 45, 47
301-483A	27	802-022C	39	811-153C	13, 15, 19, 21	842-216C	33
301-484A	27	802-023C	49	811-169C	33, 35, 37, 39, 41, 45	843-178C	25
301-487A	11	802-064C	7	811-170C	33, 37, 39, 41, 43, 45, 47	848-159C	51
301-488A	11	802-082C	7	811-253C	33, 35, 39	848-747C	15, 17, 21, 51
301-492A	17	802-106C	7	811-324C	41, 43, 45, 47	850-313C	41, 43, 45, 47
301-495H	9	802-114C	13, 15	811-394C	23, 33, 37, 39, 41, 43, 45, 47	850-472C	33, 35, 37, 39
301-496H	9	802-159C	9, 41, 45	811-416C	35, 43, 47	851-084C	33, 37, 39
301-506A	23	802-230C	35	811-584C	23	851-087C	33
301-507A	23	802-274C	41, 43, 45, 47	811-636C	35	851-088C	33
301-508A	23	802-314C	37	811-701C	37	851-241C	41, 43, 45, 47
301-509A	23	802-331C	11	811-778C	13, 15	851-245C	41, 43, 45, 47
301-514H	7	802-354C	11	811-870C	23, 29, 33, 37, 39, 41, 43, 45, 47	851-276C	35
301-515H	7	802-388C	27	816-809C	27	851-279C	15
301-530A	19	802-418C	33, 35, 37, 39	816-810C	27	851-280C	15
301-534A	13	802-655C	9	818-045C	51	851-283C	23
301-565A	29	802-967C	37, 41, 43, 45, 47	818-298C	51	851-284C	15, 21
301-566A	31	803-008C	25	821-011C	53	851-344C	33, 37, 39, 41, 43, 45, 47
301-570D	27	803-014C	13, 15	821-011CGL	53	851-349C	35, 37
301-571D	27	803-026C	7	821-011CQCT	53	851-350C	35
301-574D	11	803-036C	9	821-011CQT	53	851-376C	37, 39
301-575D	11	803-037C	7, 11	821-011CTU	53	851-481C	41, 45
310-251D	9	803-084C	9	821-054C	53	851-490C	37
310-252D	9	803-112C	33, 35	821-054CGL	53	851-647C	43, 47
310-359D	9	803-114C	49	821-054CQCT	53	851-768C	35, 39
330-616H	7	803-169C	7	821-054CTU	53	851-975C	29
332-029D	9	803-194C	35, 41, 43, 47	821-058C	53	851-976C	35
380-093A	33	803-194c	45	821-058CGL	53	851-977C	31, 35
380-149A	35	803-198C	33, 35, 37	821-067C	53	858-174C	51
380-152A	37	803-209C	27, 39	821-067CGL	53	858-175C	51
380-164D	33, 37	803-234C	49	821-067CQCT	53	858-692C	51
380-165D	33, 35	803-269C	25	821-067CTU	53	861-075C	31
380-165S	33, 35, 37, 39	803-381C	7	821-070C	53	861-076C	29
380-168A	39	804-009C	41, 45	821-070CGL	53	861-345C	13, 19
380-223D	35	804-012C	13, 15, 39	821-070CQCT	53	861-346C	13
380-230D	35	804-013C	13, 15	821-070CTU	53	861-347C	13, 19
380-231D	35	804-016C	7, 9	821-080C	53	861-348C	13, 19
380-232D	35	804-024C	33, 35	821-080CGL	53	861-426C	41, 45
380-233D	35	804-025C	7	821-080CQCT	53	861-427C	41, 45
380-234D	37	804-029C	7	821-080CTU	53	861-428C	41, 43, 45, 47
380-255D	37	804-036C	41, 45	833-495C	33, 35, 37, 39	861-430C	43, 47
380-256D	39	804-054C	25	833-650C	33, 35, 37, 39	861-431C	43, 47
380-257D	39	804-157C	37, 41, 43, 45, 47	837-739C	25	861-462C	41, 45
380-310H	41, 45	804-161C	37, 41, 43, 45, 47	837-023C	11	861-471C	41, 45
380-311A	41	805-004C	13, 15, 17, 19, 21, 49	837-024C	11	861-528C	43, 47
380-312A	43	805-015C	9	837-053C	25	861-539C	33, 37, 39, 41, 43, 45, 47
380-313H	25	805-017C	7	837-054C	25	861-540C	33, 37, 39, 41, 43, 45, 47
380-314S	25, 41, 45	805-041C	7	837-365C	25	861-541C	33, 37, 39, 41, 43, 45, 47
380-324S	43, 47	805-058C	7, 13, 15, 17, 19, 21	838-102C	51	861-542C	33, 37, 39, 41, 43, 45, 47
380-330A	45	805-088C	13, 15, 17, 19, 21, 49	838-112C	51	861-543C	41, 43
380-331A	47	805-158C	9	838-123C	9	891-123C	9
380-418D	41, 43, 45, 47	805-219C	13, 15, 17, 19, 21	891-177C	7	891-439C	11
380-419D	41, 45	805-516C	7	891-440C	11	891-595C	7
380-421D	43, 47	806-261C	33, 35, 37	99362A300	25	Dwg 24812	49
380-422D	43, 47	807-342C	7	Dwg 37013	33	Dwg 37198	37
380-427D	41, 45	810-310C	49	Dwg 37426	35		
3R0124	49	810-385C	13, 15				
4M2108	49	810-601C	13, 15, 17, 19, 21, 49				
5M2114	49	810-926C	33, 35, 37, 39				
6R0062	49	811-040C	39				
7M2314	49						
800-073C	7						



Part Number Index (continued)

<u>Part Number</u>	<u>Page</u>
Dwg 37632	39
Dwg 39394	27
Dwg 39395	11
Dwg 39396	17
Dwg 39397	15
Dwg 39398	21
Dwg 39403	9
Dwg 39404	7
Dwg 39405	51
Dwg 39736	23
Dwg 39946	29
Dwg 39947	31
Dwg 70970	19
Dwg 70971	13
Dwg 73106	45
Dwg 73107	41
Dwg 73109	47
Dwg 73110	43
Dwg 73114	25
N/A	49, 51



Great Plains Manufacturing, Inc.

Corporate Office: P.O. Box 5060
Salina, Kansas 67402-5060 USA

www.landpride.com
