

Hydraulic Angling Kit For Rear Blades & Landscape Rakes



For RB16, LR16, RB26, & LR26 Series (S/N 985649-)

Manual No. 301-428M

Before You Start



When you see this symbol, the subsequent instructions and warnings are serious - follow without exception. Your life and the lives of others depend on it!

IMPORTANT: Before you begin, read these instructions and check to be sure all parts and tools are accounted for. Please retain these installation instructions for future reference and parts ordering information.

IMPORTANT: This Hydraulic Angling Kit will not fit on RB16 & LR16 Series with S/N's 711725 and below or on Rear Blades and Landscape Rakes that do not have a hex drive pivot shaft for angling the blade or rake.

Land Pride and dealers are seeing more tractors in the 20 to 60 horsepower range with hydraulic outlets on the back of the tractor. With the hydraulic option already on the tractor, both dealers and end users have been requesting a Hydraulic Angling Kit. Land Pride has responded with the availability of a Hydraulic Angling Kit 301-425A for the RB16 Series Rear Blade and LR16 Series Landscape rakes. Use 301-426A with the RB26 Series Rear Blade and LR26 Series Landscape Rakes.

Since the RB16 & LR16 were originally designed without the Hydraulic Angling Kit in mind, you may need to slightly modify the back corners of the main frame if your serial number is between 711726 to 756707 inclusive. Rear Blades and Landscape Rakes with Serial Numbers listed below will fit without modification to the mainframe:

RB16 & LR16 Series 756708 to 985649
RB26 & LR26 Series 985649-

Manual Instructions

Please read these installation instructions and your Rear Blade Operator's Manual thoroughly before beginning. Especially read information relating to safety concerns. Also included in the Operator's Manual is important information on operation, adjustment, troubleshooting, and maintenance for this attachment (some manual sections do not apply to all accessories).

A separate Parts Manual for replacement parts can be purchased from your nearest Land Pride dealer or downloaded, free-of-charge, from our web site at www.landpride.com. Have model and serial numbers handy when placing an order.

Manual Part Numbers:

- RB16 & RB26 Parts Manual 301-375M
- LR16 & LR26 Parts Manual 301-375P
- RB16 & RB26 Operator's Manual 301-375M
- LR16 & LR26 Operator's Manual 302-305M

General Information

The Hydraulic Angling Kits are exclusively designed for Land Pride models RB1660, RB1672, RB1684, RB2672, RB2684, & RB2696. They can be easily attached to make controlling the blade or rake angle easy with the tractor's hydraulic control lever. Before ordering this Kit, make sure this Hydraulic Angling Kit will fit on your machine. See "Before You Start" on this page to verify if your Hydraulic Angling Kit will fit.

Kit Bundle

- 301-425A KIT, RB16 HYDRAULIC ANGLE
301-426A KIT, RB26 HYDRAULIC ANGLE

Detailed Parts Listing

A detailed listing of parts is provided on pages:
RB16 & LR16 Series, Kit No. 301-425A: See page 4
RB26 & LR26 Series, Kit No. 301-426A: See page 5

Use the list that is for your Rear Blade or Landscape Rake as a checklist to inventory parts received. Please contact your local Land Pride dealer for any missing hardware.

Further Assistance

Further Assistance

Your Land Pride dealer wants you to be satisfied with your Hydraulic Angling Kit. If for any reason you do not understand any part of this manual or are not satisfied with the service, the following actions are suggested:

1. Discuss any problems you have with your implement with your dealership service personnel so they can address the problem.
2. If you are still not satisfied, seek out the owner or general manager of the dealership, explain the question/problem, and request assistance.
3. For further assistance write to:

Land Pride Service Department
1525 East North Street
P.O. Box 5060
Salina, Ks. 67402-5060

E-mail address
lp servicedept@landpride.com

Hydraulic Angling Kit

Refer to Figure 1 on page 3:

DANGER

Do not remove lock nut (#3A) securing pivot cap (#4) without supporting underside of blade or rake. The blade or rake will fall if not supported and can cause serious injury or death.

1. Support rear blade or Landscape Rake by lowering unit to the ground. If unhooked from a tractor, make sure parking stand is rotated down and secured.
2. With blade supported, unscrew pivot cap lock nut (#3A). Remove pivot cap (#4) and hex drive pivot cap (#8). Keep lock nut and pivot cap for reuse. Store hex drive pivot cap (#8). It can be used to assist in reversing the blade for backfilling.

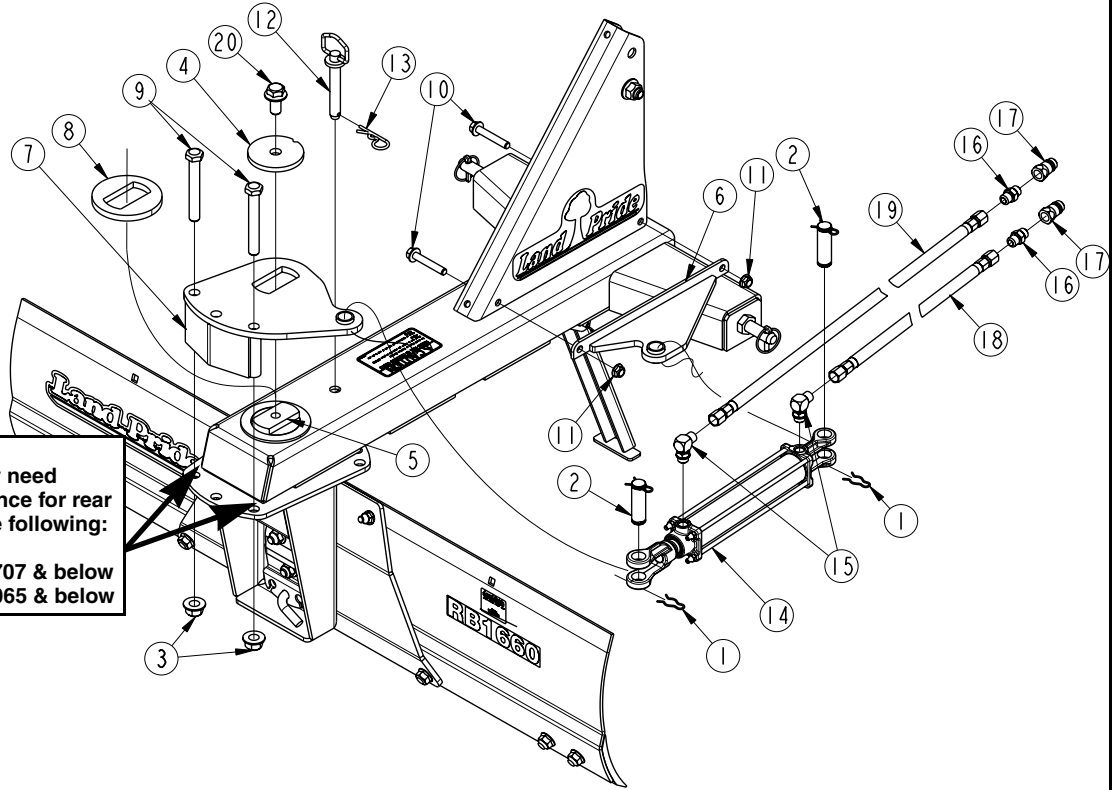
NOTE: The back bottom 2 corners of the main frame may require grinding to provide clearance for rear cylinder mount (#7) to pivot.

3. Attach hex drive rear cylinder mount (#7) to hex blade drive (#5) with pivot cap (#4), 3/4"-10 x 5 1/2" bolts (#9), and hex flange top lock nuts (#3A & #3B). Screw lock nut (#3A) on until vertical play is removed (Do not tighten). Tighten lock nuts (#3B) to the correct torque.
4. Remove hairpin cotter (#13) and hitch pin (#12). Remove lock nuts (#11) and bolts (#10). Store removed hardware with hex drive pivot cap (#8).
5. Attach front cylinder mount (#6) with 1/2"-13 x 3 1/2" GR5 cap screws (#10) and new hex flange top lock nuts (#11). Tighten lock nuts to the correct torque.
6. Attach adapter fittings (#16) to one end of hydraulic hoses (#18 & #19) and tighten.
7. Quick disconnect couplings (#17) (Land Pride Part No. 811-394C) are not include in Kit and must be purchased separately. Attach quick disconnect couplings (#17) to adapter fittings (#16) and tighten.
8. Position hydraulic cylinder (#14) with ports on top and cylinder base to the front as shown. Screw 90° elbows (#15) into the cylinder ports and tighten facing forward as shown.
9. Attach short hydraulic hose (#18) to elbow (#15) at the cylinder base and tighten.
10. Attach long hydraulic hose (#19) to elbow (#15) at the cylinder rod end and tighten.

IMPORTANT: Attach cylinder base to the front mounting lug. The base will interfere with the main frame if attached to the blade pivot mounting lug.

11. Attach base of hydraulic cylinder (#14) to the front cylinder mount (#6) with clevis pin (#2) and hairpin cotters (#1). Make sure hydraulic ports are positioned on top and cylinder base is positioned to the front as shown.
12. Attach rod end of hydraulic cylinder (#14) to rear cylinder mount (#7) with clevis pin (#2) and hairpin cotters (#1).

33346



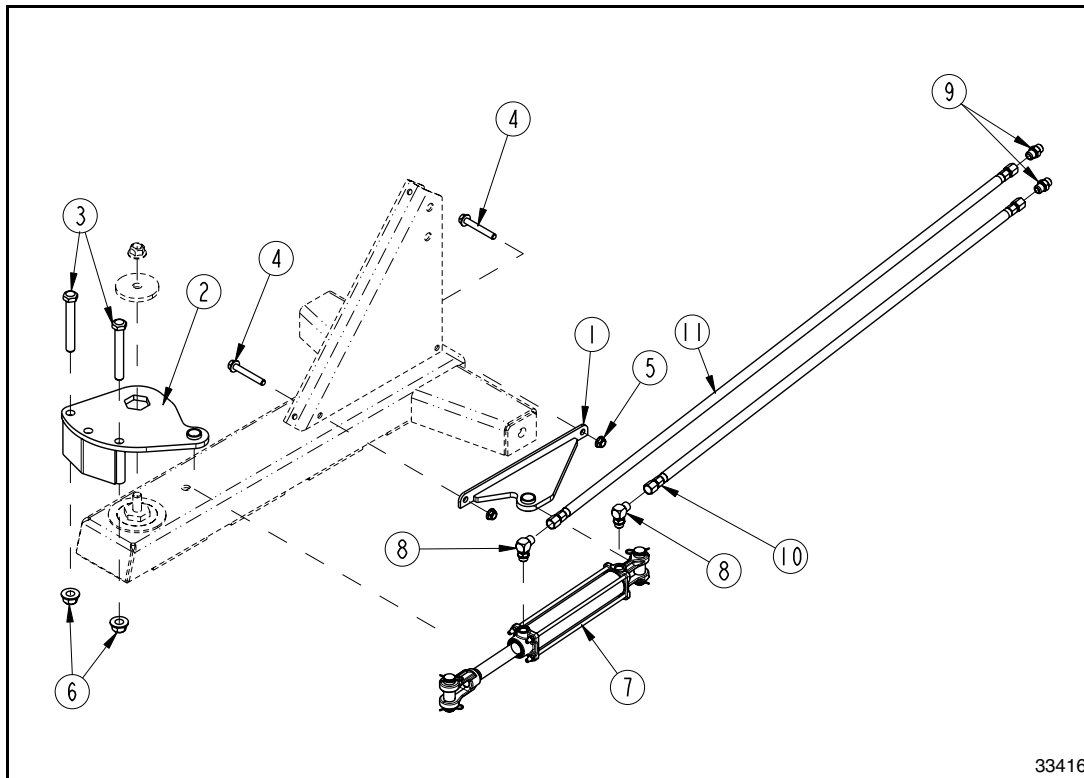
Note:
 These 2 back corners may need grinding to provide clearance for rear cylinder mount (#7) on the following:
 RB16 Series with S/N 756707 & below
 RB26 Series with S/N 758065 & below

Hydraulic Rear Blade & Landscape Rake Angling Accessory (RB16 Series Shown)
 Figure 1

Kit No. 301-425A

KIT, RB16 HYDRAULIC ANGLE

Item	Part No.	Part Description	Qty.
Refer to Refer to Figure 2:			
1	301-402H	WLDMNT, RB16 FRNT CYL MOUNT	1
2	301-424H	WLDMNT. RB16/26 HYD ANG PLATE	1
3	802-594C	HHCS 3/4-10X5 1/2 GR5	2
4	802-658C	HFS 1/2-13 X 3 1/2 GR5 PLT	2
5	803-169C	NUT HEX FLG LOCK 1/2-13 PLT	2
6	803-299C	NUT HEX FLG TOP LK 3/4-10 PLT.	2
7	810-746C	CYL 2X10X1.12 ROD (TIE)	1
8	811-063C	EL 3/4MJIC 3/4MORB	2
9	811-088C	AD 3/4MORB 3/4MJIC	2
10	841-590C	HH3/8R2 054 3/4FJIC E-Z FLEX	1
11	841-591C	HH3/8R2 067 3/4FJIC E-Z FLEX	1



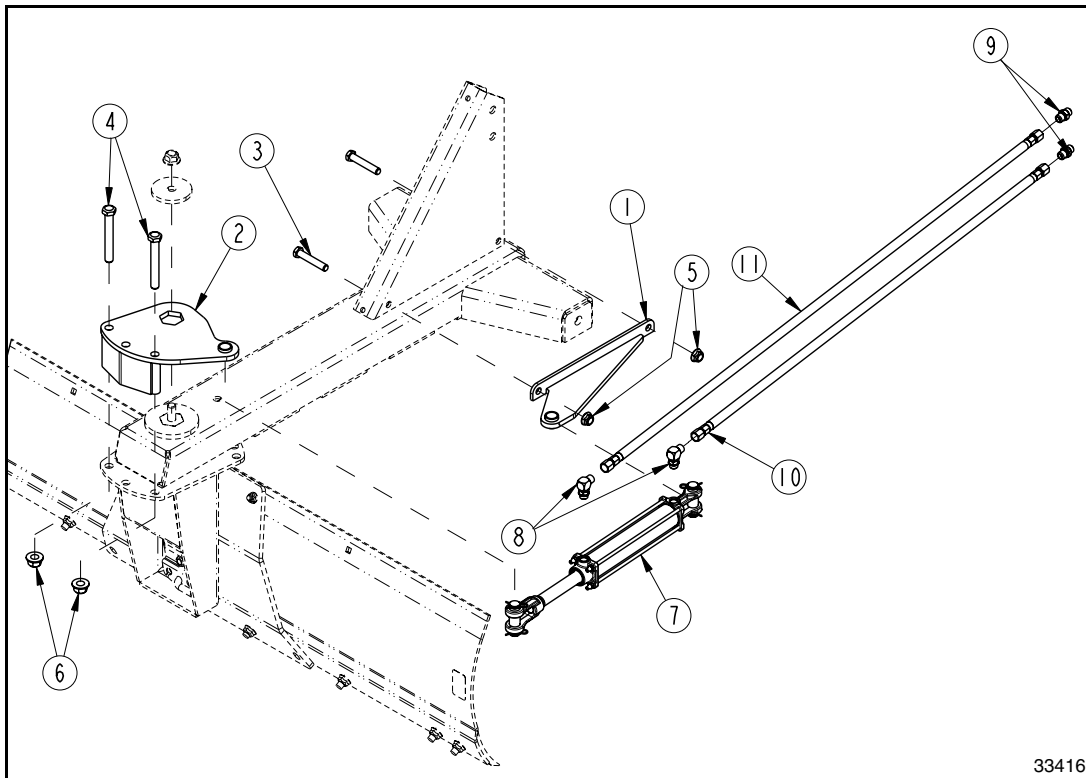
33416

**RB16 Hydraulic Angle Kit 301-425A
Figure 2**

Kit No. 301-426A

KIT, RB26 HYDRAULIC ANGLE

Item	Part No.	Part Description	Qty.
Refer to Refer to Figure 3:			
1	301-403H	WLDMNT, RB26 FRNT CYL MOUNT.....	1
2	301-424H	WLDMNT. RB16/26 HYD ANG PLATE.....	1
3	802-162C	HHCS 5/8-11X3 1/2 GR5.....	2
4	802-594C	HHCS 3/4-10X5 1/2 GR5.....	2
5	803-263C	NUT HEX FLANGE LOCK 5/8-11 PLT.....	2
6	803-299C	NUT HEX FLG TOP LK 3/4-10 PLT.....	2
7	810-746C	CYL 2X10X1.12 ROD (TIE).....	1
8	811-063C	EL 3/4MJIC 3/4MORB.....	2
9	811-088C	AD 3/4MORB 3/4MJIC.....	2
10	841-590C	HH3/8R2 054 3/4FJIC E-Z FLEX.....	1
11	841-591C	HH3/8R2 067 3/4FJIC E-Z FLEX.....	1



RB26 Hydraulic Angle Kit 301-426A
Figure 3

33416



Corporate Office: P.O. Box 5060
Salina, Kansas 67402-5060 USA
www.landpride.com
