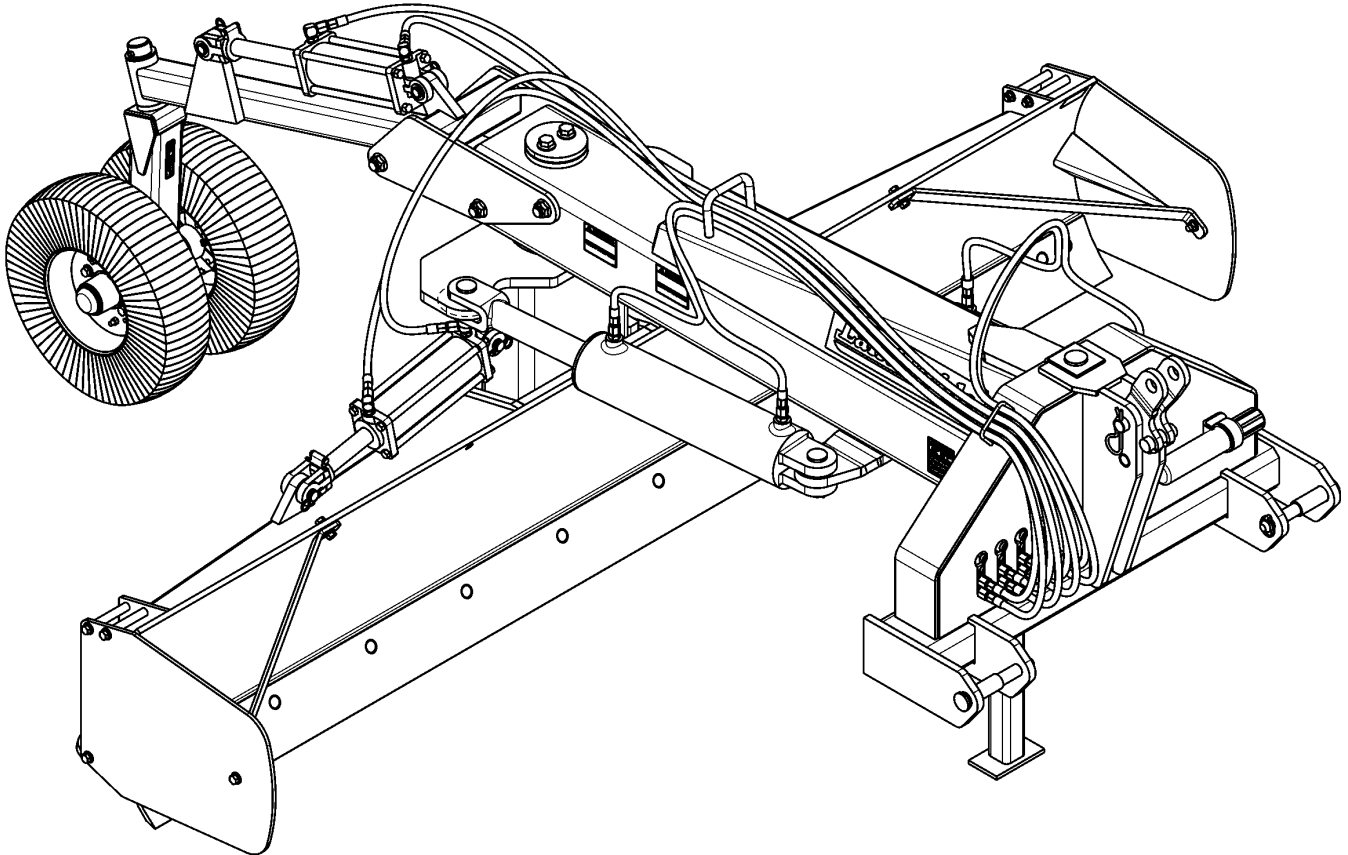


Rear Blades

RBT6010 & RBT6012



27861

301-360P Parts Manual



Read the Operator's Manual entirely. When you see this symbol, the subsequent instructions and warnings are serious - follow without exception. Your life and the lives of others depend on it!

© Copyright 2018 Printed 07/09/18

Cover photo may show optional equipment not supplied with standard unit.





Table of Contents

Section 1: Introduction.....	4
Using This Manual.....	4
Manual Replacement Information.....	4
Manual Revisions.....	4
Touch-up Paint.....	4
Hardware Legend.....	5
Replacement Hardware.....	5
Serial Numbers.....	5
Part Number Service Coding.....	5
Section 2: Frames.....	6
Blade.....	6
Frame & Hitch.....	8
Section 3: Hydraulics.....	10
Hydraulic Angle Plumbing Components.....	10
Hydraulic Cylinder (810-684C) Red Lion.....	12
Hydraulic Cylinder (810-685C) Red Lion.....	14
Hydraulic Offset Plumbing Components.....	16
Hydraulic Tilt Plumbing Components.....	18
Section 4: Decals.....	20
Decal Placement.....	20
Land Pride Touch-up Paints.....	22
Section 5: Options & Accessories.....	24
Gauge Wheel Dual Hydraulic.....	24
Side Plates.....	26
Skid Shoes New Style.....	28
Skid Shoes Old Style.....	30
Part Number Index.....	32

© Copyright 2018. All rights reserved.

Land Pride provides this publication “as is” without warranty of any kind, either expressed or implied. While every precaution has been taken in the preparation of this manual, Land Pride assumes no responsibility for errors or omissions. Neither is any liability assumed for damages resulting from the use of the information contained herein. Land Pride reserves the right to revise and improve its products as it sees fit. This publication describes the state of this product at the time of its publication, and may not reflect the product in the future. The illustrations in this manual are not intended for safe and proper assembly or disassembly of equipment. The illustrations are intended for ordering parts only.

Land Pride is registered trademark.

All other brands and product names are trademarks or registered trademarks of their respective holders.

Printed in the United States of America.



Alphabetized Table of Contents

B	
Blade.....	6
D	
Decal Placement.....	20
F	
Frame & Hitch.....	8
G	
Gauge Wheel Dual Hydraulic.....	24
H	
Hydraulic Angle Plumbing Components.....	10
Hydraulic Cylinder (810-684C) Red Lion.....	12
Hydraulic Cylinder (810-685C) Red Lion.....	14
Hydraulic Offset Plumbing Components.....	16
Hydraulic Tilt Plumbing Components.....	18
L	
Land Pride Touch-up Paints.....	22
S	
Side Plates.....	26
Skid Shoes New Style.....	28
Skid Shoes Old Style.....	30

General Information

Using This Manual

This manual is divided into sections. The first section contains General Information. The remaining sections divide the machine into segments (i.e. Frames, Drives, Hydraulics, etc.) which illustrate and list all parts. A Parts Number Index is located at the back of the book.

The Land Pride parts in this manual are specially designed for this machine and should be replaced with Land Pride parts only.

The information in this manual is current at time of printing. Some parts may change to assure top performance.

Right-hand and left-hand as used in this manual are determined by facing the direction the machine will travel while in use.

Below is an example of two facing pages from a parts manual. Familiarize yourself with the type of information contained on these pages.

Manual Replacement Information

Replacement manuals are available. Refer to our website at www.landpride.com or e-mail us at lit@landpride.com for additional information. Our website continues to provide the most up-to-date manuals available.

Touch-up Paint

Repaint parts where paint is worn or scratched to prevent rust. Aerosol cans and touch-up bottles with brush applicator are available through your local dealer. Also available are quart and gallon size paints. Add QT or GL to end of the Aerosol P/N.

Land Pride color descriptions and part numbers are listed on the "Land Pride Touch-up Paints" page in the "Decals" section of this book. Color options vary by product.



General Information

Hardware Legend

AR	As Required
BLADE	Blade Bolt
C	Cap Screw
CP	Cotter Pin
CPHSSS	Cup Point Hex Socket Set Screw
CPSHSS	Cup Point Square Head Set Screw
CPSQHSS	Cup Point Square Head Set Screw
CRFCHMS3	Cross Recess Flat Countersunk Head Machine Screw
CRPHMS	Cross Recess Pan Head Machine Screw
CRPHTF	Cross Recess Pan Head Thread Forming
CRRHMS	Cross Recess Round Head Machine Screw
CRTHMS	Cross Recess Truss Head Machine Screw
CSNB	Countersunk Square Neck Bolt
FHMS	Flat Head Machine Screw
FTC	Full Thread Cap Screw
H	Hex Nut
HCLN	Hex Center Lock Nut
HFLCS	Hex Flange Lock Cap Screw
HFS	Hex Flange Screw
HFSLN	Hex Flange Serrated Lock Nut
HFSS	Hex Flange Serrated Screw
HHCS	Hex Head Cap Screw or Metric Bolt
HSBHCS	Hex Socket Button Head Cap Screw
HSFCHCS	Hex Socket Flat Countersunk Head Cap Screw
HSHCS	Hex Socket Head Cap Screw
HSSS	Hex Socket Head Screw
HTLN	Hex Top Lock Nut
HWHCS	Hex Washer Head Cap Screw

HWHMS	Hex Washer Head Machine Screw
HXBHCS	Hex Socket Button Head Cap Screw
J	Hex Jam Nut
JIC	37 Degree Tapered Thread
L	Helical Spring Lock Washer
LUG	Lug Bolt
NFC	National Fine Cap Screw
NPSM	National Pipe Straight Mechanical
NPTF	National Pipe Taper Fuel
P	Wide Plain Washer
PHMS	Pan Head Machine Screw
PLOW	Plow Bolt
RHMS	Round Head Machine Screw
RHSNB	Round Head Square Neck Bolt
SCREW LEVELING	Leveling Screw
SCREW THUMB	Thumb Screw
SCREW WELD	Weld Screw
SFCHMS	Slotted Flat Countersunk Head Machine Screw
SFHMS	Slotted Fillister Head Machine Screw
SP	Special
SP SCREW	Special Screw
SOHSS	Square Head Set Screw
SRHMS	Slotted Round Head Machine Screw
SSS	Socket Set Screw
STCS	Self Tapping Cap Screw
STHMS	Slotted Truss Head Machine Screw
WHEEL	Wheel Studs and Hub Long Bolts
WING	Wing Bolt

Replacement Hardware

The **Hardware Legend** above lists hardware abbreviations used in the parts list. All bolts and nuts are Grade 5 unless otherwise noted. The use of improper grades of hardware can result in personal injury, damage to equipment, or loss of property.

Colored Replacement Parts

Land Pride offers replacement parts in factory standard colors and also on select models in Green, Orange, Red and Blue. Because of the variety of colors available, special attention must be given to the part number to prevent ordering the wrong replacement part.

A suffix number corresponding to one of the colors below must be added at the end of Land Pride's part number when ordering a replacement part with that color.

81 Green 83 Red
82 Orange 84 Blue

For example, if you are ordering a replacement part with part number 555-555C and the part you need is red, then add the suffix 83 to the end of the number to make the part number read 555-555C83. Parts ordered without a suffix number will be supplied in factory standard colors.

Black Replacement Parts

Some parts are factory standard black and some must be special ordered black. If your part is special ordered black, a second part number with the additional suffix number 85 on the end will be available. In this situation you must order that part with the suffix number for it to be black. Parts that are factory standard black will not have the suffix number.

Part Number Service Coding

Within the parts list some part numbers are coded for revisions and interchangeability. See notations in revision column.

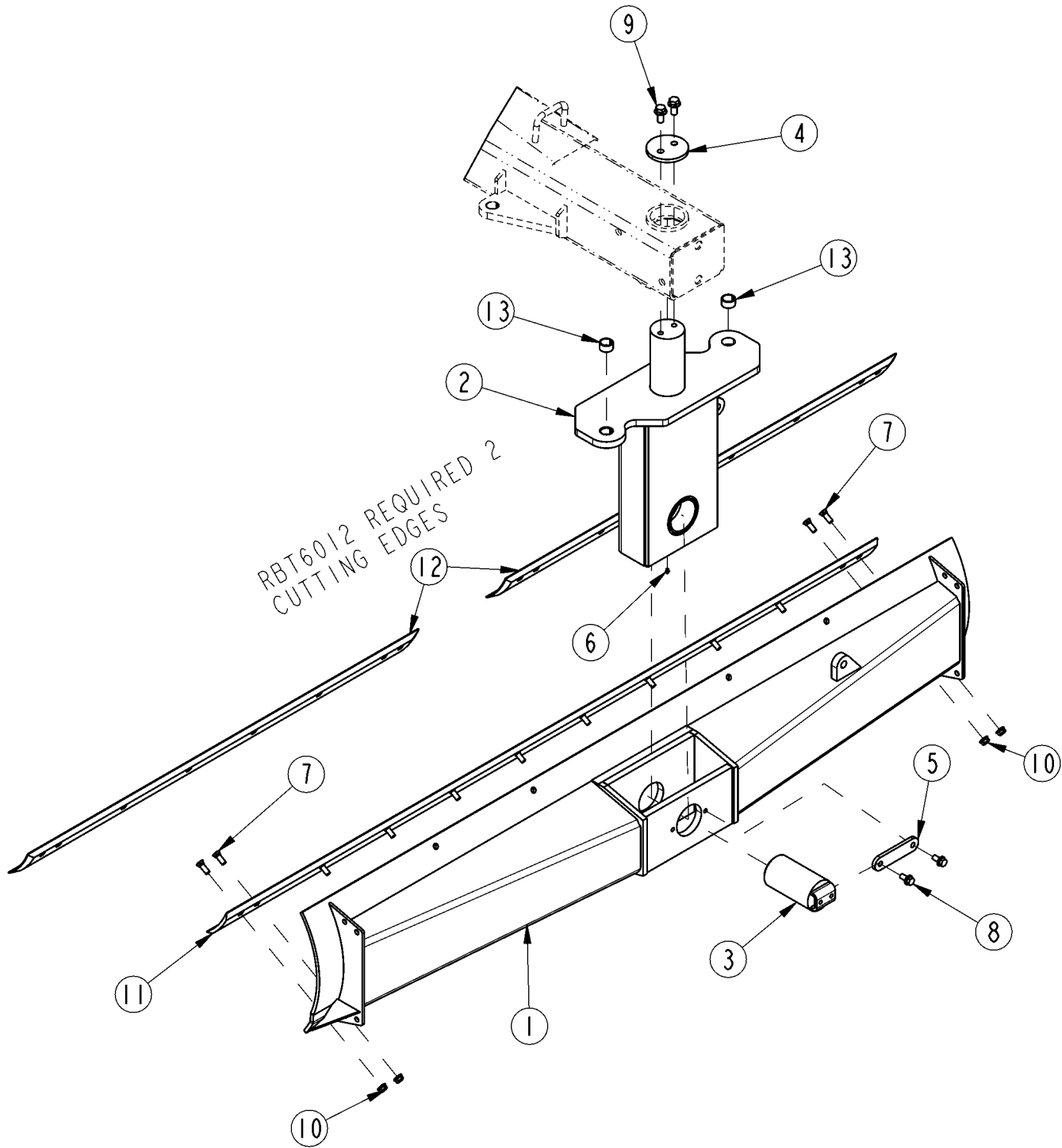
Serial Numbers

Always use the serial and model number when ordering parts. Refer to the Operator's Manual for serial number plate location.

- | | |
|----------------------|--|
| (S/N 20001+) | Includes serial numbers 20001 and above (to the latest number) |
| (S/N 10001 to 20000) | Includes serial numbers between and including 10001 and 20000 |
| (S/N 10000-) | Includes serial numbers 10000 and below (to the earliest number) |

Blade

Applies to RBT6010, RBT6012



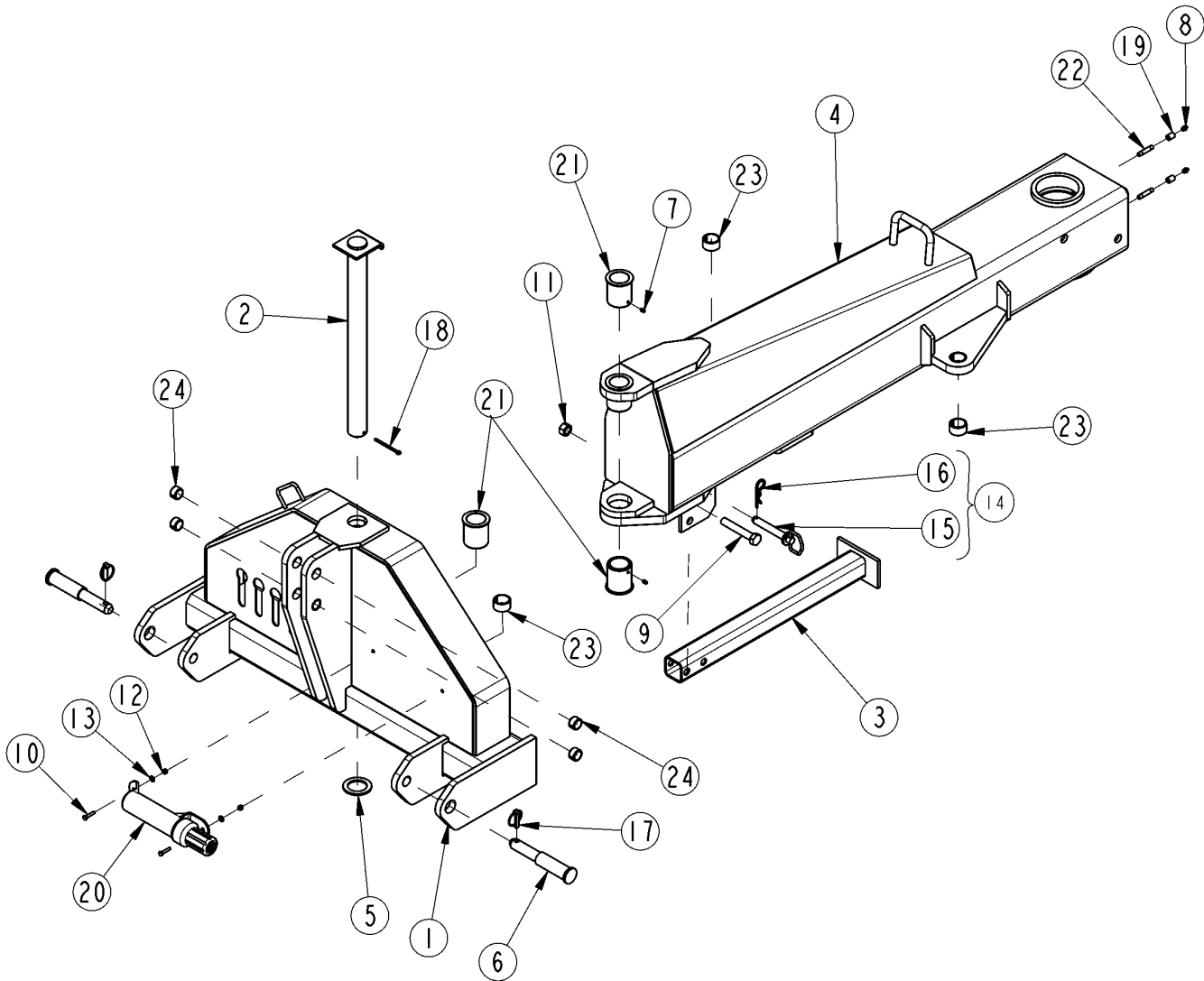
27881

Blade**Applies to RBT6010, RBT6012**

Ref	Part No.	Part Description	Comments	Revision
	Dwg 27881	Drawing Image Number		
1.	301-340H	WLDMNT, 120" MOLDBOARD		
1.	301-341H	WLDMNT, 144" MOLDBOARD		
2.	301-344H	WLDMNT, MOLDBOARD CARRIER		
3.	301-347H	WLDMNT, MOLDBOARD TILT PIN		
4.	301-435D	PLATE, KINGPIN CAP		
5.	301-436D	PLATE, MOLDBOARD TILT PIN KEEP		
6.	800-130C	GREASE ZERK STRAIGHT 1/8-27NPT		
7.	802-206C	PLOW 5/8-11X1 3/4 GR5		
8.	802-669C	HFS 5/8-11 X 1 1/4 GR8 PLT		
9.	802-897C	HFS 3/4-10X1 1/2 GR 5 PLT		
10.	803-304C	NUT HEX WHIZ 5/8-11 PLT	S/N 815206+	
10.	803-263C	NUT HEX FLANGE LOCK 5/8-11 PLT	S/N 815205-	
11.	820-421C	BLADE, 1/2X6X120 OFFSET GRADER	1 Required RBT6010	
12.	820-422C	BLADE, 1/2X6X72 OFFSET GRADER	2 Required RBT6012	
13.	890-126C	BUSHING PIVOT PIN 1 1/2 ID		

Frame & Hitch

Applies to RBT6010, RBT6012



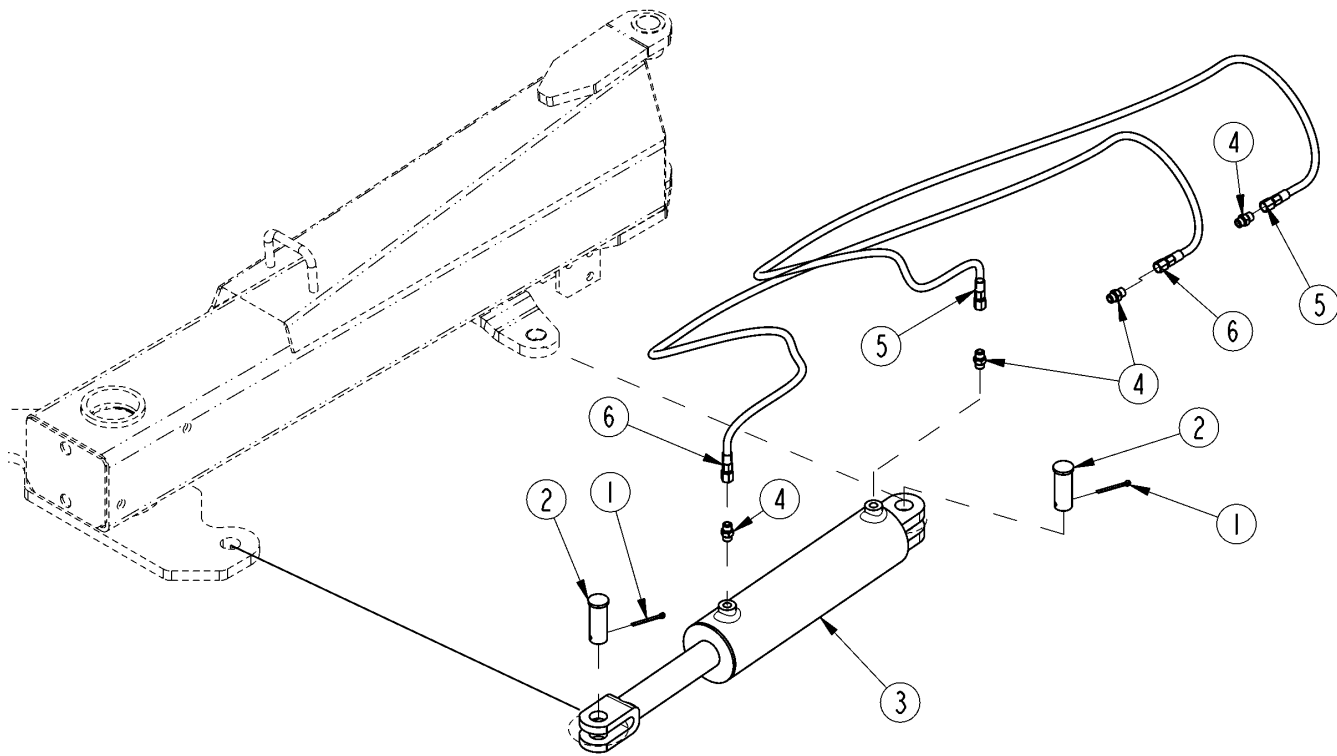
27880

Frame & Hitch**Applies to RBT6010, RBT6012**

Ref	Part No.	Part Description	Comments	Revision
	dwg27880	Drawing Image Number		
1.	300-009H	WLDMNT, RBT60 HITCH FRAME		
1.	300-009H81	WLDMNT,RBT60 HITCH FRAME GREEN		
1.	300-009H82	WLDMNT, RBT60 HITCH ORANGE		
1.	300-009H83	WLDMNT, RBT60 HITCH FRAME RED		
2.	300-091H	WLDMNT, FRAME PIVOT PIN		
3.	300-097H	PARKING STAND - 55		
4.	300-100H	WELDMNT, MAIN FRAME		
4.	300-100H81	WELDMNT, MAIN FRAME GREEN		
4.	300-100H82	WLDMNT, RBT60 MAIN FRAME ORANG		
4.	300-100H83	RBT60 MAIN FRAME RED		
5.	300-207D	WASHER, OFFSET PIN BACKING		
6.	300-236D	HITCH PIN		
7.	800-001C	GREASE ZERK STRAIGHT 1/4-28		
8.	800-130C	GREASE ZERK STRAIGHT 1/8-27NPT		
9.	802-192C	HHCS 3/4-10X4 1/2 GR5		
10.	802-224C	HHCS 1/4-20X1 1/4 GR5		
11.	803-026C	NUT LOCK 3/4-10 PLT		
12.	803-255C	NUT HEX NYLOCK 1/4-20		
13.	804-007C	WASHER FLAT 1/4 SAE PLT		
14.	805-081C	PIN HITCH 3/4 X 4 3/8		
15.	805-081C	PIN HITCH 3/4 X 4 3/8		
16.	805-088C	PIN, HAIR COTTER 3/16 WIRE DIA		
17.	805-103C	PIN LINCH 7/16 X 1 3/4		
18.	805-115C	PIN COTTER 1/4 X 3 PLT		
19.	811-634C	CP 1/8FNPT BLACK PIPE		
20.	816-504C	MANUAL STORAGE CONTAINER		
21.	827-105C	BSHG, 2.563ODX2.0IDX3.0 FLG		
22.	841-449C	NIPPLE, 1/8NPT X 2		
23.	890-126C	BUSHING PIVOT PIN 1 1/2 ID		
24.	890-143C	BUSHING HARDENED 1 1/4-1-3/4 L		

Hydraulic Angle Plumbing Components

Applies to RBT6010, RBT6012



27895

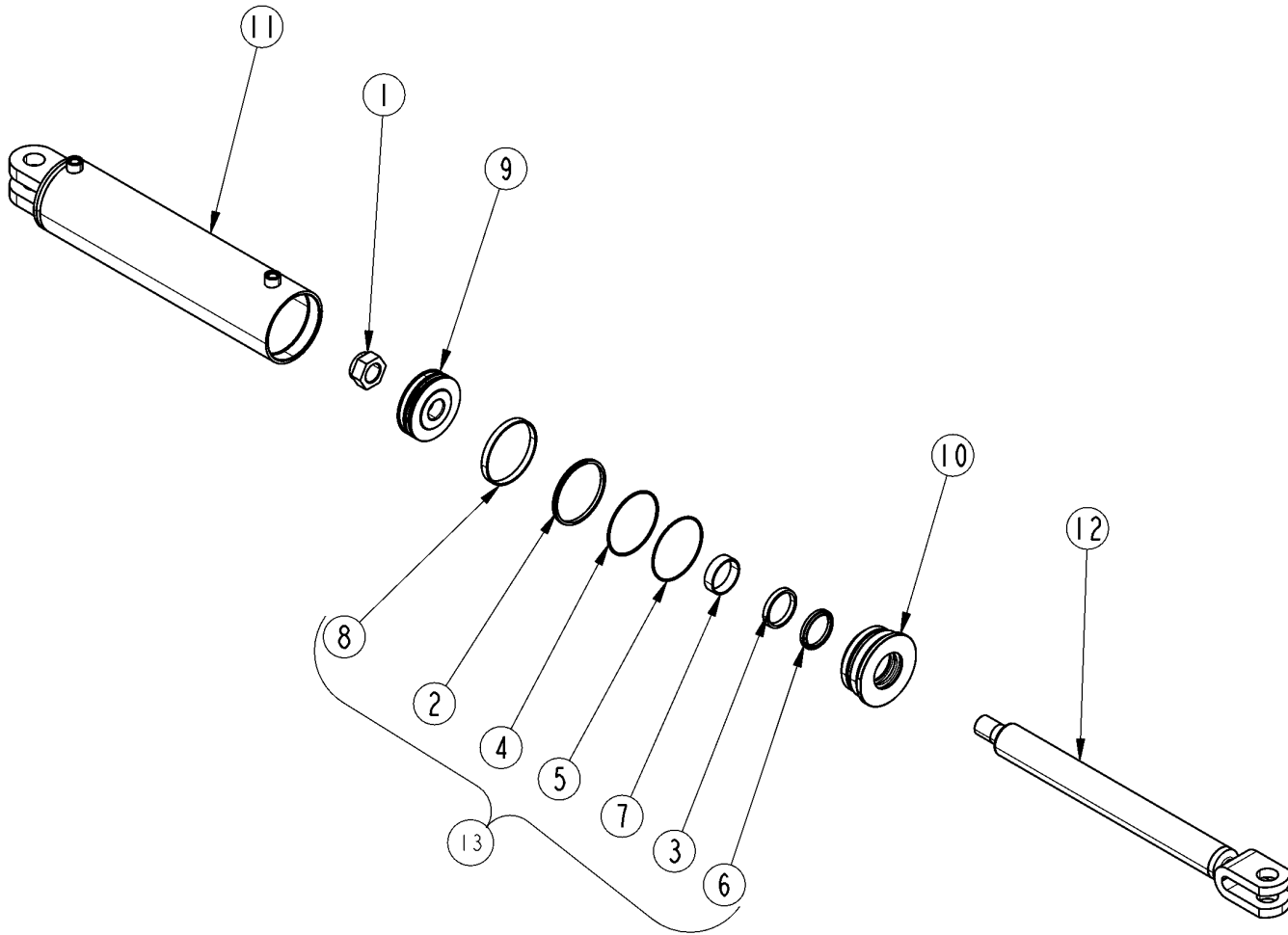
Hydraulic Angle Plumbing Components

Applies to RBT6010, RBT6012

Ref	Part No.	Part Description	Comments	Revision
	dwg27895	Drawing Image Number		
1.	805-105C	PIN COTTER 1/4 X 2 1/2 PLT		
2.	805-426C	PIN, 1.5 X 3.3125 USEABLE		
3.	810-684C	CYL, 5 X 18 X 2.5 ROD WELD		
4.	811-088C	AD 3/4MORB 3/4MJIC		
5.	811-550C	HH3/8R2 144 3/4FJIC		
6.	811-550C	HH3/8R2 144 3/4FJIC		

Hydraulic Cylinder (810-684C) Red Lion

Applies to RBT6010, RBT6012



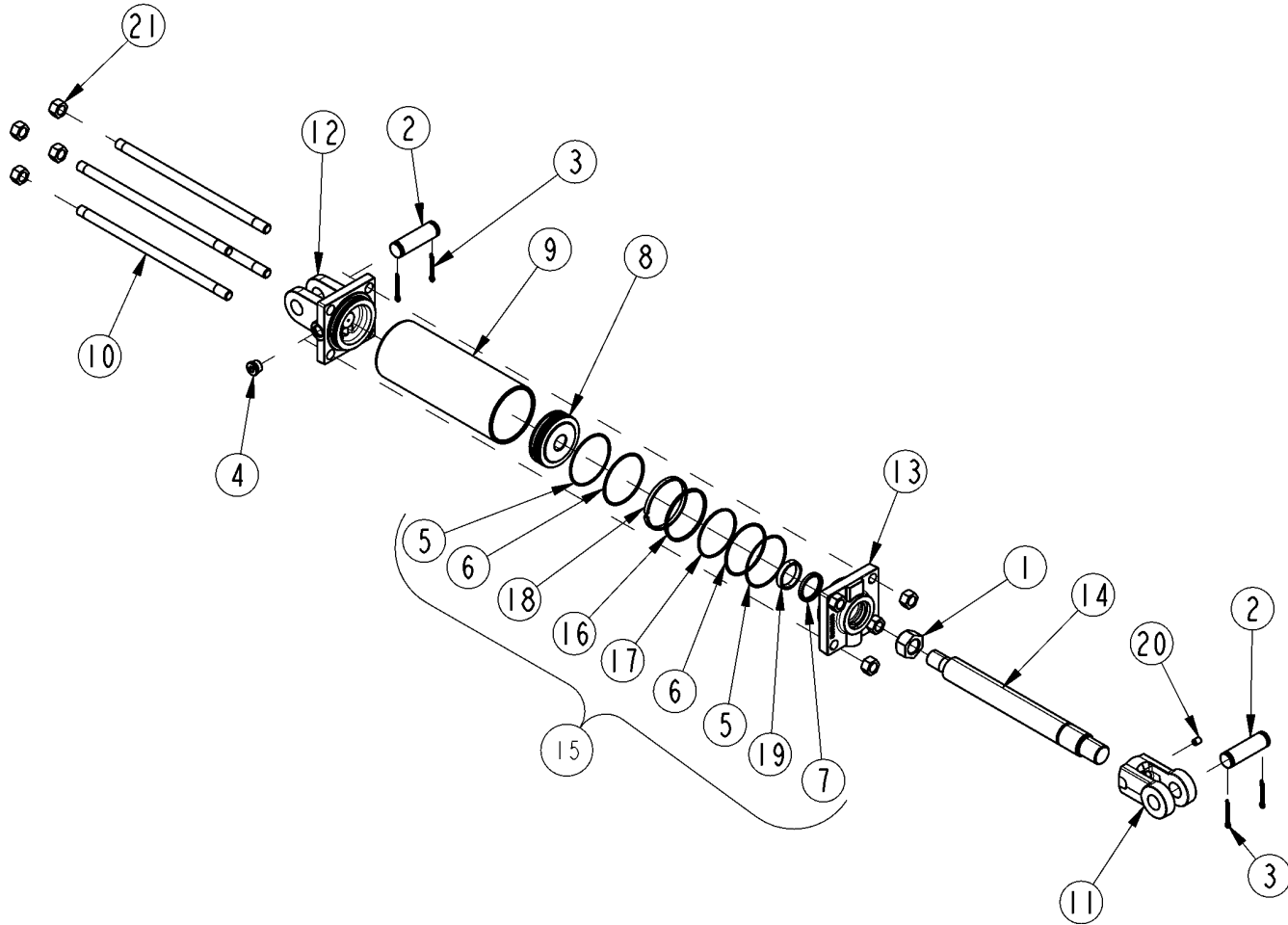
27897

Hydraulic Cylinder (810-684C) Red Lion**Applies to RBT6010, RBT6012**

Ref	Part No.	Part Description	Comments	Revision
	dwg27897 810-684C	Drawing Image Number CYL, 5 X 18 X 2.5 ROD WELD *		
1.	130782	MON NUT HEX 1 1/2-12 UNF LOCK		
2.	N/A	MON SEAL PSP PISTON RING 5.0		
3.	N/A	MON SEAL HALLITE ROD 2.5		
4.	N/A	MON SEAL BU#248		
5.	N/A	MON ORING 248 4.75X5 D90		
6.	N/A	MON SEAL WIPER ROD 2.50 SNAP		
7.	N/A	MON WEAR RING 2.75-2.50-.75		
8.	N/A	MON WEAR RING 5.00-4.75-.50		
9.	294986	MON PISTON 5.00X1.50		
10.	458607	MON CYL HEAD 5.0X2.5 THRD		
11.	470971	MON TUBE WLDMNT 5.0X18		
12.	497240	MON ROD WLDMNT 2.5X18X1.5		
13.	644203	MON SEAL KIT 50W-250 647374		

Hydraulic Cylinder (810-685C) Red Lion

Applies to RBT6010, RBT6012



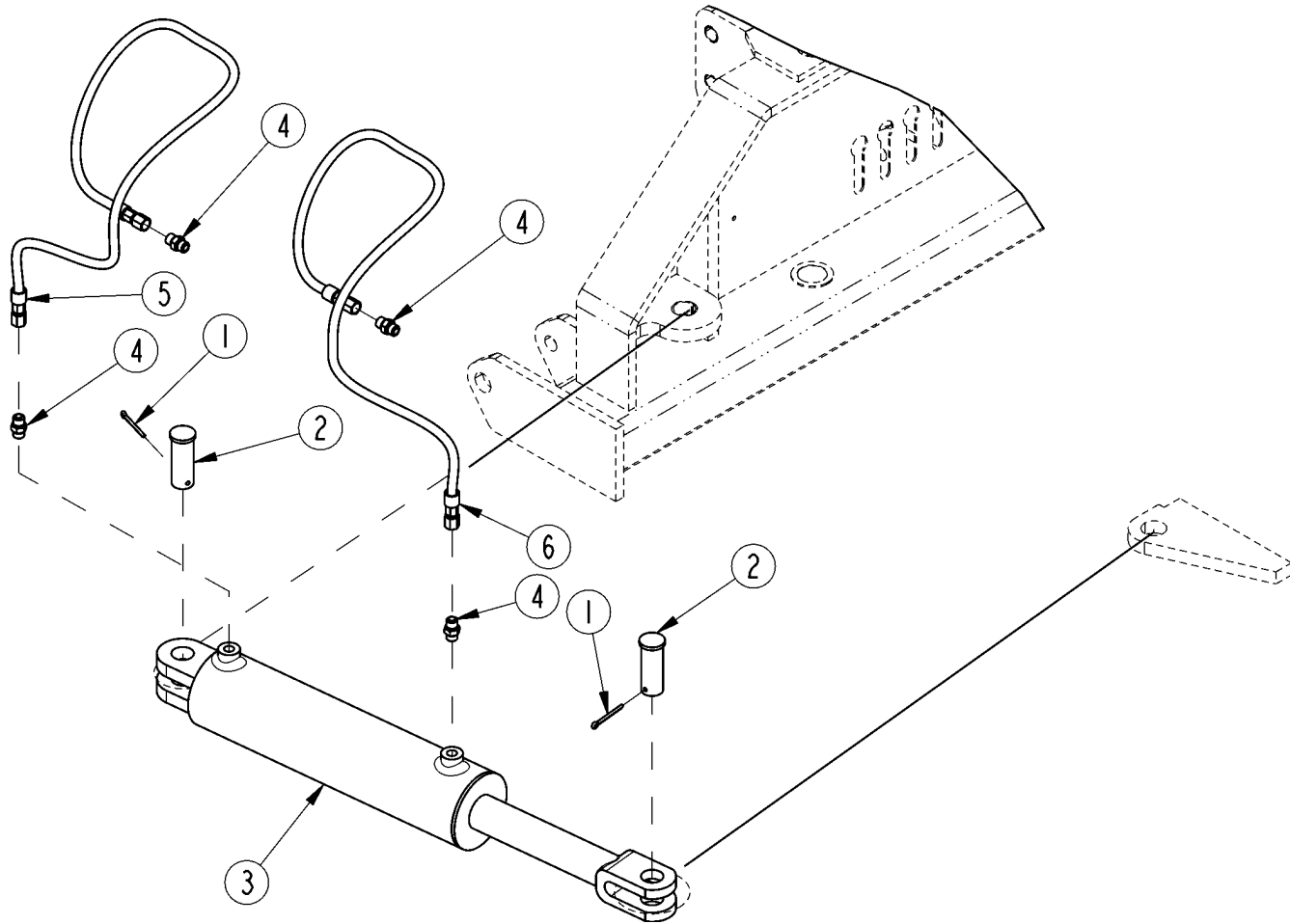
27898

Hydraulic Cylinder (810-685C) Red Lion**Applies to RBT6010, RBT6012**

Ref	Part No.	Part Description	Comments	Revision
	27898dwg	Drawing Image Number		
1.	130560	MON PISTON NUT		
2.	134953	LION PIN		
3.	135995	MON CLEVIS PIN COTTER		
4.	186562	LION PLUG 3/4-16UNF SOCKET HD		
5.	N/A	LION B.U. WASHER 073-236	In Seal Kit Item #15	
6.	N/A	MON END CAP O-RING	In Seal Kit Item #15	
7.	N/A	ROD DUST SEAL	In Seal Kit Item #15	
8.	258828	MON PISTN 3.5-1.125-TSS-ISO-WR		
9.	491798	LION CYL. TUBE 3.5 X 8		
10.	492338	LION TIE ROD 5/8 X 8		
11.	492652	LION ROD CLEVIS 1 1/4 (1PIN)		
12.	492676	LION CLEVIS CAP 3.5 ORB		
13.	258828	MON PISTN 3.5-1.125-TSS-ISO-WR		
14.	494845	ROD, 1.5 DIA 8" STROKE CYL		
15.	810-917C	MON SEAL KIT 620280		
16.	N/A	EXPANDER PTFE EXPANDER	In Seal Kit Item #15	
17.	N/A	3.5 O RING	In Seal Kit Item #15	
18.	N/A	WEAR RING	In Seal Kit Item #15	
19.	N/A	SEAL, 1.5 ROD	In Seal Kit Item #15	
20.	801-023C	SCREW SET SH 3/8-16X3/8 TYPE C		
21.	803-022C	NUT HEX 5/8-18 PLT		

Hydraulic Offset Plumbing Components

Applies to RBT6010, RBT6012



27894

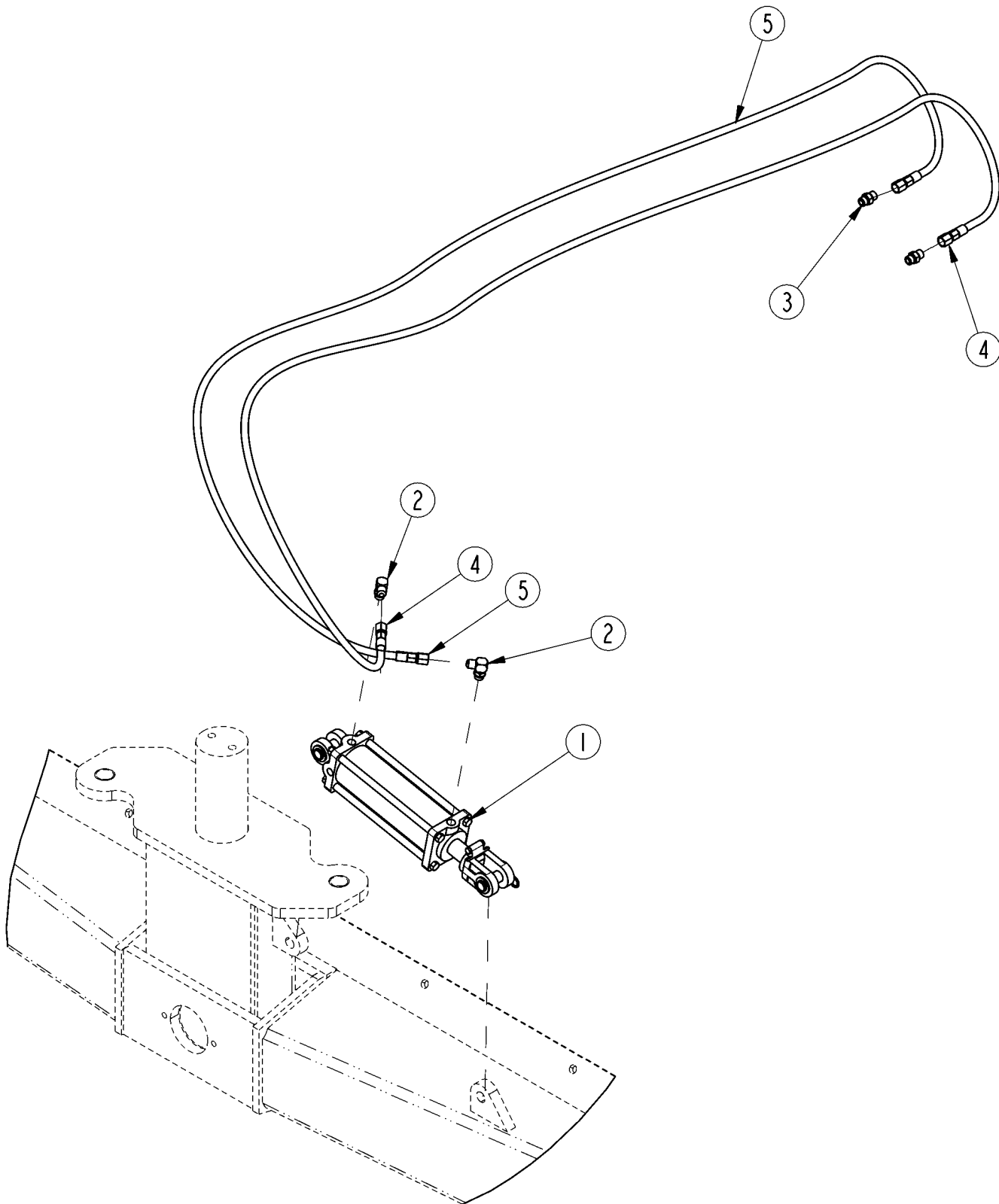
Hydraulic Offset Plumbing Components

Applies to RBT6010, RBT6012

Ref	Part No.	Part Description	Comments	Revision
	dwg27894	Drawing Image Number		
1.	805-105C	PIN COTTER 1/4 X 2 1/2 PLT		
2.	805-426C	PIN, 1.5 X 3.3125 USEABLE		
3.	810-684C	CYL, 5 X 18 X 2.5 ROD WELD		
4.	811-088C	AD 3/4MORB 3/4MJIC		
5.	811-671C	HH3/8R2 099 3/4FJIC		
6.	811-671C	HH3/8R2 099 3/4FJIC		

Hydraulic Tilt Plumbing Components

Applies to RBT6010, RBT6012



27893

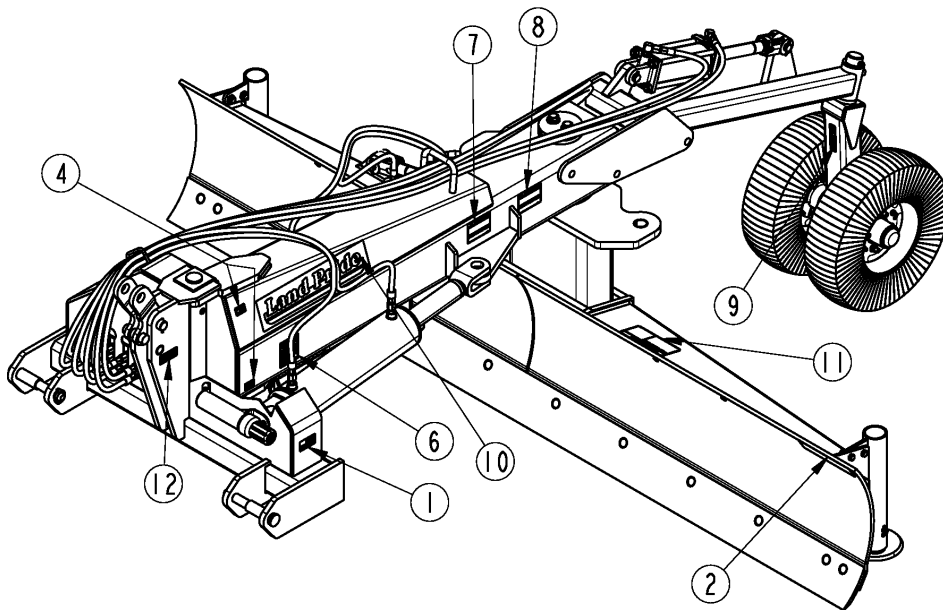
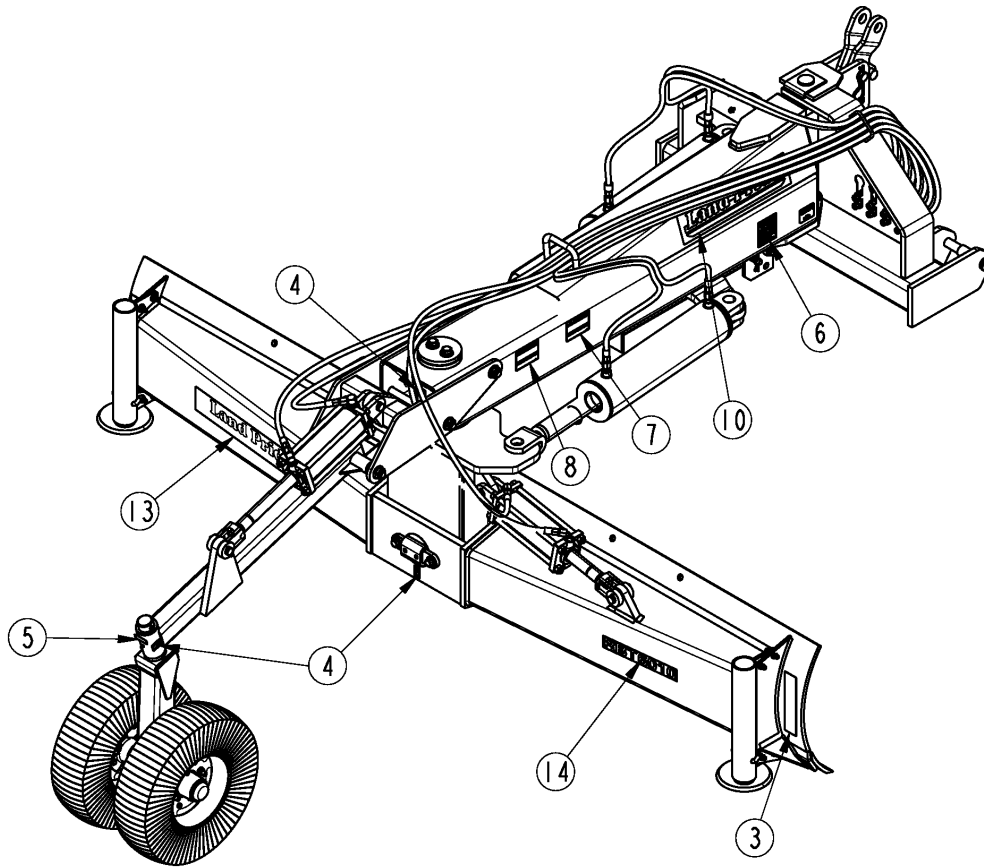
Hydraulic Tilt Plumbing Components

Applies to RBT6010, RBT6012

Ref	Part No.	Part Description	Comments	Revision
	dwg27893	Drawing Image Number		
1.	810-685C	CYL, 3.5X8X1.5 TIE ROD ASAE		
2.	811-063C	EL 3/4MJIC 3/4MORB		
3.	811-088C	AD 3/4MORB 3/4MJIC		
4.	811-852C	HH3/8R2 180 3/4FJIC		
5.	811-852C	HH3/8R2 180 3/4FJIC		

Decal Placement

Applies to RBT6010, RBT6012



27883

Decal Placement**Applies to RBT6010, RBT6012**

Ref	Part No.	Part Description	Comments	Revision
	dwg27883	Drawing Image Number		
1.	818-190C	DECAL FLAG		
2.	838-615C	DECAL REFLECTOR AMBER 2X9	S/N 821694+	
2.	818-229C	DECAL AMBER REFLECTOR	S/N 821693-	
3.	838-614C	DECAL REFLECTOR RED 2X9	S/N 821694+	
3.	818-230C	DECAL RED REFLECTOR	S/N 821693-	
4.	818-298C	DECAL GREASE 25HRS BLACK/WHITE		
5.	818-335C	DECAL RED NARROW REFLECTOR		
6.	818-339C	DECAL WARNING HIGH PRESSUR SML		
7.	818-487C	DECAL DANGER CRUSHING/PINCHING		
8.	818-491C	DECAL WARNING PINCH/SHEAR		
9.	818-681C	DECAL NOTICE - 20 MPH MAX		
10.	818-903C	RPBY 838-965C	Beige Unit	
10.	838-965C	DECAL LANDPRIDE 16" BROWN/GOLD		
10.	838-966C	DECAL LANDPRIDE 22" BROWN/GOLD	Green Unit, Orange Unit & Red Unit	
11.	838-075C	DECAL CAUTION RBT MBOARD FALL		
12.	838-517C	DECAL QUICK HITCH SYSTEM		
13.	838-966C	DECAL LANDPRIDE 22" BROWN/GOLD		
14.	848-452C	DECAL, RBT6010 BEIGE		
14.	848-451C	DECAL, RBT6012 BEIGE		

Land Pride Touch-up Paints

Applies to RBT6010, RBT6012

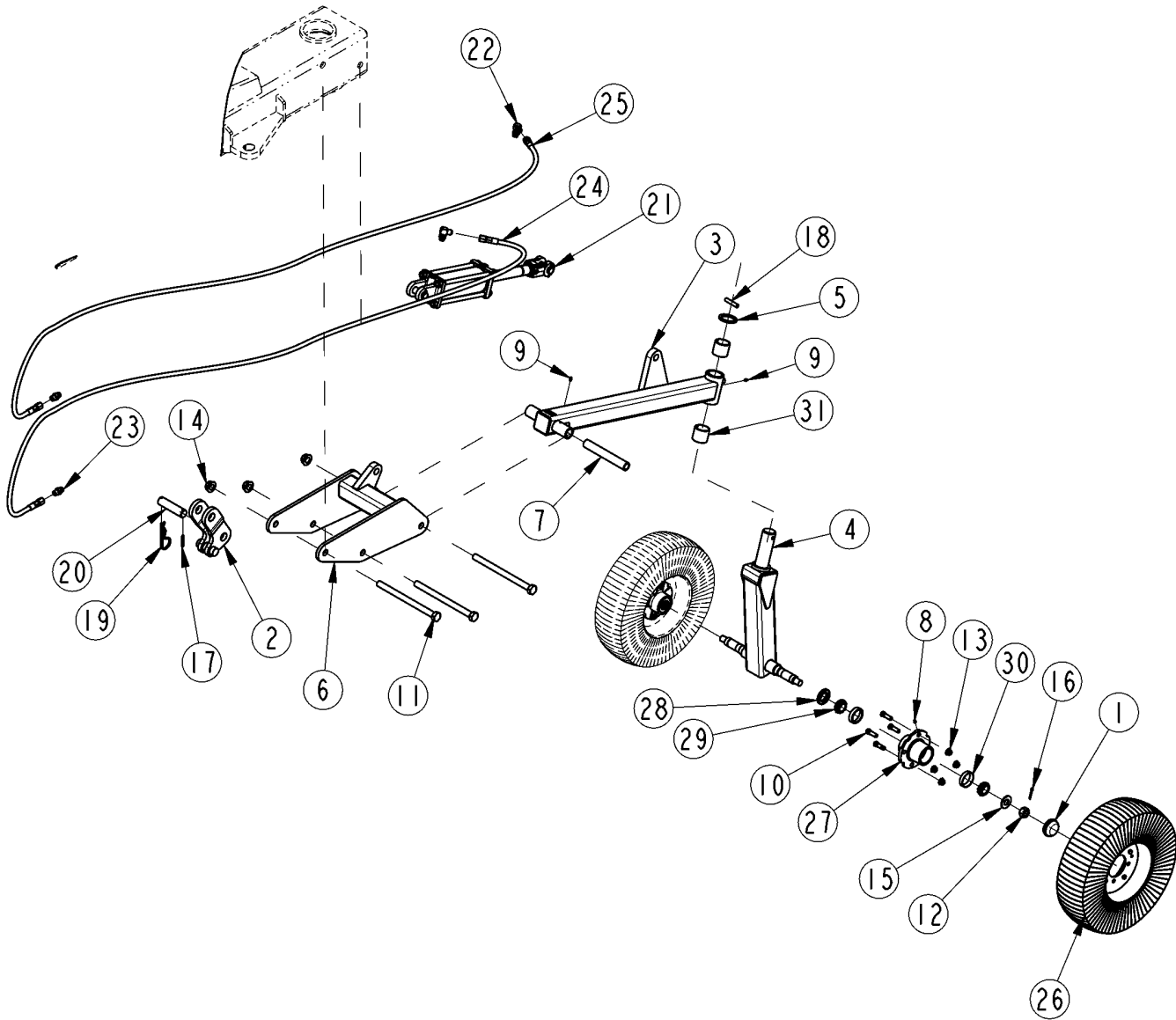
No diagram associated with this Parts List

Land Pride Touch-up Paints**Applies to RBT6010, RBT6012**

Ref	Part No.	Part Description	Comments	Revision
1.	821-011C	LP BEIGE SPRAY CAN	Spray can	
1.	821-070C	GLOSS BLACK SPRAY CAN	Spray can	
1.	821-054C	MED. RED SPRAY TRCK/CTR	Spray can	
1.	821-058C	GREEN SPRAY CUTTERS	Spray can	
1.	821-066C	ORANGE SPRAY CAN	Spray can	
1.	821-067C	BLUE SPRAY CAN	Spray can	
1.	821-080C	PAINT ALUMINUM/ZINC SPRAY CAN	Spray can	
2.	821-011CTU	LP BEIGE TOUCH-UP 5OZ	Touch-up bottle with brush	
2.	821-070CTU	GLOSS BLACK TOUCH-UP 5OZ	Touch-up bottle with brush	
2.	821-054CTU	MED RED TOUCH-UP 5OZ	Touch-up bottle with brush	
2.	821-058CTU	GREEN TOUCH-UP 5OZ	Touch-up bottle with brush	
2.	821-066CTU	ORANGE TOUCH-UP 5OZ	Touch-up bottle with brush	
2.	821-067CTU	BLUE TOUCH-UP 5OZ	Touch-up bottle with brush	
2.	821-080CTU	PAINT ALUMINUM/ZINC TOUCH UP	Touch-up bottle with brush	
3.	821-011CQT	LP BEIGE QUART	Quart can	
3.	821-070CQT	GLOSS BLACK QUART	Quart can	
3.	821-054CQT	MED RED QUART	Quart can	
3.	821-058CQT	GREEN QUART	Quart can	
3.	821-066CQT	ORANGE QUART	Quart can	
3.	821-067CQT	BLUE QUART	Quart can	
3.	821-080CQT	PAINT ALUMINUM/ZINC QUART	Quart can	
4.	821-011CGL	LP BEIGE GALLON	Gallon can	
4.	821-070CGL	GLOSS BLACK GALLON	Gallon can	
4.	821-054CGL	MED RED GALLON	Gallon can	
4.	821-058CGL	GREEN GALLON	Gallon can	
4.	821-066CGL	ORANGE GALLON	Gallon can	
4.	821-067CGL	BLUE GALLON	Gallon can	
4.	821-080CGL	PAINT ALUMINUM/ZINC GALLON	Gallon can	

Gauge Wheel Dual Hydraulic

Applies to RBT6010, RBT6012



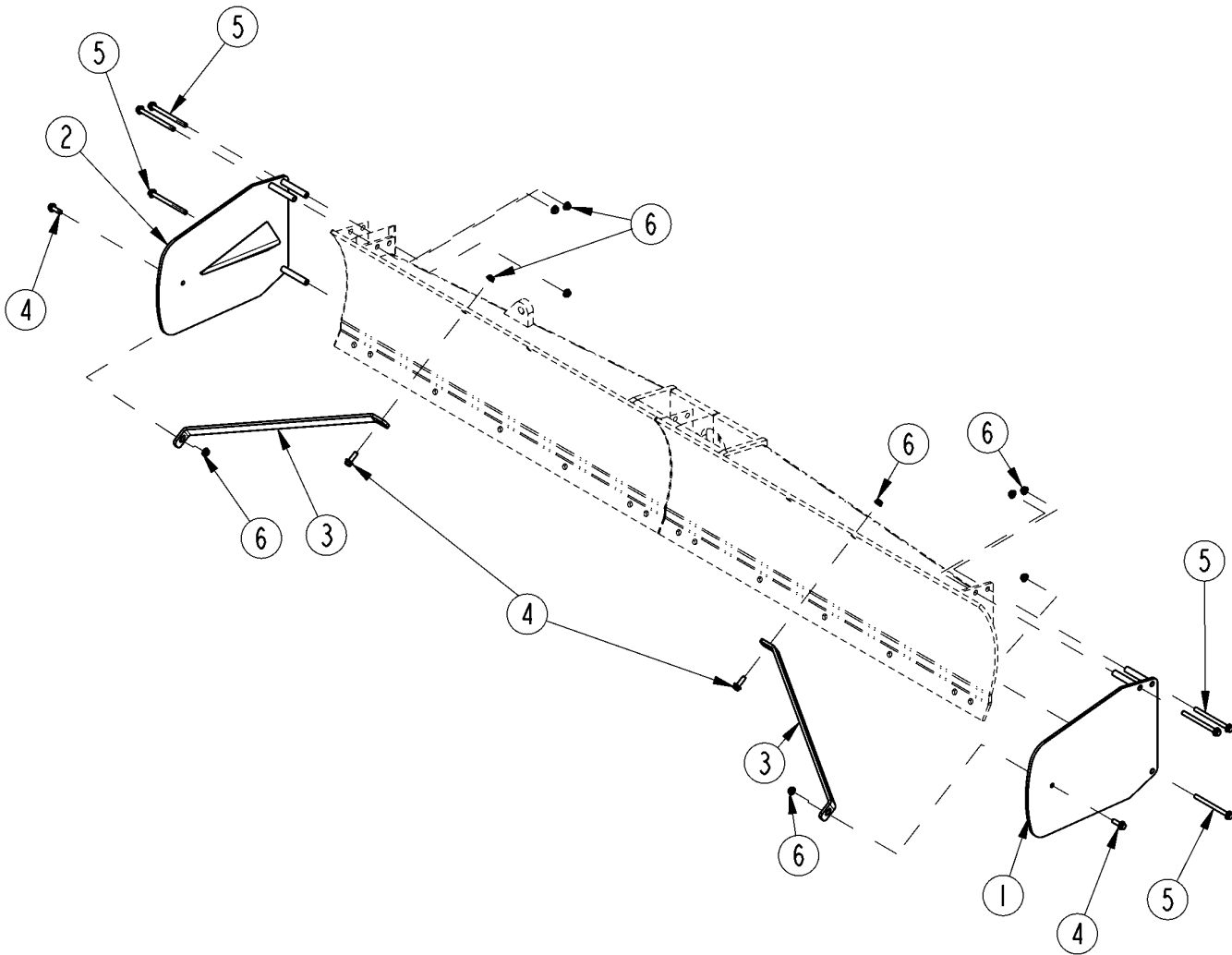
27892

Gauge Wheel Dual Hydraulic**Applies to RBT6010, RBT6012**

Ref	Part No.	Part Description	Comments	Revision
	Dwg 27892	Drawing Image Number		
1.	200-001D	HUB GREASE CAP		
2.	300-147H	FLOATING TOP LINK		
3.	301-162H	CASTER MT TUBE WELDMENT		
4.	301-164H	DUAL GW WELDMENT		
5.	301-211D	GW RETAINER WASHER		
6.	301-352H	WLDMNT, GW FRAME MOUNT		
7.	301-440D	TUBE, GW HITCH PIVOT		
8.	800-001C	GREASE ZERK STRAIGHT 1/4-28		
9.	800-080C	GREASE ZERK 1/4-28 THD FORMING		
10.	802-135C	HUB STUD 1/2-20X1 5/8 GR5		
11.	802-896C	HHCS 7/8-9X12 GR5 PLT		
12.	803-029C	NUT HEX SLOTTED 7/8-14 PLT		
13.	803-308C	NUT HEX FLG/LK 1/2-20 PLT.GR.G		
14.	803-349C	NUT HEX FLG LCK 7/8-9 PLT		
15.	804-055C	WASHER SPINDLE - 7/8		
16.	805-016C	PIN COTTER 3/16 X 1 1/4 PLT		
17.	805-146C	PIN ROLL 1/4 X 2 LG PL		
18.	805-164C	PIN ROLL 1/2 X 2 1/2 LG PLT		
19.	805-167C	PIN HAIR COTTER .243 WIRE PLT		
19.	805-040C	RPBY 805-167C	Obsolete	
20.	805-216C	PIN HEADLESS 1 1/4 X 4 1/4 USE		
21.	810-685C	CYL, 3.5X8X1.5 TIE ROD ASAE		
22.	811-063C	EL 3/4MJIC 3/4MORB		
23.	811-088C	AD 3/4MORB 3/4MJIC		
24.	811-852C	HH3/8R2 180 3/4FJIC		
25.	811-852C	HH3/8R2 180 3/4FJIC		
26.	814-059C	TIRE & WHEEL LAM. 6X9X21(TALL)		
27.	815-230C	HUB 4 BLT W/CUPS, ZERK & STUDS		
28.	816-098C	SEAL 1 3/8 ID X 2.441 OD X.313		
29.	822-091C	BRG 1.25ID CONE 15123		
30.	822-092C	BRG CUP 2.44OD 15245		
31.	890-051C	BUSHING 2 1/4 OD X 2 ID X 2 LG		

Side Plates

Applies to RBT6010, RBT6012



27882

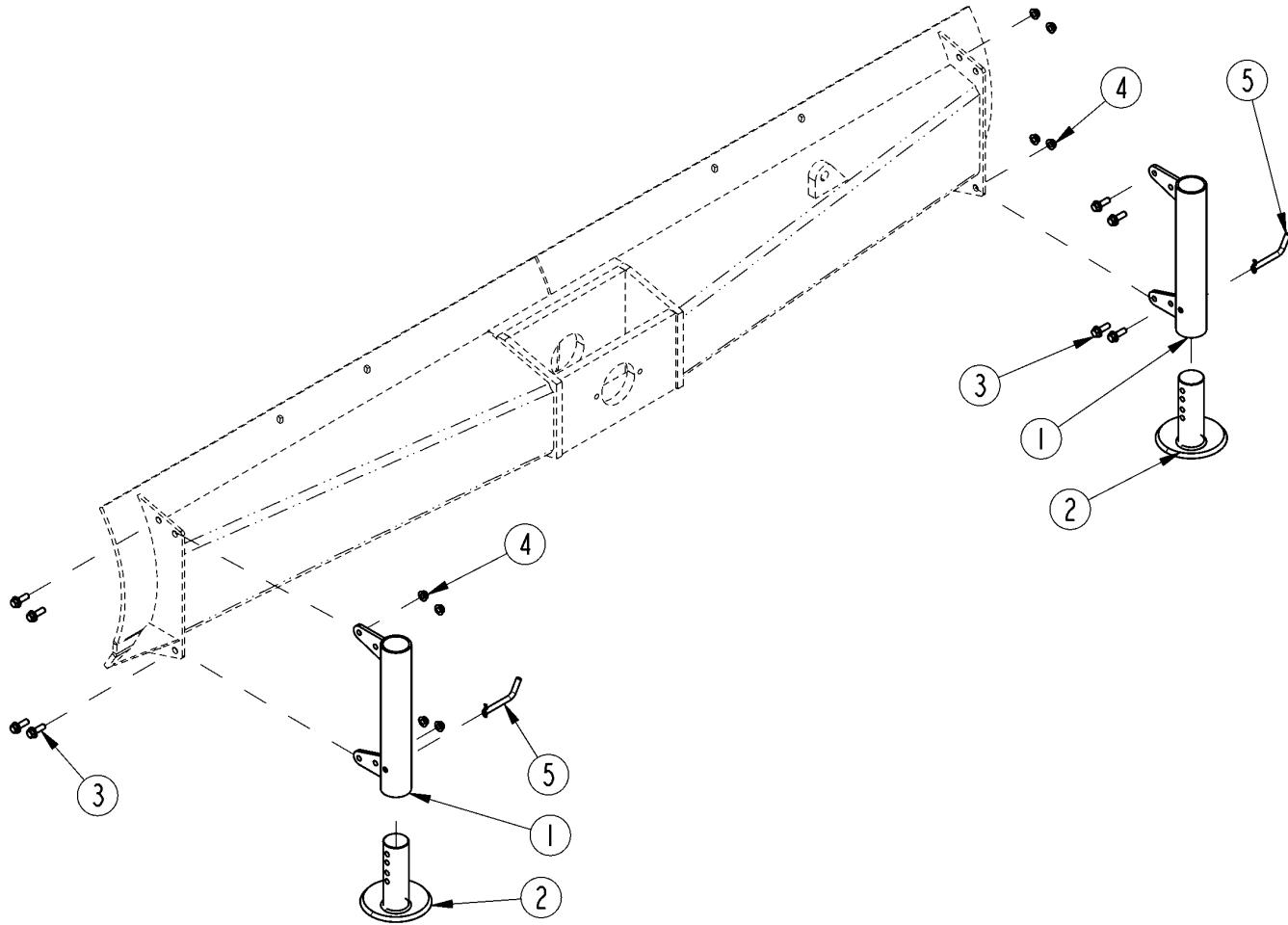
Side Plates

Applies to RBT6010, RBT6012

Ref	Part No.	Part Description	Comments	Revision
	dwg27882	Drawing Image Number		
	301-355A	KIT, RBT60 SERIES END PANEL	Includes both end panels and mounting hardware	
		*		
1.	301-356H	WLDMNT, LH END PANEL		
2.	301-357H	WLDMNT, RH END PANEL		
3.	301-445D	BAR, END PLATE BRACE		
4.	802-203C	HFSS 1/2-13X1 1/2 GR5		
5.	802-745C	HFS 1/2-13X6 1/8GR5 PLT		
6.	803-169C	NUT HEX FLG LOCK 1/2-13 PLT		

Skid Shoes New Style

Applies to RBT6010, RBT6012



35327

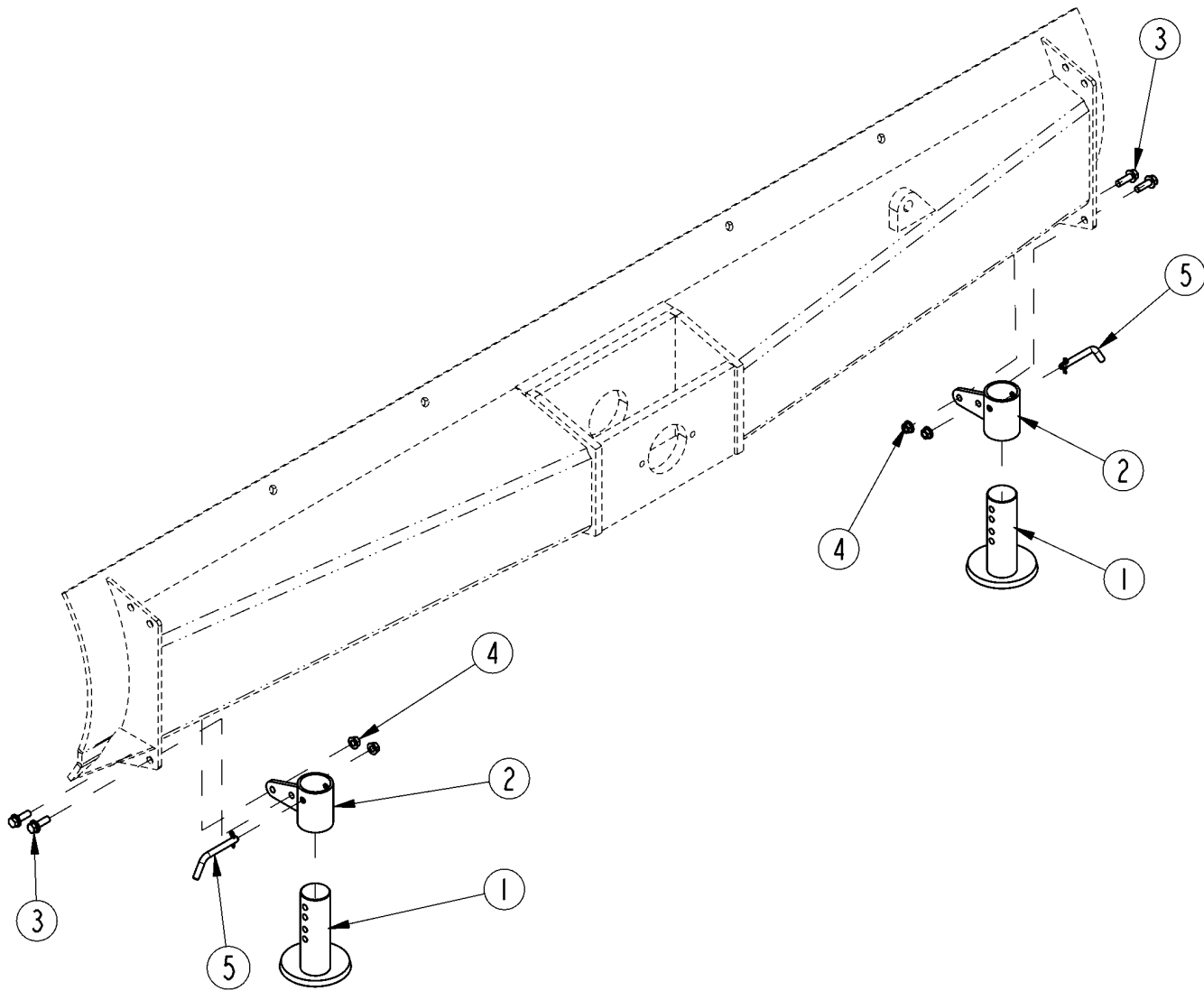
Skid Shoes New Style

Applies to RBT6010, RBT6012

Ref	Part No.	Part Description	Comments	Revision
	dwg35327	Drawing Image Number		
	301-437A	HD SKID SHOES	Includes 2 skid shoes with mounting hardware	
		*		
1.	301-434H	HD SKID SHOE MNT		
2.	301-435H	HD SKID SHOE		
3.	802-203C	HFSS 1/2-13X1 1/2 GR5		
4.	803-169C	NUT HEX FLG LOCK 1/2-13 PLT		
5.	805-035C	PIN BENT .50X3.0 USBL W/PIN		

Skid Shoes Old Style

Applies to RBT6010, RBT6012



27896

Skid Shoes Old Style

Applies to RBT6010, RBT6012

Ref	Part No.	Part Description	Comments	Revision
	dwg27896	Drawing Image Number		
	301-353A	RPBY 301-437A		
		*		
1.	301-203H	RPBY 301-437A		
2.	301-354H	RPBY 301-437A		
3.	802-203C	HFSS 1/2-13X1 1/2 GR5		
4.	803-169C	NUT HEX FLG LOCK 1/2-13 PLT		
5.	805-035C	PIN BENT 1/2 X 3 W/HAIRPIN 12B		



Part Number Index

The Part Number Index is a numeric index of all part numbers included in this manual. The index shows what page(s) the part is used on.

Part Number	Page	Part Number	Page	Part Number	Page
130560	15	803-263C	7	821-080CQT	23
130782	13	803-304C	7	821-080CTU	23
134953	15	803-308C	25	822-091C	25
135995	15	803-349C	25	822-092C	25
186562	15	804-007C	9	827-105C	9
200-001D	25	804-055C	25	838-075C	21
258828	15	805-016C	25	838-517C	21
27898dwg	15	805-035C	29, 31	838-614C	21
294986	13	805-040C	25	838-615C	21
300-009H	9	805-081C	9	838-965C	21
300-009H81	9	805-088C	9	838-966C	21
300-009H82	9	805-103C	9	841-449C	9
300-009H83	9	805-105C	11, 17	848-451C	21
300-091H	9	805-115C	9	848-452C	21
300-097H	9	805-146C	25	890-051C	25
300-100H	9	805-164C	25	890-126C	7, 9
300-100H81	9	805-167C	25	890-143C	9
300-100H82	9	805-216C	25	Dwg 27881	7
300-100H83	9	805-426C	11, 17	Dwg 27892	25
300-147H	25	810-684C	11, 13, 17	dwg27880	9
300-207D	9	810-685C	19, 25	dwg27882	27
300-236D	9	810-917C	15	dwg27883	21
301-162H	25	811-063C	19, 25	dwg27893	19
301-164H	25	811-088C	11, 17, 19, 25	dwg27894	17
301-203H	31	811-550C	11	dwg27895	11
301-211D	25	811-634C	9	dwg27896	31
301-340H	7	811-671C	17	dwg27897	13
301-341H	7	811-852C	19, 25	dwg35327	29
301-344H	7	814-059C	25	N/A	13, 15
301-347H	7	815-230C	25		
301-352H	25	816-098C	25		
301-353A	31	816-504C	9		
301-354H	31	818-190C	21		
301-355A	27	818-229C	21		
301-356H	27	818-230C	21		
301-357H	27	818-298C	21		
301-434H	29	818-335C	21		
301-435D	7	818-339C	21		
301-435H	29	818-487C	21		
301-436D	7	818-491C	21		
301-437A	29	818-681C	21		
301-440D	25	818-903C	21		
301-445D	27	820-421C	7		
458607	13	820-422C	7		
470971	13	821-011C	23		
491798	15	821-011CGL	23		
492338	15	821-011CQT	23		
492652	15	821-011CTU	23		
492676	15	821-054C	23		
494845	15	821-054CGL	23		
497240	13	821-054CQT	23		
644203	13	821-054CTU	23		
800-001C	9, 25	821-058C	23		
800-080C	25	821-058CGL	23		
800-130C	7, 9	821-058CQT	23		
801-023C	15	821-058CTU	23		
802-135C	25	821-066C	23		
802-192C	9	821-066CGL	23		
802-203C	27, 29, 31	821-066CQT	23		
802-206C	7	821-066CTU	23		
802-224C	9	821-067C	23		
802-669C	7	821-067CGL	23		
802-745C	27	821-067CQT	23		
802-896C	25	821-067CTU	23		
802-897C	7	821-070C	23		
803-022C	15	821-070CGL	23		
803-026C	9	821-070CQT	23		
803-029C	25	821-070CTU	23		
803-169C	27, 29, 31	821-080C	23		
803-255C	9	821-080CGL	23		

This Page Intentionally Left Blank



Great Plains Manufacturing, Inc.

Corporate Office: P.O. Box 5060
Salina, Kansas 67402-5060 USA

www.landpride.com
