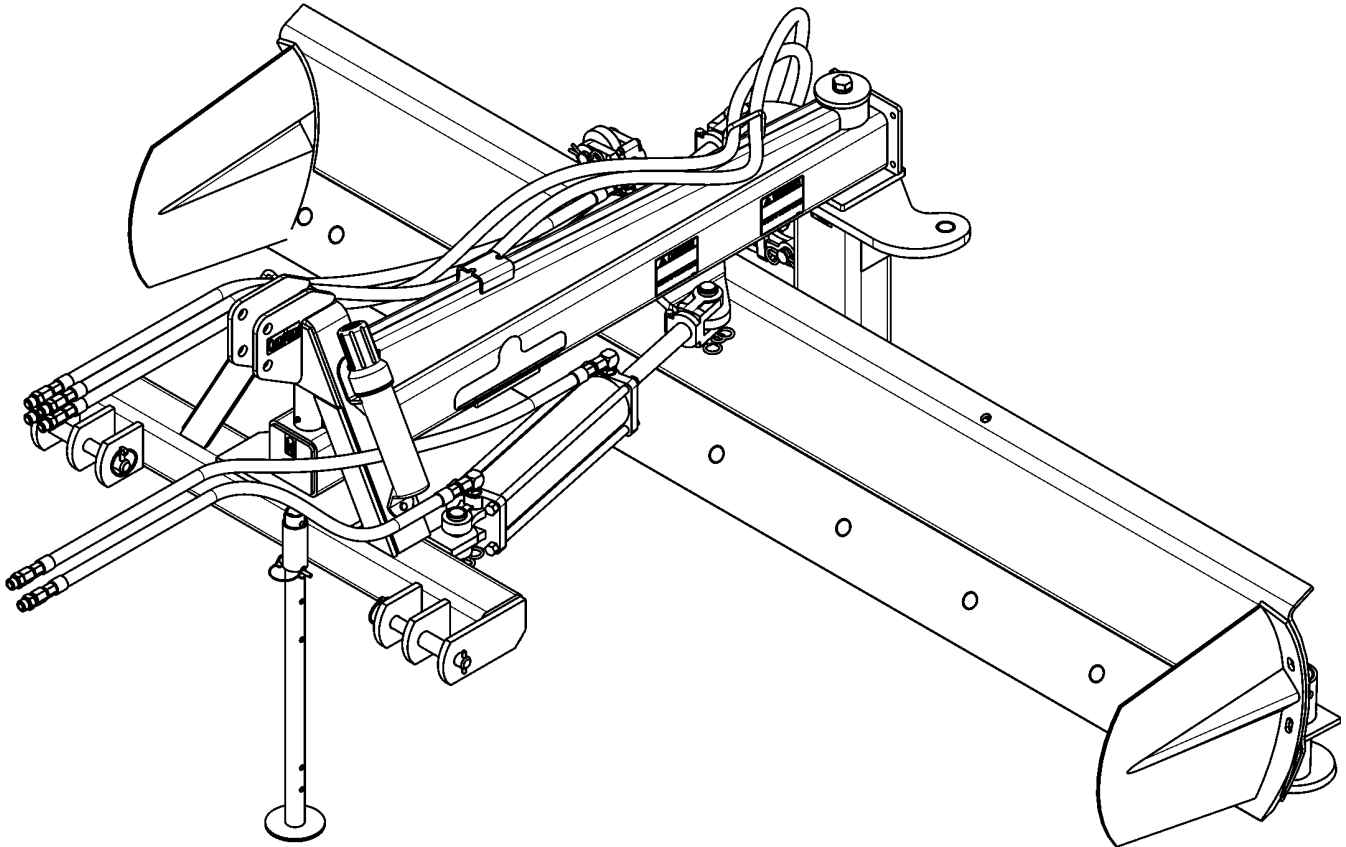


Rear Blade

RBT3572, RBT3584 & RBT3596



24747

301-251P **Parts Manual**



Read the Operator's Manual entirely. When you see this symbol, the subsequent instructions and warnings are serious - follow without exception. Your life and the lives of others depend on it!

© Copyright 2020 Printed 11/25/20

Cover photo may show optional equipment not supplied with standard unit.





Table of Contents

| | |
|---|-----------|
| Section 1: Introduction..... | 4 |
| Using This Manual..... | 4 |
| Manual Replacement Information..... | 4 |
| Manual Revisions..... | 4 |
| Touch-up Paint..... | 4 |
| Hardware Legend..... | 5 |
| Replacement Hardware..... | 5 |
| Serial Numbers..... | 5 |
| Part Number Service Coding..... | 5 |
| Section 2: Frame & Moldboard..... | 6 |
| Frame & Hitch..... | 6 |
| Manual Offset..... | 8 |
| Angling & Tilt..... | 8 |
| Moldboard..... | 10 |
| Section 3: Hydraulics..... | 12 |
| Hydraulic Angling & Hydraulic Offset Cylinder Assembly... | 12 |
| Hydraulic Cylinder (810-558C) Cross..... | 14 |
| Hydraulic Cylinder (810-601C) Midway..... | 16 |
| Hydraulic Tilting..... | 18 |
| Section 4: Decals..... | 20 |
| Decal Placement..... | 20 |
| Touch-up Paints - LP..... | 22 |
| Section 5: Options & Accessories..... | 24 |
| End Plates..... | 24 |
| Gauge Wheel Hydraulic..... | 26 |
| Gauge Wheel Manual..... | 28 |
| Hub Assembly 4-Bolt W/ Zerk & Studs (815-092C)..... | 30 |
| Hydraulic Cushion Valve..... | 32 |
| Hydraulic Cylinder (810-162C) Cross..... | 34 |
| Hydraulic Cylinder (810-162C) Midway..... | 36 |
| Hydraulic Cylinder (810-162C) Red Lion..... | 38 |
| Hydraulic Selector Valve..... | 40 |
| Skid Shoe..... | 42 |
| | |
| Part Number Index..... | 44 |

© Copyright 2020. All rights reserved.

Land Pride provides this publication “as is” without warranty of any kind, either expressed or implied. While every precaution has been taken in the preparation of this manual, Land Pride assumes no responsibility for errors or omissions. Neither is any liability assumed for damages resulting from the use of the information contained herein. Land Pride reserves the right to revise and improve its products as it sees fit. This publication describes the state of this product at the time of its publication, and may not reflect the product in the future. The illustrations in this manual are not intended for safe and proper assembly or disassembly of equipment. The illustrations are intended for ordering parts only.

Land Pride is registered trademark.

All other brands and product names are trademarks or registered trademarks of their respective holders.

Printed in the United States of America.



Alphabetized Table of Contents

| | |
|--|----|
| D | |
| Decal Placement..... | 20 |
| E | |
| End Plates..... | 24 |
| F | |
| Frame & Hitch..... | 6 |
| G | |
| Gauge Wheel Hydraulic..... | 26 |
| Gauge Wheel Manual..... | 28 |
| H | |
| Hub Assembly 4-Bolt W/ Zerk & Studs (815-092C)..... | 30 |
| Hydraulic Angling & Hydraulic Offset Cylinder Assembly..... | 12 |
| Hydraulic Cushion Valve..... | 32 |
| Hydraulic Cylinder (810-162C) Cross..... | 34 |
| Hydraulic Cylinder (810-162C) Midway..... | 36 |
| Hydraulic Cylinder (810-162C) Red Lion..... | 38 |
| Hydraulic Cylinder (810-558C) Cross..... | 14 |
| Hydraulic Cylinder (810-601C) Midway..... | 16 |
| Hydraulic Selector Valve..... | 40 |
| Hydraulic Tilting..... | 18 |
| M | |
| Manual Offset, Angling & Tilt..... | 8 |
| Moldboard..... | 10 |
| S | |
| Skid Shoe..... | 42 |
| T | |
| Touch-up Paints - LP..... | 22 |

General Information

Using This Manual

This manual is divided into sections. The first section contains General Information. The remaining sections divide the machine into segments (i.e. Frames, Drives, Hydraulics, etc.) which illustrate and list all parts. A Parts Number Index is located at the back of the book.

The Land Pride parts in this manual are specially designed for this machine and should be replaced with Land Pride parts only.

The information in this manual is current at time of printing. Some parts may change to assure top performance.

Right-hand and left-hand as used in this manual are determined by facing the direction the machine will travel while in use.

Below is an example of two facing pages from a parts manual. Familiarize yourself with the type of information contained on these pages.

Manual Replacement Information

Replacement manuals are available. Refer to our website at www.landpride.com or e-mail us at lit@landpride.com for additional information. Our website continues to provide the most up-to-date manuals available.

Touch-up Paint

Repaint parts where paint is worn or scratched to prevent rust. Aerosol cans and touch-up bottles with brush applicator are available through your local dealer. Also available are quart and gallon size paints. Add QT or GL to end of the Aerosol P/N.

Land Pride color descriptions and part numbers are listed on the "Land Pride Touch-up Paints" page in the "Decals" section of this book. Color options vary by product.



General Information

Hardware Legend

| | |
|-----------------|--|
| AR | As Required |
| BLADE | Blade Bolt |
| C | Cap Screw |
| CP | Cotter Pin |
| CPHSSS | Cup Point Hex Socket Set Screw |
| CPSHSS | Cup Point Square Head Set Screw |
| CPSQHSS | Cup Point Square Head Set Screw |
| CRFCHMS3 | Cross Recess Flat Countersunk Head Machine Screw |
| CRPHMS | Cross Recess Pan Head Machine Screw |
| CRPHTF | Cross Recess Pan Head Thread Forming |
| CRRHMS | Cross Recess Round Head Machine Screw |
| CRTHMS | Cross Recess Truss Head Machine Screw |
| CSNB | Countersunk Square Neck Bolt |
| FHMS | Flat Head Machine Screw |
| FTC | Full Thread Cap Screw |
| H | Hex Nut |
| HCLN | Hex Center Lock Nut |
| HFLCS | Hex Flange Lock Cap Screw |
| HFS | Hex Flange Screw |
| HFSLN | Hex Flange Serrated Lock Nut |
| HFSS | Hex Flange Serrated Screw |
| HHCS | Hex Head Cap Screw or Metric Bolt |
| HSBHCS | Hex Socket Button Head Cap Screw |
| HSFCHCS | Hex Socket Flat Countersunk Head Cap Screw |
| HSHCS | Hex Socket Head Cap Screw |
| HSSS | Hex Socket Head Screw |
| HTLN | Hex Top Lock Nut |
| HWHCS | Hex Washer Head Cap Screw |

| | |
|-----------------------|---|
| HWHMS | Hex Washer Head Machine Screw |
| HXBHCS | Hex Socket Button Head Cap Screw |
| J | Hex Jam Nut |
| JIC | 37 Degree Tapered Thread |
| L | Helical Spring Lock Washer |
| LUG | Lug Bolt |
| NFC | National Fine Cap Screw |
| NPSM | National Pipe Straight Mechanical |
| NPTF | National Pipe Taper Fuel |
| P | Wide Plain Washer |
| PHMS | Pan Head Machine Screw |
| PLOW | Plow Bolt |
| RHMS | Round Head Machine Screw |
| RHSNB | Round Head Square Neck Bolt |
| SCREW LEVELING | Leveling Screw |
| SCREW THUMB | Thumb Screw |
| SCREW WELD | Weld Screw |
| SFCHMS | Slotted Flat Countersunk Head Machine Screw |
| SFHMS | Slotted Fillister Head Machine Screw |
| SP | Special |
| SP SCREW | Special Screw |
| SQHSS | Square Head Set Screw |
| SRHMS | Slotted Round Head Machine Screw |
| SSS | Socket Set Screw |
| STCS | Self Tapping Cap Screw |
| STHMS | Slotted Truss Head Machine Screw |
| WHEEL | Wheel Studs and Hub Long Bolts |
| WING | Wing Bolt |

Replacement Hardware

The **Hardware Legend** above lists hardware abbreviations used in the parts list. All bolts and nuts are Grade 5 unless otherwise noted. The use of improper grades of hardware can result in personal injury, damage to equipment, or loss of property.

Colored Replacement Parts

Land Pride offers replacement parts in factory standard colors and also on select models in Green, Orange, Red and Blue. Because of the variety of colors available, special attention must be given to the part number to prevent ordering the wrong replacement part.

A suffix number corresponding to one of the colors below must be added at the end of Land Pride's part number when ordering a replacement part with that color.

81 Green 83 Red
82 Orange 84 Blue

For example, if you are ordering a replacement part with part number 555-555C and the part you need is red, then add the suffix 83 to the end of the number to make the part number read 555-555C83. Parts ordered without a suffix number will be supplied in factory standard colors.

Black Replacement Parts

Some parts are factory standard black and some must be special ordered black. If your part is special ordered black, a second part number with the additional suffix number 85 on the end will be available. In this situation you must order that part with the suffix number for it to be black. Parts that are factory standard black will not have the suffix number.

Part Number Service Coding

Within the parts list some part numbers are coded for revisions and interchangeability. See notations in revision column.

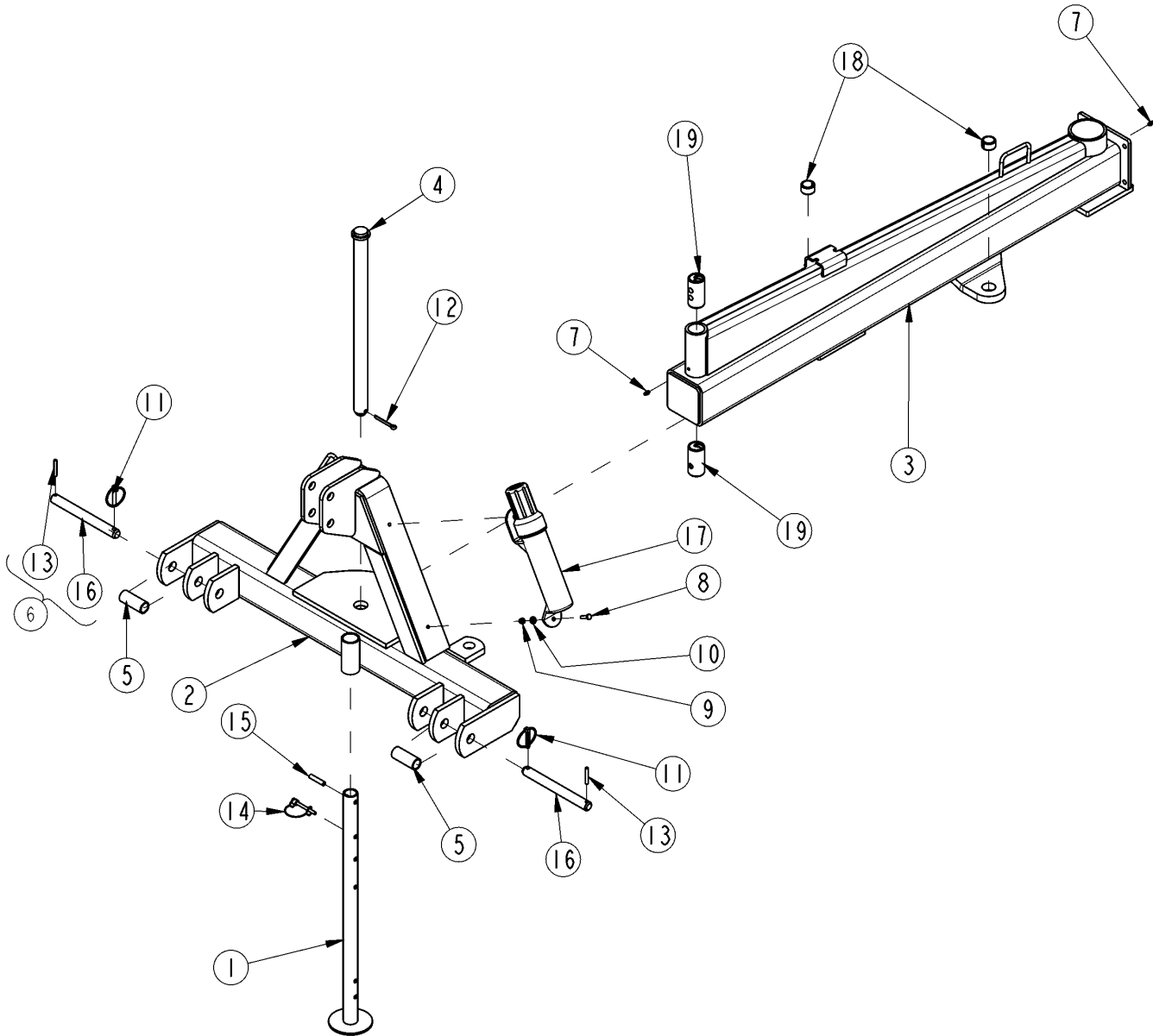
Serial Numbers

Always use the serial and model number when ordering parts. Refer to the Operator's Manual for serial number plate location.

- (S/N 20001+) Includes serial numbers 20001 and above (to the latest number)
- (S/N 10001 to 20000) Includes serial numbers between and including 10001 and 20000
- (S/N 10000-) Includes serial numbers 10000 and below (to the earliest number)

Frame & Hitch

Applies to RBT3572, RBT3584, RBT3596



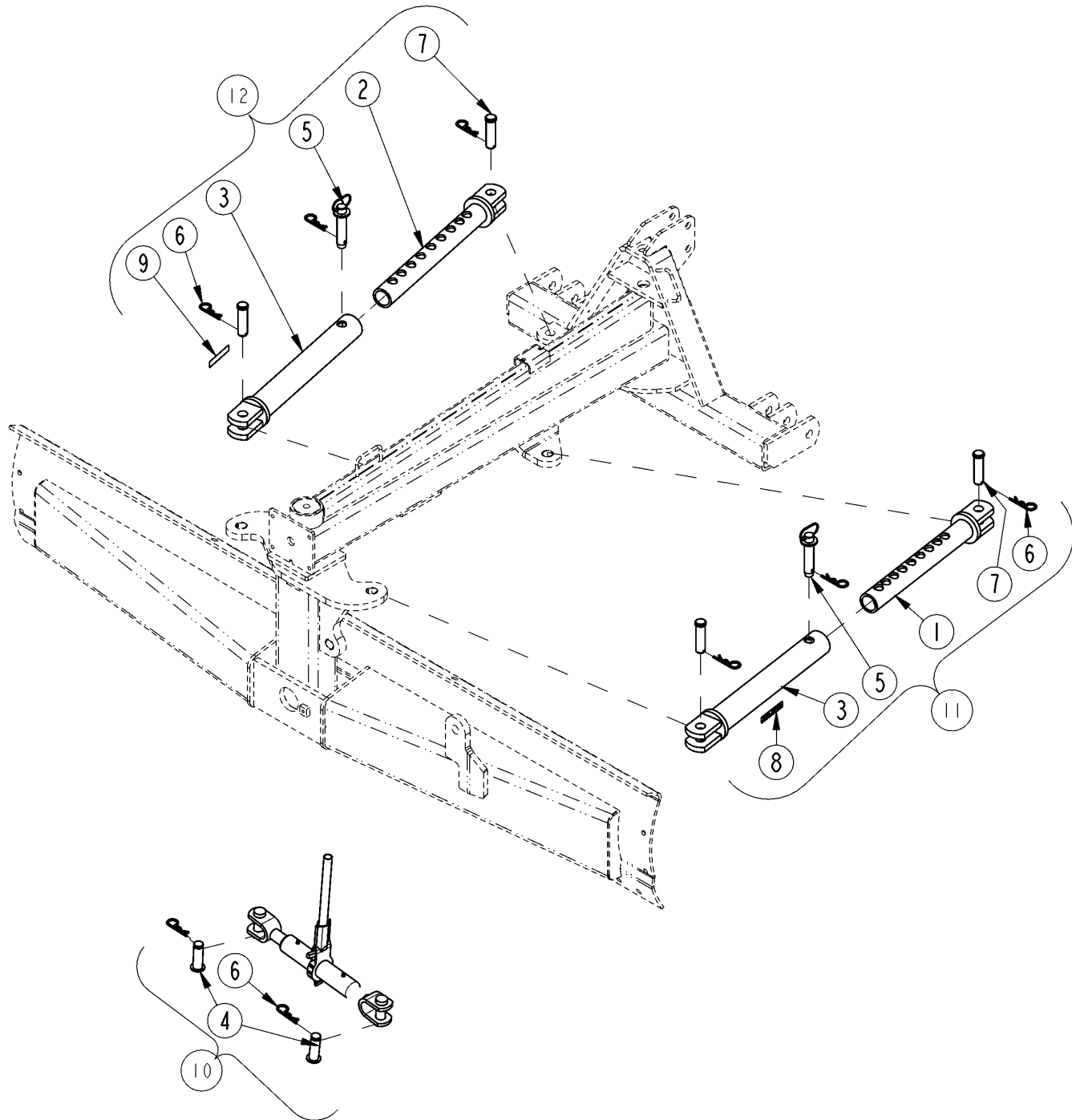
24805

Frame & Hitch**Applies to RBT3572, RBT3584, RBT3596**

| Ref | Part No. | Part Description | Comments | Revision |
|------------|-----------------|--------------------------------|-----------------|-----------------|
| | dwg24805 | Drawing Image Number | | |
| 1. | 300-171H | SUPPORT STAND LR & RB35/25/15 | | |
| 2. | 300-210H | HITCH WELDMENT RBT35 | | |
| 2. | 300-210H81 | HITCH WELDMENT RBT35 GREEN | | |
| 2. | 300-210H82 | HITCH WELDMENT RBT35 ORANGE | | |
| 3. | 300-212H | REAR FRAME WELDMENT | | |
| 3. | 300-212H81 | REAR FRAME WELDMENT GREEN | | |
| 3. | 300-212H82 | REAR FRAME WELDMENT ORANGE | | |
| 4. | 300-213H | FRONT PIVOT SHAFT WELDMENT | | |
| 5. | 300-296D | BUSHING | | |
| 6. | 305-067S | LOWER HITCH PIN ASSY | | |
| 7. | 800-080C | GREASE ZERK 1/4-28 THD FORMING | | |
| 8. | 802-224C | HHCS 1/4-20X1 1/4 GR5 | | |
| 9. | 803-255C | NUT HEX NYLOCK 1/4-20 | | |
| 10. | 804-007C | WASHER FLAT 1/4 SAE PLT | | |
| 11. | 805-015C | PIN LINCH 5/16 X 1 3/4 | | |
| 12. | 805-021C | PIN COTTER 1/4 X 2 PLT | | |
| 13. | 805-041C | PIN ROLL 1/4X1 3/4 | | |
| 14. | 805-065C | PIN WIRE RETAINING 1/4 X 1 3/4 | | |
| 15. | 805-161C | PIN ROLL 3/8 X 1 3/4 LG PLT | | |
| 16. | 805-272C | PIN 7/8 OD X 7 5/16 USABLE | | |
| 17. | 816-504C | MANUAL STORAGE CONTAINER | | |
| 18. | 890-143C | BUSHING HARDENED 1 1/4-1-3/4 L | | |
| 19. | 890-389C | BUSHING 1.50ODX1.25IDX2.94 | | |

Manual Offset, Angling & Tilt

Applies to RBT3572, RBT3584, RBT3596



24807

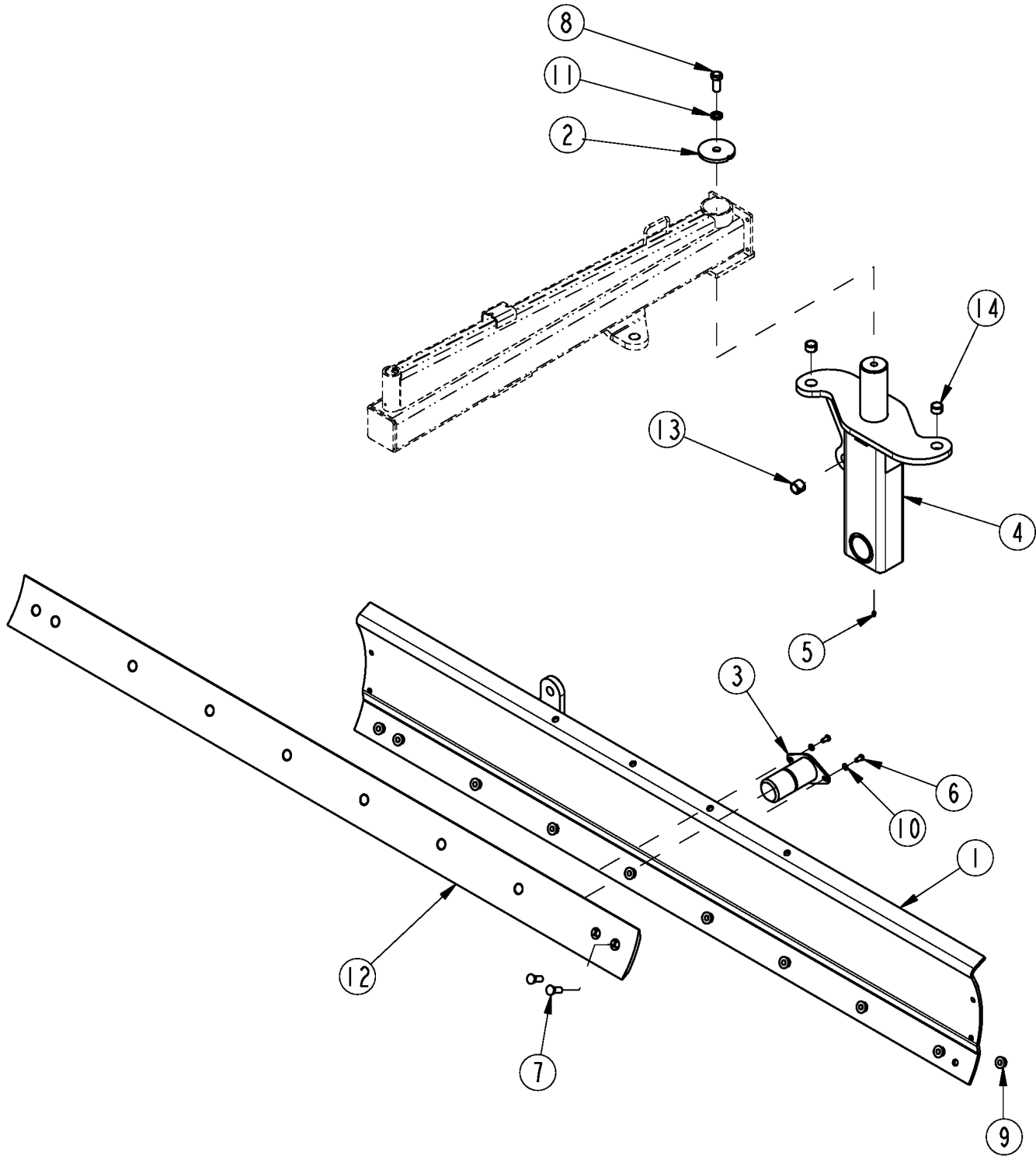
Manual Offset, Angling & Tilt

Applies to RBT3572, RBT3584, RBT3596

| Ref | Part No. | Part Description | Comments | Revision |
|------------|-----------------|--------------------------------|-----------------|-----------------|
| | dwg24807 | Drawing Image Number | | |
| 1. | 300-220H | LINK, MANUAL WELDMENT-MALE | | |
| 2. | 300-222H | LINK, MANUAL WELDMENT-MALE | | |
| 3. | 300-223H | LINK, MANUAL WELDMENT-FEMALE | | |
| 4. | 805-004C | PIN CLEVIS 1 X 2 3/4 USABLE LG | | |
| 5. | 805-007C | PIN HITCH 1 X 3 3/8 USABLE LG | | |
| 6. | 805-088C | PIN, HAIR COTTER 3/16 WIRE DIA | | |
| 7. | 805-090C | PIN CLEVIS 1 X 3 3/16 LG | | |
| 8. | 848-084C | DECAL 300-224A, RBT35 ANGLING | | |
| 9. | 848-085C | DECAL 300-217A, RBT35 OFFSET | | |
| 10. | 890-637C | RATCHET JACK 16.25 - 22.25 | | |
| 11. | 300-224A | T35 MANUAL ANGLING LINK ASSY | | |
| 12. | 300-217A | T35 MANUAL OFFSET LINK ASSY | | |

Moldboard

Applies to RBT3572, RBT3584, RBT3596



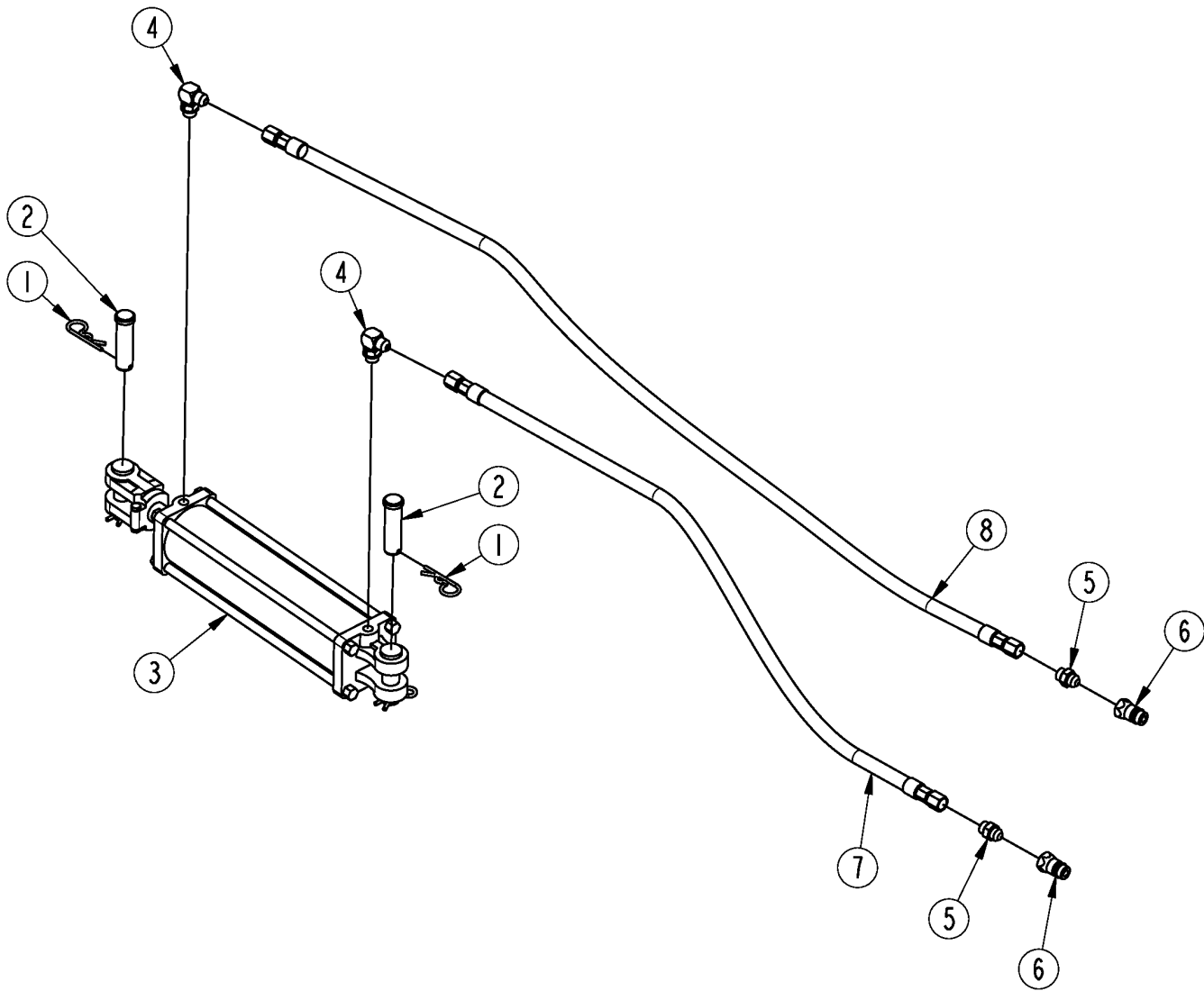
24806

Moldboard**Applies to RBT3572, RBT3584, RBT3596**

| Ref | Part No. | Part Description | Comments | Revision |
|-----|-----------|--------------------------------|---|----------|
| | Dwg 24806 | Drawing Image Number | | |
| 1. | 301-323H | 8' -35 T SERIES BLADE WLDMENT | S/N 633630+ | |
| 1. | 301-243H | RPBY 301-323H | S/N 633629- | |
| 1. | 301-322H | 7' -35 T SERIES BLADE WLDMENT | S/N 633630+ | |
| 1. | 301-255H | RPBY 301-322H | S/N 633629- | |
| 1. | 301-257H | RBT3572 BLADE WELDMENT | | |
| 2. | 301-240D | 40 PIVOT CAP | S/N 911765+ | |
| 2. | 301-303D | RETAINER CAP | S/N 911764- | |
| 3. | 301-246H | ANGLING PIN WELDMENT | At S/N 793254+ this pin has 2 bolt holes. At S/N 793253- the pin had 1 Bolt hole. | |
| 4. | 301-250H | STEM WELDMENT | | |
| 5. | 800-080C | GREASE ZERK 1/4-28 THD FORMING | | |
| 6. | 802-014C | HHCS 3/8-16X3/4 GR5 | | |
| 7. | 802-206C | PLOW 5/8-11X1 3/4 GR5 | | |
| 8. | 802-292C | HHCS 3/4-16X1 3/4 GR5 | | |
| 9. | 803-304C | NUT HEX WHIZ 5/8-11 PLT | S/N 815206+ | |
| 9. | 803-263C | NUT HEX FLANGE LOCK 5/8-11 | S/N 815205- | |
| 10. | 804-013C | WASHER LOCK SPRING 3/8 PLT | | |
| 11. | 804-023C | WASHER LOCK SPRING 3/4 PLT | | |
| 12. | 820-035C | GRADER BLADE 1/2 X 6 X 95 1/2 | | |
| 12. | 820-046C | GRADER BLADE 1/2 X 6 X 83 1/2 | | |
| 12. | 820-043C | GRADER BLADE 1/2 X 6 X 71 1/2 | | |
| 13. | 890-005C | BUSHING CYL 1 1/4 X 1 X 1 | | |
| 14. | 890-143C | BUSHING HARDENED 1 1/4-1-3/4 L | | |

Hydraulic Angling & Hydraulic Offset Cylinder Assembly

Applies to RBT3572, RBT3584, RBT3596



76002

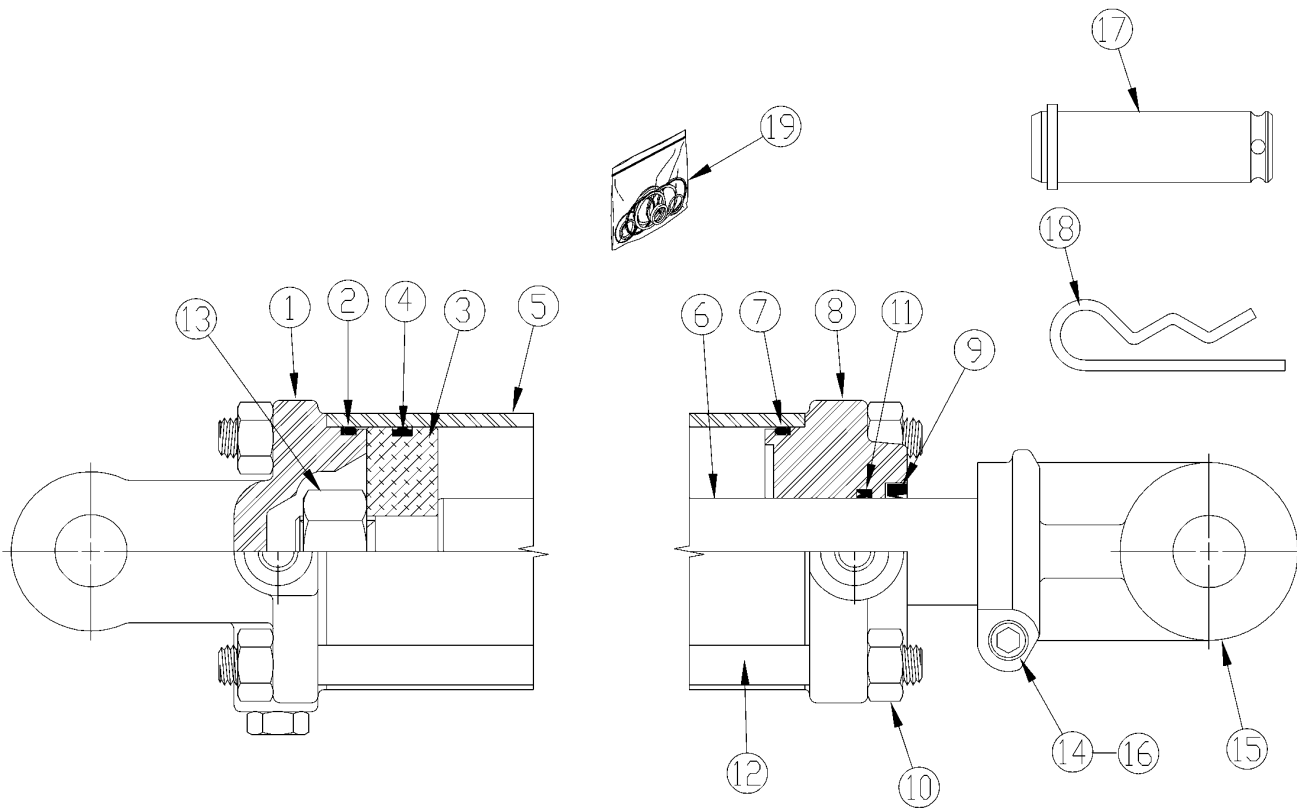
Hydraulic Angling & Hydraulic Offset Cylinder Assembly

Applies to RBT3572, RBT3584, RBT3596

| Ref | Part No. | Part Description | Comments | Revision |
|------------|-----------------------|---|-----------------|-----------------|
| | Dwg 76002 300-216A | Drawing Image Number T35 HYD OFFSET&ANGL CYL ASSY * | | |
| 1. | 805-088C | PIN, HAIR COTTER 3/16 WIRE DIA | | |
| 2. | 805-090C | PIN CLEVIS 1 X 3 3/16 LG | | |
| 3. | 810-558C | CYL 3.5X14X1.25 ROD (TIE ROD) | | |
| 4. | 811-063C | EL 3/4MJIC 3/4MORB | | |
| 5. | 811-088C | AD 3/4MORB 3/4MJIC | | |
| 6. | 811-394C | CP 3/4FORB MALE QD POPPET TYPE | | |
| 7. | 811-985C | HH3/8R2 078 3/4FJIC | | |
| 8. | 841-006C | HH3/8R2 087 3/4FJIC | | |

Hydraulic Cylinder (810-558C) Cross

Applies to RBT3572, RBT3584, RBT3596

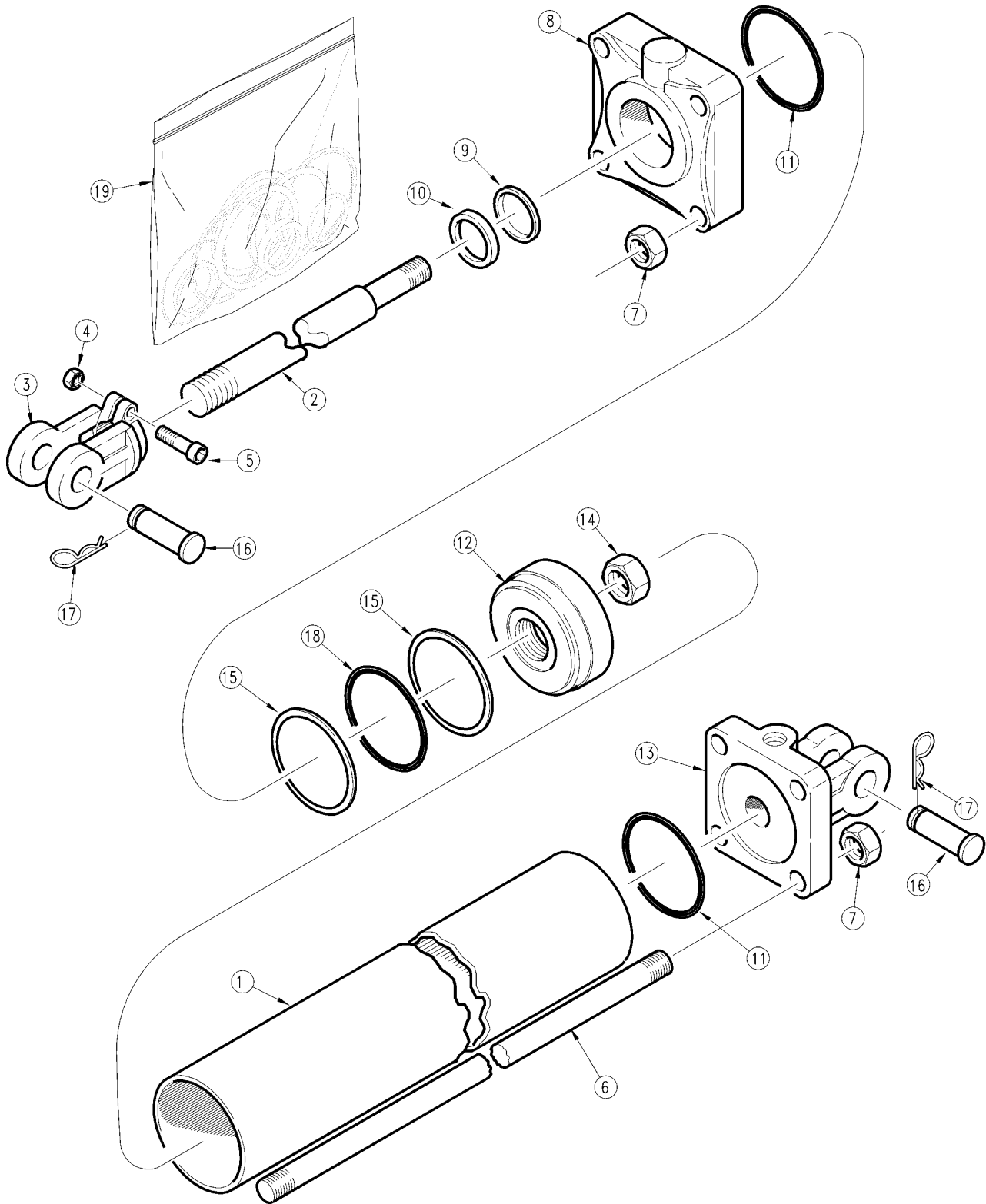


Hydraulic Cylinder (810-558C) Cross**Applies to RBT3572, RBT3584, RBT3596**

| Ref | Part No. | Part Description | Comments | Revision |
|------------|-----------------------|--|------------------|-----------------|
| | Dwg 24811 810-558C | Drawing Image Number CYL 3.5X14X1.25 ROD (TIE ROD) * | | |
| 1. | 4C2452 | CROSS BASE CLEVIS | | |
| 2. | N/A | CROSS O-RING | Only In Seal Kit | |
| 3. | 4C4368 | CROSS PISTON | | |
| 4. | N/A | CROSS CROWN SEAL | Only In Seal Kit | |
| 5. | 1D0009-1612 | CROSS TUBE | | |
| 6. | 4C5634 | CROSS ROD | | |
| 7. | N/A | CROSS BACKUP | Only In Seal Kit | |
| 8. | 4C4367 | CROSS HEAD | | |
| 9. | N/A | WIPER SEAL CROSS | Only In Seal Kit | |
| 10. | 2A0236-9 | TIE ROD NUT CROSS | | |
| 11. | N/A | CROSS U-CUP | Only In Seal Kit | |
| 12. | 2A0581-1900 | CROSS TIE ROD | | |
| 13. | 2A0246-16 | NUT CROSS | | |
| 14. | 2A0079-616 | CROSS SCREW, CAP | | |
| 15. | 1D1013-5 | ROD CLEVIS | | |
| 16. | 2A0235-6 | CROSS NUT, CLEVIS & TIE ROD | | |
| 17. | 1D1582-16300 | CROSS CLEVIS PIN | | |
| 18. | 805-032C | PIN HAIR COTTER .148 WIRE | | |
| 19. | 850-356C | CROSS SEAL KIT | | |

Hydraulic Cylinder (810-601C) Midway

Applies to RBT3572, RBT3584, RBT3596



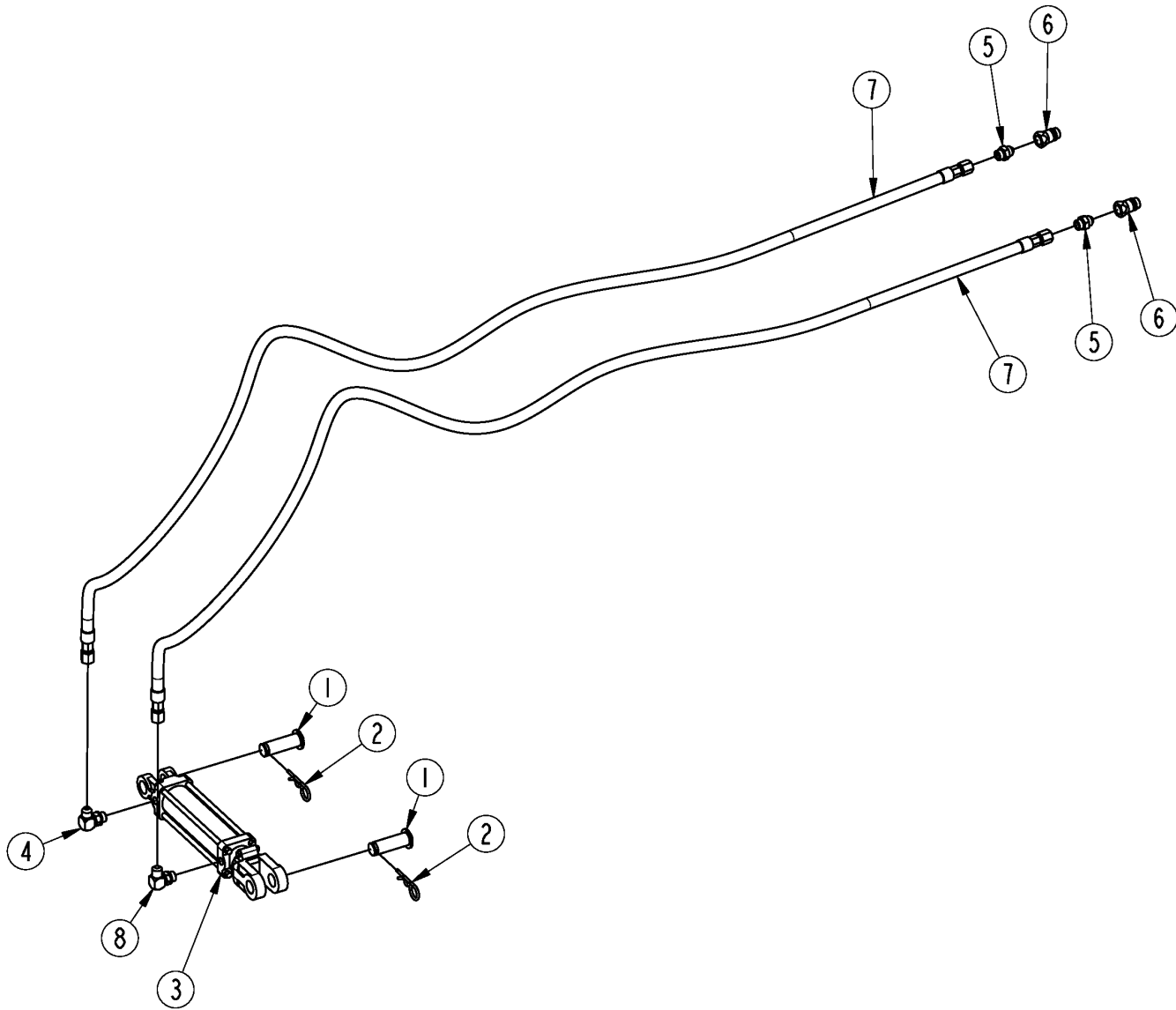
24812

Hydraulic Cylinder (810-601C) Midway**Applies to RBT3572, RBT3584, RBT3596**

| Ref | Part No. | Part Description | Comments | Revision |
|------------|-----------------|----------------------------------|----------------------|-----------------|
| | Dwg 24812 | Drawing Image Number | | |
| | 810-601C | CYL 2X6X1.125 ROD (TIE ROD) * | | |
| 1. | 5M2114 | MIDWAY TUBE | | |
| 2. | 2M2312 | MIDWAY ROD | | |
| 3. | 1M6006-ADI | MIDWAY HARDENED CLEVIS ADI | | |
| 4. | 803-234C | NUT HEX 3/8-16 PLAIN | | |
| 5. | 802-023C | HHCS 3/8-16X1 3/4 GR5 | | |
| 6. | 7M2314 | MIDWAY TIE ROD | | |
| 7. | 803-234C | NUT HEX 3/8-16 PLAIN | | |
| 8. | 3R0124 | MW HEAD | | |
| 9. | N/A | * | Only in seat kit #19 | |
| 10. | N/A | * | Only in seat kit #19 | |
| 11. | N/A | * | Only in seat kit #19 | |
| 12. | 4M2108 | MW PISTON | | |
| 13. | 6R0062 | MIDWAY BASE | | |
| 14. | 803-114C | NUT LOCK 3/4-16 NYLOC COLLAR | | |
| 15. | N/A | * | Only in seat kit #19 | |
| 16. | 805-004C | PIN CLEVIS 1 X 2 3/4 USABLE LG | | |
| 17. | 805-088C | PIN, HAIR COTTER 3/16 WIRE DIA | | |
| 18. | N/A | * | Only in seat kit #19 | |
| 19. | 810-310C | SEAL KIT MW 5A2104 | | |

Hydraulic Tilting

Applies to RBT3572, RBT3584, RBT3596



76003

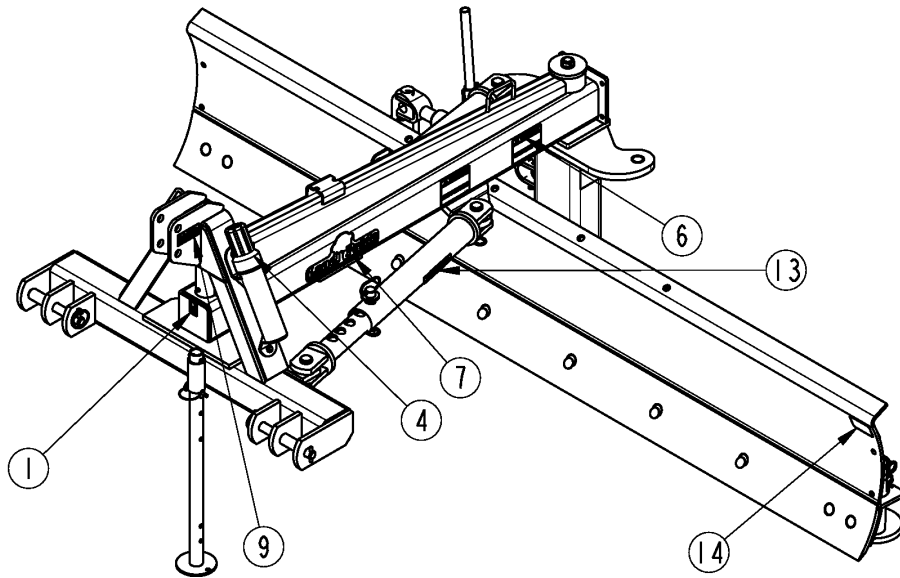
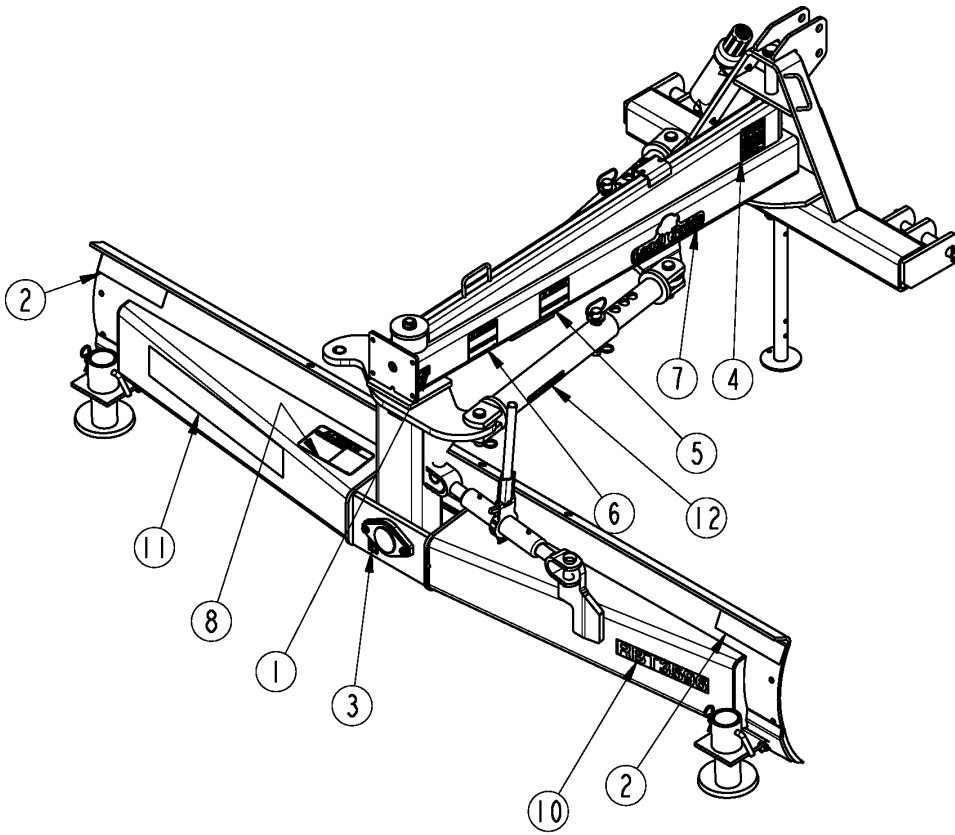
Hydraulic Tilting

Applies to RBT3572, RBT3584, RBT3596

| Ref | Part No. | Part Description | Comments | Revision |
|------------|-----------------------|--|-----------------|-----------------|
| | Dwg 76003 300-225A | Drawing Image Number T35 HYD TILT CYL ASSY * | | |
| 1. | 805-004C | PIN CLEVIS 1 X 2 3/4 USABLE LG | | |
| 2. | 805-088C | PIN, HAIR COTTER 3/16 WIRE DIA | | |
| 3. | 810-601C | CYL 2X6X1.125 ROD (TIE ROD) | | |
| 4. | 811-063C | EL 3/4MJIC 3/4MORB | | |
| 5. | 811-088C | AD 3/4MORB 3/4MJIC | | |
| 6. | 811-394C | CP 3/4FORB MALE QD POPPET TYPE | | |
| 7. | 811-953C | HH3/8R2 129 3/4FJIC | | |
| 8. | 841-205C | OREL 1/32 3/4MJIC 3/4MORB | | |

Decal Placement

Applies to RBT3572, RBT3584, RBT3596



24810

Decal Placement**Applies to RBT3572, RBT3584, RBT3596**

| Ref | Part No. | Part Description | Comments | Revision |
|------------|-----------------|--------------------------------|--------------------------------|-----------------|
| | Dwg 24810 | Drawing Image Number | | |
| 1. | 818-298C | DECAL GREASE 25HRS BLACK/WHITE | | |
| 2. | 838-614C | DECAL REFLECTOR RED 2X9 | S/N 821694+ | |
| 2. | 818-230C | DECAL RED REFLECTOR | S/N 821693- | |
| 3. | 818-298C | DECAL GREASE 25HRS BLACK/WHITE | | |
| 4. | 818-339C | DECAL WARNING HIGH PRESSUR SML | | |
| 5. | 818-487C | DECAL WARNING AVOID INJURY | | |
| 6. | 818-491C | DECAL WARNING PINCH/SHEAR | | |
| 7. | 818-890C | RPBY 838-963C | Beige Unit | |
| 7. | 838-963C | DECAL LP 10" W/TREE BROWN/GOLD | Green & Orange Unit | |
| 8. | 838-075C | DECAL CAUTION RBT MBOARD FALL | | |
| 9. | 838-517C | DECAL QUICK HITCH SYSTEM | | |
| 10. | 838-941C | DECAL RBT3596-BEIGE | | |
| 10. | 838-942C | DECAL RBT3584-BEIGE | | |
| 10. | 838-943C | DECAL RBT3572-BEIGE | | |
| 11. | 838-966C | DECAL LANDPRIDE 22" BROWN/GOLD | | |
| 12. | 848-084C | DECAL 300-224A, RBT35 ANGLING | | |
| 13. | 848-085C | DECAL 300-217A, RBT35 OFFSET | | |
| 14. | 818-229C | DECAL AMBER REFLECTOR | (S/N 710350 to 821693) RBT3596 | |

Touch-up Paints - LP

Applies to RBT3572, RBT3584, RBT3596

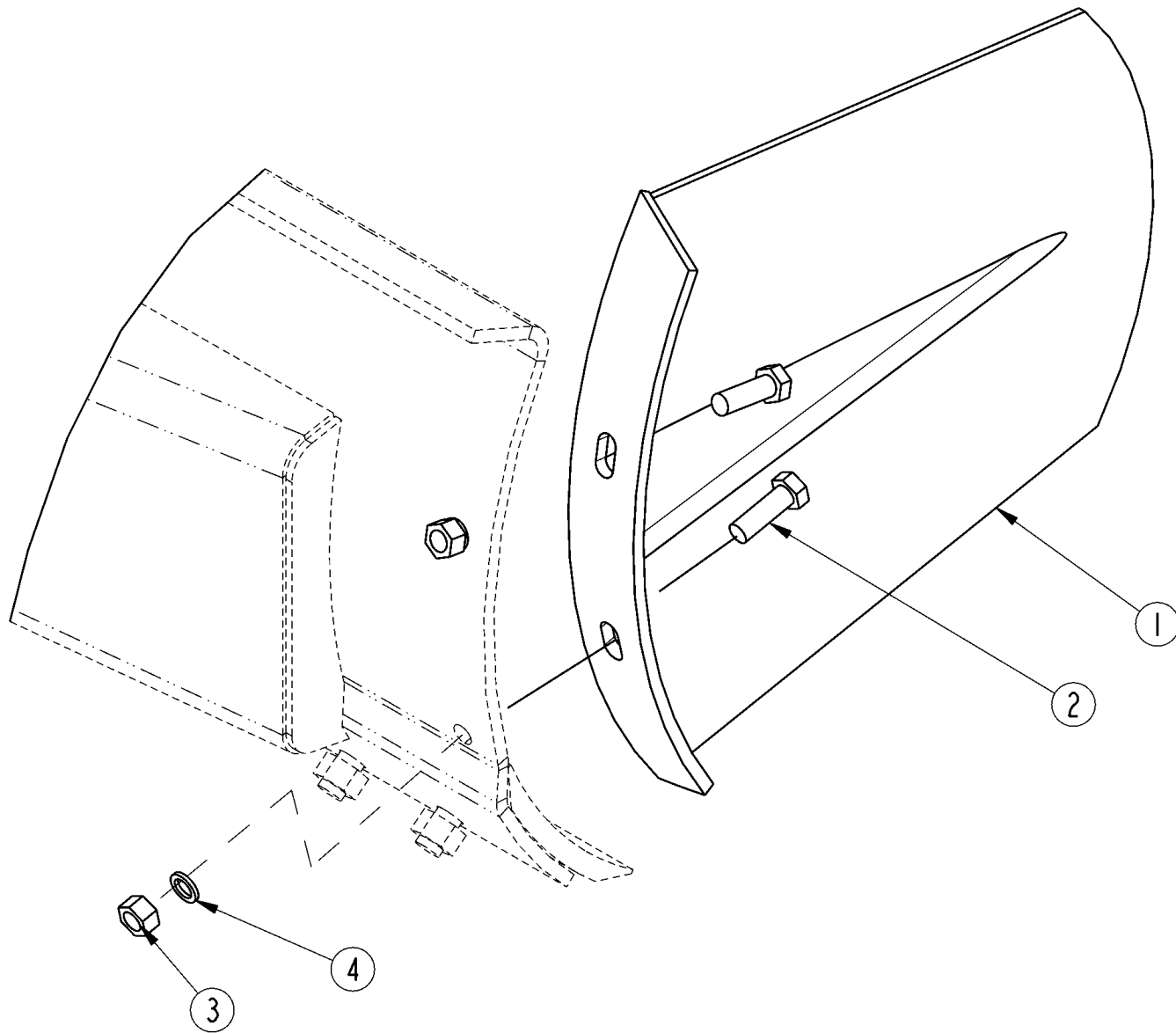
No diagram associated with this Parts List

Touch-up Paints - LP**Applies to RBT3572, RBT3584, RBT3596**

| Ref | Part No. | Part Description | Comments | Revision |
|------------|-----------------|-------------------------------|----------------------------|-----------------|
| 1. | 821-011C | LP BEIGE SPRAY CAN | Spray can | |
| 1. | 821-011CTU | LP BEIGE TOUCH-UP 5OZ | Touch-up bottle with brush | |
| 1. | 821-011CQT | LP BEIGE QUART | Quart can | |
| 1. | 821-011CGL | LP BEIGE GALLON | Gallon can | |
| 2. | 821-070C | GLOSS BLACK SPRAY CAN | Spray can | |
| 2. | 821-070CTU | GLOSS BLACK TOUCH-UP 5OZ | Touch-up bottle with brush | |
| 2. | 821-070CQT | GLOSS BLACK QUART | Quart can | |
| 2. | 821-070CGL | GLOSS BLACK GALLON | Gallon can | |
| 3. | 821-054C | MED. RED SPRAY TRCK/CTR | Spray can | |
| 3. | 821-054CTU | MED RED TOUCH-UP 5OZ | Touch-up bottle with brush | |
| 3. | 821-054CQT | MED RED QUART | Quart can | |
| 3. | 821-054CGL | MED RED GALLON | Gallon can | |
| 4. | 821-058C | GREEN SPRAY CUTTERS | Spray can | |
| 4. | 821-058CTU | GREEN TOUCH-UP 5OZ | Touch-up bottle with brush | |
| 4. | 821-058CQT | GREEN QUART | Quart can | |
| 4. | 821-058CGL | GREEN GALLON | Gallon can | |
| 5. | 821-066C | ORANGE SPRAY CAN | Spray can | |
| 5. | 821-066CTU | ORANGE TOUCH-UP 5OZ | Touch-up bottle with brush | |
| 5. | 821-066CQT | ORANGE QUART | Quart can | |
| 5. | 821-066CGL | ORANGE GALLON | Gallon can | |
| 6. | 821-067C | BLUE SPRAY CAN | Spray can | |
| 6. | 821-067CTU | BLUE TOUCH-UP 5OZ | Touch-up bottle with brush | |
| 6. | 821-067CQT | BLUE QUART | Quart can | |
| 6. | 821-067CGL | BLUE GALLON | Gallon can | |
| 7. | 821-080C | PAINT ALUMINUM/ZINC SPRAY CAN | Spray can | |
| 7. | 821-080CTU | PAINT ALUMINUM/ZINC TOUCH UP | Touch-up bottle with brush | |
| 7. | 821-080CQT | PAINT ALUMINUM/ZINC QUART | Quart can | |
| 7. | 821-080CGL | PAINT ALUMINUM/ZINC GALLON | Gallon can | |

End Plates

Applies to RBT3572, RBT3584, RBT3596



24809

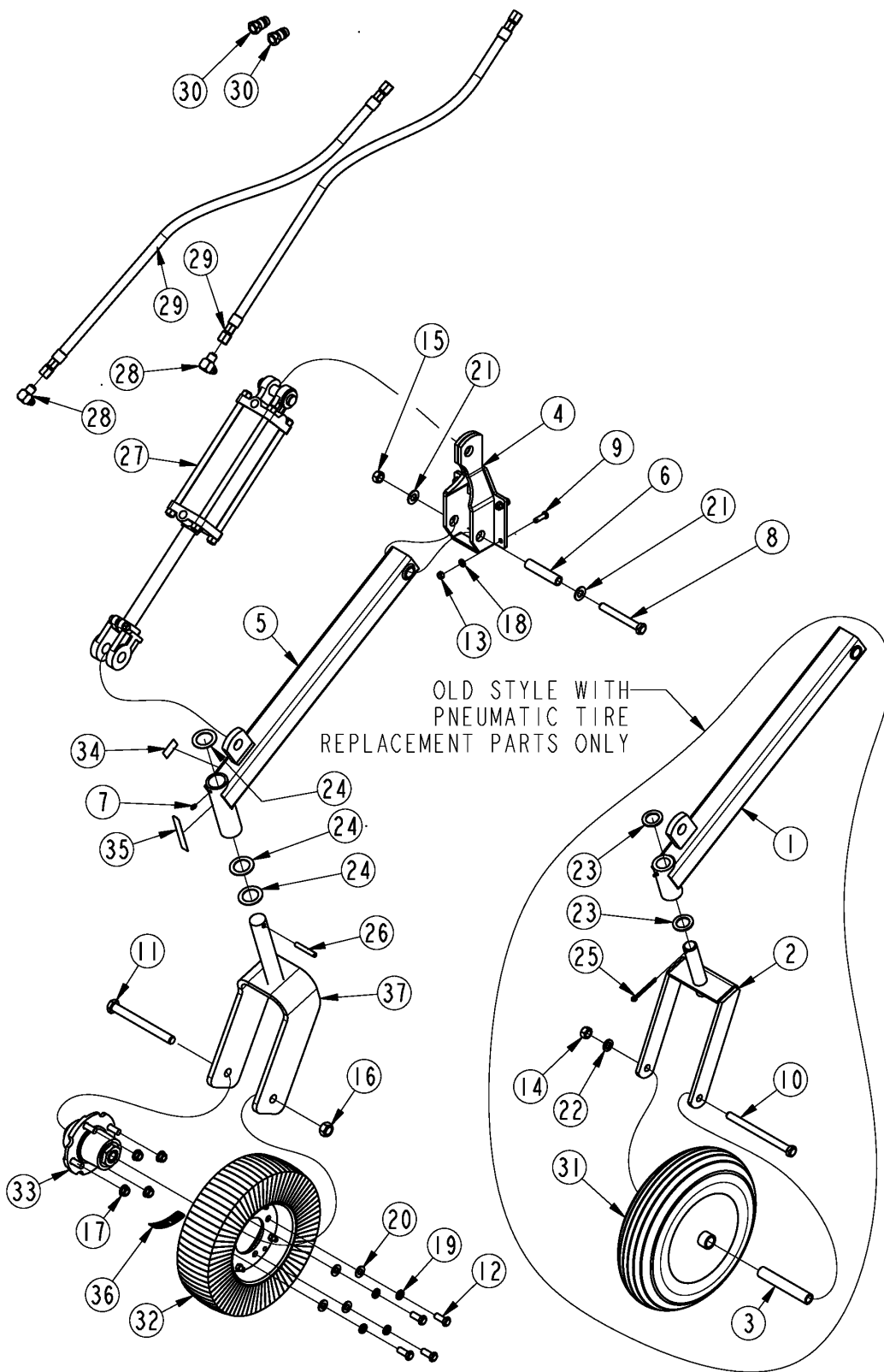
End Plates

Applies to RBT3572, RBT3584, RBT3596

| Ref | Part No. | Part Description | Comments | Revision |
|------------|-----------------|-------------------------|-----------------|-----------------|
| | dwg24809 | Drawing Image Number | | |
| | 301-010A | SIDE PLATE - PAIR * | | |
| 1. | 301-011H | SIDE PLATE WELDMENT | | |
| 2. | 802-091C | HHCS 1/2-13X1 1/2 GR5 | | |
| 3. | 803-020C | NUT HEX 1/2-13 PLT | | |
| 4. | 804-065C | WASHER INT-EXT 1/2 PLT | | |

Gauge Wheel Hydraulic

Applies to RBT3572, RBT3584, RBT3596



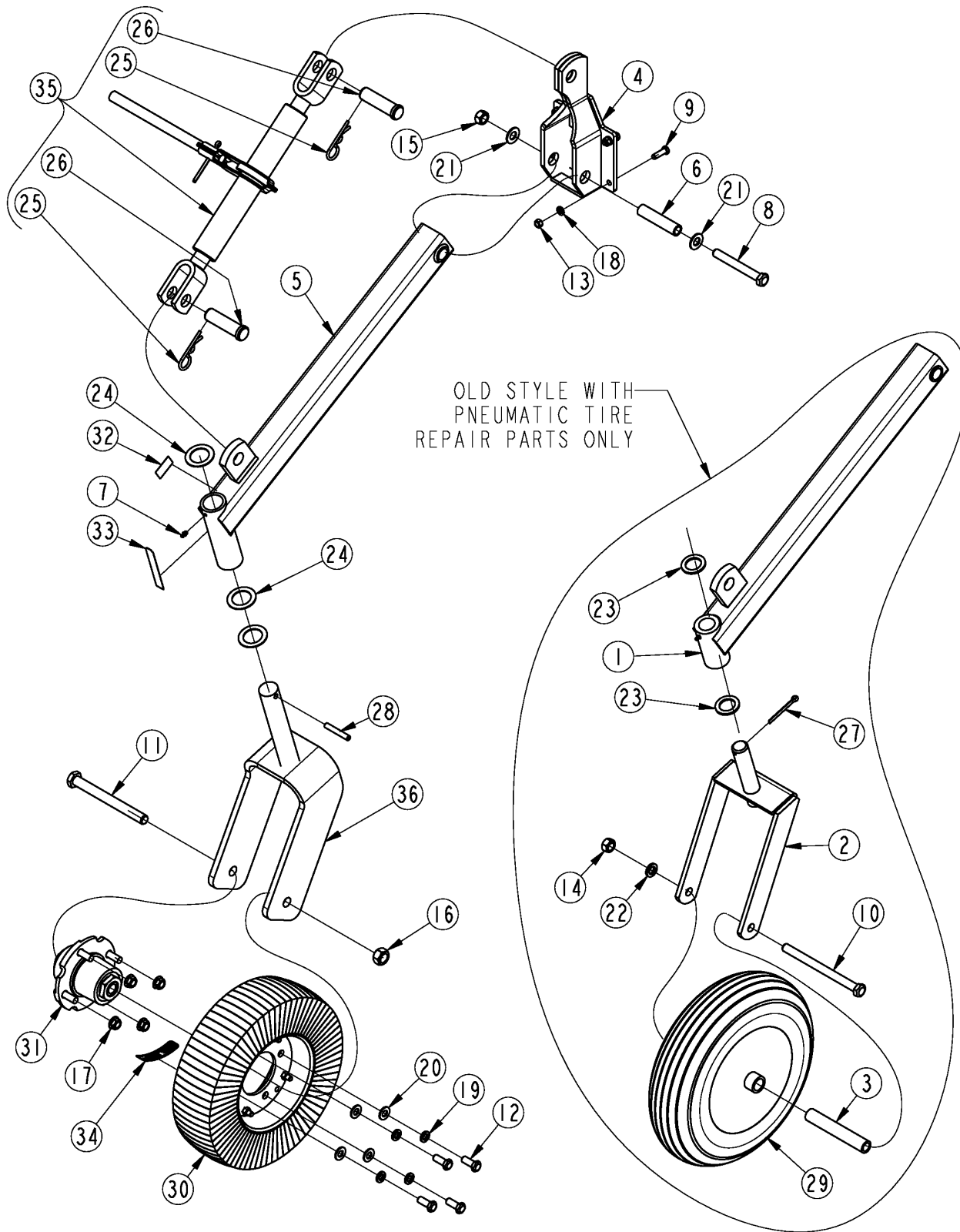
24813

Gauge Wheel Hydraulic**Applies to RBT3572, RBT3584, RBT3596**

| Ref | Part No. | Part Description | Comments | Revision |
|-----|-----------------------|--|-----------|----------|
| | Dwg 24813 300-219A | Drawing Image Number RBT35 BLADE SINGLE GW * | | |
| 1. | 300-016H | ARM WELDMENT | OLD STYLE | |
| 2. | 300-017H | YOKE WELDMENT | OLD STYLE | |
| 3. | 300-050D | SINGLE GAUGE WHEEL SLEEVE | OLD STYLE | |
| 4. | 300-218H | TAIL WHEEL MOUNT WLDMT RBT35 | | |
| 5. | 300-277H | GW ARM WELDMENT - RBT35 | | |
| 6. | 300-375D | TB RD DOM. 7/8ODX11GWLX3 15/16 | | |
| 7. | 800-080C | GREASE ZERK 1/4-28 THD FORMING | | |
| 8. | 802-062C | HHCS 5/8-11X5 GR5 | | |
| 9. | 802-079C | HHCS 3/8-16X1 1/4 GR5 | | |
| 10. | 802-208C | HHCS 5/8-11X8 GR5 | OLD STYLE | |
| 11. | 802-280C | HHCS 3/4-10X7 1/2 GR5 | | |
| 12. | 802-326C | HHCS 1/2-20X1 1/4 GR5 | | |
| 13. | 803-014C | NUT HEX 3/8-16 PLT | | |
| 14. | 803-021C | NUT HEX 5/8-11 PLT | | |
| 15. | 803-024C | NUT LOCK 5/8-11 PLT | | |
| 16. | 803-026C | NUT LOCK 3/4-10 PLT | | |
| 17. | 803-308C | NUT HEX FLG/LK 1/2-20 PLT GR G | | |
| 18. | 804-013C | WASHER LOCK SPRING 3/8 PLT | | |
| 19. | 804-015C | WASHER LOCK SPRING 1/2 PLT | | |
| 20. | 804-016C | WASHER FLAT 1/2 SAE PLT | | |
| 21. | 804-021C | WASHER FLAT 5/8 SAE PLT | | |
| 22. | 804-022C | WASHER LOCK SPRING 5/8 PLT | OLD STYLE | |
| 23. | 804-062C | WASHER MACH 1.88 X 1.25 X 10GA | OLD STYLE | |
| 24. | 804-066C | WASHER MACH 2.25 X 1.50 X 14GA | | |
| 25. | 805-105C | PIN COTTER 1/4 X 2 1/2 PLT | OLD STYLE | |
| 26. | 805-255C | PIN ROLL 3/8 X 2 1/2 PLT | | |
| 27. | 810-162C | CYL 3.5X8X1.25 ROD (TIE ROD) | | |
| 28. | 811-063C | EL 3/4MJIC 3/4MORB | | |
| 29. | 811-247C | HH3/8R2 116 3/4FJIC | | |
| 30. | 811-394C | CP 3/4FORB MALE QD POPPET TYPE | | |
| 31. | 814-039C | WHEEL & TIRE PNEU 4.8/4.00 X 8 | OLD STYLE | |
| 32. | 814-058C | TIRE & WHEEL LAMINATED 4.0 X 8 | | |
| 33. | 815-092C | HUB & SPINDLE ASSY 4 BOLT | | |
| 34. | 818-298C | DECAL GREASE 25HRS BLACK/WHITE | | |
| 35. | 818-335C | DECAL RED NARROW REFLECTOR | | |
| 36. | 818-681C | DECAL NOTICE - 20 MPH MAX | | |
| 37. | 890-961C | RC25 TAILWHEEL YOKE, 1.5 SHAFT | | |

Gauge Wheel Manual

Applies to RBT3572, RBT3584, RBT3596



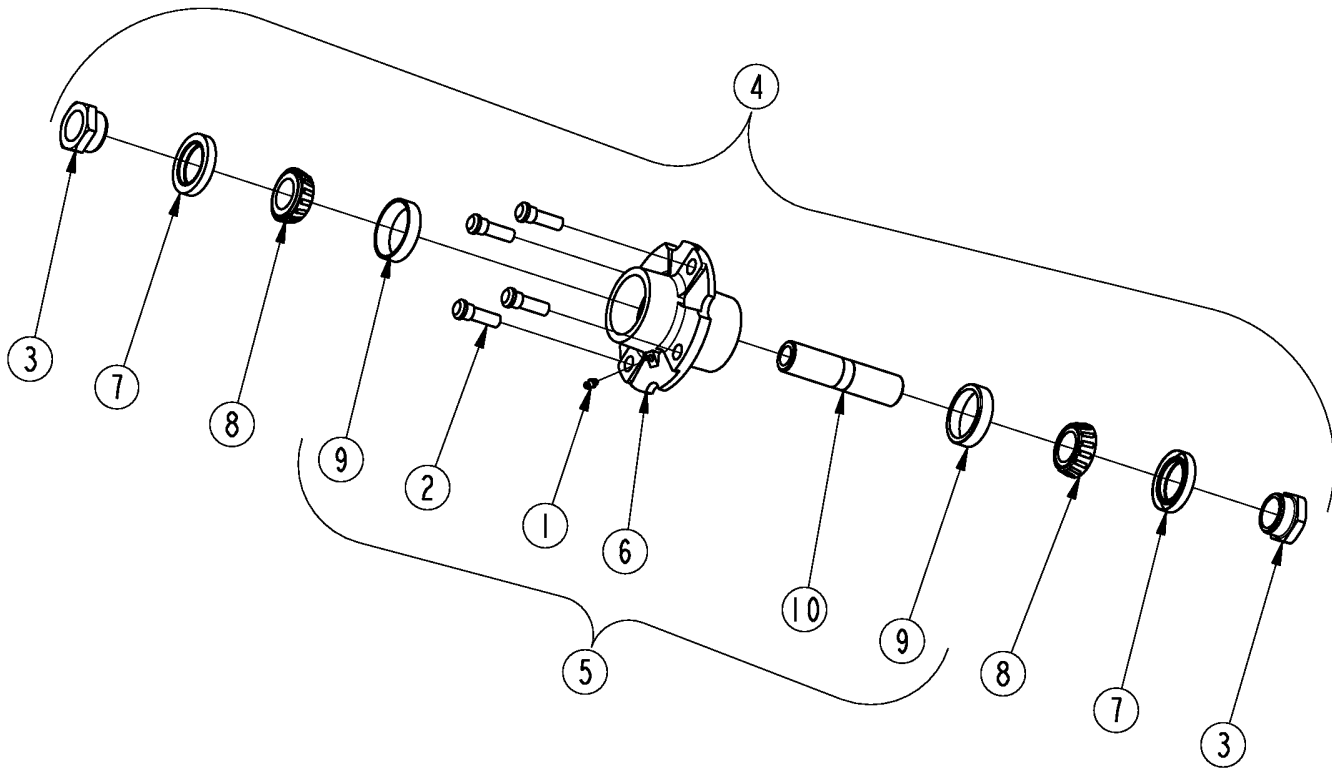
24906

Gauge Wheel Manual**Applies to RBT3572, RBT3584, RBT3596**

| Ref | Part No. | Part Description | Comments | Revision |
|-----|----------|--------------------------------|-----------|----------|
| | dwg24906 | Drawing Image Number | | |
| | 300-227A | MANUAL GAGE WHEEL ASSY * | | |
| 1. | 300-016H | ARM WELDMENT | OLD STYLE | |
| 2. | 300-017H | YOKE WELDMENT | OLD STYLE | |
| 3. | 300-050D | SINGLE GAUGE WHEEL SLEEVE | OLD STYLE | |
| 4. | 300-218H | TAIL WHEEL MOUNT WLDMT RBT35 | | |
| 5. | 300-277H | GW ARM WELDMENT - RBT35 | | |
| 6. | 300-375D | TB RD DOM. 7/8ODX11GWLX3 15/16 | | |
| 7. | 800-080C | GREASE ZERK 1/4-28 THD FORMING | | |
| 8. | 802-062C | HHCS 5/8-11X5 GR5 | | |
| 9. | 802-079C | HHCS 3/8-16X1 1/4 GR5 | | |
| 10. | 802-208C | HHCS 5/8-11X8 GR5 | OLD STYLE | |
| 11. | 802-280C | HHCS 3/4-10X7 1/2 GR5 | | |
| 12. | 802-326C | HHCS 1/2-20X1 1/4 GR5 | | |
| 13. | 803-014C | NUT HEX 3/8-16 PLT | | |
| 14. | 803-021C | NUT HEX 5/8-11 PLT | OLD STYLE | |
| 15. | 803-024C | NUT LOCK 5/8-11 PLT | | |
| 16. | 803-026C | NUT LOCK 3/4-10 PLT | | |
| 17. | 803-308C | NUT HEX FLG/LK 1/2-20 PLT GR | | |
| 18. | 804-013C | WASHER LOCK SPRING 3/8 PLT | | |
| 19. | 804-015C | WASHER LOCK SPRING 1/2 PLT | | |
| 20. | 804-016C | WASHER FLAT 1/2 SAE PLT | | |
| 21. | 804-021C | WASHER FLAT 5/8 SAE PLT | | |
| 22. | 804-022C | WASHER LOCK SPRING 5/8 PLT | | |
| 23. | 804-062C | WASHER MACH 1.88 X 1.25 X 10GA | OLD STYLE | |
| 24. | 804-066C | WASHER MACH 2.25 X 1.50 X 14GA | | |
| 25. | 805-088C | PIN, HAIR COTTER 3/16 WIRE DIA | | |
| 26. | 805-090C | PIN CLEVIS 1 X 3 3/16 LG | | |
| 27. | 805-105C | PIN COTTER 1/4 X 2 1/2 PLT | | |
| 28. | 805-255C | PIN ROLL 3/8 X 2 1/2 PLT | | |
| 29. | 814-039C | WHEEL & TIRE PNEU 4.8/4.00 X 8 | OLD STYLE | |
| 30. | 814-058C | TIRE & WHEEL LAMINATED 4.0 X 8 | | |
| 31. | 815-092C | HUB & SPINDLE ASSY 4 BOLT | | |
| 32. | 818-298C | DECAL GREASE 25HRS BLACK/WHITE | | |
| 33. | 818-335C | DECAL RED NARROW REFLECTOR | | |
| 34. | 818-681C | DECAL NOTICE - 20 MPH MAX | | |
| 35. | 890-177C | RATCHET JACK - HEAVY DUT | | |
| 36. | 890-961C | RC25 TAILWHEEL YOKE, 1.5 SHAFT | | |

Hub Assembly 4-Bolt W/ Zerk & Studs (815-092C)

Applies to RBT3572, RBT3584, RBT3596



37435

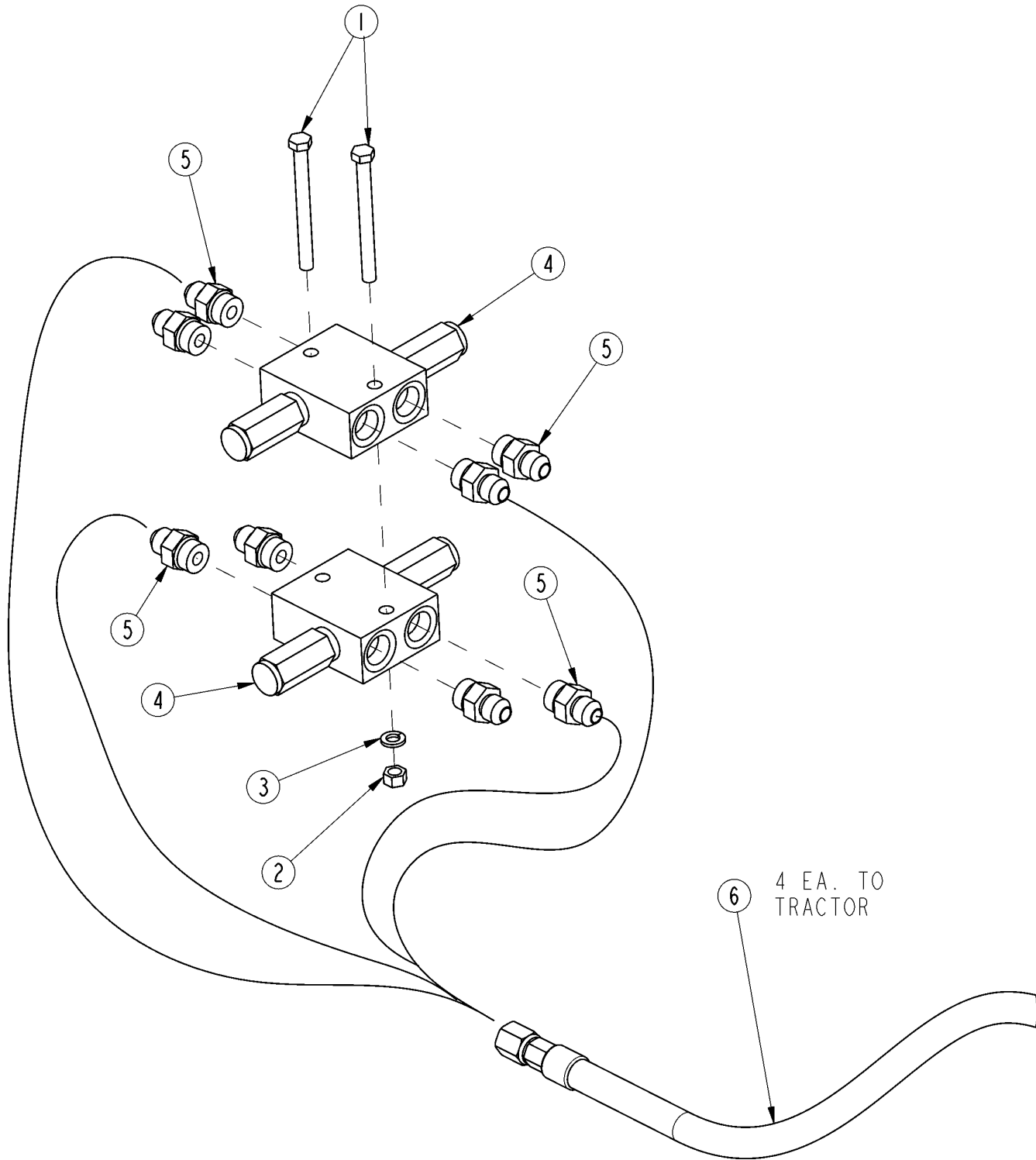
Hub Assembly 4-Bolt W/ Zerk & Studs (815-092C)

Applies to RBT3572, RBT3584, RBT3596

| Ref | Part No. | Part Description | Comments | Revision |
|------------|-----------------|--------------------------------|-----------------|-----------------|
| | Dwg 37435 | Image No. | | |
| 1. | 800-001C | GREASE ZERK STRAIGHT 1/4-28 | | |
| 2. | 802-135C | HUB STUD 1/2-20X1 5/8 GR5 | | |
| 3. | 803-289C | NUT HEX 1 1/4-7(MACHINED)PLAIN | | |
| 4. | 815-092C | HUB & SPINDLE ASSY 4 BOLT | | |
| 5. | 815-230C | HUB 4 BLT W/CUPS, ZERK & STUDS | | |
| 6. | 815-231C | HUB 4BLT DUCTILE(USE 815-230C) | | |
| 7. | 816-286C | OIL SEAL DBL LIP 2.441 BORE | | |
| 8. | 822-091C | BRG 1.25ID CONE 15123 | | |
| 9. | 822-092C | BRG CUP 2.44OD 15245 | | |
| 10. | 827-036C | BUSHING TW 1.25ODX.78IDX5 1/4 | | |

Hydraulic Cushion Valve

Applies to RBT3572, RBT3584, RBT3596



24842

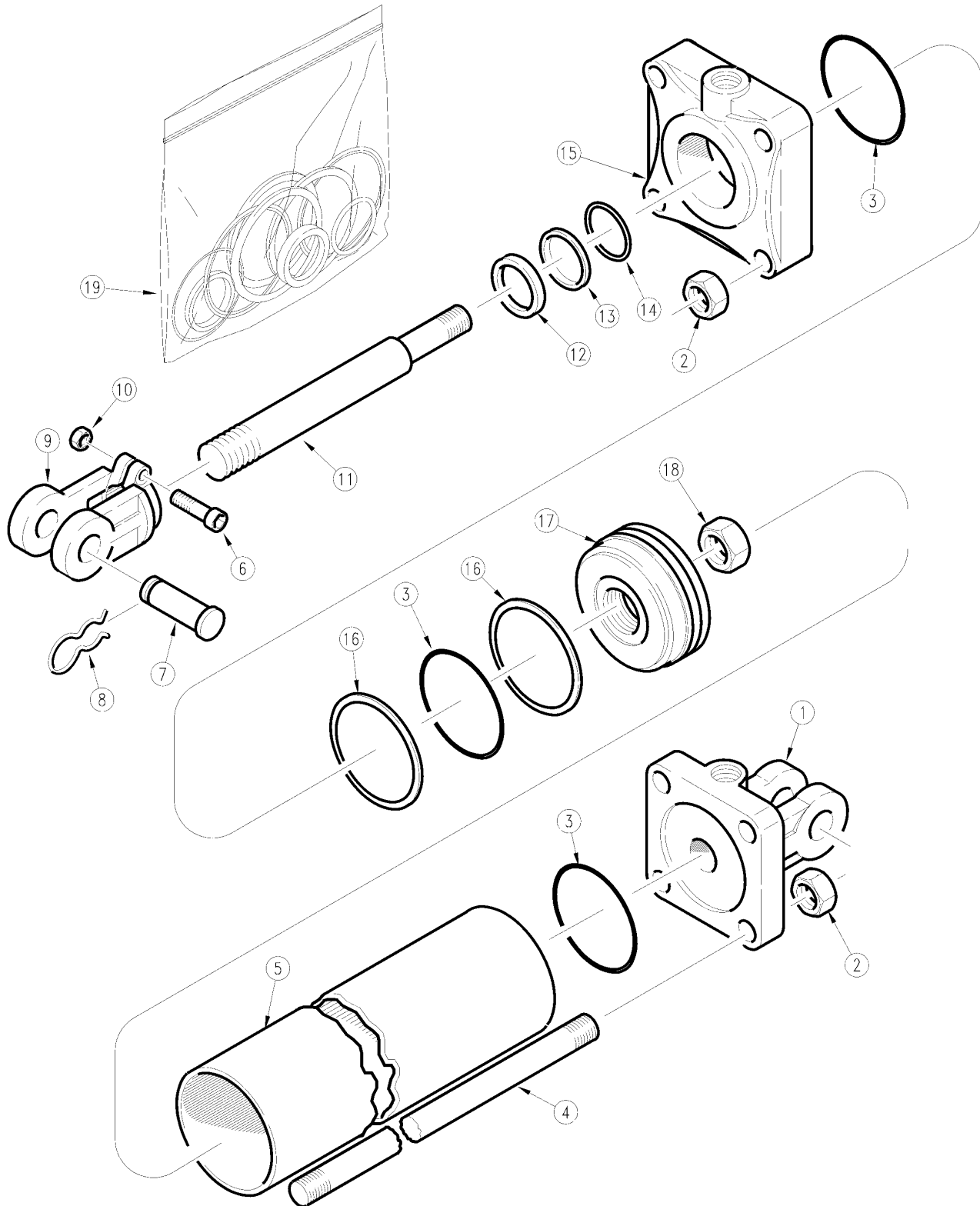
Hydraulic Cushion Valve

Applies to RBT3572, RBT3584, RBT3596

| Ref | Part No. | Part Description | Comments | Revision |
|------------|-----------------|--------------------------------|-----------------|-----------------|
| | dwg24842 | Drawing Image Number | | |
| | 301-208A | RBT35/40 CYL. CUSH. VALVE * | | |
| 1. | 802-223C | HHCS 3/8-16X4 GR5 | | |
| 2. | 803-014C | NUT HEX 3/8-16 PLT | | |
| 3. | 804-013C | WASHER LOCK SPRING 3/8 PLT | | |
| 4. | 810-385C | VALVE CYLINDER CUSHION 1600PSI | | |
| 5. | 811-192C | AD 3/4MJIC 7/8MORB | | |
| 6. | 811-685C | HH3/8R2 048 3/4FJIC 3/4FJIC | | |

Hydraulic Cylinder (810-162C) Cross

Applies to RBT3572, RBT3584, RBT3596



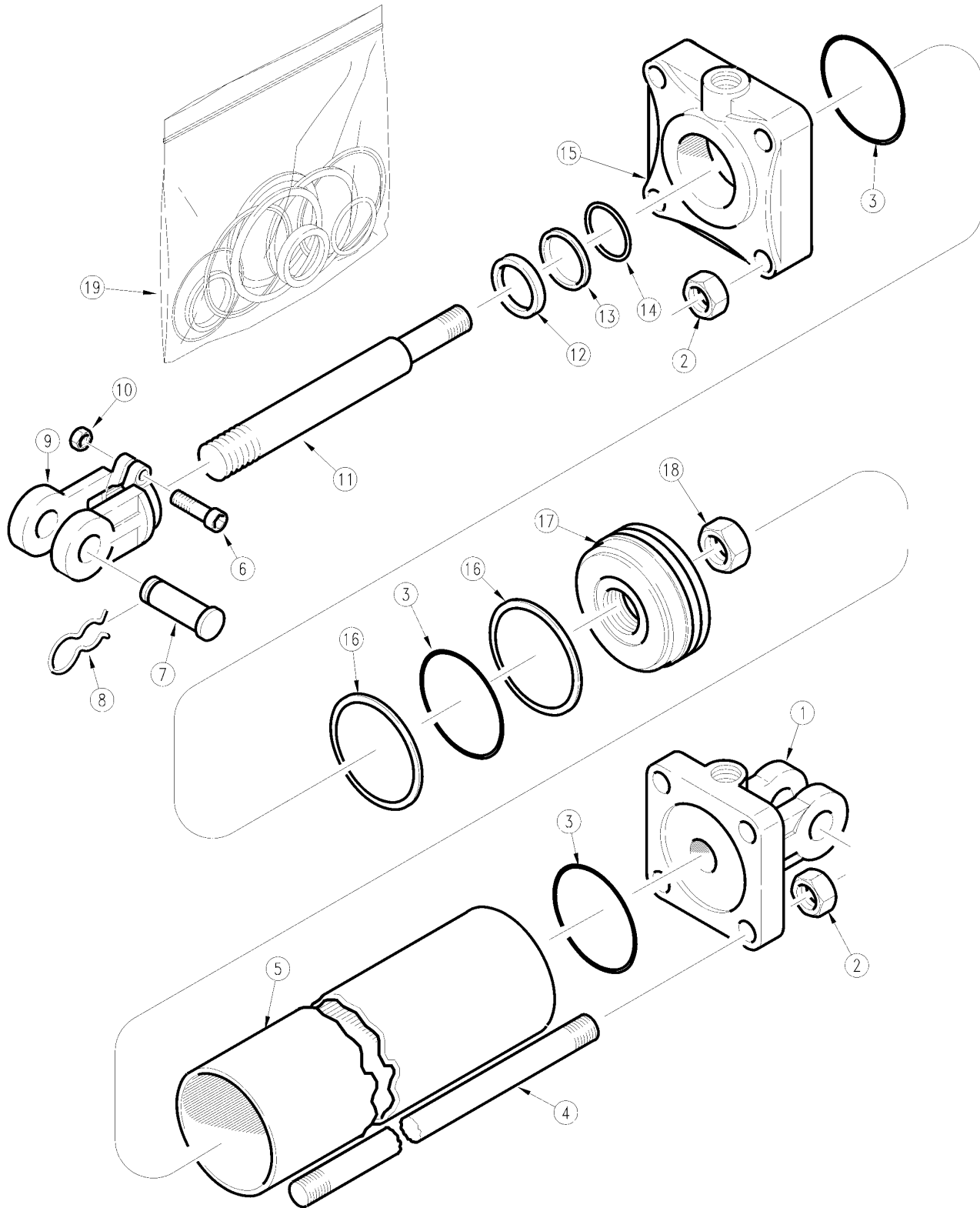
11421

Hydraulic Cylinder (810-162C) Cross**Applies to RBT3572, RBT3584, RBT3596**

| Ref | Part No. | Part Description | Comments | Revision |
|------------|-----------------|-------------------------------|----------------------------|-----------------|
| | dwg11421 | Drawing Image Number | | |
| | 810-162C | CYL 3.5X8X1.25 ROD (TIE ROD) | | |
| 1. | 1D1509-4 | BASE CROSS | | |
| 2. | 2A0236-9 | TIE ROD NUT CROSS | | |
| 3. | | O-RING | Only found in seal kit 19. | |
| 4. | 2A0581-1325 | TIE ROD CROSS | | |
| 5. | 1D0009-1050 | TUBE CROSS | | |
| 6. | 2A0079-616 | CROSS SCREW, CAP | | |
| 7. | 1D1551-16275 | CROSS CLEVIS PIN | | |
| 8. | 2A0308-1 | CROSS PIN, CLIP | | |
| 9. | 1D1003-5 | CROSS ROD CLEVIS | | |
| 10. | 2A0235-6 | CROSS NUT, CLEVIS & TIE ROD | | |
| 11. | 1D0205-1262 | ROD CROSS | | |
| 12. | | WIPER | Only found in seal kit 19. | |
| 13. | | BACKUP ROD | Only found in seal kit 19. | |
| 14. | | O-RING | Only found in seal kit 19. | |
| 15. | 1D1159-4 | HEAD CROSS | | |
| 16. | | BACKUP PISTON | Only found in seal kit 19. | |
| 17. | 1D1401-350 | PISTON CROSS | | |
| 18. | 1A1141 | PISTON NUT CROSS | | |
| 19. | 810-146C | SEAL KIT CROSS 3.5 CYL 1C4429 | | |

Hydraulic Cylinder (810-162C) Midway

Applies to RBT3572, RBT3584, RBT3596



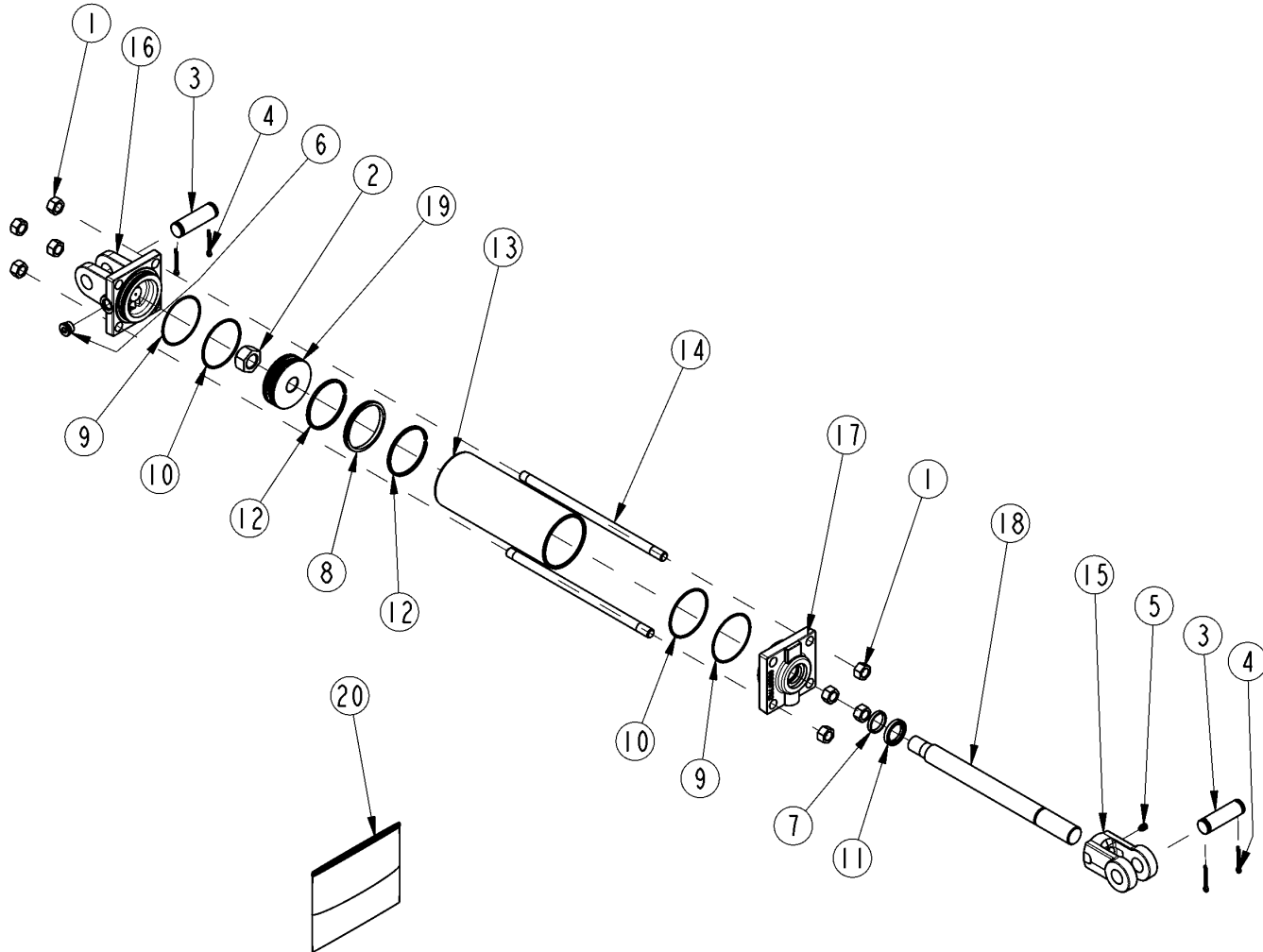
11421

Hydraulic Cylinder (810-162C) Midway**Applies to RBT3572, RBT3584, RBT3596**

| Ref | Part No. | Part Description | Comments | Revision |
|------------|-----------------------|---|----------------------------|-----------------|
| | Dwg 11421 810-162C | Drawing Image Number CYL 3.5X8X1.25 ROD (TIE ROD) * | | |
| 1. | 6M5142 | MW BASE (STD. 1" PIN) | | |
| 2. | 2A0016 | MW TIE ROD NUT | | |
| 3. | | O-RING | Only found in seal kit 19. | |
| 4. | 7M5316 | MW ROD | | |
| 5. | 5M5116 | MW TUBE 3 1/2 X 8 CYLINDER | | |
| 6. | 2A0006 | MW CAPSCREW | | |
| 7. | 2A0208 | MW CLEVIS PIN | | |
| 8. | 2A0132 | MW PIN CLIP | | |
| 9. | 1M6010 | MW CLEVIS STD. DUTY | | |
| 10. | 2A0012 | MW NUT CLEVIS & TIE ROD | | |
| 11. | 2M5416 | MW ROD | | |
| 12. | | WIPER | Only found in seal kit 19. | |
| 13. | | BACKUP ROD | Only found in seal kit 19. | |
| 14. | | O-RING | Only found in seal kit 19. | |
| 15. | 3M5408 | MW HEAD | | |
| 16. | | BACKUP PISTON | Only found in seal kit 19. | |
| 17. | 4M5108 | MW PISTON | Obsolete | |
| 17. | 4M5102 | RPBY 4M5108 | | |
| 18. | 2A0024 | MW PISTON NUT 1"-14 | | |
| 19. | 810-149C | SEAL KIT 810-104C MW 3A5102 | | |

Hydraulic Cylinder (810-162C) Red Lion

Applies to RBT3572, RBT3584, RBT3596



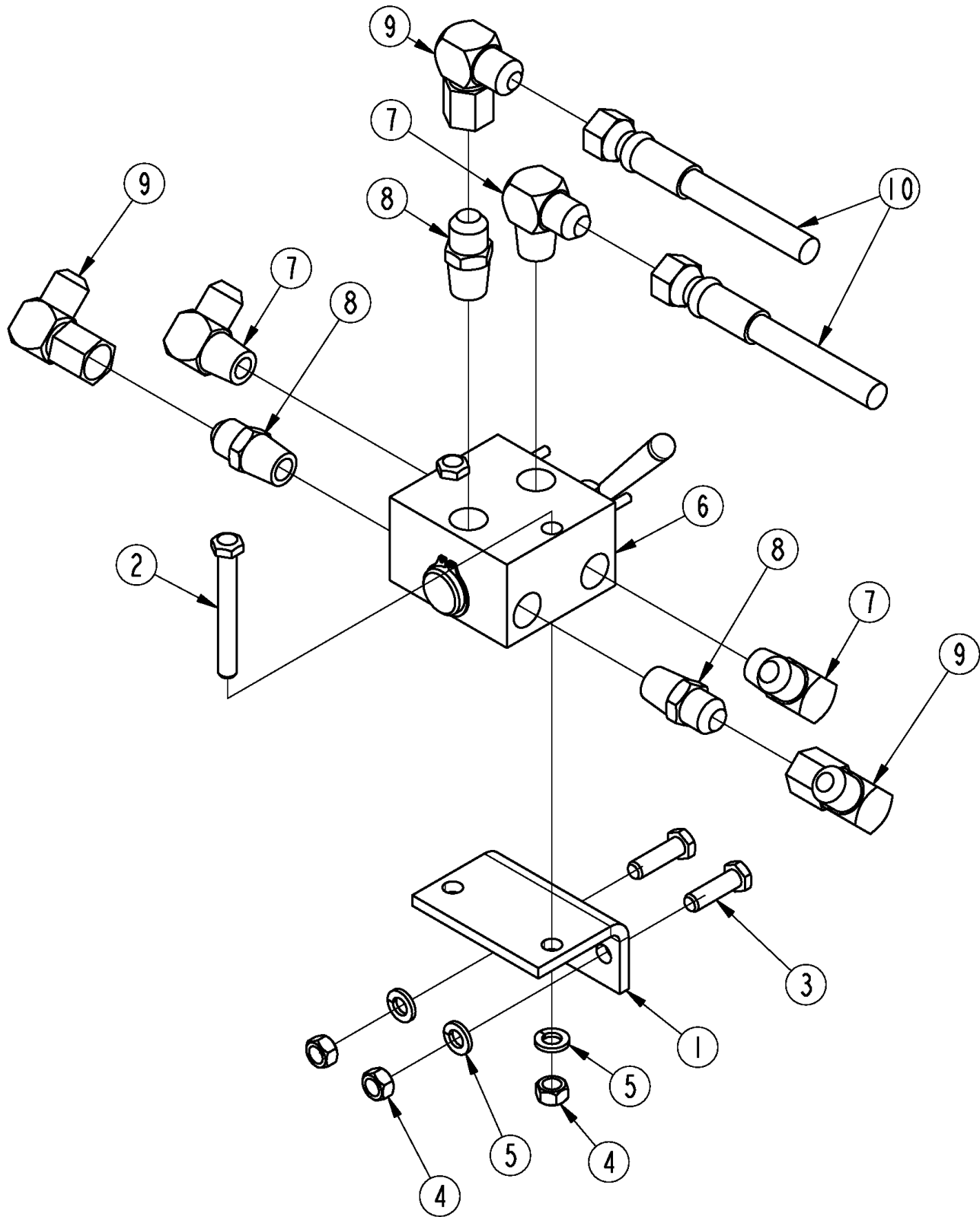
25900

Hydraulic Cylinder (810-162C) Red Lion**Applies to RBT3572, RBT3584, RBT3596**

| Ref | Part No. | Part Description | Comments | Revision |
|------------|-----------------|-----------------------------------|-----------------------|-----------------|
| | dwg25900 | Drawing Image Number | | |
| | 810-162C | CYL 3.5X8X1.25 ROD (TIE ROD) * | | |
| 1. | 803-022C | NUT HEX 5/8-18 PLT | | |
| 2. | 130560 | MON PISTON NUT | | |
| 3. | 134953 | LION PIN | | |
| 4. | 135995 | MON CLEVIS PIN COTTER | | |
| 5. | 801-023C | SCREW SET SH 3/8-16X3/8 TYPE C | | |
| 6. | 186562 | LION PLUG 3/4-16UNF SOCKET HD | | |
| 7. | N/A | MON ROD SEAL | Only Found in Kit #20 | |
| 8. | N/A | MON PISTON SEAL (PSP) | Only Found in Kit #20 | |
| 9. | N/A | LION B.U. WASHER 073-236 | Only Found in Kit #20 | |
| 10. | N/A | MON END CAP O-RING | Only Found in Kit #20 | |
| 11. | N/A | SEAL WIPER ROD | Only Found in Kit #20 | |
| 12. | N/A | MON PISTON WEAR RING | Only Found in Kit #20 | |
| 13. | 491798 | LION CYL. TUBE 3.5 X 8 | | |
| 14. | 492338 | LION TIE ROD 5/8 X 8 | | |
| 15. | 492652 | LION ROD CLEVIS 1 1/4 (1PIN) | | |
| 16. | 492676 | LION CLEVIS CAP 3.5 ORB | | |
| 17. | 494286 | MON ROD CAP3.5-1.25-3/4ORB-TSS | | |
| 18. | 492700 | LION ROD 1.25 DIA. ASAE 8 | | |
| 19. | 258827 | MON PISTN 3.50-1.00-TSS-ISO-WR | | |
| 20. | 810-888C | MON SEAL KIT 661703 | | |

Hydraulic Selector Valve

Applies to RBT3572, RBT3584, RBT3596



39392

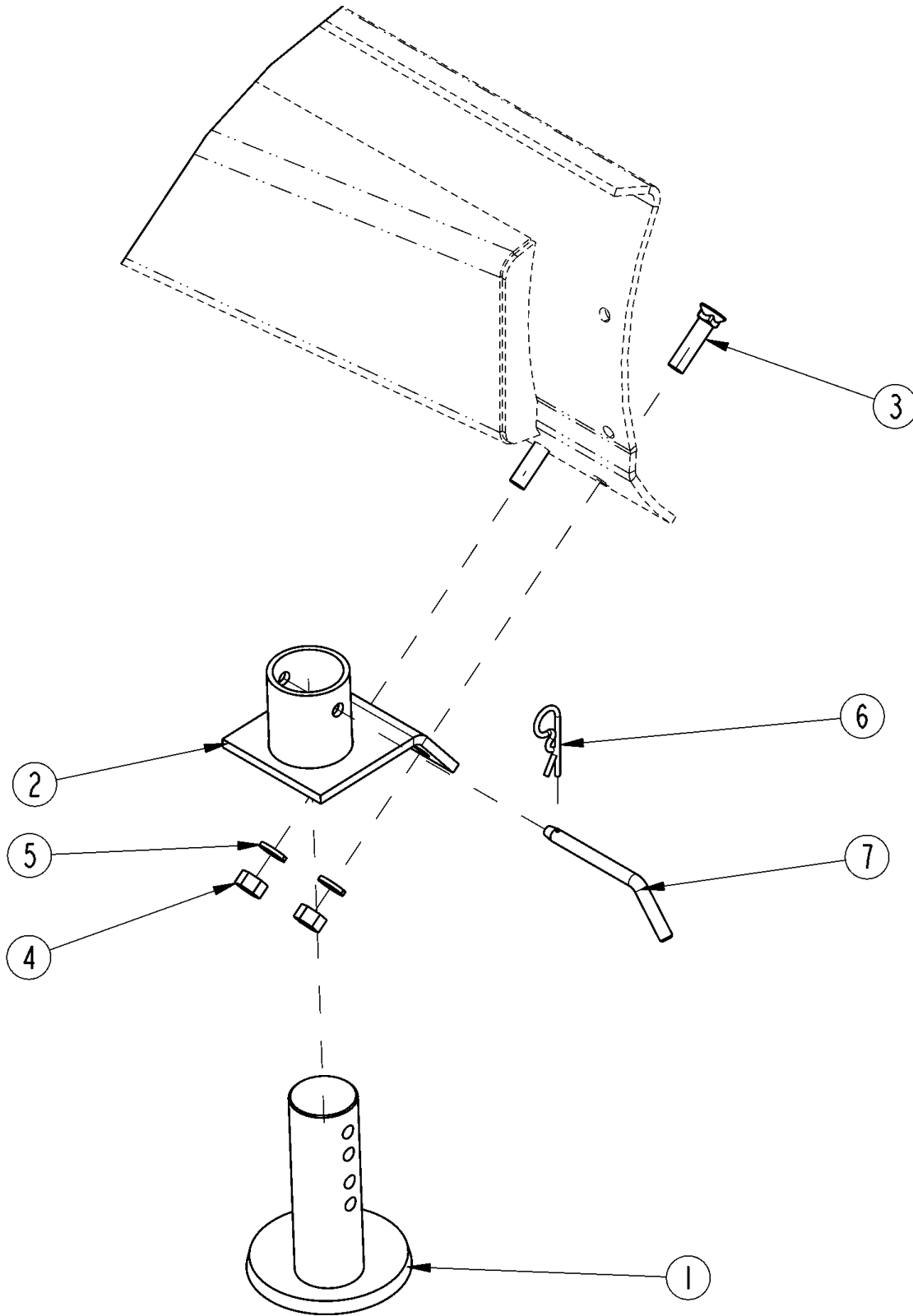
Hydraulic Selector Valve

Applies to RBT3572, RBT3584, RBT3596

| Ref | Part No. | Part Description | Comments | Revision |
|------------|-----------------------|--|-----------------|-----------------|
| | Dwg 39392 301-258A | Drawing Image Number RBT35 CONTROL VALVE * | | |
| 1. | 300-457D | DOUBLE SELECTOR MOUNT | | |
| 2. | 802-024C | HHCS 3/8-16X3 GR5 | | |
| 3. | 802-079C | HHCS 3/8-16X1 1/4 GR5 | | |
| 4. | 803-014C | NUT HEX 3/8-16 PLT | | |
| 5. | 804-013C | WASHER LOCK SPRING 3/8 PLT | | |
| 6. | 810-023C | DOUBLE SELECTOR VALVE | | |
| 7. | 811-038C | EL 3/4MJIC 1/2MNPT | | |
| 8. | 811-041C | AD 3/4MJIC 1/2MNPT | | |
| 9. | 811-150C | EL 3/4FJIC 3/4MJIC | | |
| 10. | 811-386C | HH3/8R2 036 3/4FJIC | | |

Skid Shoe

Applies to RBT3572, RBT3584, RBT3596



24821

Skid Shoe**Applies to RBT3572, RBT3584, RBT3596**

| Ref | Part No. | Part Description | Comments | Revision |
|------------|-----------------|--------------------------------|---------------------------------------|-----------------|
| | dwg24821 | Drawing Image Number | | |
| | 301-333A | T35/40 SKID SHOES | S/N 633630+ (Includes 2 of items 1-7) | |
| | 301-186A | RBT40/45 SKID SHOES | S/N 633629- (Includes 2 of items 1-7) | |
| 1. | 301-203H | 40 SKID SHOE WELDMENT | | |
| 2. | 301-334H | T35/40 SKID SHOE MNT WELDMENT | S/N 633630+ | |
| 2. | 301-204H | 40 SKID SHOE BRACKET WELDMENT | S/N 633629- | |
| 3. | 802-211C | PLOW 5/8-11X2 1/2 GR5 | | |
| 4. | 803-021C | NUT HEX 5/8-11 PLT | | |
| 5. | 804-022C | WASHER LOCK SPRING 5/8 PLT | | |
| 6. | 805-088C | PIN, HAIR COTTER 3/16 WIRE DIA | | |
| 7. | 805-293C | PIN BENT 1/2 X 3 1/2 W/HAIRPIN | | |



Part Number Index

The Part Number Index is a numeric index of all part numbers included in this manual. The index shows what page(s) the part is used on.

| Part Number | Page | Part Number | Page | Part Number | Page | Part Number | Page |
|--------------|--------|-------------|--------------------|-------------|--------------------|-------------|------------|
| 130560 | 39 | 301-258A | 41 | 805-007C | 9 | 821-067C | 23 |
| 134953 | 39 | 301-303D | 11 | 805-015C | 7 | 821-067CGL | 23 |
| 135995 | 39 | 301-322H | 11 | 805-021C | 7 | 821-067CQT | 23 |
| 186562 | 39 | 301-323H | 11 | 805-032C | 15 | 821-067CTU | 23 |
| 1A1141 | 35 | 301-333A | 43 | 805-041C | 7 | 821-070C | 23 |
| 1D0009-1050 | 35 | 301-334H | 43 | 805-065C | 7 | 821-070CGL | 23 |
| 1D0009-1612 | 15 | 305-067S | 7 | 805-088C | 9, 13, 17, 19, 29, | 821-070CQT | 23 |
| 1D0205-1262 | 35 | 3M5408 | 37 | | 43 | 821-070CTU | 23 |
| 1D1003-5 | 35 | 3R0124 | 17 | 805-090C | 9, 13, 29 | 821-080C | 23 |
| 1D1013-5 | 15 | 491798 | 39 | 805-105C | 27, 29 | 821-080CGL | 23 |
| 1D1159-4 | 35 | 492338 | 39 | 805-161C | 7 | 821-080CQT | 23 |
| 1D1401-350 | 35 | 492652 | 39 | 805-255C | 27, 29 | 821-080CTU | 23 |
| 1D1509-4 | 35 | 492676 | 39 | 805-272C | 7 | 822-091C | 31 |
| 1D1551-16275 | 35 | 492700 | 39 | 805-293C | 43 | 822-092C | 31 |
| 1D1582-16300 | 15 | 494286 | 39 | 810-023C | 41 | 827-036C | 31 |
| 1M6006-ADI | 17 | 4C2452 | 15 | 810-146C | 35 | 838-075C | 21 |
| 1M6010 | 37 | 4C4367 | 15 | 810-149C | 37 | 838-517C | 21 |
| 258827 | 39 | 4C4368 | 15 | 810-162C | 27, 35, 37, 39 | 838-614C | 21 |
| 2A0006 | 37 | 4C5634 | 15 | 810-310C | 17 | 838-941C | 21 |
| 2A0012 | 37 | 4M2108 | 17 | 810-385C | 33 | 838-942C | 21 |
| 2A0016 | 37 | 4M5102 | 37 | 810-558C | 13, 15 | 838-943C | 21 |
| 2A0024 | 37 | 4M5108 | 37 | 810-601C | 17, 19 | 838-963C | 21 |
| 2A0079-616 | 15, 35 | 5M2114 | 17 | 810-888C | 39 | 838-966C | 21 |
| 2A0132 | 37 | 5M5116 | 37 | 811-038C | 41 | 841-006C | 13 |
| 2A0208 | 37 | 6M5142 | 37 | 811-041C | 41 | 841-205C | 19 |
| 2A0235-6 | 15, 35 | 6R0062 | 17 | 811-063C | 13, 19, 27 | 848-084C | 9, 21 |
| 2A0236-9 | 15, 35 | 7M2314 | 17 | 811-088C | 13, 19 | 848-085C | 9, 21 |
| 2A0246-16 | 15 | 7M5316 | 37 | 811-150C | 41 | 850-356C | 15 |
| 2A0308-1 | 35 | 800-001C | 31 | 811-192C | 33 | 890-005C | 11 |
| 2A0581-1325 | 35 | 800-080C | 7, 11, 27, 29 | 811-247C | 27 | 890-143C | 7, 11 |
| 2A0581-1900 | 15 | 801-023C | 39 | 811-386C | 41 | 890-177C | 29 |
| 2M2312 | 17 | 802-014C | 11 | 811-394C | 13, 19, 27 | 890-389C | 7 |
| 2M5416 | 37 | 802-023C | 17 | 811-685C | 33 | 890-637C | 9 |
| 300-016H | 27, 29 | 802-024C | 41 | 811-953C | 19 | 890-961C | 27, 29 |
| 300-017H | 27, 29 | 802-062C | 27, 29 | 811-985C | 13 | Dwg 11421 | 37 |
| 300-050D | 27, 29 | 802-079C | 27, 29, 41 | 814-039C | 27, 29 | Dwg 24806 | 11 |
| 300-171H | 7 | 802-091C | 25 | 814-058C | 27, 29 | Dwg 24810 | 21 |
| 300-210H | 7 | 802-135C | 31 | 815-092C | 27, 29, 31 | Dwg 24811 | 15 |
| 300-210H81 | 7 | 802-206C | 11 | 815-230C | 31 | Dwg 24812 | 17 |
| 300-210H82 | 7 | 802-208C | 27, 29 | 815-231C | 31 | Dwg 24813 | 27 |
| 300-212H | 7 | 802-211C | 43 | 816-286C | 31 | Dwg 37435 | 31 |
| 300-212H81 | 7 | 802-223C | 33 | 816-504C | 7 | Dwg 39392 | 41 |
| 300-212H82 | 7 | 802-224C | 7 | 818-229C | 21 | Dwg 76002 | 13 |
| 300-213H | 7 | 802-280C | 27, 29 | 818-230C | 21 | Dwg 76003 | 19 |
| 300-216A | 13 | 802-292C | 11 | 818-298C | 21, 27, 29 | dwg11421 | 35 |
| 300-217A | 9 | 802-326C | 27, 29 | 818-335C | 27, 29 | dwg24805 | 7 |
| 300-218H | 27, 29 | 803-014C | 27, 29, 33, 41 | 818-339C | 21 | dwg24807 | 9 |
| 300-219A | 27 | 803-020C | 25 | 818-487C | 21 | dwg24809 | 25 |
| 300-220H | 9 | 803-021C | 27, 29, 43 | 818-491C | 21 | dwg24821 | 43 |
| 300-222H | 9 | 803-022C | 39 | 818-681C | 27, 29 | dwg24842 | 33 |
| 300-223H | 9 | 803-024C | 27, 29 | 818-890C | 21 | dwg24906 | 29 |
| 300-224A | 9 | 803-026C | 27, 29 | 820-035C | 11 | dwg25900 | 39 |
| 300-225A | 19 | 803-114C | 17 | 820-043C | 11 | N/A | 15, 17, 39 |
| 300-227A | 29 | 803-234C | 17 | 820-046C | 11 | | |
| 300-277H | 27, 29 | 803-255C | 7 | 821-011C | 23 | | |
| 300-296D | 7 | 803-263C | 11 | 821-011CGL | 23 | | |
| 300-375D | 27, 29 | 803-289C | 31 | 821-011CQT | 23 | | |
| 300-457D | 41 | 803-304C | 11 | 821-011CTU | 23 | | |
| 301-010A | 25 | 803-308C | 27, 29 | 821-054C | 23 | | |
| 301-011H | 25 | 804-007C | 7 | 821-054CGL | 23 | | |
| 301-186A | 43 | 804-013C | 11, 27, 29, 33, 41 | 821-054CQT | 23 | | |
| 301-203H | 43 | 804-015C | 27, 29 | 821-054CTU | 23 | | |
| 301-204H | 43 | 804-016C | 27, 29 | 821-058C | 23 | | |
| 301-208A | 33 | 804-021C | 27, 29 | 821-058CGL | 23 | | |
| 301-240D | 11 | 804-022C | 27, 29, 43 | 821-058CQT | 23 | | |
| 301-243H | 11 | 804-023C | 11 | 821-058CTU | 23 | | |
| 301-246H | 11 | 804-062C | 27, 29 | 821-066C | 23 | | |
| 301-250H | 11 | 804-065C | 25 | 821-066CGL | 23 | | |
| 301-255H | 11 | 804-066C | 27, 29 | 821-066CQT | 23 | | |
| 301-257H | 11 | 805-004C | 9, 17, 19 | 821-066CTU | 23 | | |

This Page Intentionally Left Blank



Great Plains Manufacturing, Inc.

Corporate Office: P.O. Box 5060
Salina, Kansas 67402-5060 USA

www.landpride.com
