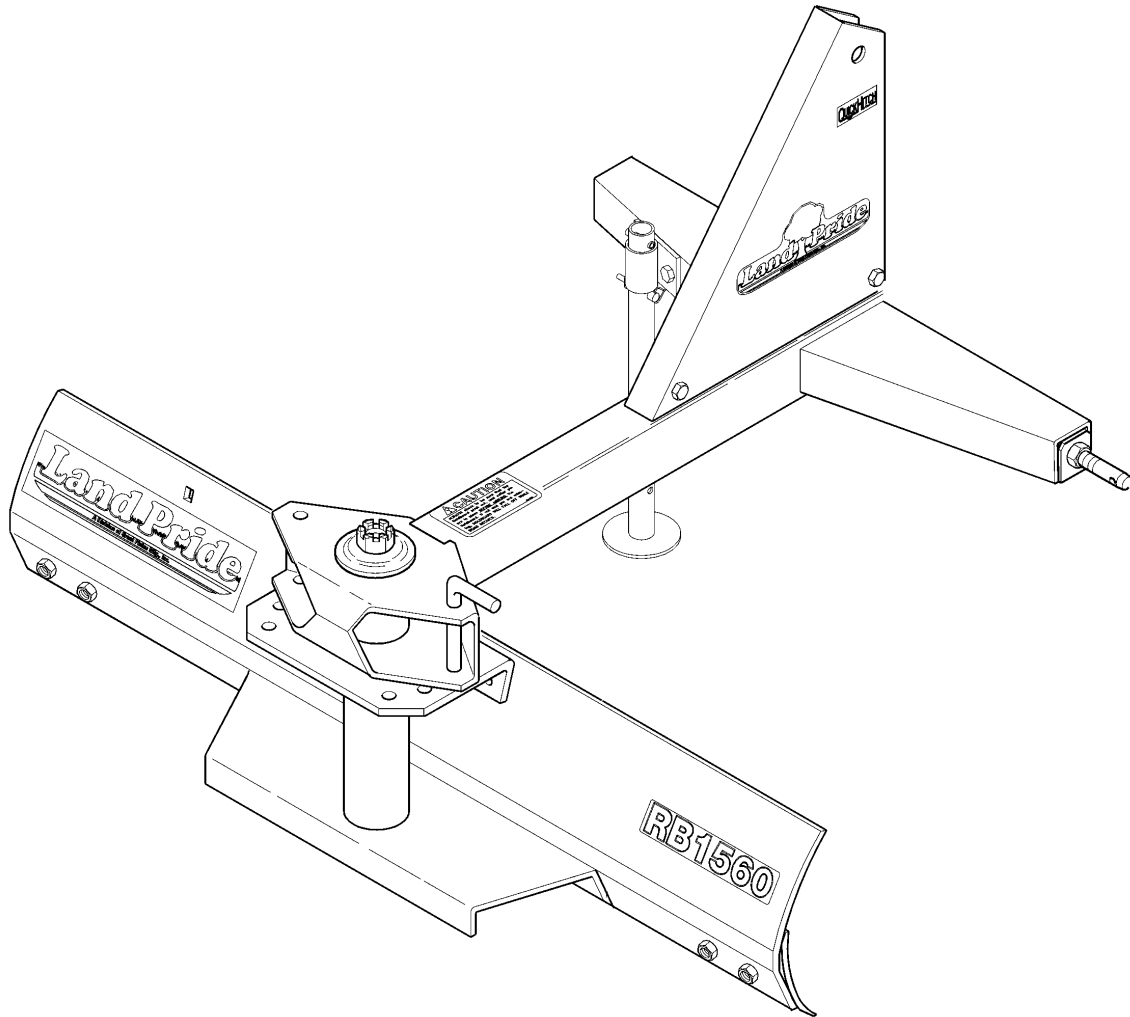


Rear Blades

RB05, RB15 & RBT15



10335

301-143P Parts Manual



Read the Operator's Manual entirely. When you see this symbol, the subsequent instructions and warnings are serious - follow without exception. Your life and the lives of others depend on it!

© Copyright 2021 Printed 01/05/21

Cover photo may show optional equipment not supplied with standard unit.





Table of Contents

Section 1: Introduction.....4
 Using This Manual.....4
 Manual Replacement Information.....4
 Manual Revisions.....4
 Touch-up Paint.....4
 Hardware Legend.....5
 Replacement Hardware.....5
 Serial Numbers.....5
 Part Number Service Coding.....5

Part Number Index.....48

RB05 SERIES

Section 2: Frames.....6
 Frame (S/N 106400+).....6
 Frame and Blade (S/N 106399-).....8
Section 3: Blades.....10
 Blade (S/N 106400+).....10
Section 4: Decals.....12
 Decal Placement (S/N 106399-).....12
 Decal Placement (S/N 106400+).....14
 Touch-up Paints - LP.....16
Section 5: Accessories.....18
 Hitch Extension Kit.....18

RB15 SERIES

Section 2: Frames.....20
 Frame (S/N 32360+).....20
 Frame and Blade (S/N 32359-).....22
Section 3: Blades.....24
 Blade (S/N 32360+).....24
Section 4: Decals.....26
 Decal Placement (S/N 32359-).....26
 Decal Placement (S/N 32360+).....28
 Touch-up Paints - LP.....30
Section 5: Options & Accessories.....32
 Skid Shoe.....32

RBT15 SERIES

Section 2: Frames.....34
 Frame (S/N 106400+).....34
 Frame and Blade (S/N 106399-).....36
Section 3: Blades.....38
 Blade (S/N 106400+).....38
Section 4: Decals.....40
 Decal Placement (S/N 106399-).....40
 Decal Placement (S/N 106400+).....42
 Touch-up Paints - LP.....44
Section 5: Options & Accessories.....46
 Skid Shoes.....46

© Copyright 2021. All rights reserved.

Land Pride provides this publication “as is” without warranty of any kind, either expressed or implied. While every precaution has been taken in the preparation of this manual, Land Pride assumes no responsibility for errors or omissions. Neither is any liability assumed for damages resulting from the use of the information contained herein. Land Pride reserves the right to revise and improve its products as it sees fit. This publication describes the state of this product at the time of its publication, and may not reflect the product in the future. The illustrations in this manual are not intended for safe and proper assembly or disassembly of equipment. The illustrations are intended for ordering parts only.

Land Pride is registered trademark.

All other brands and product names are trademarks or registered trademarks of their respective holders.

Printed in the United States of America.



Alphabetized Table of Contents

RB05 SERIES

B

Blade (S/N 106400+).....10

D

Decal Placement (S/N 106399-).....12
Decal Placement (S/N 106400+).....14

F

Frame (S/N 106400+).....6
Frame and Blade (S/N 106399-).....8

H

Hitch Extension Kit.....18

T

Touch-up Paints - LP.....16

T

Touch-up Paints - LP.....44

RB15 SERIES

B

Blade (S/N 32360+).....24

D

Decal Placement (S/N 32359-).....26
Decal Placement (S/N 32360+).....28

F

Frame (S/N 32360+).....20
Frame and Blade (S/N 32359-).....22

S

Skid Shoe.....32

T

Touch-up Paints - LP.....30

RBT15 SERIES

B

Blade (S/N 106400+).....38

D

Decal Placement (S/N 106399-).....40
Decal Placement (S/N 106400+).....42

F

Frame (S/N 106400+).....34
Frame and Blade (S/N 106399-).....36

S

Skid Shoes.....46

General Information

Using This Manual

This manual is divided into sections. The first section contains General Information. The remaining sections divide the machine into segments (i.e. Frames, Drives, Hydraulics, etc.) which illustrate and list all parts. A Parts Number Index is located at the back of the book.

The Land Pride parts in this manual are specially designed for this machine and should be replaced with Land Pride parts only.

The information in this manual is current at time of printing. Some parts may change to assure top performance.

Right-hand and left-hand as used in this manual are determined by facing the direction the machine will travel while in use.

Below is an example of two facing pages from a parts manual. Familiarize yourself with the type of information contained on these pages.

Manual Replacement Information

Replacement manuals are available. Refer to our website at www.landpride.com or e-mail us at lit@landpride.com for additional information. Our website continues to provide the most up-to-date manuals available.

Touch-up Paint

Repaint parts where paint is worn or scratched to prevent rust. Aerosol cans and touch-up bottles with brush applicator are available through your local dealer. Also available are quart and gallon size paints. Add QT or GL to end of the Aerosol P/N.

Land Pride color descriptions and part numbers are listed on the "Land Pride Touch-up Paints" page in the "Decals" section of this book. Color options vary by product.



General Information

Hardware Legend

AR	As Required
BLADE	Blade Bolt
C	Cap Screw
CP	Cotter Pin
CPHSSS	Cup Point Hex Socket Set Screw
CPSHSS	Cup Point Square Head Set Screw
CPSQHSS	Cup Point Square Head Set Screw
CRFCHMS3	Cross Recess Flat Countersunk Head Machine Screw
CRPHMS	Cross Recess Pan Head Machine Screw
CRPHTF	Cross Recess Pan Head Thread Forming
CRRHMS	Cross Recess Round Head Machine Screw
CRTHMS	Cross Recess Truss Head Machine Screw
CSNB	Countersunk Square Neck Bolt
FHMS	Flat Head Machine Screw
FTC	Full Thread Cap Screw
H	Hex Nut
HCLN	Hex Center Lock Nut
HFLCS	Hex Flange Lock Cap Screw
HFS	Hex Flange Screw
HFSLN	Hex Flange Serrated Lock Nut
HFSS	Hex Flange Serrated Screw
HHCS	Hex Head Cap Screw or Metric Bolt
HSBHCS	Hex Socket Button Head Cap Screw
HSFCHCS	Hex Socket Flat Countersunk Head Cap Screw
HSHCS	Hex Socket Head Cap Screw
HSSS	Hex Socket Head Screw
HTLN	Hex Top Lock Nut
HWHCS	Hex Washer Head Cap Screw

HWHMS	Hex Washer Head Machine Screw
HXBHCS	Hex Socket Button Head Cap Screw
J	Hex Jam Nut
JIC	37 Degree Tapered Thread
L	Helical Spring Lock Washer
LUG	Lug Bolt
NFC	National Fine Cap Screw
NPSM	National Pipe Straight Mechanical
NPTF	National Pipe Taper Fuel
P	Wide Plain Washer
PHMS	Pan Head Machine Screw
PLOW	Plow Bolt
RHMS	Round Head Machine Screw
RHSNB	Round Head Square Neck Bolt
SCREW LEVELING	Leveling Screw
SCREW THUMB	Thumb Screw
SCREW WELD	Weld Screw
SFCHMS	Slotted Flat Countersunk Head Machine Screw
SFHMS	Slotted Fillister Head Machine Screw
SP	Special
SP SCREW	Special Screw
SQHSS	Square Head Set Screw
SRHMS	Slotted Round Head Machine Screw
SSS	Socket Set Screw
STCS	Self Tapping Cap Screw
STHMS	Slotted Truss Head Machine Screw
WHEEL	Wheel Studs and Hub Long Bolts
WING	Wing Bolt

Replacement Hardware

The **Hardware Legend** above lists hardware abbreviations used in the parts list. All bolts and nuts are Grade 5 unless otherwise noted. The use of improper grades of hardware can result in personal injury, damage to equipment, or loss of property.

Colored Replacement Parts

Land Pride offers replacement parts in factory standard colors and also on select models in Green, Orange, Red and Blue. Because of the variety of colors available, special attention must be given to the part number to prevent ordering the wrong replacement part.

A suffix number corresponding to one of the colors below must be added at the end of Land Pride's part number when ordering a replacement part with that color.

81 Green 83 Red
82 Orange 84 Blue

For example, if you are ordering a replacement part with part number 555-555C and the part you need is red, then add the suffix 83 to the end of the number to make the part number read 555-555C83. Parts ordered without a suffix number will be supplied in factory standard colors.

Black Replacement Parts

Some parts are factory standard black and some must be special ordered black. If your part is special ordered black, a second part number with the additional suffix number 85 on the end will be available. In this situation you must order that part with the suffix number for it to be black. Parts that are factory standard black will not have the suffix number.

Part Number Service Coding

Within the parts list some part numbers are coded for revisions and interchangeability. See notations in revision column.

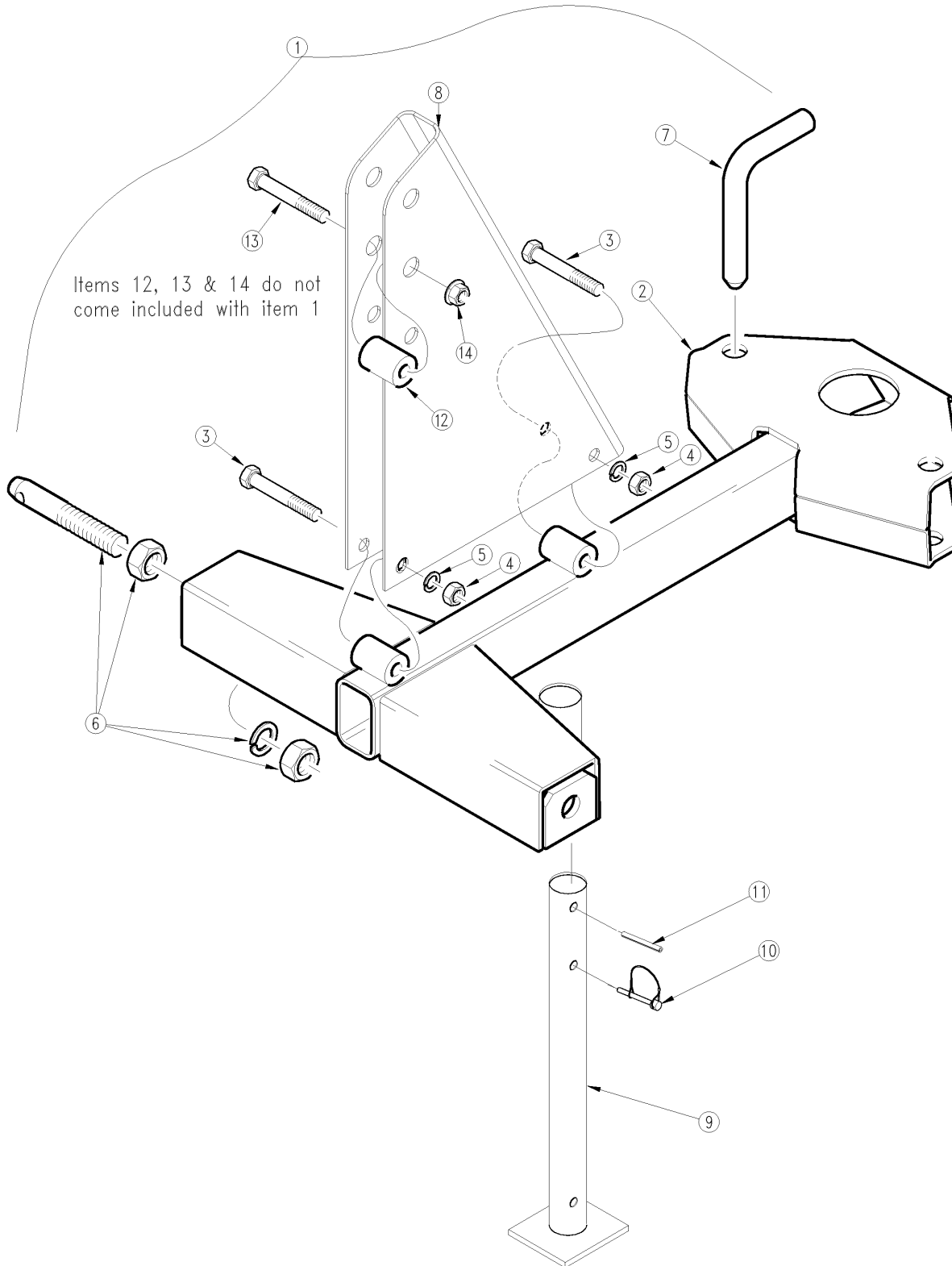
Serial Numbers

Always use the serial and model number when ordering parts. Refer to the Operator's Manual for serial number plate location.

- | | |
|----------------------|--|
| (S/N 20001+) | Includes serial numbers 20001 and above (to the latest number) |
| (S/N 10001 to 20000) | Includes serial numbers between and including 10001 and 20000 |
| (S/N 10000-) | Includes serial numbers 10000 and below (to the earliest number) |

Frame (S/N 106400+)

Applies to RB0548, RB0560



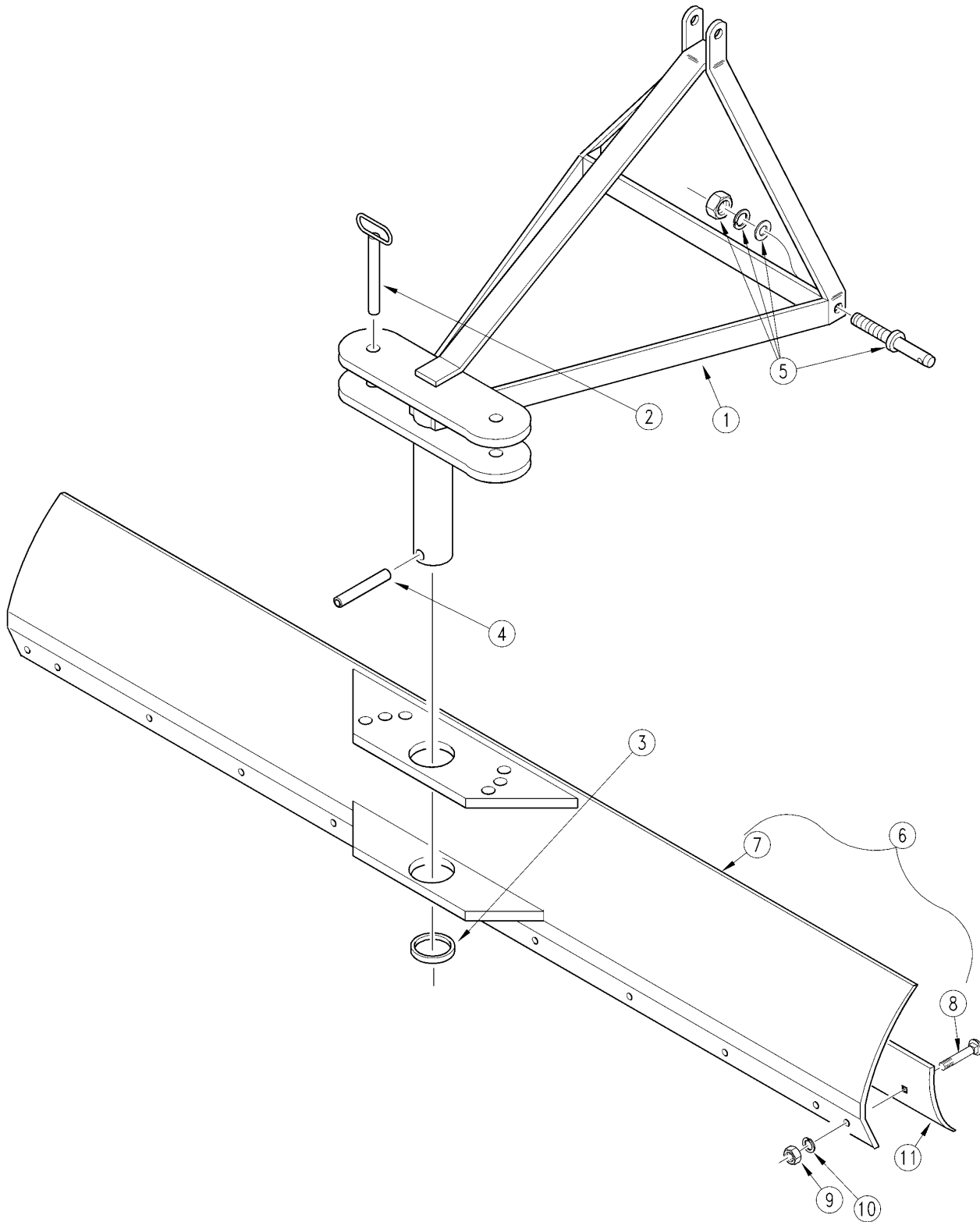
14935

Frame (S/N 106400+)**Applies to RB0548, RB0560**

Ref	Part No.	Part Description	Comments	Revision
	Dwg 14935	Drawing Image Number		
	300-134B	05 SERIES BLADE/RAKE HDWRE BAG	Includes one of item 7 and two of items 3 through 6.	
1.	300-135A	05 SERIES FRAME ASSY	Includes one of items 2; 8 & part no. 300-134B.	
2.	300-275H	05 FRAME WLDMT CAT1	S/N 976534+	
2.	300-131H	05 FRAME WELDMENT	S/N 976533-	
2.	300-131H81	05 FRAME WELDMENT GREEN	S/N 976533-	
2.	300-131H82	05 FRAME WELDMENT ORANGE	S/N 976533-	
3.	802-226C	HHCS 1/2-13X2 3/4 GR5		
4.	803-020C	NUT HEX 1/2-13 PLT		
5.	804-015C	WASHER LOCK SPRING 1/2 PLT		
6.	805-111C	PIN DRAW 7/8 X 5	Cat. 1	
6.	300-137A	CAT 0 DRAW PINS & HARDWARE	Cat. 0	
7.	805-214C	PIN BENT 7/8 OD X 5 1/8 PLATED		Rev. 2
7.	300-337D	RPBY 805-214C		Rev 1; Use up stock
8.	300-522D	UPPER HITCH 05 SERIES	S/N 778019+	
8.	300-522D81	UPPER HITCH 05 SERIES GREEN		
8.	300-522D82	UPPER HITCH 05 SERIES ORANGE		
8.	300-370D	RPBY 300-522D	S/N 778018-	Rev. 2
8.	300-370D81	RPBY 300-522D81		
8.	300-370D82	RPBY 300-522D82		
8.	300-132H	RPBY 300-370D		Rev 1; Use up stock
9.	300-003H	SUPPORT STAND RB05/LR05	S/N 475594+	
10.	805-065C	PIN WIRE RETAINING 1/4 X 1 3/4	S/N 475594+	
11.	805-161C	PIN ROLL 3/8 X 1 3/4 LG PLT	S/N 475594+	
12.	326-329D	SPACER 1 1/4 ODX13/16 IDX1 5/8		
13.	802-383C	HHCS 3/4-10X3 GR5		
14.	803-299C	NUT HEX FLG TOP LK 3/4-10 PLT		

Frame and Blade (S/N 106399-)

Applies to RB0548, RB0560



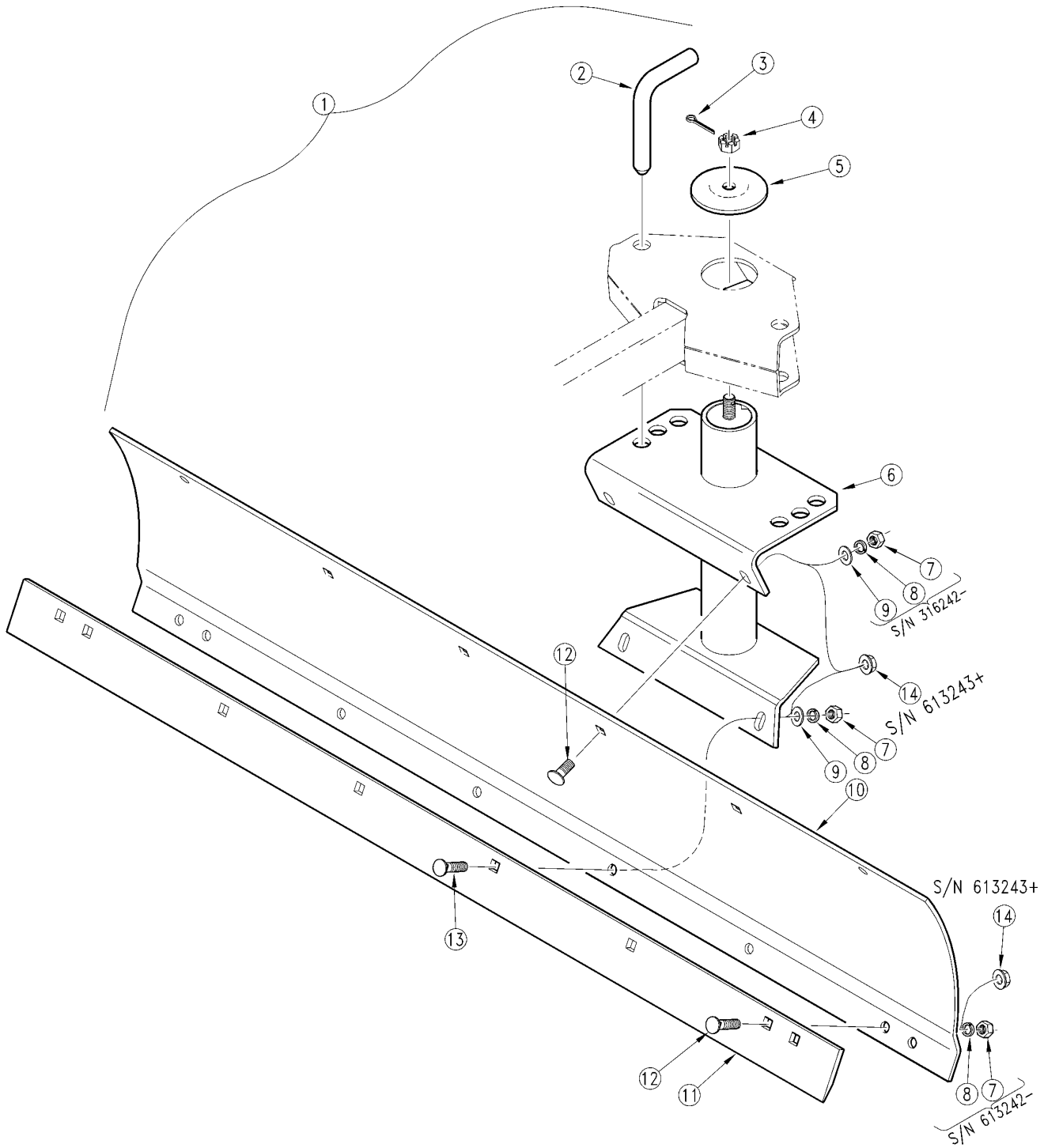
10327

Frame and Blade (S/N 106399-)**Applies to RB0548, RB0560**

Ref	Part No.	Part Description	Comments	Revision
	dwg10327	Drawing Image Number		
1.	N/A	05 FRAME WELDMENT		
2.	300-054H	DROP PIN WELDMENT		
3.	300-008D	SPACER		
4.	805-116C	PIN ROLL 3/8 X 3 1/2 PLT		
5.	805-111C	PIN DRAW 7/8 X 5	Cat 1	
5.	300-137A	CAT 0 DRAW PINS & HARDWARE	Cat. 0	
6.	301-001A	0548 BLADE ASSY	Includes one of item 7 part no. 301-002H; one of item 11 part no. 820-030C and six of items 8 through 10.	
6.	301-003A	0560 BLADE ASSY	Includes one of item 7 part no. 301-004H; one of item 11 part no. 820-031C and eight of items 8 through 10.	
7.	301-002H	4' MOLDBOARD WELDMENT		
7.	301-004H	5' MOLDBOARD WELDMENT		
8.	802-214C	RHSNB 1/2-13X1 1/4 GR5		
9.	803-020C	NUT HEX 1/2-13 PLT		
10.	804-065C	WASHER INT-EXT 1/2 PLT		
11.	820-030C	CUTTING EDGE 4' FLAT		
11.	820-031C	CUTTING EDGE 5' FLAT		

Blade (S/N 106400+)

Applies to RB0548, RB0560



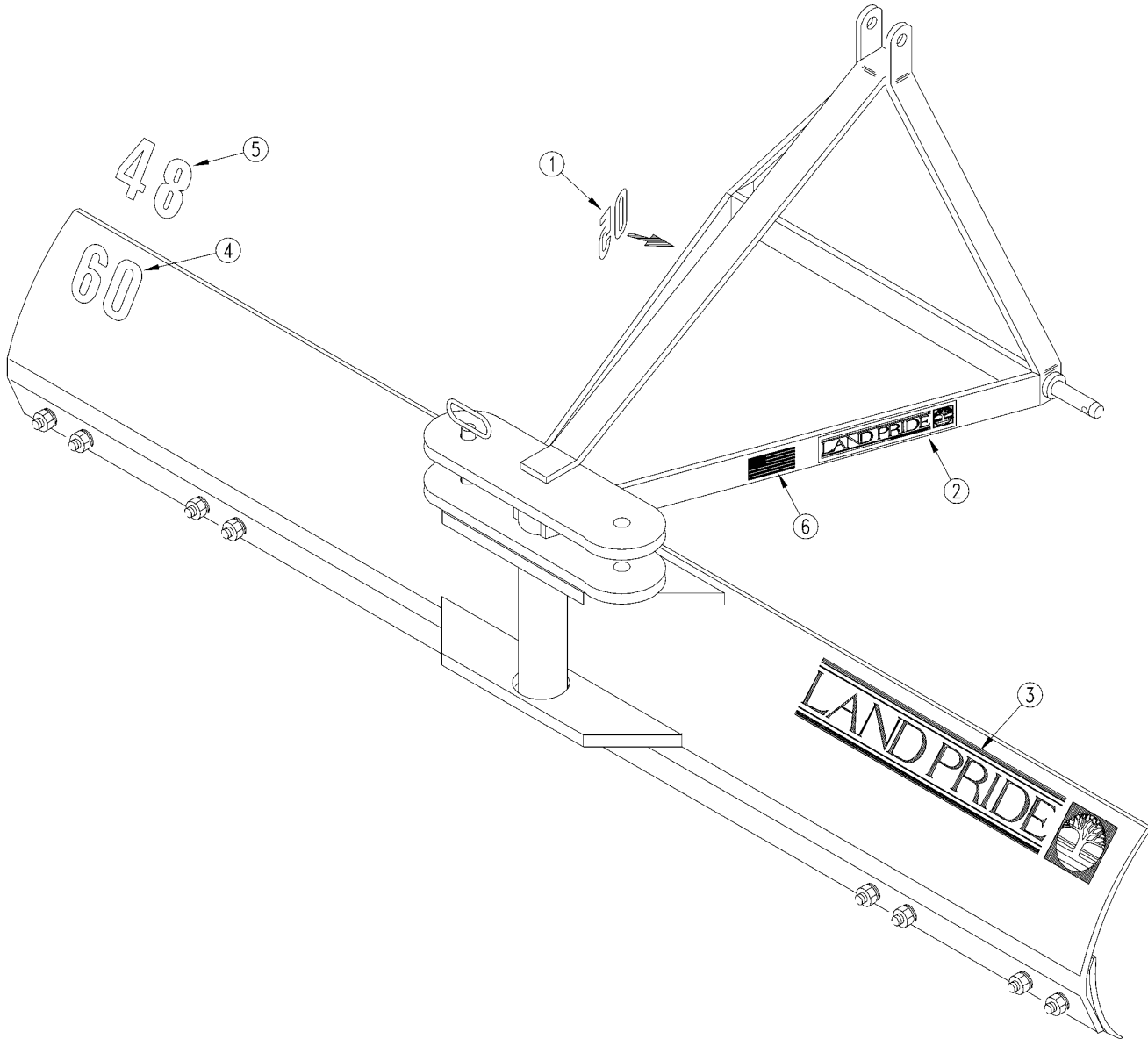
14936

Blade (S/N 106400+)**Applies to RB0548, RB0560**

Ref	Part No.	Part Description	Comments	Revision
	Dwg 14936	Drawing Image Number		
1.	301-145A	0548 BLADE ASSEMBLY	Includes one of items 2 through 6; 10 part no.301-003D; 11 part no. 820-030C; two of item 13; four of item 9; six of item 12 and eight of items 7 & 8.	
1.	301-146A	0560 BLADE ASSEMBLY	Includes one of items 2 through 6; 10 part no.301-004D; 11 part no. 820-031C; two of item 13; four of item 9; eight of item 12 and ten of items 7 & 8.	
2.	805-214C	PIN BENT 7/8 OD X 5 1/8 PLATED		Rev. 2
2.	300-337D	RPBY 805-214C		Rev 1; Use up stock
3.	805-017C	PIN COTTER 3/16 X 1 3/4 PLT		
4.	803-185C	NUT HEX SLOTTED 5/8-18 PLT		
5.	301-151D	05 PIVOT CAP		
6.	301-307H	05 BLADE MOUNT WELDMENT	48" (S/N 622841+) 60" (S/N 629174+)	
6.	301-142H	05 BLADE MOUNT WELDMENT	48" (S/N 622840-) 60" (S/N 629173-)	
7.	803-020C	NUT HEX 1/2-13 PLT		
8.	804-015C	WASHER LOCK SPRING 1/2 PLT		
9.	804-016C	WASHER FLAT 1/2 SAE PLT		
10.	301-353D	MOLDBOARD 0548	S/N 633941+	
10.	301-003D	4' MOLDBOARD	S/N 633940-	
10.	301-354D	MOLDBOARD 0560	S/N 633262+	
10.	301-004D	5' MOLDBOARD	S/N 633261-	
11.	820-030C	CUTTING EDGE 4' FLAT		
11.	820-031C	CUTTING EDGE 5' FLAT		
12.	802-214C	RHSNB 1/2-13X1 1/4 GR5		
13.	802-331C	RHSNB 1/2-13X1 3/4 GR5		
14.	803-037C	NUT HEX WHIZ 1/2-13 PLT	S/N 821298+	
14.	803-169C	NUT HEX FLG. LOCK 1/2-13 PLT.	S/N 821297-	

Decal Placement (S/N 106399-)

Applies to RB0548, RB0560



10328

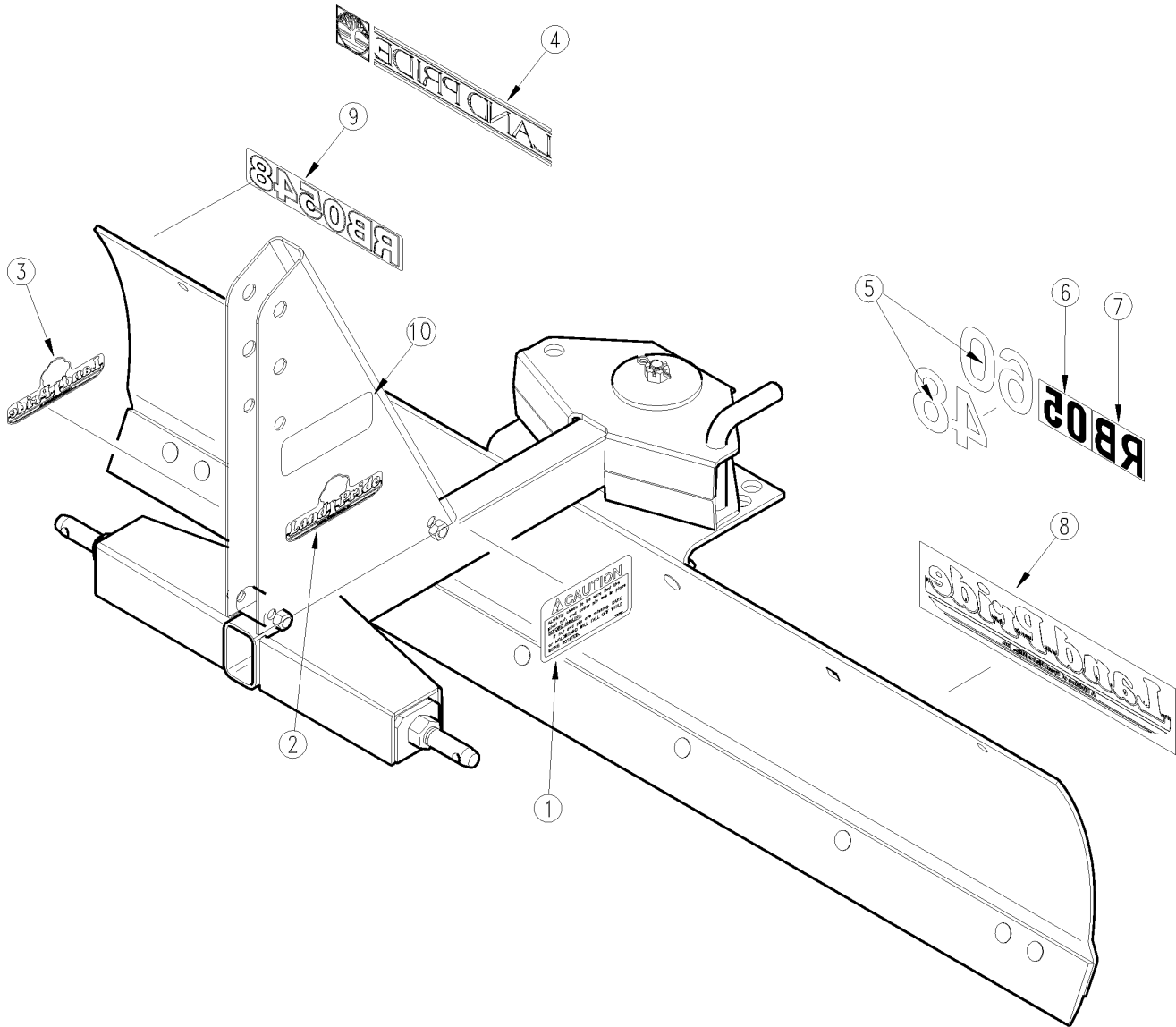
Decal Placement (S/N 106399-)

Applies to RB0548, RB0560

Ref	Part No.	Part Description	Comments	Revision
	Dwg 10328	Drawing Image Number		
1.	818-083C	DECAL 05 SERIES LP - BLACK		
2.	818-164C	LP LOGO SMALL GREEN		
3.	818-163C	LP LOGO LARGE BUCKSKIN		
4.	818-107C	N/A	OBSOLETE	
5.	818-104C	DECAL 48 LP -BUCKSKIN		
6.	N/A	DISCONTINUED DECAL		

Decal Placement (S/N 106400+)

Applies to RB0548, RB0560



17582

Decal Placement (S/N 106400+)**Applies to RB0548, RB0560**

Ref	Part No.	Part Description	Comments	Revision
	Dwg 17582	Drawing Image Number		
	301-121A	RB0548 DECAL PACKAGE		
	301-122A	RB0560 DECAL PACKAGE		
1.	818-202C	DECAL CAUTION FALL MBOARD/RAKE		
2.	818-890C	RPBY 838-963C	(S/N 252248+) Beige Unit	Rev. 3 not compat. w/Rev. 2
2.	838-963C	DECAL LP 10" W/TREE BROWN/GOLD	Orange Unit	
2.	818-164C	LP LOGO SMALL GREEN	(S/N 252247-)	Rev. 2
2.	818-083C	DECAL 05 SERIES LP - BLACK		Rev 1; Use up stock
3.	818-890C	RPBY 838-963C	(S/N 252248+) Beige Unit	Rev. 2 not compat. w/Rev. 1
3.	838-963C	DECAL LP 10" W/TREE BROWN/GOLD	Orange Unit	
3.	818-164C	LP LOGO SMALL GREEN	(S/N 252247-)	Rev. 1
4.	818-163C	LP LOGO LARGE BUCKSKIN	(S/N 252247-)	
5.	818-104C	DECAL 48 LP -BUCKSKIN	(S/N 252247-)	
5.	818-107C	N/A	OBSOLETE	
6.	818-100C	N/A	OBSOLETE	
7.	818-726C	DECAL RB LAND PRIDE BUCKSKIN	(S/N 252247-)	
8.	818-902C	RPBY 838-965C	(S/N 252248+)	
8.	838-965C	DECAL LANDPRIDE 16" BROWN/GOLD		
9.	818-971C	DECAL RB0548-BEIGE	(S/N 252248+)	
9.	818-972C	DECAL RB0560-BEIGE	(S/N 252248+)	
10.	838-517C	DECAL QUICK HITCH SYSTEM	S/N 976534+	

Touch-up Paints - LP

Applies to RB0548, RB0560

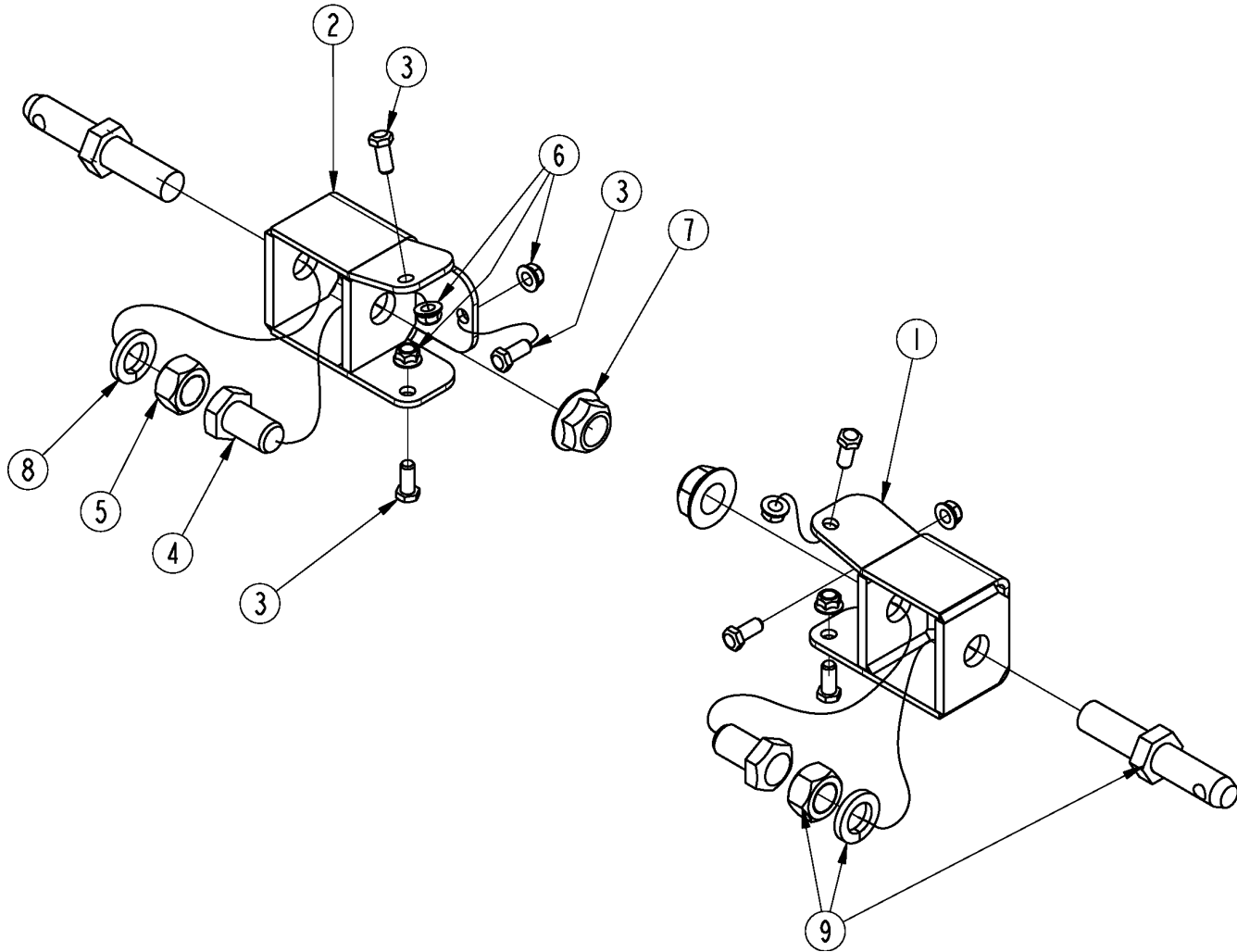
No diagram associated with this Parts List

Touch-up Paints - LP**Applies to RB0548, RB0560**

Ref	Part No.	Part Description	Comments	Revision
1.	821-011C	LP BEIGE SPRAY CAN	Spray can	
1.	821-011CTU	LP BEIGE TOUCH-UP 5OZ	Touch-up bottle with brush	
1.	821-011CQT	LP BEIGE QUART	Quart can	
1.	821-011CGL	LP BEIGE GALLON	Gallon can	
2.	821-070C	GLOSS BLACK SPRAY CAN	Spray can	
2.	821-070CTU	GLOSS BLACK TOUCH-UP 5OZ	Touch-up bottle with brush	
2.	821-070CQT	GLOSS BLACK QUART	Quart can	
2.	821-070CGL	GLOSS BLACK GALLON	Gallon can	
3.	821-054C	MED. RED SPRAY TRCK/CTR	Spray can	
3.	821-054CTU	MED RED TOUCH-UP 5OZ	Touch-up bottle with brush	
3.	821-054CQT	MED RED QUART	Quart can	
3.	821-054CGL	MED RED GALLON	Gallon can	
4.	821-058C	GREEN SPRAY CUTTERS	Spray can	
4.	821-058CTU	GREEN TOUCH-UP 5OZ	Touch-up bottle with brush	
4.	821-058CQT	GREEN QUART	Quart can	
4.	821-058CGL	GREEN GALLON	Gallon can	
5.	821-066C	ORANGE SPRAY CAN	Spray can	
5.	821-066CTU	ORANGE TOUCH-UP 5OZ	Touch-up bottle with brush	
5.	821-066CQT	ORANGE QUART	Quart can	
5.	821-066CGL	ORANGE GALLON	Gallon can	
6.	821-067C	BLUE SPRAY CAN	Spray can	
6.	821-067CTU	BLUE TOUCH-UP 5OZ	Touch-up bottle with brush	
6.	821-067CQT	BLUE QUART	Quart can	
6.	821-067CGL	BLUE GALLON	Gallon can	
7.	821-080C	PAINT ALUMINUM/ZINC SPRAY CAN	Spray can	
7.	821-080CTU	PAINT ALUMINUM/ZINC TOUCH UP	Touch-up bottle with brush	
7.	821-080CQT	PAINT ALUMINUM/ZINC QUART	Quart can	
7.	821-080CGL	PAINT ALUMINUM/ZINC GALLON	Gallon can	

Hitch Extension Kit

Applies to RB0548



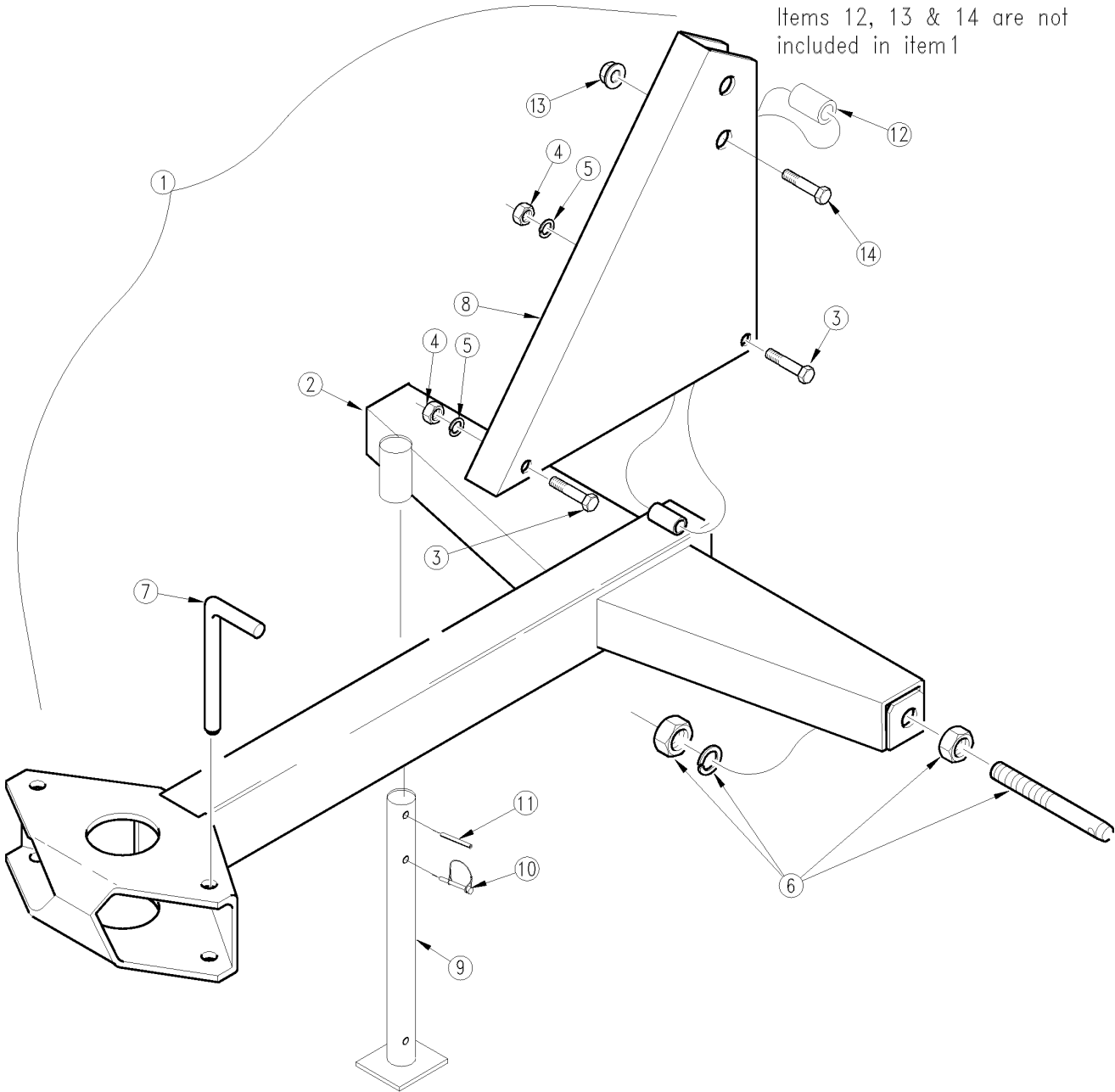
39260

Hitch Extension Kit**Applies to RB0548**

Ref	Part No.	Part Description	Comments	Revision
	Dwg 39260	Image No.		
	300-274A	EXTENSION CAT0 TO CAT1 KIT	Beige Kit	
	300-274A82	EXTENSION CAT0 TO CAT1 KIT ORANGE	Orange Kit	
	*			
1.	300-272H	RH EXTENSION CAT0 TO CAT1	Beige	
1.	300-272H82	RH EXTENSION CAT0 TO CAT1 ORANGE	Orange	
2.	300-273H	LH EXTENSION CAT0 TO CAT1	Beige	
2.	300-273H82	LH EXTENSION CAT0 TO CAT1 ORANGE	Orange	
3.	802-417C	HHCS 3/8-16X7/8 GR5		
4.	802-622C	HHCS 7/8-9X1 1/2 GR5		
5.	803-149C	NUT HEX 7/8-14 PLT		
6.	803-209C	NUT FLANGE LOCK 3/8-16 PLT		
7.	803-349C	NUT HEX FLG LCK 7/8-9 PLT		
8.	804-037C	WASHER LOCK SPRING 7/8 PLT		
9.	805-111C	PIN HTCH C1 7/8-14 THD W/N		

Frame (S/N 32360+)

Applies to RB1560, RB1572, RB1584



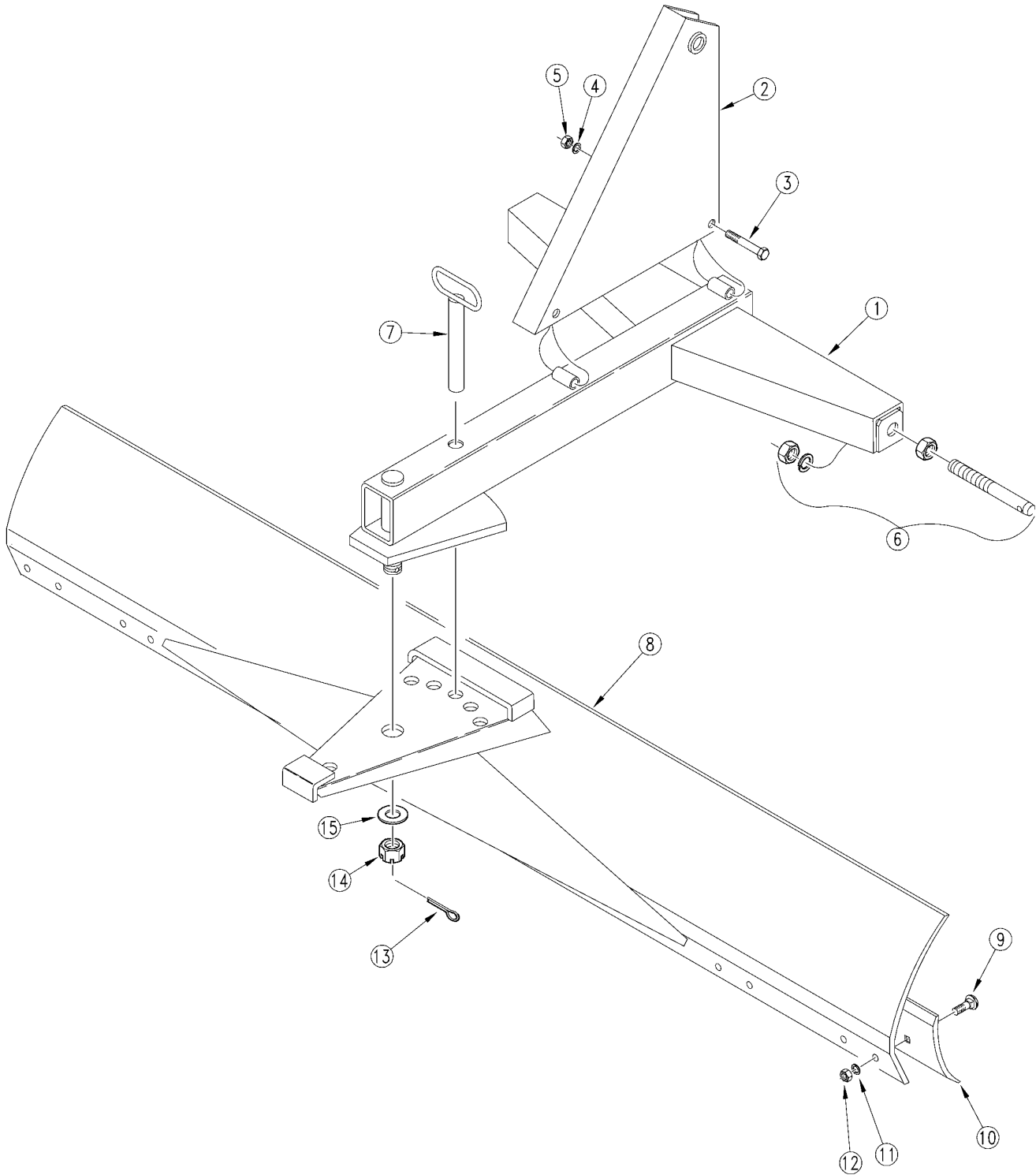
14937

Frame (S/N 32360+)**Applies to RB1560, RB1572, RB1584**

Ref	Part No.	Part Description	Comments	Revision
	Dwg 14937 300-120B	Drawing Image Number 15 RB & RAKE HARDWARE BAG		
1.	300-109A	15 SERIES FRAME BUNDLE	Includes one of item 7 and two of items 3 through 6. Includes of items 2, 8 part no. 300-120B	
2.	300-105H	15 SERIES FRAME WELD		
2.	300-105H81	15 SERIES FRAME WELD GREEN		
2.	300-105H82	15 SERIES FRAME WELD ORANGE		
3.	802-099C	HHCS 1/2-13X3 1/4 GR5		
4.	803-020C	NUT HEX 1/2-13 PLT		
5.	804-015C	WASHER LOCK SPRING 1/2 PLT		
6.	805-111C	PIN DRAW 7/8 X 5		
7.	805-213C	PIN BENT 1 OD X 7 PLATED		Rev. 2
7.	300-299D	RPBY 805-213C		Rev 1; Use up stock
8.	300-190D	UPPER HITCH		
8.	300-190D81	UPPER HITCH GREEN		
8.	300-190D82	UPPER HITCH ORANGE		
9.	300-171H	SUPPORT STAND LR & RB35/25/15	S/N 475594+	
10.	805-065C	PIN WIRE RETAINING 1/4 X 1 3/4	S/N 475594+	
11.	805-161C	PIN ROLL 3/8 X 1 3/4 LG PLT	S/N 475594+	
12.	308-400D	SPACER 1 1/4OD X 25/32ID X 2LG	Optional Quick Hitch Spacer	
12.	308-339D	RPBY 308-400D	Optional Quick Hitch Spacer	
13.	803-299C	NUT HEX FLG TOP LK 3/4-10 PLT		
14.	802-066C	HHCS 3/4-10X3 1/2 GR5		

Frame and Blade (S/N 32359-)

Applies to RB1560, RB1572, RB1584



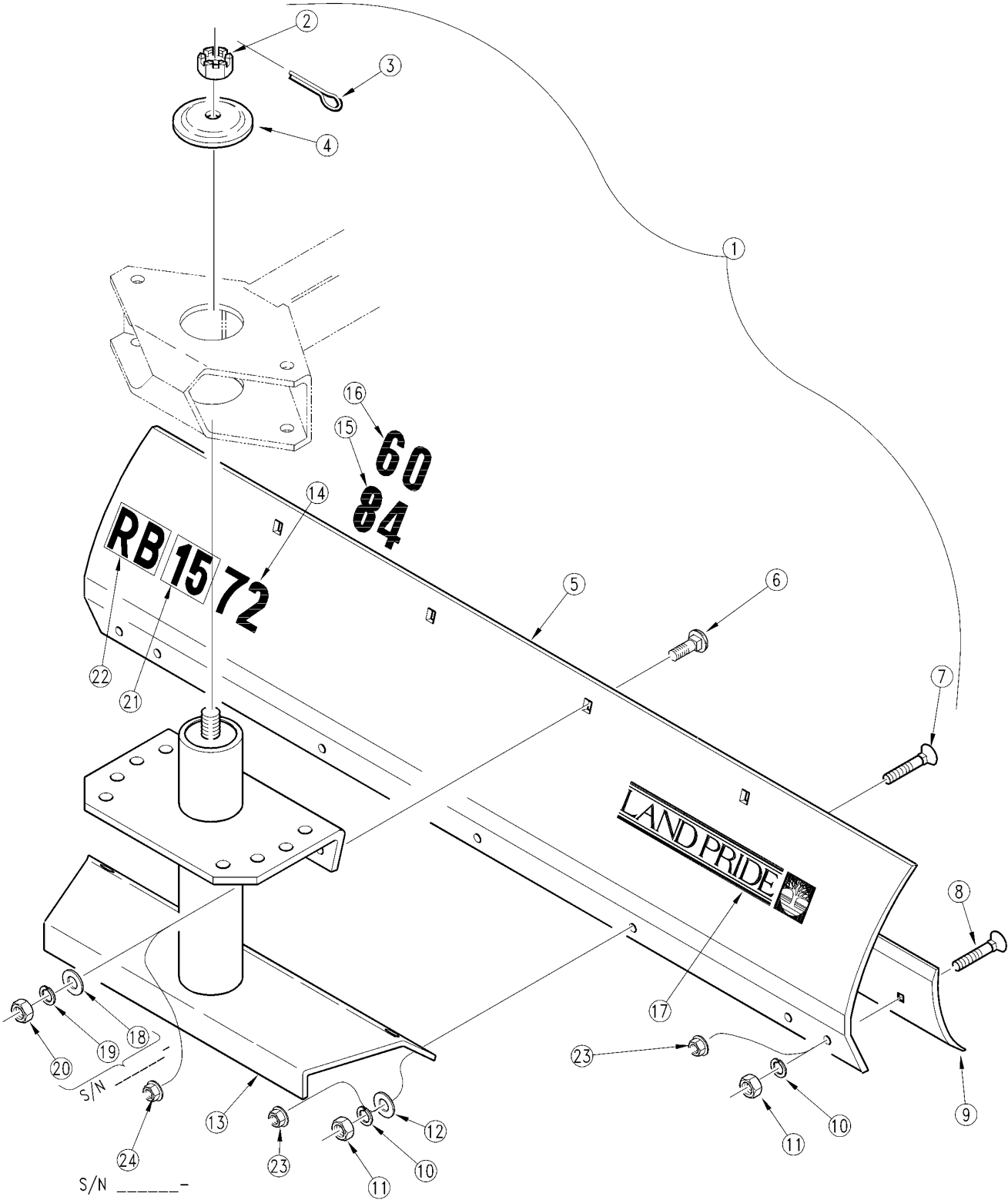
14629

Frame and Blade (S/N 32359-)**Applies to RB1560, RB1572, RB1584**

Ref	Part No.	Part Description	Comments	Revision
	dwg14629	Drawing Image Number		
	300-064A	15 SERIES FRAME REPLY 300-133A	Includes one of items 1; 2; 7; 13; 14 and 15 and two of items 3 through 6	
	301-005A	6' BLADE ASSEMBLY	Includes one of items 8 part no. 301-006H and 10 part no. 820-043C and eight of items 9; 11 and 12	
	301-008A	7' BLADE ASSEMBLY	Includes one of items 8 part no. 301-009H and 10 part no. 820-046C and nine of items 9; 11 and 12	
1.	300-063H	15 SERIES FRAME		
2.	300-060H	REPL BY 300-190D		
3.	802-099C	HHCS 1/2-13X3 1/4 GR5		
4.	804-015C	WASHER LOCK SPRING 1/2 PLT		
5.	803-020C	NUT HEX 1/2-13 PLT		
6.	805-111C	PIN DRAW 7/8 X 5		
7.	300-053H	PIN WELDMENT		
8.	N/A	6' BLADE WELDMENT		
8.	N/A	7' BLADE WELDMENT		
9.	802-206C	PLOW 5/8-11X1 3/4 GR5		
10.	820-043C	GRADER BLADE 1/2 X 6 X 71 1/2		
10.	820-046C	GRADER BLADE 1/2 X 6 X 83 1/2		
11.	804-022C	WASHER LOCK SPRING 5/8 PLT		
12.	803-021C	NUT HEX 5/8-11 PLT		
13.	805-016C	PIN COTTER 3/16 X 1 1/4 PLT		
14.	803-029C	NUT HEX SLOTTED 7/8-14 PLT		
15.	804-055C	WASHER SPINDLE - 7/8		

Blade (S/N 32360+)

Applies to RB1560, RB1572, RB1584



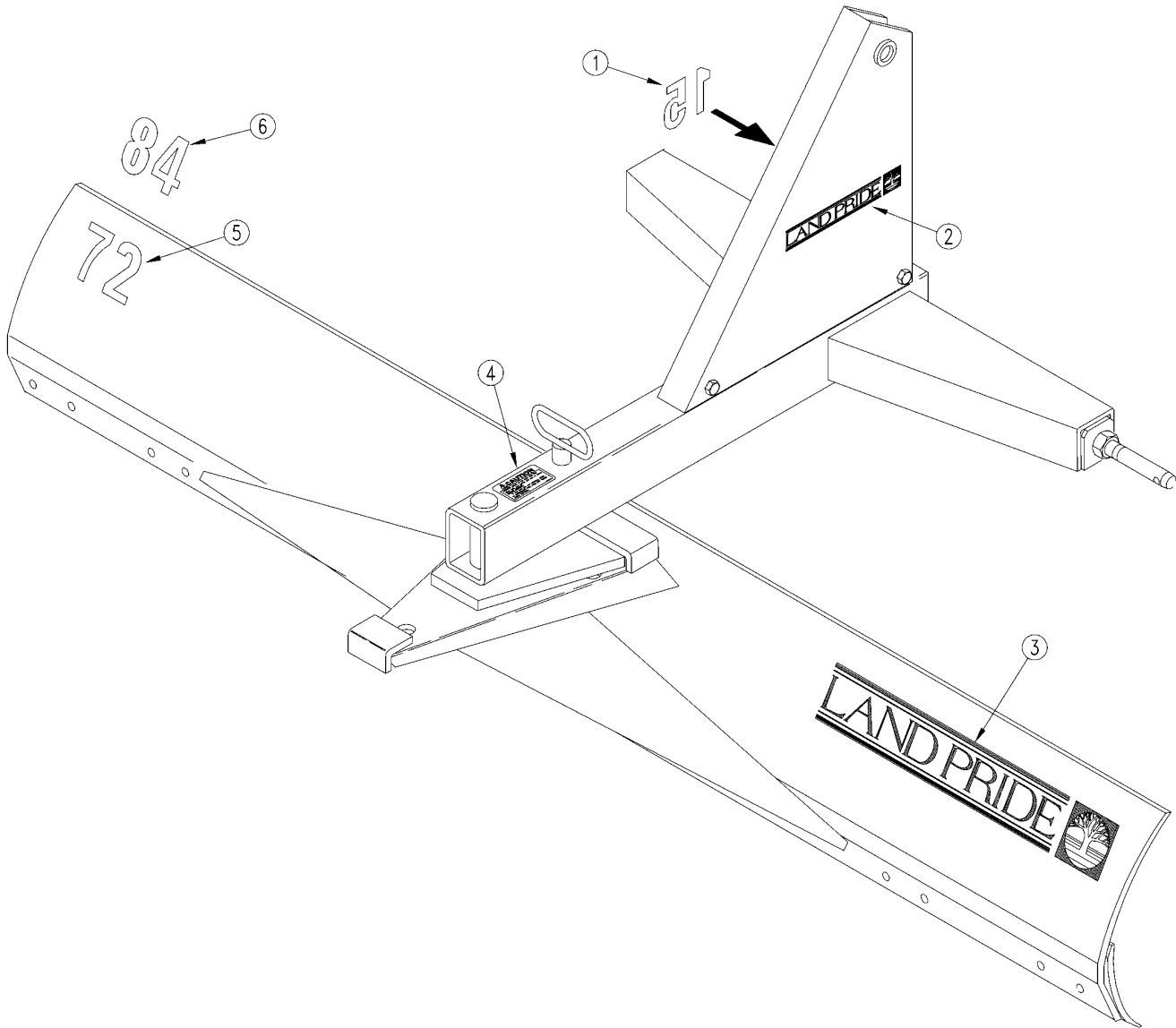
14938

Blade (S/N 32360+)**Applies to RB1560, RB1572, RB1584**

Ref	Part No.	Part Description	Comments	Revision
	Dwg 14938	Drawing Image Number		
1.	301-115A	15-5' BLADE ASSEMBLY	Includes one of items 2 through 4; item 5 part no. 301-130D; item 9 part no. 820-041C; 13; 16; 17; two of items 6; 18 through 20; three of items 7; 12; four of item 8 and seven of items 10; 11.	
1.	301-116A	15-6' BLADE ASSEMBLY	Includes one of items 2 through 4; item 5 part no. 301-131D; item 9 part no. 820-079C; 13; 16; 17; two of items 6; 18 through 20; three of items 7; 12; four of item 8 and seven of items 10; 11.	
1.	301-117A	15-7' BLADE ASSEMBLY	Includes one of items 2 through 4; item 5 part no. 301-132D; item 9 part no. 820-046C; 13; 16; 17; two of items 6; 18 through 20; three of items 7; 12; six of item 8 and nine of items 10; 11.	
2.	803-053C	NUT HEX SLOTTED 3/4-16		
3.	805-017C	PIN COTTER 3/16 X 1 3/4 PLT		
4.	301-139D	PIVOT CAP		
5.	301-355D	5' -15 SERIES MOLDBOARD	S/N 633207+	
5.	N/A	5'-15 SERIES BLADE PANEL	S/N 633206-	
5.	301-356D	6' -15 SERIES MOLDBOARD	S/N 633207+	
5.	301-131D	6'-15 SERIES BLADE PANEL	S/N 633266-	
5.	301-357D	7' -15 SERIES MOLDBOARD	S/N 633207+	
5.	301-132D	7'-15 SERIES BLADE PANEL	S/N 633206-	
6.	802-214C	RHSNB 1/2-13X1 1/4 GR5		
7.	802-206C	PLOW 5/8-11X1 3/4 GR5		
8.	802-236C	PLOW 5/8-11X1 1/2 GR5		
9.	820-041C	GRADER BLADE 1/2 X 6 X 59 1/2		
9.	820-079C	GRADER BLADE 1/2 X 6 X 71 1/2		
9.	820-046C	GRADER BLADE 1/2 X 6 X 83 1/2		
10.	804-022C	WASHER LOCK SPRING 5/8 PLT	Replace W/ Item 23	
11.	803-021C	NUT HEX 5/8-11 PLT	Replace W/ Item 23	
12.	804-021C	WASHER FLAT 5/8 SAE PLT	(S/N 307724+)	Rev. 2
12.	804-019C	WASHER FLAT 5/8 USS PLT	(S/N 307723-)	Rev 1; Use up stock
13.	301-308H	15 BLADE MOUNT WELDMENT	S/N 633207+	
13.	301-113H	BLADE MOUNT WELDMENT	Obsolete (S/N 633206-)	
14.	818-109C	DECAL 72 LP - BUCKSKIN	Obsolete	
15.	818-111C	DECAL 84 LP -BUCKSKIN		
16.	818-107C	N/A	Obsolete	
17.	818-163C	LP LOGO LARGE BUCKSKIN		
18.	804-017C	WASHER FLAT 1/2 USS PLT		
19.	804-015C	WASHER LOCK SPRING 1/2 PLT		
20.	803-020C	NUT HEX 1/2-13 PLT		
21.	818-101C	DECAL 15 SERIES LP - BUCKSKIN	Obsolete	
22.	818-726C	DECAL RB LAND PRIDE BUCKSKIN		
23.	803-304C	NUT HEX WHIZ 5/8-11 PLT	S/N 815206+	
23.	803-263C	NUT HEX FLANGE LOCK 5/8-11 PLT	S/N 815205-	
24.	803-037C	NUT HEX WHIZ 1/2-13 PLT	S/N 821298+	
24.	803-169C	NUT HEX FLG. LOCK 1/2-13 PLT.	S/N 821297-	

Decal Placement (S/N 32359-)

Applies to RB1560, RB1572, RB1584



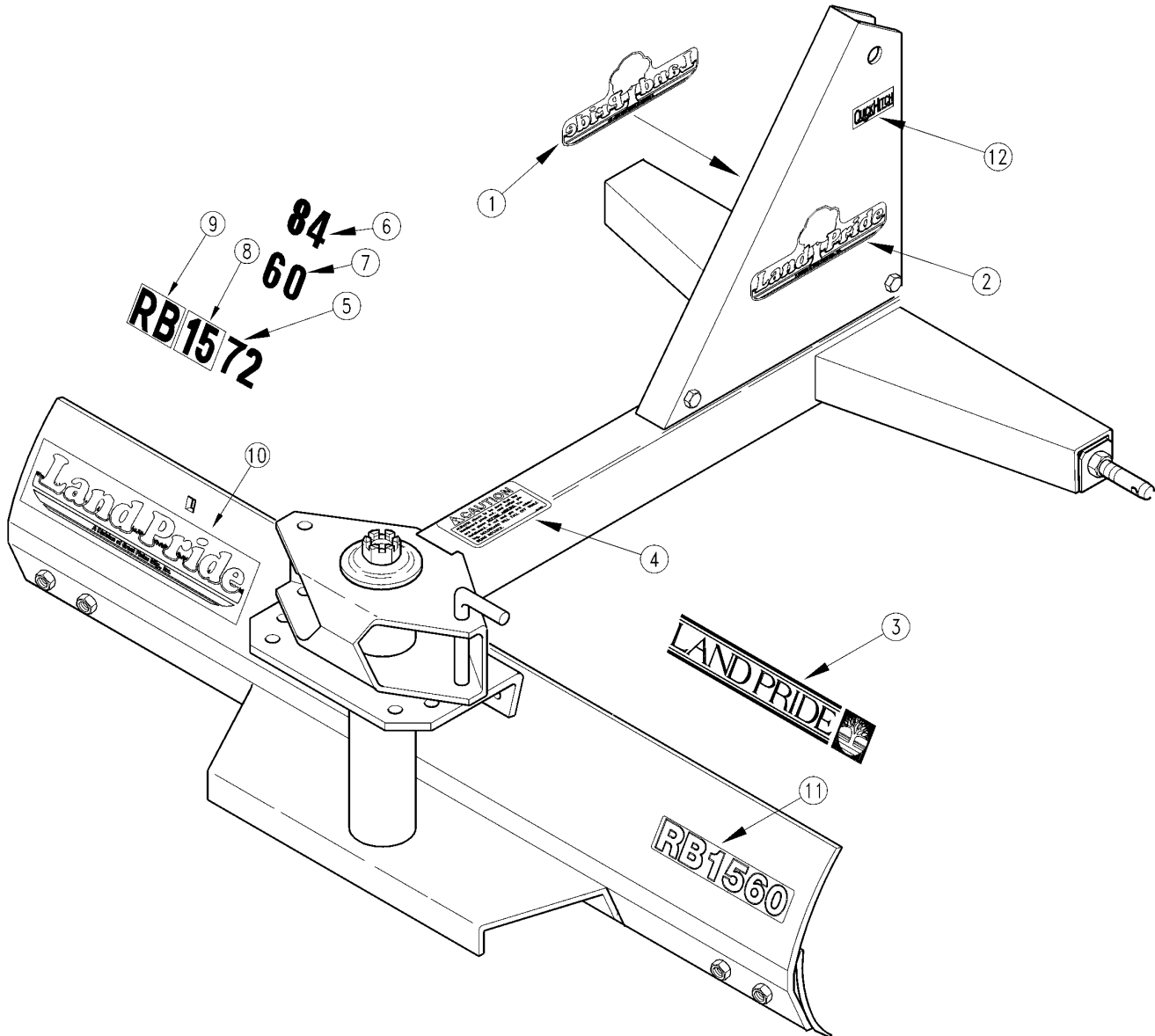
Decal Placement (S/N 32359-)

Applies to RB1560, RB1572, RB1584

Ref	Part No.	Part Description	Comments	Revision
	Dwg 10334	Drawing Image Number		
1.	818-084C	DECAL 15 SERIES LP - BLACK	Obsolete	
2.	818-164C	LP LOGO SMALL GREEN		
3.	818-163C	LP LOGO LARGE BUCKSKIN		
4.	818-202C	DECAL CAUTION FALL MBOARD/RAKE		
5.	818-111C	DECAL 84 LP -BUCKSKIN		
6.	818-109C	DECAL 72 LP - BUCKSKIN	Obsolete	

Decal Placement (S/N 32360+)

Applies to RB1560, RB1572, RB1584



Decal Placement (S/N 32360+)**Applies to RB1560, RB1572, RB1584**

Ref	Part No.	Part Description	Comments	Revision
	Dwg 17583	Drawing Image Number		
1.	818-891C	RPBY 838-962C	(S/N 252248+) Beige Unit	Rev. 3 not compat. w/Rev. 2
1.	838-962C	DECAL LP 13" W/TREE BROWN/GOLD	Green & Orange Unit	
1.	818-164C	LP LOGO SMALL GREEN	(S/N _____ <-> 252247)	Rev. 2
1.	818-084C	DECAL 15 SERIES LP - BLACK	(S/N _____ -) Obsolete	Rev 1; Use up stock
2.	818-891C	RPBY 838-962C	(S/N 252248+) Beige Unit	Rev. 2 not compat. w/Rev. 1
2.	838-962C	DECAL LP 13" W/TREE BROWN/GOLD	Green & Orange Unit	
2.	818-164C	LP LOGO SMALL GREEN	(S/N 252247-)	Rev. 1
3.	818-163C	LP LOGO LARGE BUCKSKIN	(S/N 252247-)	
4.	818-202C	DECAL CAUTION FALL MBOARD/RAKE		
5.	818-109C	DECAL 72 LP - BUCKSKIN	(S/N 252247-) Obsolete	
6.	818-111C	DECAL 84 LP -BUCKSKIN	(S/N 252247-)	
7.	818-107C	N/A	Obsolete	
8.	818-101C	DECAL 15 SERIES LP - BUCKSKIN	(S/N 252247-) Obsolete	
9.	818-726C	DECAL RB LAND PRIDE BUCKSKIN	(S/N 252247-)	
10.	818-902C	RPBY 838-965C	(S/N 252248+)	
10.	838-965C	DECAL LANDPRIDE 16" BROWN/GOLD		
11.	818-973C	DECAL RB1560-BEIGE	(S/N 252248+)	
11.	818-974C	DECAL RB1572-BEIGE	(S/N 252248+)	
11.	818-975C	DECAL RB1584-BEIGE	(S/N 252248+)	
12.	838-517C	DECAL QUICK HITCH SYSTEM		

Touch-up Paints - LP

Applies to RB1560, RB1572, RB1584

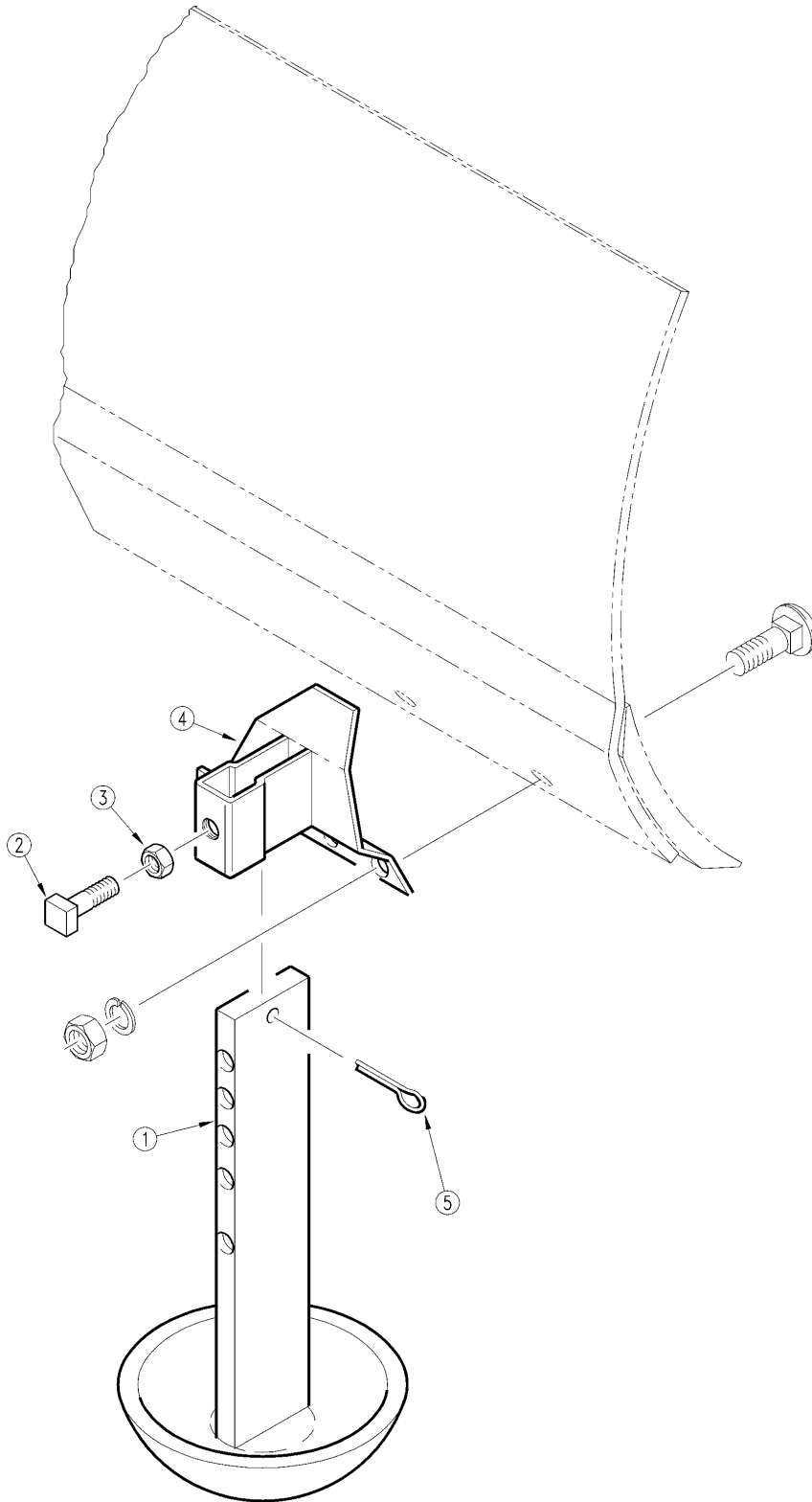
No diagram associated with this Parts List

Touch-up Paints - LP**Applies to RB1560, RB1572, RB1584**

Ref	Part No.	Part Description	Comments	Revision
1.	821-011C	LP BEIGE SPRAY CAN	Spray can	
1.	821-011CTU	LP BEIGE TOUCH-UP 5OZ	Touch-up bottle with brush	
1.	821-011CQT	LP BEIGE QUART	Quart can	
1.	821-011CGL	LP BEIGE GALLON	Gallon can	
2.	821-070C	GLOSS BLACK SPRAY CAN	Spray can	
2.	821-070CTU	GLOSS BLACK TOUCH-UP 5OZ	Touch-up bottle with brush	
2.	821-070CQT	GLOSS BLACK QUART	Quart can	
2.	821-070CGL	GLOSS BLACK GALLON	Gallon can	
3.	821-054C	MED. RED SPRAY TRCK/CTR	Spray can	
3.	821-054CTU	MED RED TOUCH-UP 5OZ	Touch-up bottle with brush	
3.	821-054CQT	MED RED QUART	Quart can	
3.	821-054CGL	MED RED GALLON	Gallon can	
4.	821-058C	GREEN SPRAY CUTTERS	Spray can	
4.	821-058CTU	GREEN TOUCH-UP 5OZ	Touch-up bottle with brush	
4.	821-058CQT	GREEN QUART	Quart can	
4.	821-058CGL	GREEN GALLON	Gallon can	
5.	821-066C	ORANGE SPRAY CAN	Spray can	
5.	821-066CTU	ORANGE TOUCH-UP 5OZ	Touch-up bottle with brush	
5.	821-066CQT	ORANGE QUART	Quart can	
5.	821-066CGL	ORANGE GALLON	Gallon can	
6.	821-067C	BLUE SPRAY CAN	Spray can	
6.	821-067CTU	BLUE TOUCH-UP 5OZ	Touch-up bottle with brush	
6.	821-067CQT	BLUE QUART	Quart can	
6.	821-067CGL	BLUE GALLON	Gallon can	
7.	821-080C	PAINT ALUMINUM/ZINC SPRAY CAN	Spray can	
7.	821-080CTU	PAINT ALUMINUM/ZINC TOUCH UP	Touch-up bottle with brush	
7.	821-080CQT	PAINT ALUMINUM/ZINC QUART	Quart can	
7.	821-080CGL	PAINT ALUMINUM/ZINC GALLON	Gallon can	

Skid Shoe

Applies to RB1560, RB1572, RB1584



13541

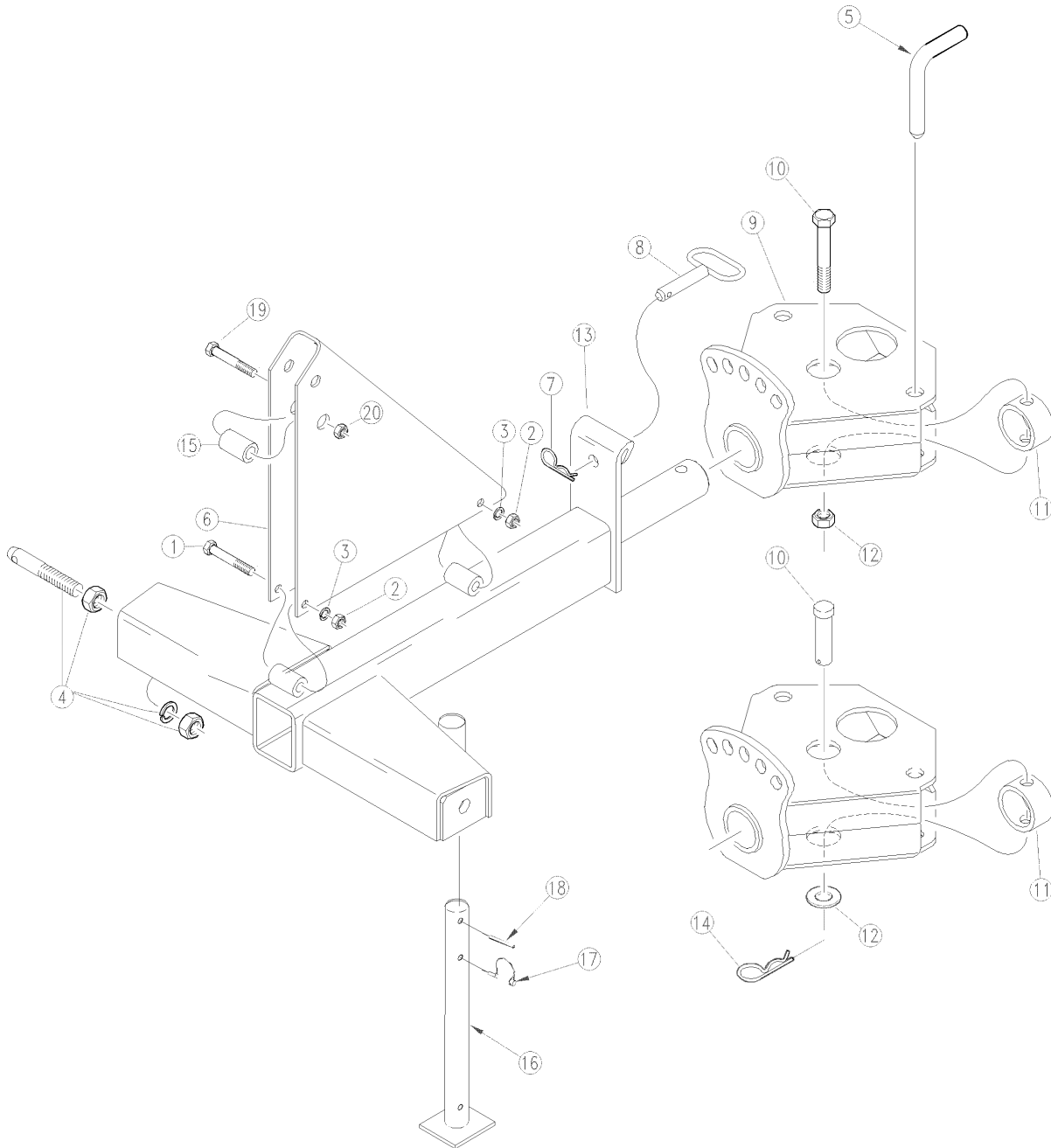
Skid Shoe

Applies to RB1560, RB1572, RB1584

Ref	Part No.	Part Description	Comments	Revision
	dwg13541	Drawing Image Number		
	301-330A	SKID SHOE ASSEMBLY	RB(T)1560, RB(T)1572 & RB(T)1584 Sn 633207+ (Includes 2 of items 1-5)	
	301-012A	SKID SHOE ASSEMBLY	RB(T)1560 & RB(T)1584 S/N 633206- (Includes 2 of items 1-5)	
	301-138A	1572 SKID SHOE ASSY	RB(T)1572 S/N 633206- (Includes 2 of items 1-5)	
		*		
1.	301-013H	SKID SHOE		
2.	801-046C	SCRW SET SQ HD1/2-13X2 GR5 PLT		
3.	803-020C	NUT HEX 1/2-13 PLT		
4.	301-331H	SKID SHOE MOUNT WELD ASSY	RB(T)1560, RB(T)1572 & RB(T)1584 Sn 633207+	
4.	301-014H	SKID SHOE MOUNT WELDMENT	RB(T)1560 & RB(T)1584 S/N 633206-	
4.	301-137H	1572 SKID SHOE MOUNT WELD ASSY	RB(T)1572 S/N 633206-	
5.	805-020C	PIN COTTER 1/4 X 1 PLT		

Frame (S/N 106400+)

Applies to RBT1560, RBT1572, RBT1584



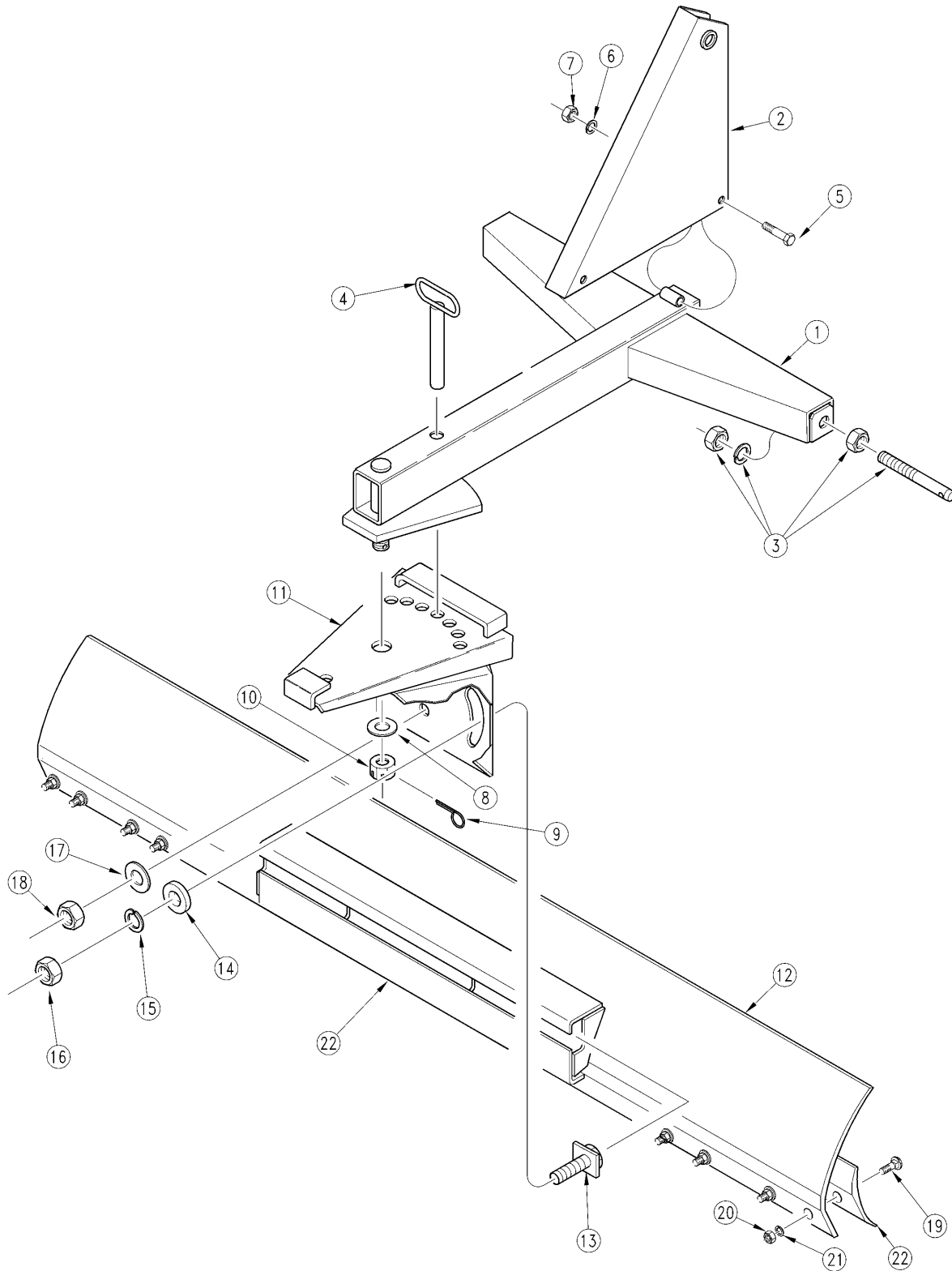
14939

Frame (S/N 106400+)**Applies to RBT1560, RBT1572, RBT1584**

Ref	Part No.	Part Description	Comments	Revision
	Dwg 14939	Drawing Image Number		
1.	802-099C	HHCS 1/2-13X3 1/4 GR5		
2.	803-020C	NUT HEX 1/2-13 PLT		
3.	804-015C	WASHER LOCK SPRING 1/2 PLT		
4.	805-111C	PIN DRAW 7/8 X 5		
5.	805-213C	PIN BENT 1 OD X 7 PLATED		
6.	300-190D	UPPER HITCH		
6.	300-190D82	UPPER HITCH ORANGE		
7.	805-032C	PIN HAIR COTTER .148 WIRE		
8.	805-202C	RPBY 805-364C	Obsolete	
9.	300-130H	REAR FRAME WELDMENT		
9.	300-130H82	REAR FRAME WELDMENT ORANGE		
10.	802-204C	HHCS 3/4-10X3 3/4 GR5	(S/N 111252+)	Rev. 2 not compat. w/Rev. 1
10.	805-142C	PIN CLEVIS 3/4 X 3 1/2 PLT	(S/N 106400 <-> 111251)	Rev. 1
11.	300-328D	BRACKET COLLAR		
12.	803-026C	NUT LOCK 3/4-10 PLT	(S/N 111252+)	Rev. 2 not compat. w/Rev. 1
12.	804-025C	WASHER FLAT 3/4 SAE PLT	(S/N 106400 <-> 111251)	Rev. 1
13.	300-128H	FRONT FRAME WELDMENT		
13.	300-128H82	FRONT FRAME WELDMENT ORANGE		
14.	805-032C	PIN HAIR COTTER .148 WIRE	(S/N 106400 <-> 111251)	
15.	308-339D	FLOATING TOP LINK SPACER TUBE	Optional Quick Hitch Spacer	
16.	300-171H	SUPPORT STAND LR & RB35/25/15	S/N 477842+	
17.	805-065C	PIN WIRE RETAINING 1/4 X 1 3/4	S/N 477842+	
18.	805-161C	PIN ROLL 3/8 X 1 3/4 LG PLT	S/N 477842+	
19.	802-066C	HHCS 3/4-10X3 1/2 GR5	Optional Quick Hitch Spacer Hardware	
20.	803-299C	NUT HEX FLG TOP LK 3/4-10 PLT	Optional Quick Hitch Spacer Hardware	

Frame and Blade (S/N 106399-)

Applies to RBT1560, RBT1572, RBT1584



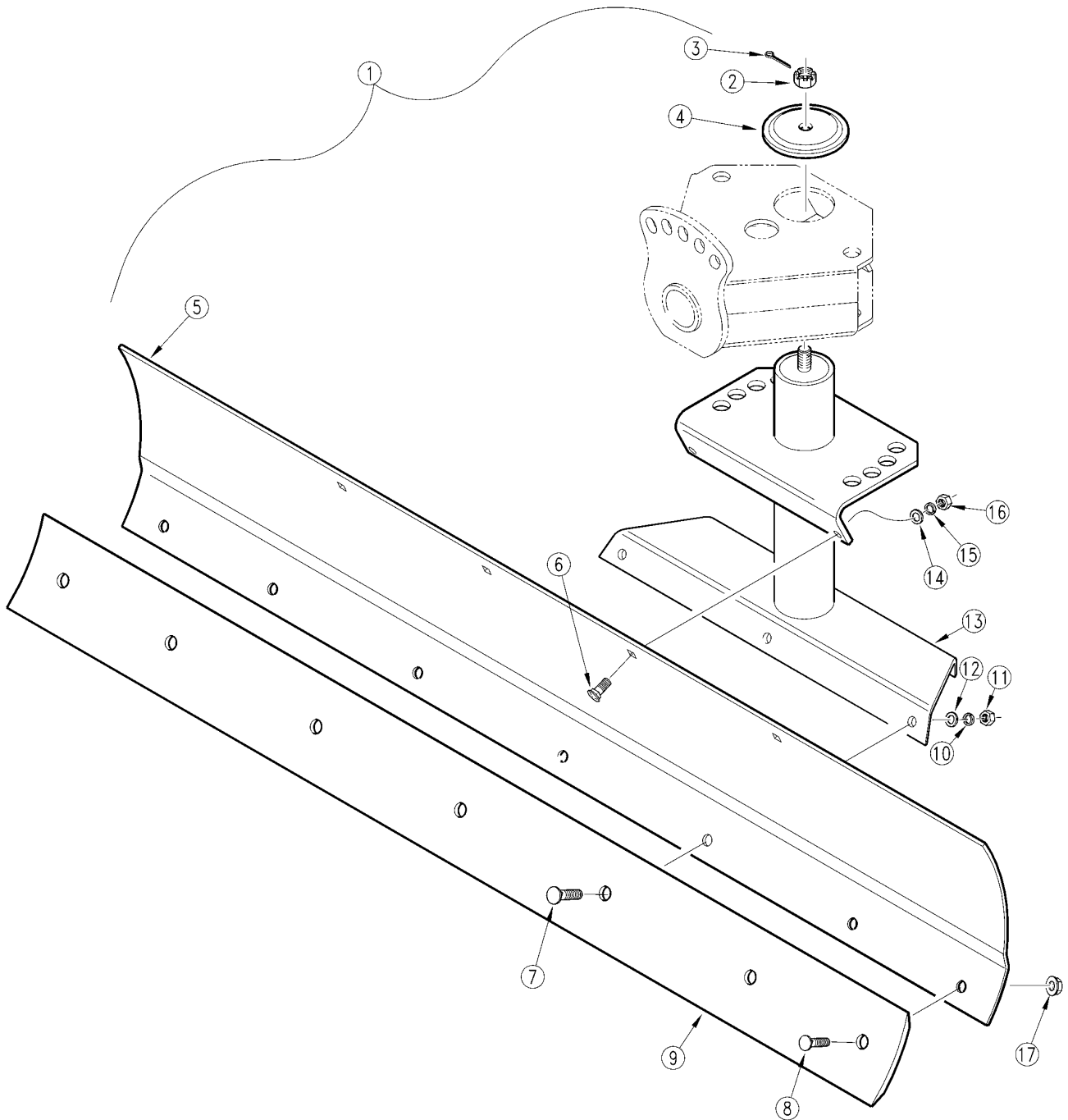
10330

Frame and Blade (S/N 106399-)**Applies to RBT1560, RBT1572, RBT1584**

Ref	Part No.	Part Description	Comments	Revision
	dwg10330 N/A	Drawing Image Number 15 SERIES FRAME	Includes one of items 1; 2; 8 through 10; and two of items 3; 5 through 7. Includes one of items 11; 12 part no. 301-088H; 17; 18 & 22 part no. 820-079C. two of items 14 through 16; three of item 13 and seven of items 19 through 21. Includes one of items 11; 12 part no. 301-089H; 17; 18 & 22 part no. 820-046C. two of items 14 through 16; three of item 13 and nine of items 19 through 21.	
	N/A	6' BLADE ASSY 15 SERIES		
	N/A	7' BLADE ASSY 15 SERIES		
1.	300-063H	15 SERIES FRAME		
2.	300-124S	15 UPPER HITCH W/DECALS		Rev. 3
2.	300-190D	UPPER HITCH		Rev 2; Use up stock
2.	300-060H	RPBY 300-190D		Rev 1; Use up stock
3.	805-111C	PIN DRAW 7/8 X 5		
4.	300-053H	PIN WELDMENT		
5.	802-099C	HHCS 1/2-13X3 1/4 GR5		
6.	804-015C	WASHER LOCK SPRING 1/2 PLT		
7.	803-020C	NUT HEX 1/2-13 PLT		
8.	804-055C	WASHER SPINDLE - 7/8		
9.	805-016C	PIN COTTER 3/16 X 1 1/4 PLT		
10.	803-029C	NUT HEX SLOTTED 7/8-14 PLT		
11.	301-086H	TILT OFFSET MOLDBOARD MTG		
12.	301-088H	6' TILT OFFSET MOLDBOARD		
12.	301-089H	7' TILT OFFSET MOLDBOARD		
13.	301-090H	CLAMP BOLT		
14.	301-065D	CLAMP LUG		
15.	804-027C	WASHER LOCK SPRING 1 PLT		
16.	803-031C	NUT HEX 1-8 PLT		
17.	804-028C	WASHER FLAT 1 USS		
18.	803-038C	NUT HEX 1-8 NYLON INSERT PLT		
19.	802-206C	PLOW 5/8-11X1 3/4 GR5		
20.	803-021C	NUT HEX 5/8-11 PLT		
21.	804-022C	WASHER LOCK SPRING 5/8 PLT		
22.	820-079C	GRADER BLADE 1/2 X 6 X 71 1/2	(S/N 58001+); Revision 2 is not interchangeable w/revision 1	
22.	820-043C	GRADER BLADE 1/2 X 6 X 71 1/2	(S/N 58000-); 1st revision	
22.	820-046C	GRADER BLADE 1/2 X 6 X 83 1/2		

Blade (S/N 106400+)

Applies to RBT1560, RBT1572, RBT1584



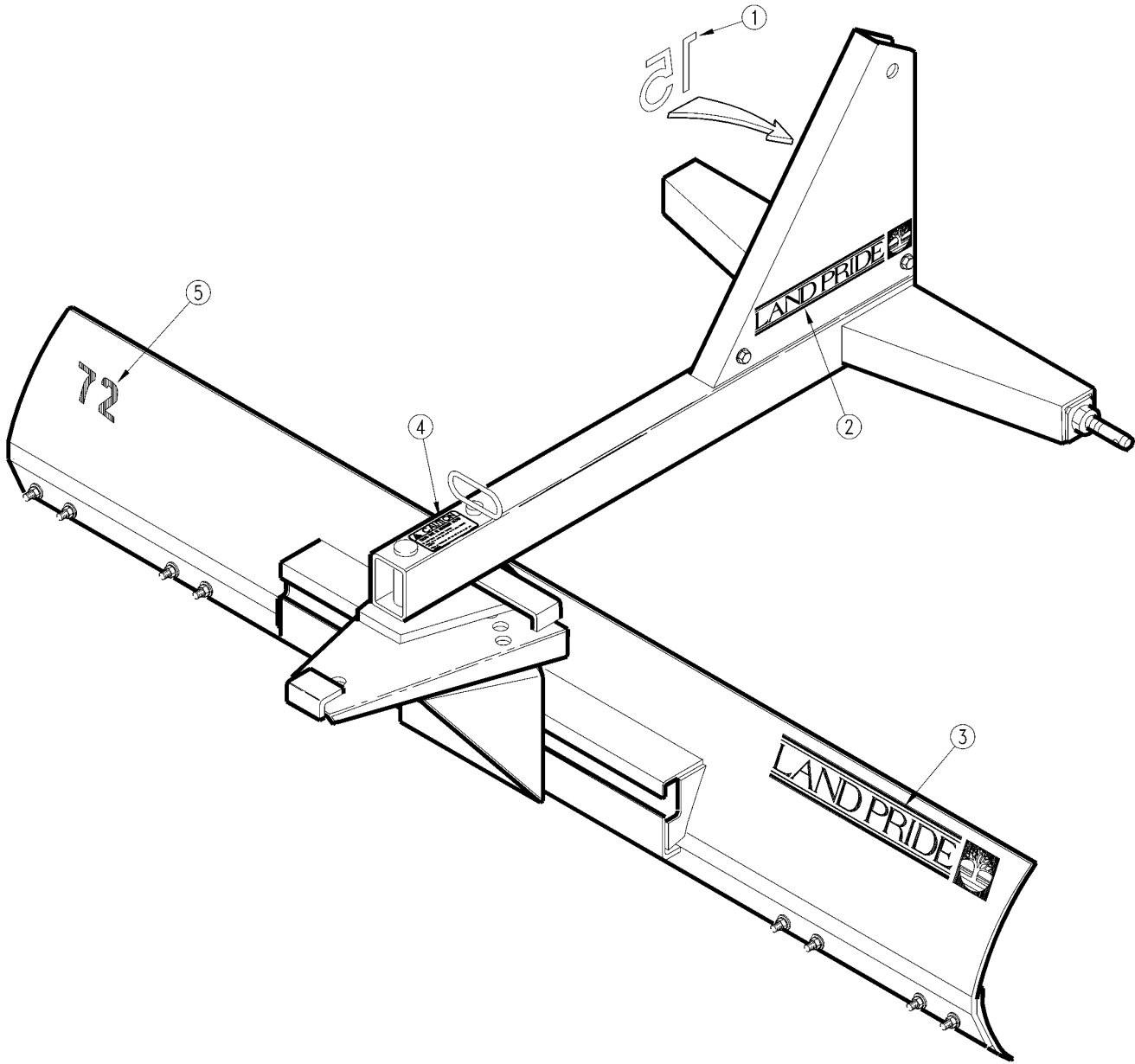
14940

Blade (S/N 106400+)**Applies to RBT1560, RBT1572, RBT1584**

Ref	Part No.	Part Description	Comments	Revision
	dwg14940	Drawing Image Number		
1.	301-115A	15-5' BLADE ASSEMBLY	Includes items 2 through 16	
1.	301-116A	15-6' BLADE ASSEMBLY	Includes items 2 through 16	
1.	301-117A	15-7' BLADE ASSEMBLY	Includes items 2 through 16	
2.	803-053C	NUT HEX SLOTTED 3/4-16		
3.	805-017C	PIN COTTER 3/16 X 1 3/4 PLT		
4.	301-139D	PIVOT CAP		
5.	301-355D	5' -15 SERIES MOLDBOARD	S/N 633207+	
5.	N/A	5'-15 SERIES BLADE PANEL	S/N 633206-	
5.	301-356D	6' -15 SERIES MOLDBOARD	S/N 633207+	
5.	301-131D	6'-15 SERIES BLADE PANEL	S/N 633206-	
5.	301-357D	7' -15 SERIES MOLDBOARD	S/N 633207+	
5.	301-132D	7'-15 SERIES BLADE PANEL	S/N 633206-	
6.	802-214C	RHSNB 1/2-13X1 1/4 GR5		
7.	802-206C	PLOW 5/8-11X1 3/4 GR5		
8.	802-236C	PLOW 5/8-11X1 1/2 GR5		
9.	820-079C	GRADER BLADE 1/2 X 6 X 71 1/2		
9.	820-041C	GRADER BLADE 1/2 X 6 X 59 1/2		
9.	820-046C	GRADER BLADE 1/2 X 6 X 83 1/2		
10.	804-022C	WASHER LOCK SPRING 5/8 PLT		
11.	803-021C	NUT HEX 5/8-11 PLT		
12.	804-021C	WASHER FLAT 5/8 SAE PLT	(S/N 307724+)	Rev. 2
12.	804-019C	WASHER FLAT 5/8 USS PLT	(S/N 307723-)	Rev 1; Use up stock
13.	301-308H	15 BLADE MOUNT WELDMENT	S/N 633207+	
13.	301-113H	BLADE MOUNT WELDMENT	Obsolete (S/N 633206-)	
14.	804-017C	WASHER FLAT 1/2 USS PLT		
15.	804-015C	WASHER LOCK SPRING 1/2 PLT		
16.	803-020C	NUT HEX 1/2-13 PLT		
17.	803-304C	NUT HEX WHIZ 5/8-11 PLT	S/N 815206+	
17.	803-263C	NUT HEX FLANGE LOCK 5/8-11 PLT	S/N 815205-	

Decal Placement (S/N 106399-)

Applies to RBT1560, RBT1572, RBT1584



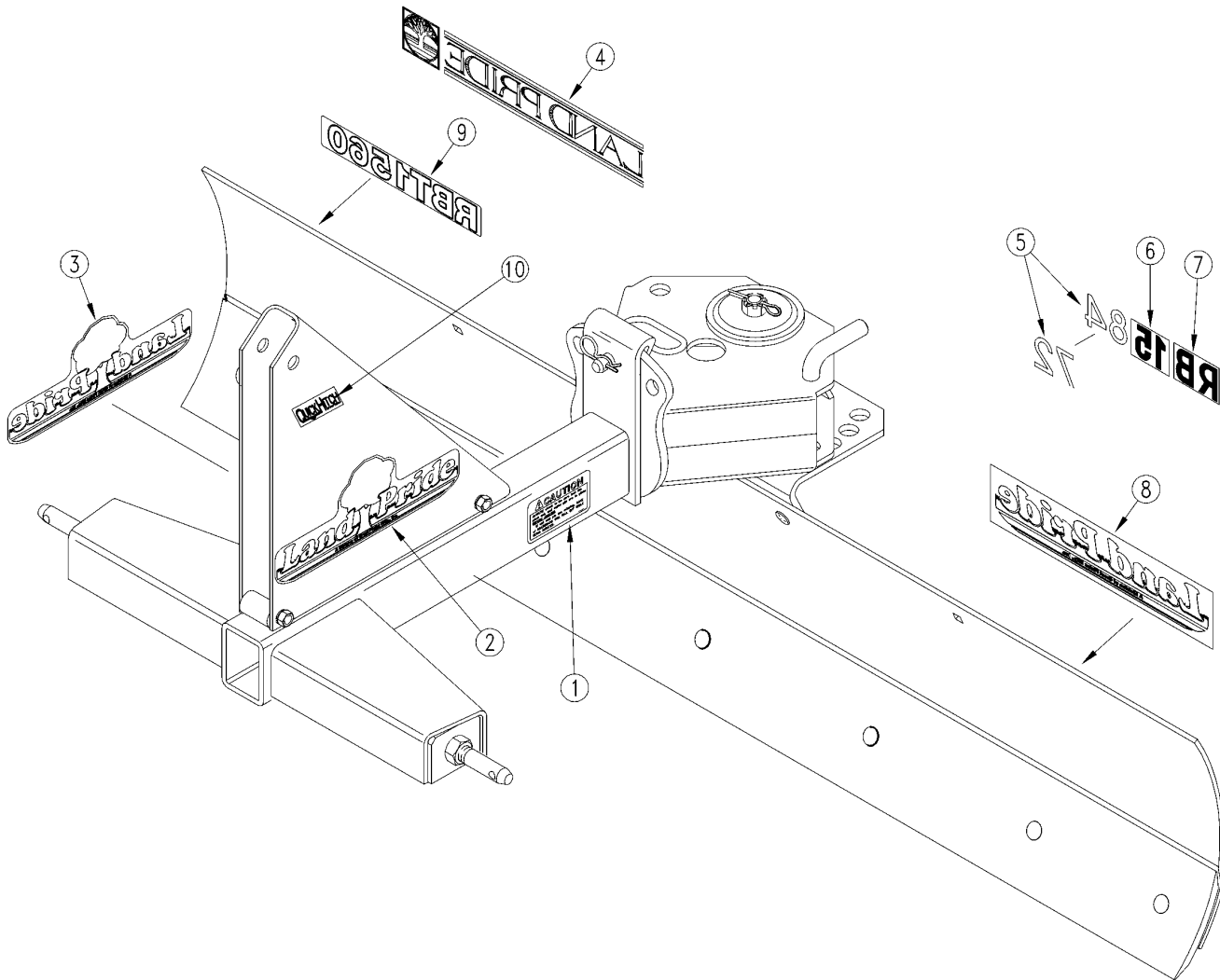
Decal Placement (S/N 106399-)

Applies to RBT1560, RBT1572, RBT1584

Ref	Part No.	Part Description	Comments	Revision
	Dwg 15143	Drawing Image Number		
1.	818-084C	DECAL 15 SERIES LP - BLACK	Obsolete	
2.	818-164C	LP LOGO SMALL GREEN		
3.	818-163C	LP LOGO LARGE BUCKSKIN		
4.	818-202C	DECAL CAUTION FALL MBOARD/RAKE		
5.	818-109C	DECAL 72 LP - BUCKSKIN	Obsolete	
5.	818-111C	DECAL 84 LP -BUCKSKIN		

Decal Placement (S/N 106400+)

Applies to RBT1560, RBT1572, RBT1584



Decal Placement (S/N 106400+)**Applies to RBT1560, RBT1572, RBT1584**

Ref	Part No.	Part Description	Comments	Revision
	Dwg 17576	Drawing Image Number		
1.	818-202C	DECAL CAUTION FALL MBOARD/RAKE		
2.	818-891C	RPBY 838-962C	(S/N 252248+) Beige Unit	Rev. 3 not compat. w/Rev. 2
2.	838-962C	DECAL LP 13" W/TREE BROWN/GOLD	Orange Unit	
2.	818-164C	LP LOGO SMALL GREEN	(S/N _____ <-> 252247)	Rev. 2
2.	818-084C	DECAL 15 SERIES LP - BLACK	(S/N _____-) Obsolete	Rev 1; Use up stock
3.	818-164C	LP LOGO SMALL GREEN	(S/N 252247-)	
4.	818-163C	LP LOGO LARGE BUCKSKIN	(S/N 252247-)	
5.	818-109C	DECAL 72 LP - BUCKSKIN	(S/N 252247-) Obsolete	
5.	818-111C	DECAL 84 LP -BUCKSKIN	(S/N 252247-)	
6.	818-101C	DECAL 15 SERIES LP - BUCKSKIN	(S/N 252247-) Obsolete	
7.	818-726C	DECAL RB LAND PRIDE BUCKSKIN	(S/N 252247-)	
8.	838-966C	DECAL LANDPRIDE 22" BROWN/GOLD	(S/N _____+)	
8.	818-902C	RPBY 838-965C	(S/N 252248 to _____)	
8.	838-965C	DECAL LANDPRIDE 16" BROWN/GOLD		
9.	838-051C	DECAL RBT1584-BEIGE	(S/N 252248+)	
9.	838-050C	DECAL RBT1572-BEIGE	(S/N 252248+)	
9.	838-049C	DECAL RBT1560-BEIGE	(S/N 252248+) Obsolete	
10.	838-517C	DECAL QUICK HITCH SYSTEM		

Touch-up Paints - LP

Applies to RBT1560, RBT1572, RBT1584

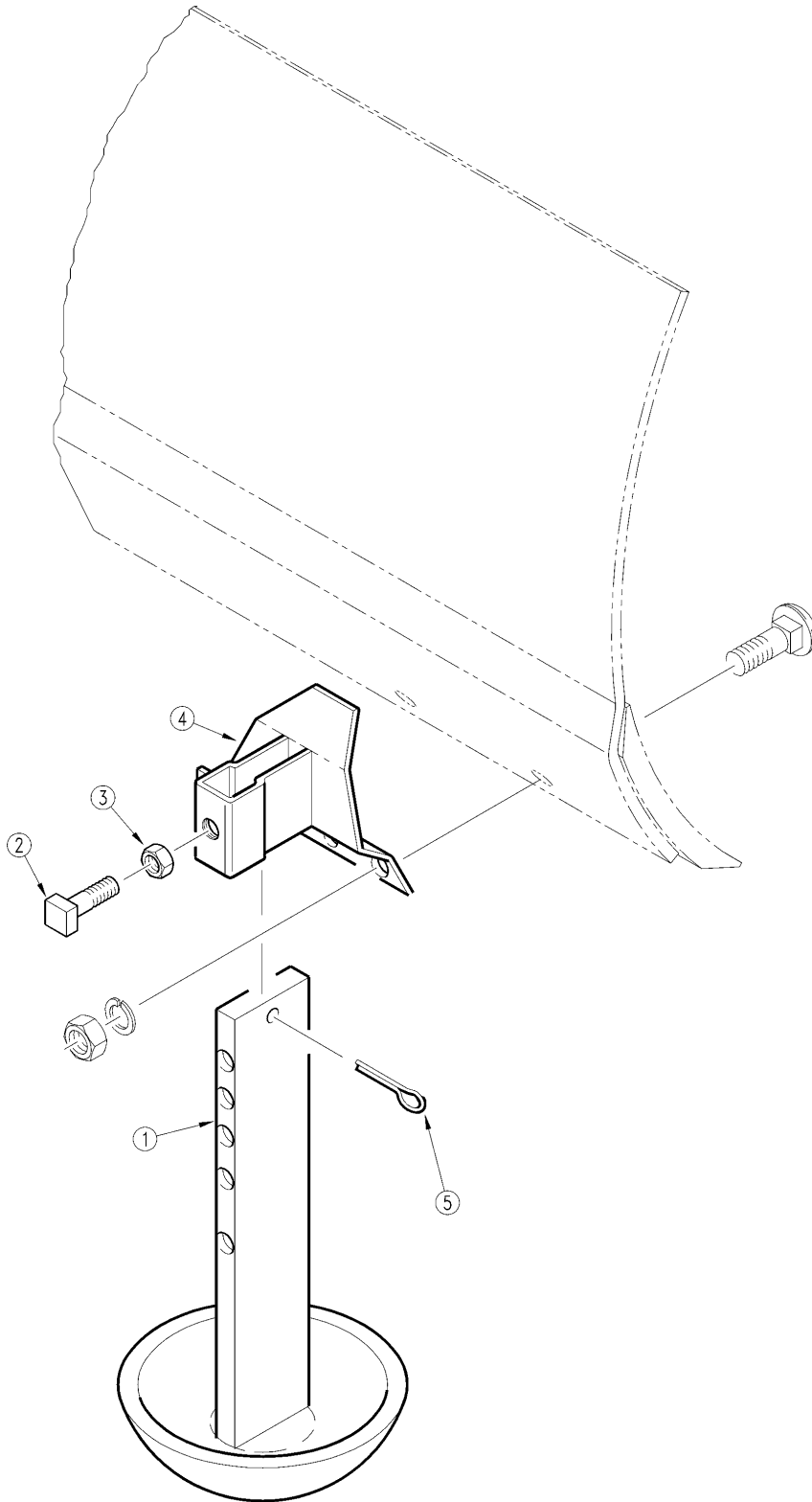
No diagram associated with this Parts List

Touch-up Paints - LP**Applies to RBT1560, RBT1572, RBT1584**

Ref	Part No.	Part Description	Comments	Revision
1.	821-011C	LP BEIGE SPRAY CAN	Spray can	
1.	821-011CTU	LP BEIGE TOUCH-UP 5OZ	Touch-up bottle with brush	
1.	821-011CQT	LP BEIGE QUART	Quart can	
1.	821-011CGL	LP BEIGE GALLON	Gallon can	
2.	821-070C	GLOSS BLACK SPRAY CAN	Spray can	
2.	821-070CTU	GLOSS BLACK TOUCH-UP 5OZ	Touch-up bottle with brush	
2.	821-070CQT	GLOSS BLACK QUART	Quart can	
2.	821-070CGL	GLOSS BLACK GALLON	Gallon can	
3.	821-054C	MED. RED SPRAY TRCK/CTR	Spray can	
3.	821-054CTU	MED RED TOUCH-UP 5OZ	Touch-up bottle with brush	
3.	821-054CQT	MED RED QUART	Quart can	
3.	821-054CGL	MED RED GALLON	Gallon can	
4.	821-058C	GREEN SPRAY CUTTERS	Spray can	
4.	821-058CTU	GREEN TOUCH-UP 5OZ	Touch-up bottle with brush	
4.	821-058CQT	GREEN QUART	Quart can	
4.	821-058CGL	GREEN GALLON	Gallon can	
5.	821-066C	ORANGE SPRAY CAN	Spray can	
5.	821-066CTU	ORANGE TOUCH-UP 5OZ	Touch-up bottle with brush	
5.	821-066CQT	ORANGE QUART	Quart can	
5.	821-066CGL	ORANGE GALLON	Gallon can	
6.	821-067C	BLUE SPRAY CAN	Spray can	
6.	821-067CTU	BLUE TOUCH-UP 5OZ	Touch-up bottle with brush	
6.	821-067CQT	BLUE QUART	Quart can	
6.	821-067CGL	BLUE GALLON	Gallon can	
7.	821-080C	PAINT ALUMINUM/ZINC SPRAY CAN	Spray can	
7.	821-080CTU	PAINT ALUMINUM/ZINC TOUCH UP	Touch-up bottle with brush	
7.	821-080CQT	PAINT ALUMINUM/ZINC QUART	Quart can	
7.	821-080CGL	PAINT ALUMINUM/ZINC GALLON	Gallon can	

Skid Shoes

Applies to RBT1560, RBT1572, RBT1584



13541

Skid Shoes

Applies to RBT1560, RBT1572, RBT1584

Ref	Part No.	Part Description	Comments	Revision
	dwg13541	Drawing Image Number		
	301-330A	SKID SHOE ASSEMBLY	RB(T)1560, RB(T)1572 & RB(T)1584 S/N 633207+ (Includes 2 of items 1-5)	
	301-012A	SKID SHOE ASSEMBLY	RB(T)1560 & RB(T)1584 S/N 633206- (Includes 2 of items 1-5)	
	301-138A	1572 SKID SHOE ASSY	RB(T)1572 S/N 633206- (Includes 2 of items 1-5)	
		*		
1.	301-013H	SKID SHOE		
2.	801-046C	SCRW SET SQ HD1/2-13X2 GR5 PLT		
3.	803-020C	NUT HEX 1/2-13 PLT		
4.	301-331H	SKID SHOE MOUNT WELD ASSY	RB(T)1560, RB(T)1572 & RB(T)1584 S/N 633207+	
4.	301-014H	SKID SHOE MOUNT WELDMENT	RB(T)1560 & RB(T)1584 S/N 633206-	
4.	301-137H	1572 SKID SHOE MOUNT WELD ASSY	RB(T)1572 S/N 633206-	
5.	805-020C	PIN COTTER 1/4 X 1 PLT		



Part Number Index

The Part Number Index is a numeric index of all part numbers included in this manual. The index shows what page(s) the part is used on.

Part Number	Page	Part Number	Page	Part Number	Page	Part Number	Page
*	19, 33, 47	301-138A	33, 47	805-161C	7, 21, 35	Dwg 14935	7
300-003H	7	301-139D	25, 39	805-202C	35	Dwg 14936	11
300-008D	9	301-142H	11	805-213C	21, 35	Dwg 14937	21
300-053H	23, 37	301-145A	11	805-214C	7, 11	Dwg 14938	25
300-054H	9	301-146A	11	818-083C	13, 15	Dwg 14939	35
300-060H	23, 37	301-151D	11	818-084C	27, 29, 41, 43	Dwg 15143	41
300-063H	23, 37	301-307H	11	818-100C	15	Dwg 17576	43
300-064A	23	301-308H	25, 39	818-101C	25, 29, 43	Dwg 17582	15
300-105H	21	301-330A	33, 47	818-104C	13, 15	Dwg 17583	29
300-105H81	21	301-331H	33, 47	818-107C	13, 15, 25, 29	Dwg 39260	19
300-105H82	21	301-353D	11	818-109C	25, 27, 29, 41, 43	dwg10327	9
300-109A	21	301-354D	11	818-111C	25, 27, 29, 41, 43	dwg10330	37
300-120B	21	301-355D	25, 39	818-163C	13, 15, 25, 27, 29, 41, 43	dwg13541	33, 47
300-124S	37	301-356D	25, 39	818-164C	13, 15, 27, 29, 41, 43	dwg14629	23
300-128H	35	301-357D	25, 39			dwg14940	39
300-128H82	35	308-339D	21, 35			N/A	9, 13, 15, 23, 25, 29, 37, 39
300-130H	35	308-400D	21	818-202C	15, 27, 29, 41, 43		
300-130H82	35	326-329D	7	818-726C	15, 25, 29, 43		
300-131H	7	801-046C	33, 47	818-890C	15		
300-131H81	7	802-066C	21, 35	818-891C	29, 43		
300-131H82	7	802-099C	21, 23, 35, 37	818-902C	15, 29, 43		
300-132H	7	802-204C	35	818-971C	15		
300-134B	7	802-206C	23, 25, 37, 39	818-972C	15		
300-135A	7	802-214C	9, 11, 25, 39	818-973C	29		
300-137A	7, 9	802-226C	7	818-974C	29		
300-171H	21, 35	802-236C	25, 39	818-975C	29		
300-190D	21, 35, 37	802-331C	11	820-030C	9, 11		
300-190D81	21	802-383C	7	820-031C	9, 11		
300-190D82	21, 35	802-417C	19	820-041C	25, 39		
300-272H	19	802-622C	19	820-043C	23, 37		
300-272H82	19	803-020C	7, 9, 11, 21, 23, 25, 33, 35, 37, 39, 47	820-046C	23, 25, 37, 39		
300-273H	19			820-079C	25, 37, 39		
300-273H82	19	803-021C	23, 25, 37, 39	821-011C	17, 31, 45		
300-274A	19	803-026C	35	821-011CGL	17, 31, 45		
300-274A82	19	803-029C	23, 37	821-011CQT	17, 31, 45		
300-275H	7	803-029C	23, 37	821-011CTU	17, 31, 45		
300-299D	21	803-031C	37	821-054C	17, 31, 45		
300-328D	35	803-037C	11, 25	821-054CGL	17, 31, 45		
300-337D	7, 11	803-038C	37	821-054CQT	17, 31, 45		
300-370D	7	803-038C	37	821-054CTU	17, 31, 45		
300-370D81	7	803-053C	25, 39	821-058C	17, 31, 45		
300-370D82	7	803-149C	19	821-058CGL	17, 31, 45		
300-522D	7	803-169C	11, 25	821-058CQT	17, 31, 45		
300-522D81	7	803-185C	11	821-058CTU	17, 31, 45		
300-522D82	7	803-209C	19	821-066C	17, 31, 45		
301-001A	9	803-263C	25, 39	821-066CGL	17, 31, 45		
301-002H	9	803-299C	7, 21, 35	821-066CQT	17, 31, 45		
301-003A	9	803-304C	25, 39	821-066CTU	17, 31, 45		
301-003D	11	803-349C	19	821-067C	17, 31, 45		
301-004D	11	804-015C	7, 11, 21, 23, 25, 35, 37, 39	821-067CGL	17, 31, 45		
301-004H	9			821-067CQT	17, 31, 45		
301-005A	23	804-016C	11	821-067CTU	17, 31, 45		
301-008A	23	804-017C	25, 39	821-070C	17, 31, 45		
301-012A	33, 47	804-019C	25, 39	821-070CGL	17, 31, 45		
301-013H	33, 47	804-021C	25, 39	821-070CQT	17, 31, 45		
301-014H	33, 47	804-022C	23, 25, 37, 39	821-070CTU	17, 31, 45		
301-065D	37	804-025C	35	821-080C	17, 31, 45		
301-086H	37	804-027C	37	821-080CGL	17, 31, 45		
301-088H	37	804-028C	37	821-080CQT	17, 31, 45		
301-088H	37	804-037C	19	821-080CTU	17, 31, 45		
301-089H	37	804-055C	23, 37	838-049C	43		
301-090H	37	804-065C	9	838-050C	43		
301-113H	25, 39	805-016C	23, 37	838-051C	43		
301-115A	25, 39	805-017C	11, 25, 39	838-517C	15, 29, 43		
301-116A	25, 39	805-020C	33, 47	838-962C	29, 43		
301-117A	25, 39	805-032C	35	838-963C	15		
301-121A	15	805-065C	7, 21, 35	838-965C	15, 29, 43		
301-122A	15	805-111C	7, 9, 19, 21, 23, 35, 37	838-966C	43		
301-131D	25, 39			Dwg 10328	13		
301-132D	25, 39	805-116C	9	Dwg 10334	27		
301-137H	33, 47	805-142C	35				

This Page Intentionally Left Blank



Great Plains Manufacturing, Inc.

Corporate Office: P.O. Box 5060
Salina, Kansas 67402-5060 USA

www.landpride.com
